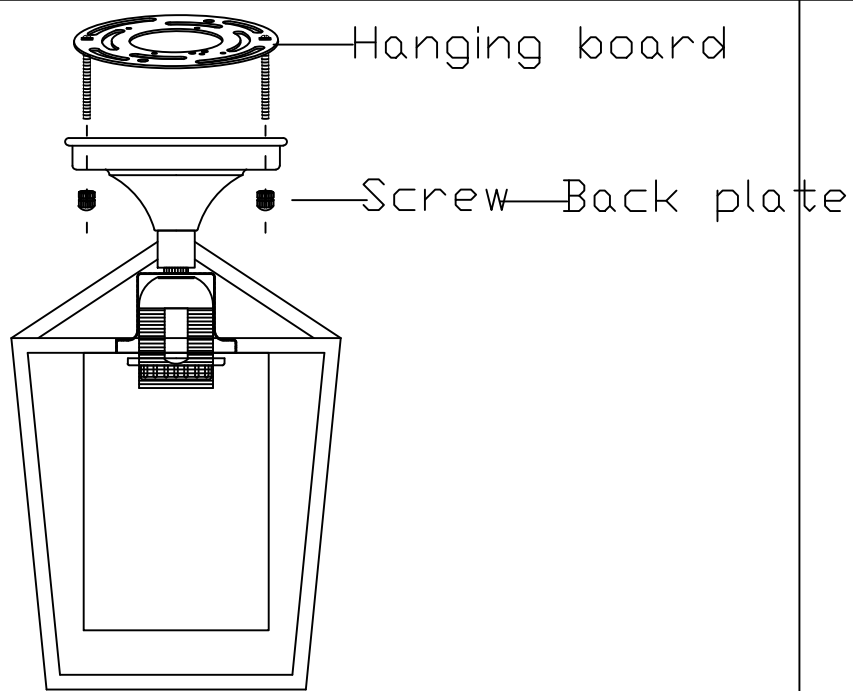
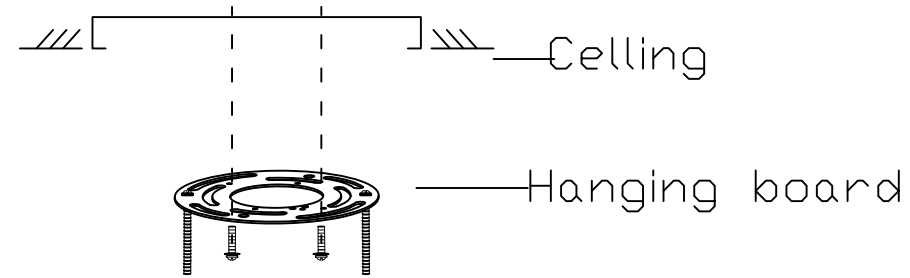


①



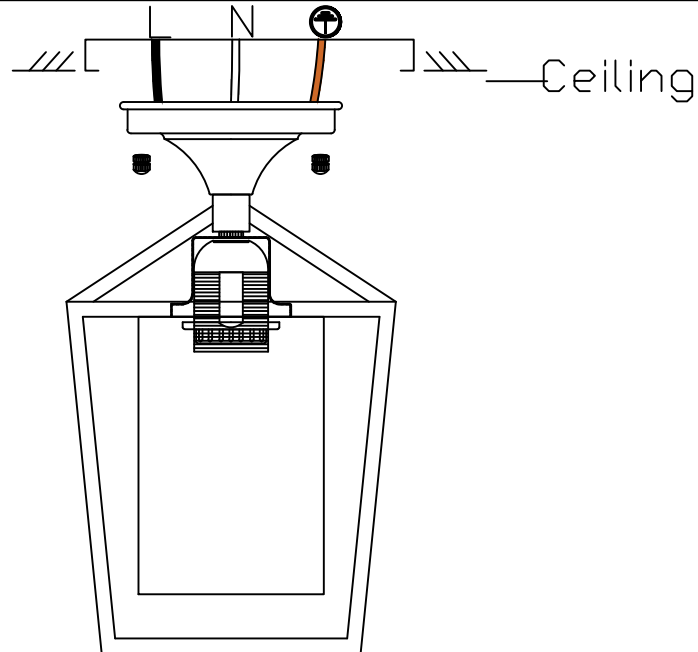
1. Remove the screws from the back plate to take out the hanging board

②



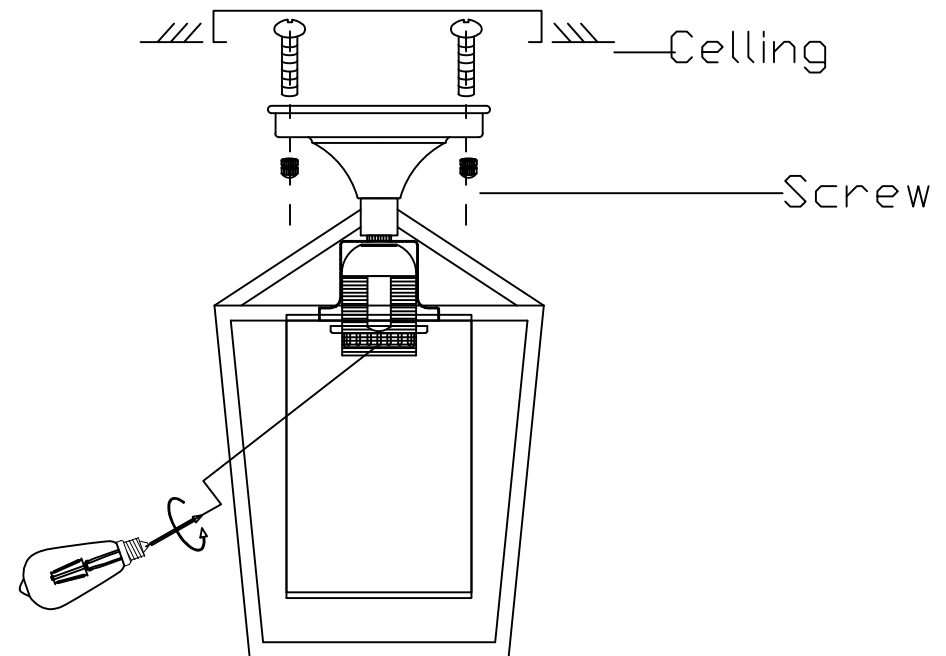
2. Install this hanging board through the junction box on ceiling.

③



3. Connect the two white wires with wire "Neutral".  
Connect the two black wires with wire "Live".  
Connect the Earth wire.

④



4. Install the back plate to the hanging board by using the screws.