

INSTRUCTION MANUAL

ASSEMBLY INSTRUCTIONS

Carefully unpack all the components and verify that all the necessary parts are included as listed in the packaging.

Identify each component and refer to the provided assembly diagram or step-by-step instructions.

Assemble the furniture in the order specified to ensure proper alignment and fit.

Use the provided tools or recommended tools for assembly. Do not use excessive force when tightening screws or bolts.

IF ANY DIFFICULTIES ARISE DURING ASSEMBLY, CONSULT THE TROUBLESHOOTING SECTION OR CONTACT OUR CUSTOMER SUPPORT.

Tools Required

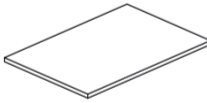
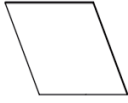
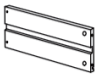
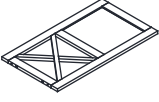
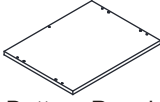


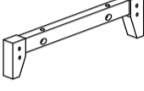


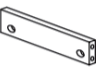







Wrench tool


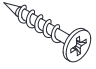




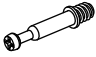






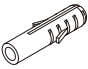
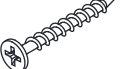
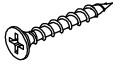
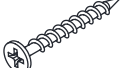


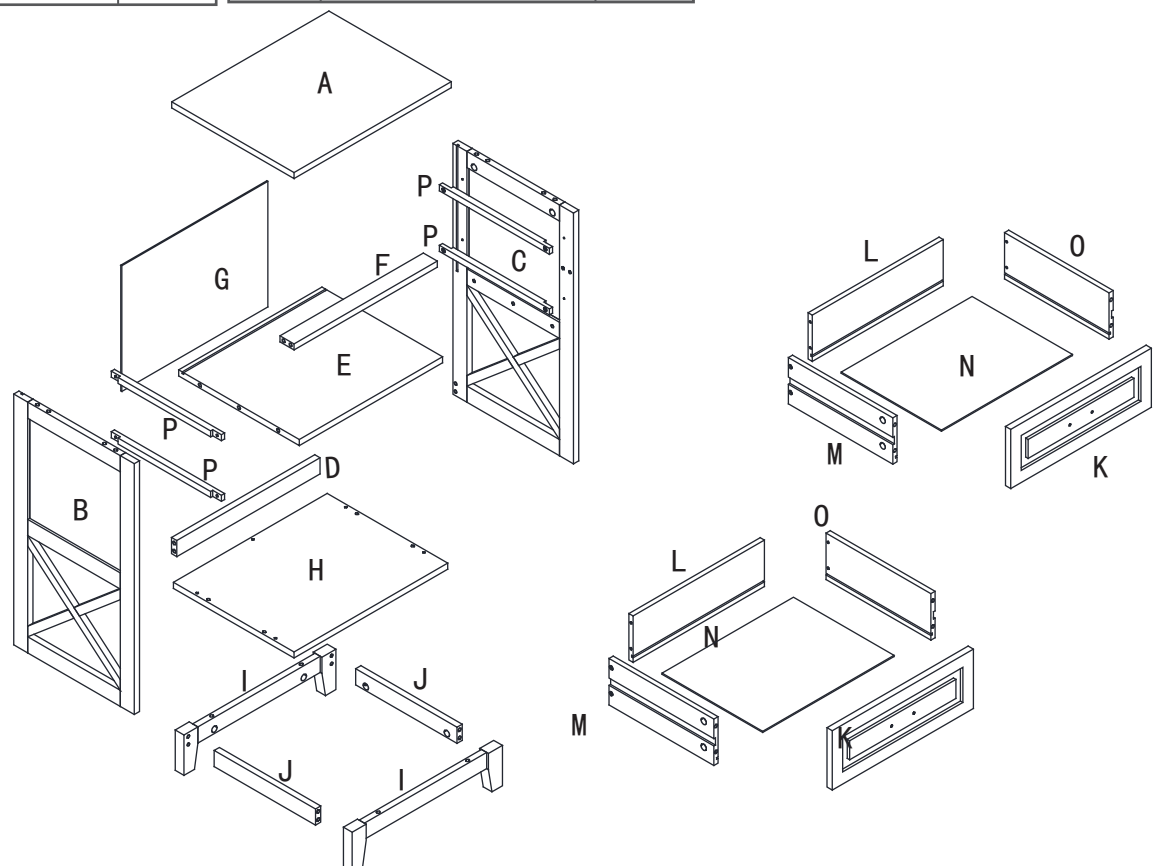
Wrench tool

Board Parts List

NO.	PICTURE	QTY	NO.	PICTURE	QTY	NO.	PICTURE	QTY
A	 Cabinet Top Panel	1	G	 Back Panel	1	M	 Drawer Left Side Panel	2
B	 Left Side Panel	1	H	 Bottom Panel	1	N	 Drawer Bottom Panel	2
C	 Right Side Panel	1	I	 Foot	2	O	 Drawer Right Side Panel	2
D	 Back Rail	1	J	 Bottom Rail	2	P	 Support Rail	4
E	 Fixed Shelf	1	K	 Drawer Front Panel	2			
F	 Front Support Panel	1	L	 Drawer Back Panel	2			


Hardware parts List


NO.	PICTURE	QTY	NO.	PICTURE	QTY	NO.	PICTURE	QTY
1		2	7		8	13		2
2		4	8		2	14		4
3		28+1	9		2	15		2
4		28+1	10		4	16		4
5		18+1	11		2	17		5
6		8	12		2			

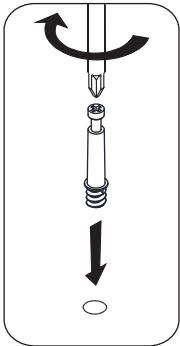
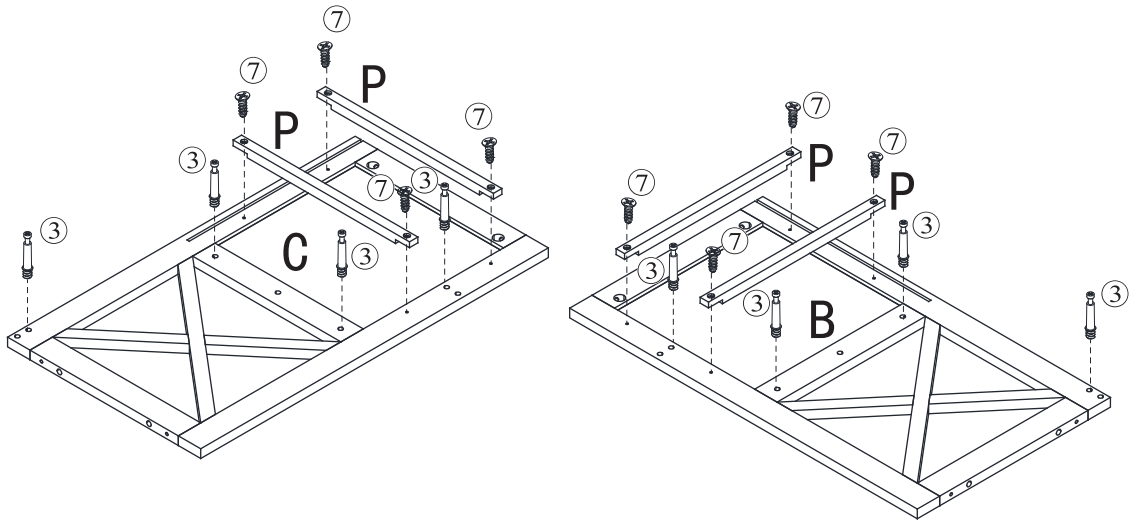


ASSEMBLY INSTRUCTIONS


STEP 1


	
Cam Bolt	
3	X8


	
Screw	
7	X8




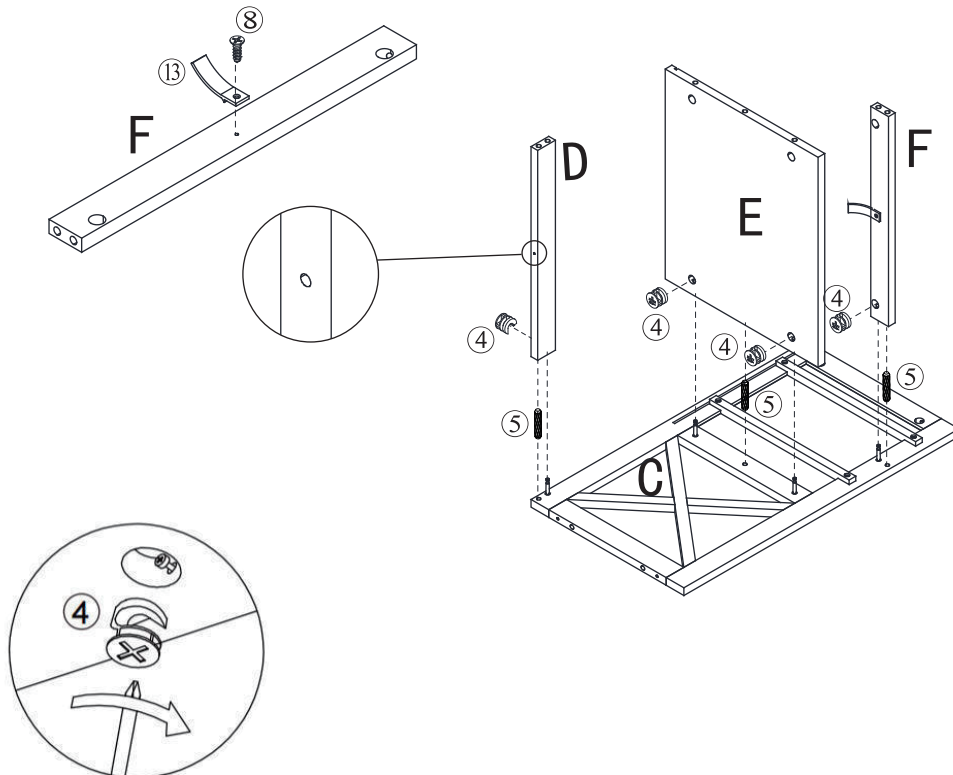
STEP 2

	
Cam Lock	
4	X4

	
Wooden Dowel	
5	X3



	
Screw	
8	X1

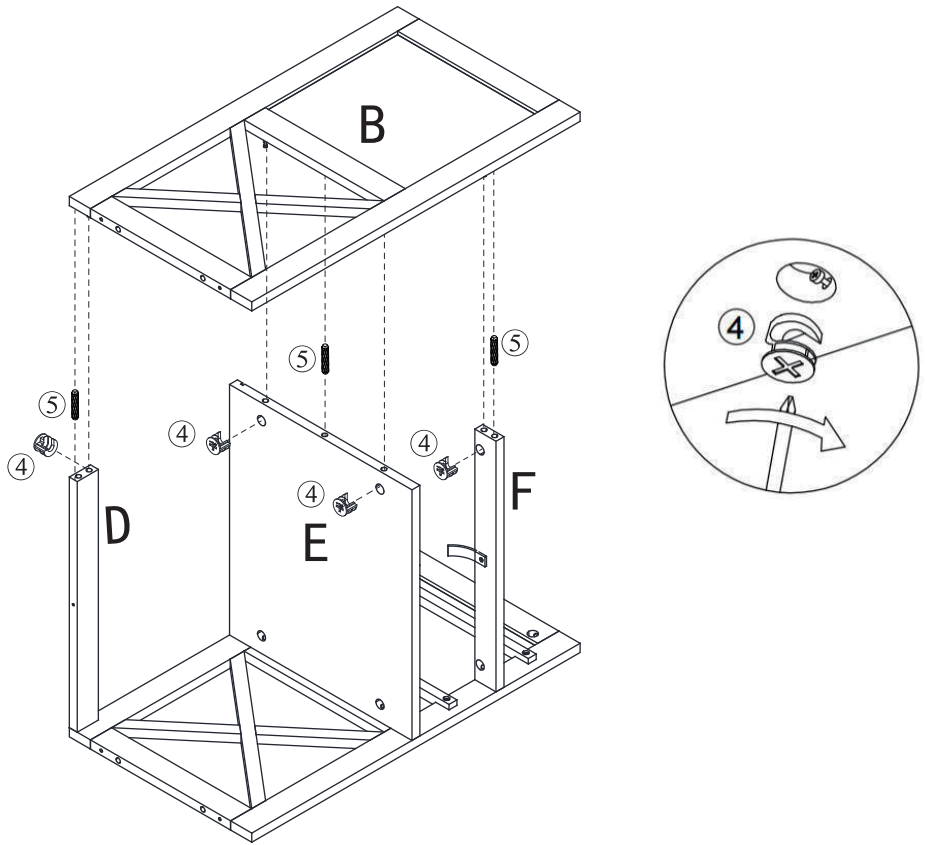
	
Drawer cards	
13	X1






ASSEMBLY INSTRUCTIONS

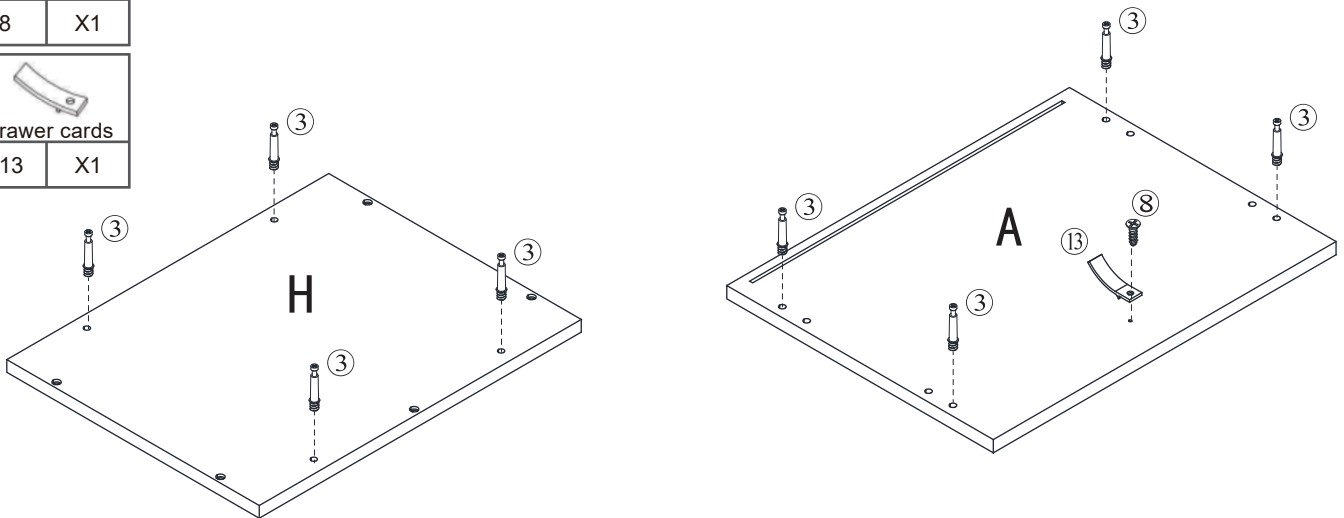
STEP 3

	
Cam Lock	
4	X4
	
Wooden Dowel	
5	X3




STEP 4


	
Cam Bolt	
3	X8
	
Screw	
8	X1
	
Drawer cards	
13	X1

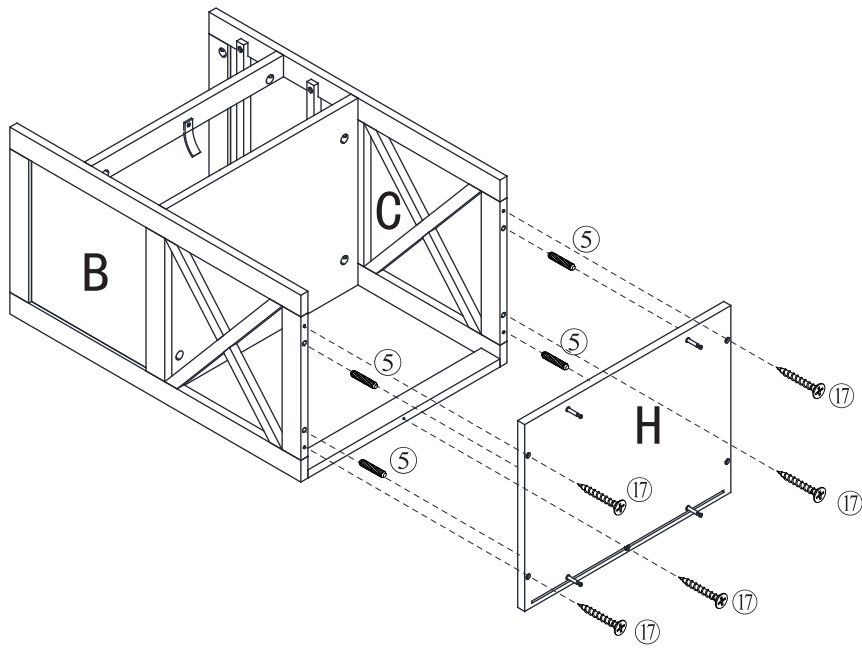


ASSEMBLY INSTRUCTIONS

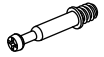
STEP 5


	
Wooden Dowel	
5	X4


	
Screw	
17	X5

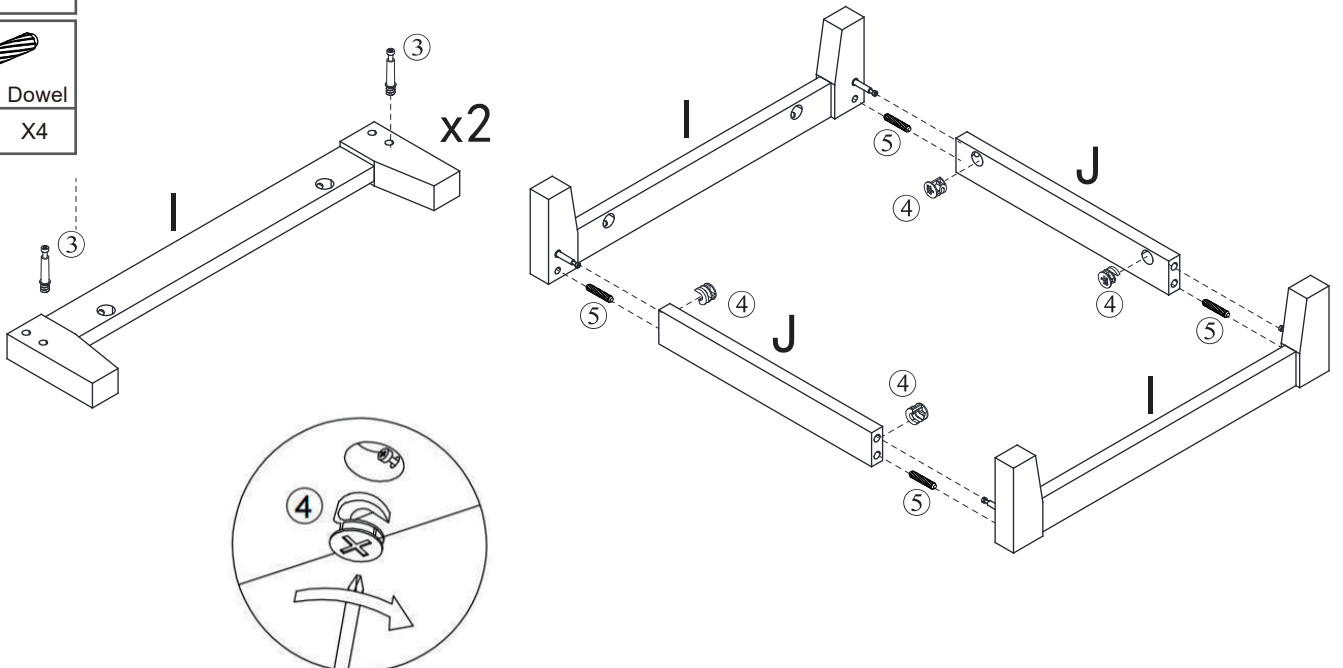


STEP 6

	
Cam Bolt	
3	X4


	
Cam Lock	
4	X4

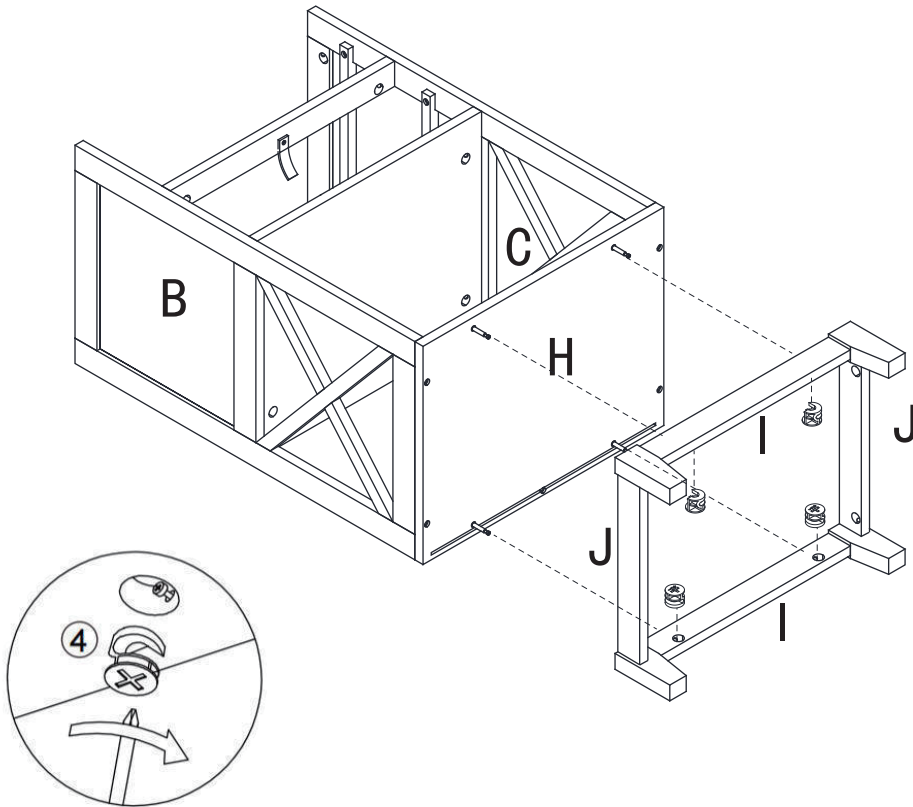
	
Wooden Dowel	
5	X4





ASSEMBLY INSTRUCTIONS

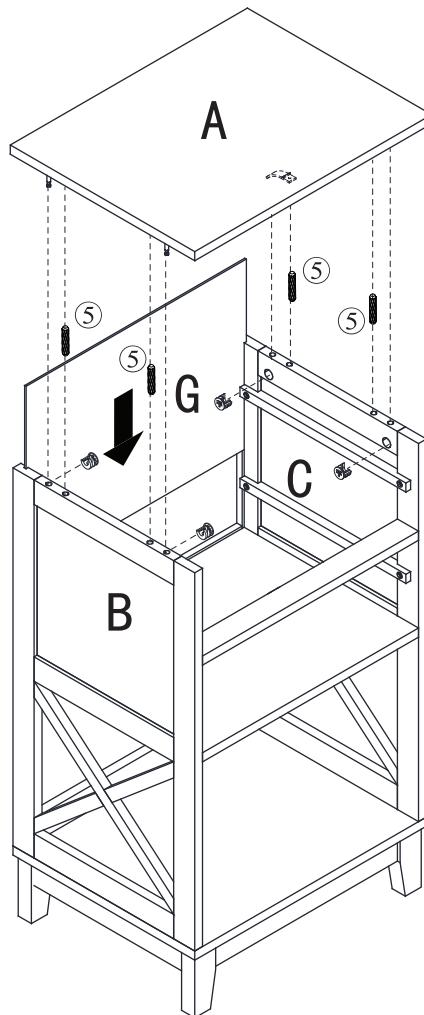
STEP 7

	
Cam Lock	
4	X4








STEP 8

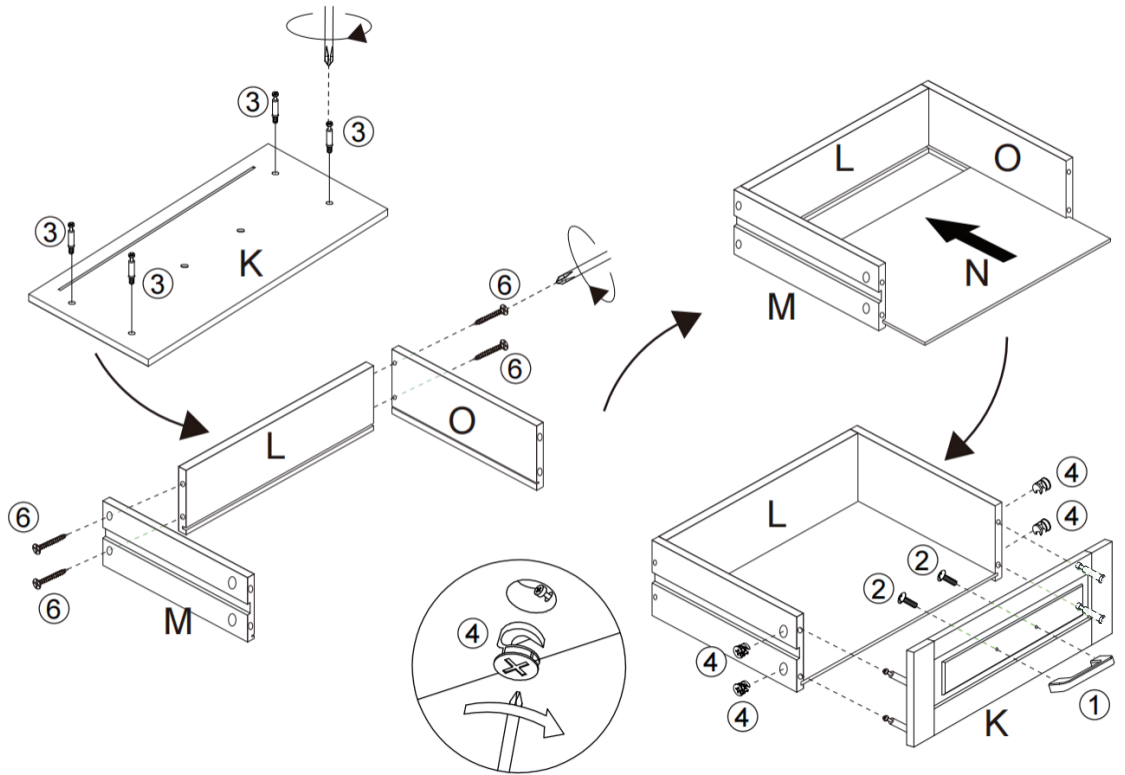
	
Cam Lock	
4	X4
	
Wooden Dowel	
5	X4



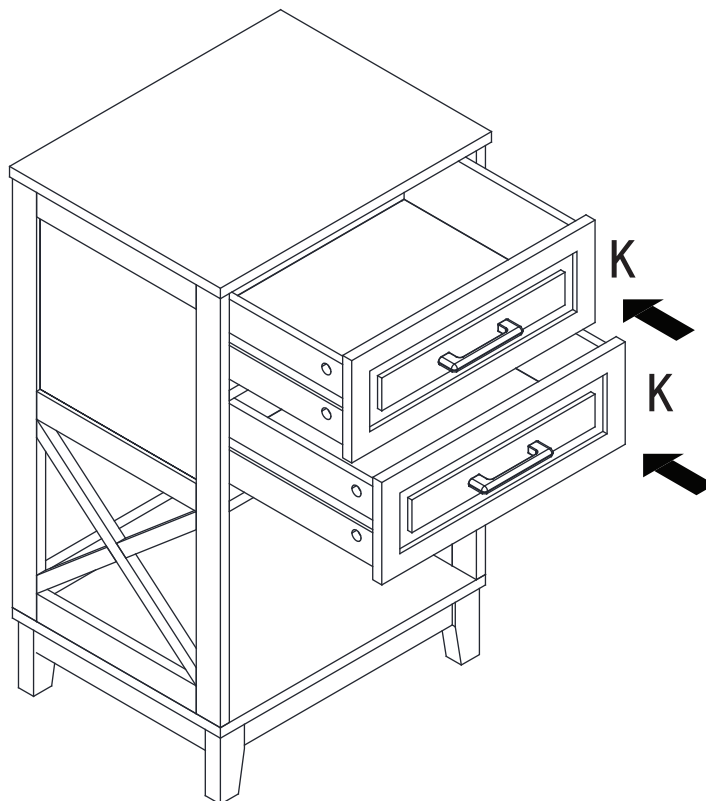
ASSEMBLY INSTRUCTIONS

STEP 9






	
Handle	
1	X2
	
Screw	
2	X4
	
Cam Bolt	
3	X8
	
Cam Lock	
4	X8
	
Screw	
6	X8

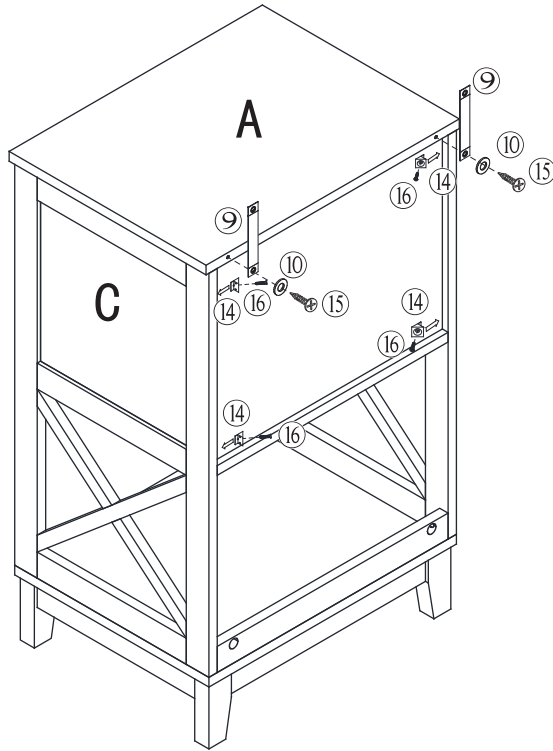


STEP 10






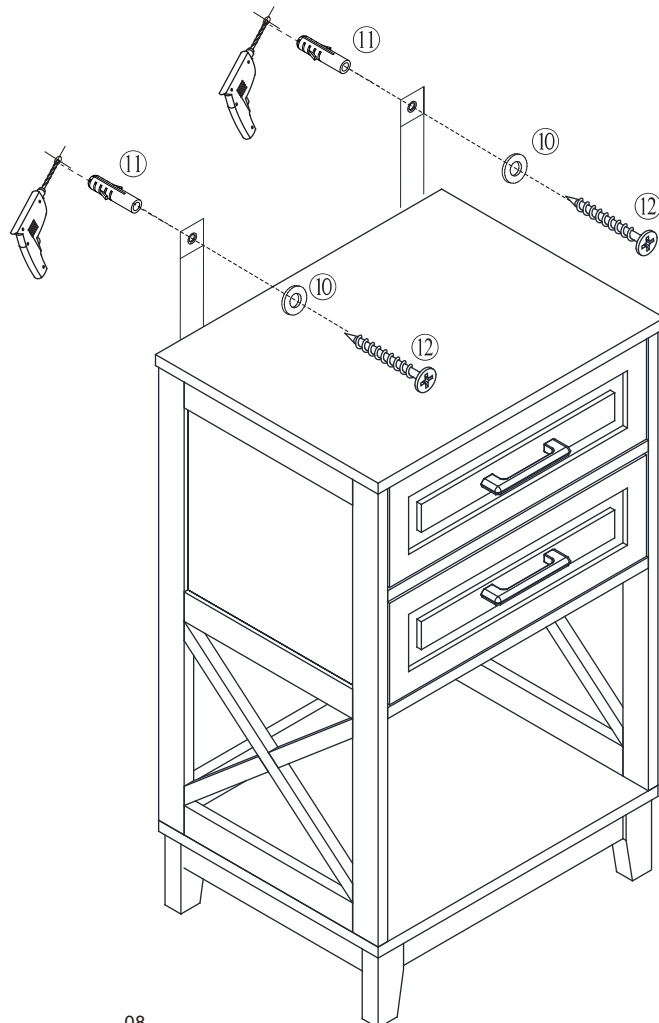
STEP 11

	
Fabric strip	
9	X2
	
Metal washer	
10	X2
	
Plastic Corner Support	
14	X4
	
Screw	
15	X2
	
Screw	
16	X4

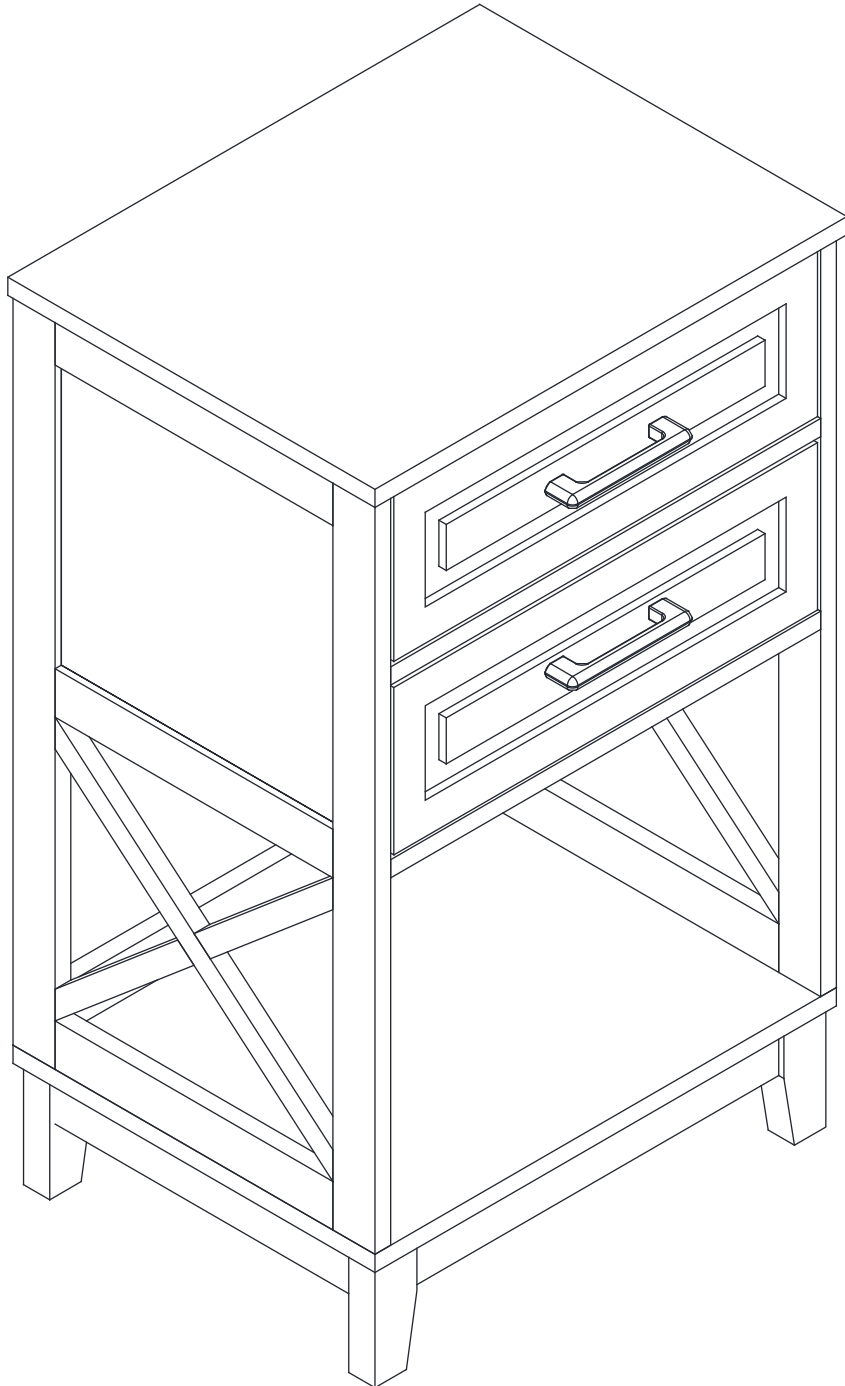


STEP 12

	
Metal washer	
10	X2
	
Plastic Expansion Bolt	
11	X2
	
Screw	
12	X2



STEP 13



MAINTENANCE AND CARE

Clean regularly using a soft brush or vacuum with a brush attachment. Avoid harsh chemicals or abrasive cleaners.

Wash with a hose or pressure washer on a low-pressure setting for heavy soiling. Rinse thoroughly afterward.

Ensure proper drying after cleaning or exposure to rain to prevent mold or mildew growth.

Protect from extreme weather by moving furniture to a covered area or using furniture covers or tarps.

Avoid dragging or placing heavy objects on the furniture to prevent damage.

Apply UV protection spray or furniture wax to prevent fading and damage from the sun.

Regularly inspect for wear, loose strands, or damage and address issues promptly.

WARRANTY INFORMATION

Warranty Coverage: Our warranty provides protection against manufacturing defects in materials and workmanship for a specified period from the date of purchase, as outlined in the accompanying warranty documentation.

Exclusions: The warranty does not cover damages resulting from misuse, negligence, accidents, normal wear and tear, unauthorized repairs or modifications, improper assembly, or failure to adhere to the care and maintenance guidelines provided.

Warranty Claim Process

To initiate a return on Amazon, please follow these steps:

- 1 Log into your Amazon account and go to the "Your Orders" section.
- 2 Locate the order containing the item you wish to return.
- 3 Contact our customer service for assistance in obtaining a prepaid return label.
- 4 **Once you receive the return label, securely affix it to the package.**
- 5 You can then choose to drop off the package at a designated carrier location or arrange for a pickup.
- 6 After we receive and inspect the returned product, we will initiate the refund process.
- 7 The refund will be credited back to the original payment method used during the purchase.
- 8 Typically, refunds are processed within 3-5 business days.