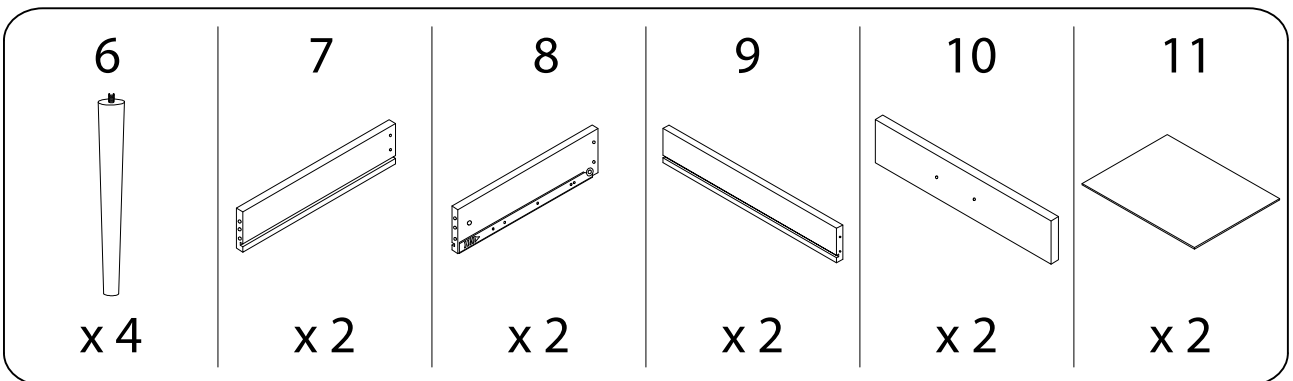
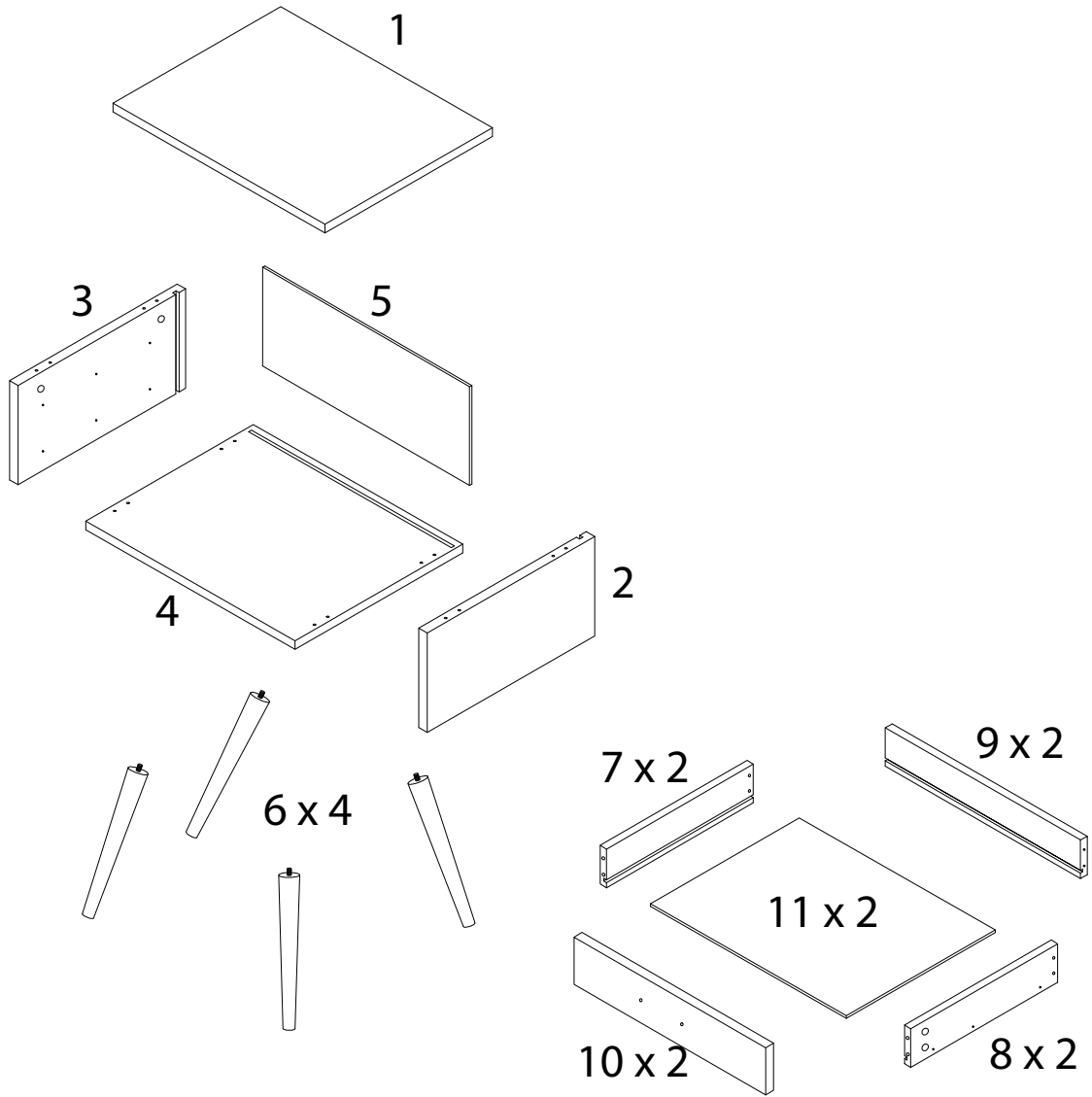
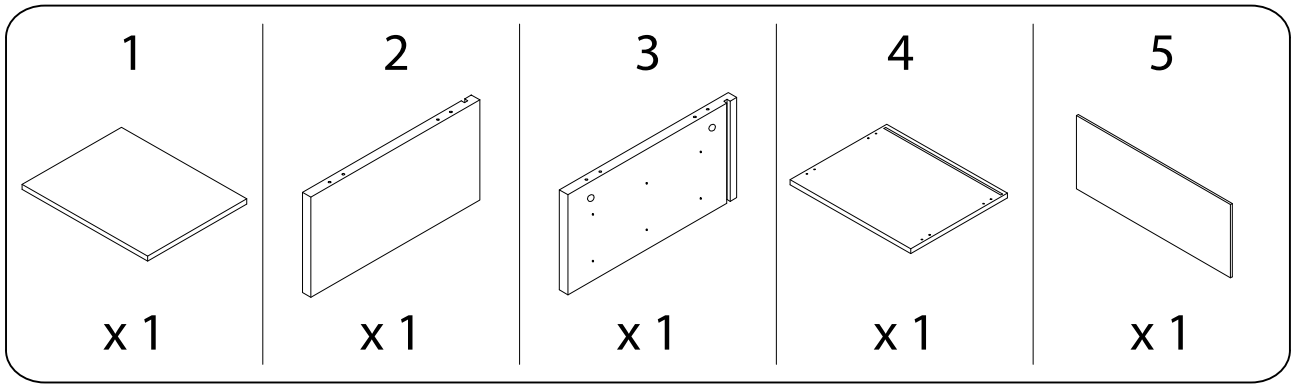
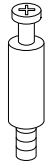


Assembly instructions for step 1/10:

- Tools:** A screwdriver is shown as the required tool. A power drill is shown with a diagonal line through it, indicating it is not to be used.
- Warning:** A warning triangle with an exclamation mark is positioned to the right of the tool icons.
- Time:** A clock icon is shown with the number "60'" below it, indicating a 60-minute assembly time.
- Personnel:** An icon of a person is shown with the number "2" below it, indicating that two people are required for assembly.
- Diagram:** A diagram shows a rectangular block being placed on a surface with a textured edge. A second diagram shows the block being pushed down, with a diagonal line through it and a double-headed arrow indicating the direction of force.

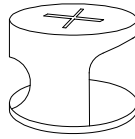


A



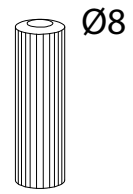
x 8

B



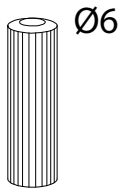
x 8

C



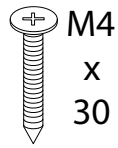
x 8

D



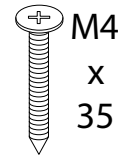
x 8

E



x 8

F



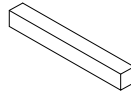
x 4

G



x 4

H



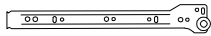
x 2

I



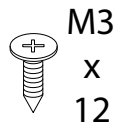
x 2

J



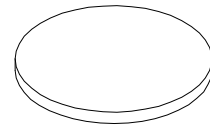
x 2

K



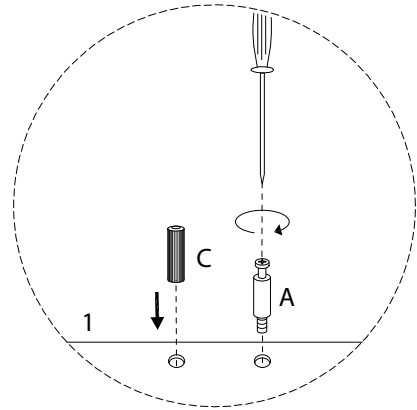
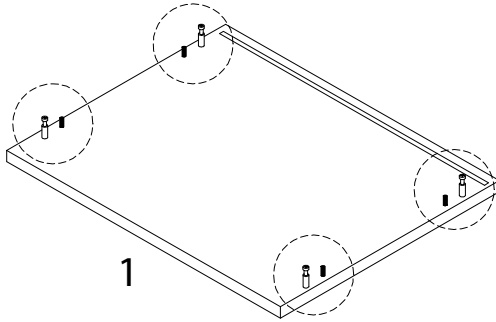
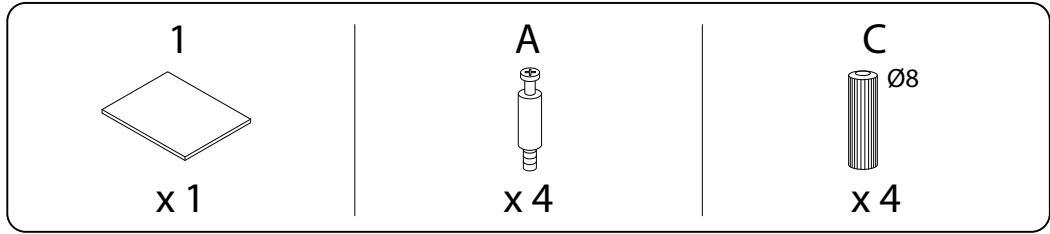
x 12

L

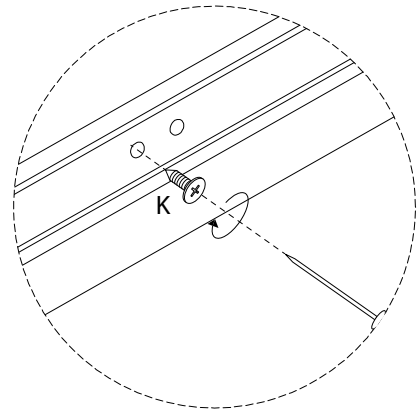
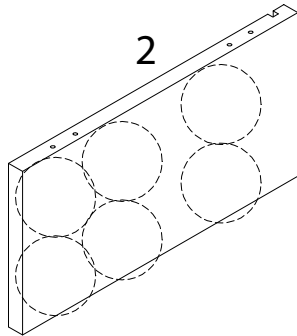
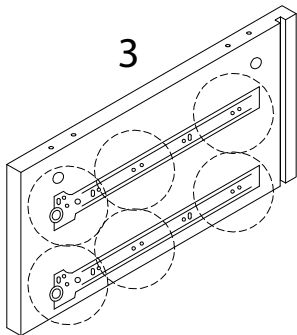
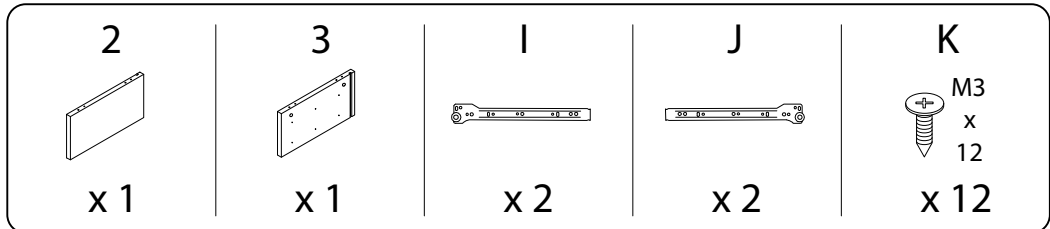


x 4

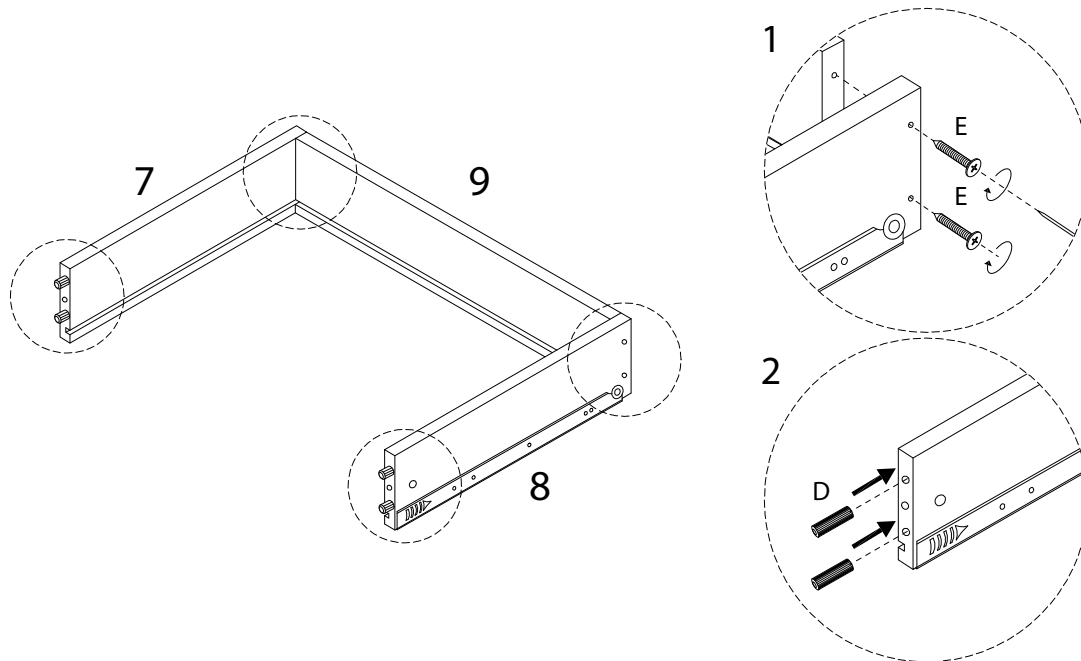
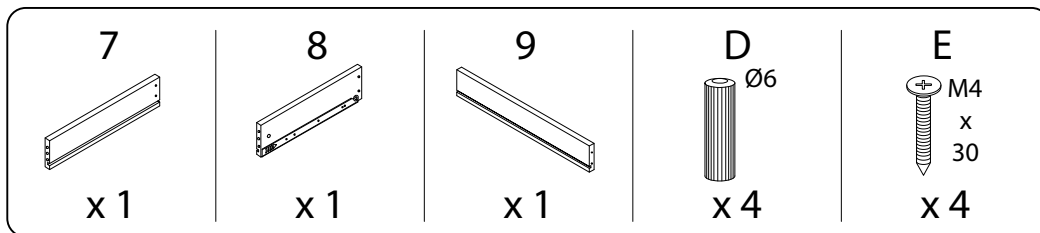
1



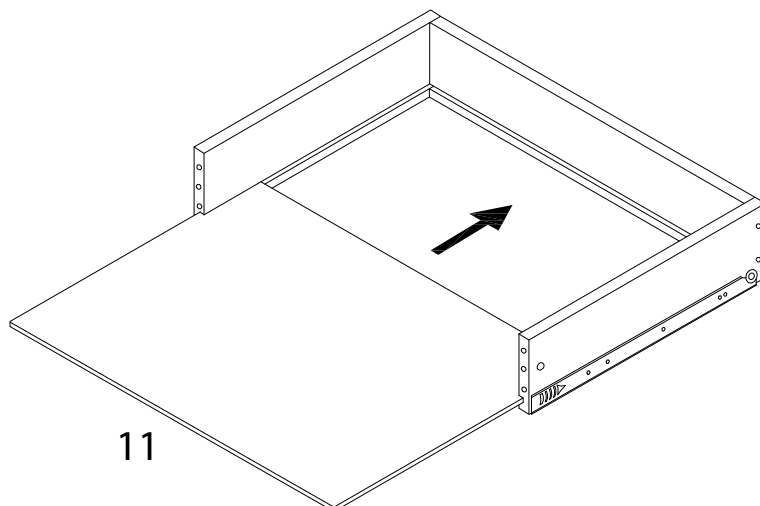
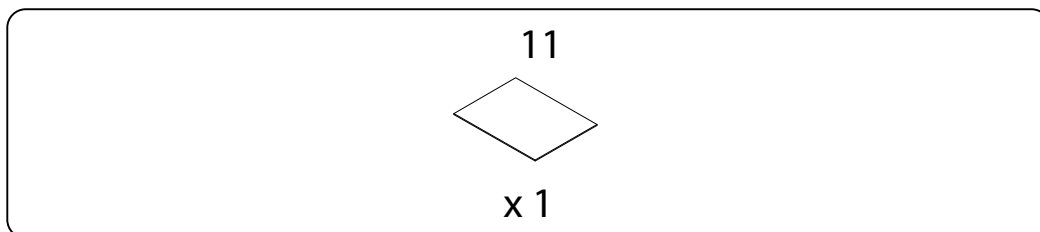
2



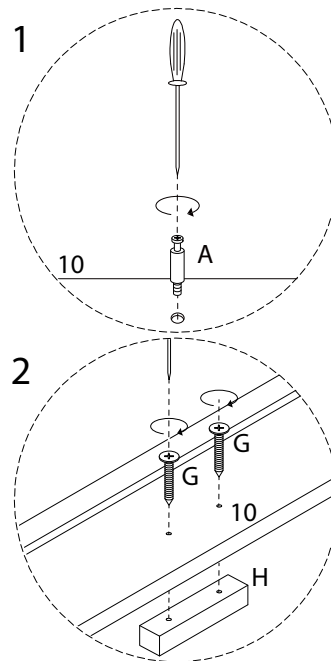
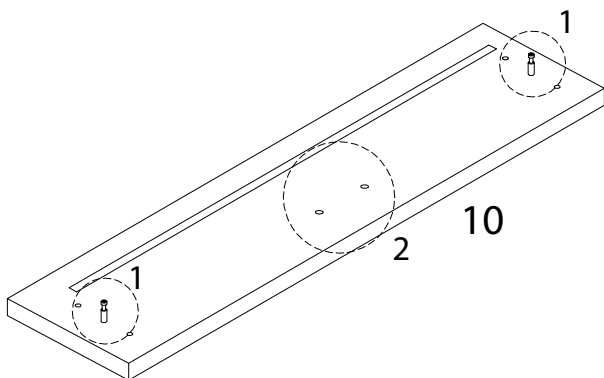
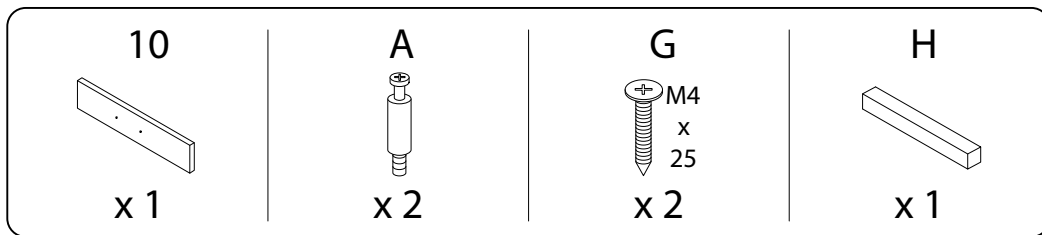
3 x 2



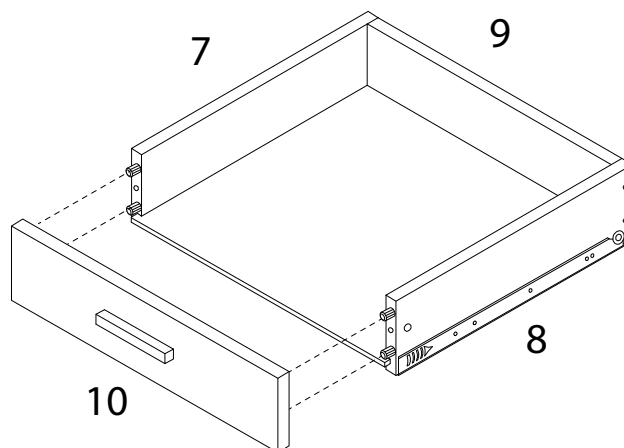
4 x 2



5 x 2



6 x 2

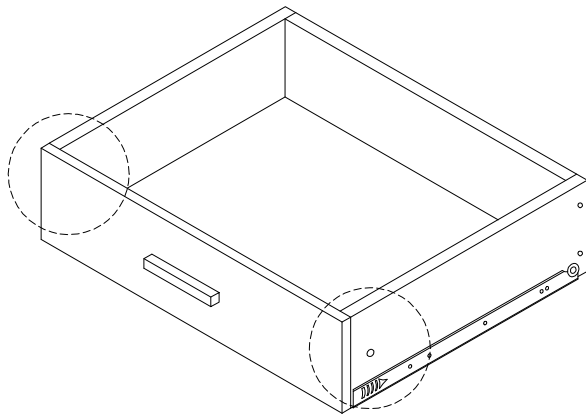


7 x 2

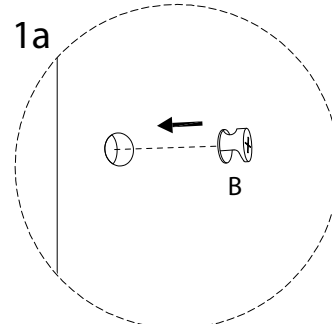
B



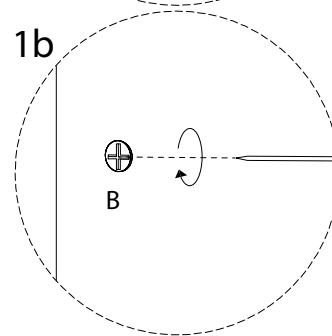
x 2



1a

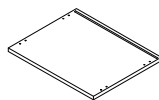


1b



8

4

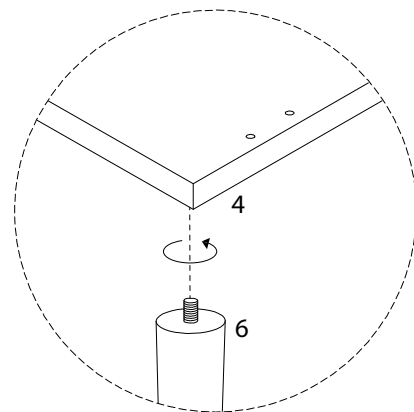
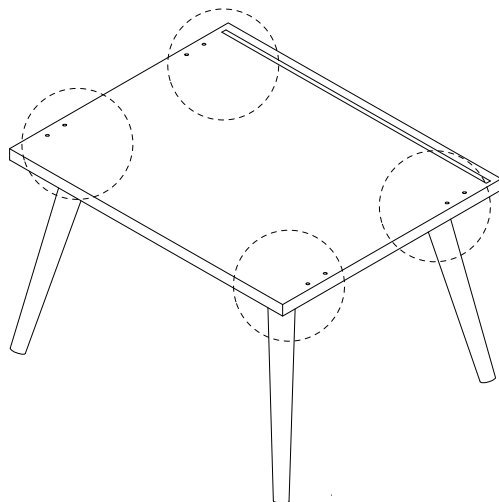


x 1

6

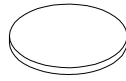


x 4

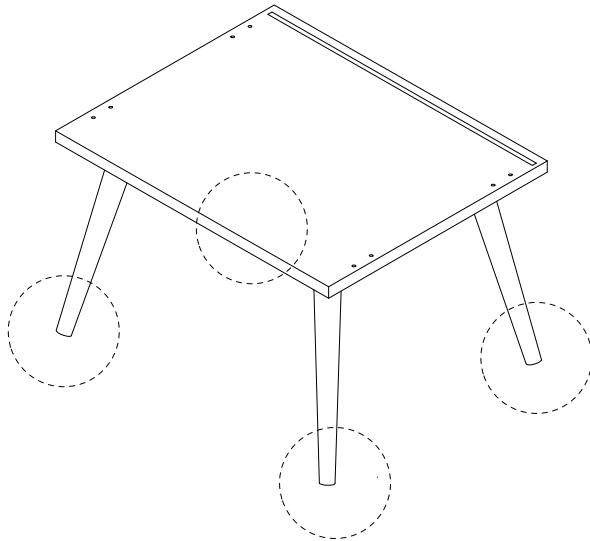


9

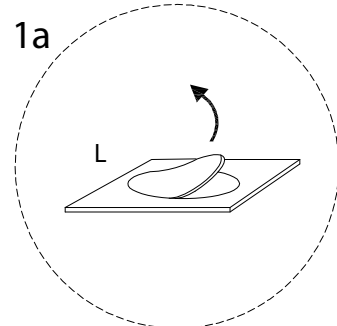
L



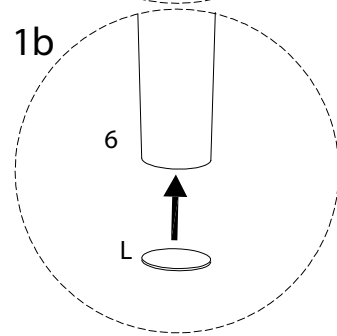
x 4



1a

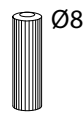


1b

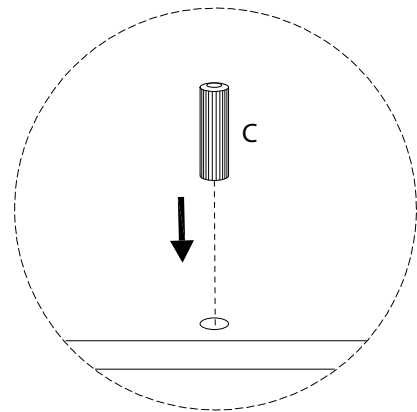
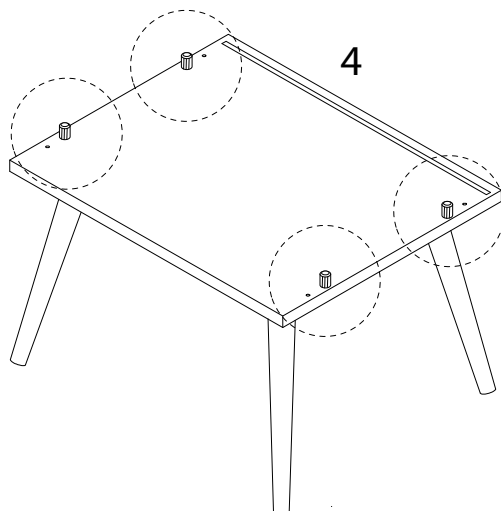


10

C

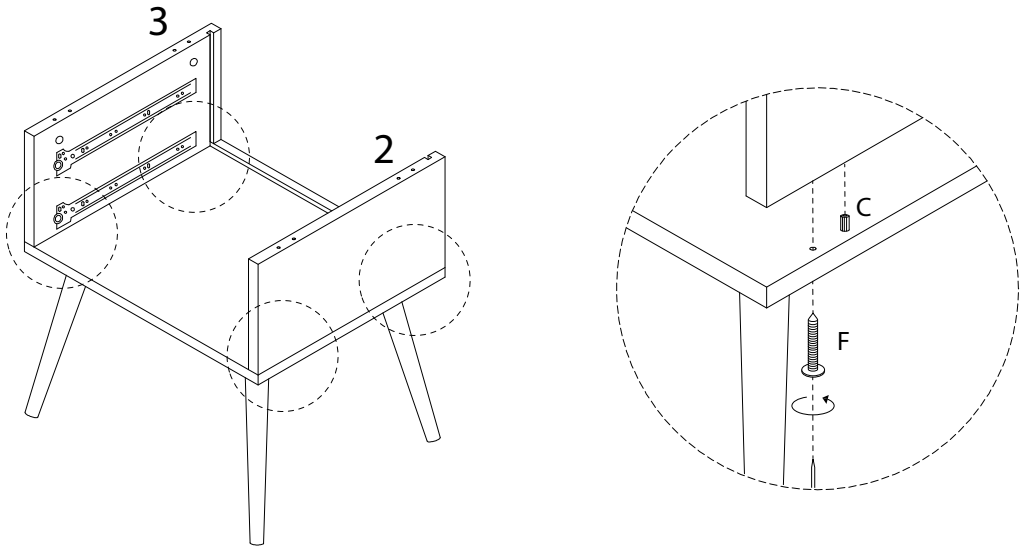


x 4



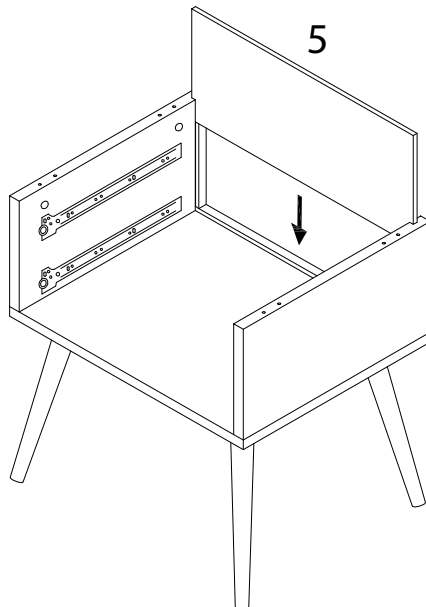
11

F
M4
x
35
x 4



12

5
x 1

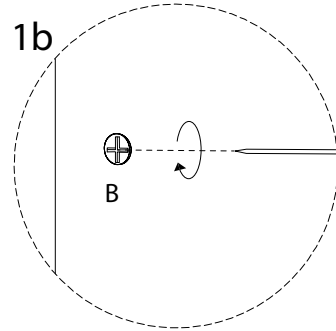
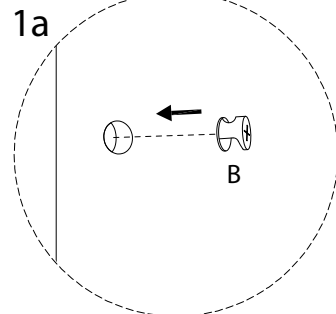
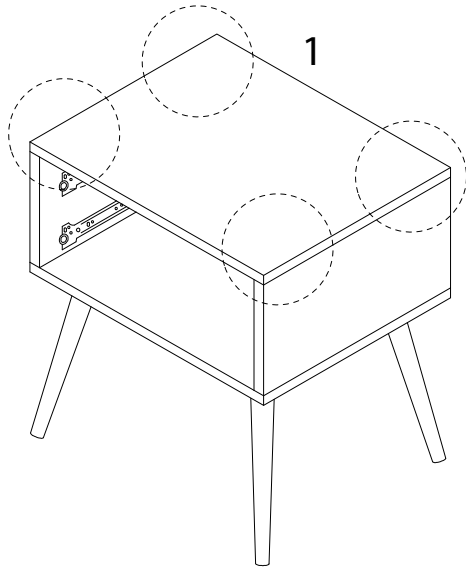


13

B



x 4



14

