

## CARE AND MAINTENANCE

Store outdoor furniture indoors or cover well when not in use.

Remove wooden furniture from standing water. Dust regularly with small brush or vacuum

Spills should be taken care of immediately before they harden or stain with a slightly dampened sponge.

## NOTICE

- \* Please make sure that you have all parts indicated before you begin assembly of this item
- \* This item should be assembled on a soft surface to prevent scratching the finish during assembly
- \* This item may require periodic tightening

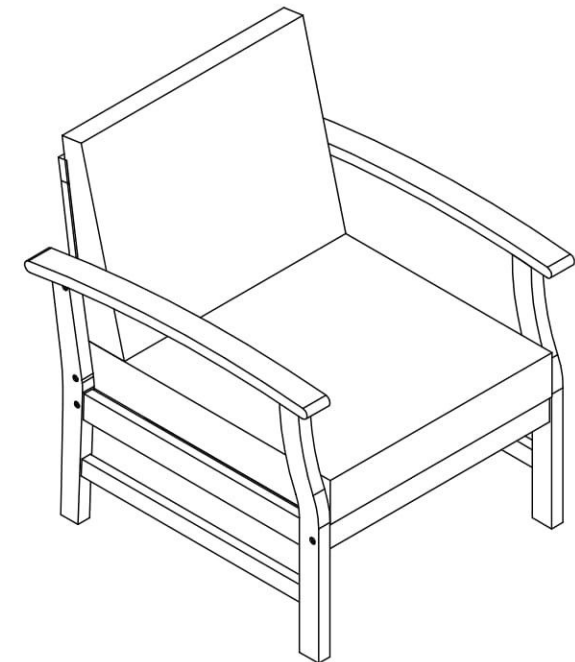
**Weight Capacity : 600 Ibs**

**Warning : Do not stand on chair**






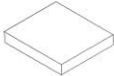


**Warning : Do not over torque bolts / screws**



Product Dimensions: 27.6" W x 29.1" D x 30.7" H



## Part List and Hardware List

PIECE	DESCRIPTION	PICTURE	QUANTITY
A	Back Frame		1X
B	Seat Frame		1X
C	Leg Frame		2X
D	Font & Back Brace Bar		2X
E	Cushion Back		1X
F	Cushion Seat		1X
G	Screw	 M6 x 70	8X
H	Allen key	 LG4	2X

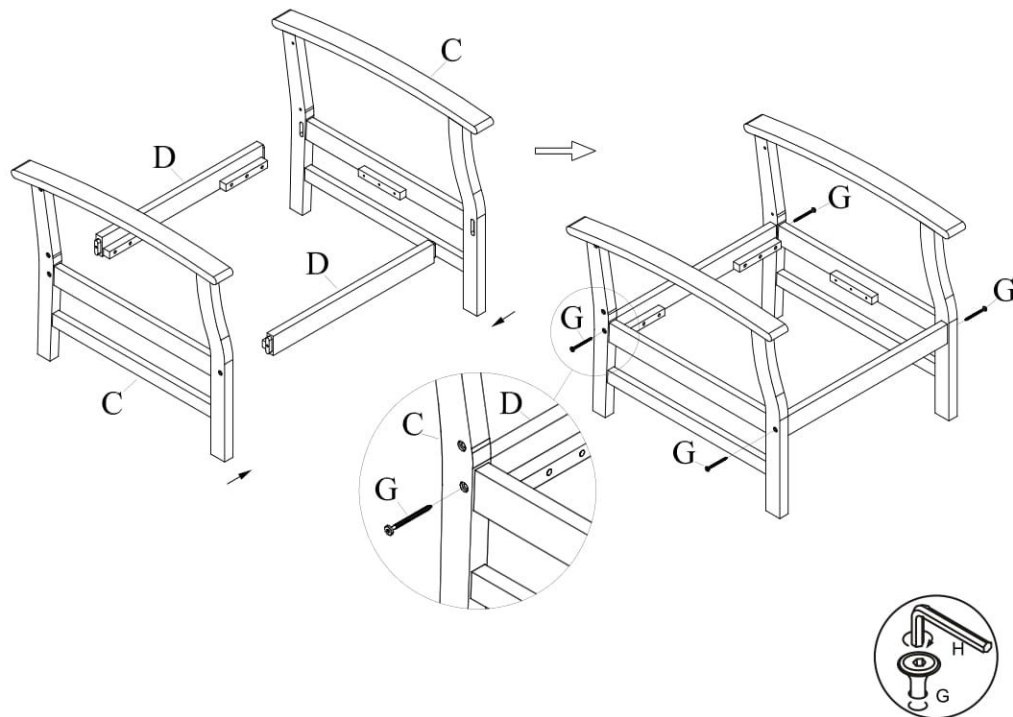
## PREPARATION

Before beginning assembly of product, make sure all parts are present. Compare parts with package contents list and hardware contents list. If any part is missing or damaged, do not attempt to assemble the product.

Estimated Assembly Time: 10 minutes.

Tools Required for Assembly (included): Allen Key

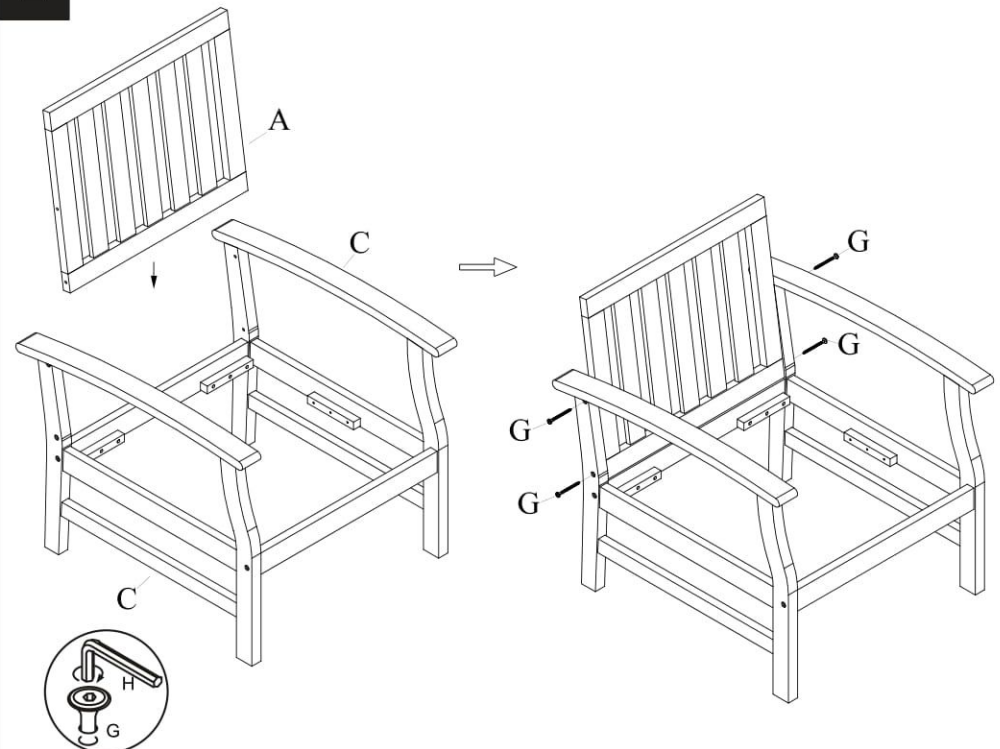
1



Step 1

Attach Front & Back Brace Bar (D) to Leg Frame (C) by using Screw (G) tighten with Allen Key (H).

2



Step 2

Attach Back Frame (A) to Leg Frame (C) by using Screw (G) tighten with Allen Key (H).

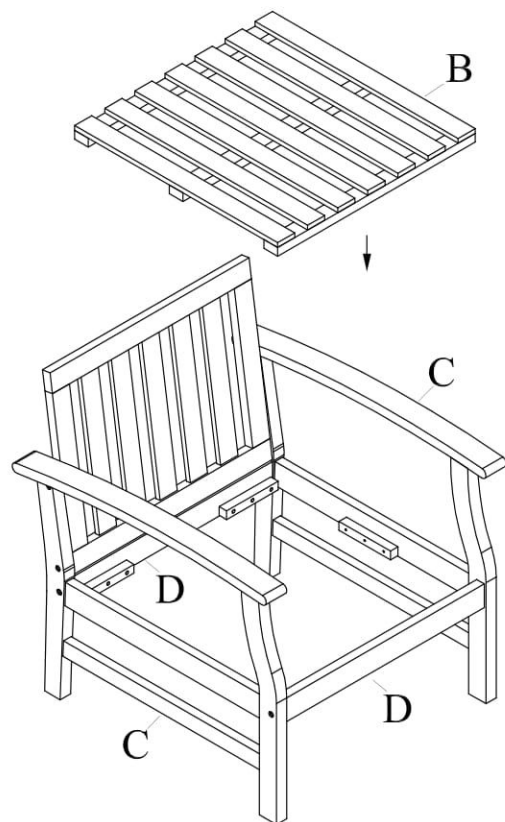
## PREPARATION

Before beginning assembly of product, make sure all parts are present. Compare parts with package contents list and hardware contents list. If any part is missing or damaged, do not attempt to assemble the product.

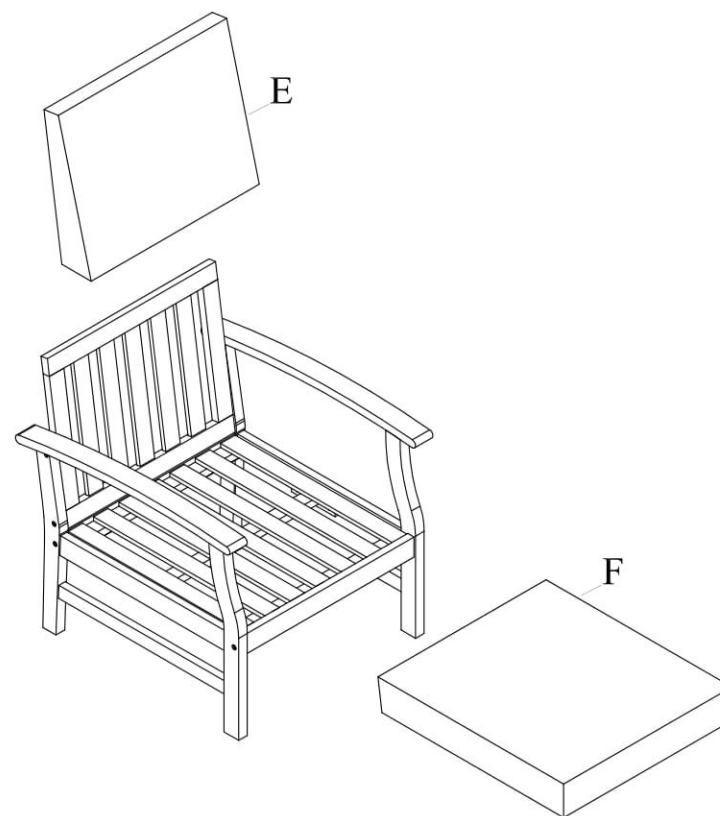
Estimated Assembly Time: 10 minutes.

Tools Required for Assembly (included): Allen Key

3



4



Step 3

Attach Seat Frame (B) to Front & Back Brace Bar (D) and Leg Frame (C).

Step 4

Attach cushion seat and cushion back.

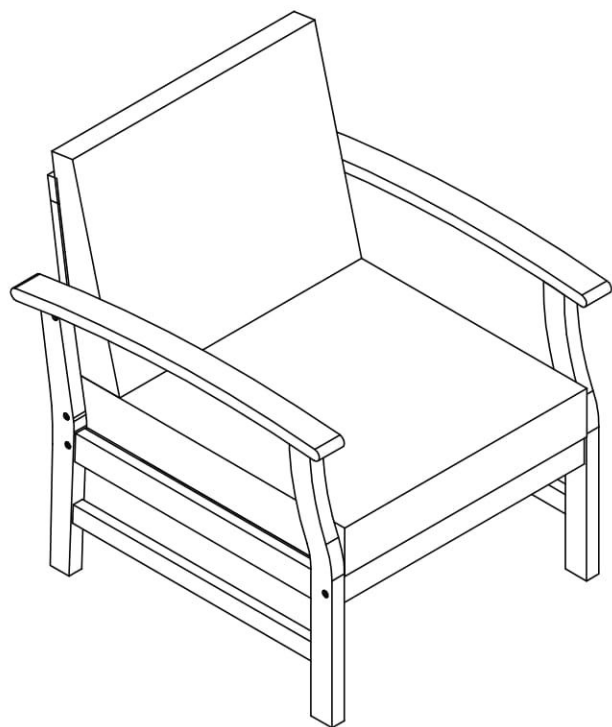
## PREPARATION

Before beginning assembly of product, make sure all parts are present. Compare parts with package contents list and hardware contents list. If any part is missing or damaged, do not attempt to assemble the product.

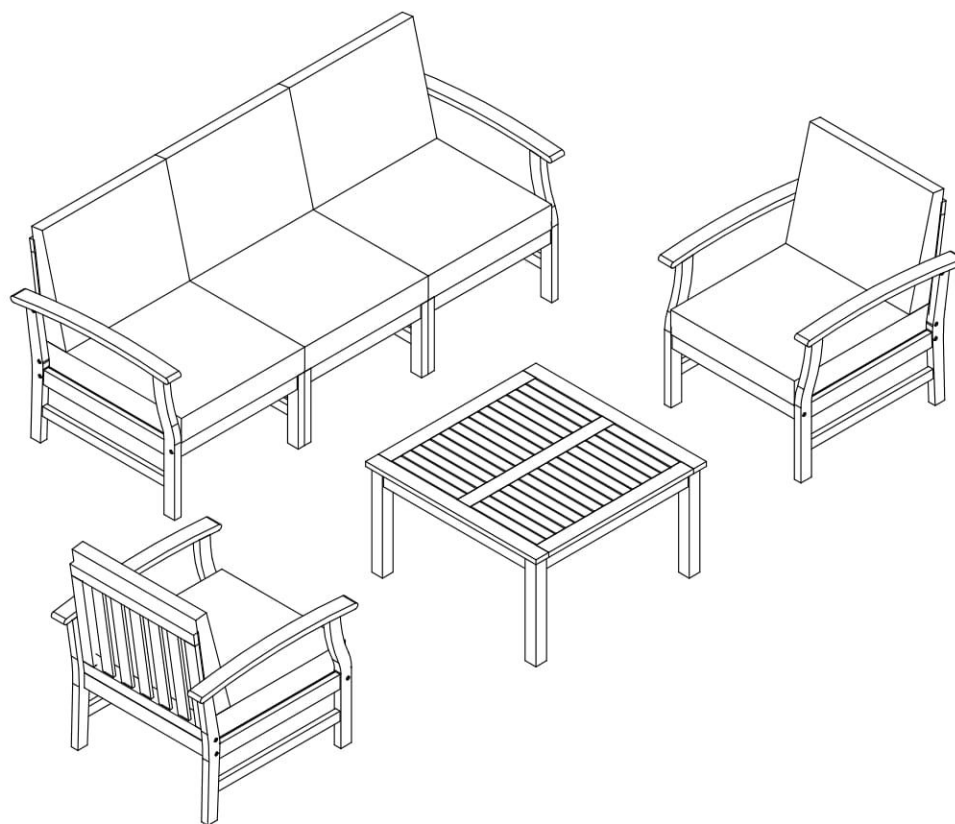
Estimated Assembly Time: 10 minutes.

Tools Required for Assembly (included): Allen Key

5



6



Step 5

Caution: This Chair can only be used on a flat, level surface

Step 6