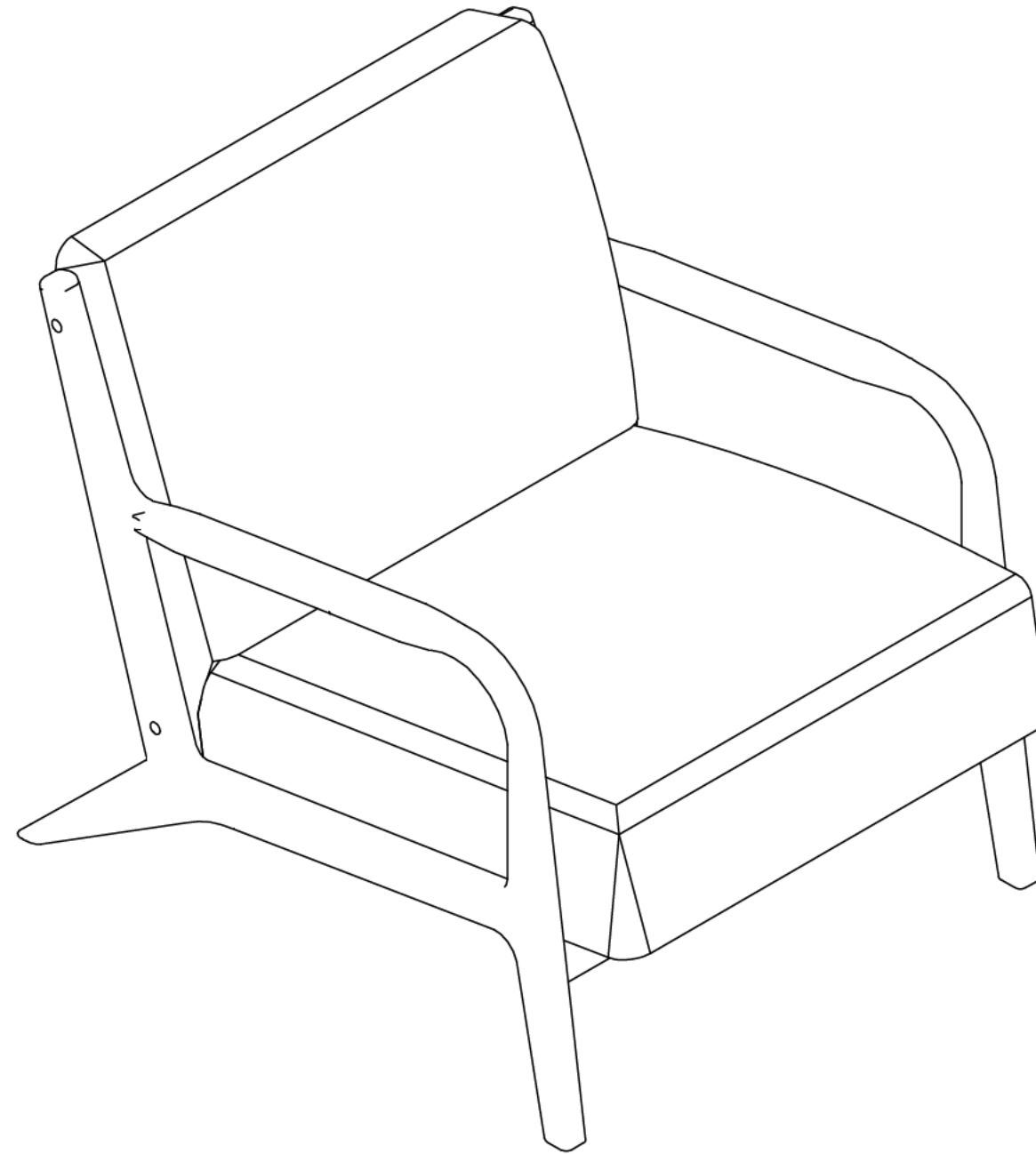


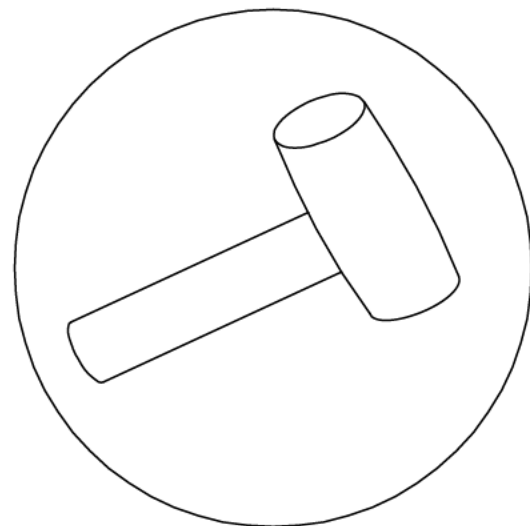
Arm Chair - Threshold



>> assembly instructions

Tools needed

Hammer

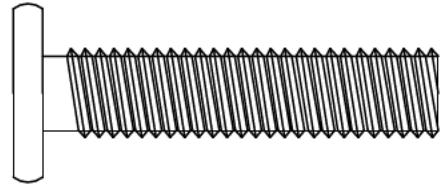


Contents of chair

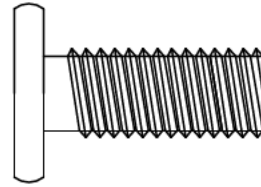
introduction	2
parts list	4
assembly	5 - 12

Hardware

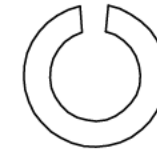
(H1) x 2
Long Bolt (1/4" x 2-1/2")



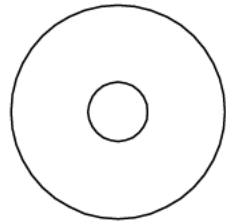
(H2) x 8
Short Bolt (1/4" x 1-3/4")



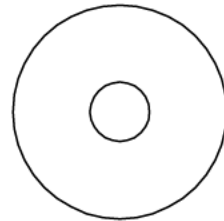
(H3) x 10
Lock washer (1/4")



(H4) x 6
Flat washer (1/4" x 22mm)



(H5) x 4
Flat washer (1/4" x 12mm)



(H6) x 1
Hex Wrench (1/4")



(H7) x 4
Wood plug

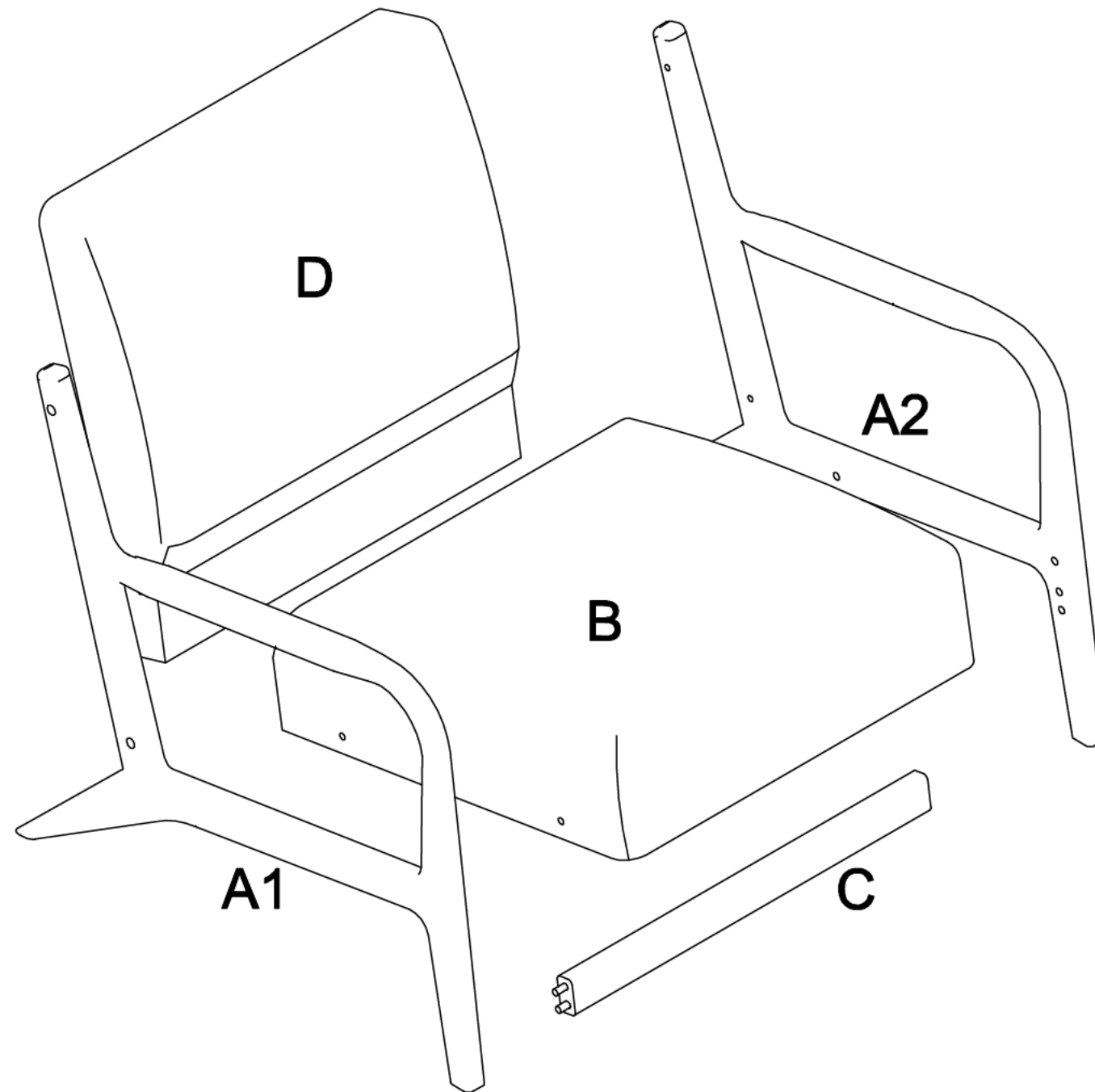


(H8) x 2
Screw (#8 x 1-1/2")



ITEM DESCRIPTION QUANTITY

A1	Left arm (facing front)	1
A2	Right arm (facing front)	1
B	Seat cushion	1
C	Stretcher	1
D	Back cushion	1



(H1) x 2
Long Bolt
(1/4" x 2-1/2")



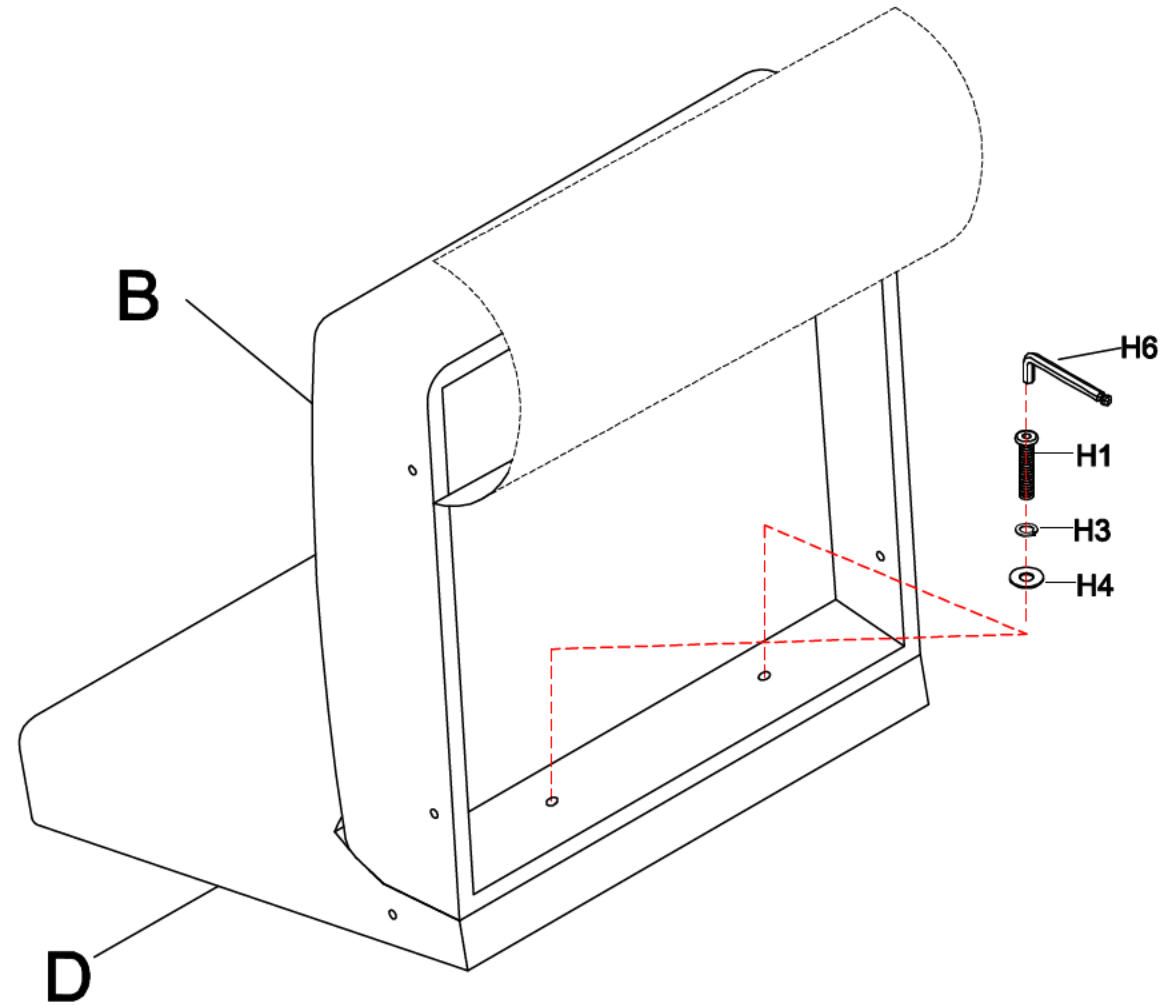
(H3) x 2
Lock washer
(1/4")



(H4) x 2
Flat washer
(1/4" x 22mm)



(H6) x 1
Hex Wrench (1/4")



Step 1.

Assemble the chair on soft, scratch-free surface such as a carpet or a rug. Open the black fabric of the bottom, then attach the seat cushion (B) to the back cushion (D) using bolts (H1), lock washers (H3) and big flat washers (H4). Securely tighten all bolts with Hex wrench (H6), but do not over tighten the bolts.

(H2) x 4
Short Bolt
(1/4" x 1-3/4")



(H3) x 4
Lock washer (1/4")



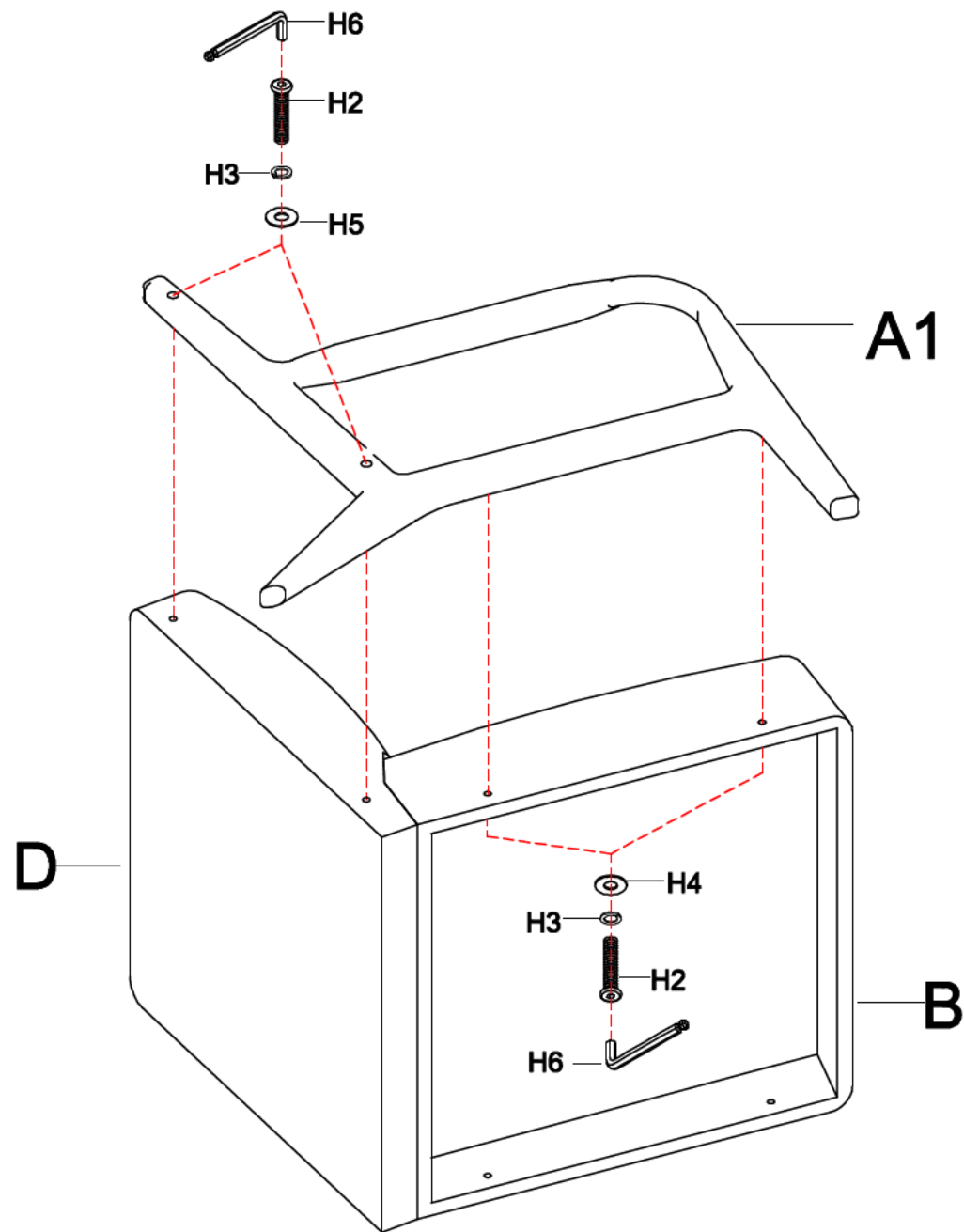
(H4) x 2
Flat washer
(1/4" x 22mm)



(H5) x 2
Flat washer
(1/4" x 12mm)

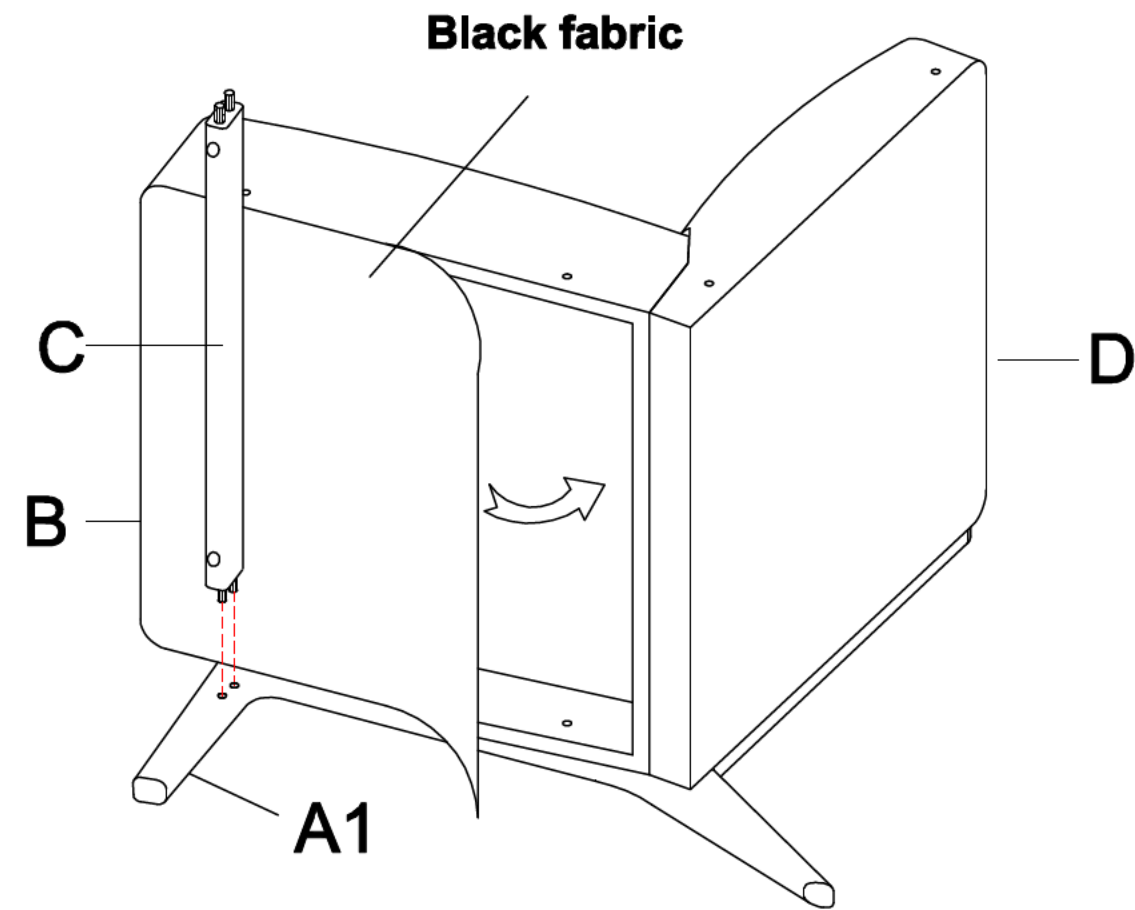


(H6) x 1
Hex Wrench (1/4")



Step 2.

Loosely attach the left arm (A1) to seat cushion (B) and back cushion (D) using bolts(H2), lock washers(H3) and flat washers(H4 & H5). Loosely tighten all bolts with Hex wrench (H6).



Step 3.

Please close the black fabric partially, then attach the stretches (C) to the the left arm (A1).

(H2) x 4
Short Bolt
(1/4" x 1-3/4")



(H3) x 2
Lock washer (1/4")



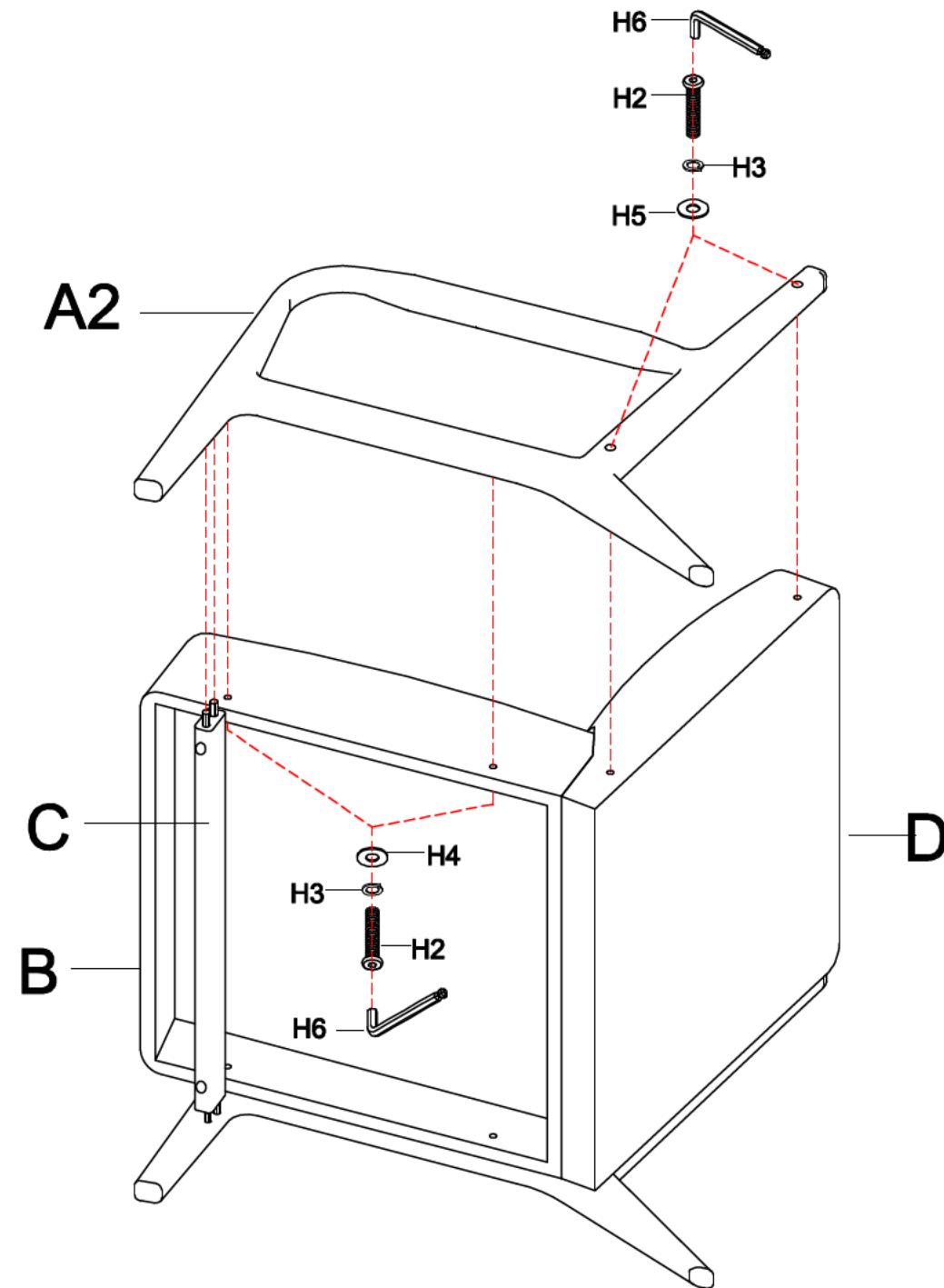
(H4) x 2
Flat washer
(1/4" x 22mm)



(H5) x 2
Flat washer
(1/4" x 12mm)



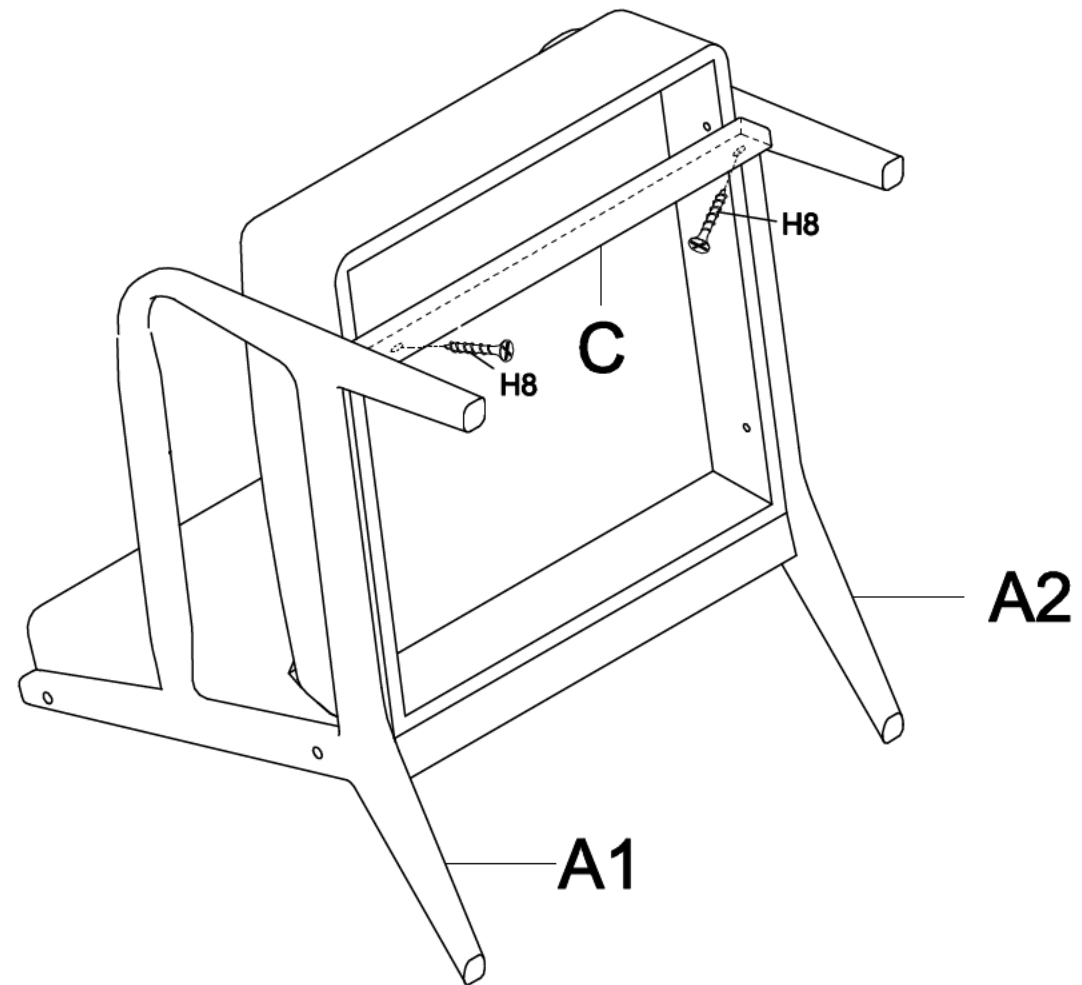
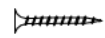
(H6) x 1
Hex Wrench (1/4")



Step 4.

Repeat attach the right arm (A2) to seat cushion (B), back cushion (D) and stretcher (C) using bolts(H2), lock washers(H3) and flat washers(H4 & H5). Loosely tighten all bolts with Hex wrench (H6).

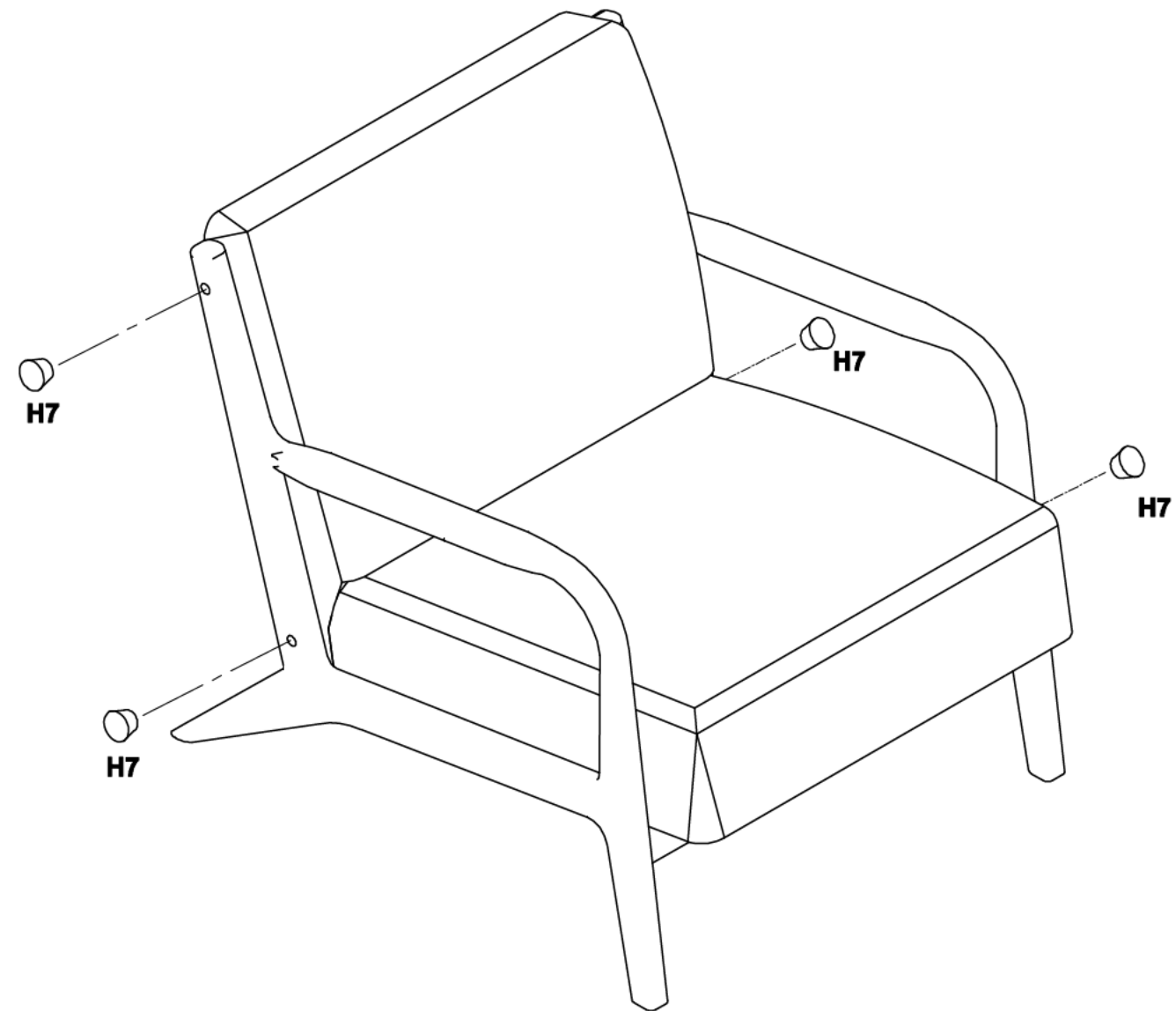
(H8) x 2
Screw (#8*1-1/2")



Step 5.

-
- 1) Securely tighten all bolts with Hex wrench(H6), but do not over tighten the bolts.
 - 2) Tighten screw (H8) through the stretchers (C) to the front legs.

(H7)x4
Wood plug



Step 6.

Securely tighten all bolts with Hex wrench (H6), but do not over tighten the bolts. Turn the assembled base to a upright position. Insert wood plugs into the bolt holes, tap with rubber hammer or mallet until the wood plug edge are even with wood surface. Assembly is complete.

Additional note about safety: Bolts may loosen during normal everyday use. They should be periodically inspected and re-tightened to prevent damage or injury. Always check to be sure that all hardware is kept tightened.