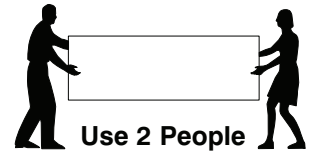


9009 4 Drawer Chest

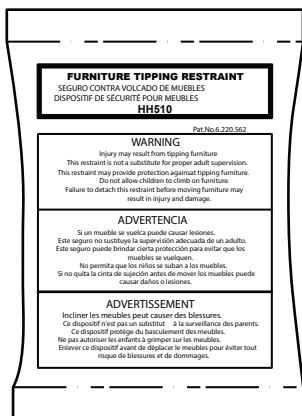
Assembly Instructions

WI-0724



Note: Do not assemble using power tools. This can cause the bolts to be overtightened

WARNING



Anti Tipping Kit
Anti Tipping Kit x 1



Children have died from furniture tipover.

To reduce the risk of furniture tipover:

- ALWAYS install anti-tip device provided.
- NEVER put a TV on this product.
- NEVER allow children to stand, climb, or hang on any drawers, doors or shelves.
- NEVER open more than one drawer at a time.
- DO NOT defeat or remove the drawer interlock system; it is an important stability and safety system.
- Place heaviest items in the lowest drawer.

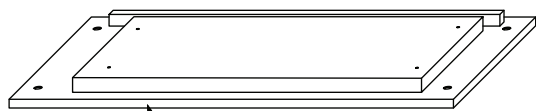
9009 4 Drawer Chest

Assembly Instructions

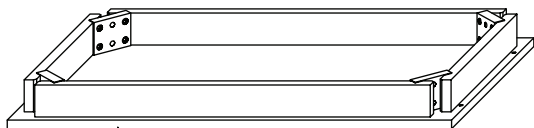
WI-0724

1 Parts List

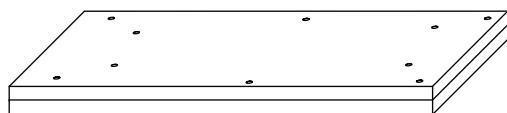
Parts in Box A:



A Top Panel x 1



B Bottom Panel x 1



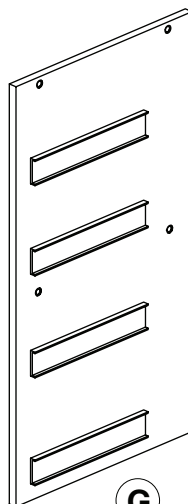
C Back Panel
(Wider) x 1



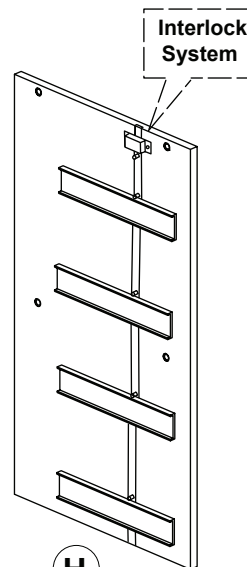
D Back Panel
(Narrow) x 1



F Support Bar x 2



G
Side Panel
(Left Hand) x 1



H
Side Panel
(Right Hand) x 1

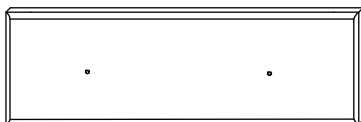


E
Post x 4

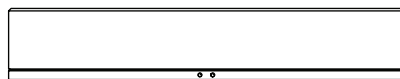


J Drawer Bottom x 4

Parts in Box B:



K Drawer Face x 4

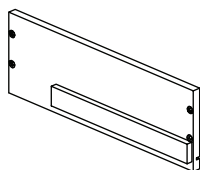


L Drawer Back x 4

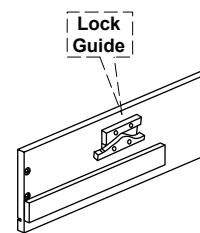


M Drawer Rail x 4

N Drawer Side
(Left Hand) x 4



O Drawer Side
(Right Hand) x 4

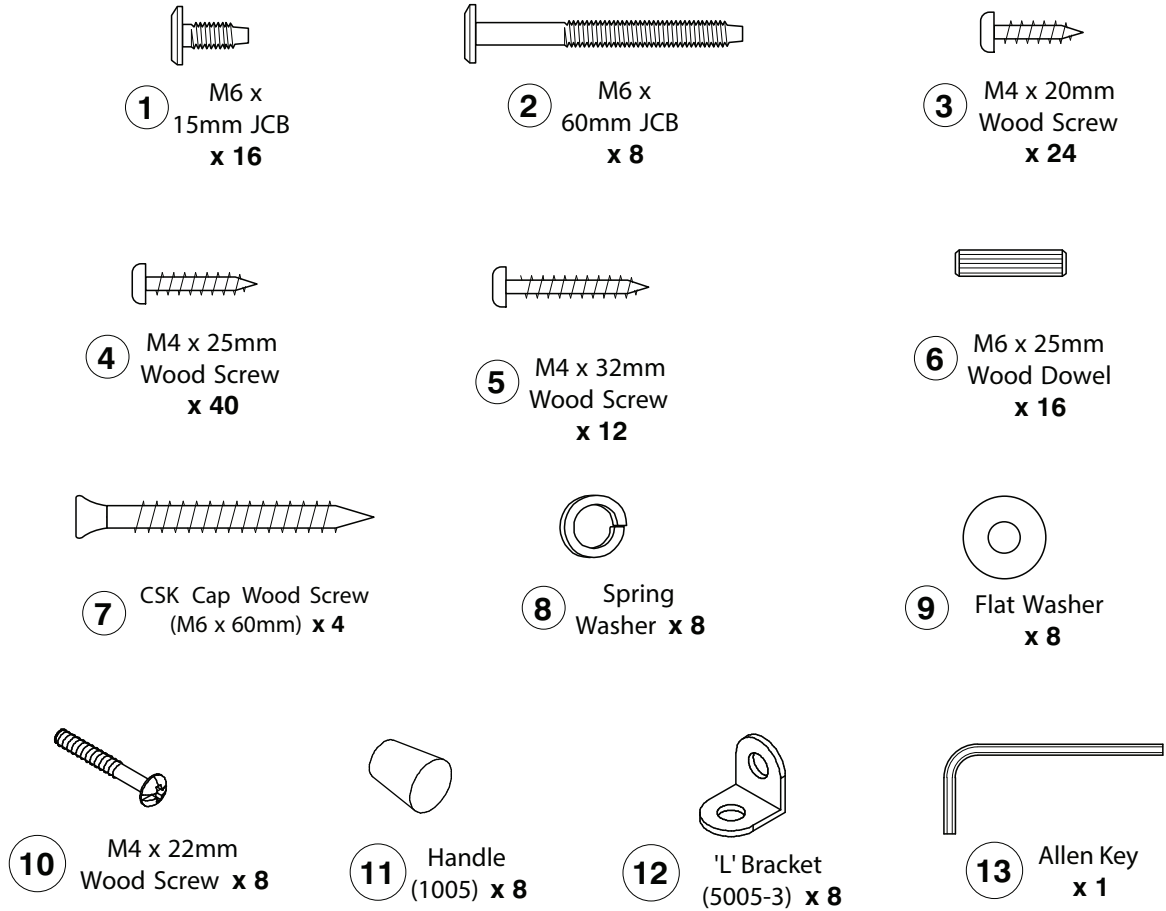


9009 4 Drawer Chest

Assembly Instructions

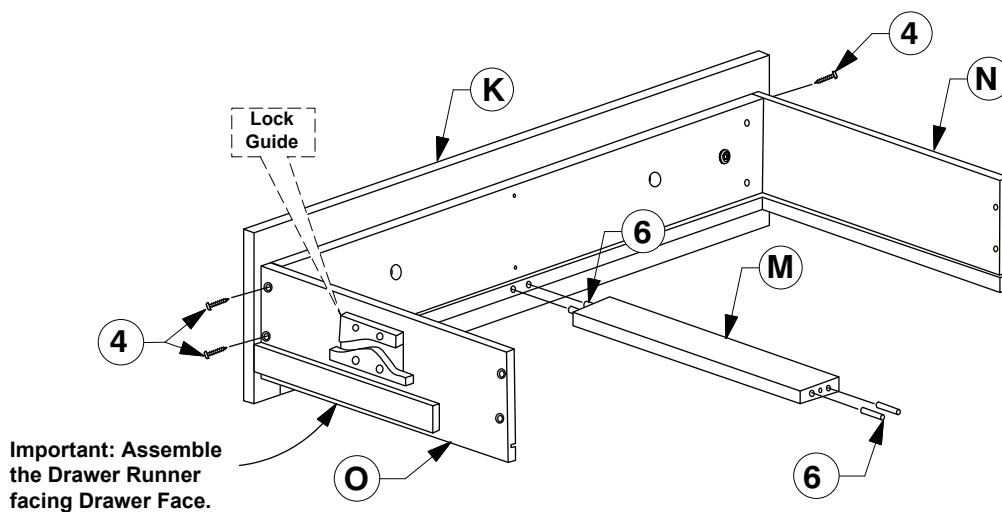
WI-0724

2 Hardware List



3 Assemble the Drawer Sides (N & O) & Drawer Rail (M) to the Drawer Face (K).

x4



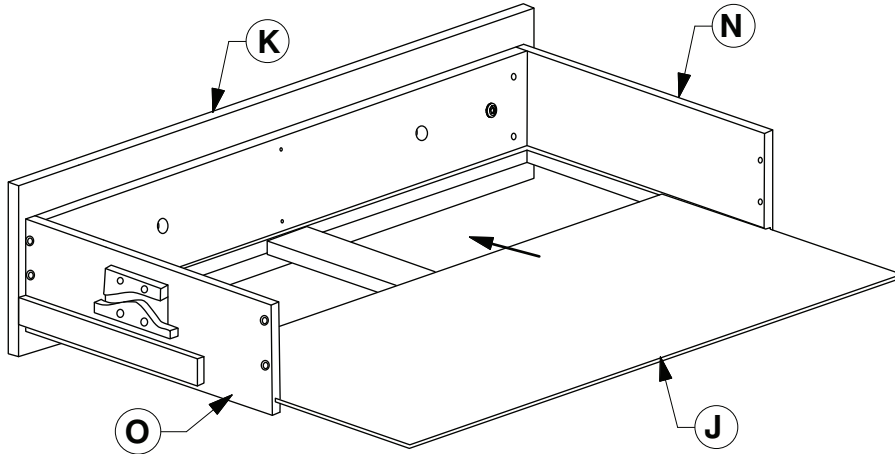
9009 4 Drawer Chest

Assembly Instructions

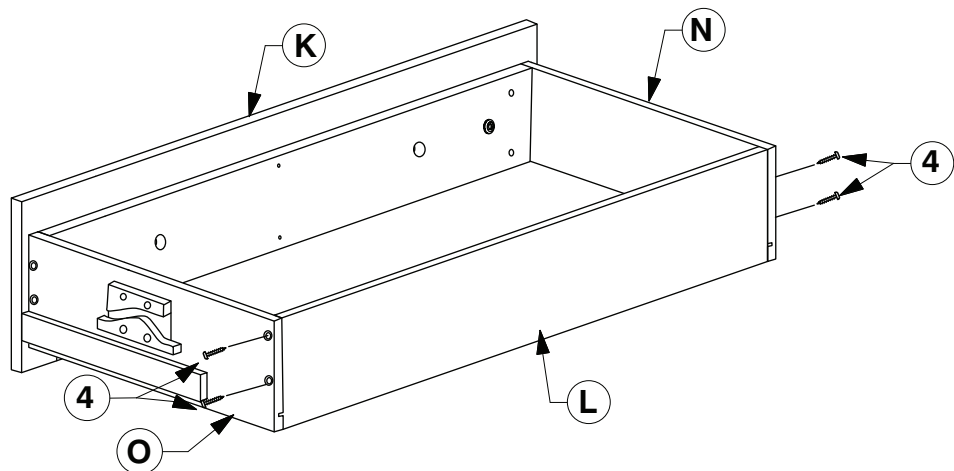
WI-0724

- 4** Slide the Drawer Bottom (J) into the groove on the Drawer Sides (N & O).

x4



- 5** Assemble the Drawer Back (L) to the Drawer Sides (N & O).

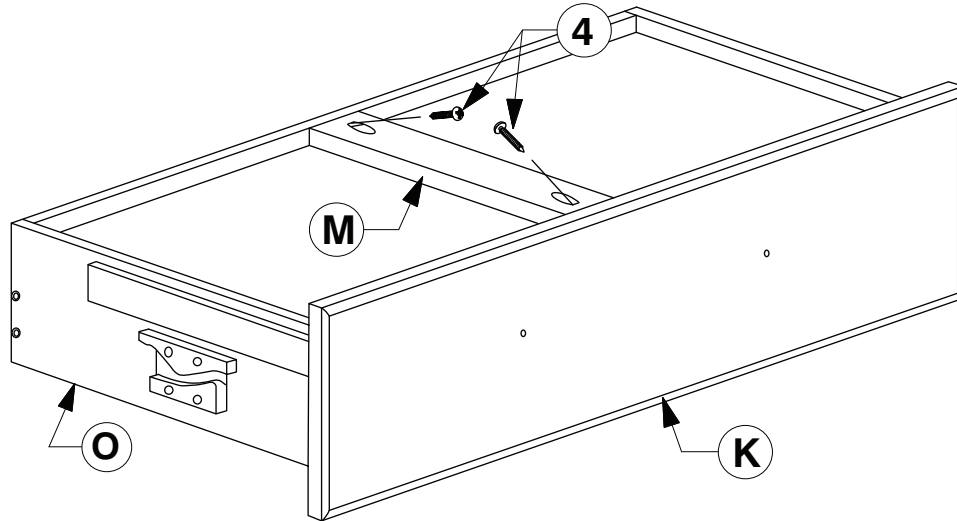


9009 4 Drawer Chest

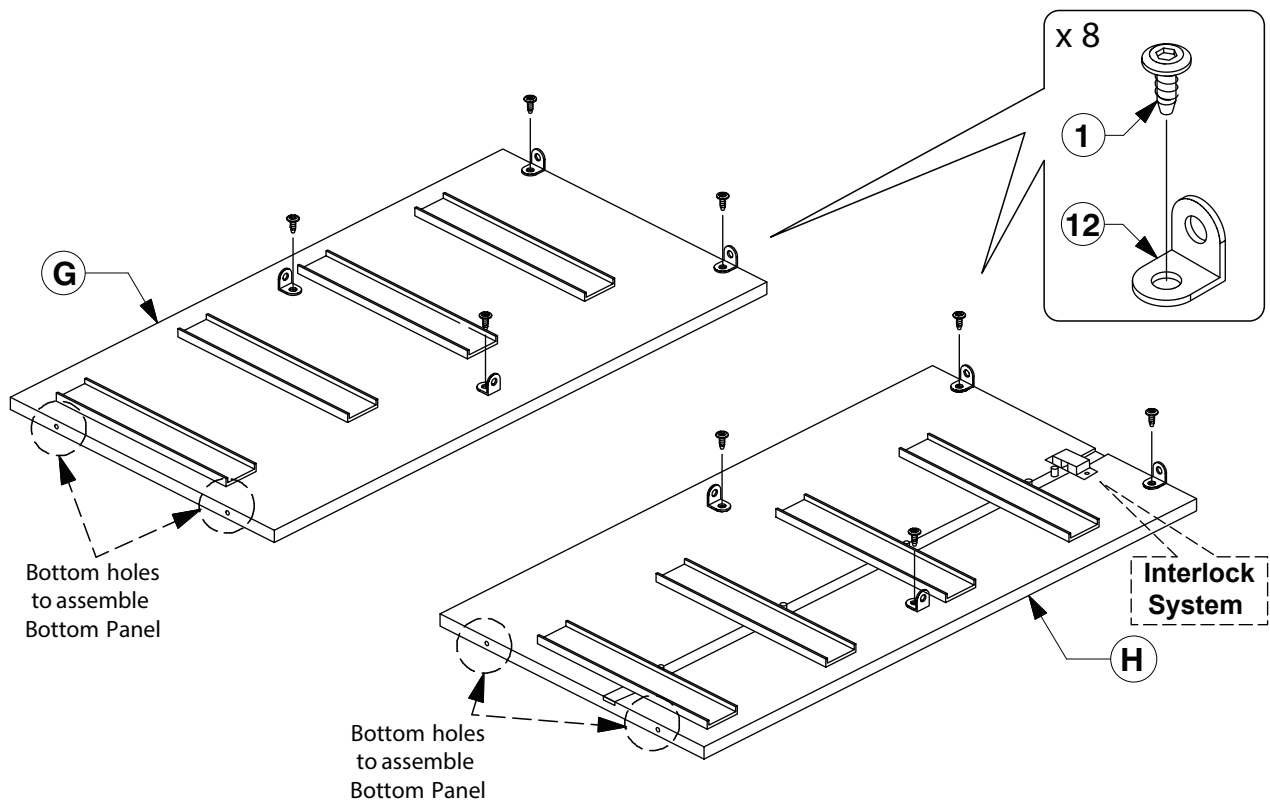
Assembly Instructions

WI-0724

- 6** Turn the Drawer over to fit angled 25mm Wood screws (4) to the Drawer Rail (M)



- 7** Fit the 'L' Bracket to the Side Panel (G & H).

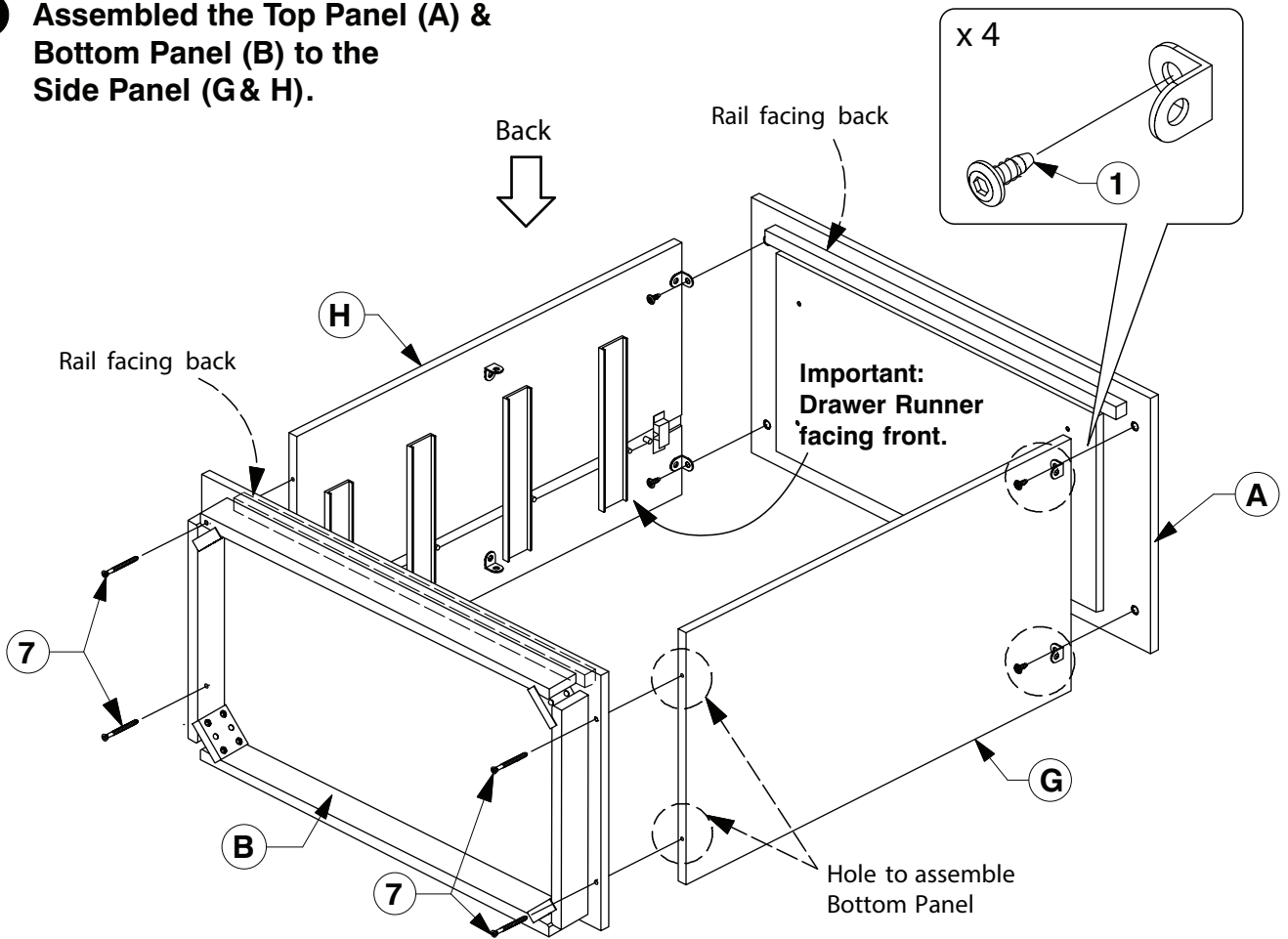


9009 4 Drawer Chest

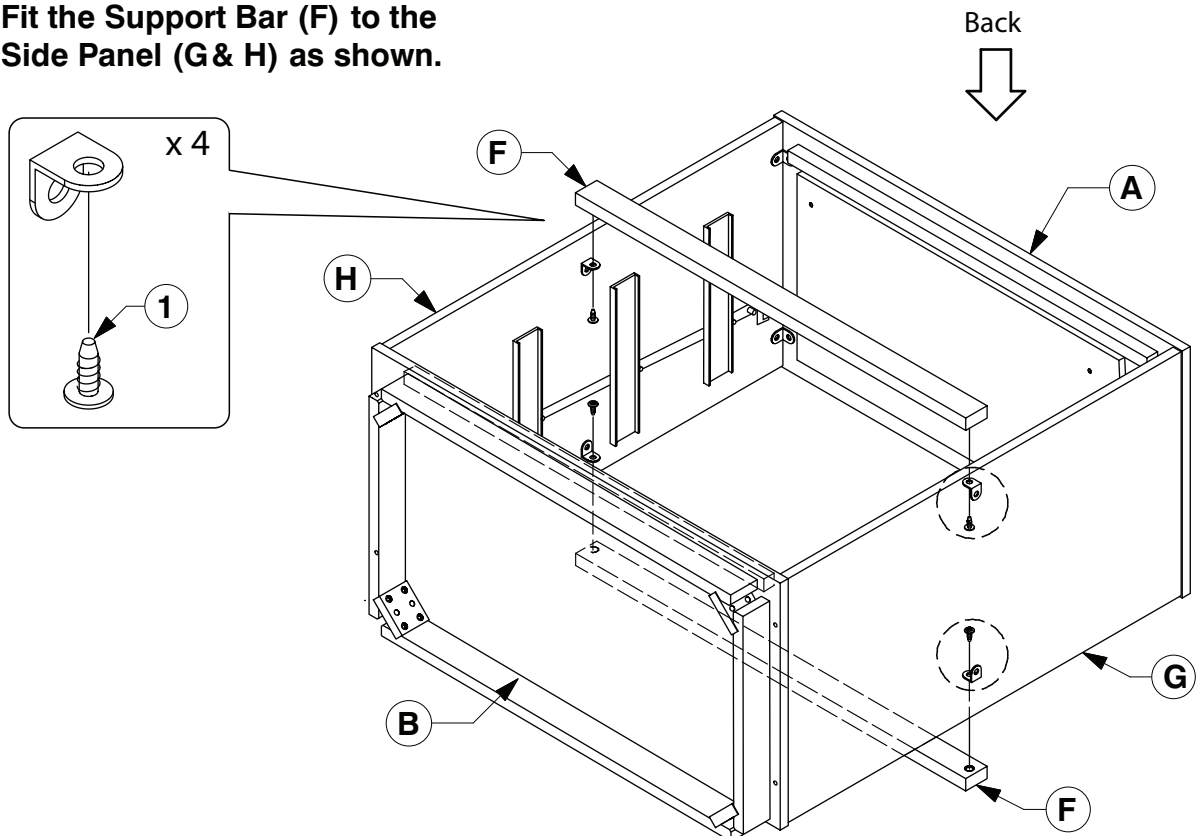
Assembly Instructions

WI-0724

- 8** Assembled the Top Panel (A) & Bottom Panel (B) to the Side Panel (G & H).



- 9** Fit the Support Bar (F) to the Side Panel (G & H) as shown.

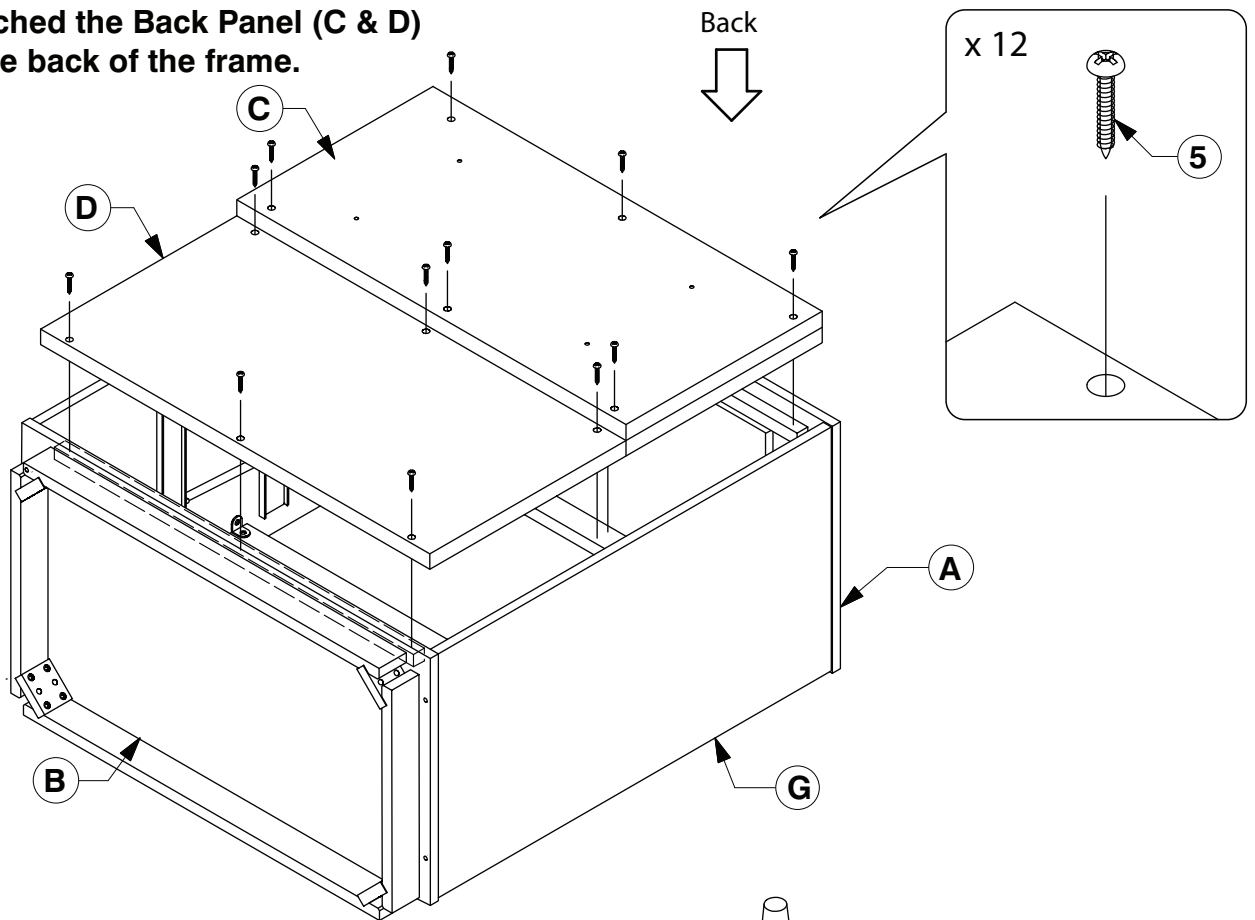


9009 4 Drawer Chest

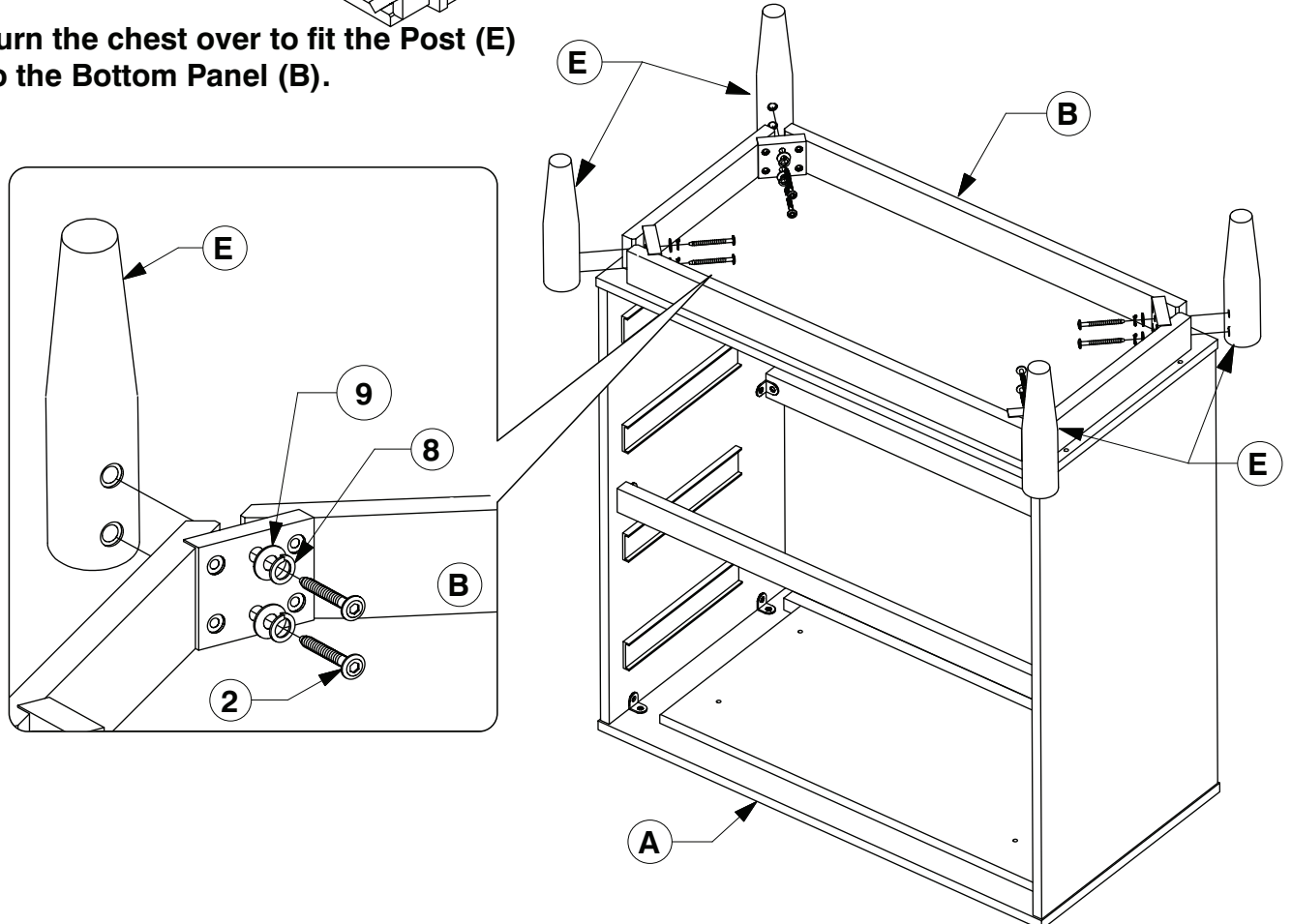
Assembly Instructions

WI-0724

- 10** Attached the Back Panel (C & D) to the back of the frame.



- 11** Turn the chest over to fit the Post (E) to the Bottom Panel (B).



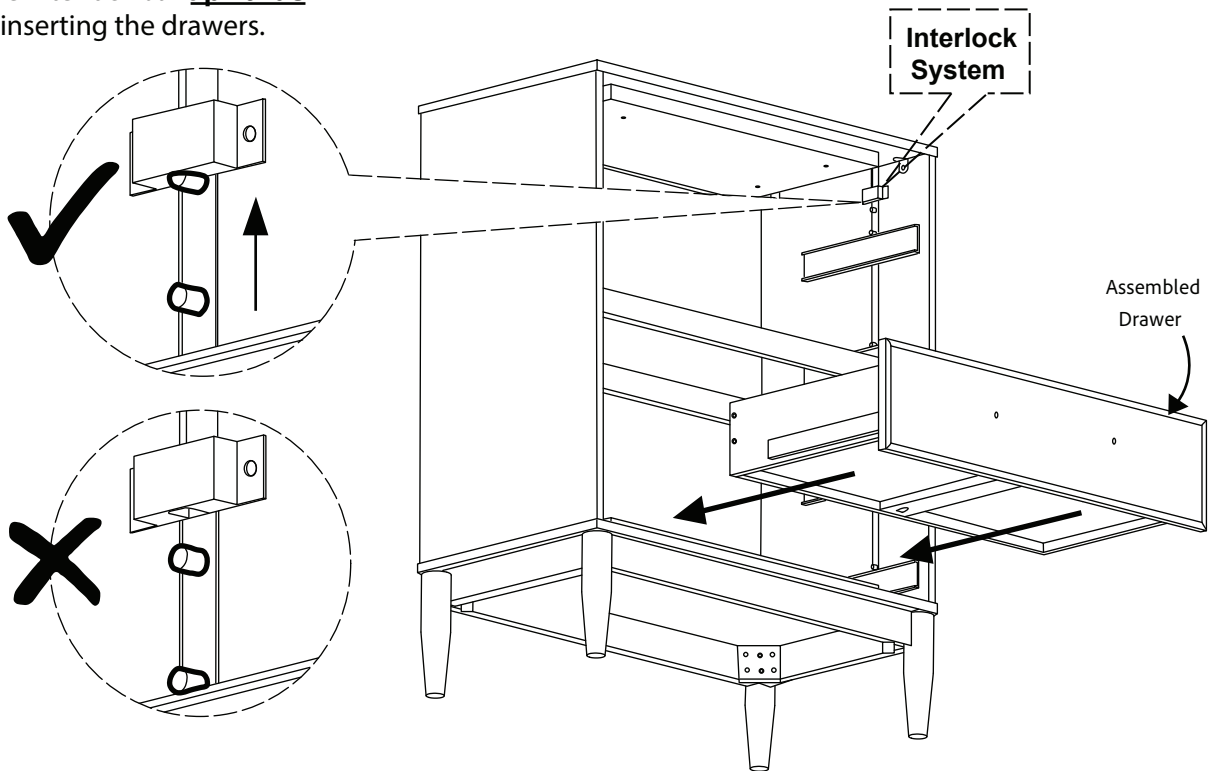
9009 4 Drawer Chest

Assembly Instructions

WI-0724

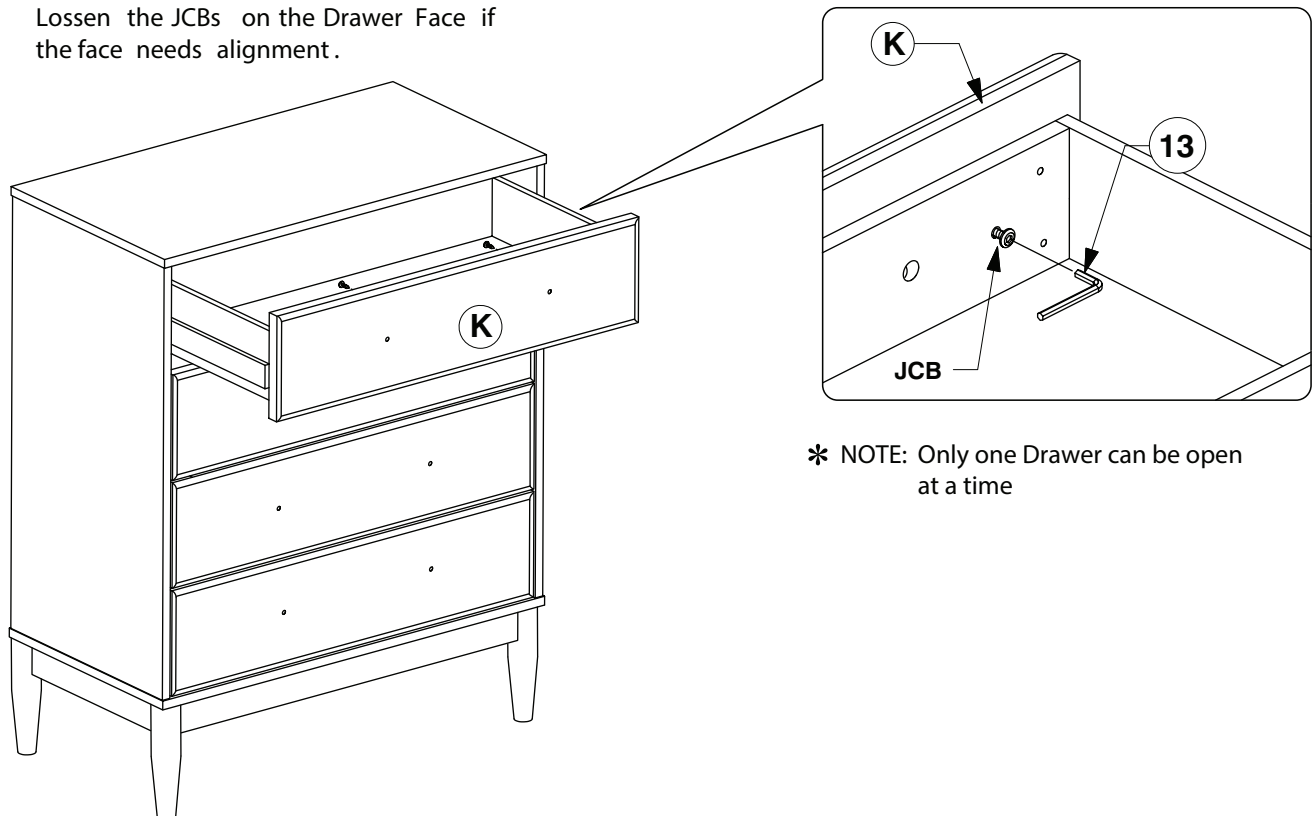
12 Install the Drawer.

- Push the Interlock bar **upwards** before inserting the drawers.



13 Fit and adjust the Drawer Face (K).

- * NOTE: Before fitting the Wood Screws .
Loosen the JCBs on the Drawer Face if the face needs alignment .

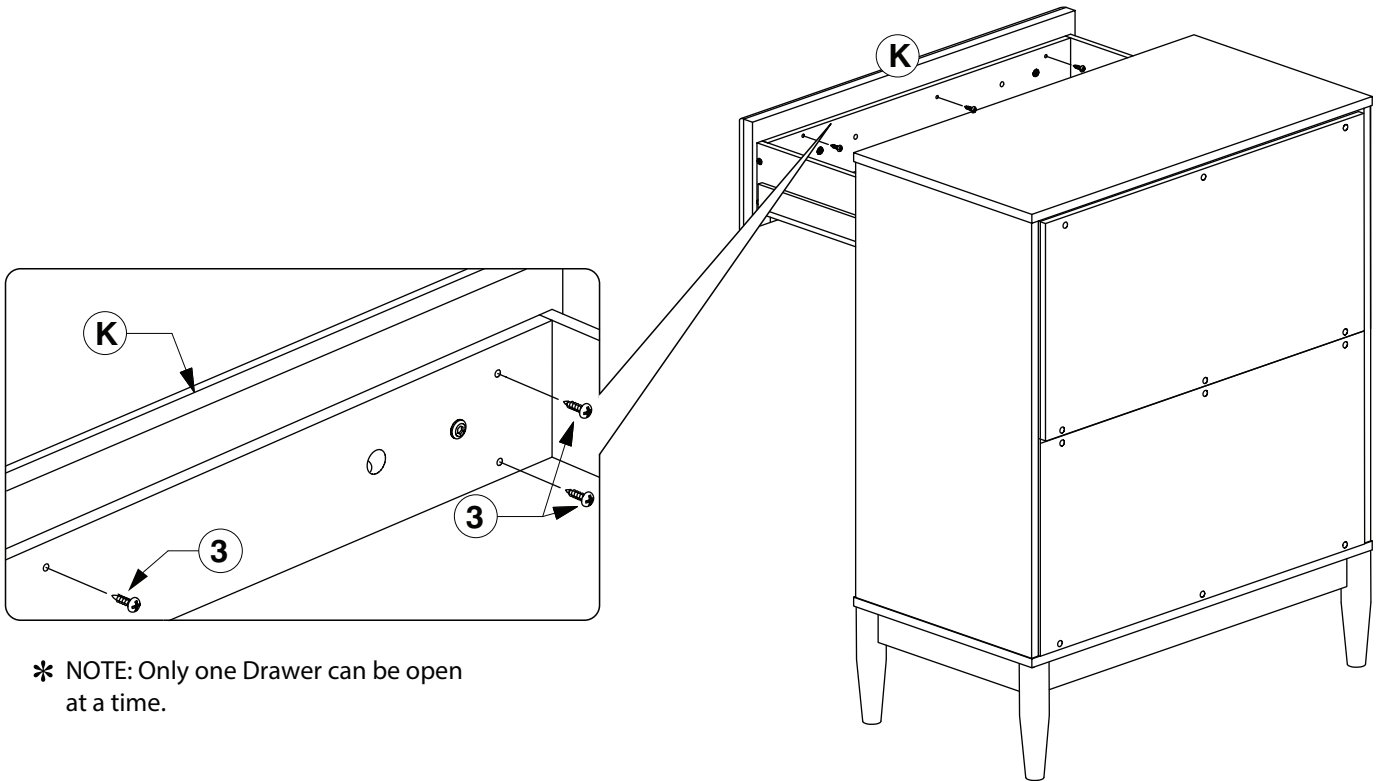


9009 4 Drawer Chest

Assembly Instructions

WI-0724

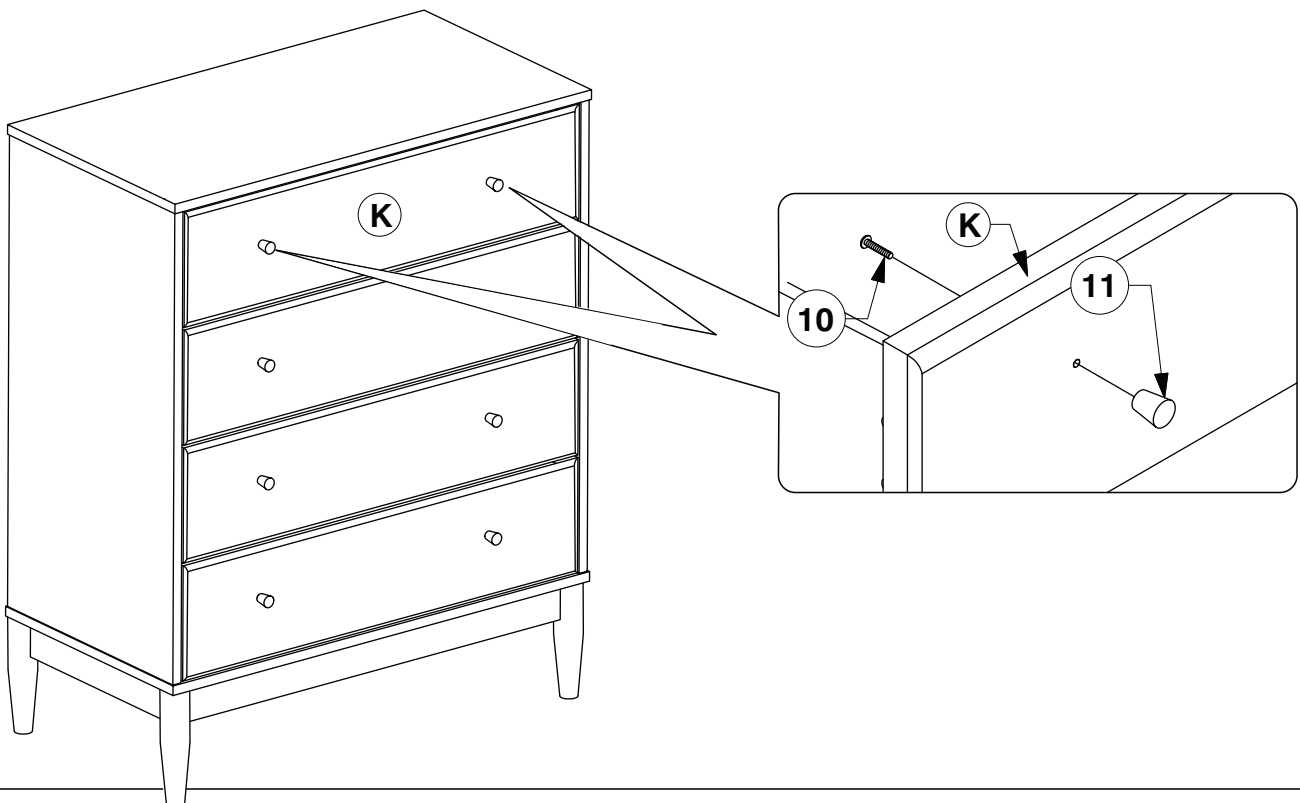
- 14** After the Drawer Faces (K) are aligned, secure with wood screws.



* NOTE: Only one Drawer can be open at a time.

- 15** Finally, fit the Handle to the Drawer Face (K).

* NOTE: Only one Drawer can be open at a time.



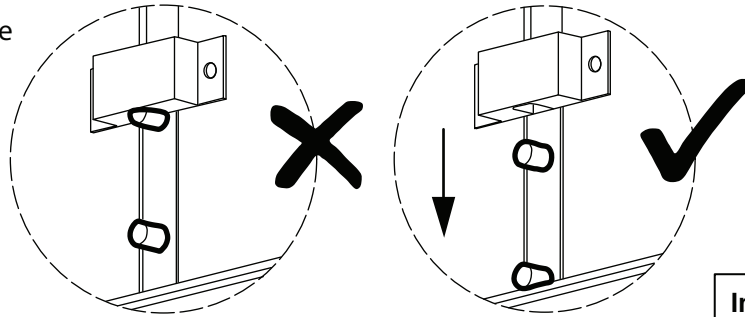
9009 4 Drawer Chest

Assembly Instructions

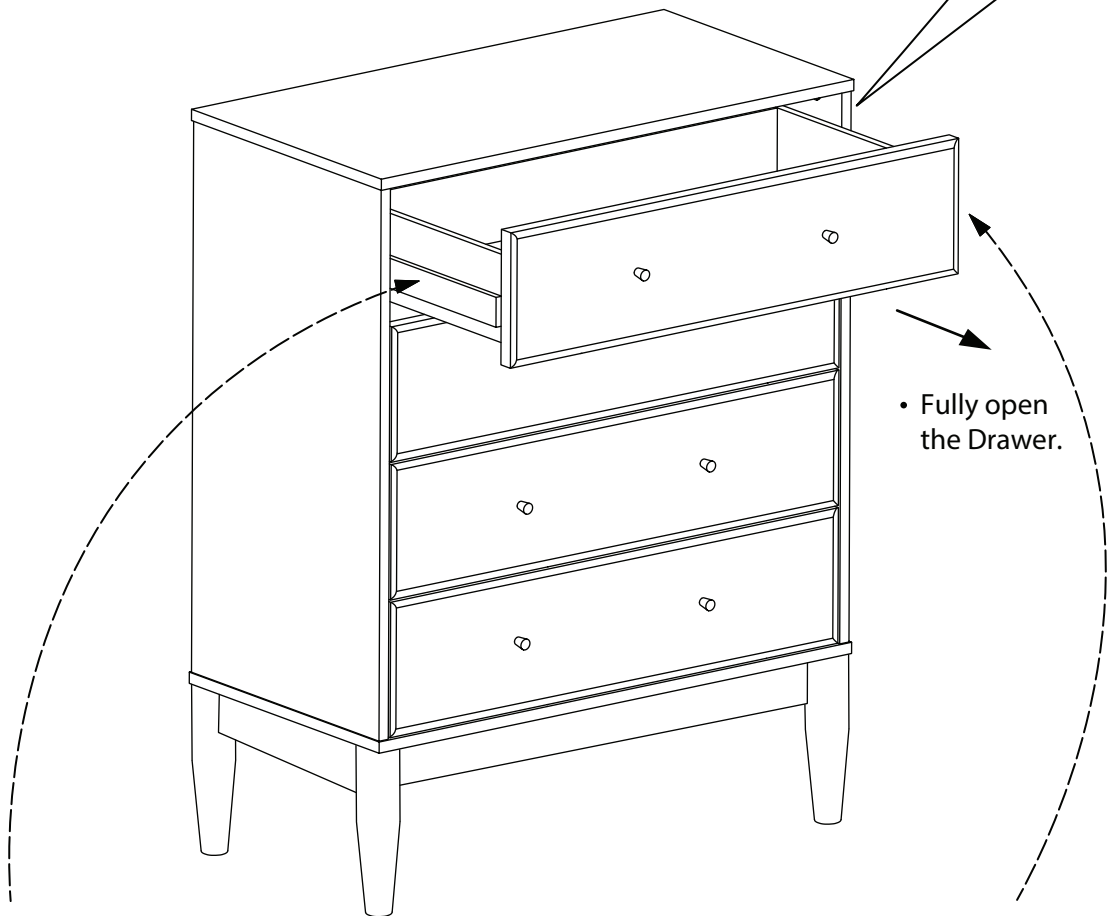
WI-0724

16 Remove the Drawers.

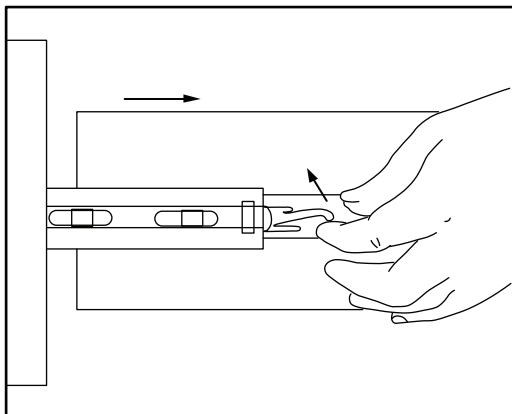
- After removing the top drawer, push the interlock bar **down**. Then remove the lower drawers.



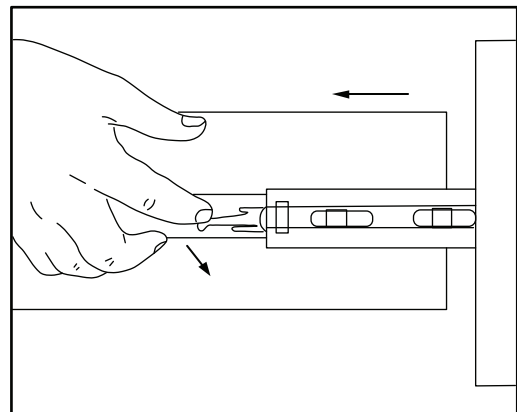
Interlock System



- Fully open the Drawer.



- Lift the **LEFT** side clip up.



- Push the **RIGHT** side clip down.