



INSTRUCTION MANUAL

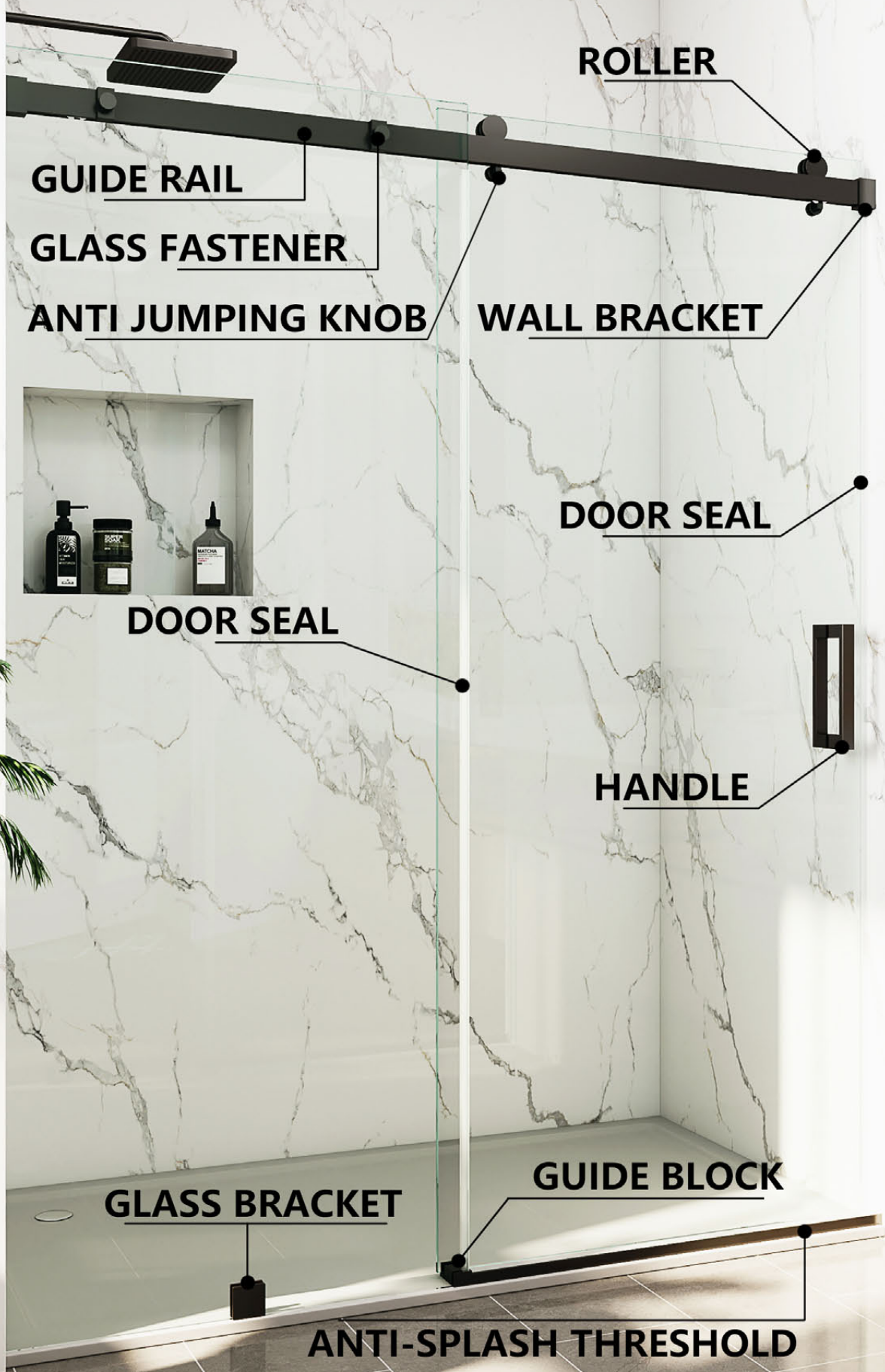


**470-926-8618
321-946-6293**

CATALOG

- 1 Product Image
- 2 Parts Listing
- 5 Installation Notes
- 6 Tools Required
- 7 Installation Steps
- 15 Safety Tips
- 16 Troubleshooting Guide
- 18 Customer Service

SS13



ROLLER

GUIDE RAIL

GLASS FASTENER

ANTI JUMPING KNOB

WALL BRACKET

DOOR SEAL

DOOR SEAL

HANDLE

GLASS BRACKET

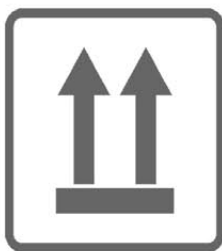
GUIDE BLOCK

ANTI-SPLASH THRESHOLD

PARTS LISTING

SS13

NO.	Name	Picture	Qty	NO.	Name	Picture	Qty
①	1 Slide Glass 1 Fixed Glass		2	⑩	Glass Bracket		1
②	Guide Rail		1	⑪	Fixed Glass Seal		1
③	Roller		2	⑫	Side Seal		2
④	Anti-jumping Knob		2	⑬	Anti-Splash Threshold		1
⑤	Wall Bracket		2	⑭	8mm Wall Plug		5
⑥	Soft Close		2	⑮	Screw ST5x40		5
⑦	Glass Fastener		2	⑯	Screw ST5x40		1
⑧	Guide Block		1	⑰	Punch Template		1
⑨	Handle		1	⑱	Allen Key		1



Please keep this manual and product code number for future reference and for ordering replacement parts if necessary.

PARTS LISTING



Aluminum punch template
(If missing or broken, please refer to page 8 for punch data.)



Wall Bracket



Glass Fastener



Roller



Handle



Guide Block



Anti Jumping Knob



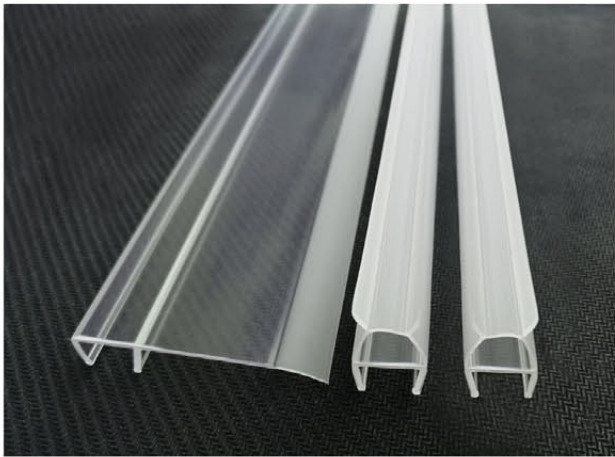
Glass Bracket

PARTS LISTING



Soft close

Guide Rail



Door Seal



Glass



Anti-Splash Threshold



Screw & Allen key

NOTES BEFORE INSTALLATION

- 1 Prepare the tools. (Please refer to page 6)
- 2 All measurements and installation should do after the wall and shower base were completed.
- 3 Make sure shower base is horizontal and both wall are vertical, if shower base not horizontal or the wall not vertical, please contact our installation support.
- 4 Understand the names and uses of individual accessories of shower door. (Please refer to page 2~4)
- 5 Installation by licensed professional contractor is recommended.
- 6 Please check the manual before starting the installation or contact us for support. Visit the our website for more information. Link:www.mcocodsupport.com
- 7 To stretch width or cut the guide rail, Please contact us first to get install support. 2 soft-closes has been pre-inserted into the guide rail, before cutting the guide rail, please loosen the soft-close fixing screw and push it inward to avoid being cut, it can be simply fixed in a certain position to avoid its sliding.
- 8 Fixed glass protect corners can be removed during installation to avoid hard removing them after installation, but you need to handle them carefully to avoid breaking the glass. Sliding glass protect corners do not remove during installation.
- 9 Tile walls are best to replenish some glass glue at the tile seams to avoid leakage after the installation is completed.

TOOLS REQUIRED

(Please bring your own tools)



(we offer)
Aluminum punch template



Spirit level



Tape measure



Power drill



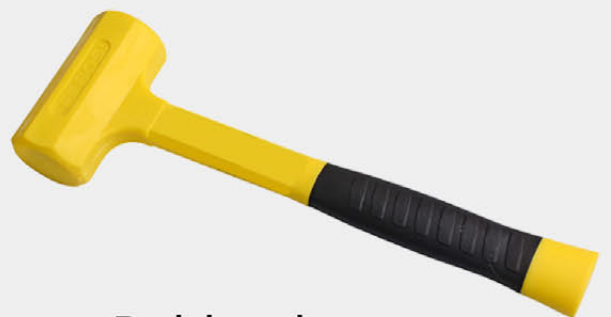
Screw driver



Drill Bits 5/16"



Pencil



Rubber hammer



Hacksaw



Silicone Gun
Modified Silane(Silyl) Polymer

INSTALLATION STEPS

Measuring



Punching



Wall bracket



**Glass fastener
Guide rail**



**Soft close
Fixed Glass**



**Glass Bracket
Glass guide block**

**Roller
Slide Glass**



**Anti-Jumping
Knob**



**Handle
Door seal**



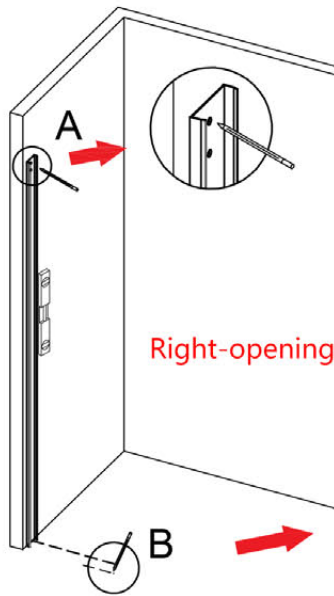
**Bottom anti-splash
threshold**



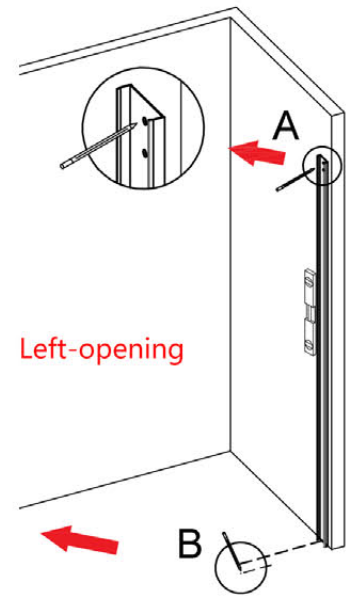
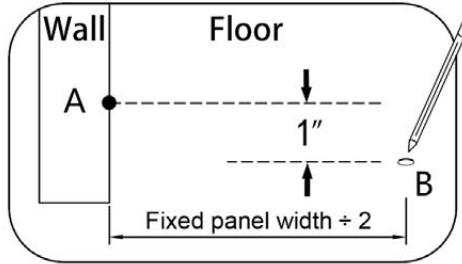
Gluing

***Customer Service**

**470-926-8618
321-946-6293**

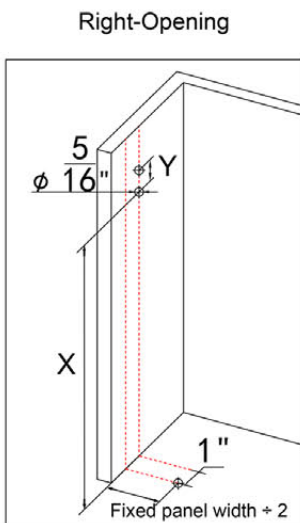


Right-opening

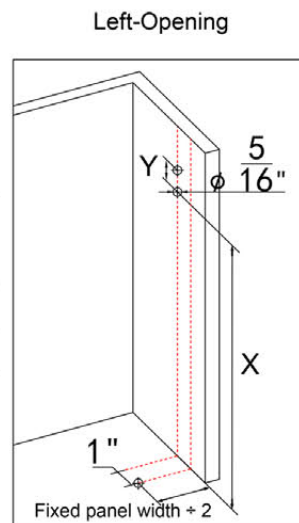


Left-opening

- ① Punch rules: the bottom fixed glass bracket perforation position needs to be 1" outside the vertical surface of wall bracket punch position, to ensure that the fixed glass is installed on the outside of guide rail. Please measure with horizontal ruler, draw the punching point position after ensuring the slope value.

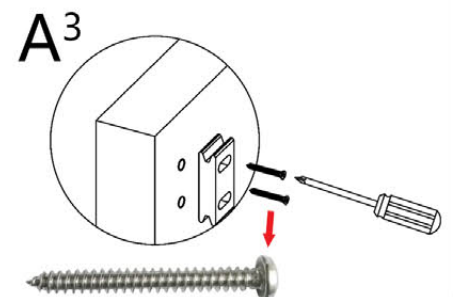
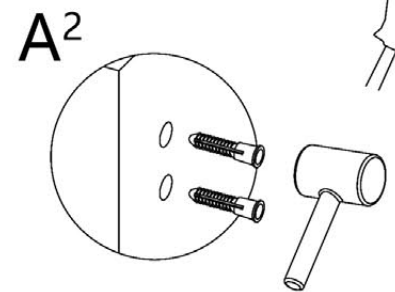
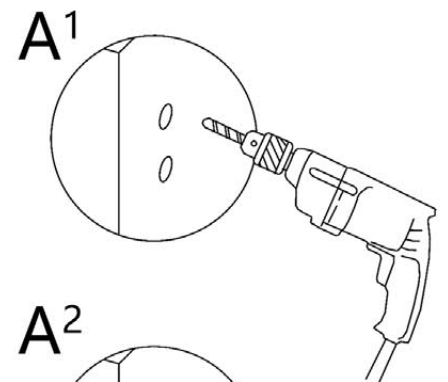


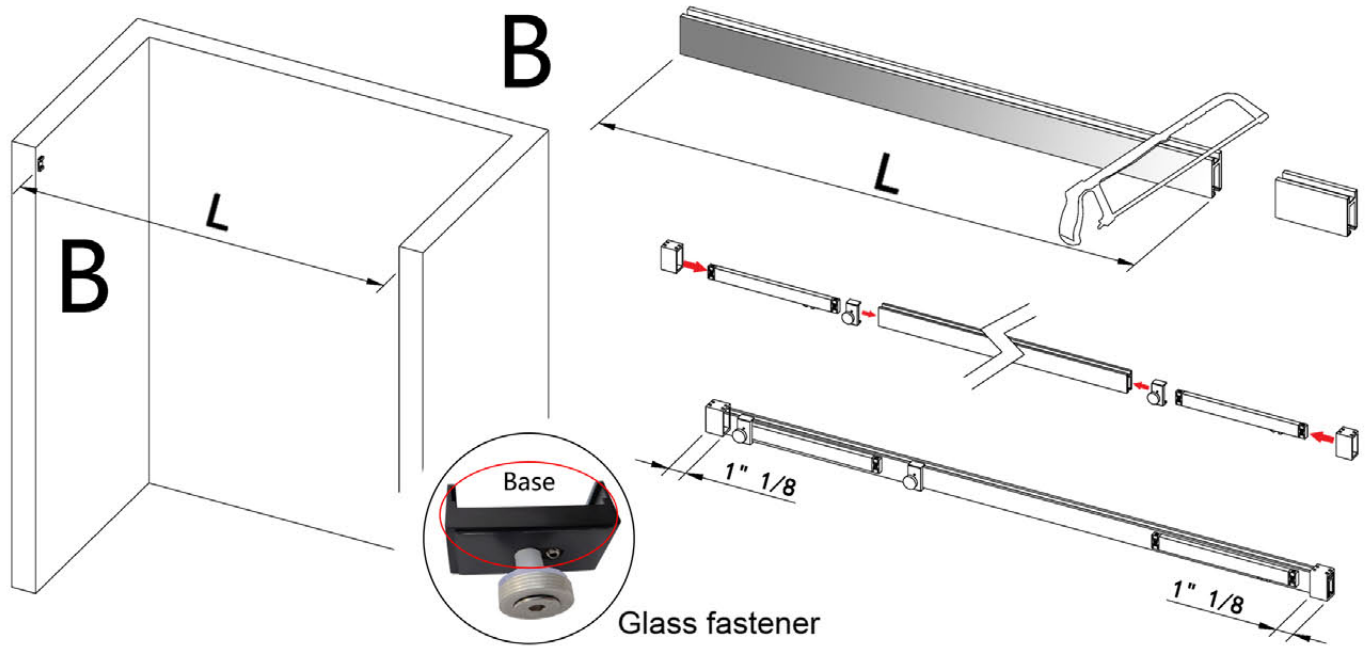
Product Height	X	Y
76"	72-1/4 "	7/8 "
79"	75-1/4 "	7/8 "



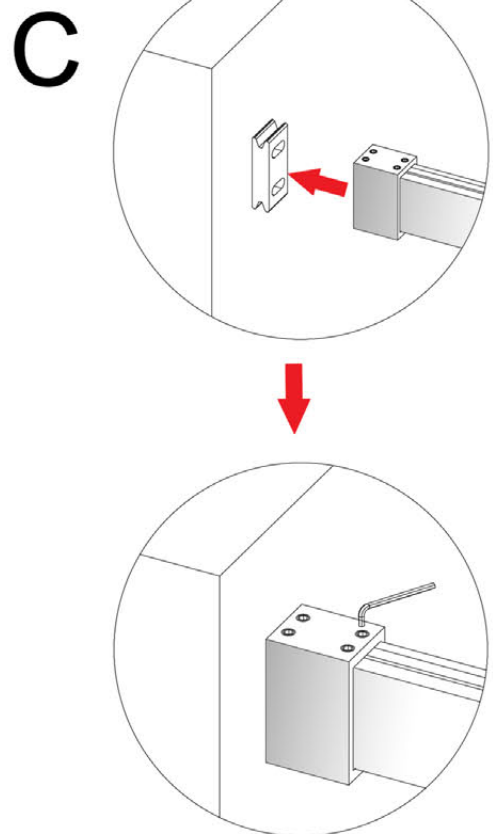
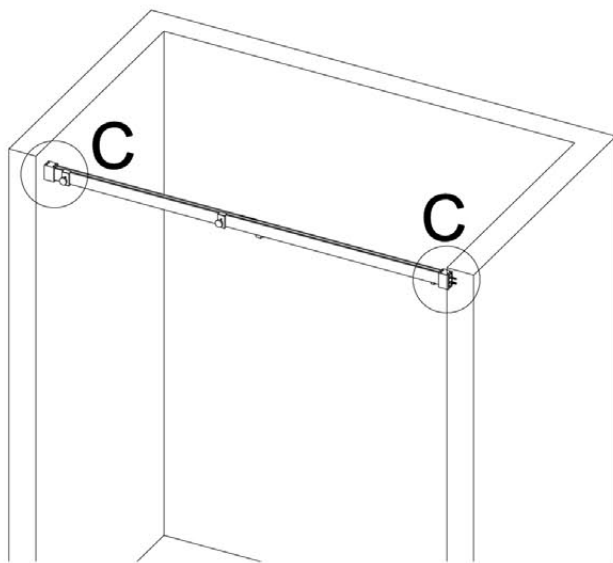
*Same wall bracket punching data for both walls

- ② Drill the holes according to the drawn holes, making sure that there is no offset of the holes. The wall bracket drilling positions of the left and right walls need to be in alignment and on the same horizontal and vertical plane. The vertical surface of wall bracket drilling position is 1 3/8" away from exterior vertical surface of your threshold.

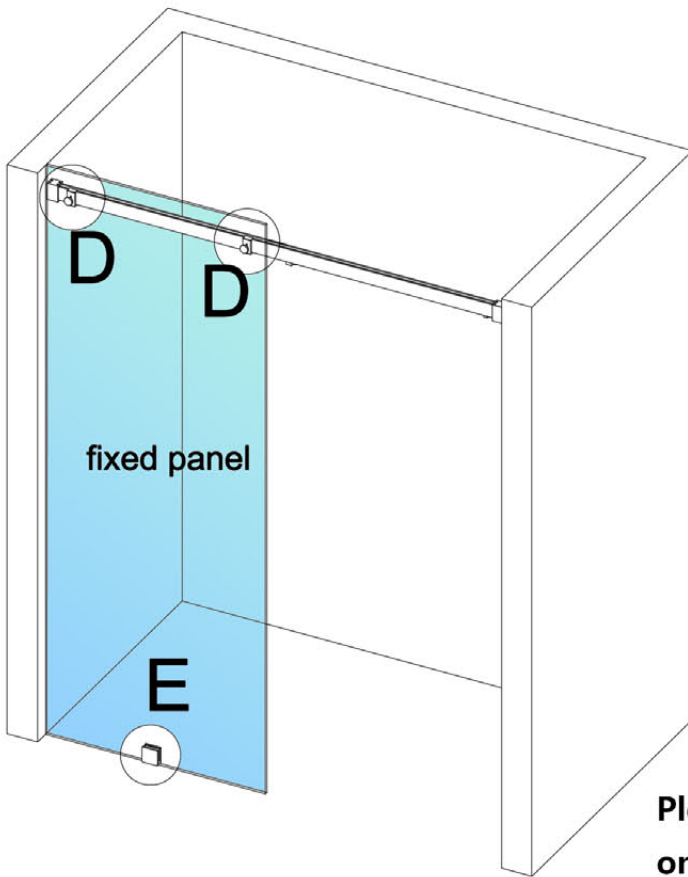




③ If the guide rail need to be cut to match your shower opening please do it based on actual measurements. If stretch the product installation width please adjusting the insertion depth of the wall bracket to the guide rail without cutting the guide rail. SS13 has maximum installation width stretch of 1/2" for each size. Please place the soft-closes and glass fastener bases into the guide rail as illustrated.



④ Please place the guide rail on the two wall brackets as shown and tighten the fixing screws of the wall brackets. After the installation of the guide rail, please use the level ruler to measure whether the level.



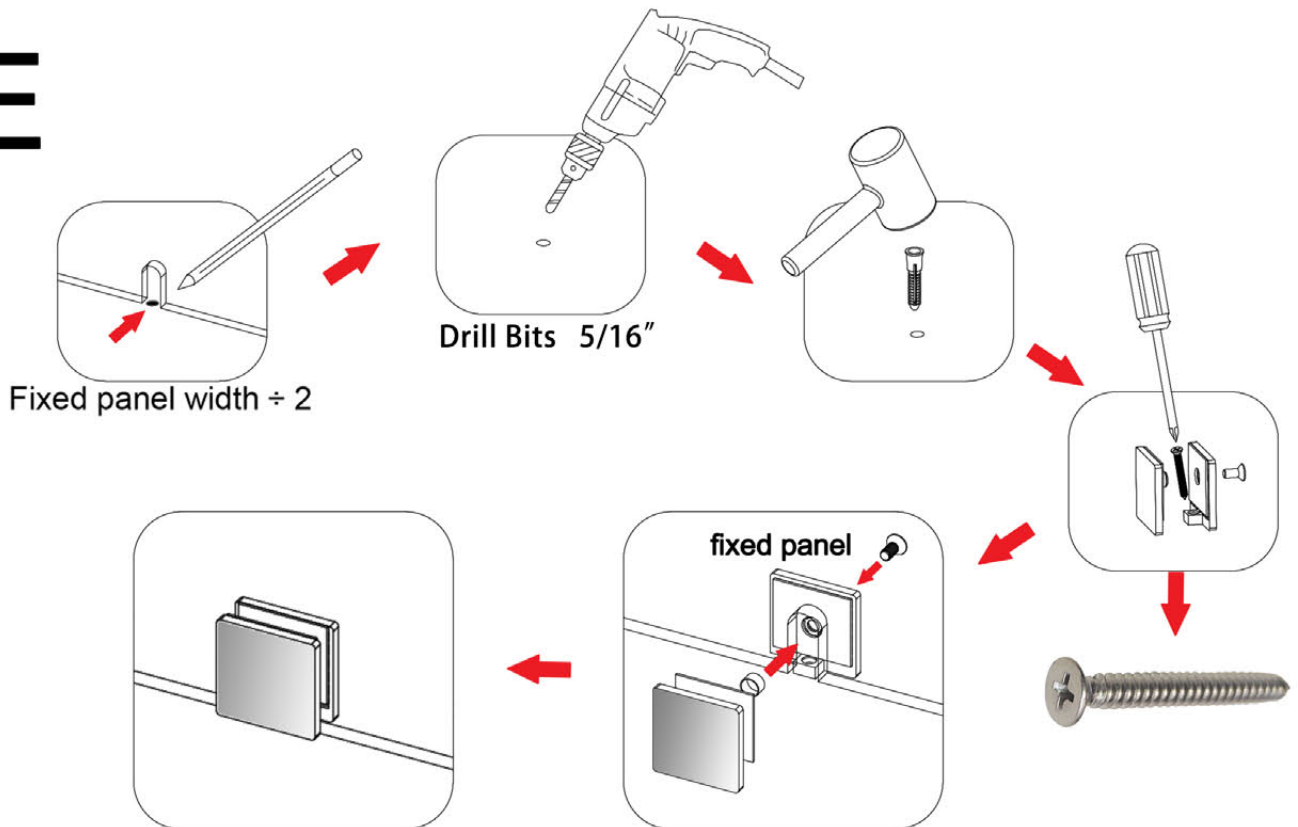
D



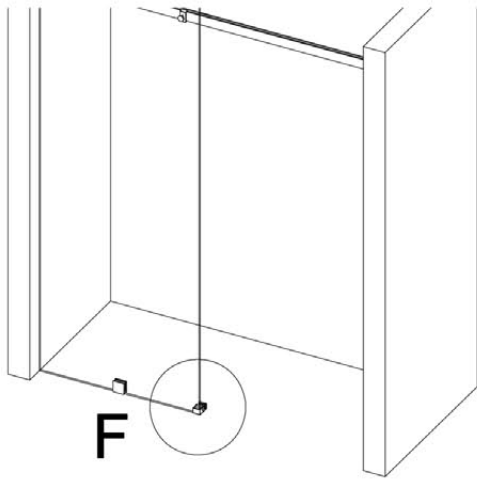
- ⑤ Choose the direction of your opening.
The glass fastener will be placed to install on the fixed glass side, then push glass fastener base to the fixed glass hole to install glass fastener. Install the glass fasteners at the top of fixed glass according to the illustration.

Please note. Do not remove the clear adhesive on the base, it will serve as protection

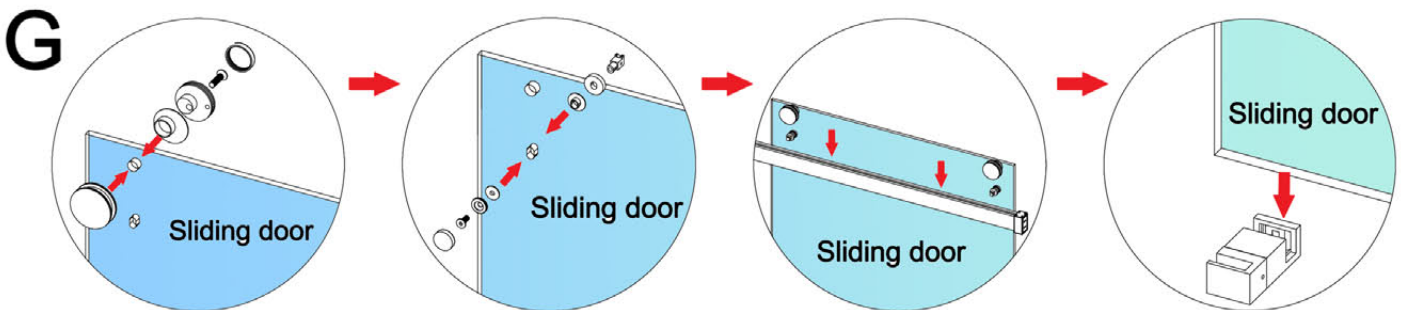
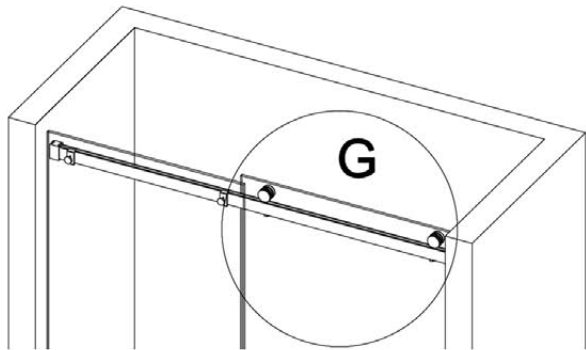
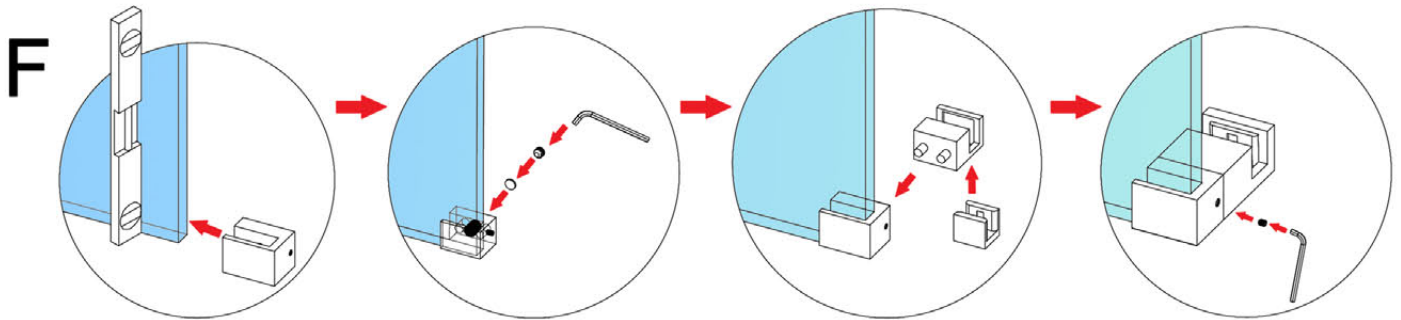
E



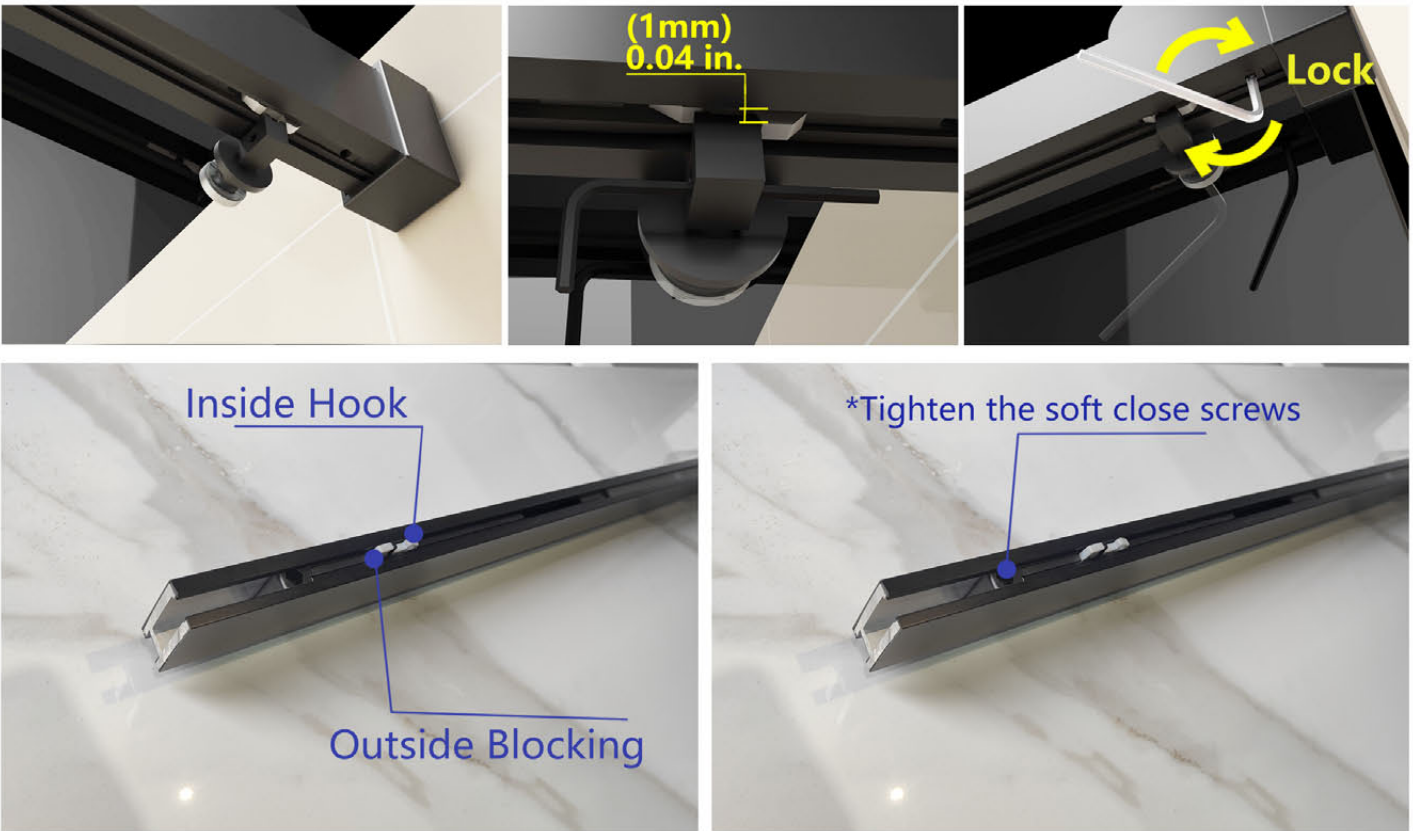
- ⑥ Install the glass bracket at the bottom of fixed glass according to the illustration. Make sure that the glass is vertical, draw the hole-punching point, move the glass out of the way, punch the holes, and then install the glass bracket



⑦ After the fixed glass installation is completed, please measure the glass with level ruler to confirm the vertical and horizontal of the glass and then install the glass guide block. Ensure the vertical condition of the fixed glass after the guide block is installed.

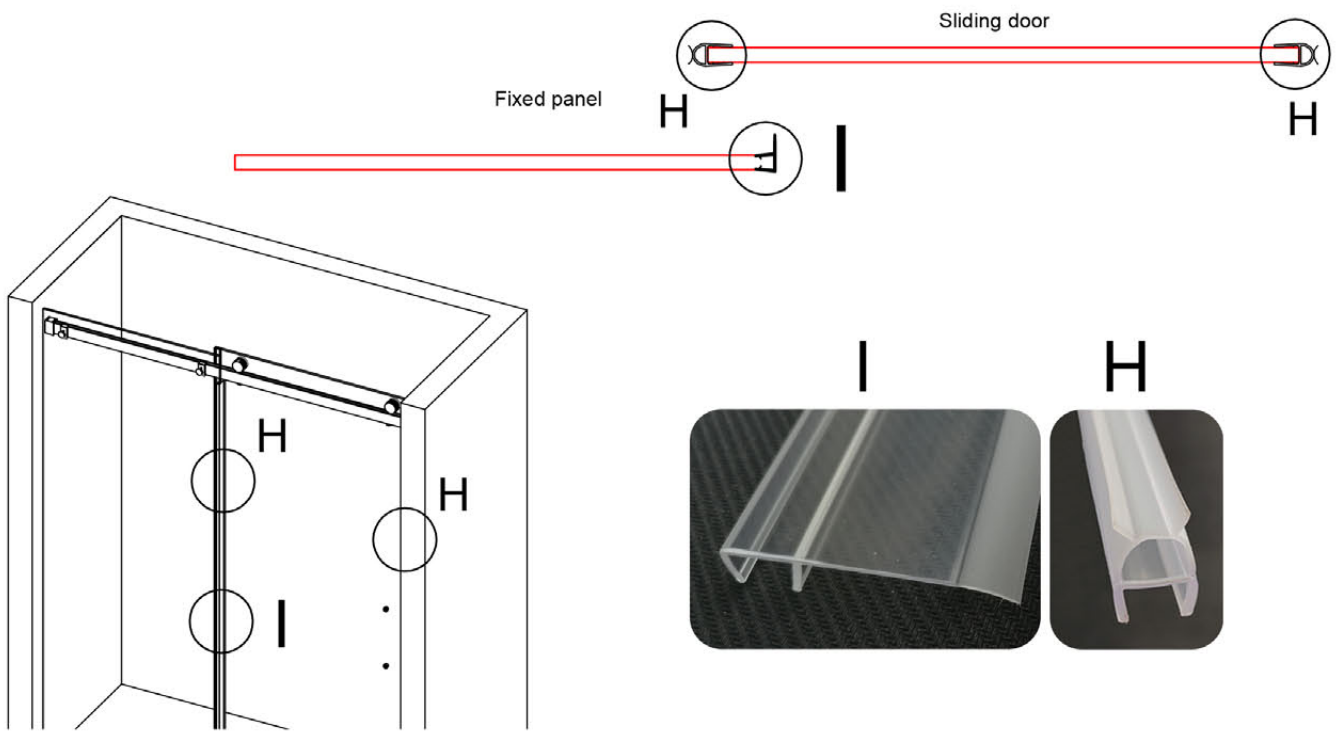


⑧ Installation of sliding glass: Install the rollers according to the illustration and hang the sliding glass to the top of the guide rail, the bottom of sliding glass should be placed into the groove of guide block, use level to confirm the level of the glass after completion. The height and level of the glass can be adjusted slightly by adjusting the rollers, through this adjustment can be adapted to the shower with a little wall offset, each wall offset preferably not more than 1/4".

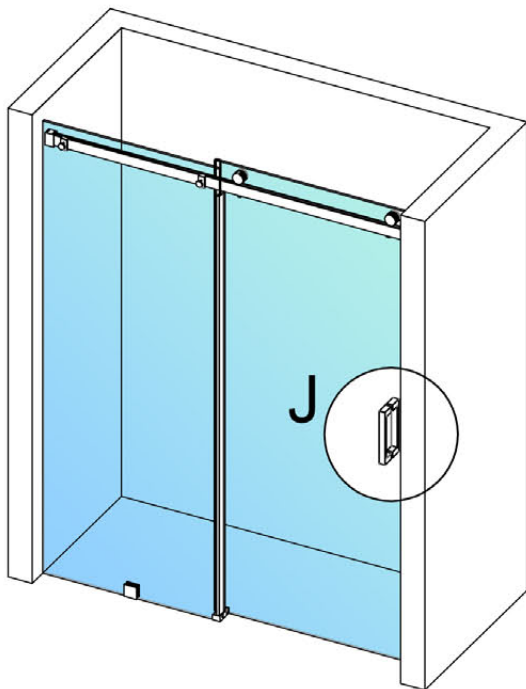


⑨ Soft-close fixed position: please adjust the soft-close to the right position after the door is closed (need to allow for the width of door seal, you can install door seal before test). Because the soft-close position will determine the closing position, determine the soft-close position after the door is closed then tighten the 2 soft-close's screw on a total of 4 screws. Set screws will be drilled into the top of the guide rail to fix the soft-closes, soft-close screws not tightened may lead to soft-close displacement or damage. The distance between the outside of soft close and the wall is 1 1/8".

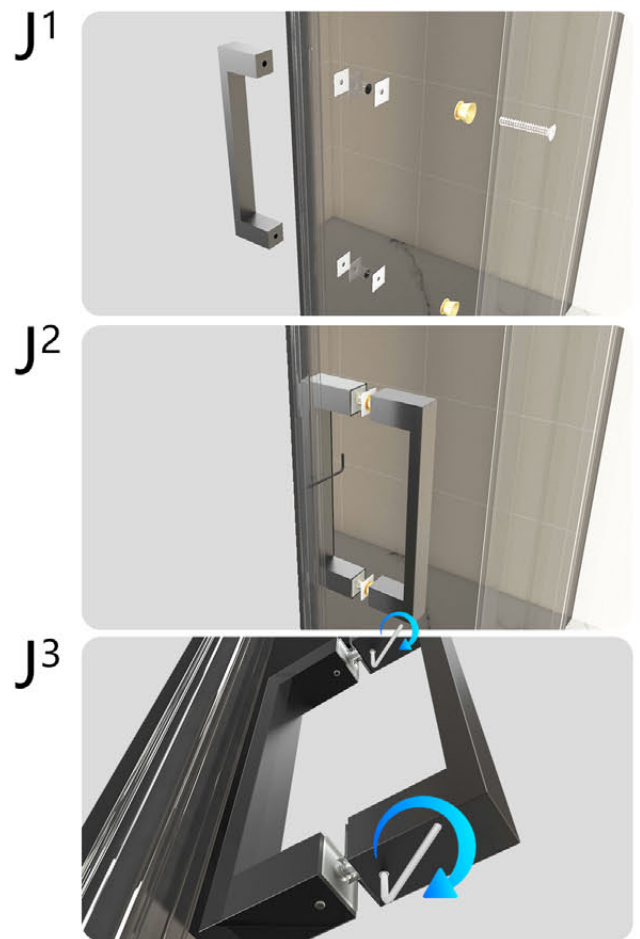
Soft-close installation notes: Adjust the top height of anti-jump knob to snap into soft-close groove then tighten soft-close screw to fix the door closed position. Adjust height for the top of anti-jump knob to 0.04" (1mm) from the bottom to soft-close groove, small gap. Then lightly open and close door to test soft-close. **Do not force the door shut or force it into the groove during test period to avoid damage.** Please make adjustments according to the actual situation. When open the door, the anti-jump knob can be easily detached from groove, and groove can reach the opening position correctly. When close the door, it can easily slide into groove to make soft-close. You did it.



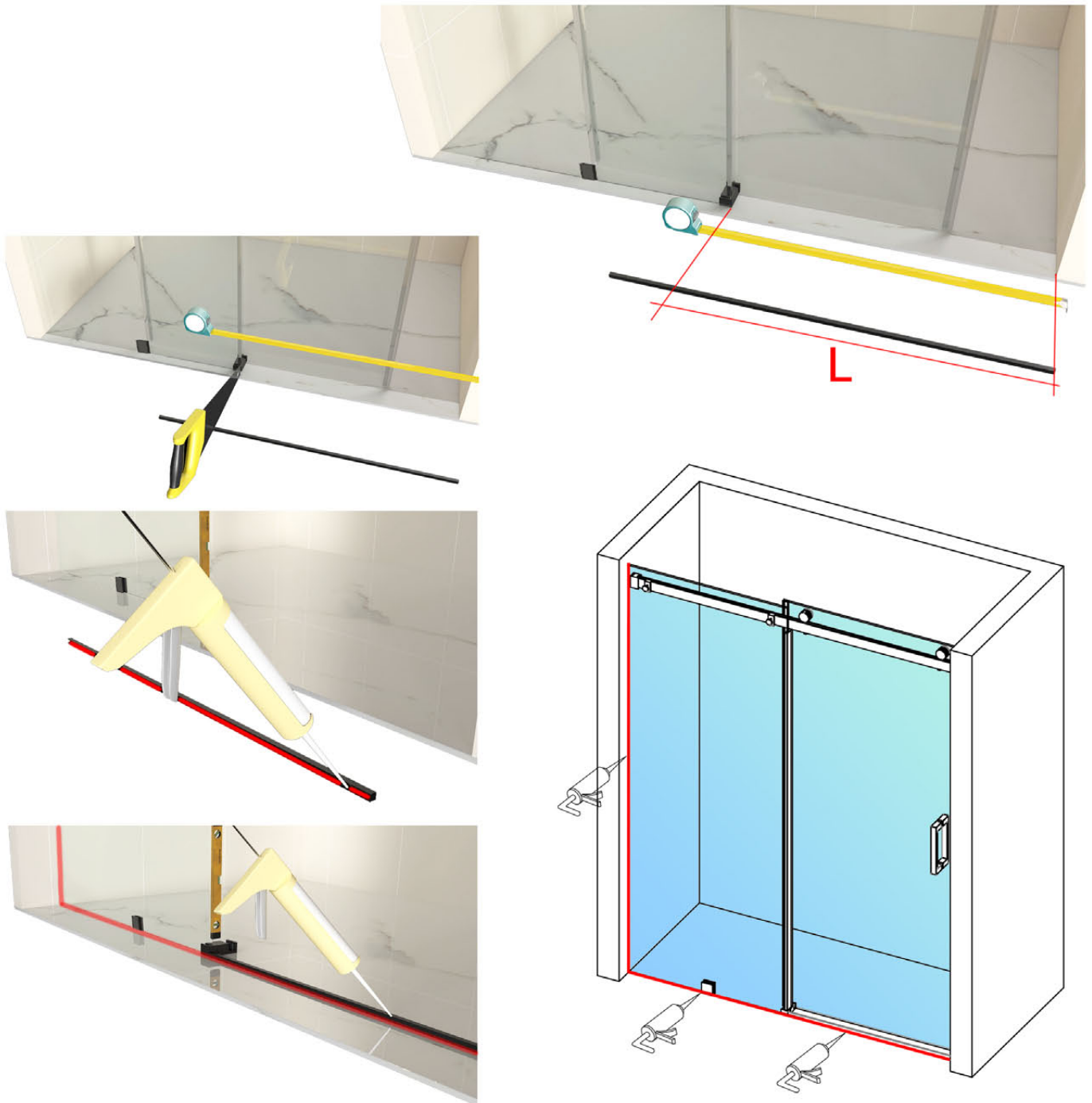
⑩ Install the door seal as illustrated, wide door seal should be installed on the fixed glass side. The top of wide door seal needs to be lower than the Anti Jumping Knob to avoid scraping. All door seals should be installed starting from the bottom and working upwards



Install the handle as illustrated.



⑪ Install the anti-splash threshold according to the guidelines, please cut to the right size according to the width of your shower opening. Clean up the garbage and dry the water and stains with a soft cloth after installation, then applying the glass glue.



Note: Please dry for 24 hours after the glass glue is applied before use.

SAFETY TIPS:

- 1** Do not remove the slide glass protect corners during installation, remove them only after installation is complete.
- 2** Wear protective equipment when drilling, cutting guide rail and anti-splash threshold.
- 3** Careful installation of the glass is required during installation, please do not step on the glass to avoid bumping.
- 4** Wait 24 hours after installation before using the shower.

SHOWER DOOR MAINTENANCE AND CARE:

- 1** Shower door glass is double-sided easy-clean glass. For daily cleaning using moist soft cloth to wipe away surface water and stains, reduce the use of cleaning agents to extend the easy-clean performance. It's recommended to use soft cloth to clean the residual water stains on the glass and hardware after shower. Silicone squeegee is available.
- 2** Do not use any sharp cleaning tools or cleaning agents with abrasive ingredients to clean the glass.
- 3** Caustic cleaners should not be used, such as alcohol. Long-term use of corrosive cleaners will cause discoloration of the hardware. Reducing the use of cleaners will prolong the use of the hardware&glass appearance. You can use small amount of anhydrous ethanol or detergent to clean stubborn water stains or calculus on the hardware.
- 4** Do not let the shower water directly wash the bottom of slide door.

TROUBLESHOOTING GUIDE AND NOTE

Wall bracket punching issues:

Q1: I got the vertical punching data, but I'm not sure horizontal data, please advise.

A1: When your threshold width is 3" or wider, the vertical surface of wall bracket drilling position can be in the middle of threshold. If your threshold width is less than 3", the vertical surface of wall bracket drilling position is 1 3/8" away from exterior vertical surface of threshold.

Shower door leaking issues:

Q1: The bottom of the slide door leaks, how should I do?

A1: Please confirm product wall bracket punching data are correct and the anti-splash threshold glue seals well without leaking, then following adjustment steps need to be made.

1. Adjust the angle of the shower head, avoid the shower water directly wash the bottom of the slide door.
2. Please adjust the height of the top roller to reduce the height of the glass. Complete these 2 steps would solve it, if there still leak please contact customer service for support.

TROUBLESHOOTING GUIDE AND NOTE

Soft-close installation issues:

Q1: The anti-jump knob can not drive the soft-close inner hook to open position when open the door, and resulting in the soft-close inner hook back to close the door position. How to solve it?(Anti-jump knob is too low)

A1: The height of anti-jump knob is too low, anti-jump knob distance from the bottom to the soft-close groove should be 0.04" (1mm). You can push the soft-close inner hook to the middle of open position, then close the door to slide anti-jump knob into the soft-close groove, adjust anti-jump knob upward and fixed to the right height. Then continue test soft-closing effect.

Q2: The knob can not slide into the groove when close the door or the knob makes loud noise against the inner hook.How to solve it?(Anti-jump knob is too high)

A2: The height of the knob is too high, anti-jump knob distance from the bottom to the soft-close groove should be 0.04" (1mm). Please lower the knob height slightly, fix it and close the door to slide anti-jump knob into the groove. Anti-jump knob needs close the soft-close inner hook when closing the door without hitting it. Then continue test.

Q3: There is a gap between the door and wall when completely close the door.How to solve it?(Soft close fixed position is incorrect)

A3: This situation is due to the incorrect fixing position of the soft close, the fixing position of the soft close will determine the closing position. Please loosen soft close fixing screws and move it to the outside to the right position, the distance between the outside of soft close and the wall is 1 1/8". Please make adjustments according to the actual situation.

Please contact our customer service to confirm the return steps before returning or get order replacement.

**Customer Service(Technical Support):
470-926-8618
321-946-6293**

More Info Please Visit:

www.mcocodsupport.com

Return Address:

**•4800 Little John St. Baldwin Park,
CA 91706**

**•309 Dodd Blvd SE,STE 1, Rome,
GA 30161**