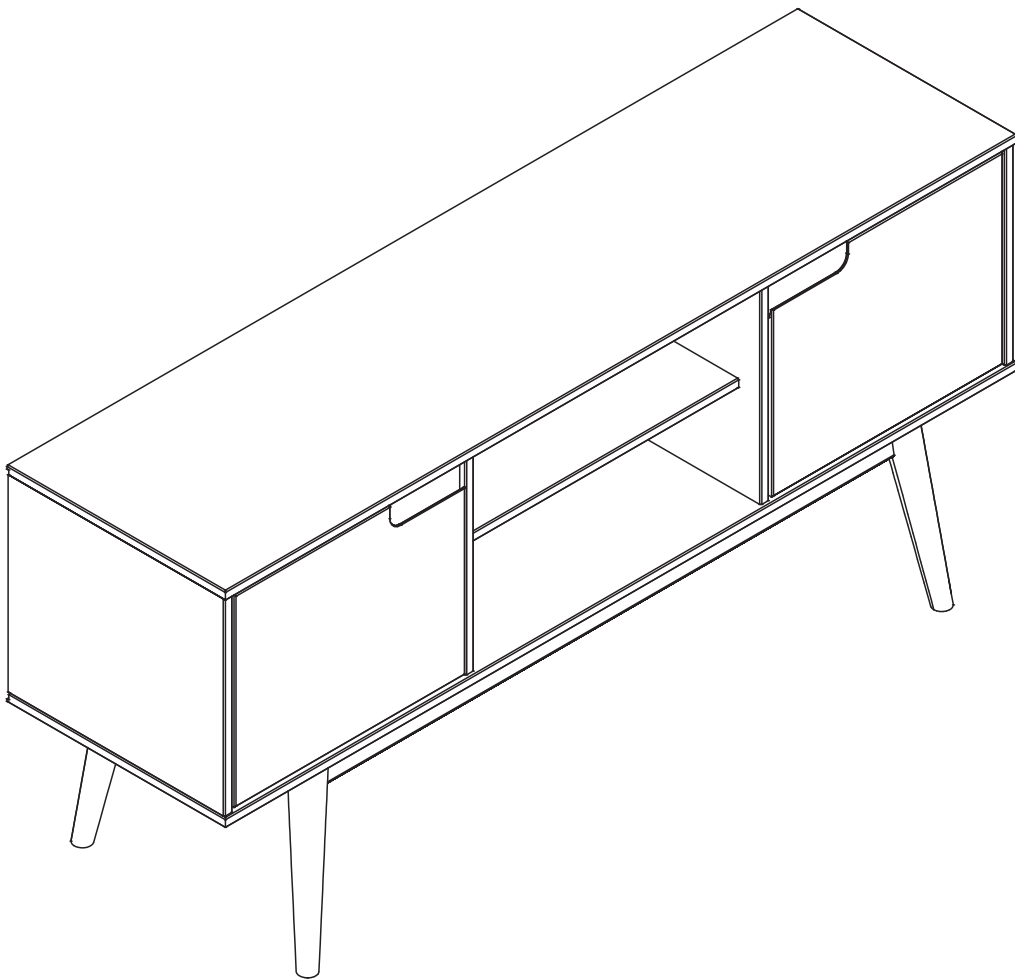
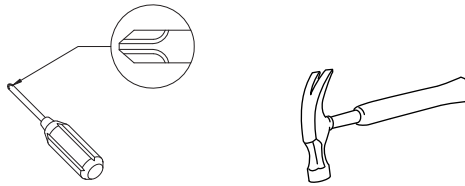


Assembly Instructions

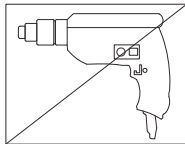


General Assembly Guidelines

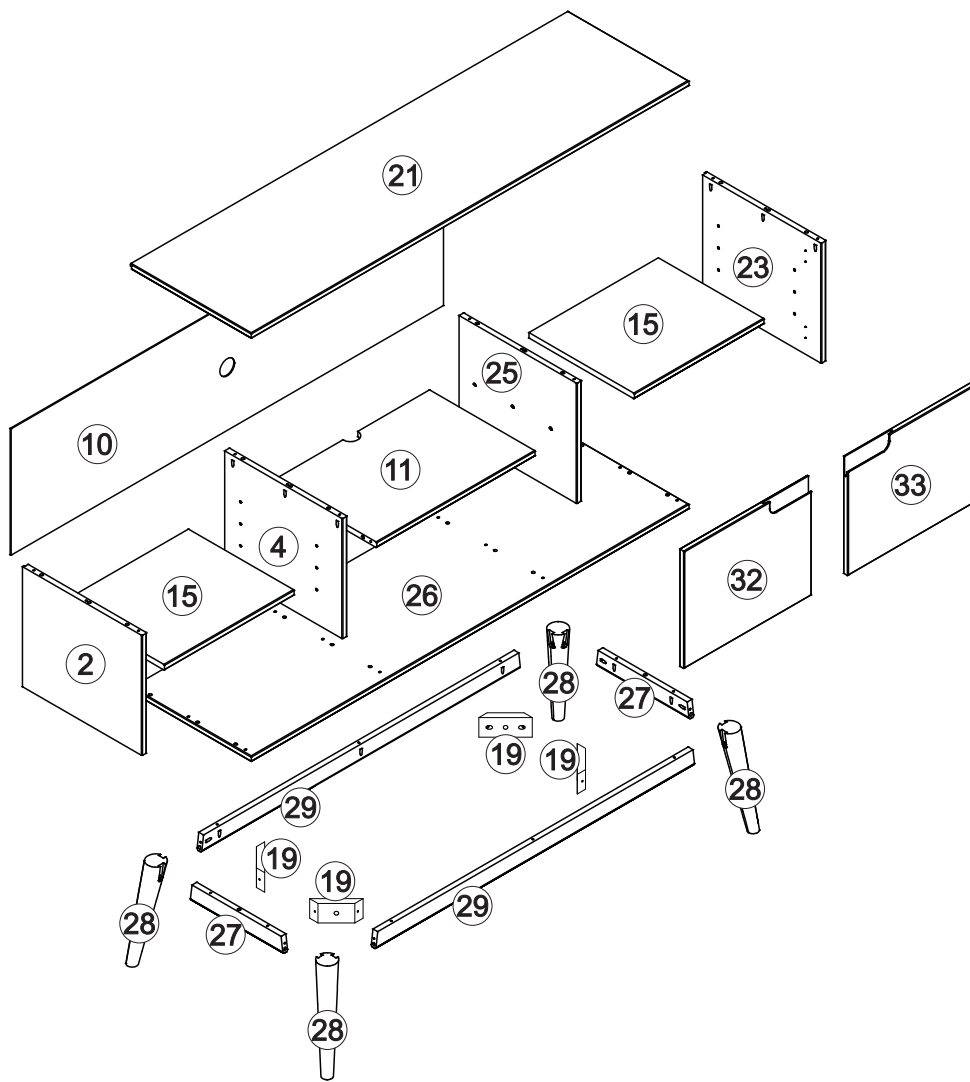
- I. Ensure that all parts and hardware are available before beginning assembly.
- II. Follow each step carefully to ensure the proper assembly of this product.
- III. Two people are recommended for ease in the assembly of this product.
- IV. The three main types of hardware used to assemble this product are wood dowels, screws and bolts.
- V. A Phillips head screwdriver and hammer is required for the assembly of this product.



- V I. Power tools should not be used to assemble this product.



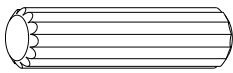


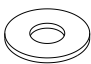


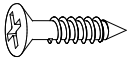

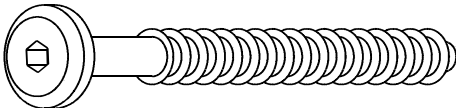


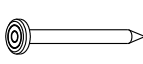
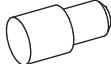

Parts List

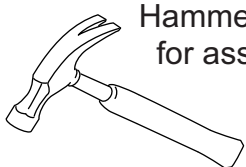


Part #	Description	Qty
2	Left side panel	01 pc
4	Left center panel	01 pc
10	Back panel	01 pc
11	Center shelf	01 pc
15	Side shelf	02 pcs
19	Wooden angle bracket	04 pcs
21	Top panel	01 pcs
23	Right side panel	01 pcs

Part #	Description	Qty
25	Right center panel	01 pcs
26	Base	01 pcs
27	Foot crossbeam	02 pcs
28	Foot	04 pcs
29	Front / Back crossbeam	02 pcs
32	Left door	01 pcs
33	Right door	01 pcs

Hardware List

A		Ø8*30mm	Wooden dowel	44 pcs
B		Ø4*30mm	Screw	28 pcs
C		Ø4*40mm	Screw	13 pcs
E			Washer	02 pcs
F		Ø3,5*25mm	Screw	08 pcs
G			Wall anchor	01 pc
H		Ø4*16mm	Screw	26 pcs
I			Hing	04 pcs
J		Ø7*60mm	Screw	08 pcs
K		4mm	Hex Key	01 pc
L			Corner	02 pcs
M		Ø10*10mm	Nail	22 pcs
N		Ø8*14mm	Support	08 pcs
O		Ø6*30mm	Wooden dowel	08 pcs




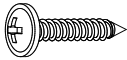


Hammer recommended
for assembly (not included)

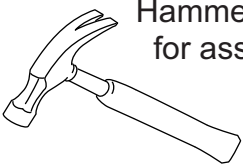


Philips head screwdriver required
for assembly (not included)

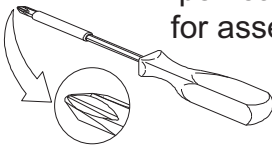
*The hardware quantities listed above are required for proper assembly.
Some extra hardware may also have been included.*

Hardware List

P		Ø6*35mm		01 pc
Q		Ø4*16mm	Screw	01 pc
R		Ø8mm	Bump Stop	02 pcs
S			Oval Cover Decal	04 pcs



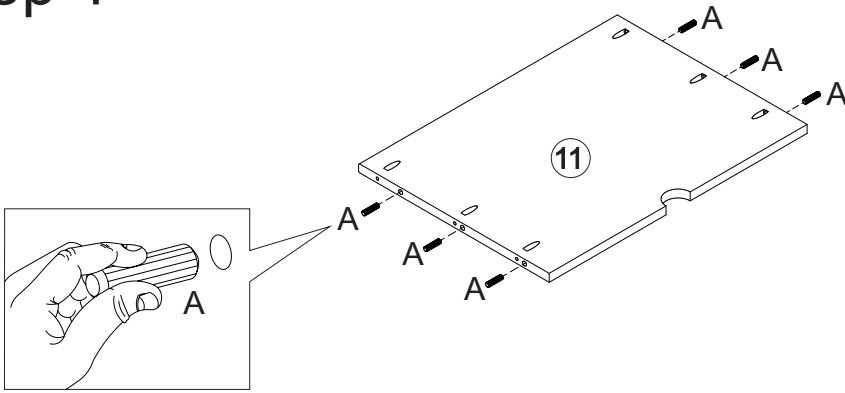
Hammer recommended
for assembly (not included)



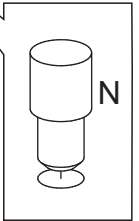
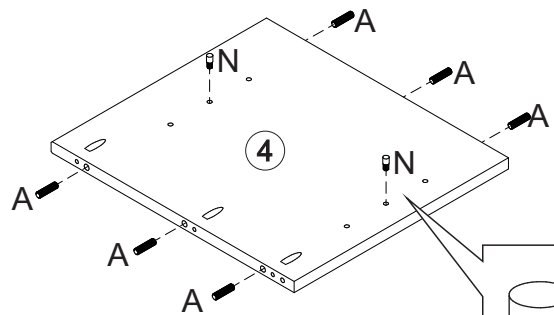
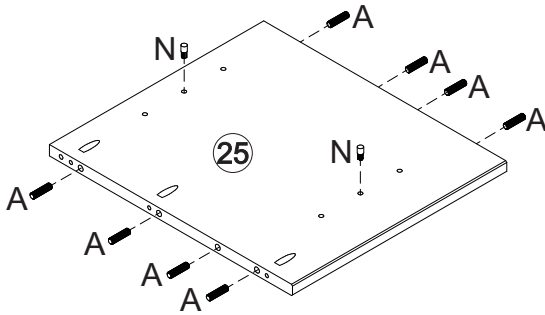
Philips head screwdriver required
for assembly (not included)

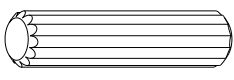
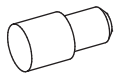
*The hardware quantities listed above are required for proper assembly.
Some extra hardware may also have been included.*

Step 1



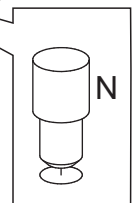
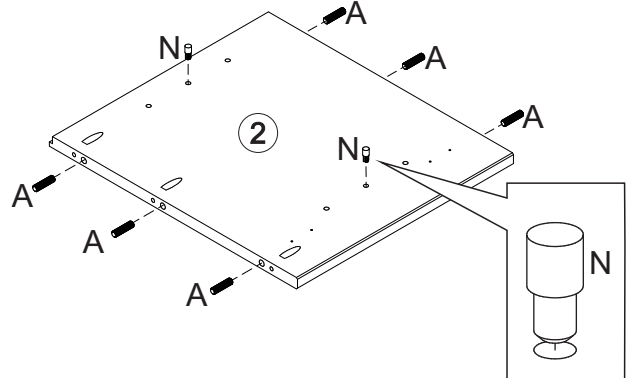
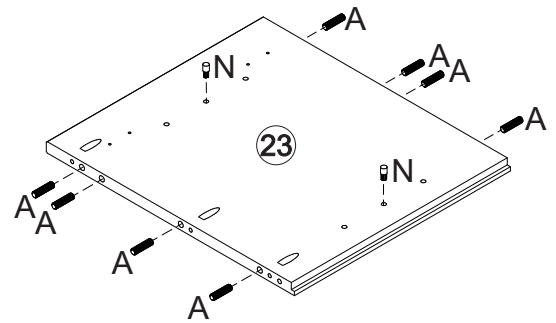
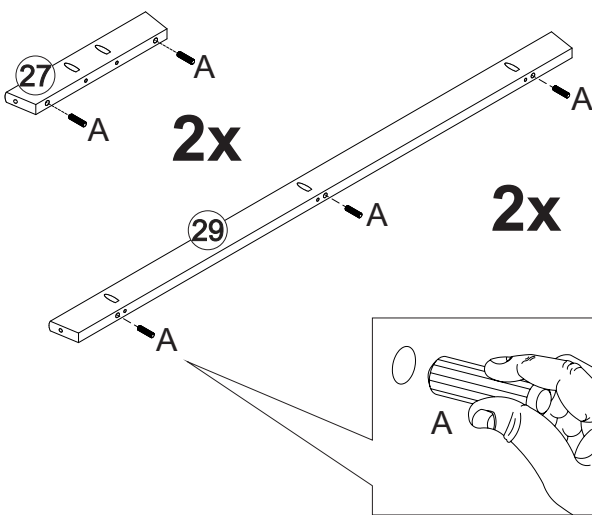
! Please assemble on a clean soft surface to avoid damage.



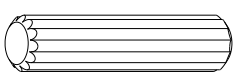
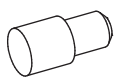
A		20 Ø8*30mm
N		04 Ø8*14mm

Insert wood dowel (A) into parts (4), (11) and (25).
Insert support (N) into parts (4) and (25).

Step 2

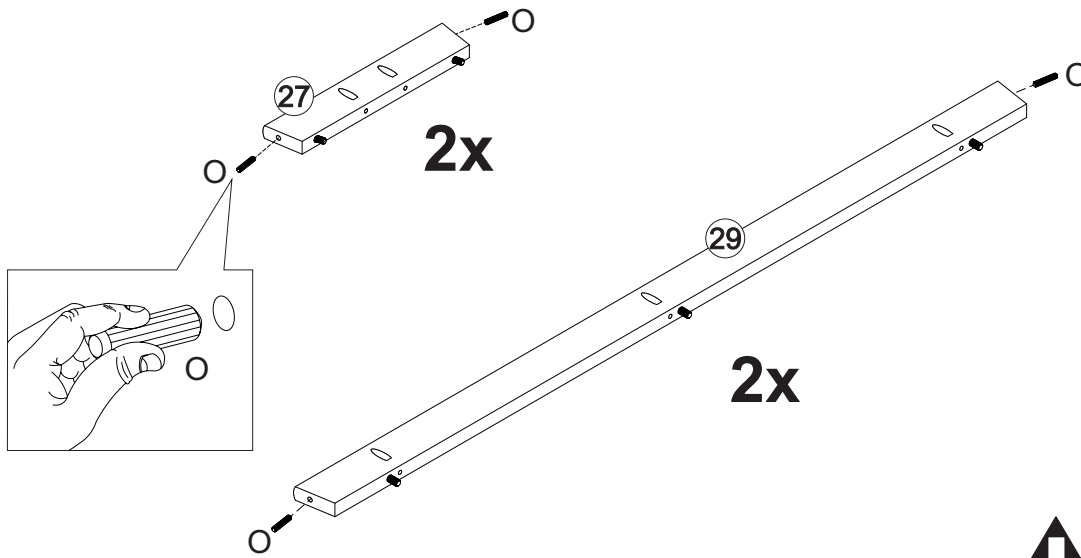


! Please assemble on a clean soft surface to avoid damage.

A		24 Ø8*30mm
N		04 Ø8*14mm

Insert wood dowel (A) into parts (2), (23), (27) and (29).
Insert support (N) into parts (2) and (23).

Step 3

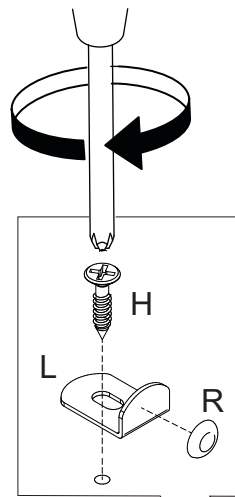


! Please assemble on a clean soft surface to avoid damage.

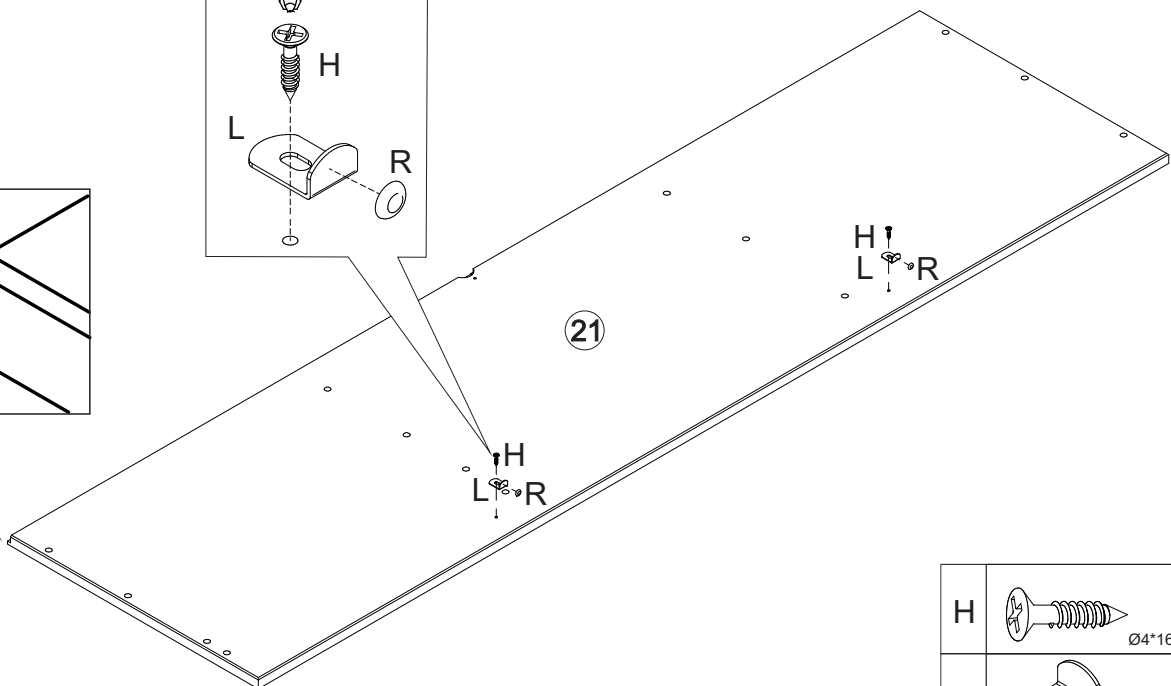
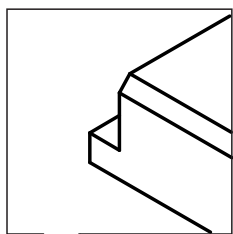
Insert wood dowel (O) into parts (27) and (29).

O		08 Ø6*30mm
---	--	---------------

Step 4



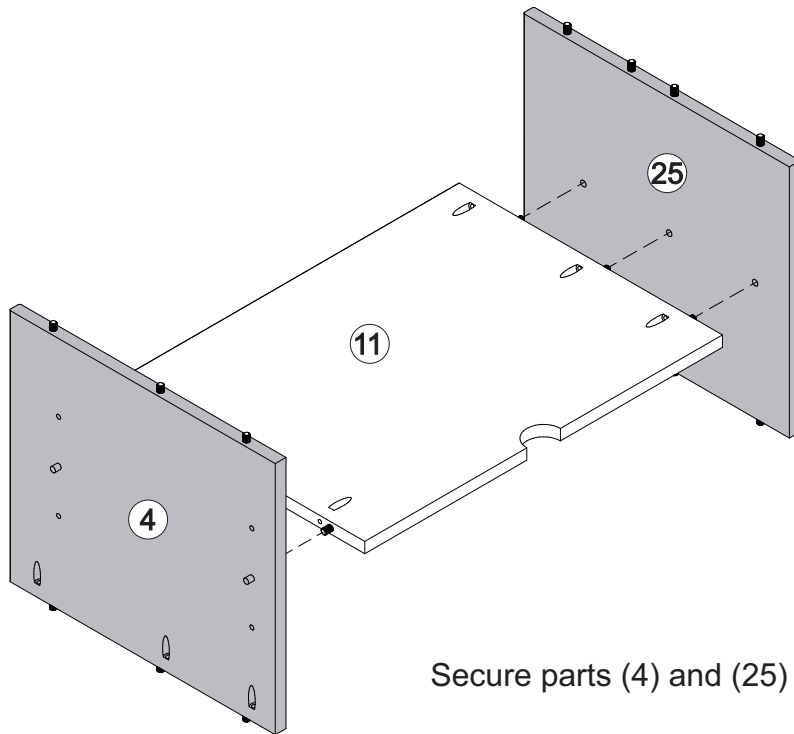
! Please assemble on a clean soft surface to avoid damage.



Attach the accessory (R) to the accessory (L), then secure everything to the part (21) with a screw (H) and a Phillips screwdriver.


H		02 Ø4*16mm
L		02
R		02

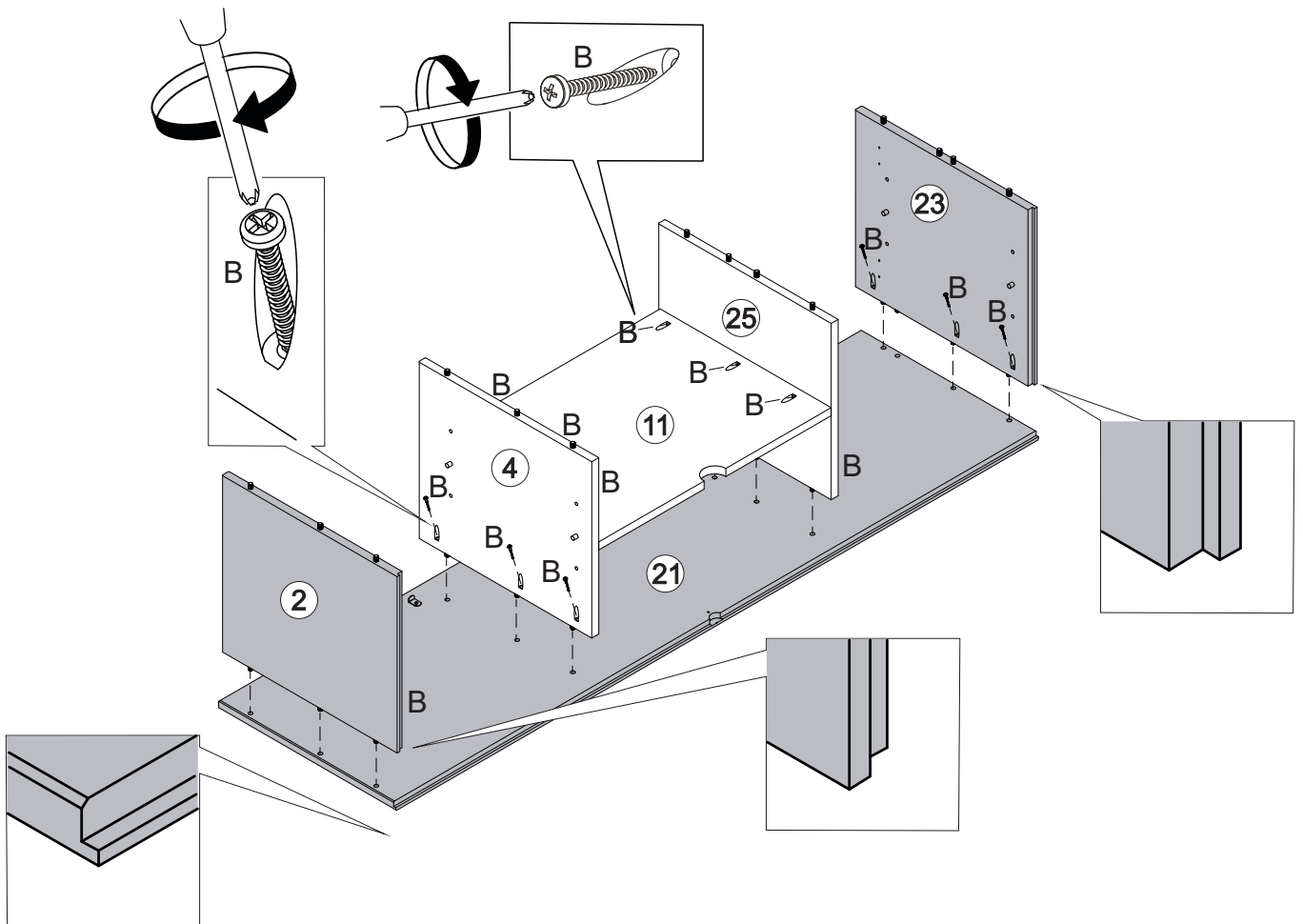
Step 5



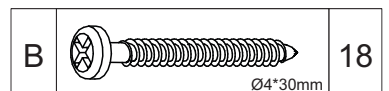
Secure parts (4) and (25) to part (11).

Step 6

 Please assemble on a clean soft surface to avoid damage.



Secure part (2), (4), (23) and (25) to part (21) with screw (B) and a Phillips screwdriver.

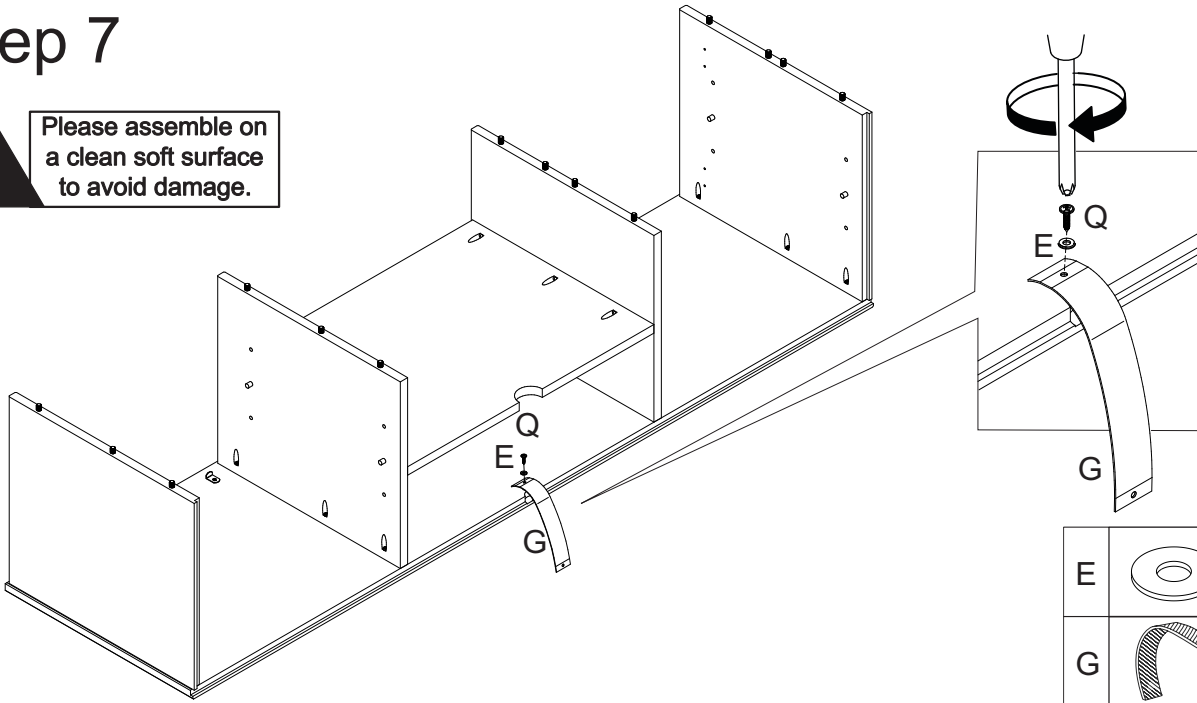



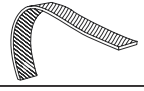
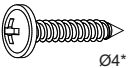
Attach part (11) to parts (4) and (25) using screw (B) and a Phillips screwdriver.

Step 7



Please assemble on a clean soft surface to avoid damage.



E		01
G		01
Q		01

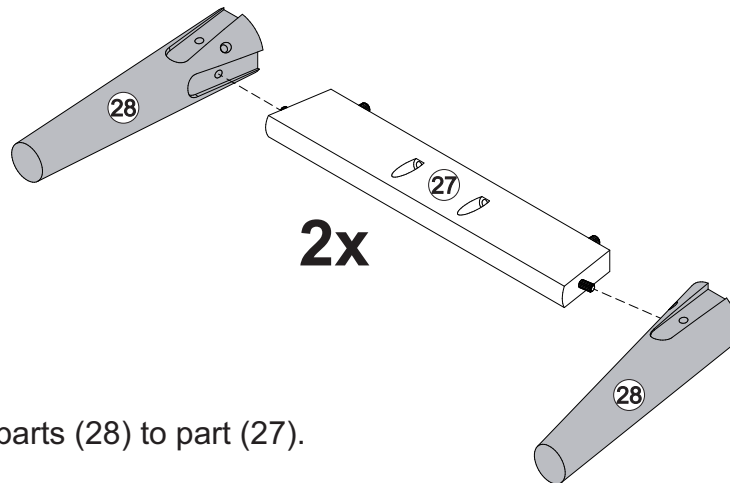
Ø4*16mm

Attach the accessories (E) and (G) to the part (21) with a screw (Q) and a Phillips screwdriver.

Step 8



Please assemble on a clean soft surface to avoid damage.

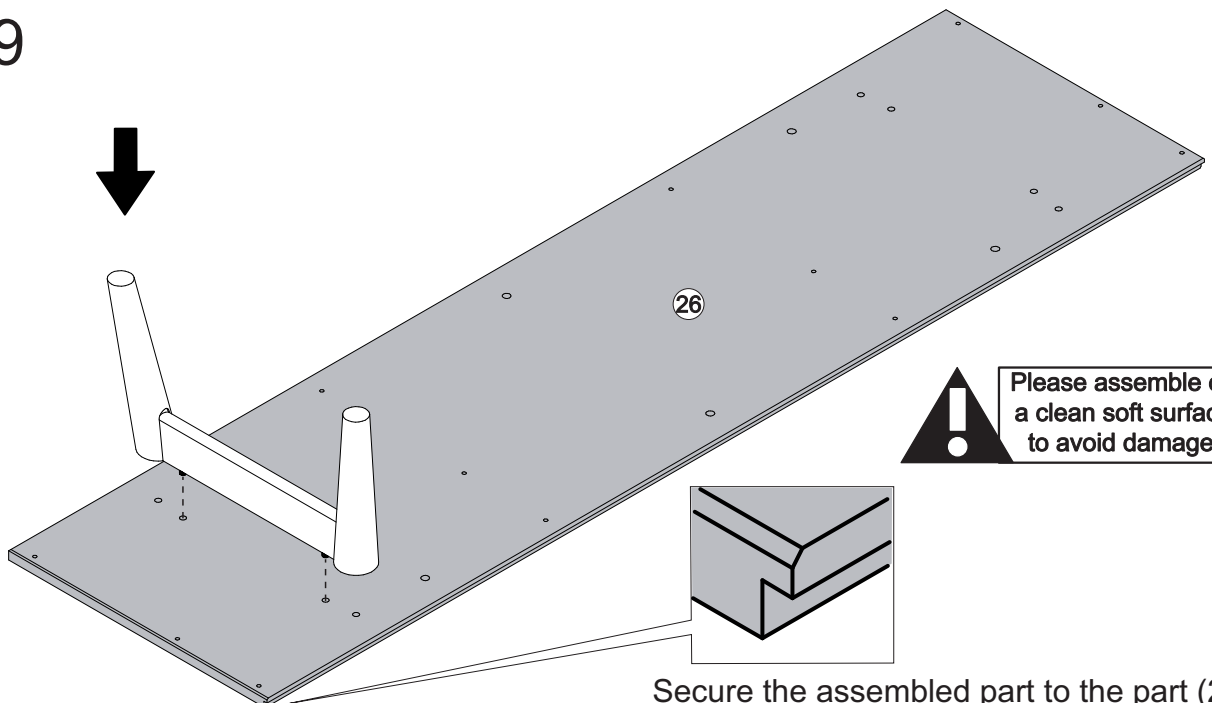


Secure parts (28) to part (27).

Step 9

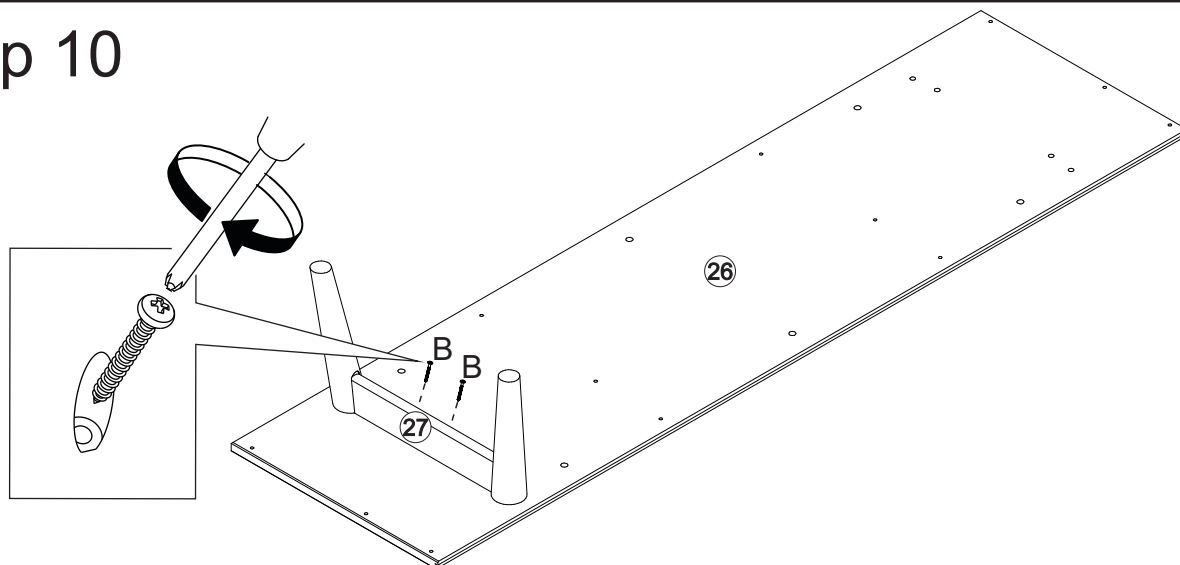


Please assemble on a clean soft surface to avoid damage.

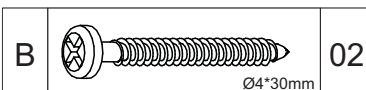


Secure the assembled part to the part (26).

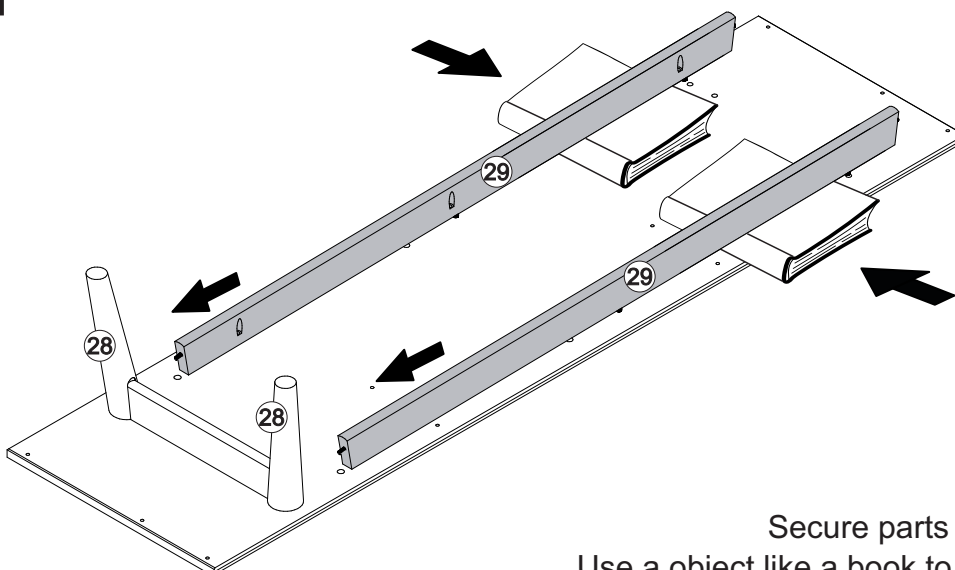
Step 10



Attach the assembled part to the base (26) using screw (B) and Phillips head screwdriver.

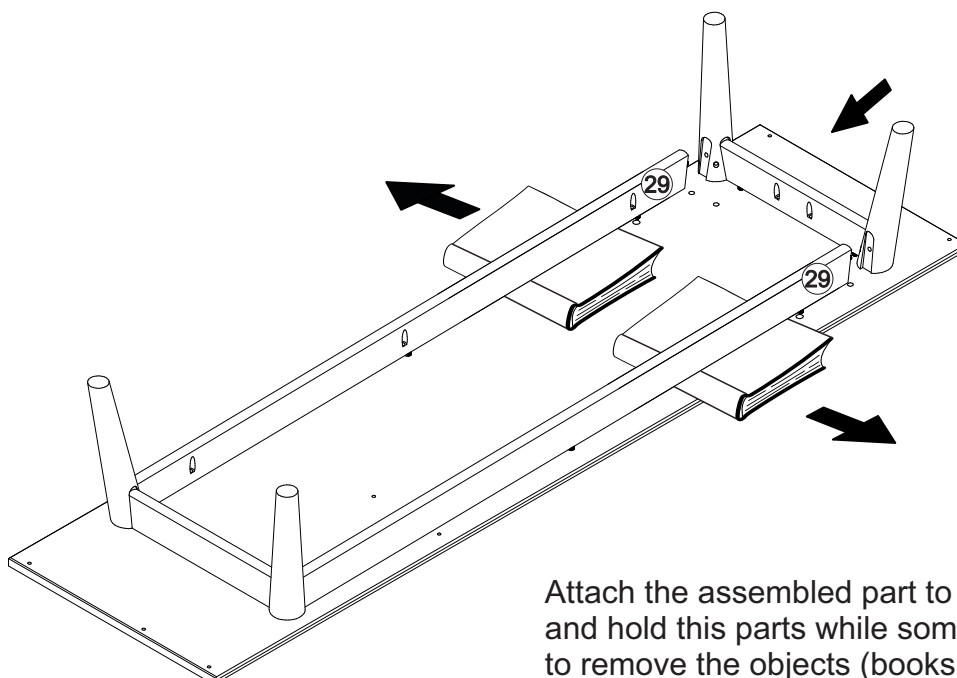


Step 11



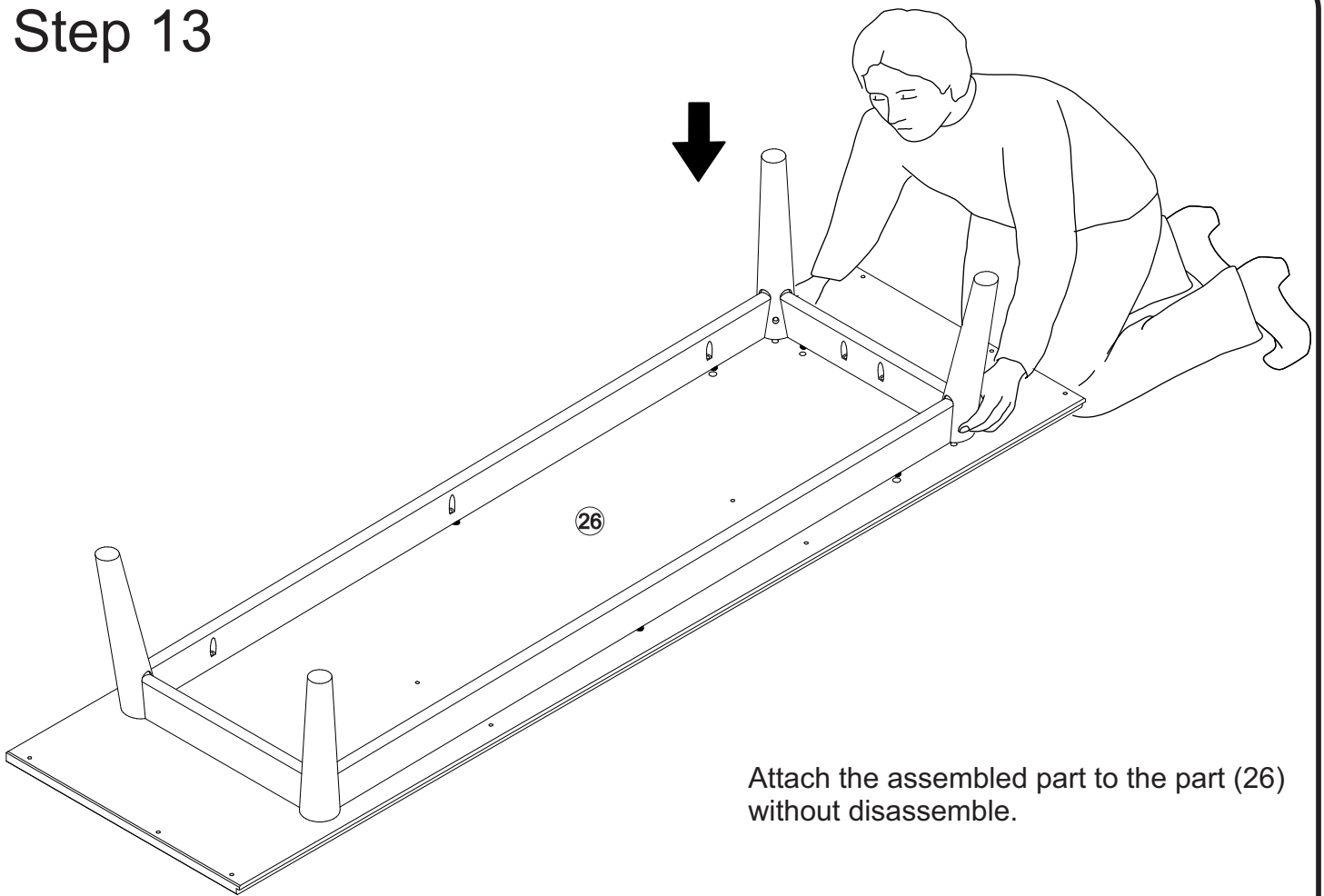
Secure parts (29) to parts (28).
Use a object like a book to support part (29).

Step 12



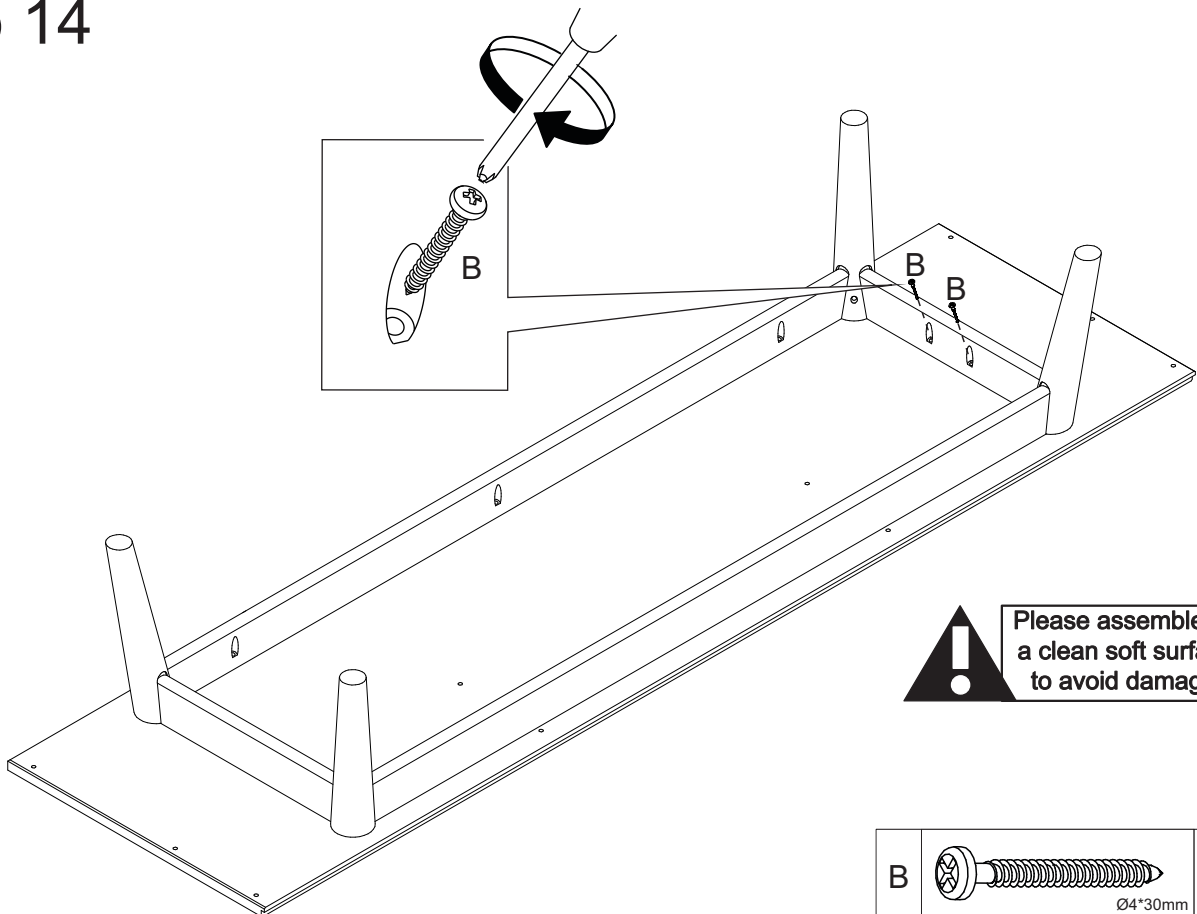
Attach the assembled part to the parts (29) and hold this parts while someone help to remove the objects (books).

Step 13

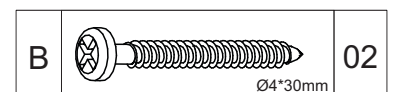


Attach the assembled part to the part (26) without disassemble.

Step 14

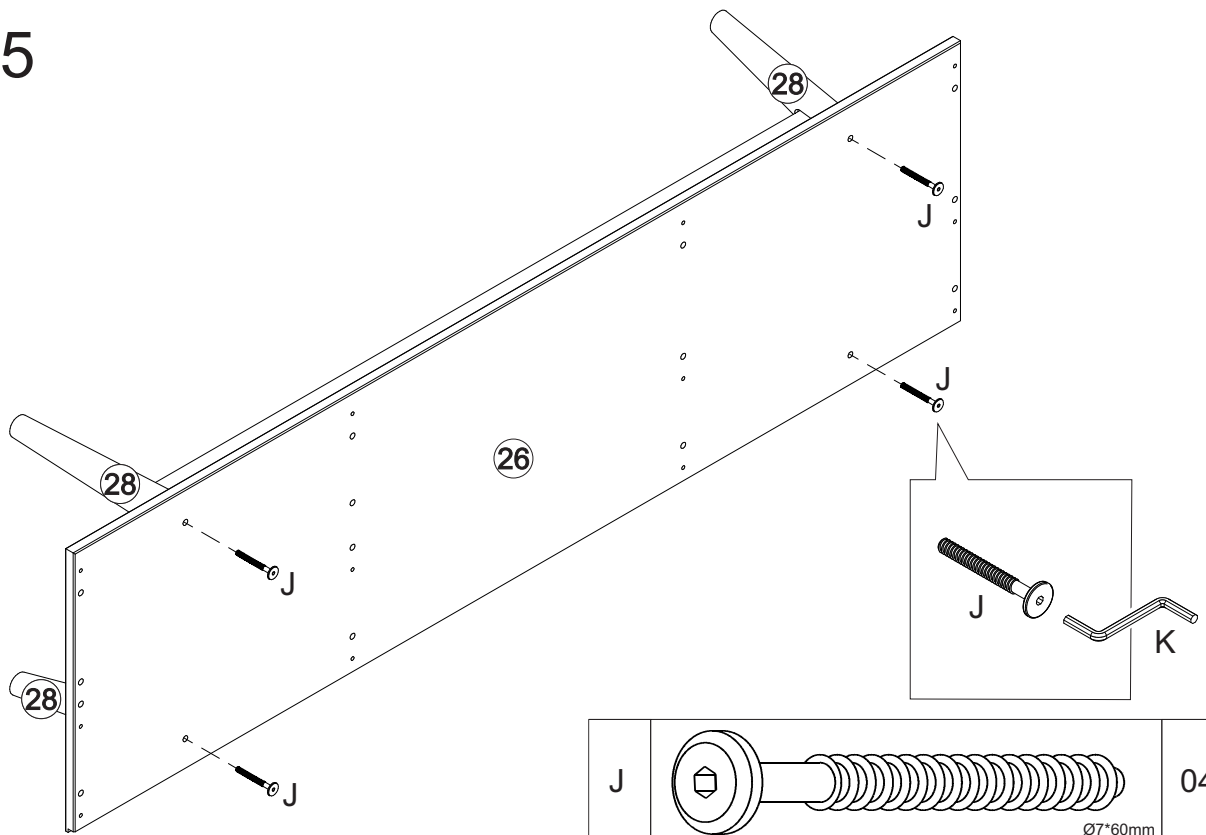


! Please assemble on a clean soft surface to avoid damage.




Attach the assembled part to the base (26) using screw (B) and Phillips head screwdriver.

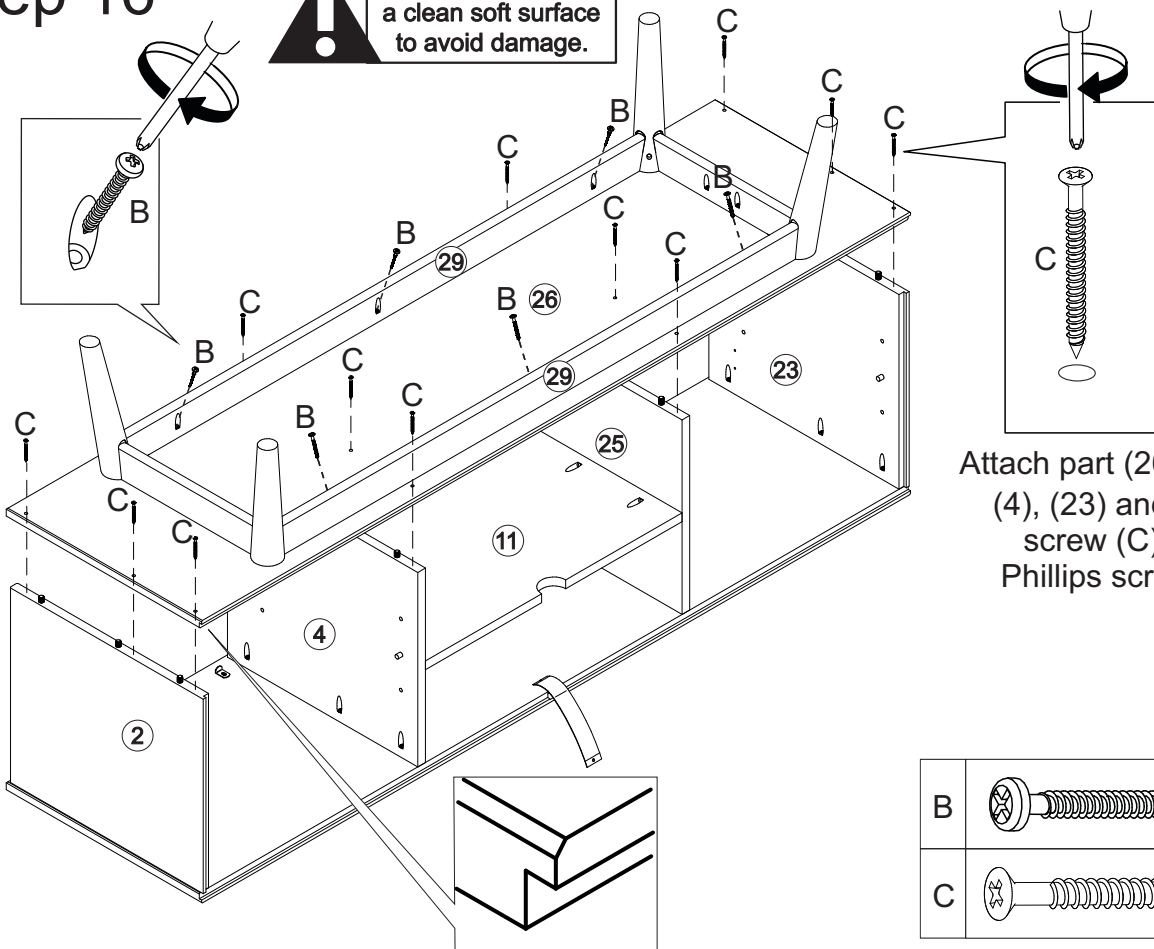
Step 15



Attach the foot (28) to the base (26) using screw (J) and hex key (K).

Step 16

 Please assemble on a clean soft surface to avoid damage.



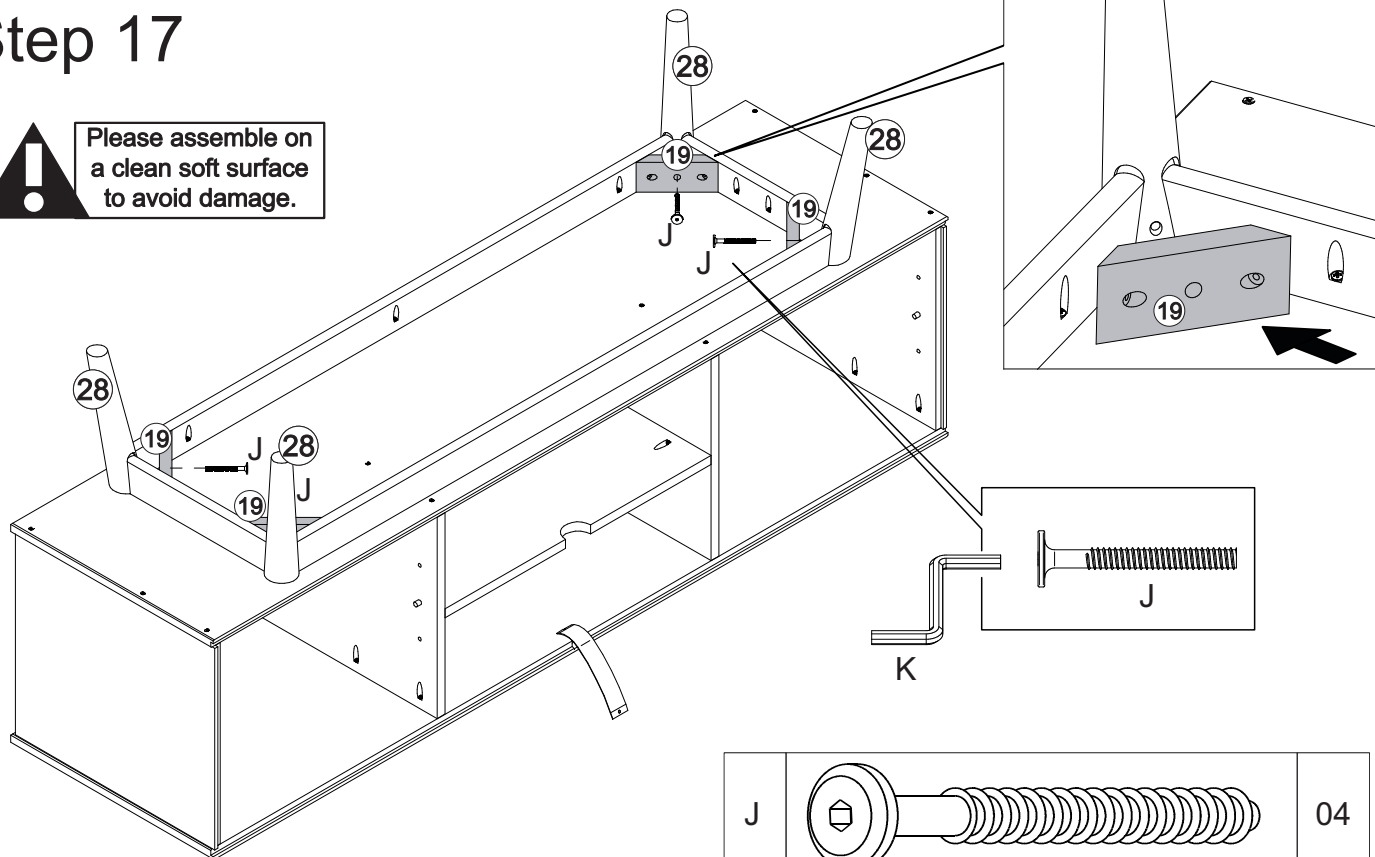
Attach part (26) to parts (2), (4), (23) and (25) using screw (C) and a Phillips screwdriver.

Attach the part (29) to the base (26) using screw (B) and Phillips head screwdriver.

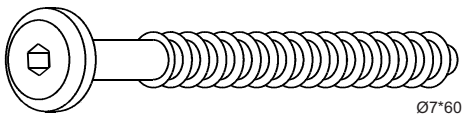

Step 17



Please assemble on a clean soft surface to avoid damage.



Join part (19) and (28) with screw (J) using Hex Key (K).

J		04
K		01

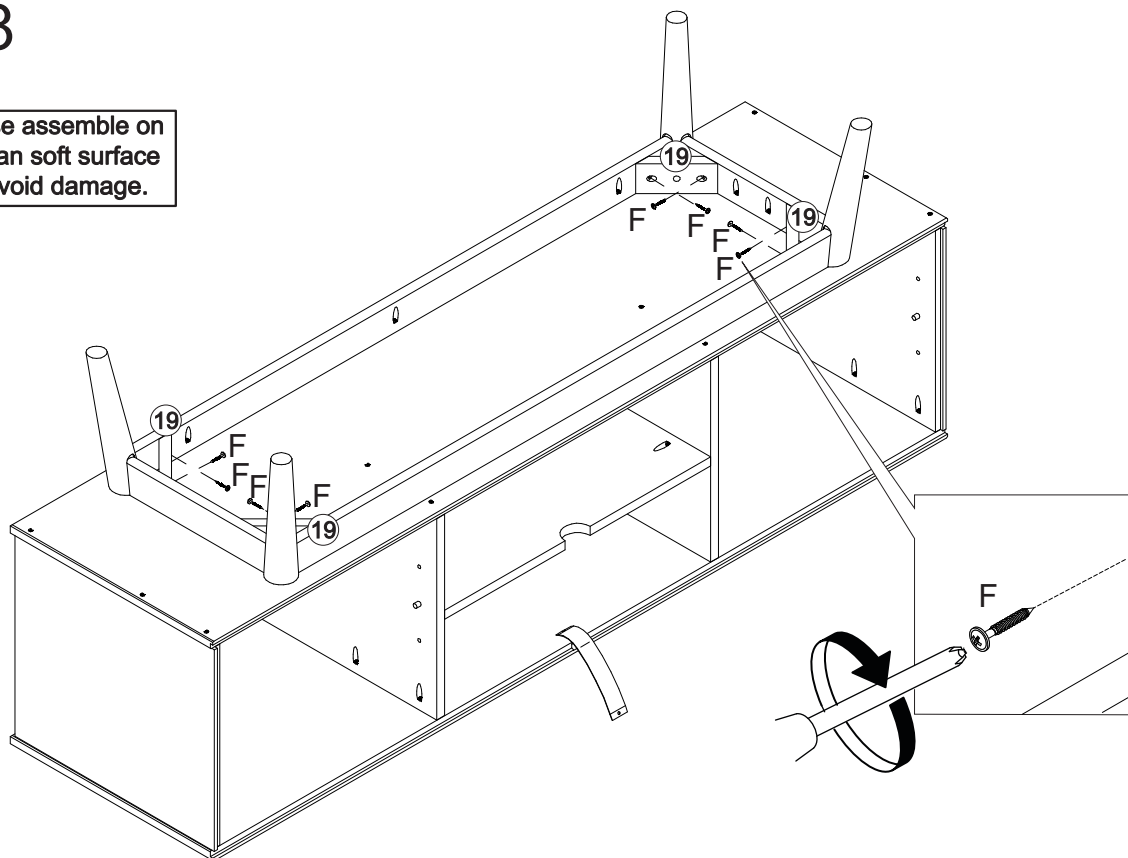
Ø7*60mm

4mm


Step 18



Please assemble on a clean soft surface to avoid damage.

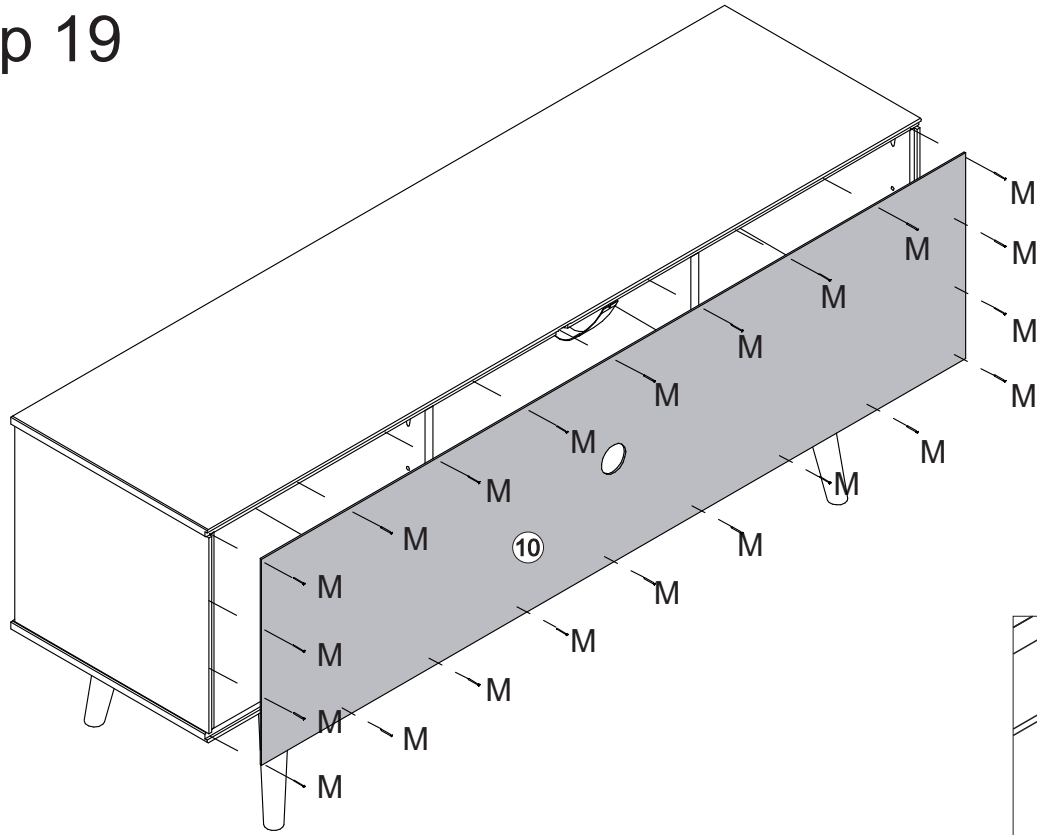


Fix the parts (19) to the body using the screw (F) and Phillips screwdriver.

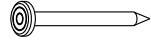
F		08
---	---	----

Ø3,5*25mm

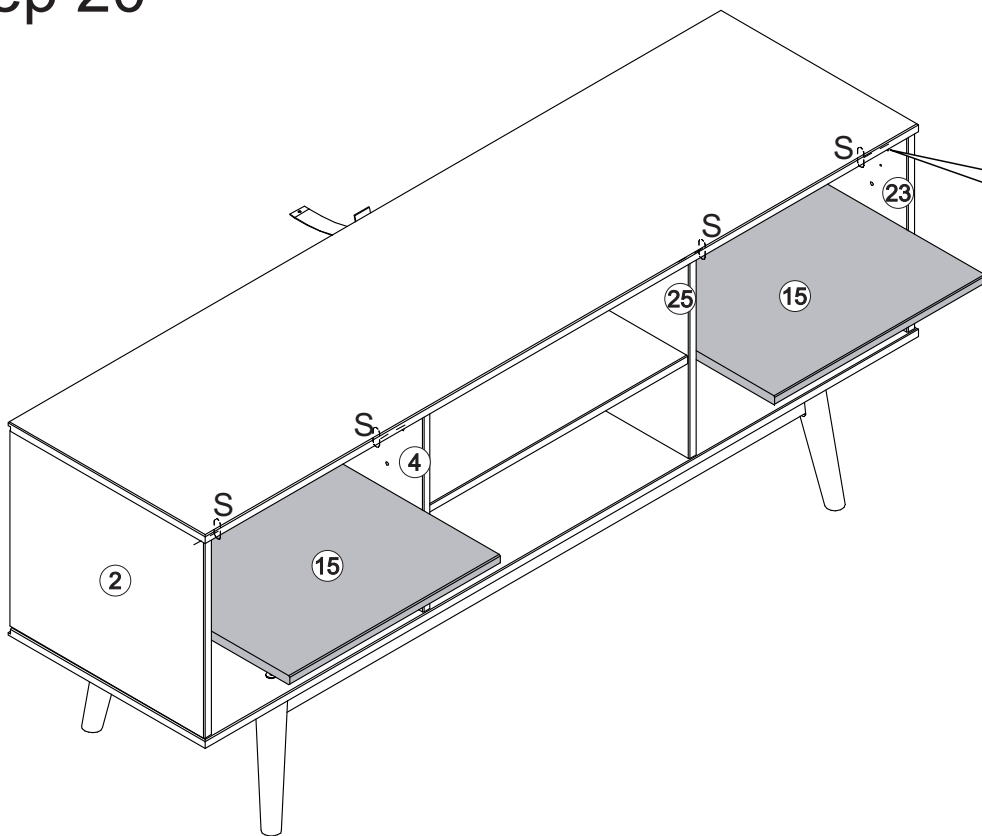
Step 19



Secure back panel (10) to body with nails (M) and hammer.

M		22
		Ø10*10mm

Step 20




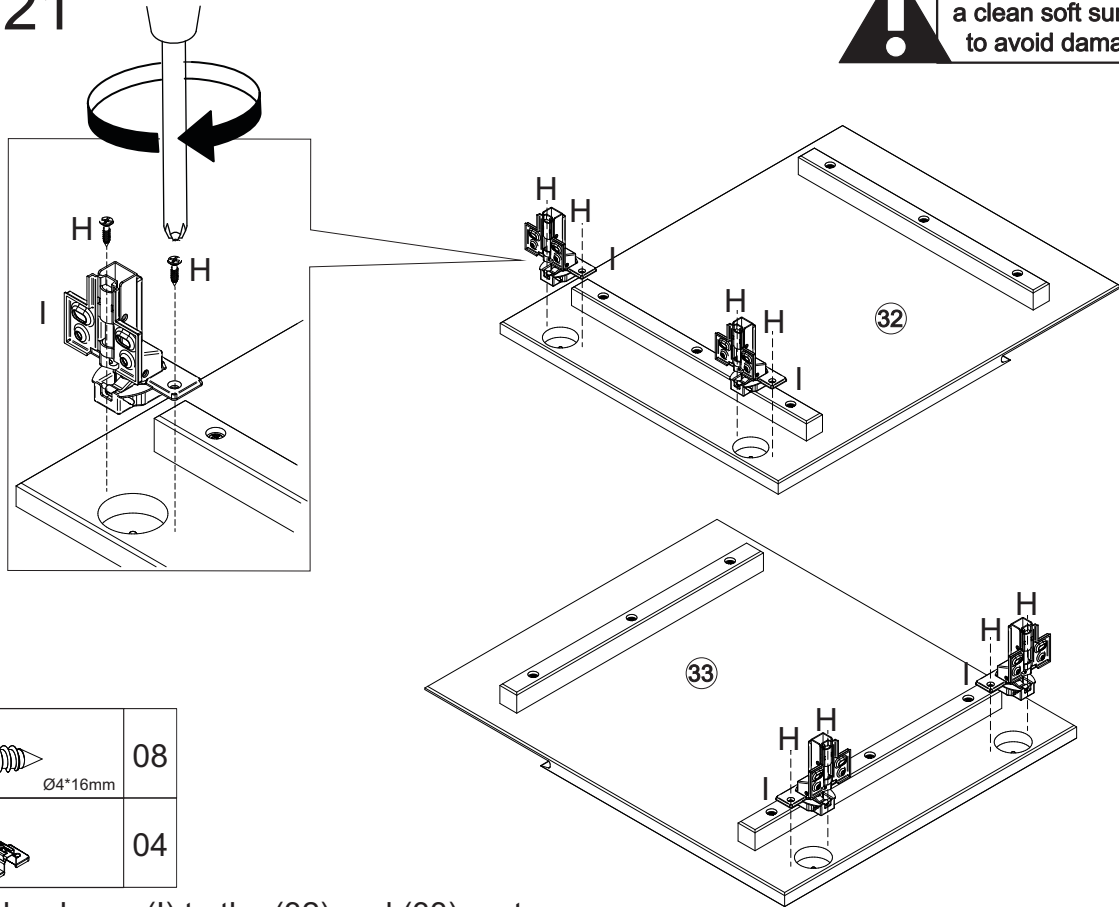
Insert the accessory (S) into the holes in the parts (2), (4), (23) and (25).

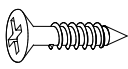
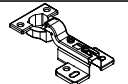
Insert parts (15) to the body of the product.

S		04
---	---	----

Step 21

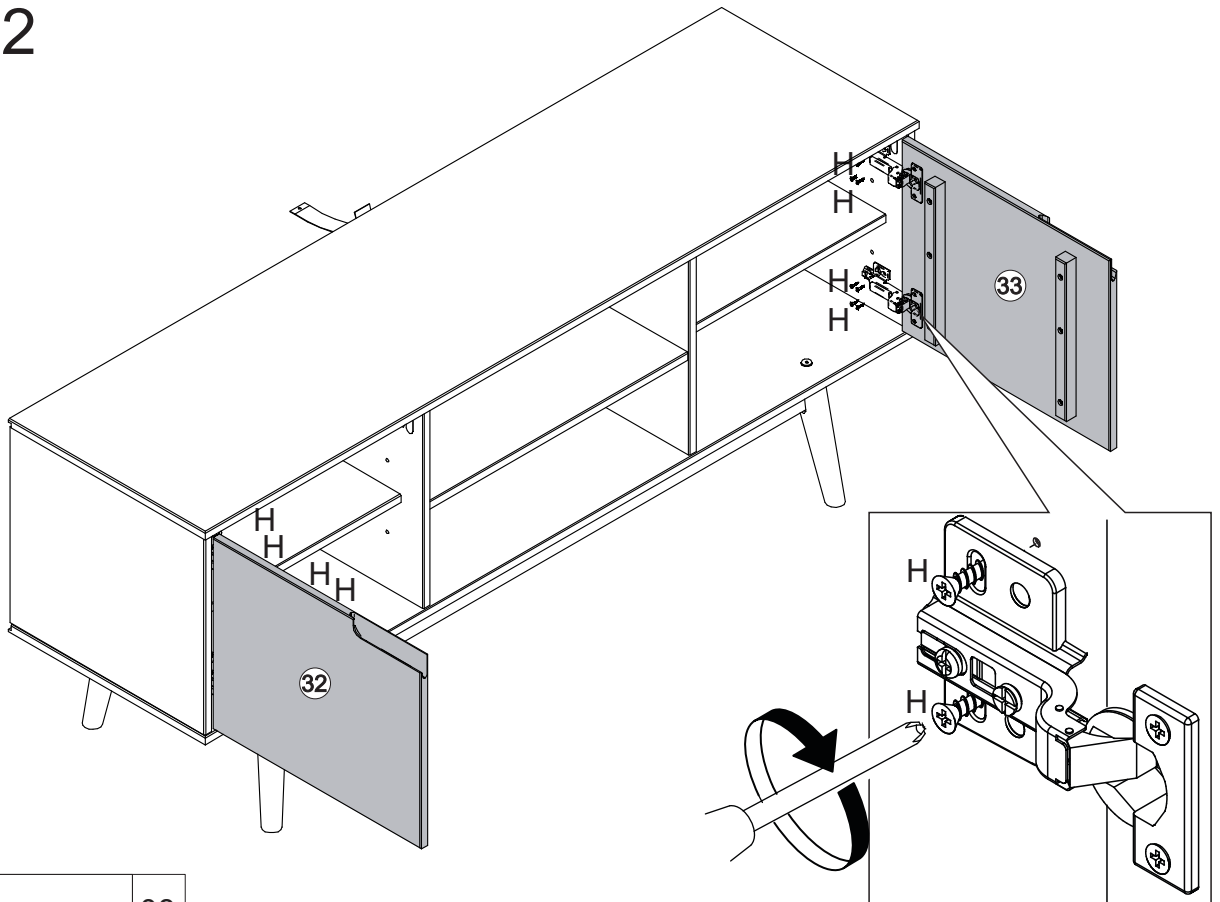
 Please assemble on a clean soft surface to avoid damage.

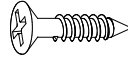


H		08
I		04

Attach the hardware (I) to the (32) and (33) parts with the screw (H) and a Phillips screwdriver.

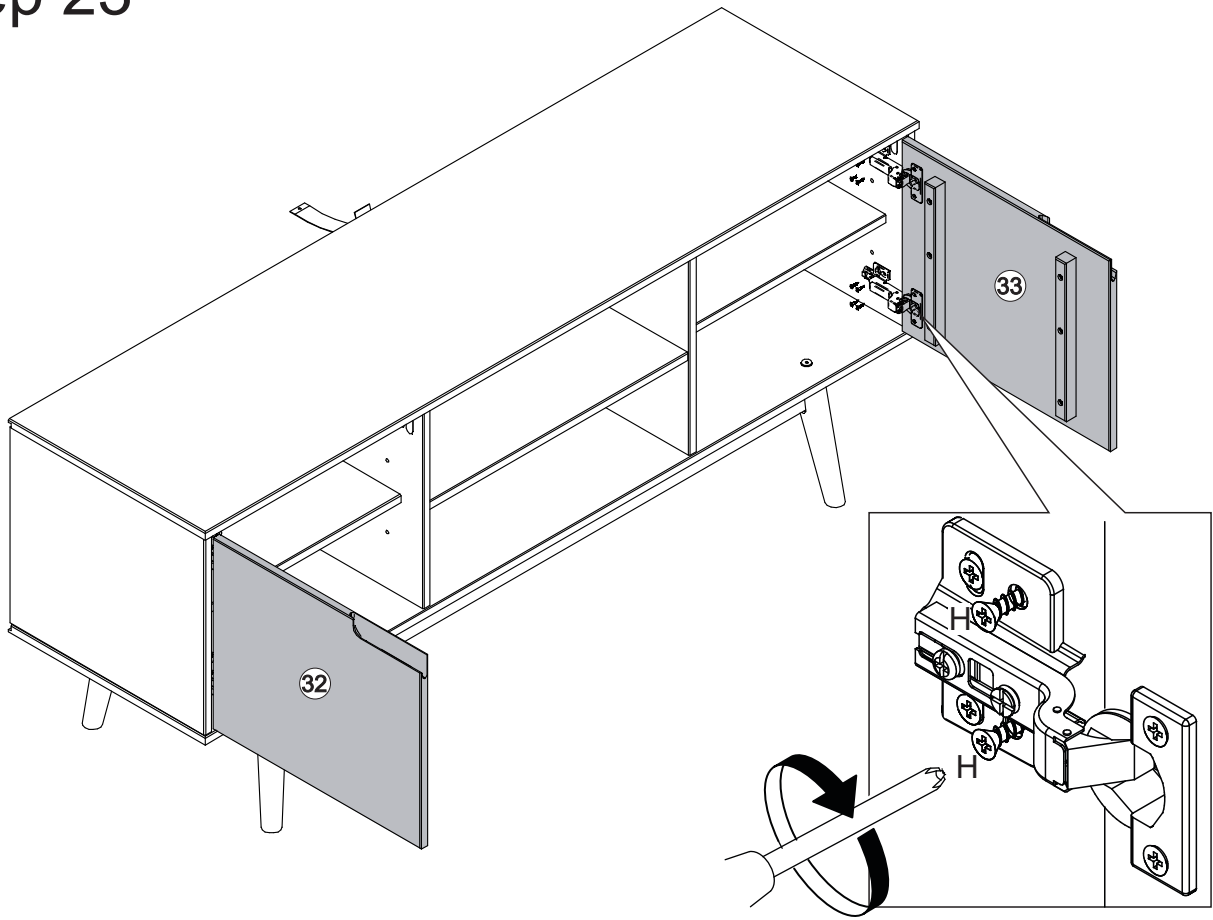
Step 22



H		08
---	---	----

Secure part (32), (33) to part (2) and (23) with screw (H).

Step 23



	<p>1st</p>		<p>3rd</p>	
	<p>2nd</p>		<p>4th</p>	
<p>H $\varnothing 4,0 \times 16\text{mm}$</p>			<p>5th</p>	
<p>Attach screw (H).</p>				

Step 24

WARNING

Serious or fatal crushing injuries can occur from tip-over. To help prevent tip-over, install tip restraints per instructions. If using to support a television or monitor:

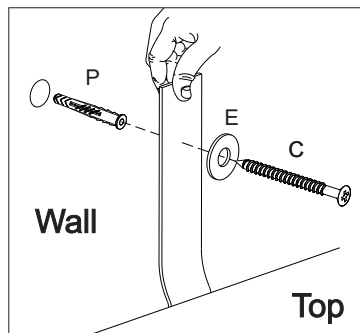
- For use with televisions weighing 50lbs (22.67Kg) or less and no wider than this product. Use with heavier televisions may result in instability causing tip over resulting in death or serious injury.
- Death or serious injury may occur when children climb on audio/or video equipment furniture. Remote control or toys placed on the furnishing may encourage a child to climb on the furnishing and as a result the furnishing.
- Do not place TV near front the edge of the product.

To further reduce the risk of serious injury and death from tip-overs:

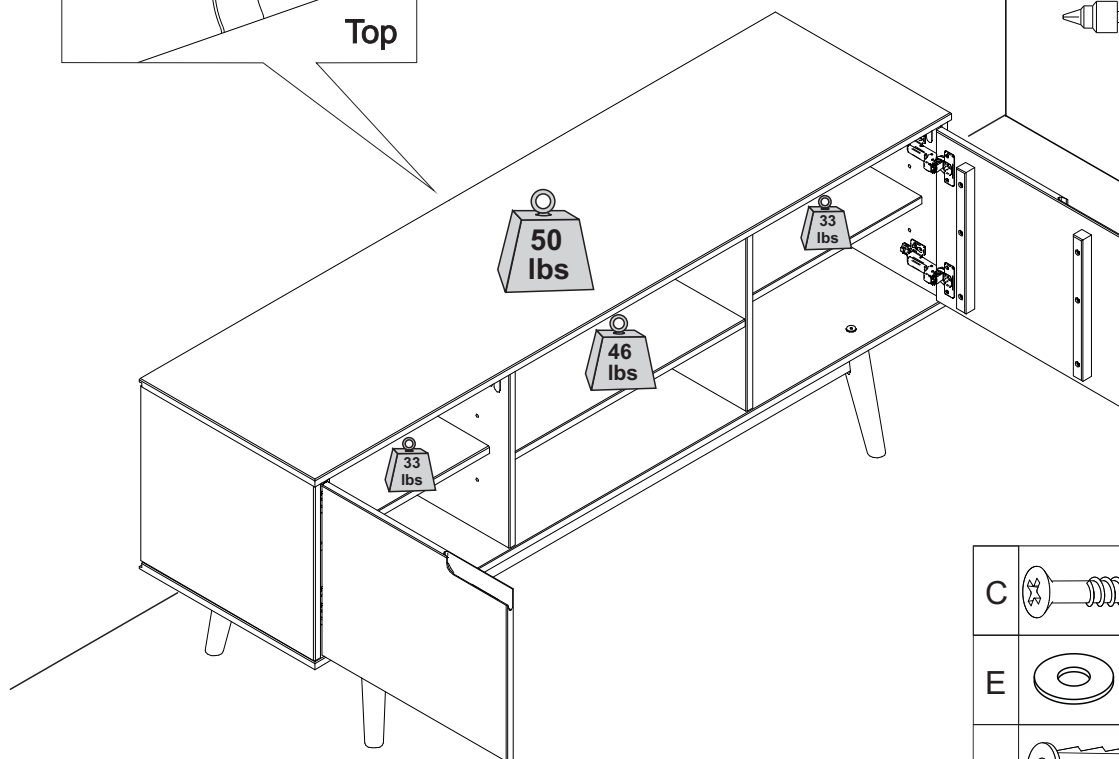
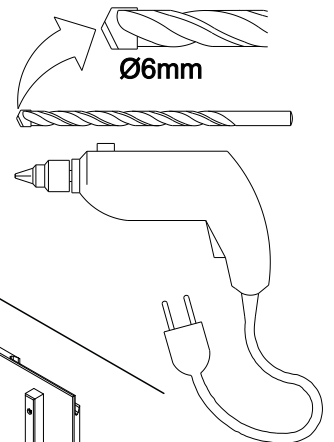
- Place heaviest items in the lowest compartments or drawers.
- Never allow children to climb or hang on drawers, doors or shelves.
- Never open more than one drawer at a time.




The use of tip-over restraints may only reduce, but not eliminate the risk of tip-over.

For safe mounting, it is essential to use wall anchors appropriate to your wall type (i.e., plaster, drywall, concrete, etc). Mount to wood studs whenever possible. **Note: if you are unsure about your wall type or what mounting the method you should use, consult a qualified professional or your local hardware store.**



Drill your wall with a 6mm drill (not included) and insert hardware (P), securing wall anchor (E) with washer (E) and screw (C) in the wall.



C		01 Ø4*40mm
E		01
P		01 Ø6*35mm

Name and address information for the manufacturer responsible for the anti-tip hardware and date of production can be found on the label on the back of the furniture.