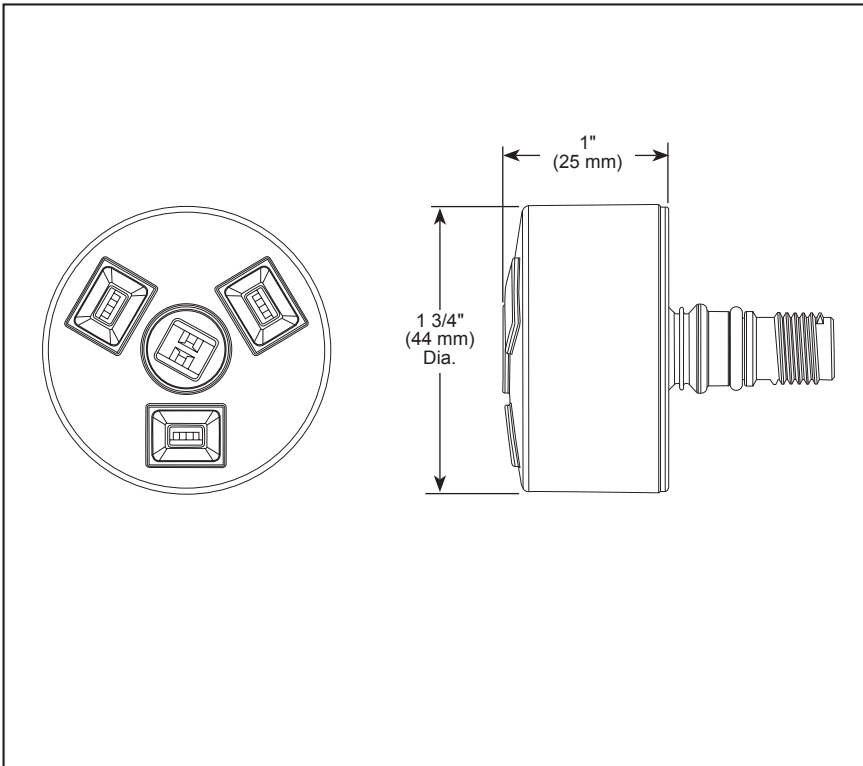


SH84101-▲



▲ Designate Proper Finish Suffix

BRIZO®

HYDRACHOICE® H2OKINETIC® MASSAGING SPRAY HEAD

FEATURES:

- H₂Okinetic® Technology

STANDARD SPECIFICATIONS:

- Max flow rate 1.5 gpm @ 80 psi, 5.7 L/min @ 550 kPa.
- Optional (RP82501) reduces flow rate to 1.0 gpm @ 80 psi, 3.8 L/min @ 550 kPa.
- Must order rough (R84100) and trim (T84613-▲ or T84913-▲) separately.
- Spray head automatically extends 1 11/32" out of the wall when water is turned on.
- Spray heads are interchangeable by user.
- Spray heads adjust up to 50° in any direction once extended.

WARRANTY

- Parts and Finish - Lifetime limited warranty; or for commercial purchasers, 10 years for multi-family residential (apartments and condominiums) and 5 years for all other commercial uses, in each case from the date the product is received by the original purchaser or their authorized representative (installation contractor, etc.).
- Please go to www.brizo.com for the complete details of our limited warranty.

COMPLIES WITH:

- ASME A112.18.1 / CSA B125.1