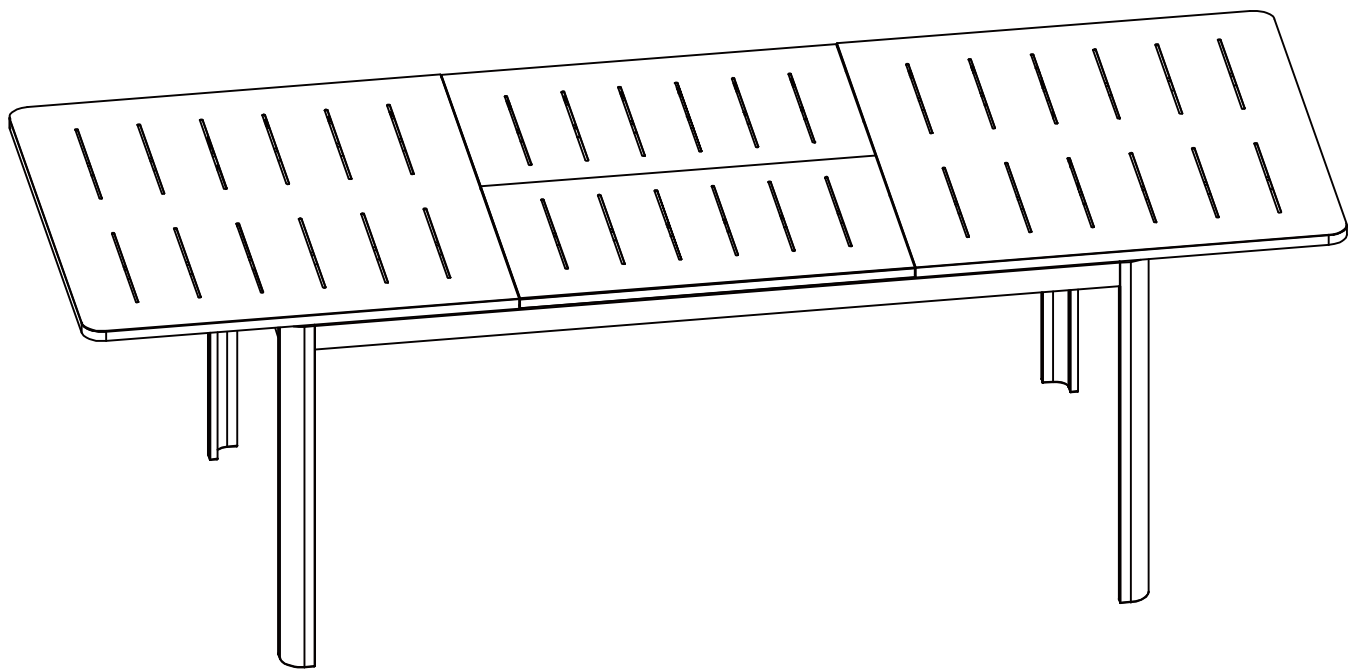
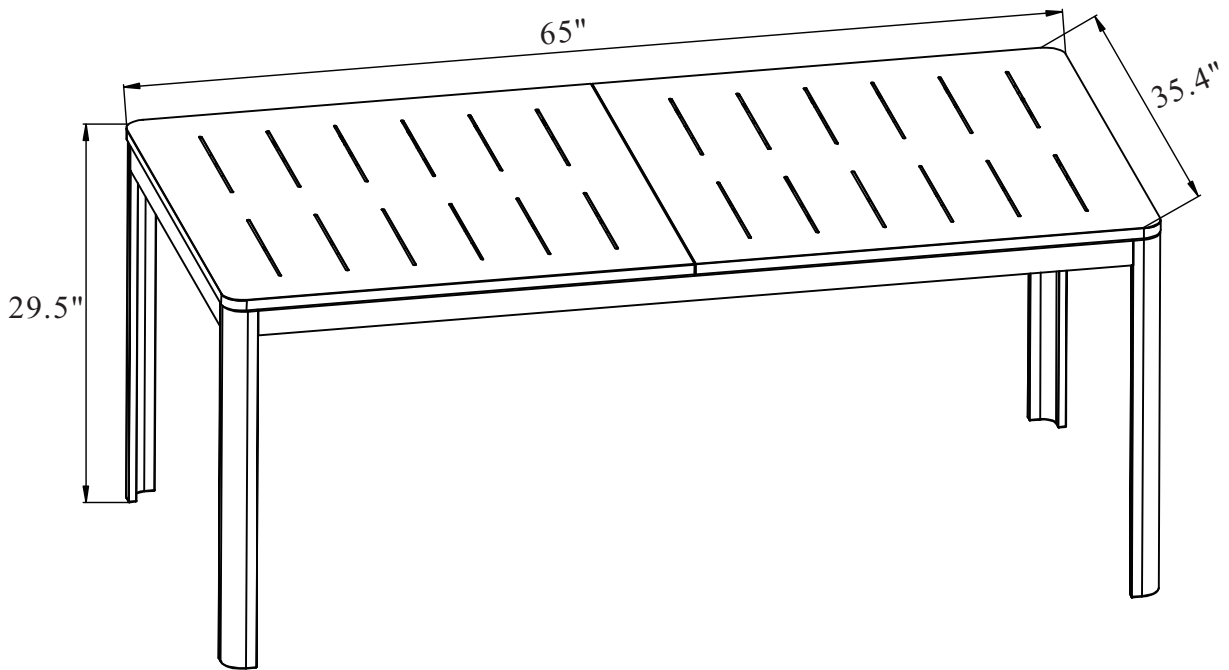
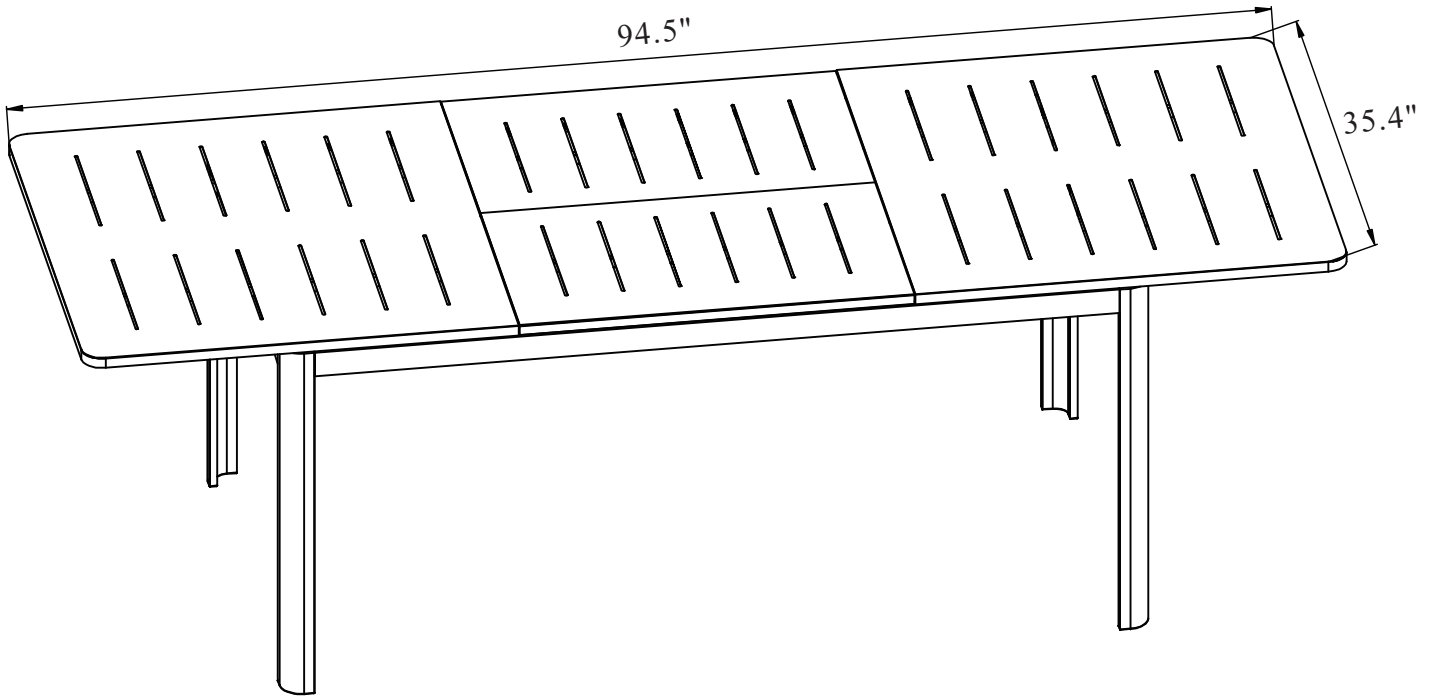
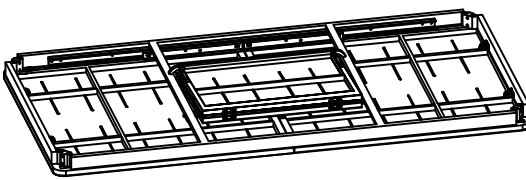
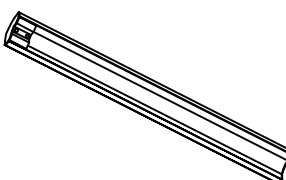






7.8'×2.9' Extendable Aluminum Dining Table

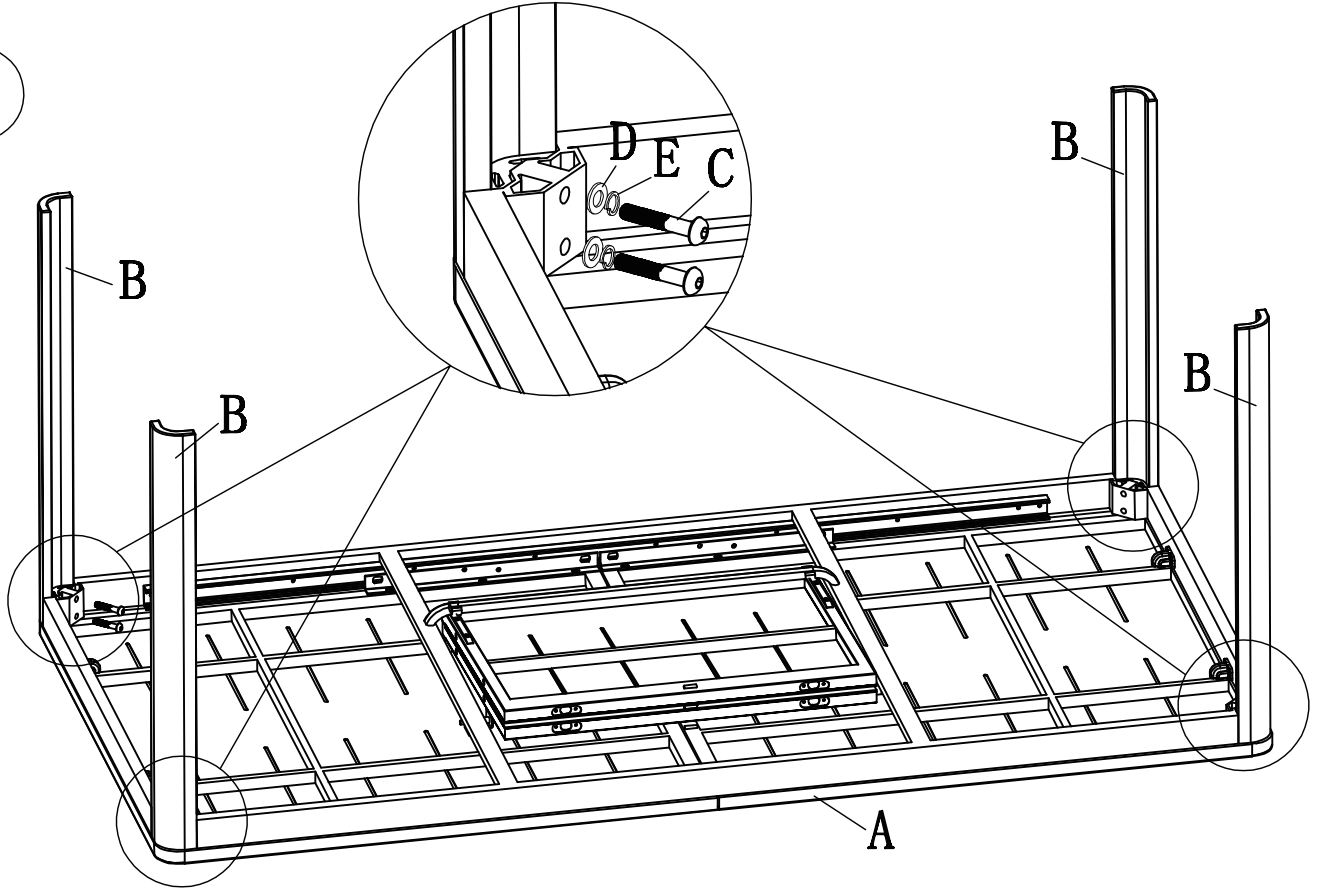
# Assembly Instructions





|   |     |  |      |   |                  |  |                  |
|---|-----|--|------|---|------------------|--|------------------|
|  |     |  |      | <br>M8*50 | <b>C</b><br>8PCS |                     | <b>E</b><br>8PCS |
| <b>A</b>  | 1PC | <b>B</b>   | 4PCS |          | <b>D</b><br>8PCS | <br><b>F</b><br>1PC |                  |

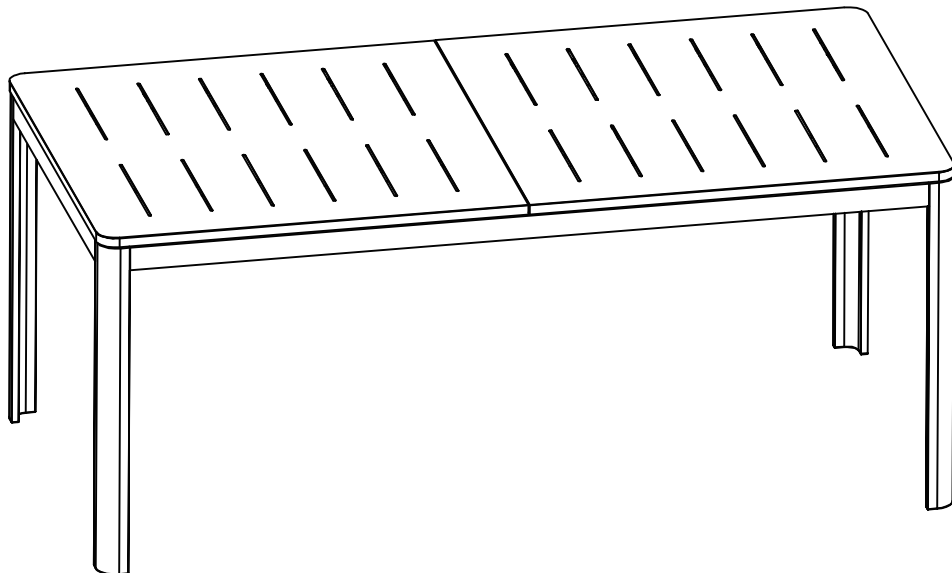
①



**Step 1:** Install part B(Table Leg) on Part A(Tabletop) with Part D (flat Washer), Part E (Split Lock Washer) and Part C(Screw).

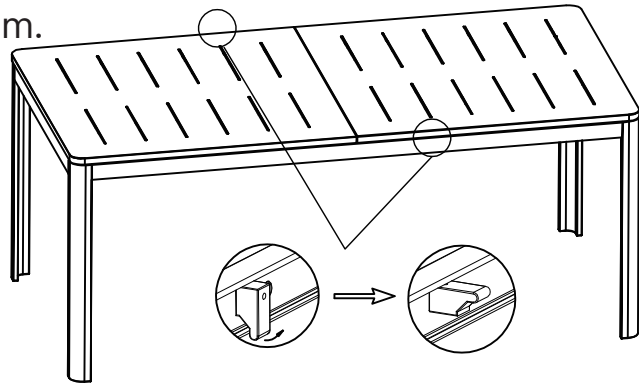
**Step 2:** Turn the table over.

②

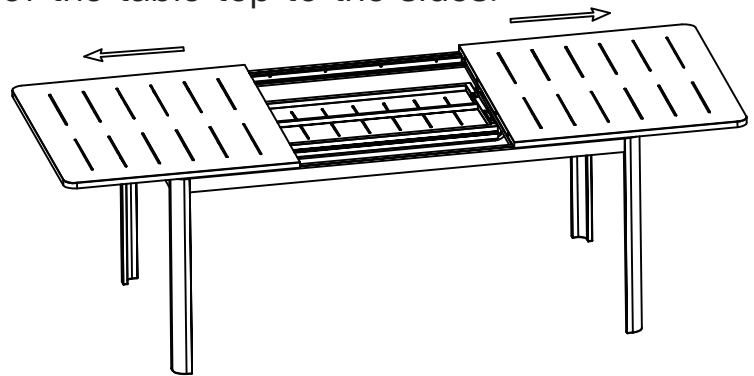


# How to Use the Extendable Aluminum Dining Table

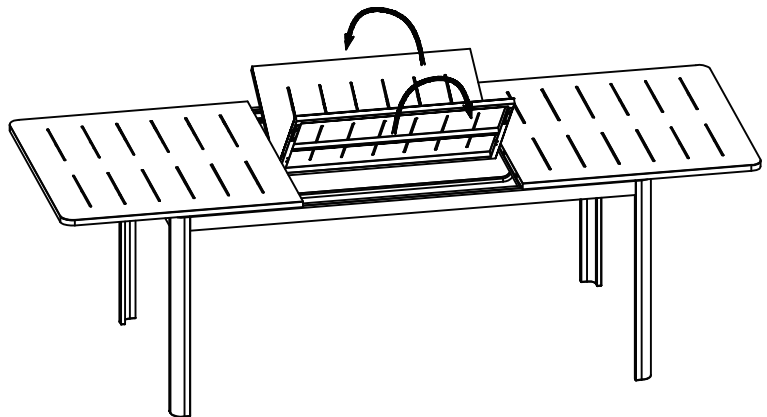
- 3 Step 1: Unlock the latches under the table edge on both sides from the beam.



- 4 Step 2: Pull the two sides of the table top to the sides.



- 5 Step 3: Flip up the two small tabletops in the middle.



- 6 Step 4: Push the tabletops on both sides to the middle and buckle the latches under the table edges on the beam.

