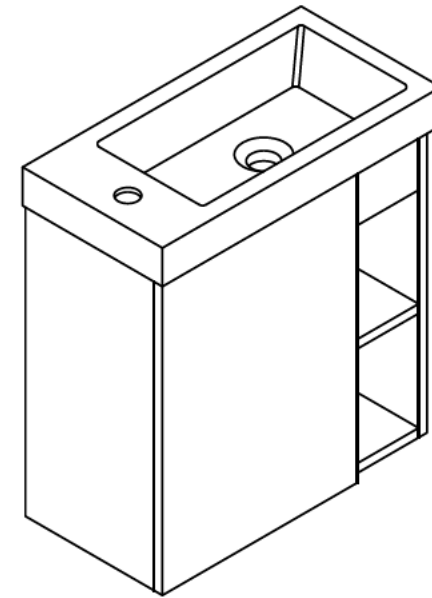


THANKS FOR WATCHING



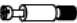








Your feedback is invaluable to us and we would love to hear about your experience. Please take the time to leave us a review.



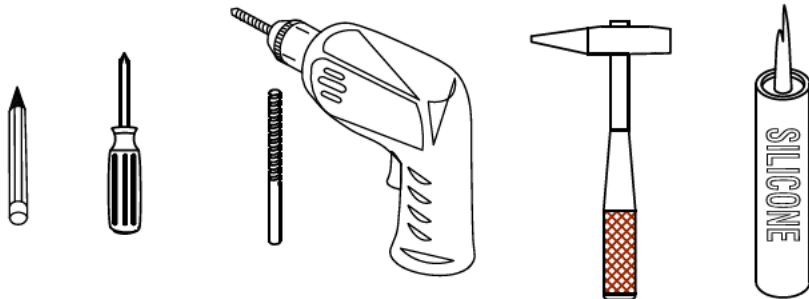
Thank you for shopping with us!

We encourage you to take a few minutes to go through this booklet. It contains important information on installation and care tips to keep your furniture looking as good as new.

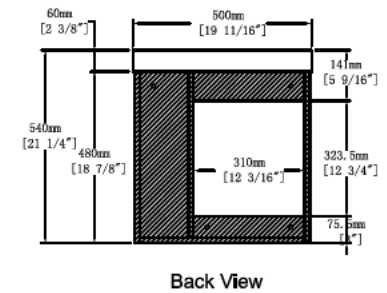
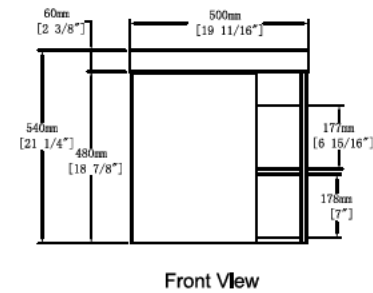
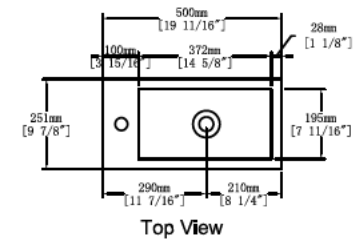
Hardware

NO.	Draw	QTY	NO.	Draw	QTY
A	 Screws Ø4x14mm	32	F	 Screws for fix on the wall	4
B	 Two-in-one connector	30	G	 Bracket (53x70x44mm)	2
C	 Two-in-one connector	30	H	 Bracket (19x19x35mm)	2
D	 Wood plug	7	I	 Hinges (Full cover)	2
E	 Plastic anchor(Ø10mm)	4	J	 Anti-collision gasket	2
			K	 Screwdriver	1

Recommended tools



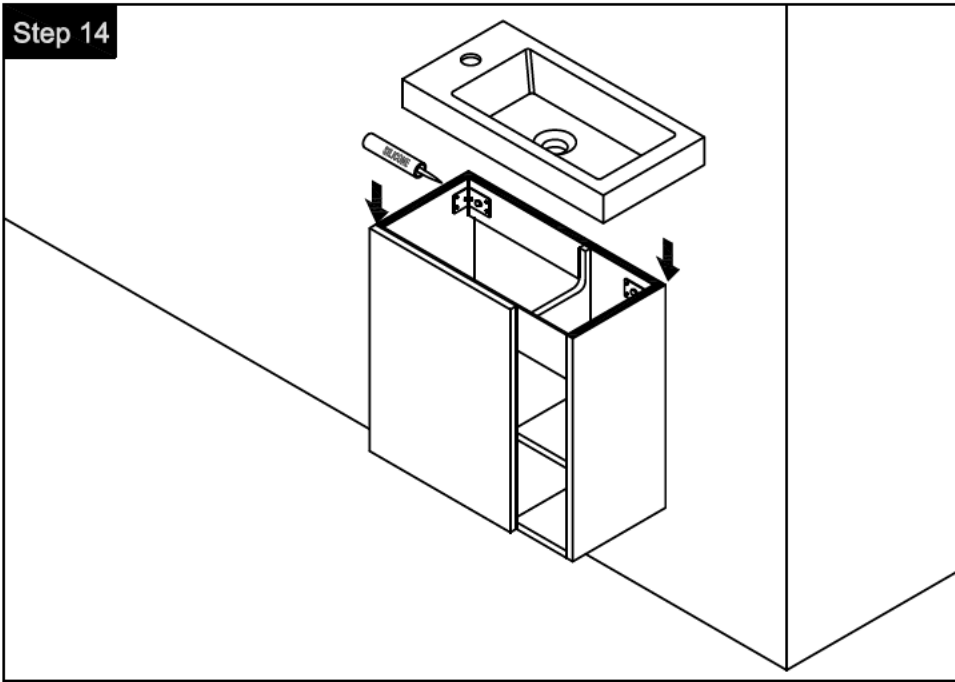
Dimensions



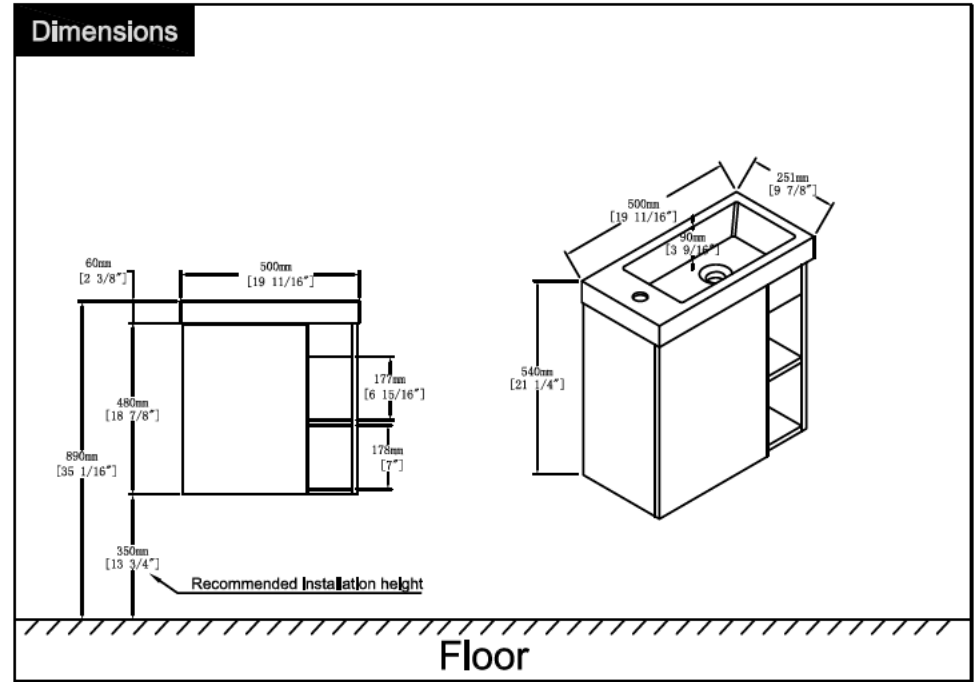
CARE CLEANING AND MAINTENANCE

1. Dust regularly with a soft , dry cloth.
2. Avoid the use of all chemicals household cleaners, abrasives, or cleaners that contain lemon, vinegar, or other acids that may damage the finish.
3. Excessive exposure to sunlight and extreme changes in temperature and moisture can damage wood furniture.
4. The sink top is resilient, but care needs to be taken to preserve its appearance.
5. Do not place hot appliances, such as curling irons and hot hair dryers directly on the countertop. Wipe spills immediately.

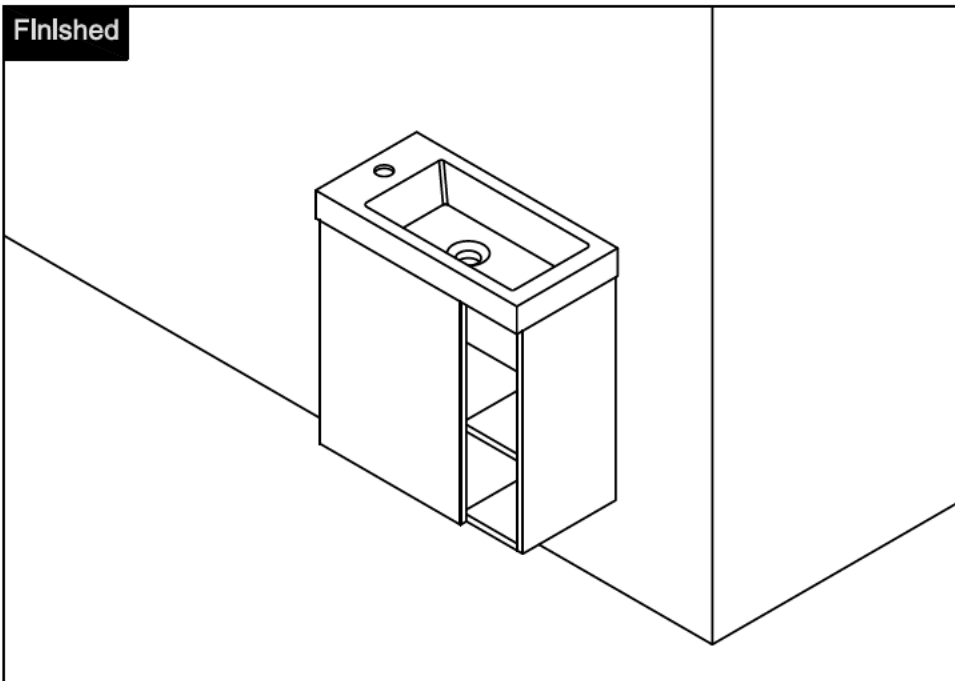
Step 14



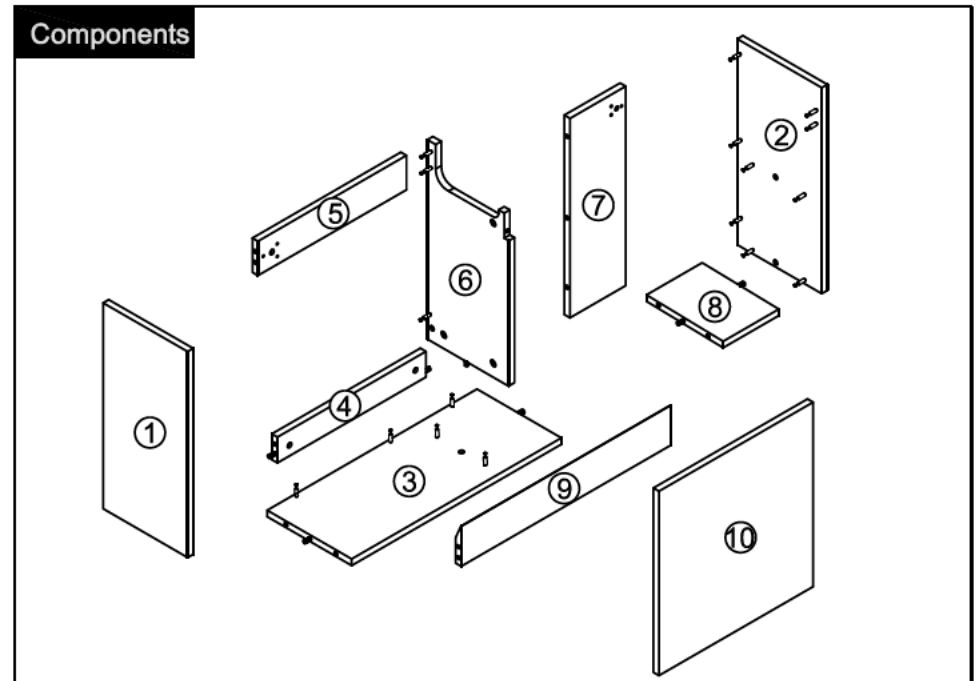
Dimensions





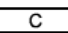

Finished

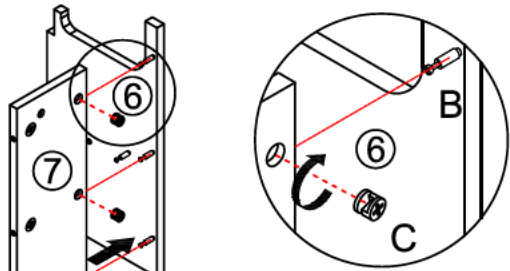


Components

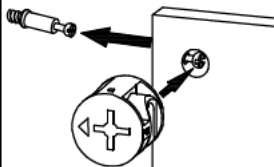


Step 1

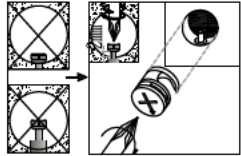
-  x3
-  x3
-  x3
-  x1




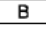

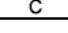

Attention: Cam lock arrow point to the steel rod.

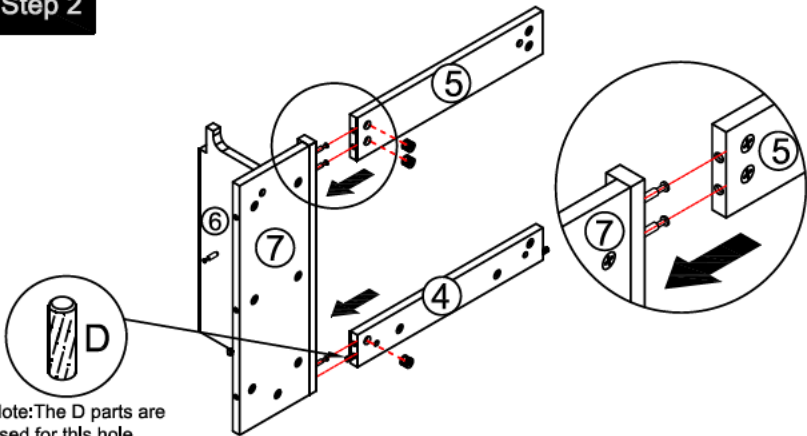


Notes: Screw installation depth as shown

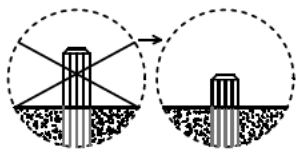


Step 2

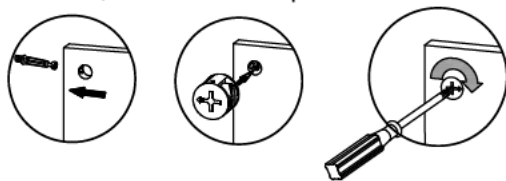
-  x3
-  x3
-  x3
-  x1
-  x1






Note: The D parts are used for this hole

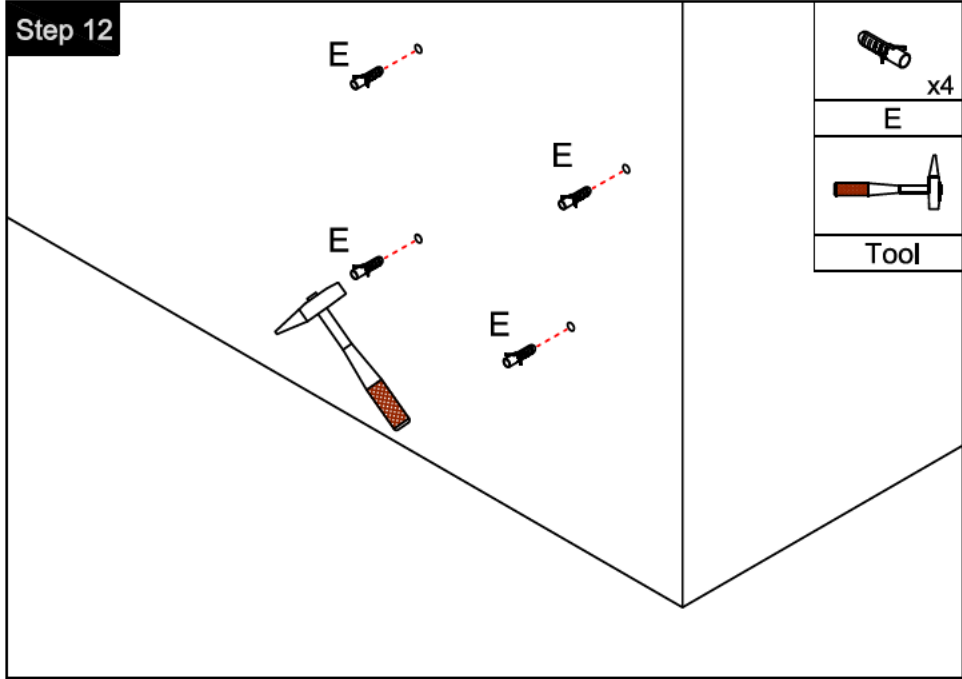


first step second step third step






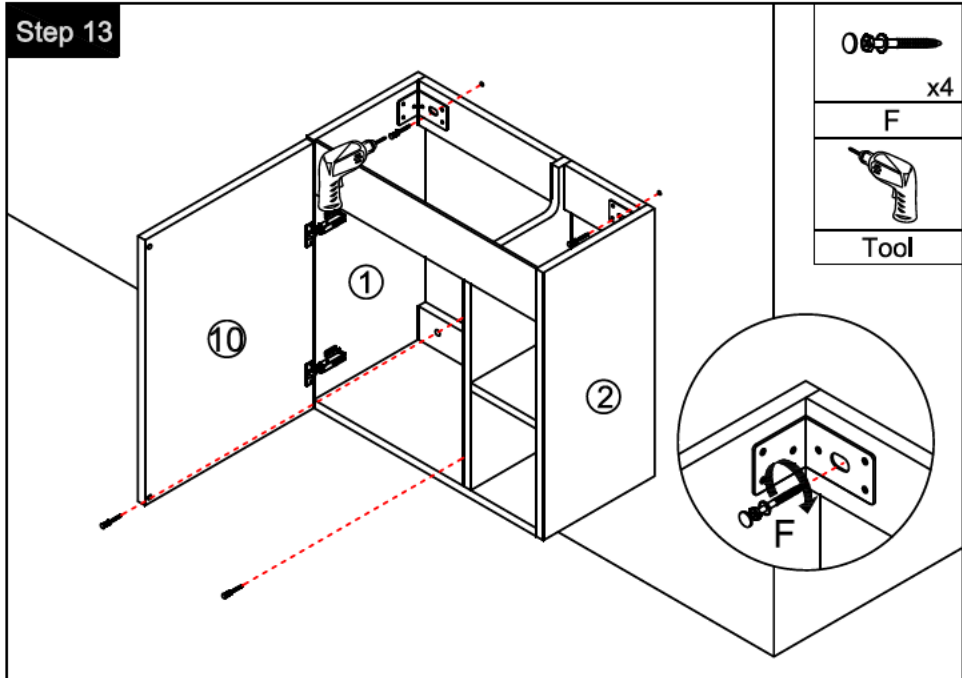
Step 12

-  x4
-  x4
-  Tool

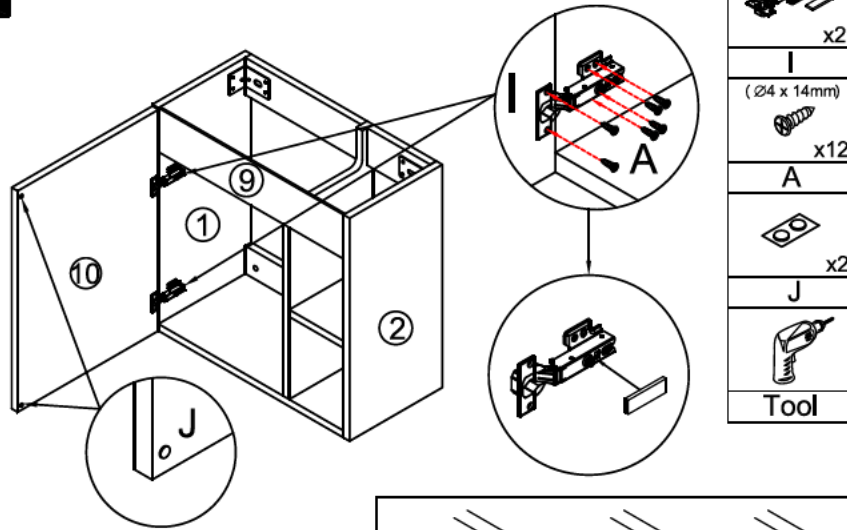


Step 13

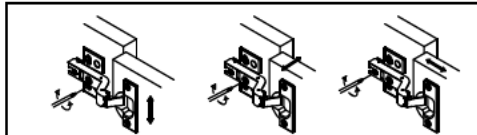
-  x4
-  x4
-  Tool



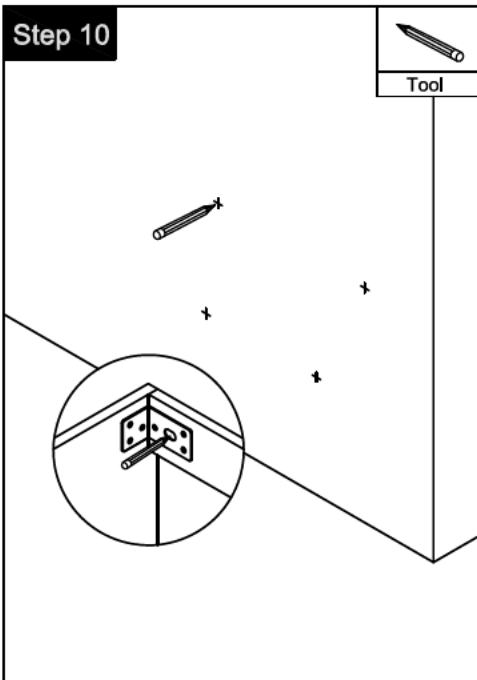
Step 9



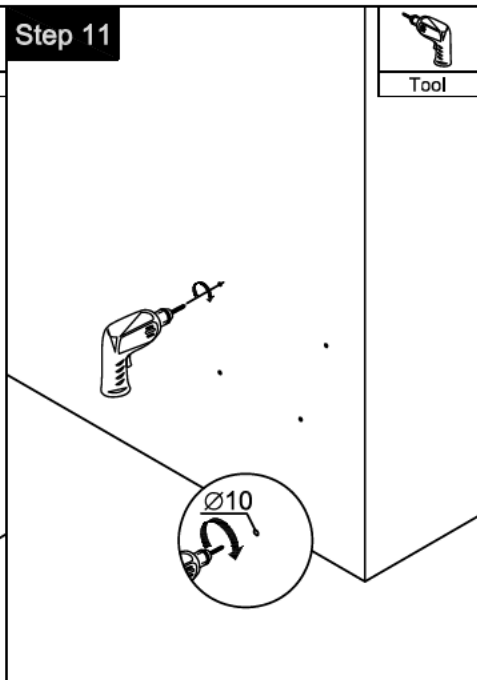
You can adjust the doors by tightening or loosening the screws on the hinge. →



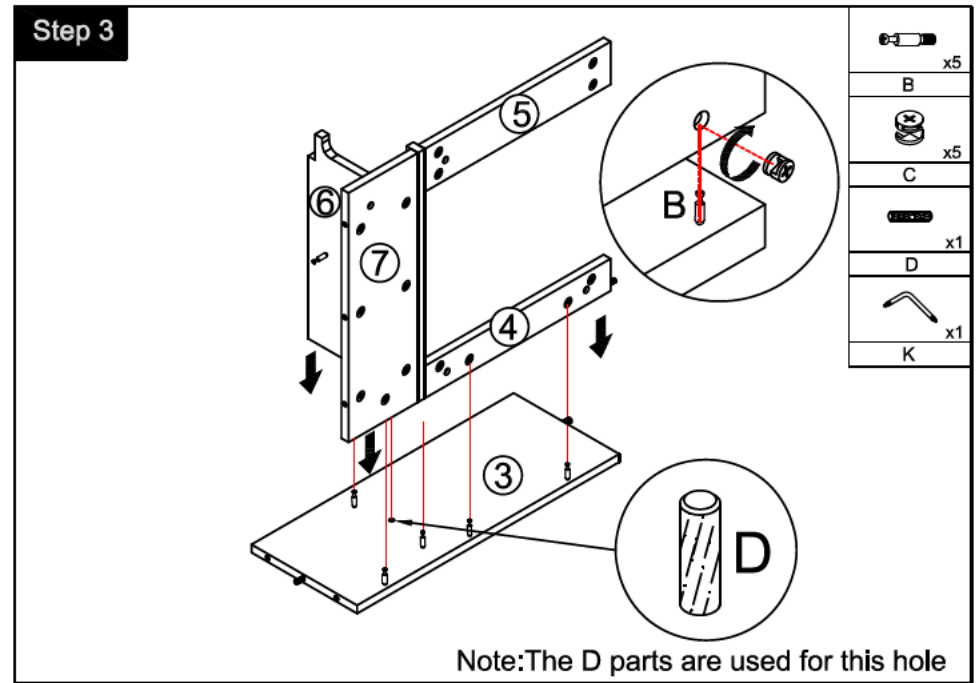
Step 10



Step 11

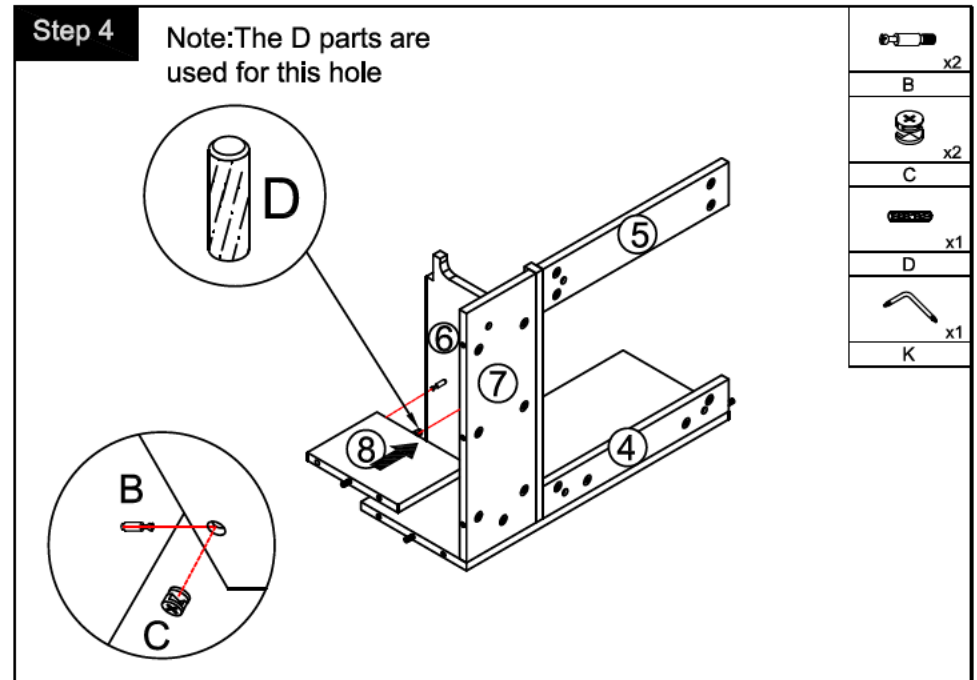


Step 3

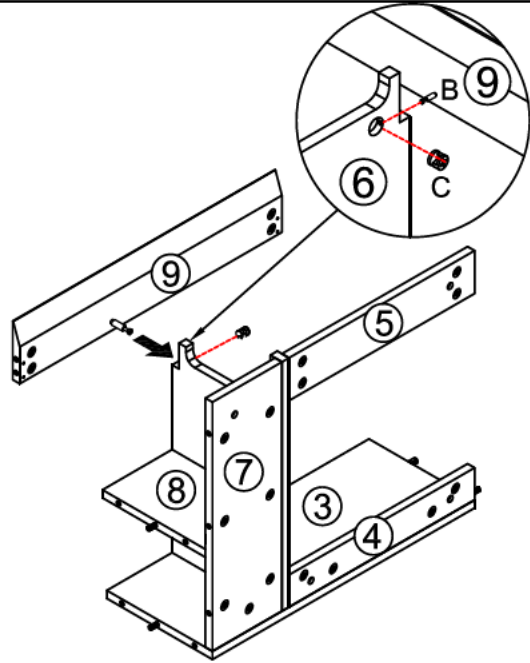


Note: The D parts are used for this hole

Step 4

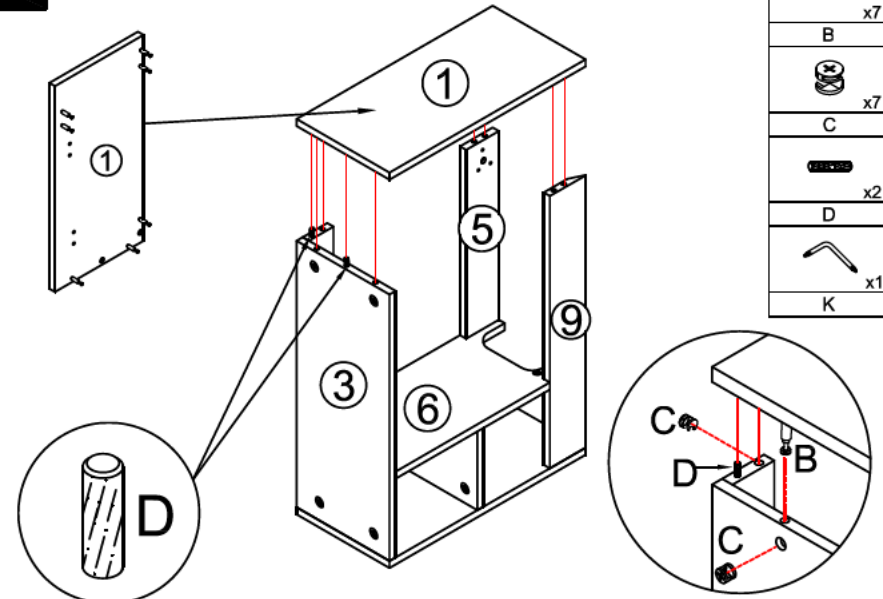


Step 5



	x1
B	
	x1
C	
	x1
K	

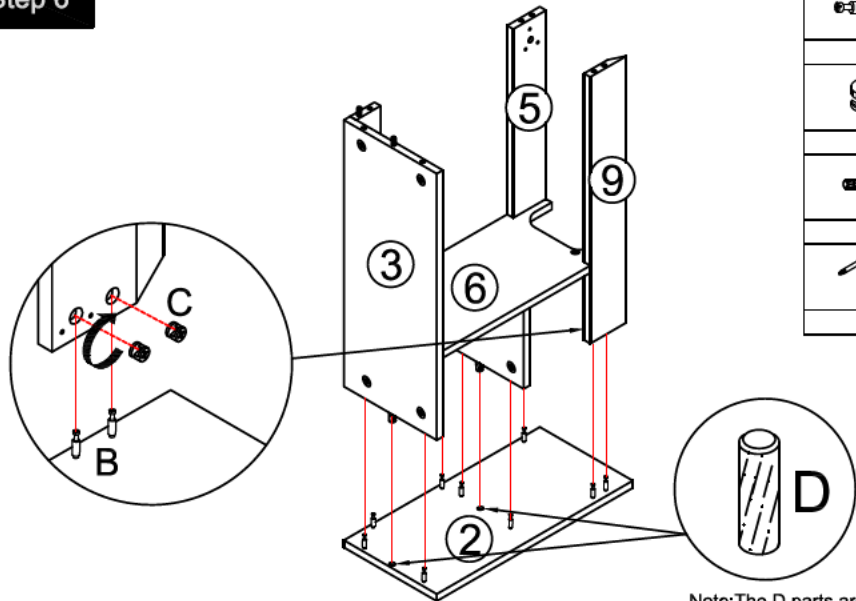
Step 7



Note: The D parts are used for these two holes

	x7
B	
	x7
C	
	x2
D	
	x1
K	

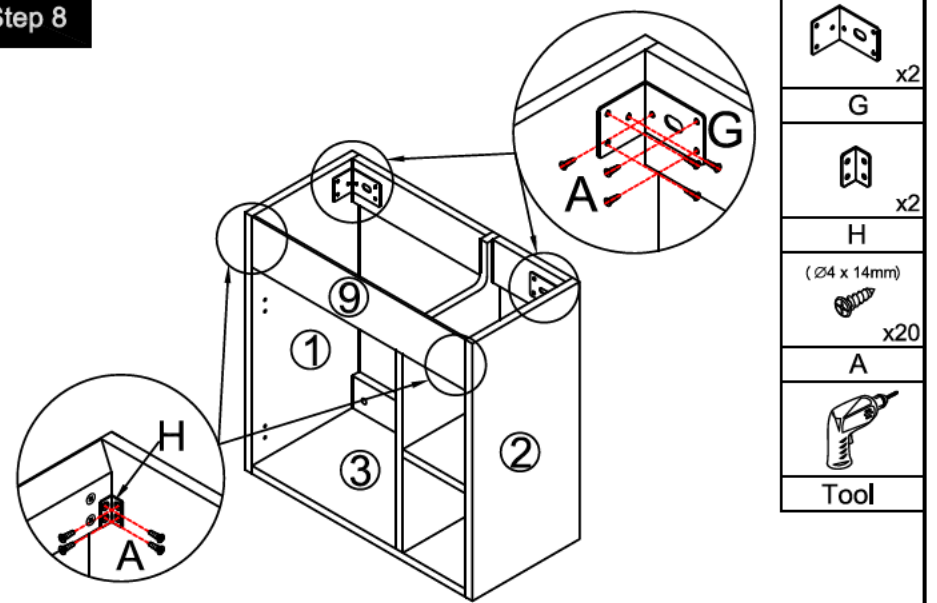
Step 6



Note: The D parts are used for these two holes

	x9
B	
	x9
C	
	x2
D	
	x1
K	

Step 8



	x2
G	
	x2
H	
(\varnothing 4 x 14mm)	
	x20
A	
Tool	