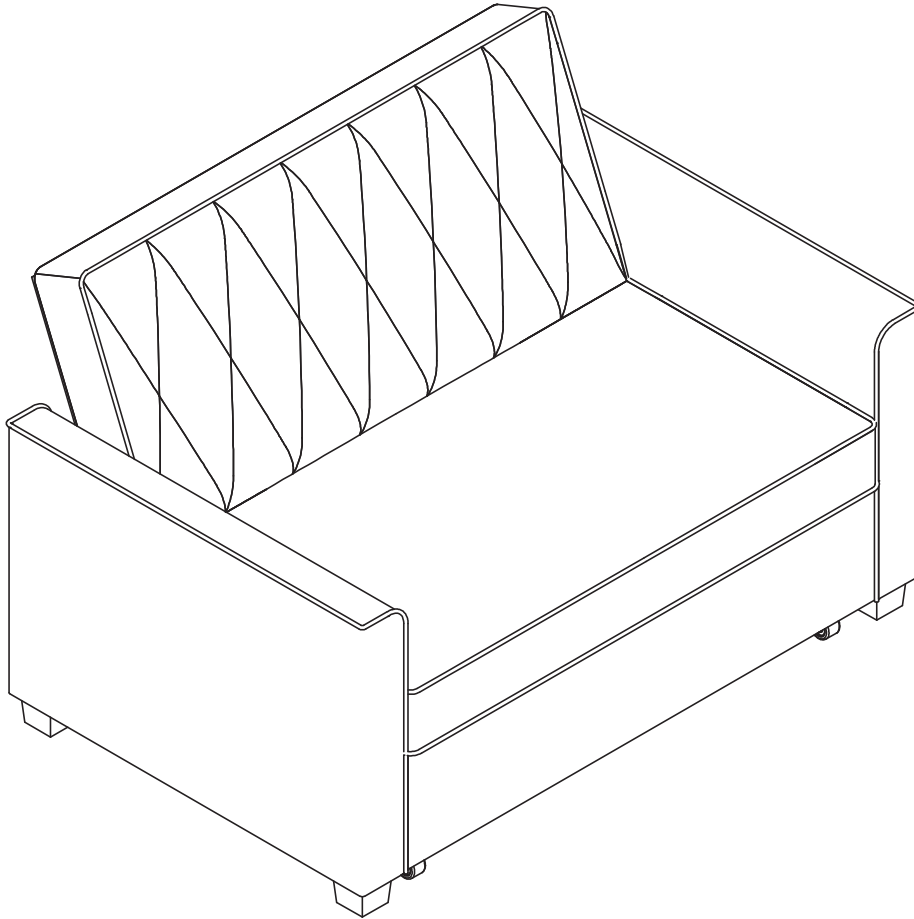
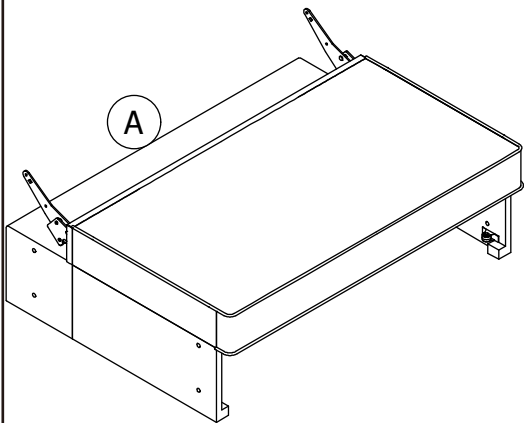


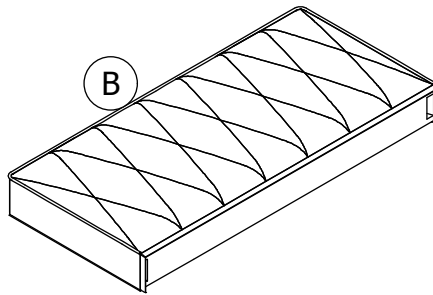
# Assembly Instruction



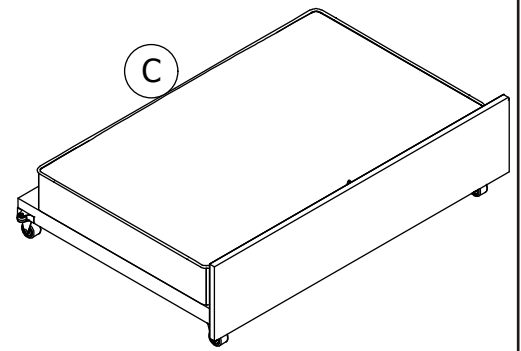
## PART



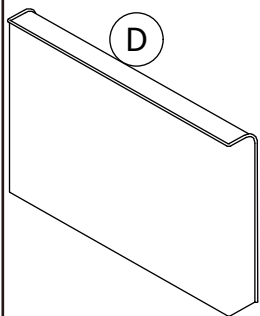
Seat X 1PC



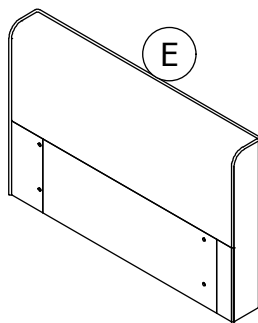
Backrest X 1PC



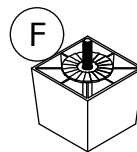
Pullout Seat X 1PC



Arm X 1PC

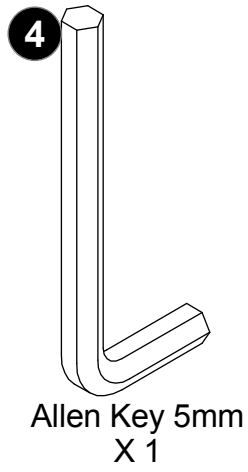
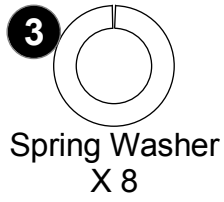
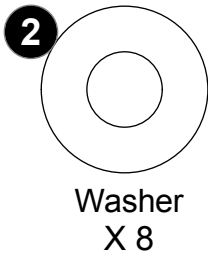
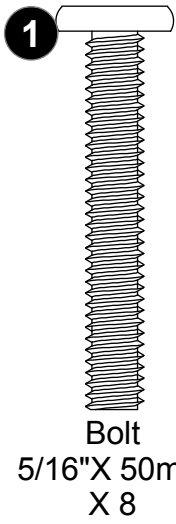


Arm X 1PC



Leg X 4PC

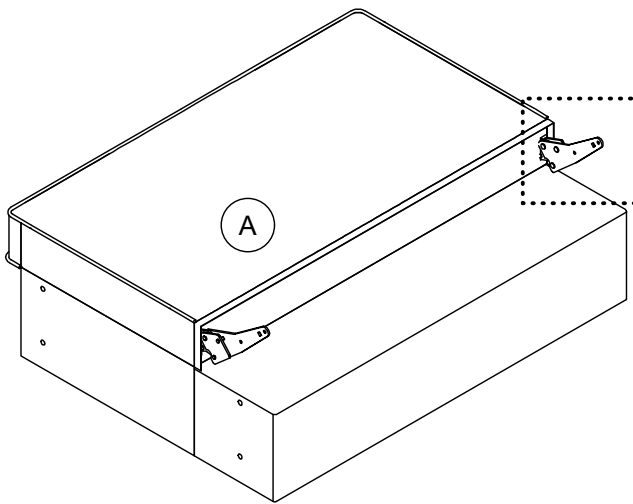
# HARDWARE



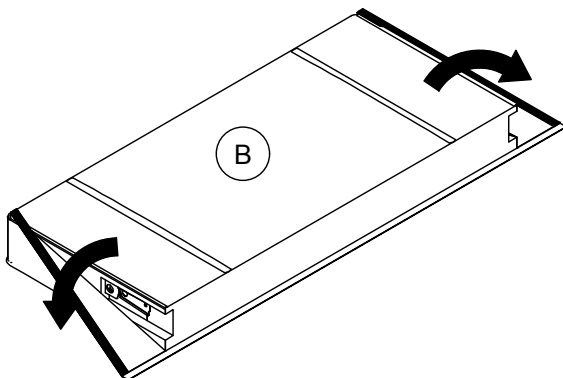
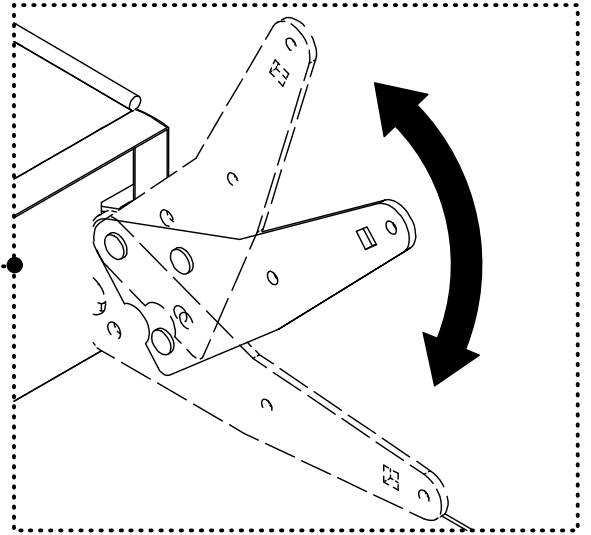
## Step 1 :

1.1 Keep two hinges at same angle.

1.2 Open the Velcros at both sides of backrest, as shown.



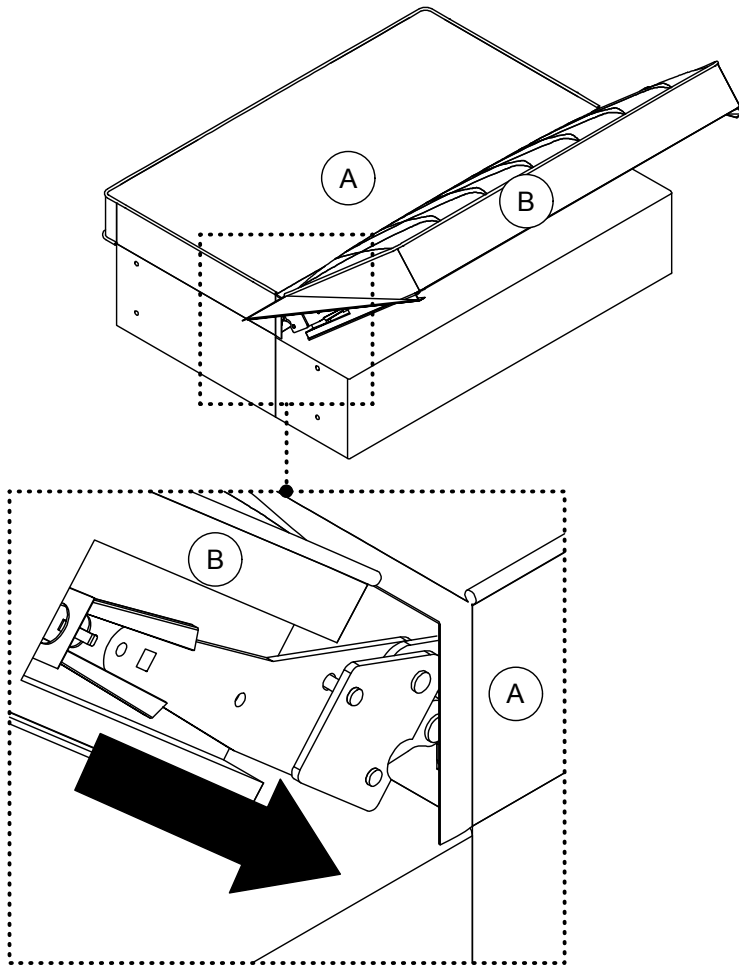
1.1



1.2

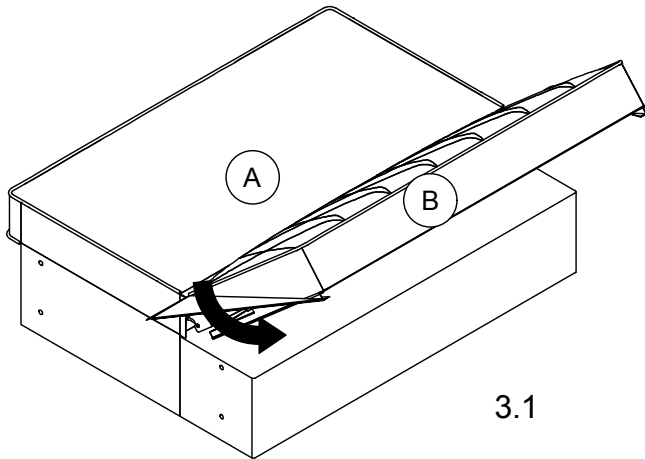
**Step 2:**

Insert **B** onto **A** until you hear "Click", as shown.

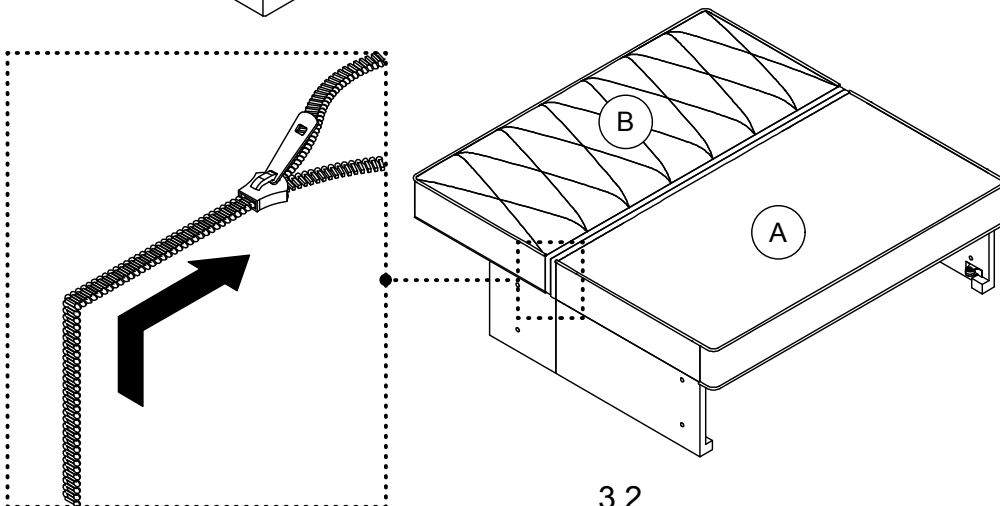


**Step 3:**

- 3.1 Stick close the Velcros on both sides of backrest.
- 3.2 Close the zipper between **A** and **B**, as shown.



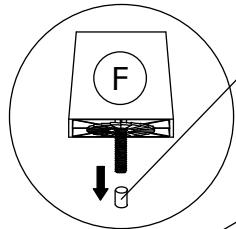
3.1



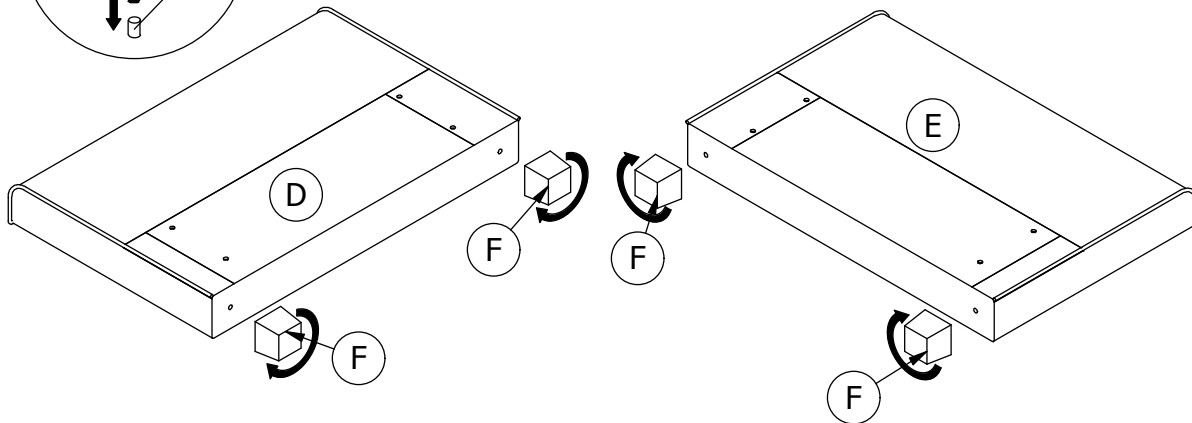
3.2

**Step 4:**

Manually screw **F** x 4 to **D** & **E**, as shown.

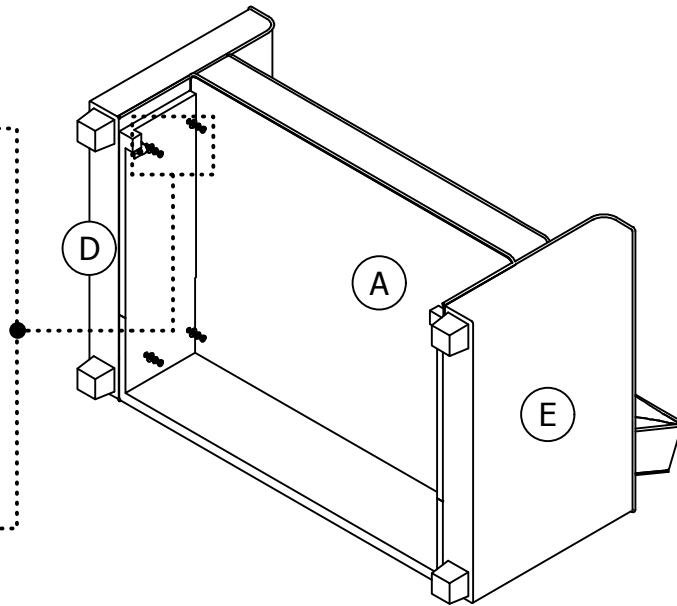
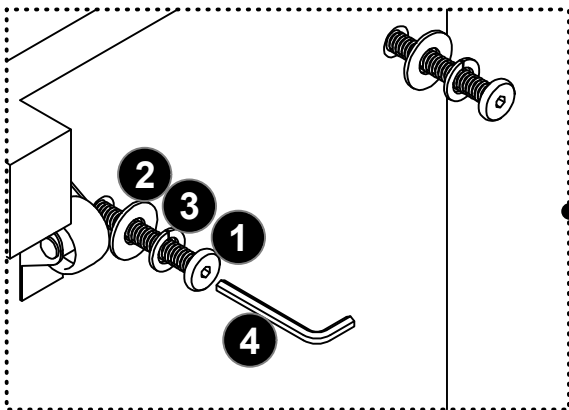


⚠ Please remove the protective cap on the tip of thread before assembling.

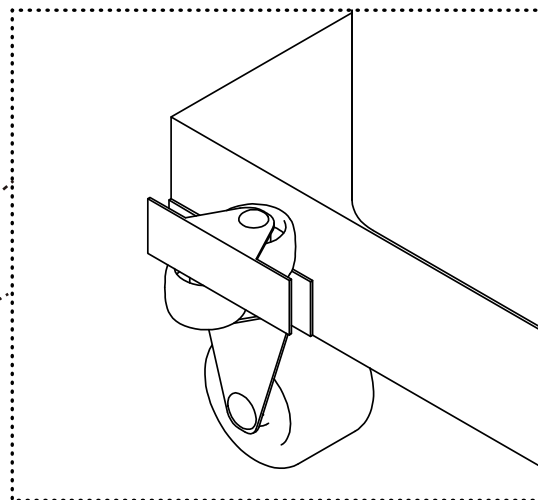
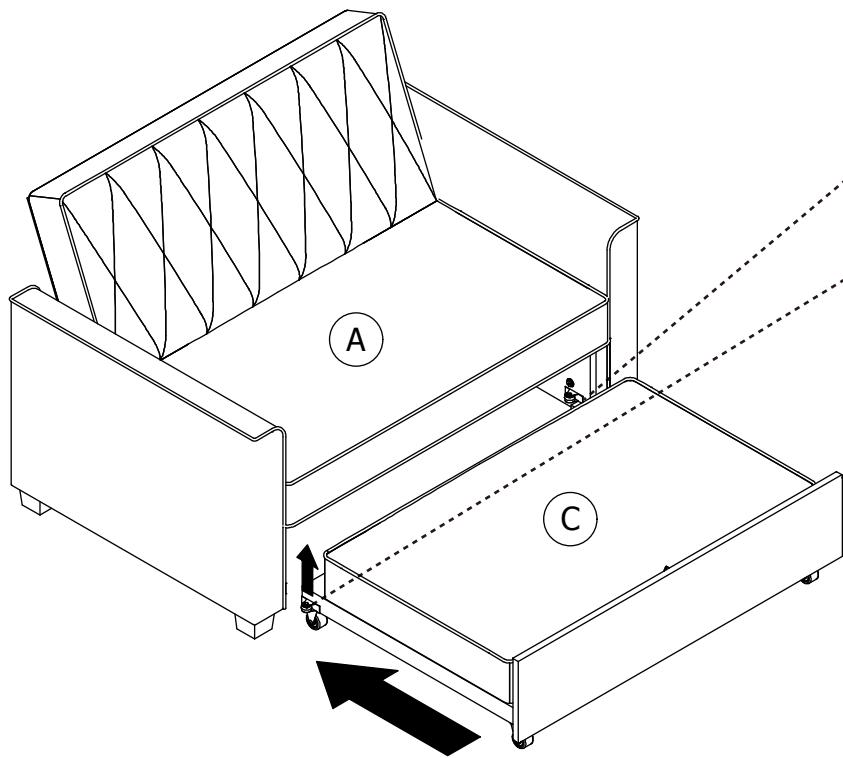


**STEP 5:**

Attach **D** & **E** to **A** with **1**, **2**, **3**, as shown.

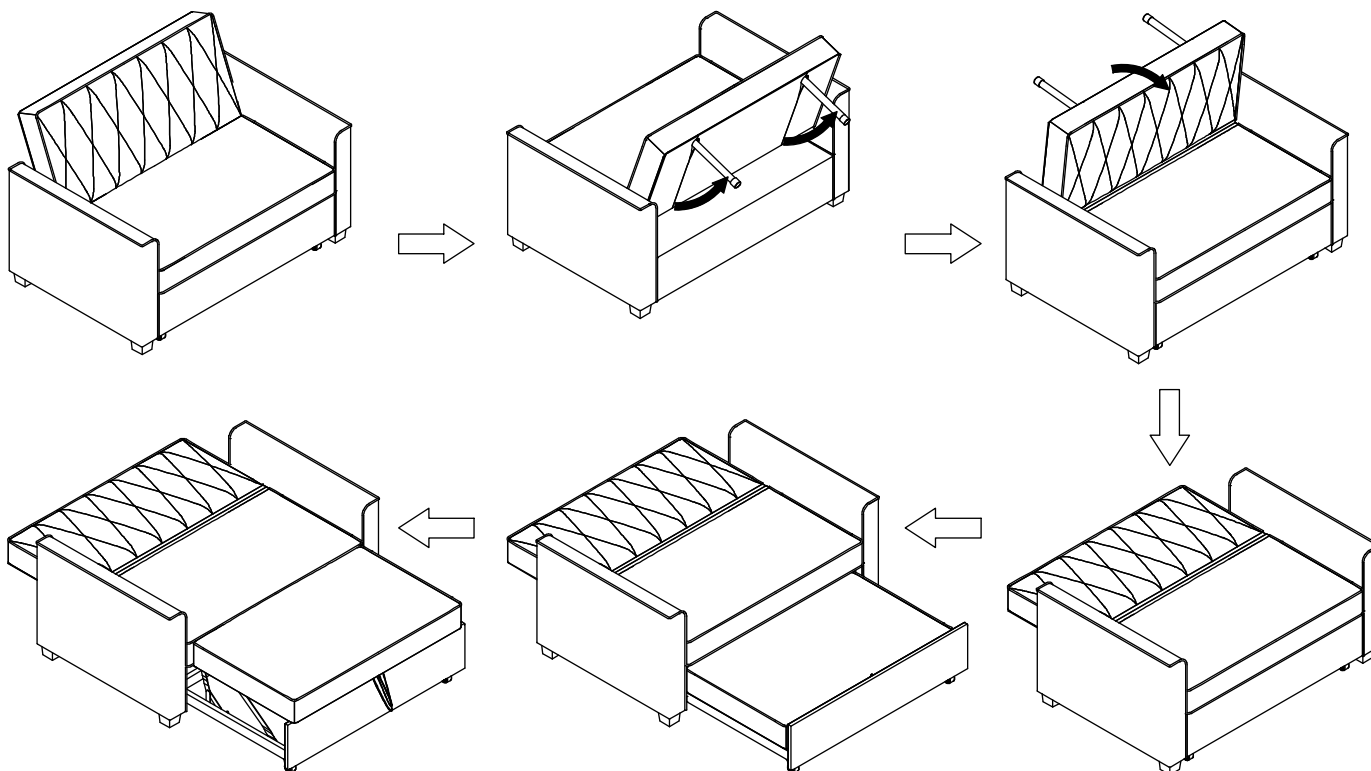


**STEP 6:** Lift the end of **C**, then move **C** into **A**, as shown.



## Important Notes:

- Your chair can transform between a Sofa and a Bed. The support legs must be fully extended when it is in Bed position.
- Move your new furniture carefully, with two people lifting and carrying the unit to its new location.
- Your furniture can be disassembled and reassembled to move. Do not use power drills to assemble/disassemble.
- Clean the product with a soft damp cloth. DO NOT use harsh chemicals or abrasive cleaners.
- Some parts have been pre-assembled for this item. They are illustrated on this page and available for replacement. Please contact the retailer for questions regarding parts or the item.



Use both Support legs in Bed position, as shown:

- Locate support legs behind backrest
- Pull out support legs until fully extended and locked into position
- Support legs may be stowed away behind backrest when not in use.