

**P39013**  

---

**OPERATIONS MANUAL**



*Masrax*

## Assembly & Installation Instructions

Dear Customer :

Thank you for choosing us!

We appreciate your business. Should you have **any questions** or encounter **any issues**, please don't hesitate to contact us. You can reach us via email at [support@4modernhome.com](mailto:support@4modernhome.com) or by calling **469-312-6428**. Our team is dedicated to ensuring your complete **satisfaction** with your purchase. We value your feedback, as it helps future customers in making informed decisions. We encourage you to share your experience by leaving a brief product review on the platform where you made the purchase. Additionally, you can scan the **provided code for an installation video** to assist you further. Once again, thank you for choosing us!

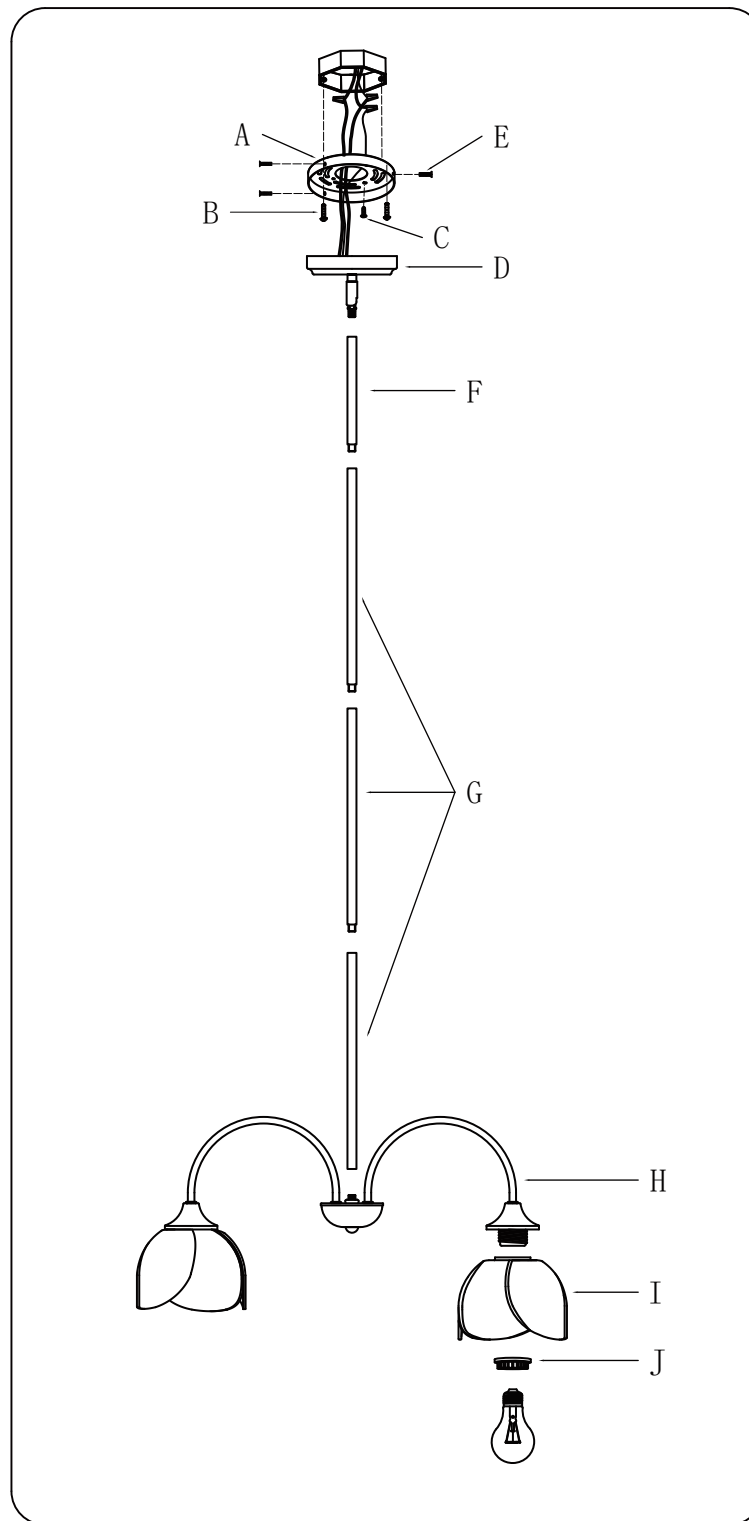
Best regards!

[Support Team]

**Warning:** If any special control devices are used with this fixture, follow the instructions carefully to assure full compliance with N.E.C.requirements. If there are any questions, contact a qualified electric contractor.

**Warning:** California Residents Proposition 65 This product contains lead, a chemical known to the state of California to cause cancer and birth defects or other reproductive harm. Do not place the product in your mouth. Wash your hands after handling this product.

**Caution:** It is highly recommended to get an electrician to install this light. Please make sure to turn the electricity off at the main circuit breaker before beginning installation. All glass is fragile. Use care when handling glass component(s) and/or lamp(s).



## WIRE CONNECTION DIAGRAM

Wires meeting safety standards are required to connect the electrical circuit.

**CAUTION:** Risk of fire



Please read all instructions carefully. Before you proceed to install, make sure that the power supply is turned off and remains off until installation is completed.

## PARTS INCLUDED

Code	Part Description	QTY
A	Mounting plate	1PC
B	Junction box screw	2PCS
C	Ground screw	1PC
D	Canopy	1PC
E	Mounting screw	3PCS
F	ROD 6"	1PC
G	ROD 12"	3PCS
H	Fixture body	1PC
I	Glass shade	3PCS
J	Socket ring	3PCS

# Assembly and Installation Steps

## Step1

- 1A. Unscrew the mounting screw (E) from the canopy (D) and detach the mounting plate (A).  
1B. Attach mounting plate (A) to junction box (not included) using junction box screw (B). The side of mounting plate (A) marked "GND" must face out.

