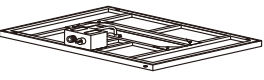
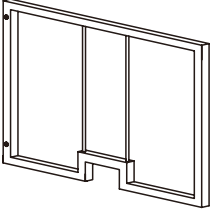
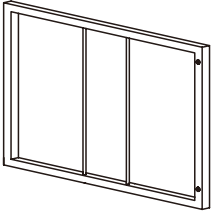
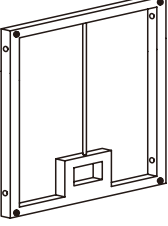

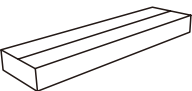





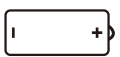
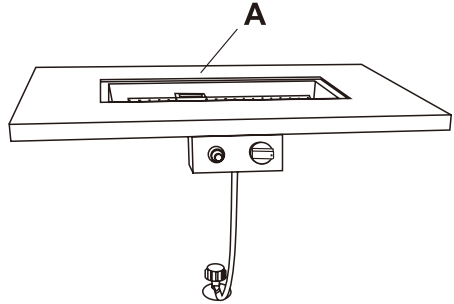


# FIREPIT RECTANGULAR ASSEMBLY INSTRUCTION

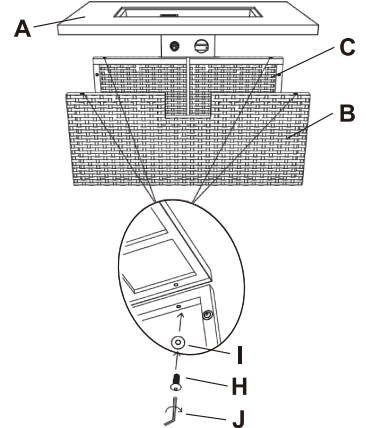
✳Please do not tighten bolts until all panels are connected.

A		1
B		1
C		1
D		2
E		1
F	 Fire glass	1
G		4
H		20
I		20
J		1
K		1
M		1

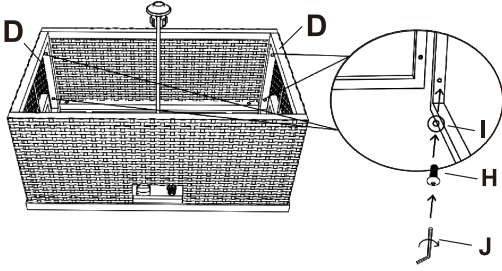
**1**



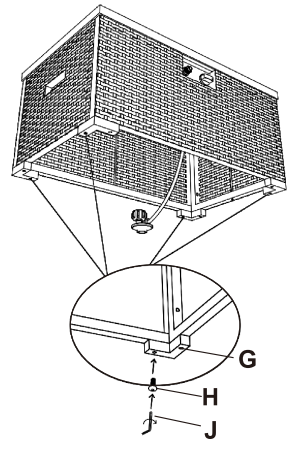
**2**



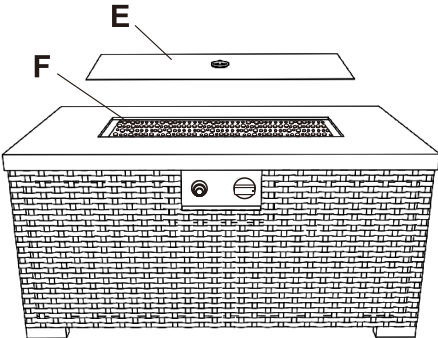
**3**



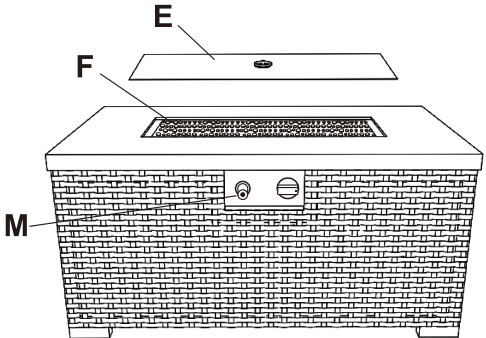
**4**



**5**

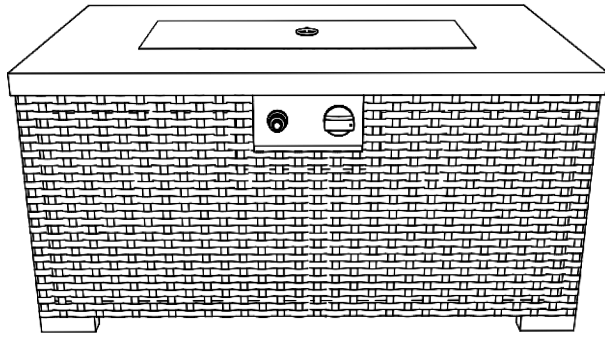


**6**



\*Remove the black knob and put battery in.

**7**



## NOTES

The ignition system of each stove has been tested before packaging, and it is normal for the burner or windguard glasses to have burning marks after testing.

Q&A:

1) How to install battery ?

Take off the black knob (On the left side of the ignition panel) then put the battery in.

Scan below QR code to watch video of battery installation.



2) How to ignite ?

Hold the red button by left hand and use right hand to gently press and rotate the right knob. Turn the right knob to adjust the intake propane.

Scan below QR code to watch video of ignition.



Firepit can not burn normally trouble shooting:

1) check whether the AA battery has been put in the igniter.

2) check whether there are enough propane in the tank.

3) check whether the thermocouple is loose in transit.

Scan below QR code to watch video of how to tighten thermocouple.

