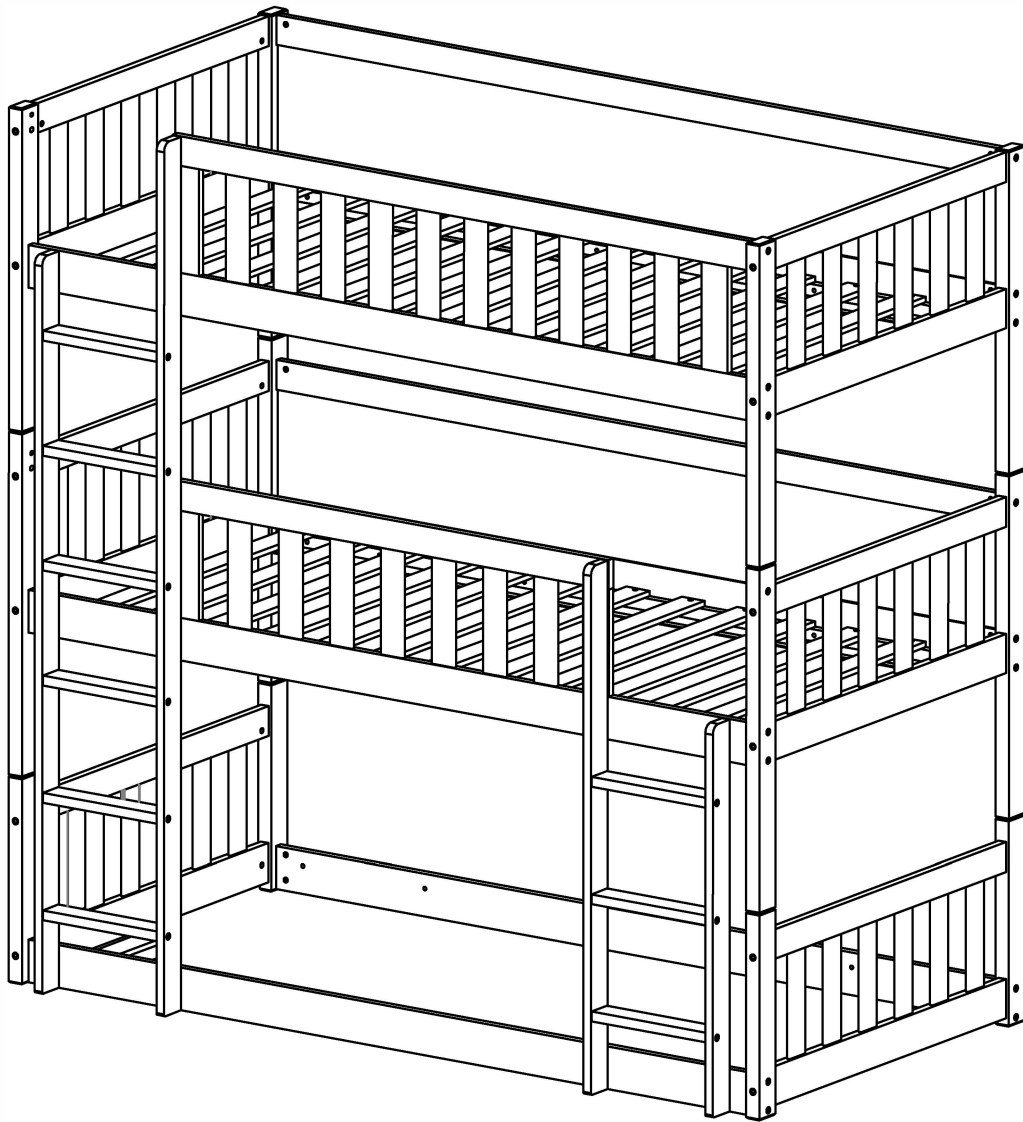


ASSEMBLY INSTRUCTIONS

TWIN TRIPLE BUNK BED





SAFETY WARNING



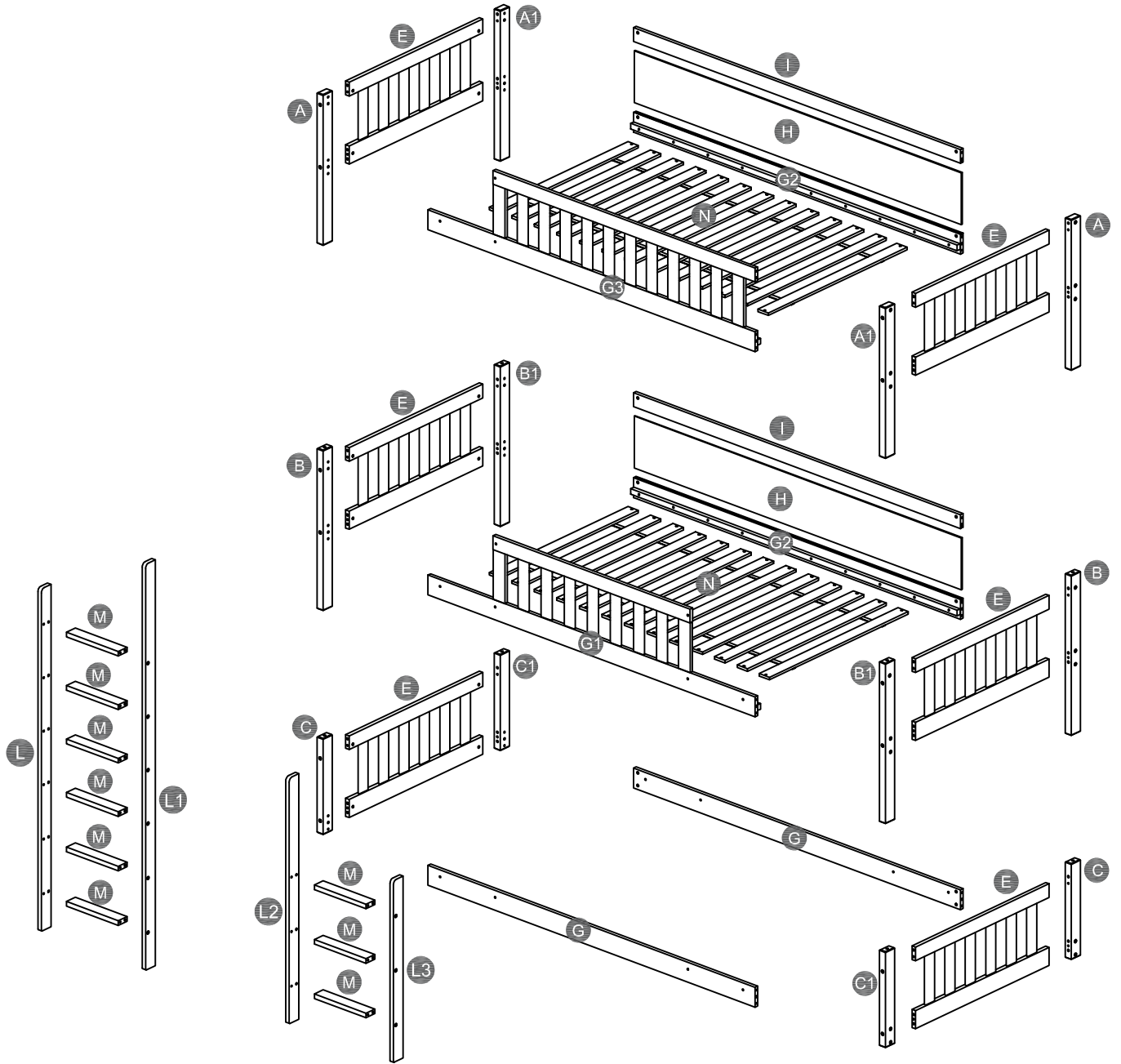
1. This bed is designed for use only mattress (es) meeting the following specifications on the upper bunk, and lower bunk:

Bed (Bunk bed and triple included)



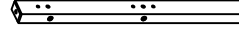
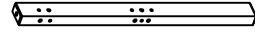
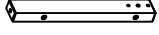
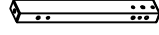
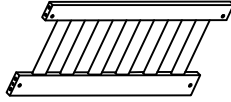
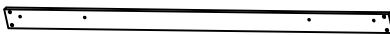
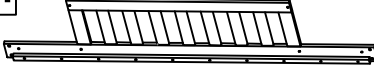

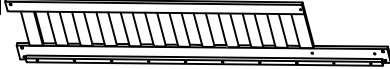
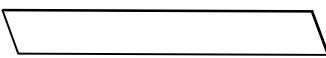

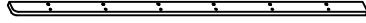
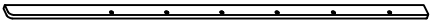
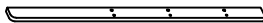
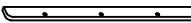
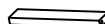
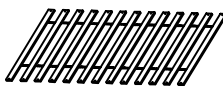
Bed type	Length	With	Thickness
Twin Standard	74"-75"	38 1/2"	6" max

2. Replacement parts, including additional guardrails, maybe obtained from any of our dealers.
3. Follow the information on the warnings appearing on the upper bunk bed end structure and on the carton. Do not remove warning label from bed.
4. Always use the recommended size mattresses or mattress supports, or both, to help prevent the likelihood of entrapment or falls.
5. Surface of mattress must be at least 5" (127mm) below the upper edge of guardrails.
6. Do not allow children under 6 years of age to use the upper bunk.
7. Periodically check and ensure that the guardrail, ladder, and other components are in their proper position, free from damage, and that all connectors are tight.
8. Do not allow horseplay on or under the bed and prohibit jumping on the bed.
9. Always use the ladder for entering and leaving the upper bunk.
10. Do not use substitute part. Contact the manufacture or dealer for replacement part.
11. Use of a night light may provide added safety precaution for a child using the upper bunk.
12. Always use guardrails on both long sides of the upper bunk. If the bunk bed will be placed next to the wall, the guardrail that runs the full length of the bed should be placed against the wall to prevent entrapment between the bed and wall.
13. The use of water or sleep flotation mattresses is prohibited.
14. **STRANGULATION HAZARD** - Never attach or hang items to any part of the bunk bed that are not designed for use with the bed; for example, but not limited to, hook, belts and jump ropes.
15. Keep these instruction for future reference.


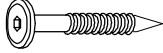

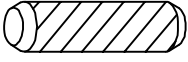
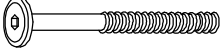
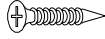

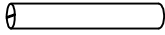


Detail View



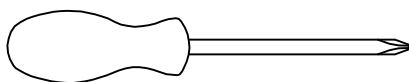
Part List

A  Upper Leg - 2pcs	A1  Upper Leg - 2pcs	B  Middle Leg - 2pcs
B1  Middle Leg - 2pcs	C  Lower Leg - 2pcs	C1  Lower Leg - 2pcs
E  Hb. Fb. Panel - 6pcs	G  Side Rail Lower (Front & Back) - 2pcs	G1  Side Rail Middle (Front) - 1pc
G2  Side Rail Middle & Upper (Back)- 2pcs	G3  Side Rail Upper (Front) - 1pc	H  Guardrail Panel Middle & Upper (Back) - 2pcs
I  Top Guardrail Middle & Upper (Back) - 2pcs	L  Ladder Rail Left (Short) - 1pc	L1  Ladder Rail Left (Long) - 1pc
L2  Ladder Rail Right (Long) - 1pc	L3  Ladder Rail Right (Short) - 1pc	M  Ladder Step - 9pcs
N  Bed Slats - 2Sets		

Hardware List

<p>1</p>  <p>M6 x 100mm JCBC (24pcs)</p>	<p>2</p>  <p>M6 x 50mm JCBC-W (31pcs)</p>	<p>3</p>  <p>M6 x 15mm Barrel Nut (53pcs)</p>
<p>4</p>  <p>M10 x 30mm Wood Dowel (71pcs)</p>	<p>5</p>  <p>M6 x 80mm JCBC (29pcs)</p>	<p>6</p>  <p>M4 x 25mm CSK Screw (44pcs)</p>
<p>7</p>  <p>M6 x 30mm JCBC-W (8pcs)</p>	<p>8</p>  <p>M10 x 100mm Metal Pin (8pcs)</p>	<p>9</p>  <p>Sticker Cap (17pcs)</p>
<p>10</p>  <p>M4 Allen Key (1pc)</p>		

ASSEMBLY TOOLS REQUIRED (NOT INCLUDED)






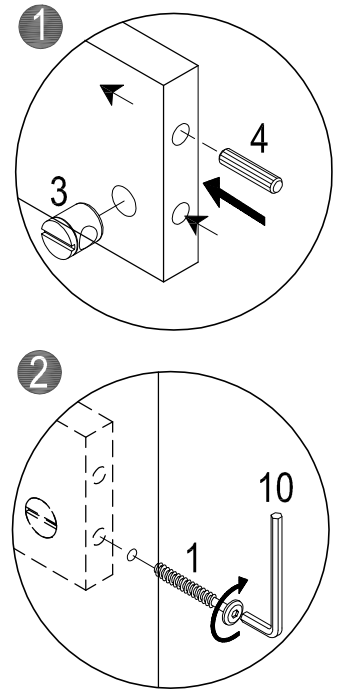
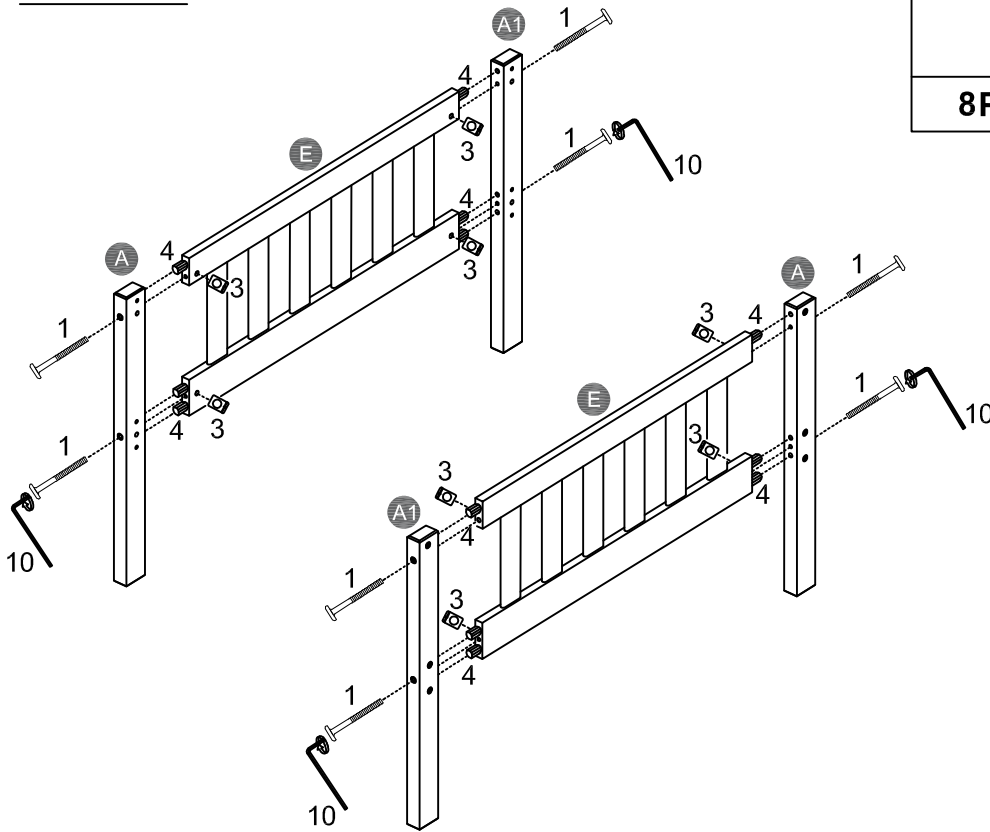
(Phillip head screwdriver)






DO NOT USE POWER TOOLS TO ASSEMBLE THIS PRODUCT !

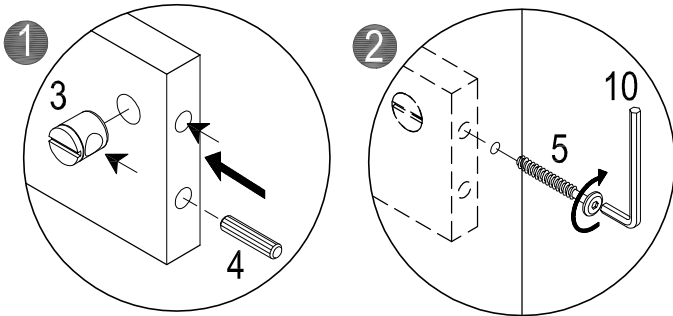
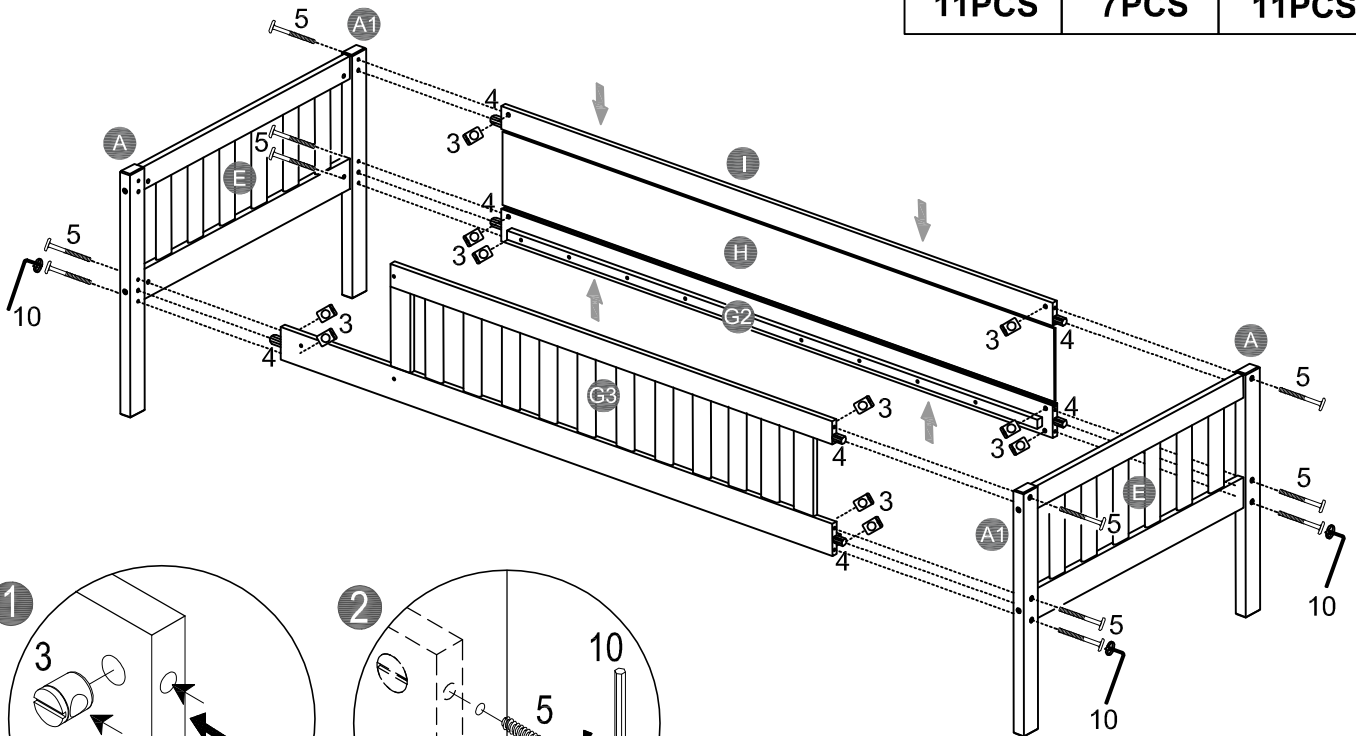
STEP 1:

1		3		4	
8PCS		8PCS		12PCS	





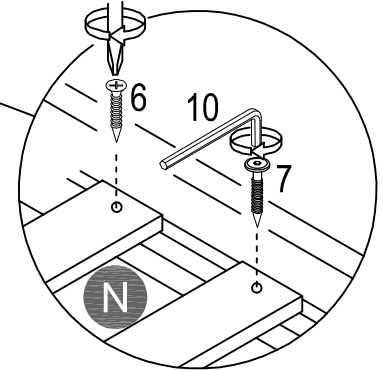
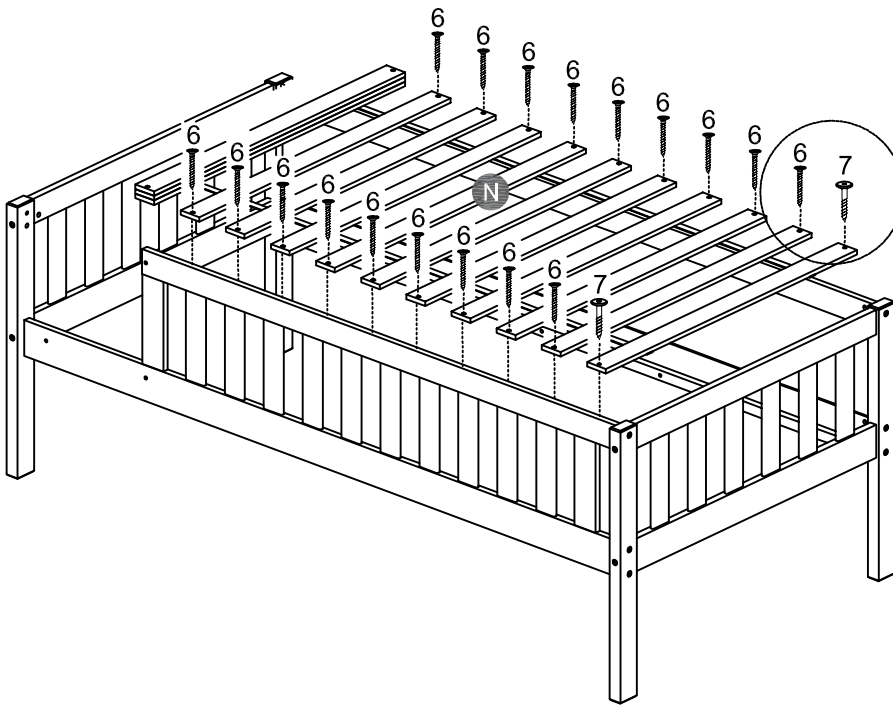
STEP 2:

3		4		5	
11PCS		7PCS		11PCS	






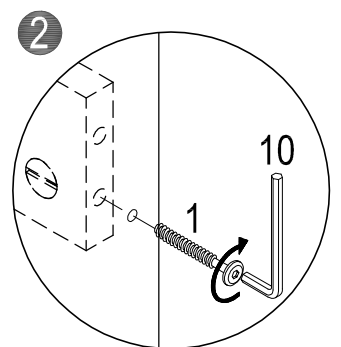
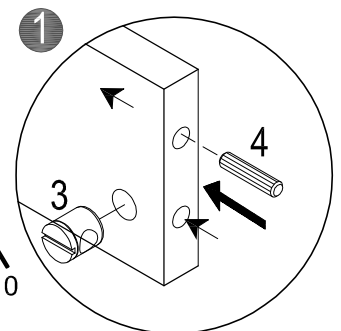
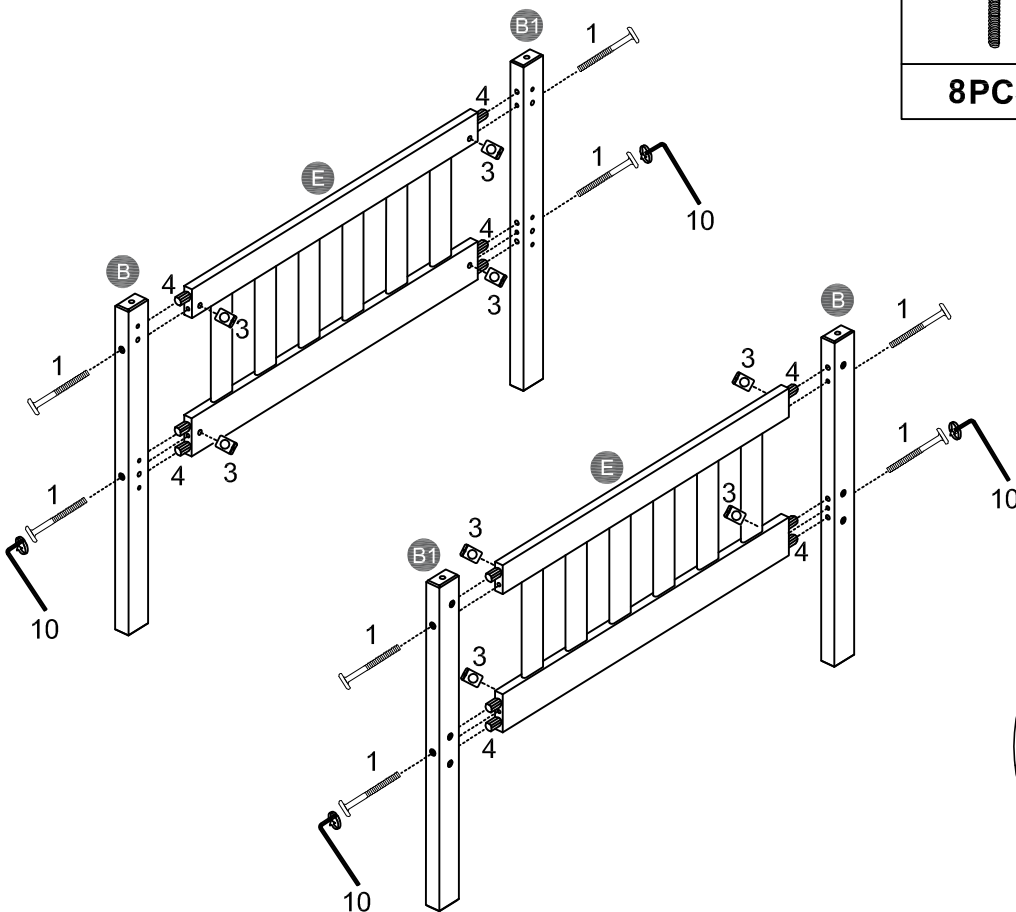
STEP 3:

6		7	
18PCS		2PCS	






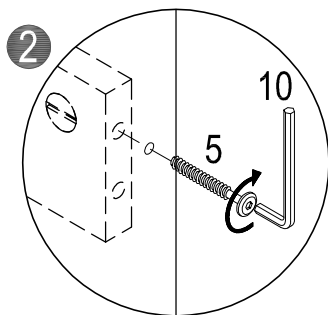
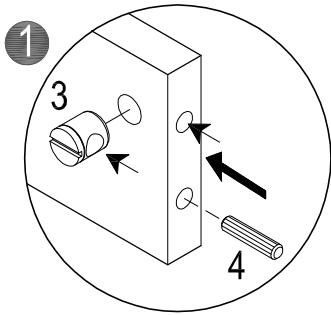
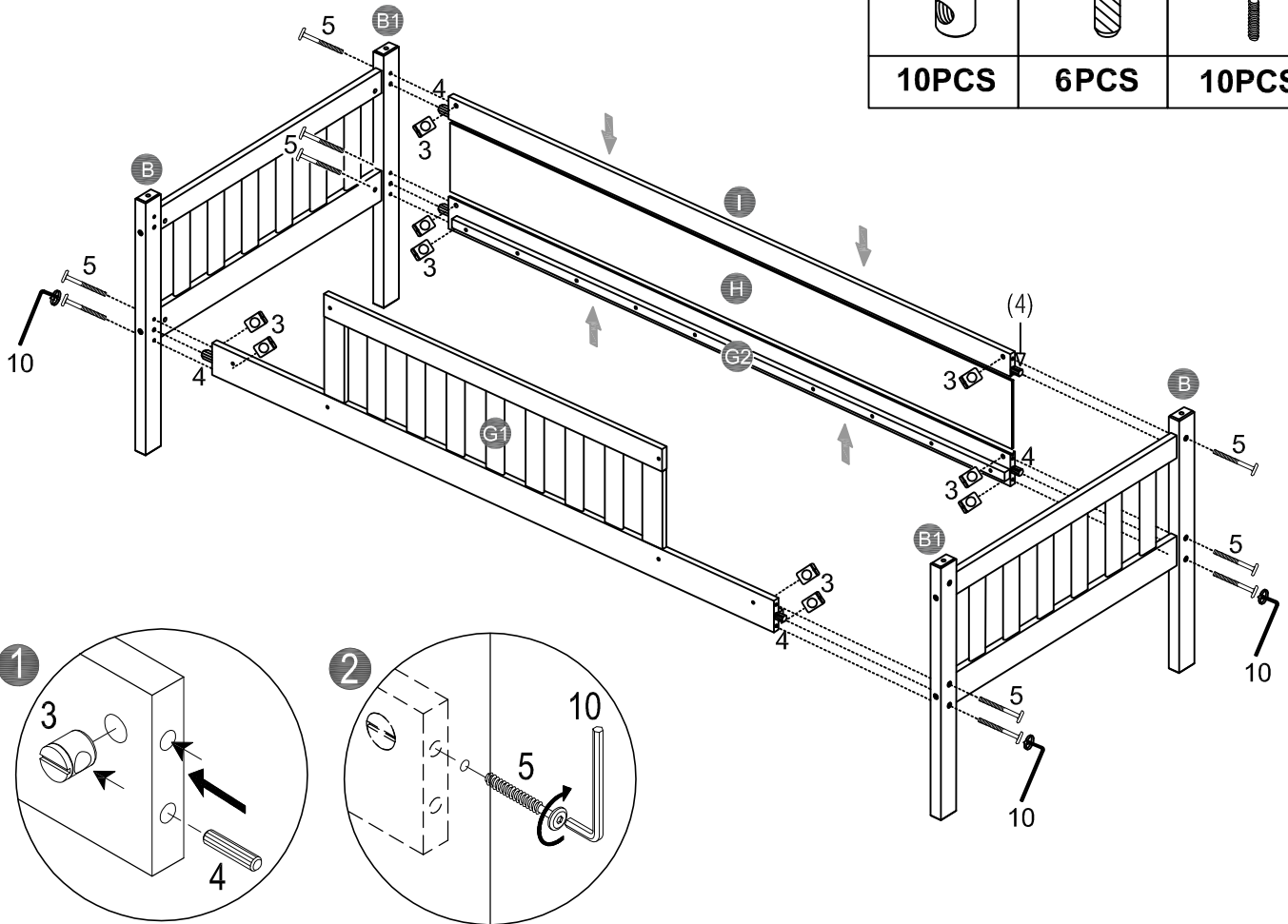
STEP 4:

1		3		4	
8PCS		8PCS		12PCS	




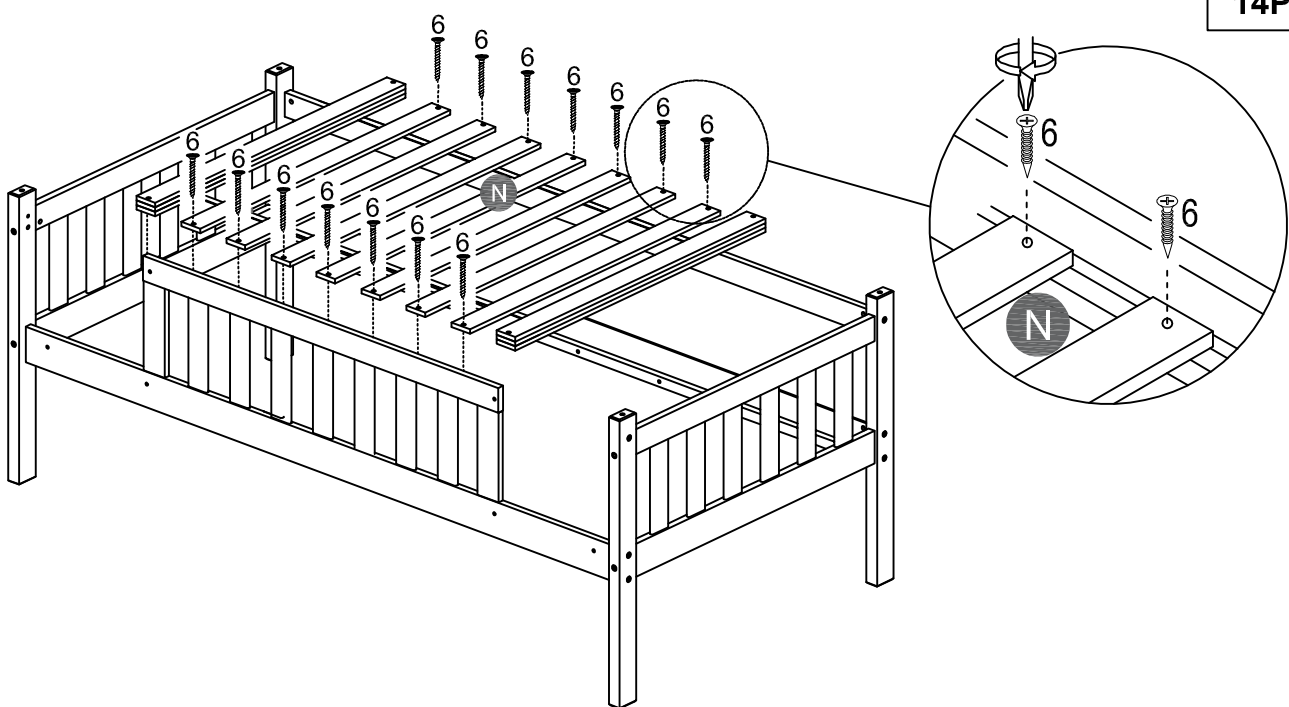
STEP 5:

3	4	5
		
10PCS	6PCS	10PCS

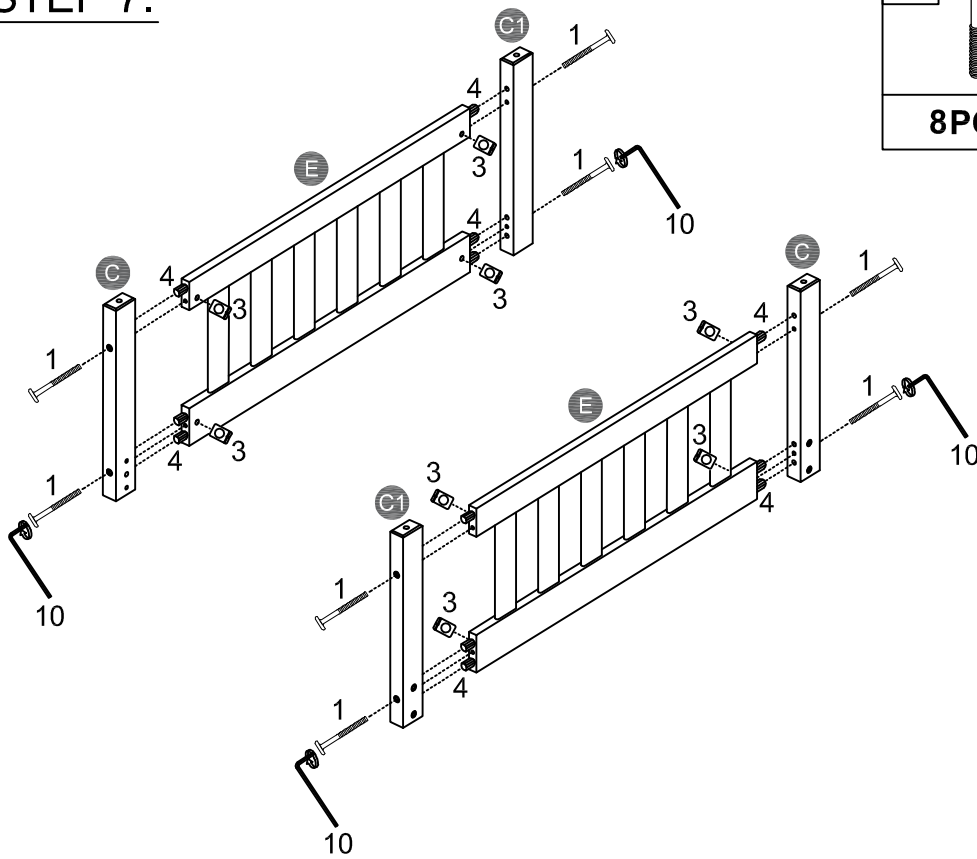





STEP 6:

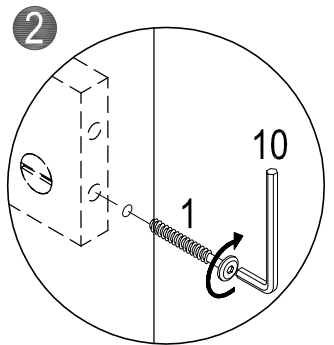
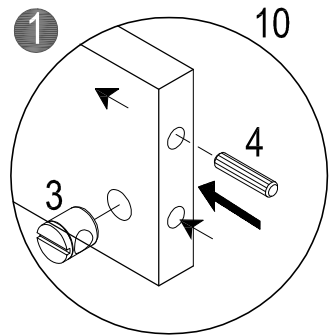
6

14PCS



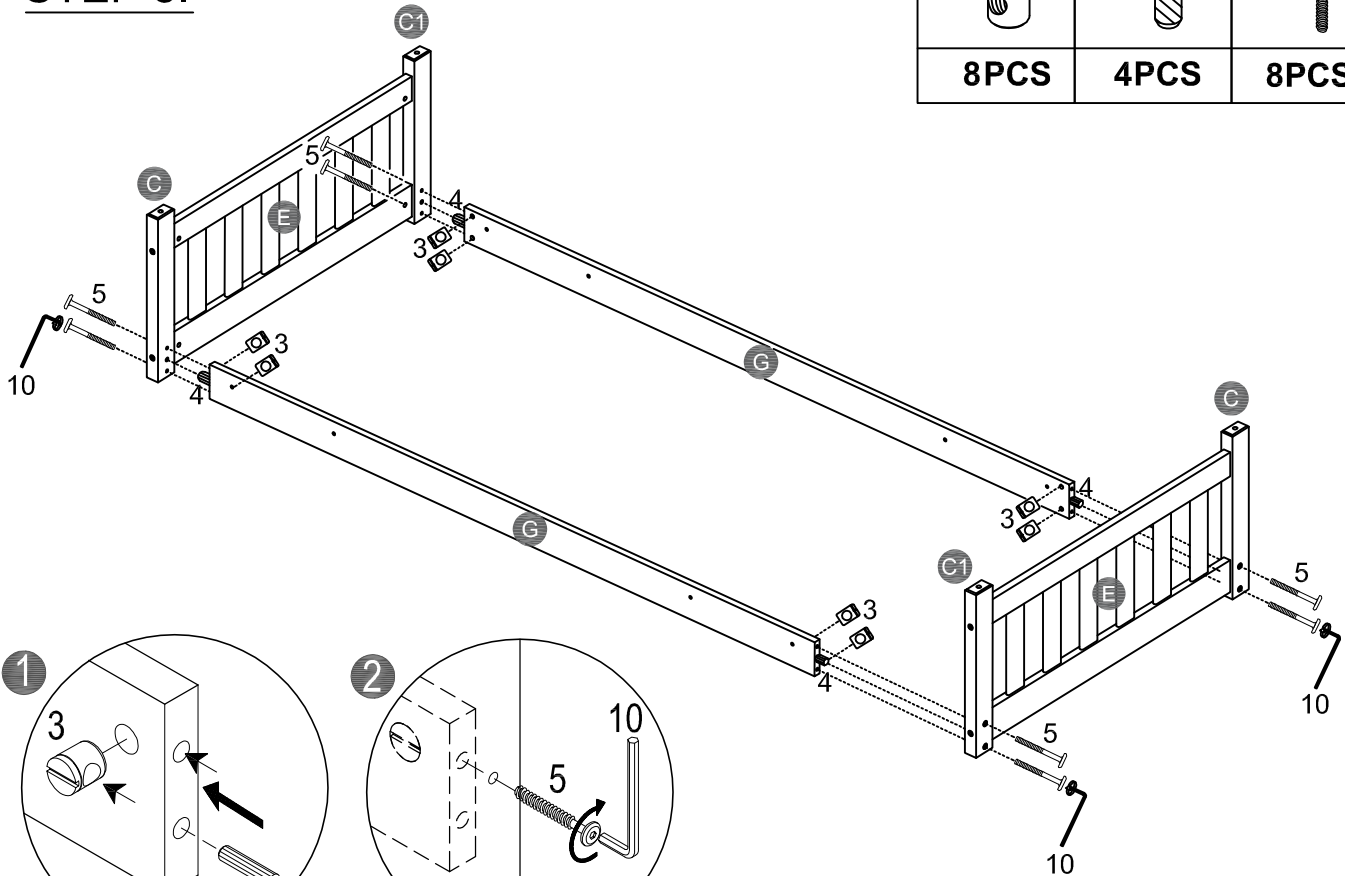
STEP 7:






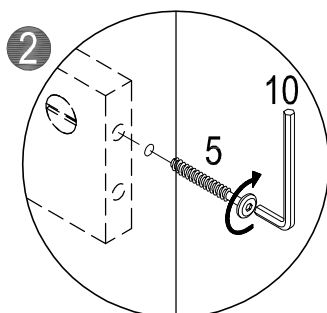
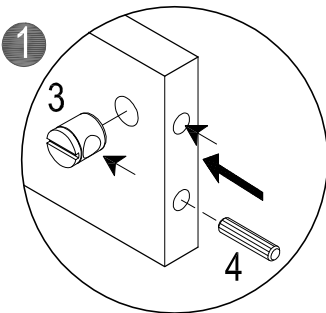
1		3		4	
8PCS		8PCS		12PCS	



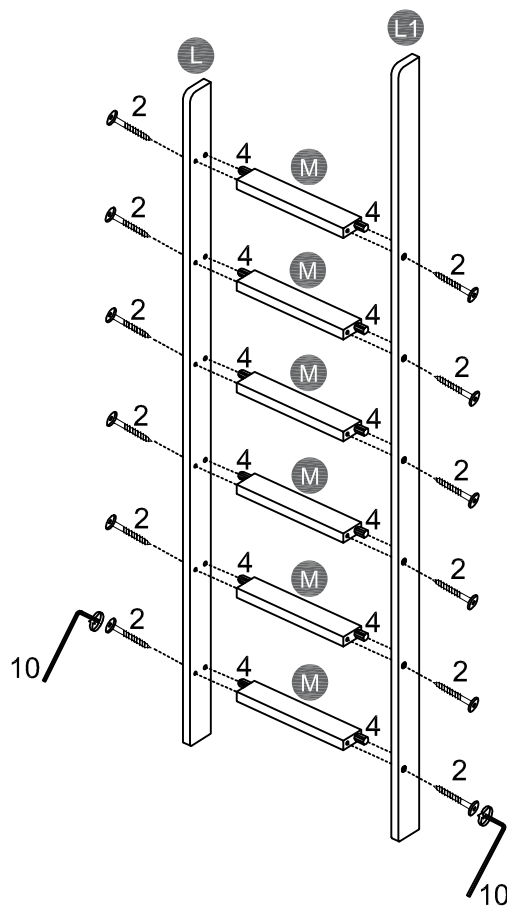
STEP 8:

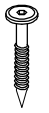



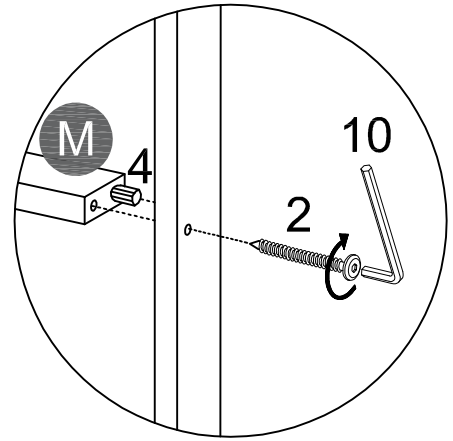
3		4		5	
8PCS		4PCS		8PCS	



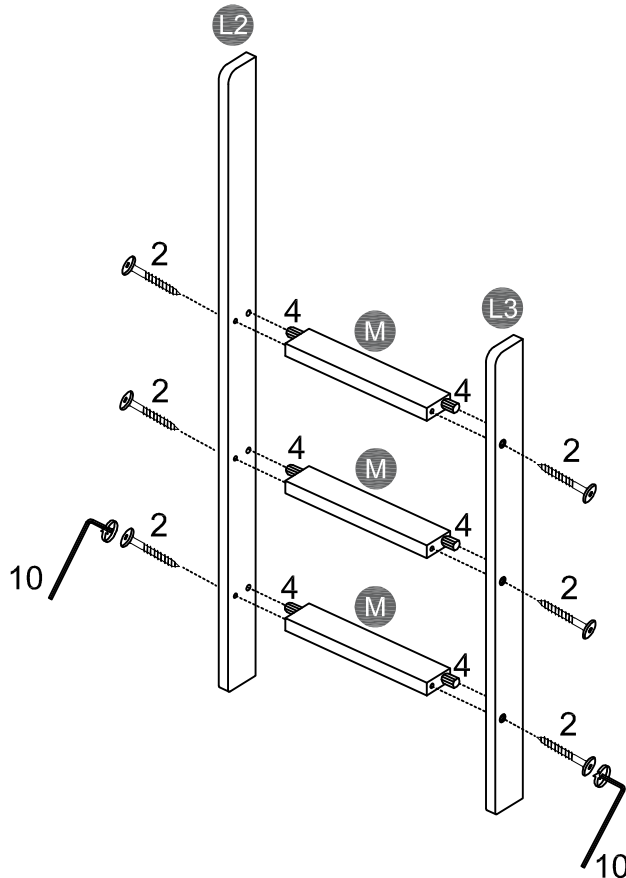
STEP 9:

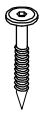



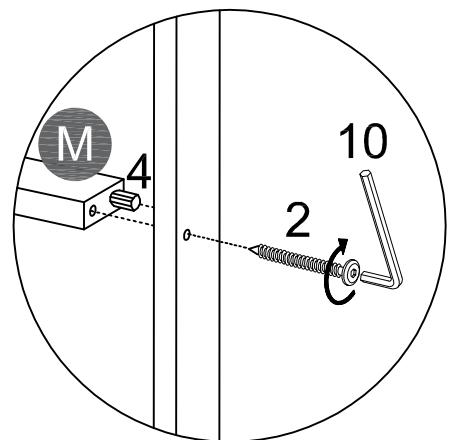
2		4	
12PCS		12PCS	



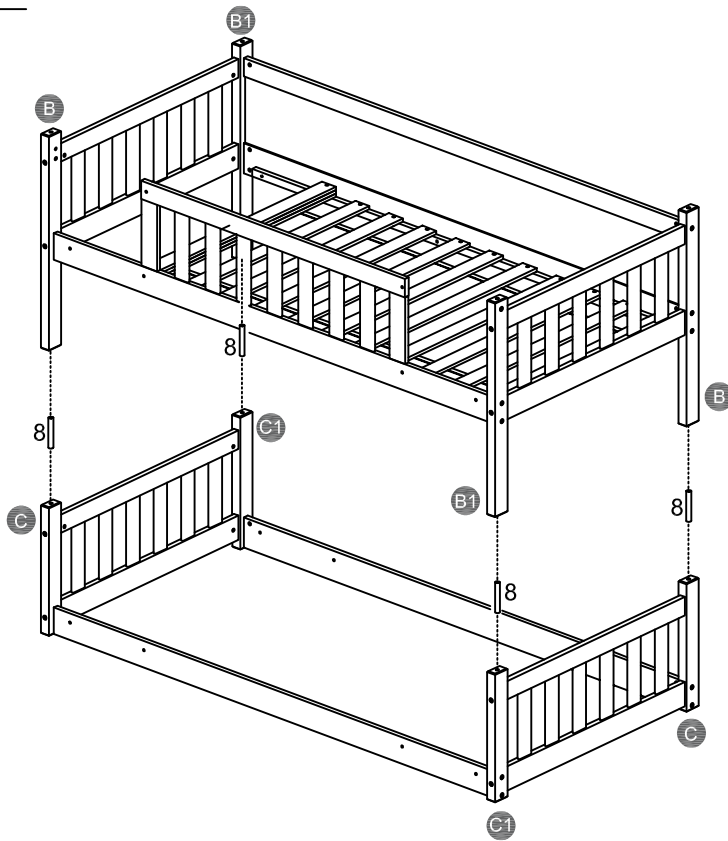
STEP 10:



2		4	
6PCS		6PCS	



STEP 11:

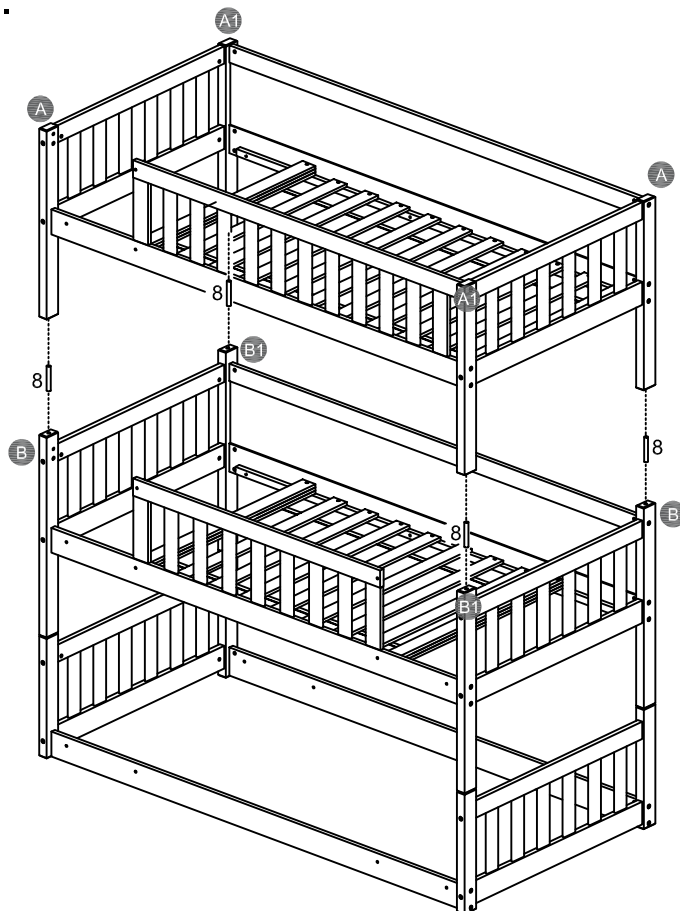


8



4PCS

STEP 12:



8



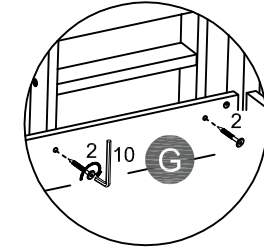
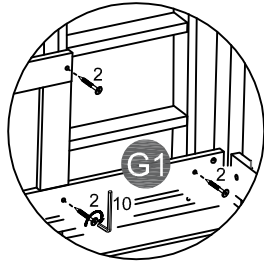
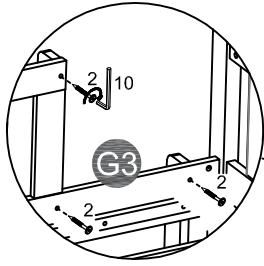
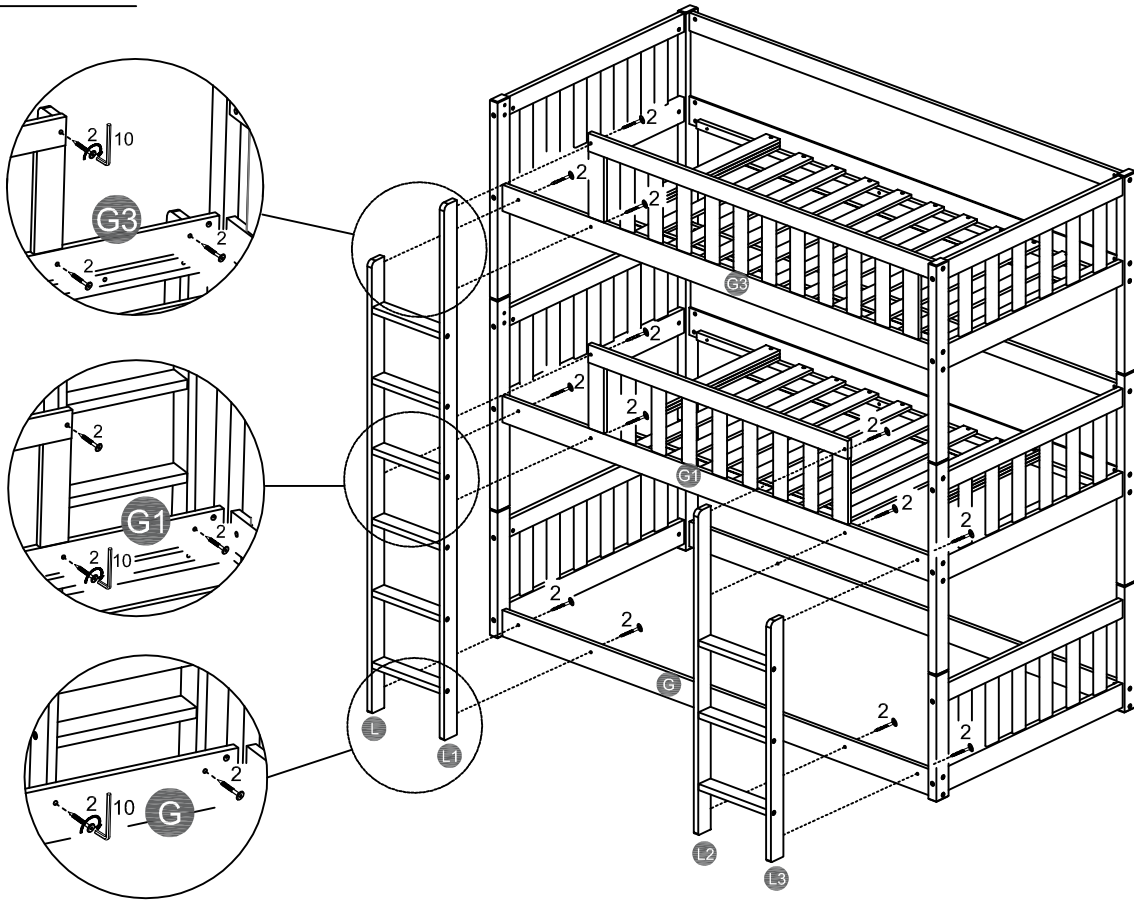
4PCS

STEP 13:

2



13PCS



STEP 14:

6

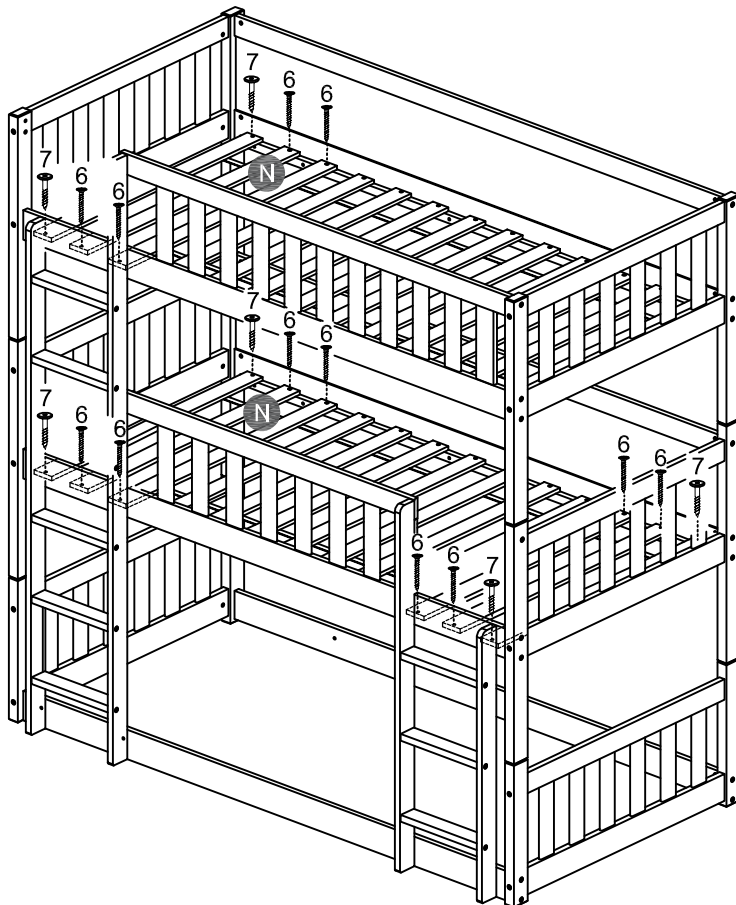


12PCS

7



6PCS

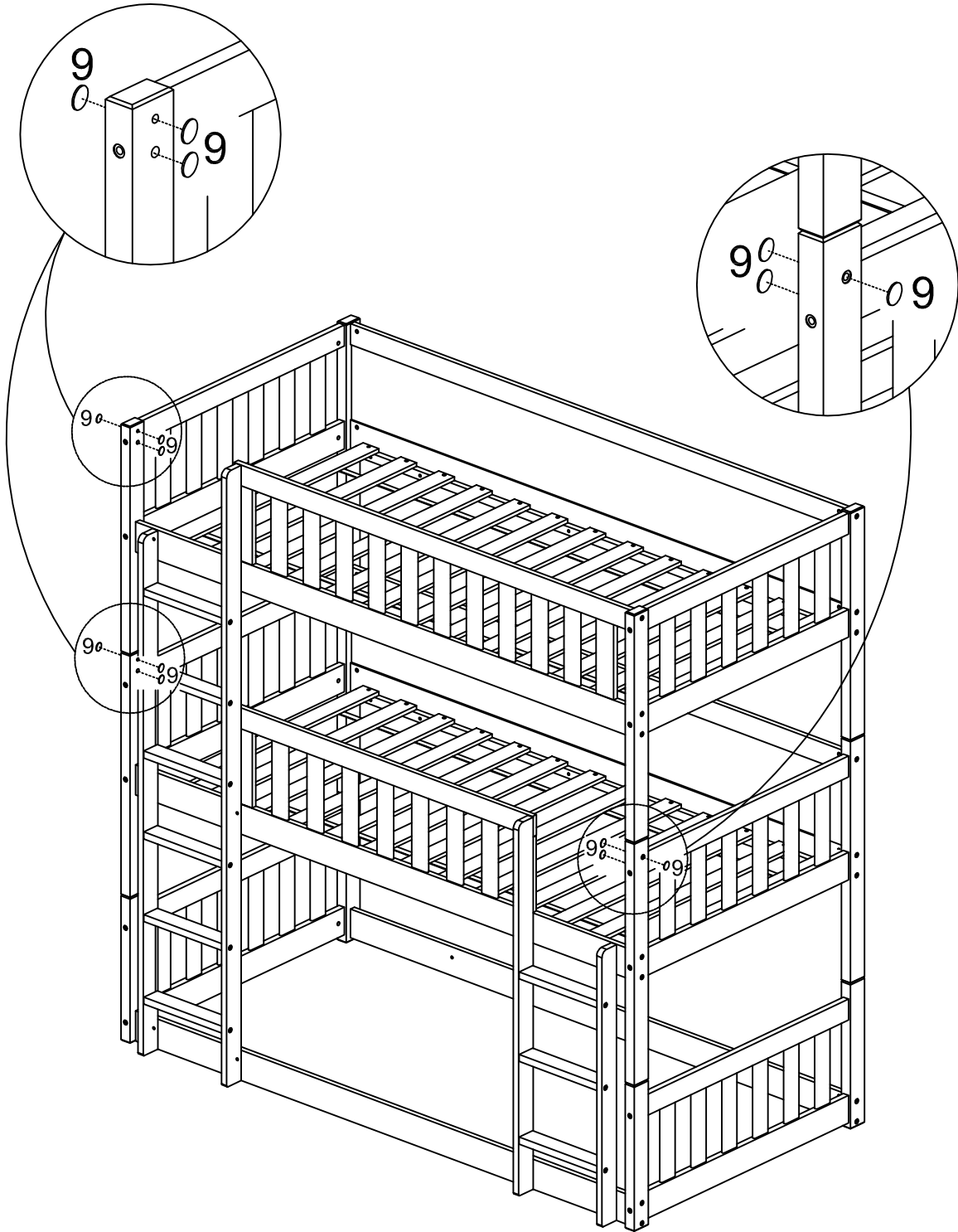


STEP 15:

9

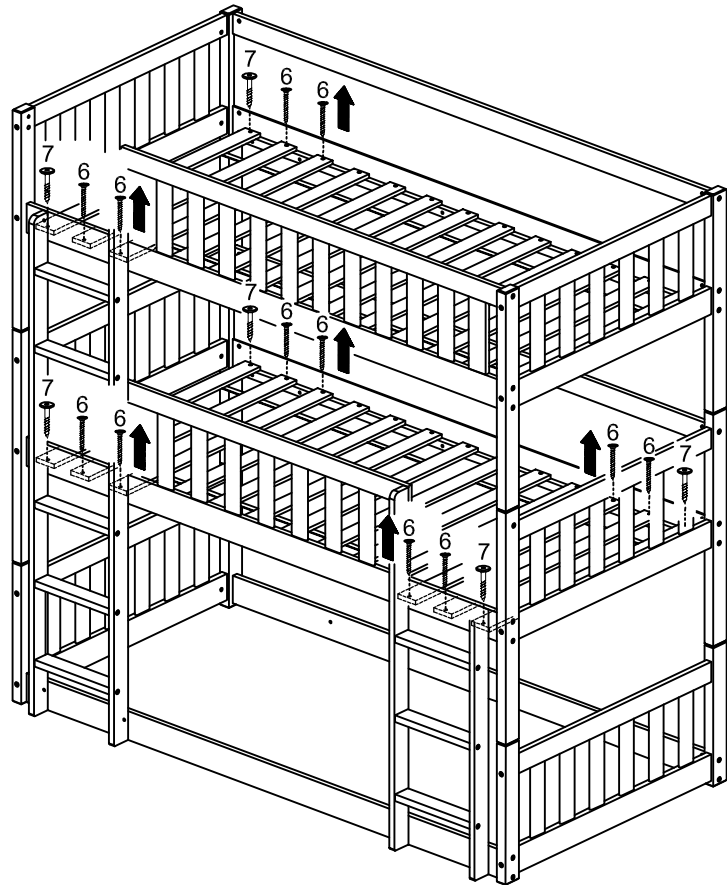


9PCS

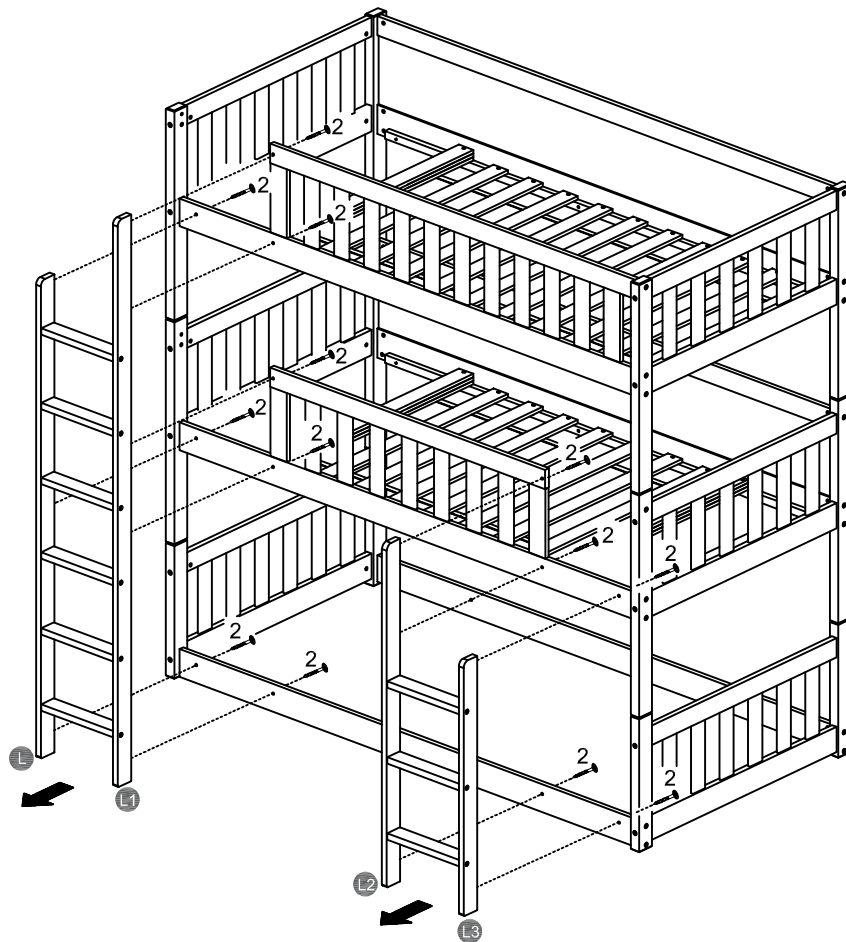


STEP 1:

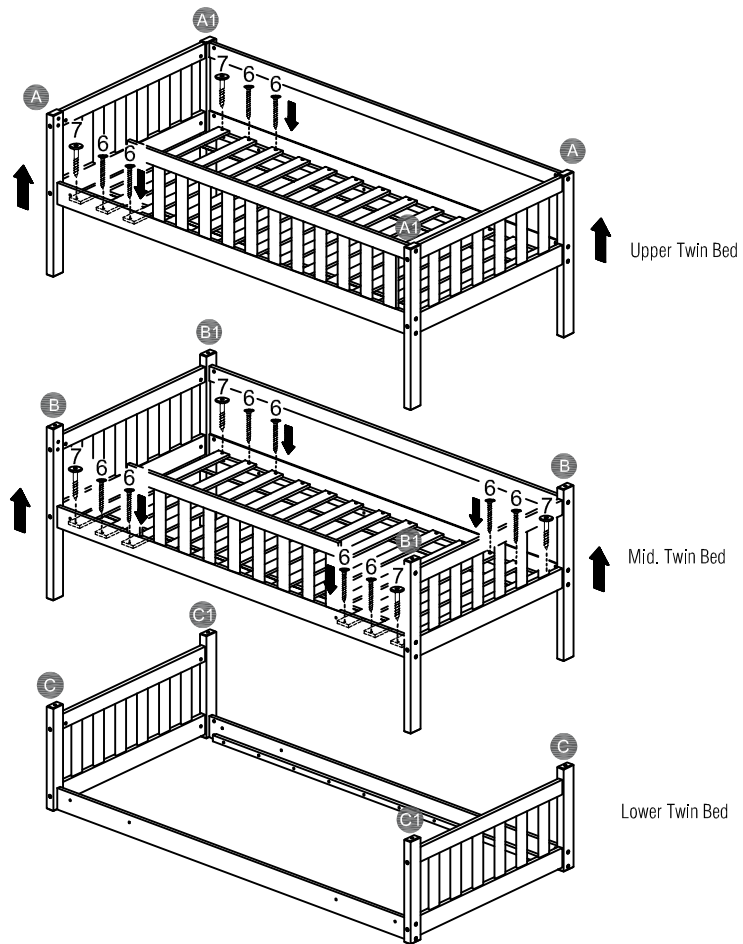
Converting the Bunk Bed into Three Single Beds



STEP 2:



STEP 3:



STEP 4:

