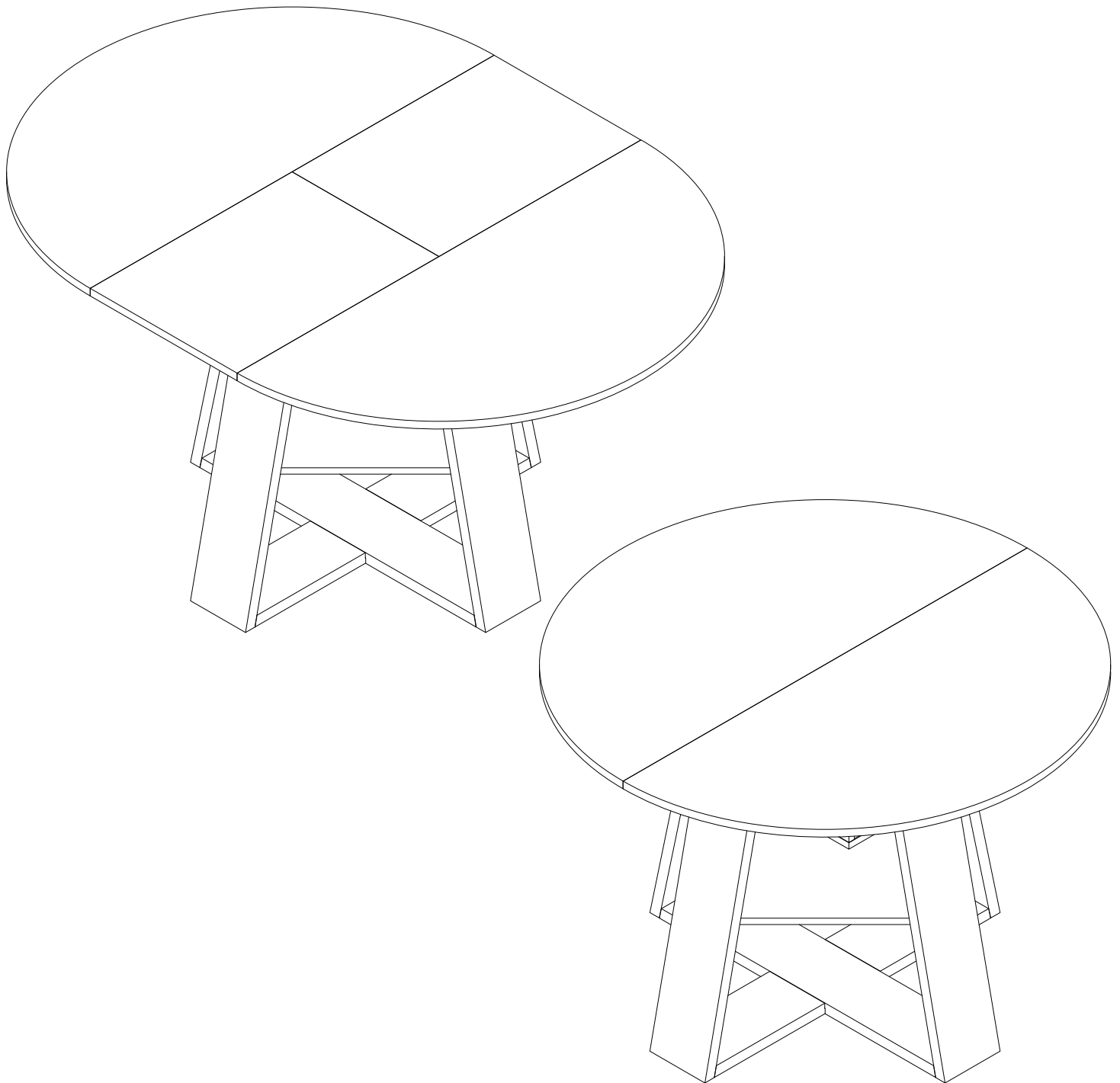
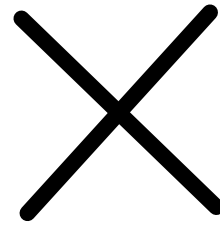
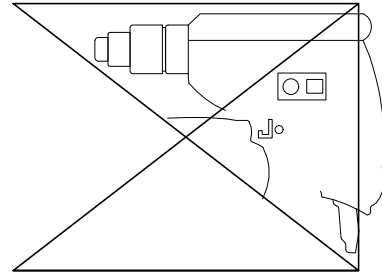
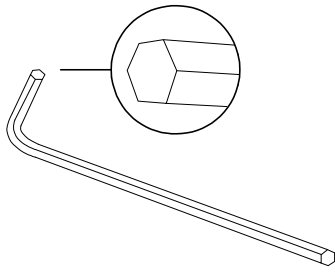


Installation Manual

Assembly Instructions - Please keep for future reference



Important – Please read these instructions fully before starting assembly



(DE): Verwenden Sie beim Anbringen der Tischplatte keinen Bohrer! Bitte verwenden Sie die im Paket enthaltenen Werkzeuge.

(UK): Do not use an electric drill when installing the desktop! Please use the tools provided in the package.

(FR): Ne pas utiliser de perceuse électrique lors de l'installation du plateau de table ! Veuillez utiliser les outils fournis dans l'emballage.

(IT): Non utilizzare un trapano elettrico durante l'installazione del piano del tavolo! Si prega di utilizzare gli strumenti forniti nella confezione.

(ES): ¡No utilice un taladro eléctrico al instalar el escritorio! Por favor, use las herramientas incluidas en el paquete.

(NL): Gebruik geen elektrische boormachine bij het monteren van het tafelblad! Gebruik de meegeleverde gereedschappen uit de verpakking.

(SE): Använd inte en elektrisk bormaskin vid montering av bordsskivan! Använd de verktyg som medföljer i förpackningen.

(PL): Nie używaj wiertarki elektrycznej podczas montażu blatu! Użyj narzędzi dołączonych do opakowania.



Safety and Care Advice

Important – Please read these instructions fully before starting assembly

- Check you have all the components and tools listed on the following pages.
- Remove all fittings from the plastic bags and separate them into their groups.
- Keep children and animals away from the work area, small parts could choke if swallowed.
- Make sure you have enough space to layout the parts before starting.

- During assembly do not stand or put weight on the product, this could cause damage.
- Assemble the item as close to its final position (in the same room) as possible.
- Assemble on a soft level surface to avoid damaging the unit or your floor.
- Parts of the assembly will be easier with 2 people.



power drill is set on a low torque setting.

- To reduce the likelihood of damaging your product please ensure that your

Care and maintenance

• Only clean using a damp cloth and mild detergent, do not use bleach or abrasive cleaners.

• From time to time check that there are no loose screws on this unit.

• This product should not be discarded with household waste. Take to your local authority waste disposal centre.

Handy Hints

• Assemble all parts and bolts loosely during assembly, only once the product is complete should you fully tighten the bolts

• Regularly check and ensure That all bolts and fittings are tightend properly.

WARNING In order to help prevent overturning – please follow these instructions

To help prevent product toppling over please follow the below steps:-

Use the anti tip stap or wall fixing method provided (if applicable)
Do not allow children to climb or hang on the furniture
Do not open more than one drawer at a time
Do not place heavy items in the top drawers
Do not place heavy items on top of the furniture, unless the furniture has been designed for this purpose



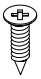
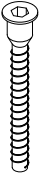

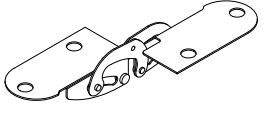
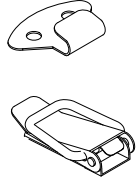
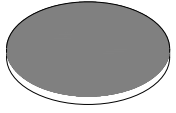

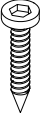
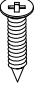
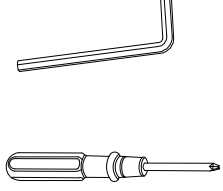
Please note that only the anti tip strap is provided.

You will need to provide wall plugs and screws applicable for your wall type

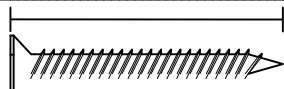
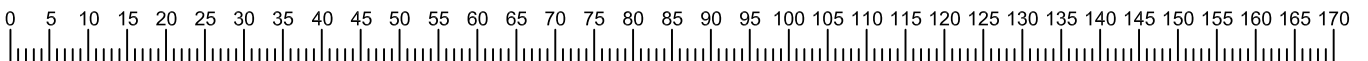
Components - Fittings

Please check you have all the parts listed below

Note: The quantities below are the correct amount to complete the assembly. In some cases more fittings may be supplied than are required.

<p>(A)</p>  <p>x20</p>	<p>(B)</p>  <p>φ15 x20</p>	<p>(C)</p>  <p>M3.5*14mm x64</p>	<p>(D)</p>  <p>M6*40mm x10</p>
<p>(E)</p>  <p>x12</p>	<p>(F)</p>  <p>x2</p>	<p>(G)</p>  <p>x4</p>	<p>(H)</p>  <p>x12</p>
<p>(I)</p>  <p>x8</p>	<p>(J)</p>  <p>M5*30mm x8</p>	<p>(K)</p>  <p>M3.5*20mm x4</p>	

Ruler - Use this ruler to help correctly identify the screws



The screws length is measured from the head to the point (35mm screw shown).

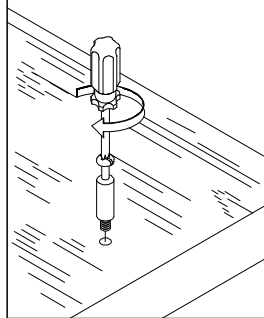
Using Camlocks

Step 1

Connect the male camlock as directed in the assembly instructions using a screwdriver.

1

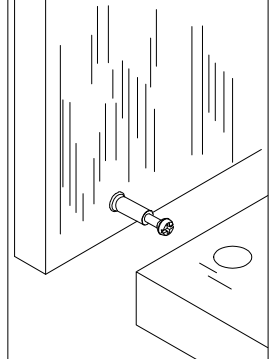
DO NOT OVER TIGHTEN.
NE PAS SERRER EXCESSIVEMENT.



Step 2

Push the male camlock into the entry hole.

2

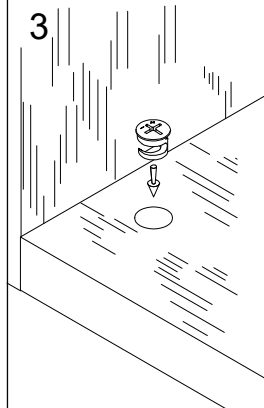


Step 3

Insert the female camlock as shown in the instruction.

Note: ensure that the arrow on the top of the camlock points towards the entry hole for the male camlock.

3



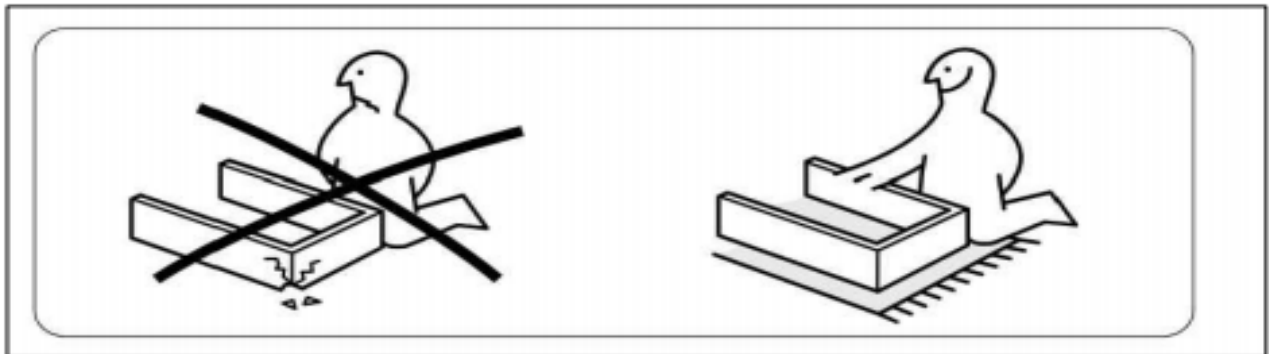
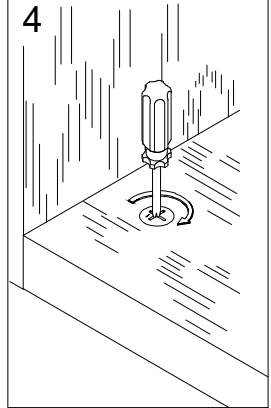
Step 4

Turn the female camlock clockwise with a screwdriver.

You should feel a click when the camlock is locked in place.

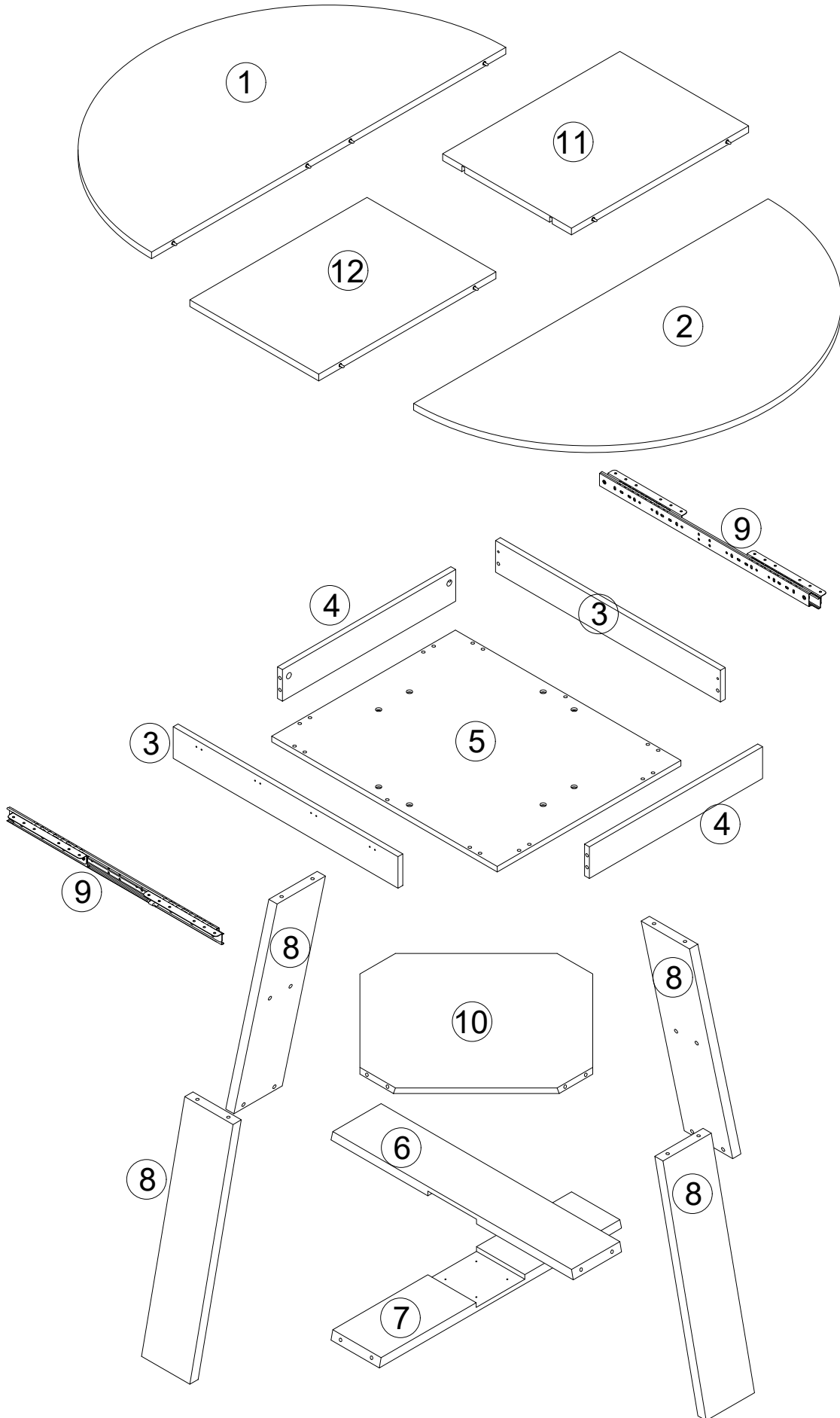
The joint is now secure.

4

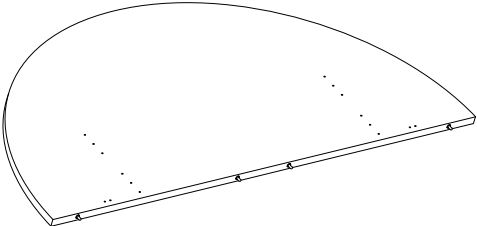
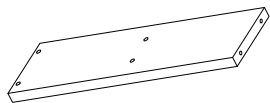
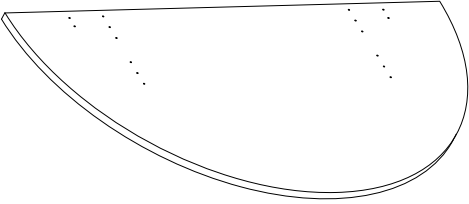
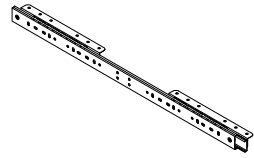
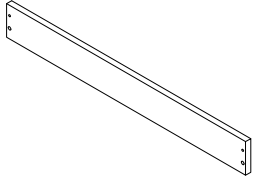

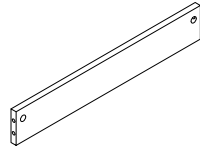
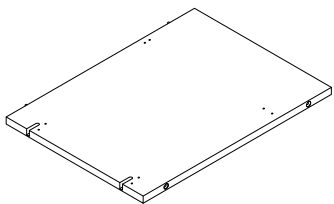
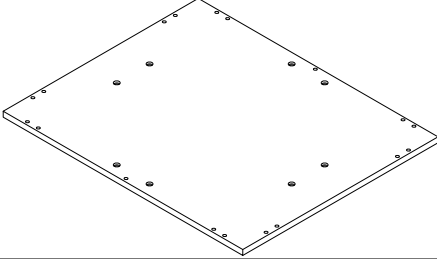
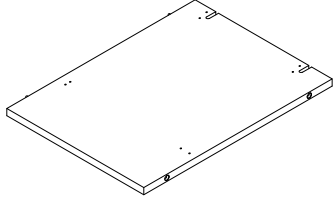
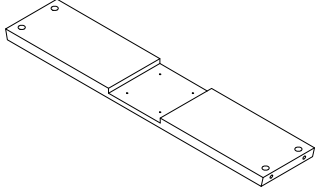
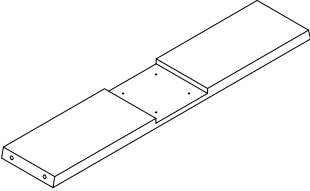


Make sure to put one carpet or some thicker film under the cabinet body during the installation in order to avoid scratch or damage to the parts.

Assembly Instructions

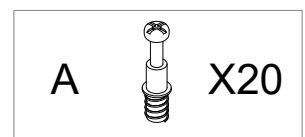
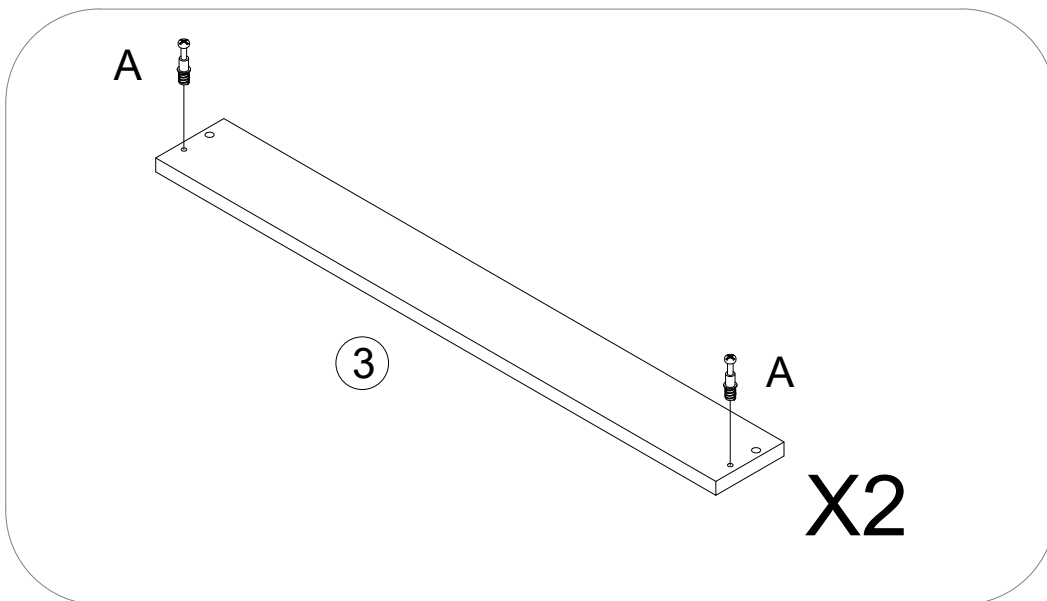
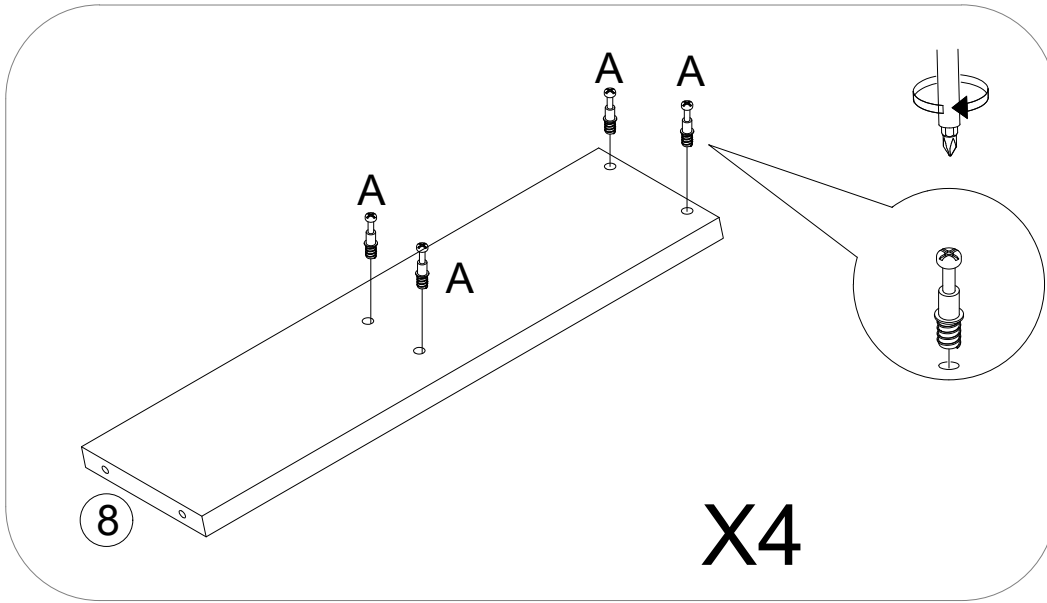
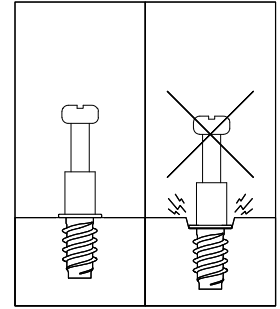


Assembly Instructions

<p>①</p>  <p>1</p>	<p>⑧</p>  <p>4</p>
<p>②</p>  <p>1</p>	<p>⑨</p>  <p>2</p>
<p>③</p>  <p>2</p>	<p>⑩</p>  <p>1</p>
<p>④</p>  <p>2</p>	<p>⑪</p>  <p>1</p>
<p>⑤</p>  <p>1</p>	<p>⑫</p>  <p>1</p>
<p>⑥</p>  <p>1</p>	
<p>⑦</p>  <p>1</p>	

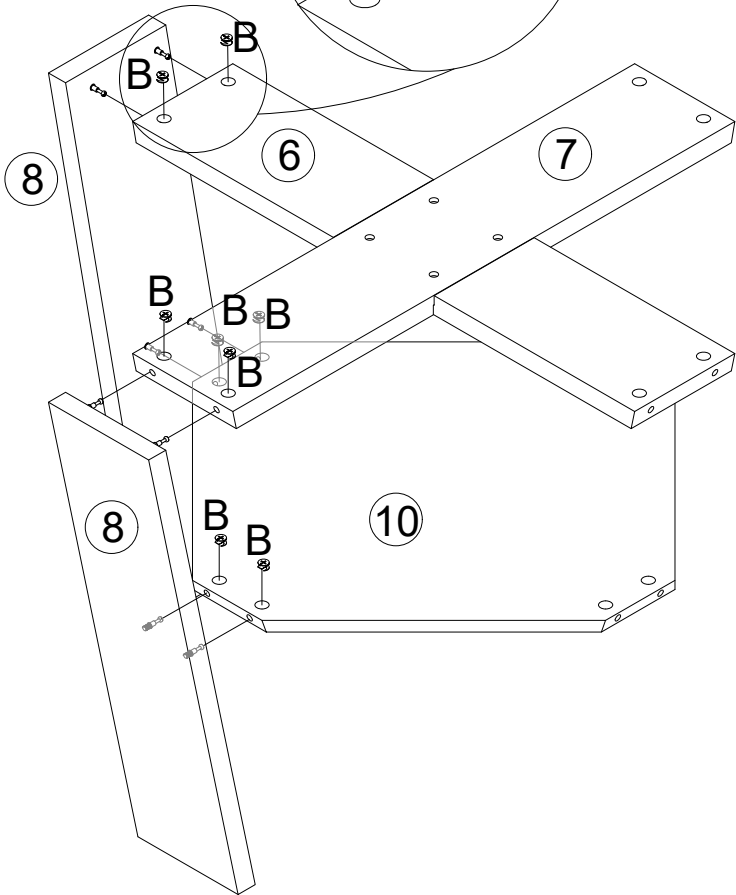
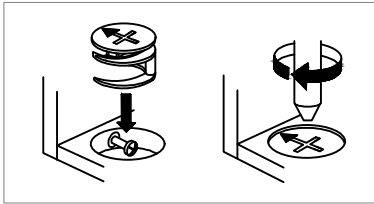
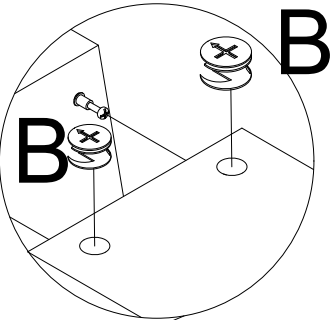
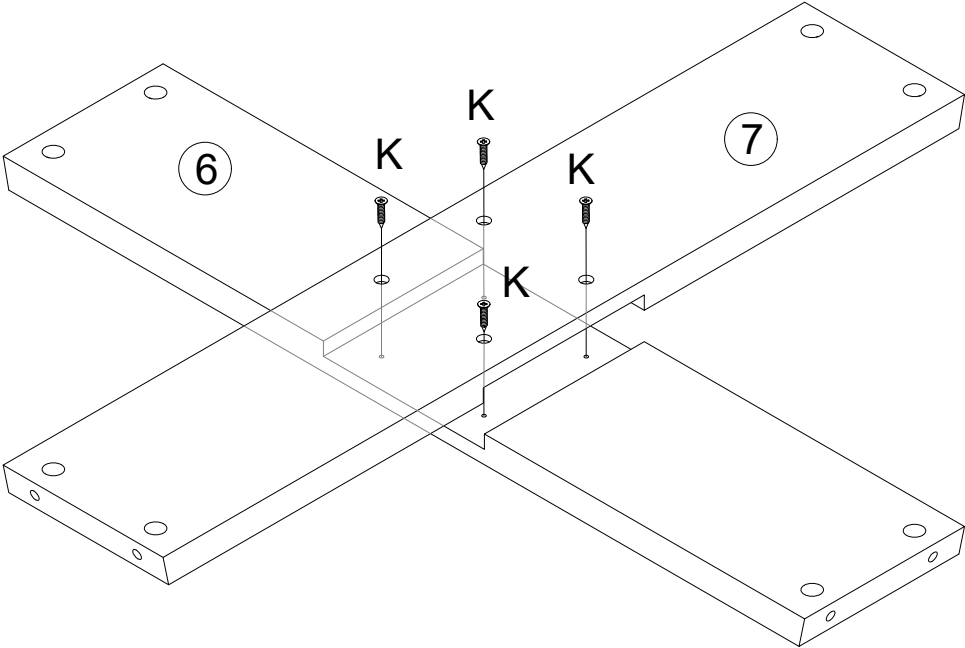
Assembly Instructions


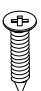
Step 1



Assembly Instructions

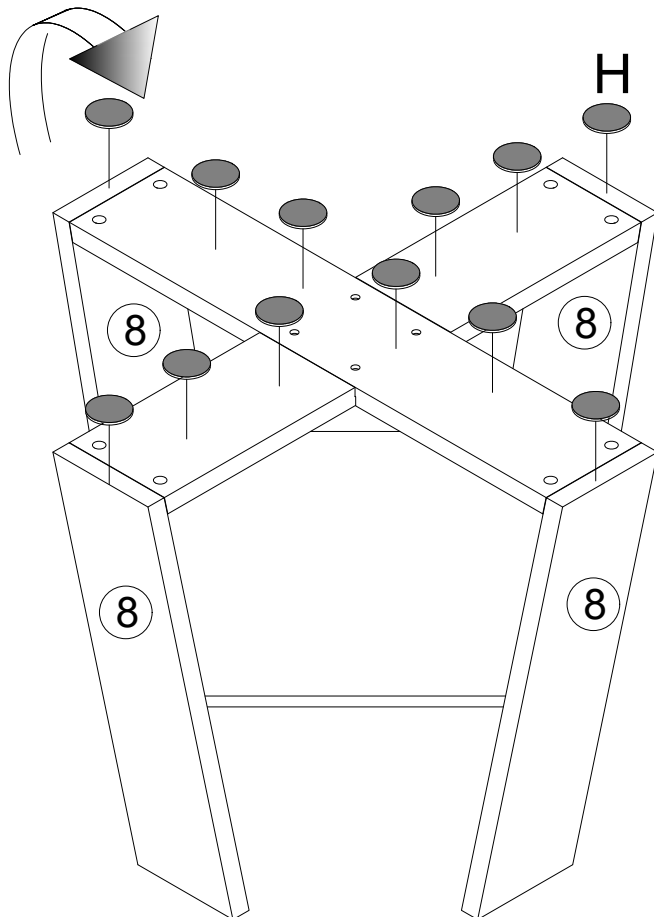
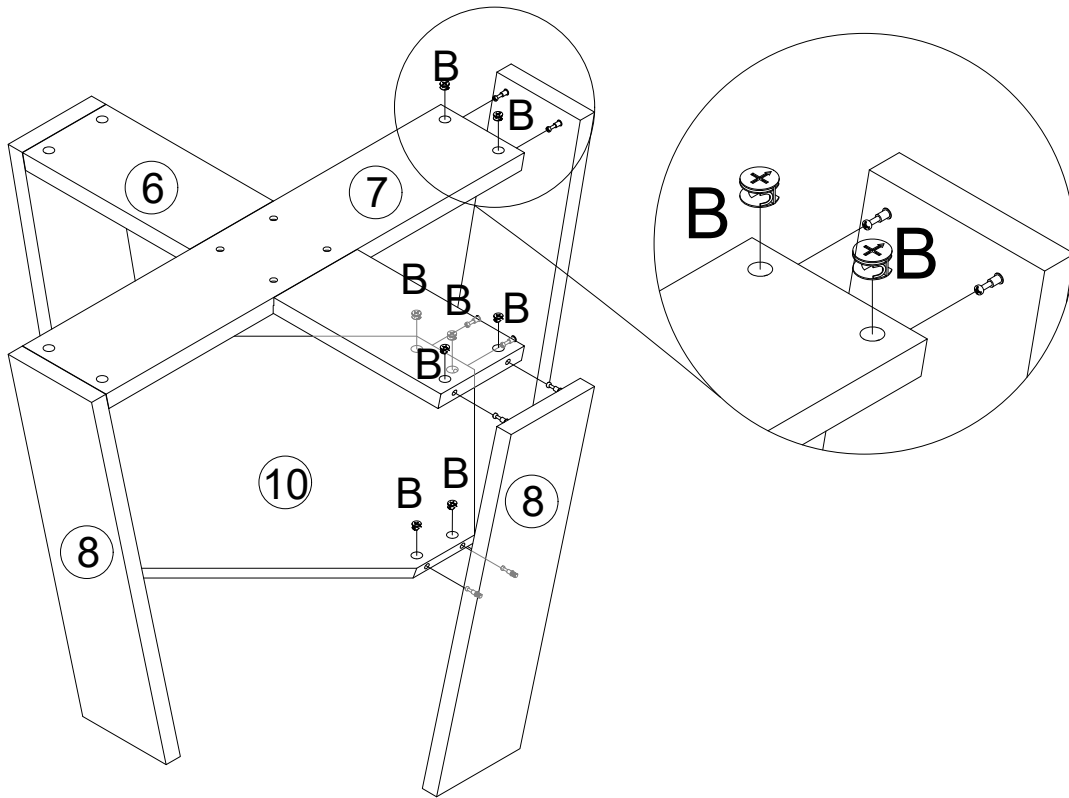
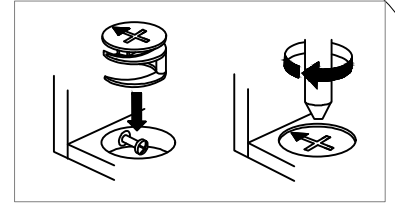
Step 2


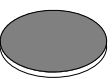


B		X8
K		X4

Assembly Instructions

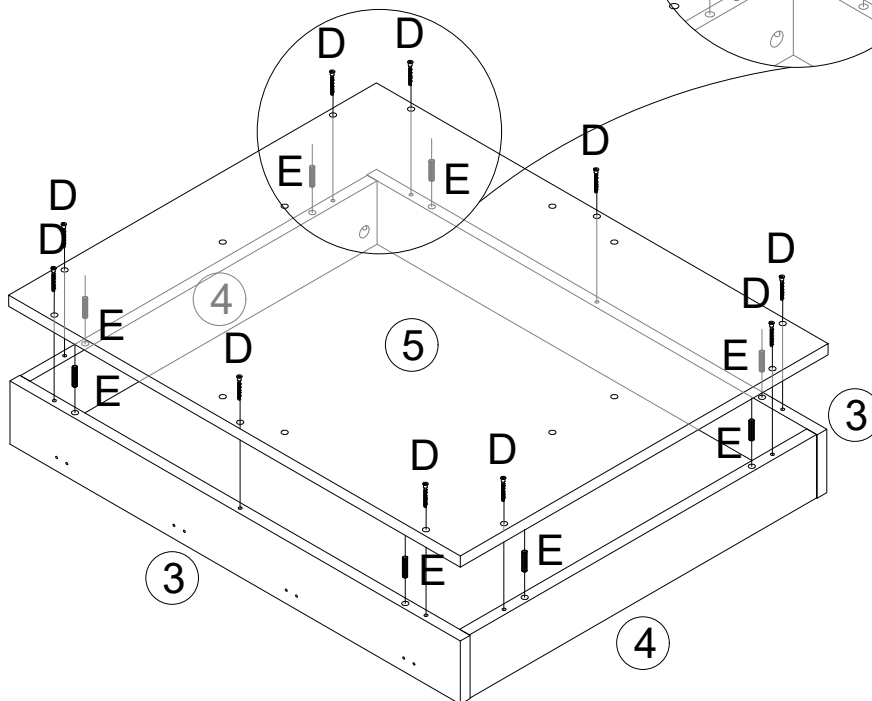
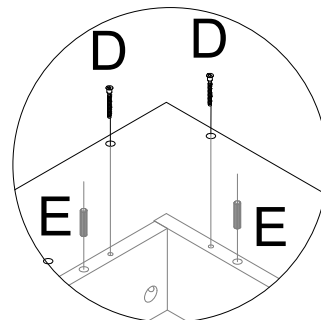
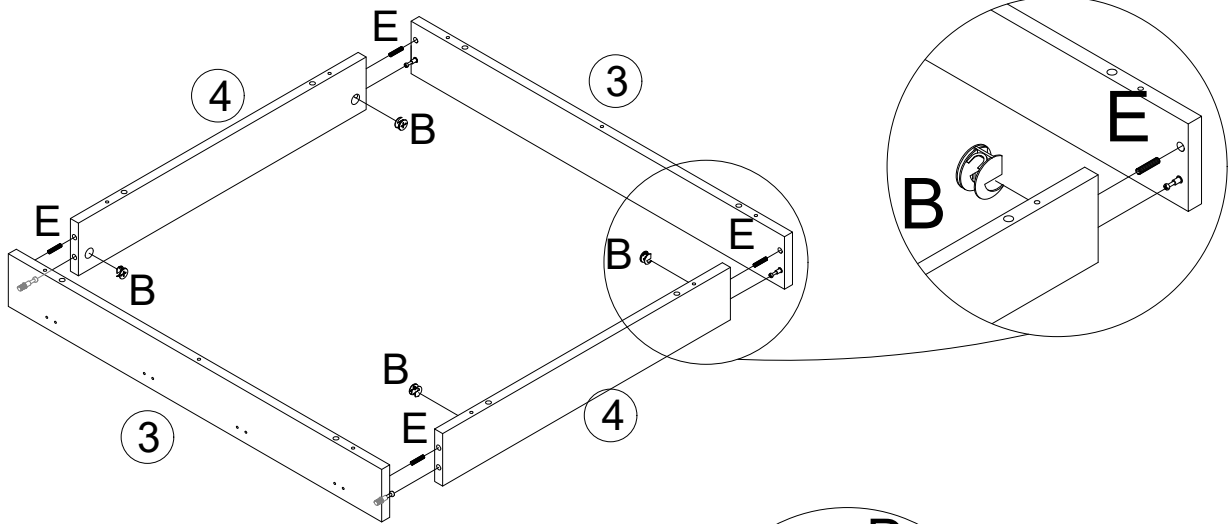
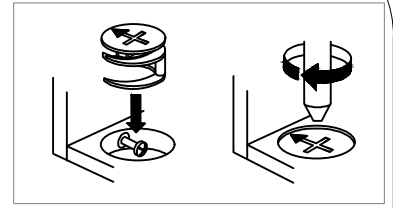
Step 3



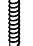


B		X8
H		X12

Assembly Instructions

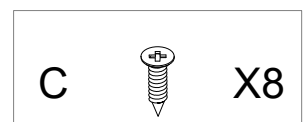
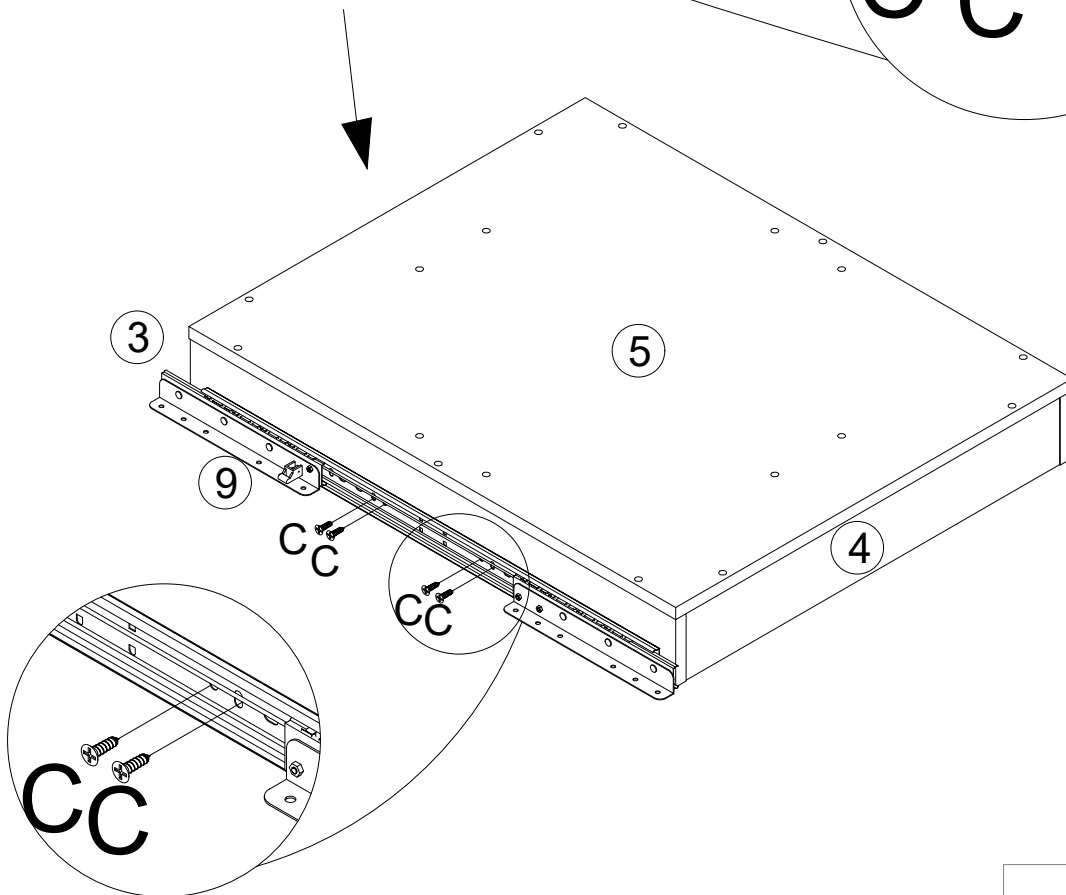
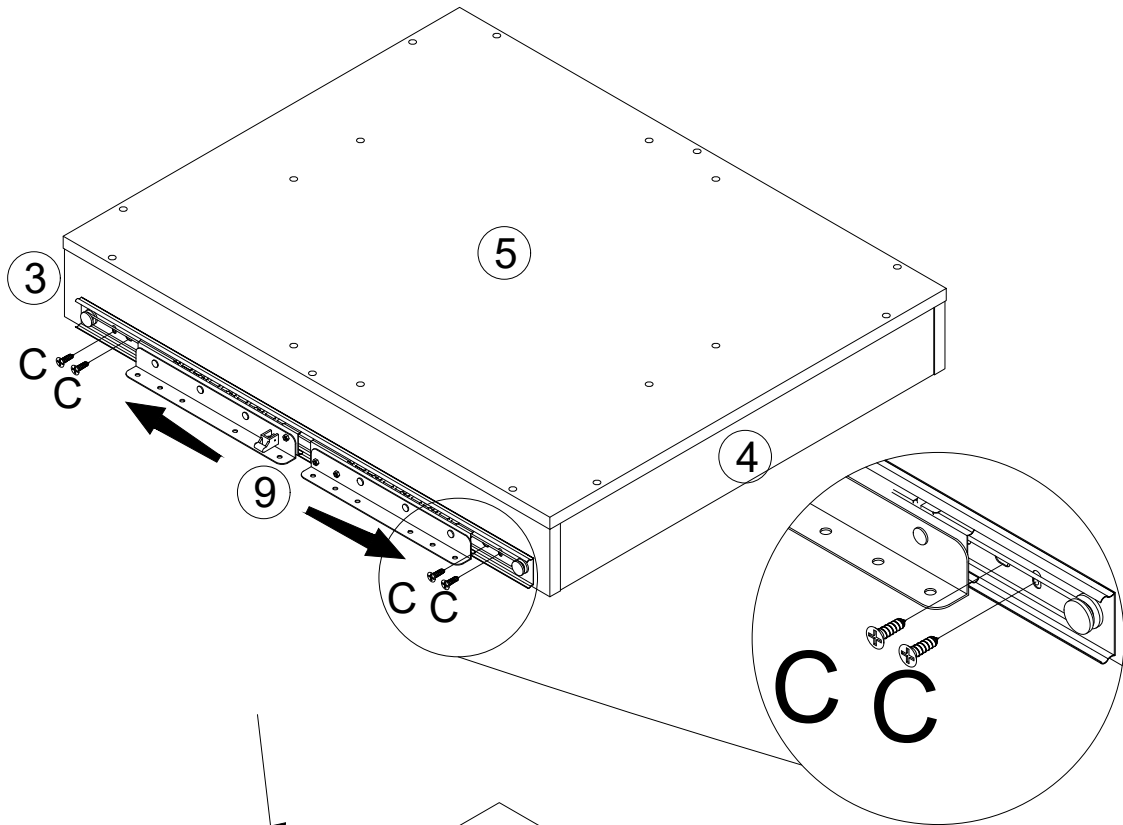
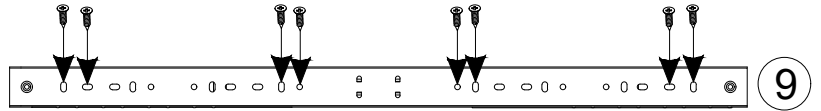
Step 4



B		X4
D		X10
E		X12

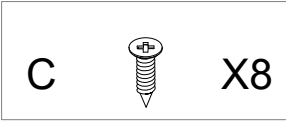
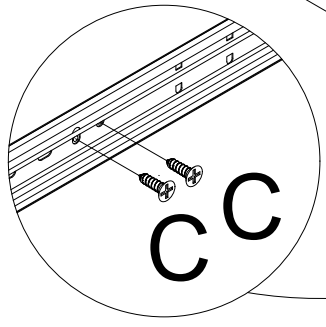
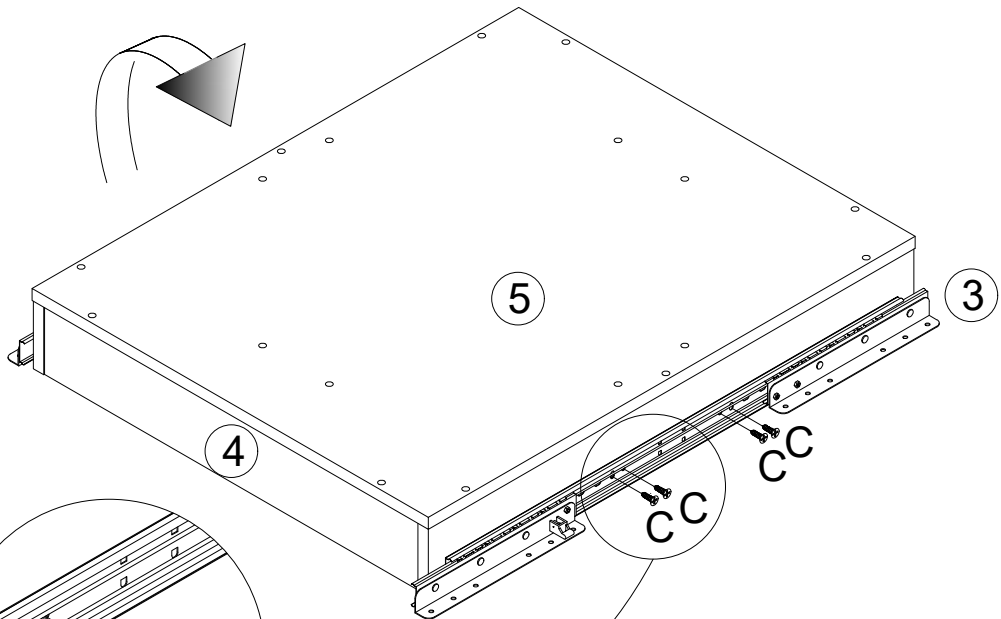
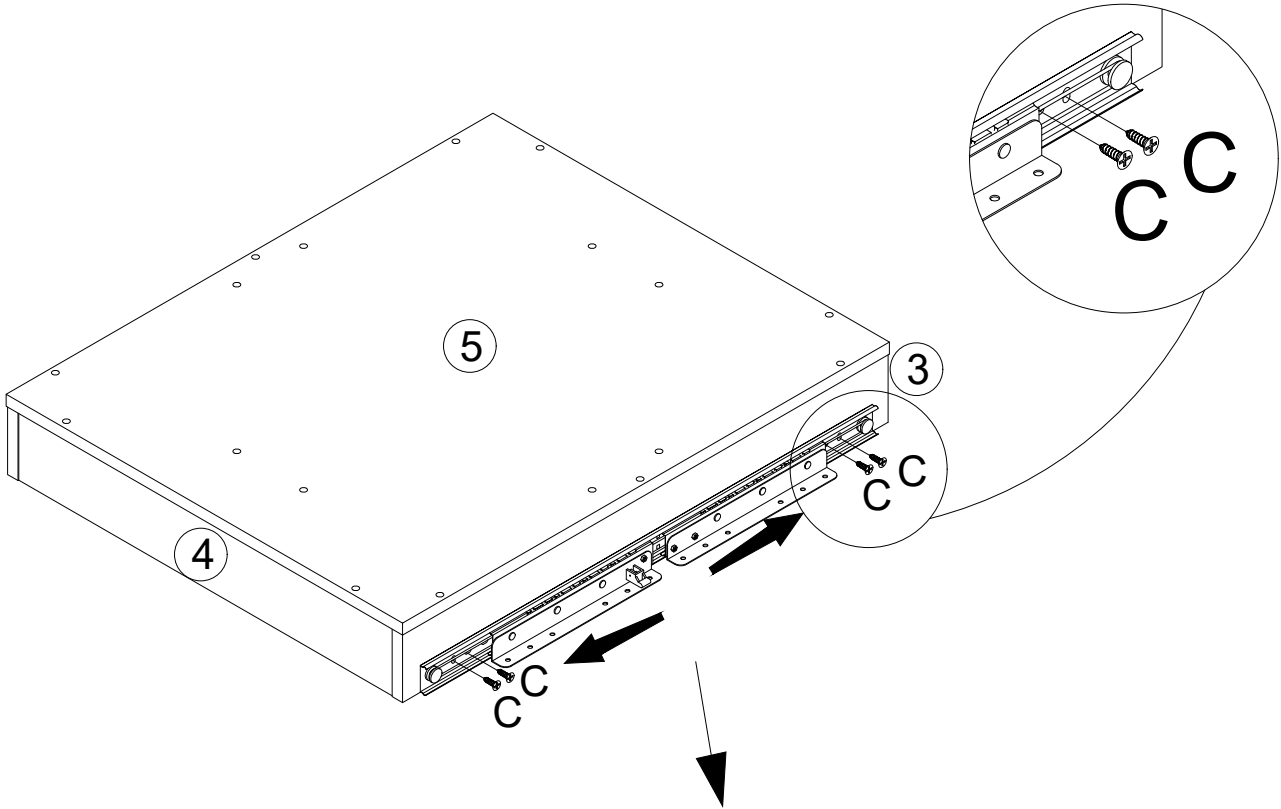
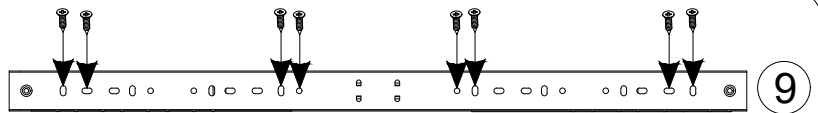
Assembly Instructions

Step 5



Assembly Instructions

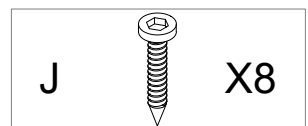
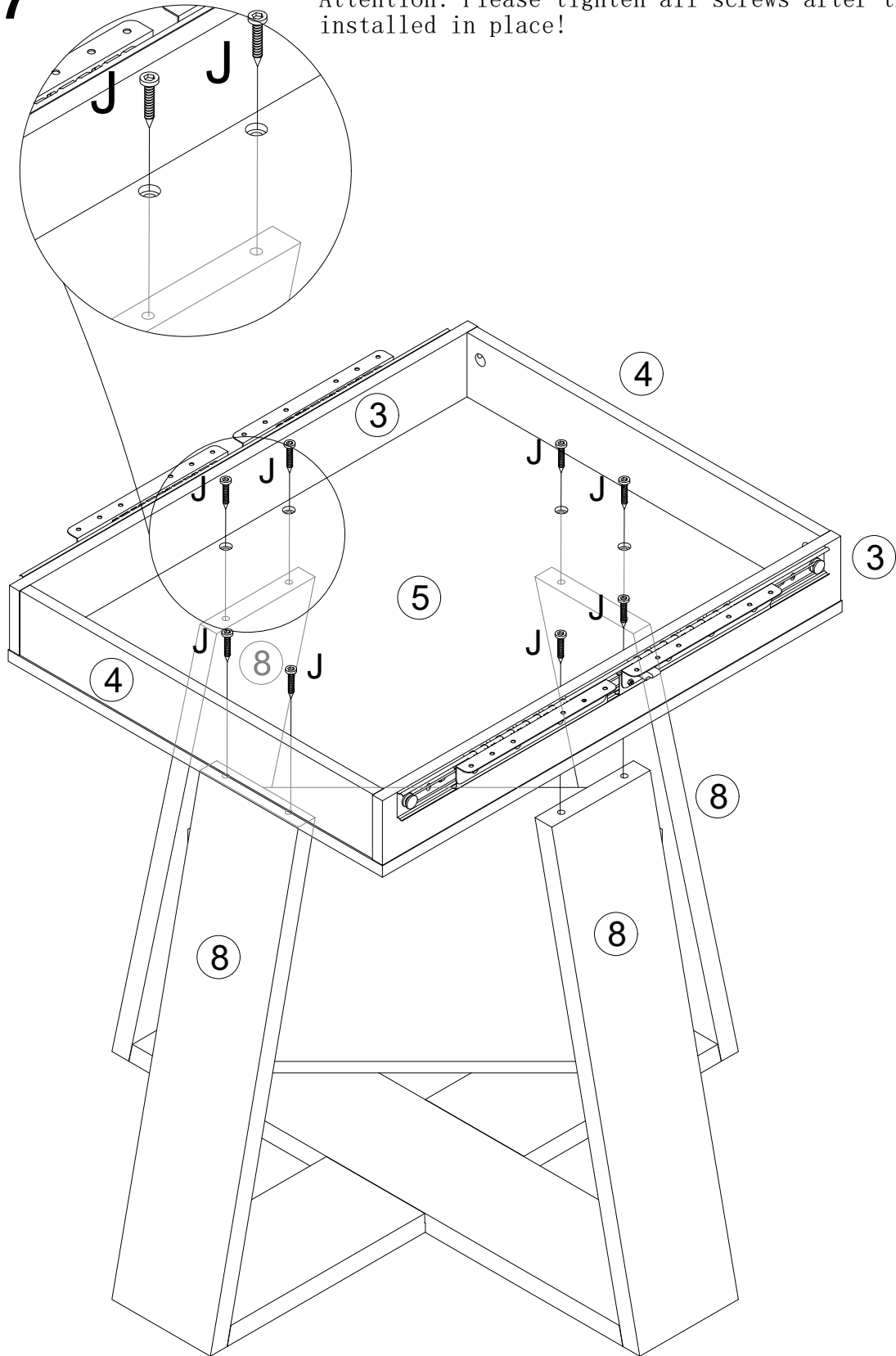
Step 6



Assembly Instructions

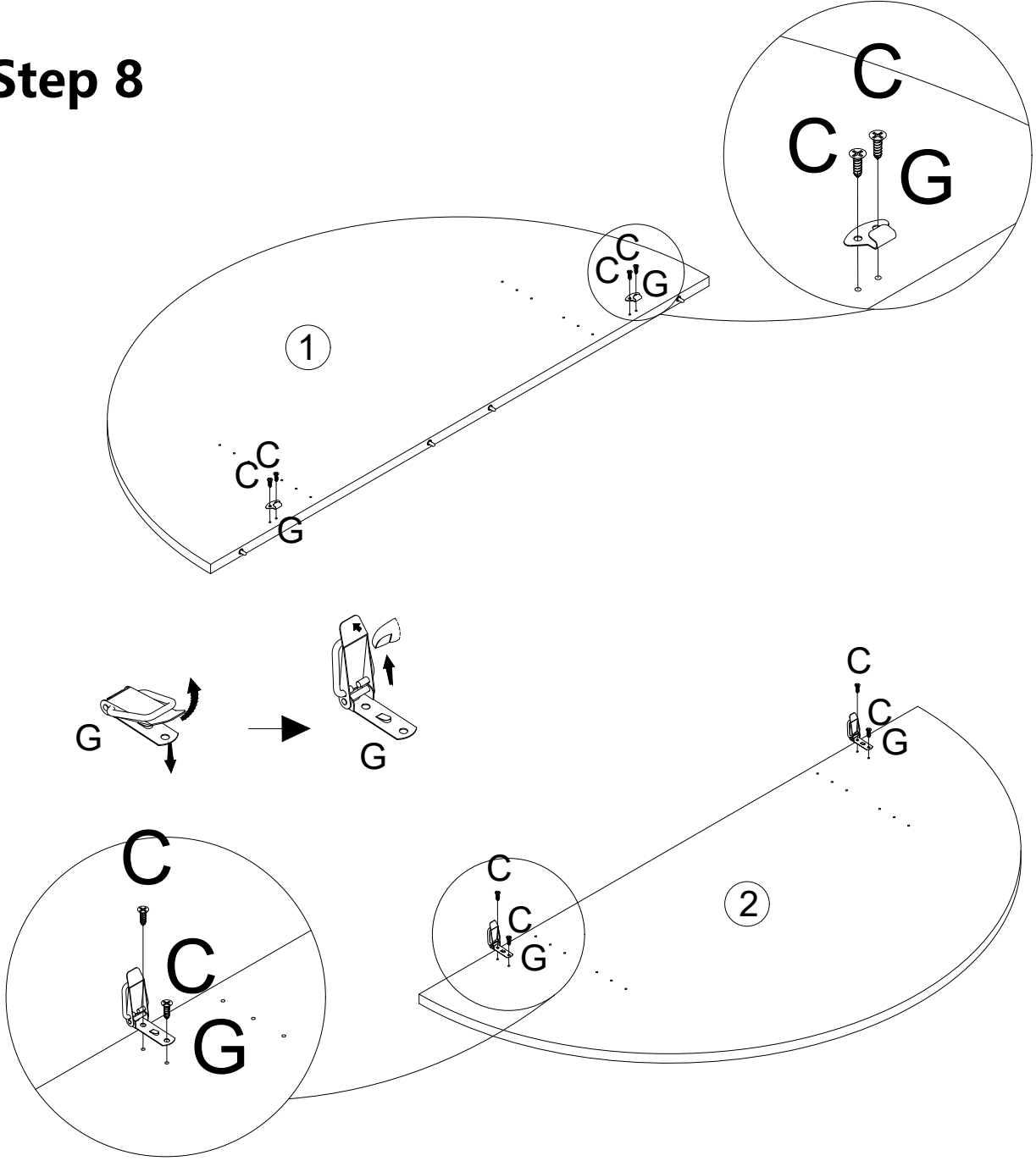
Step 7



Attention: Please tighten all screws after they are installed in place!



Assembly Instructions

Step 8

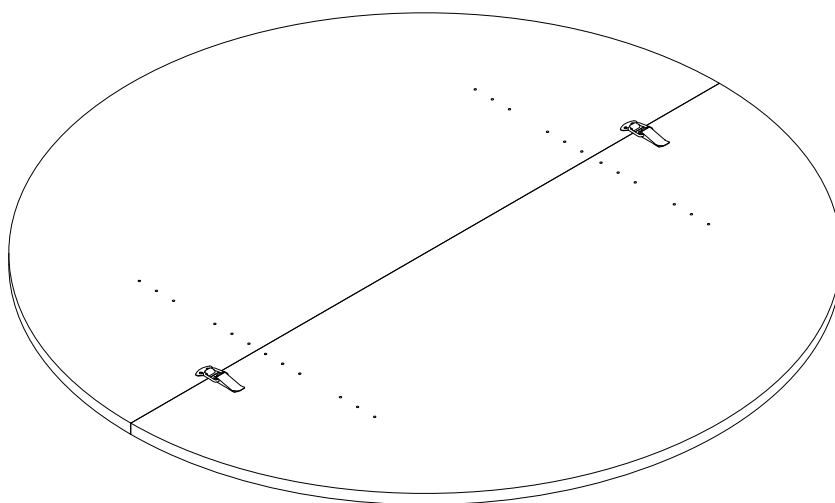
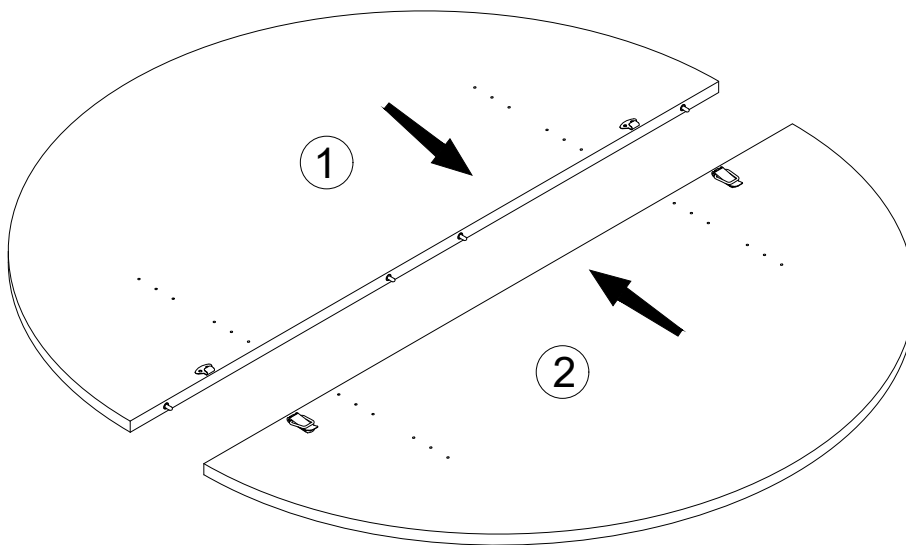
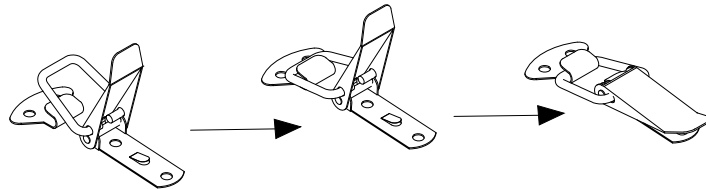


C		X8
G		X2

Assembly Instructions

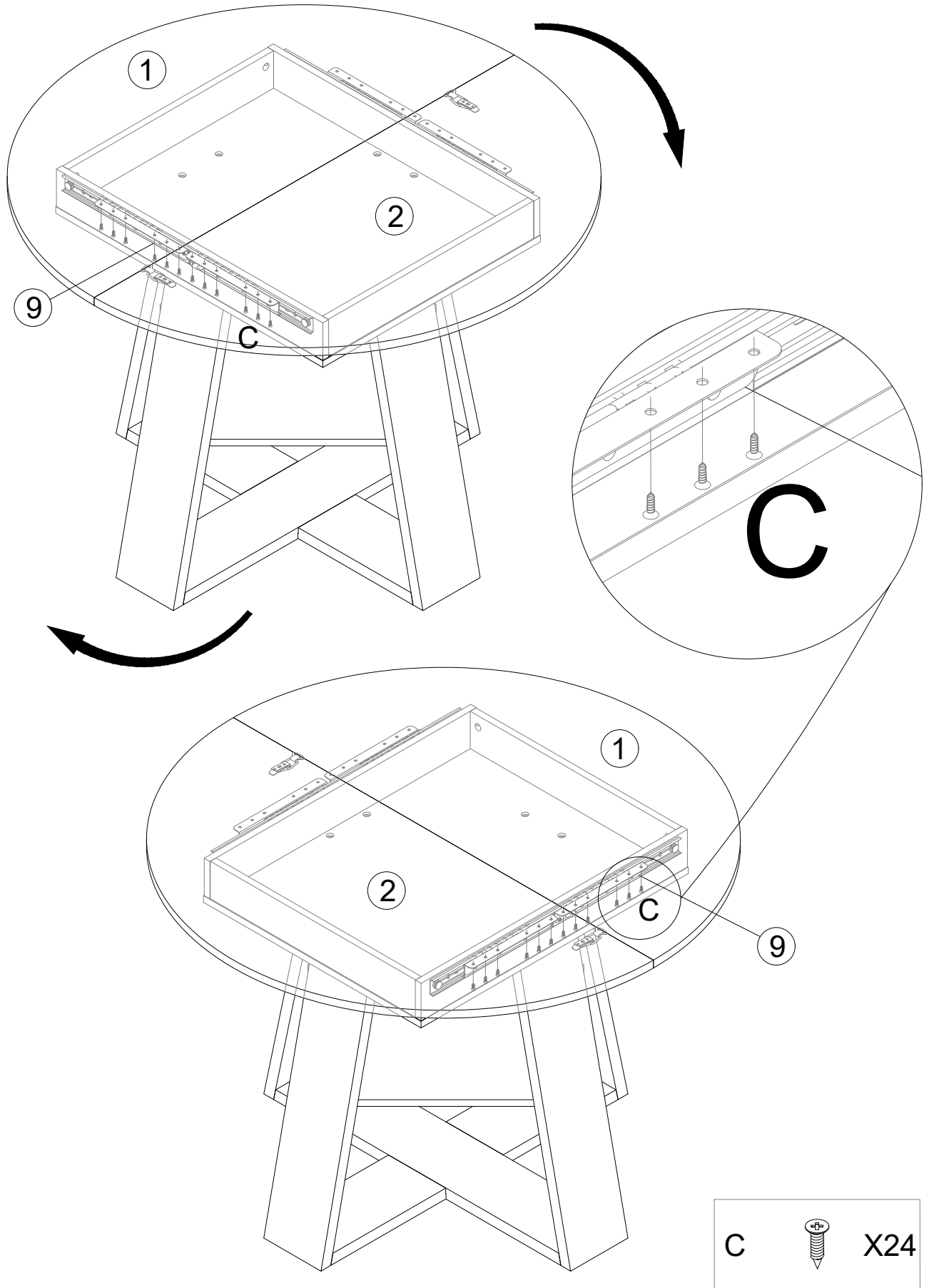
Step 9

Attention: Please lock this accessory before turning the table upside down.



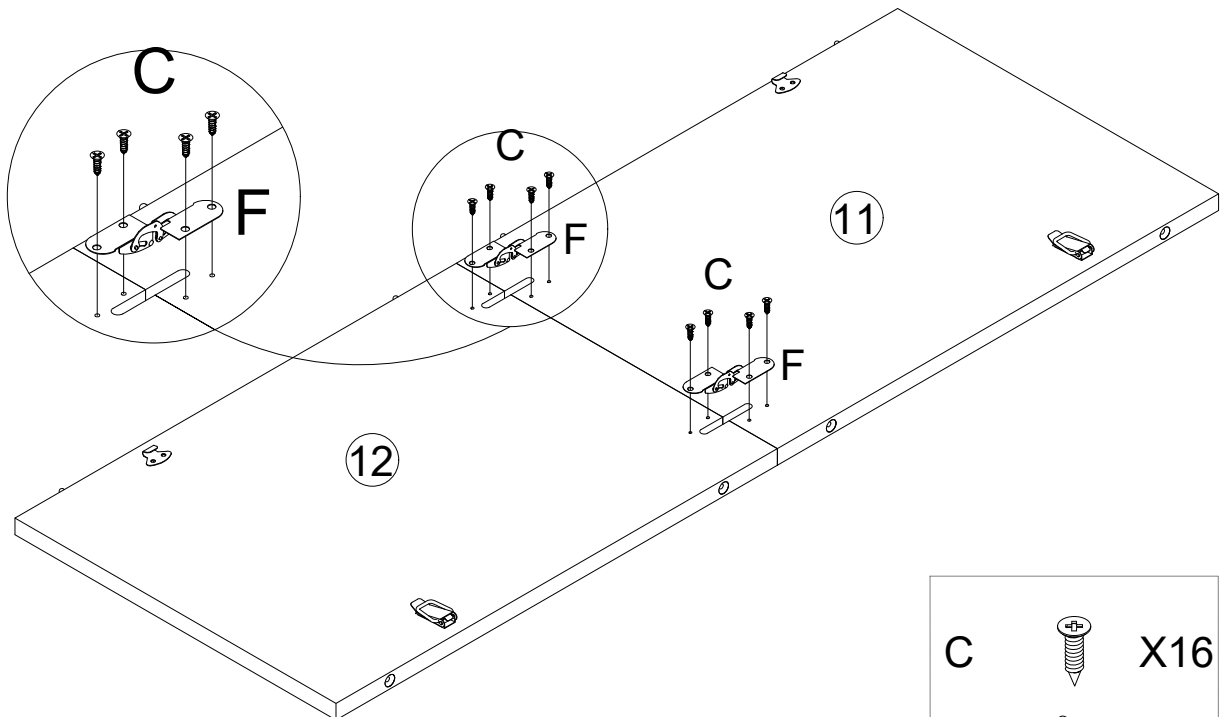
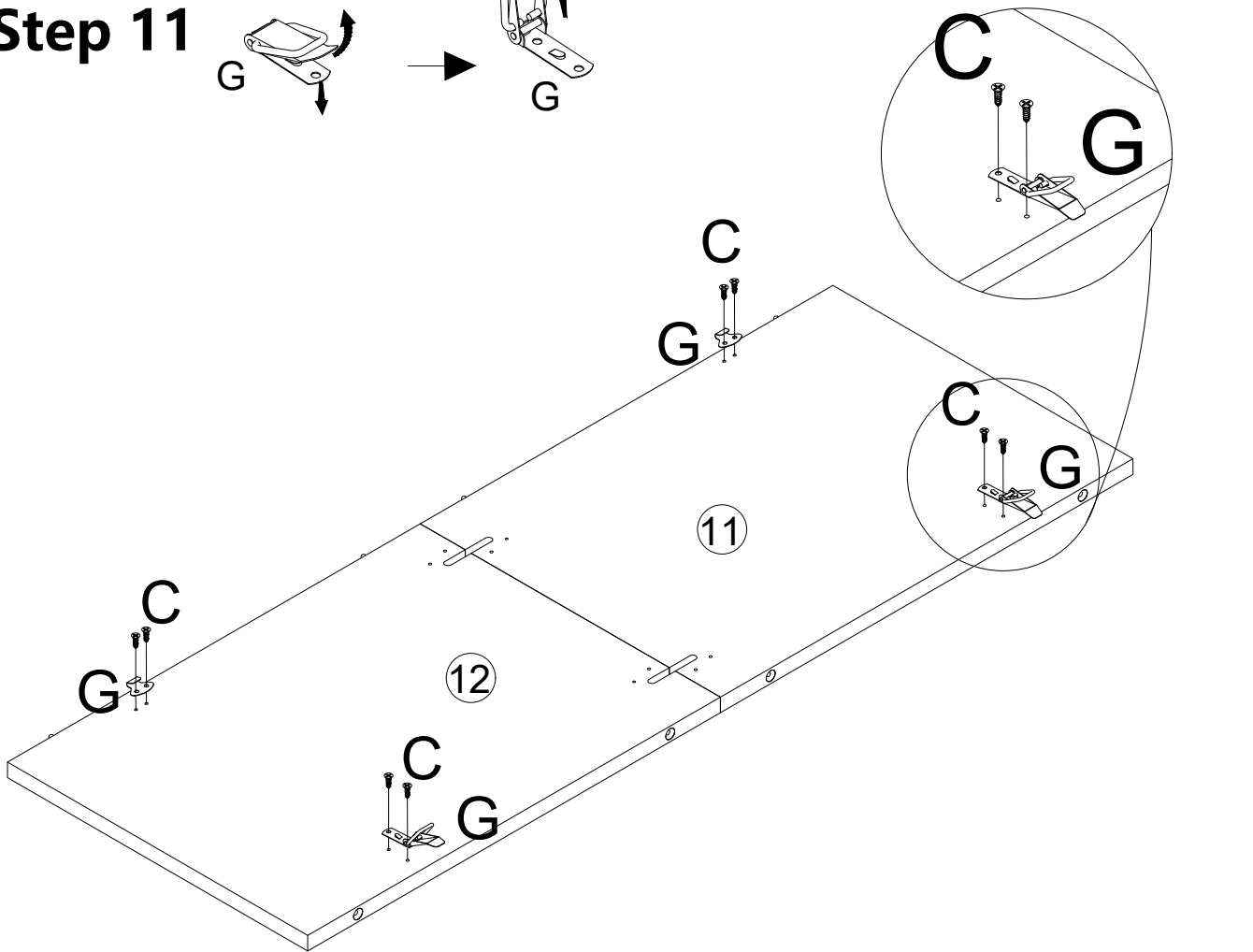
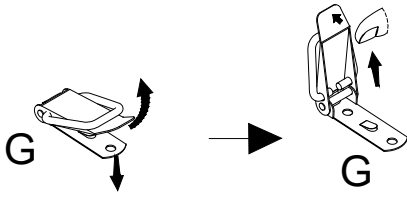
Assembly Instructions




Step 10



Assembly Instructions

Step 11

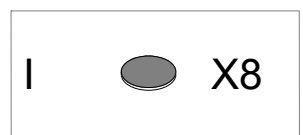
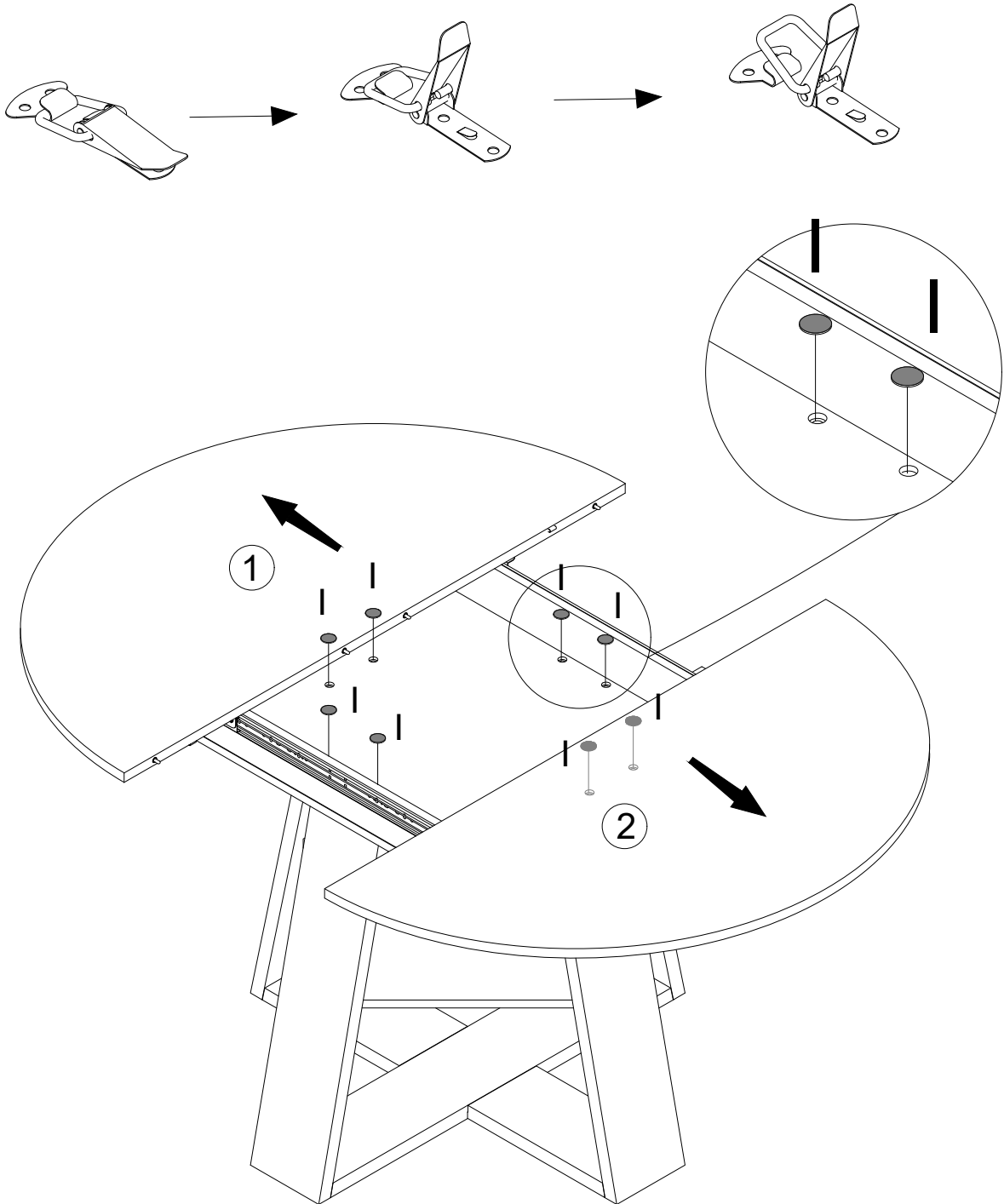


C		X16
G		X2
F		X2

Assembly Instructions

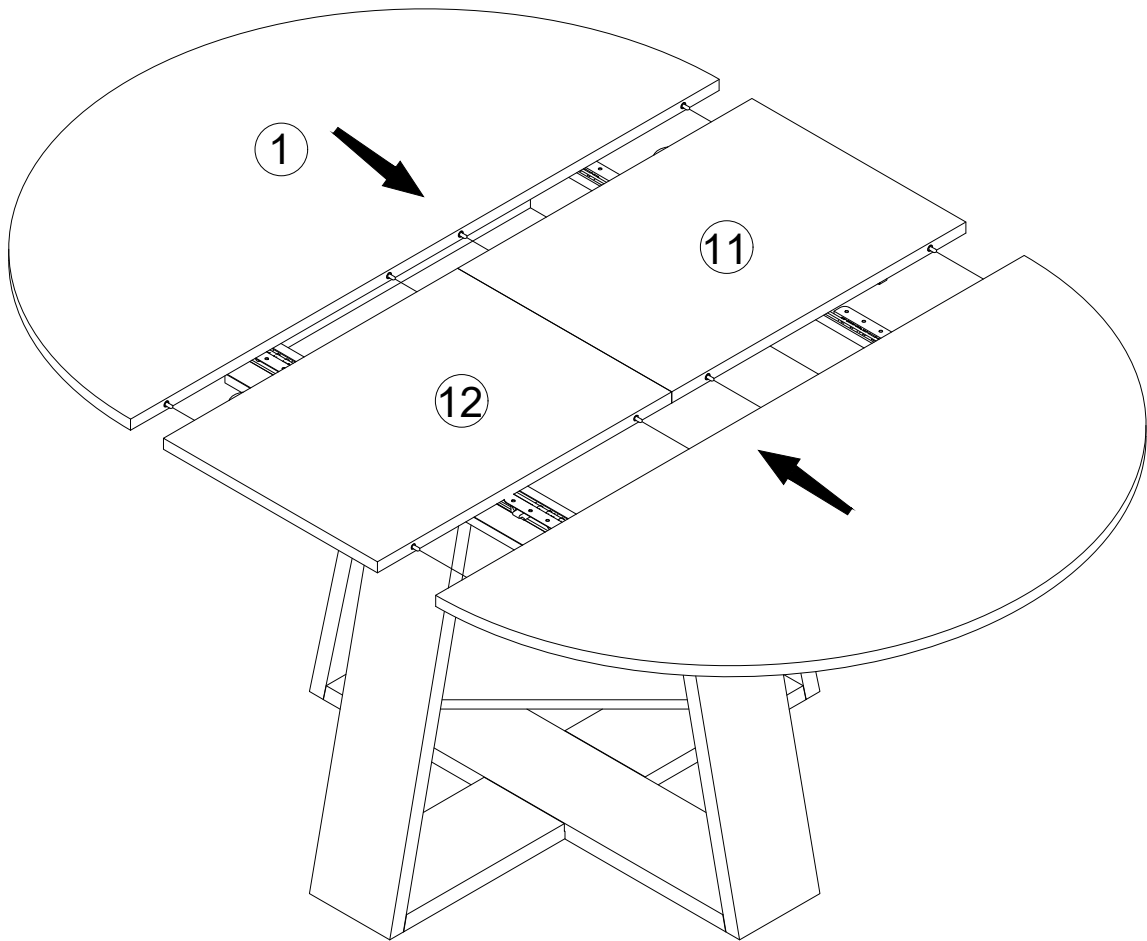
Step 12

Attention: Please open this accessory before pulling apart the desktop



Assembly Instructions

Step 13

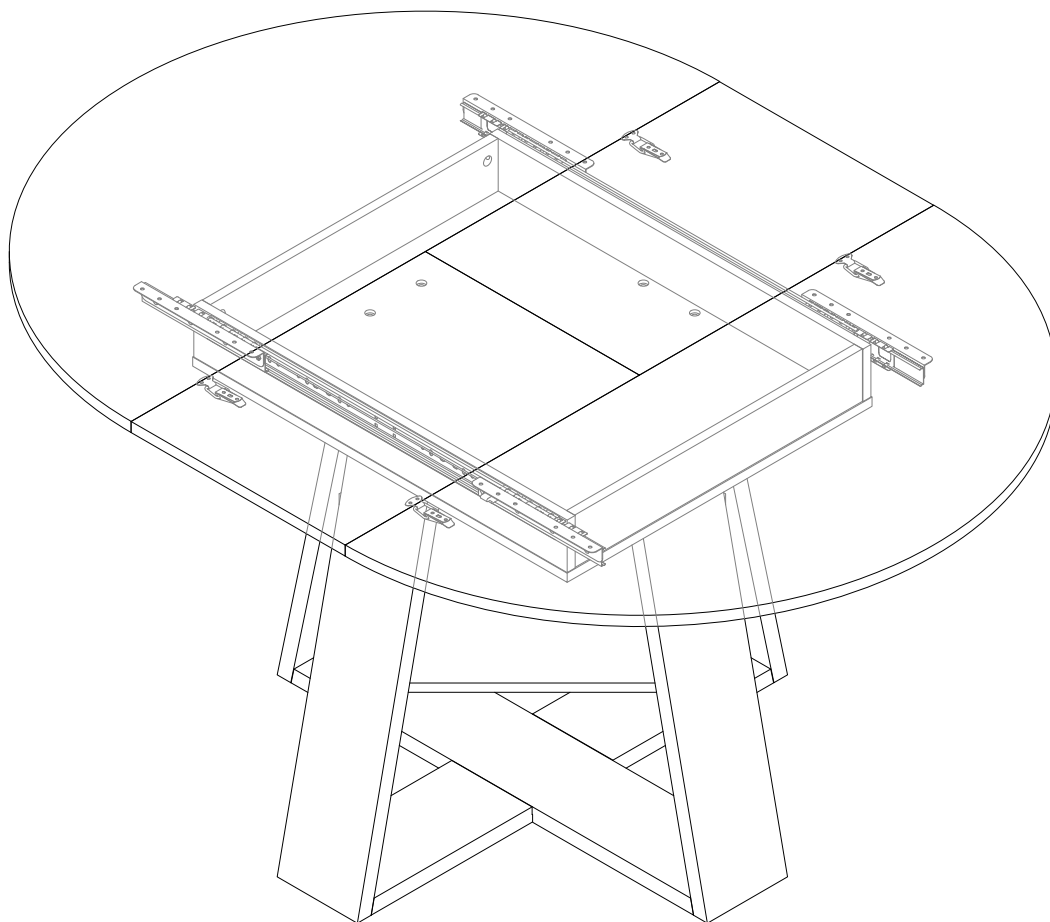
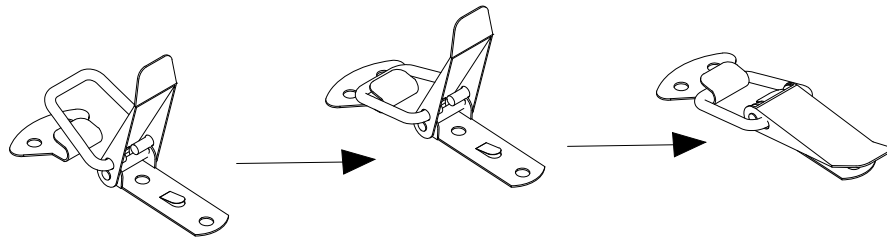


Assembly Instructions

Step 14

Method 1

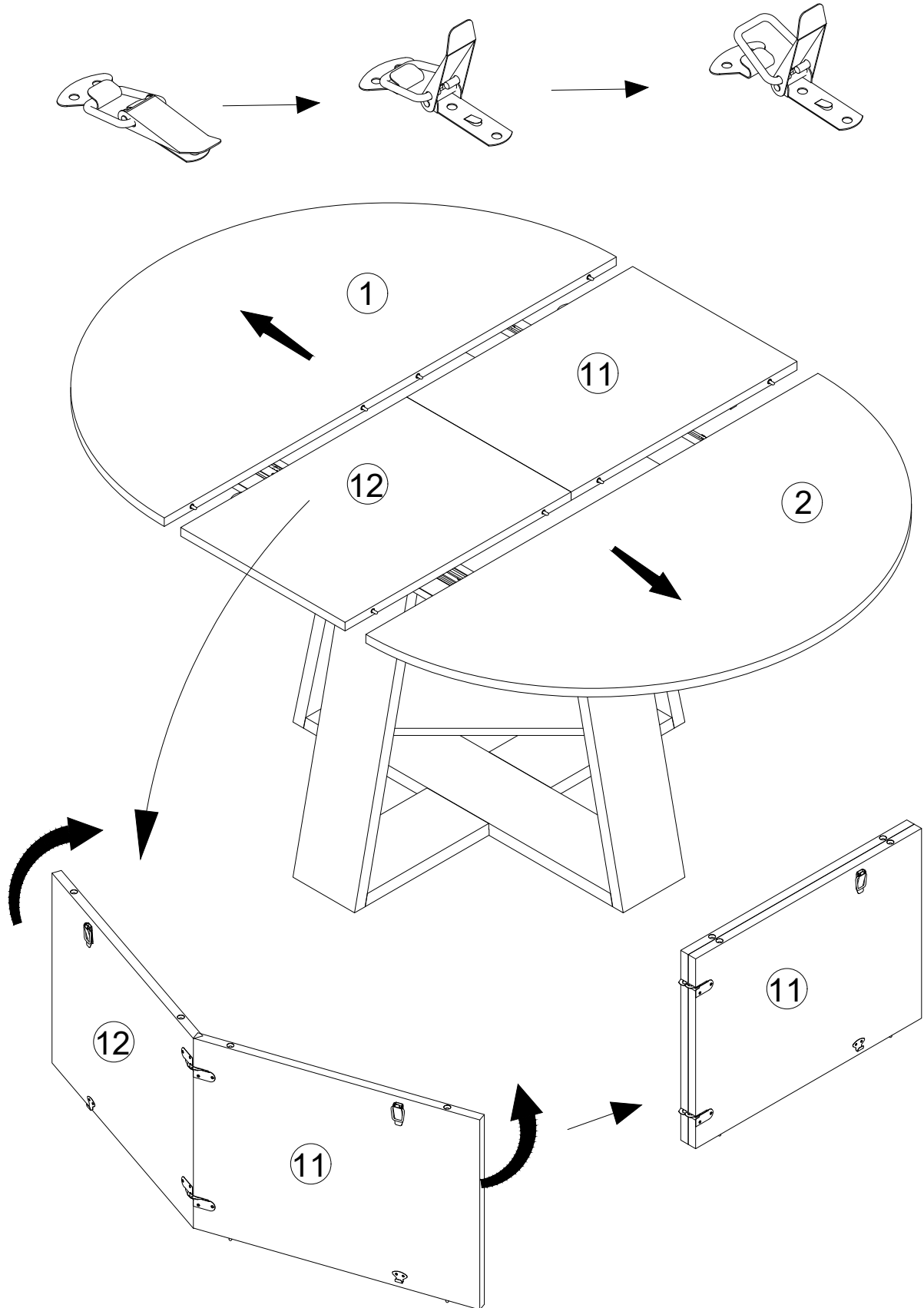
Attention: Please lock this accessory after installation is complete



Assembly Instructions

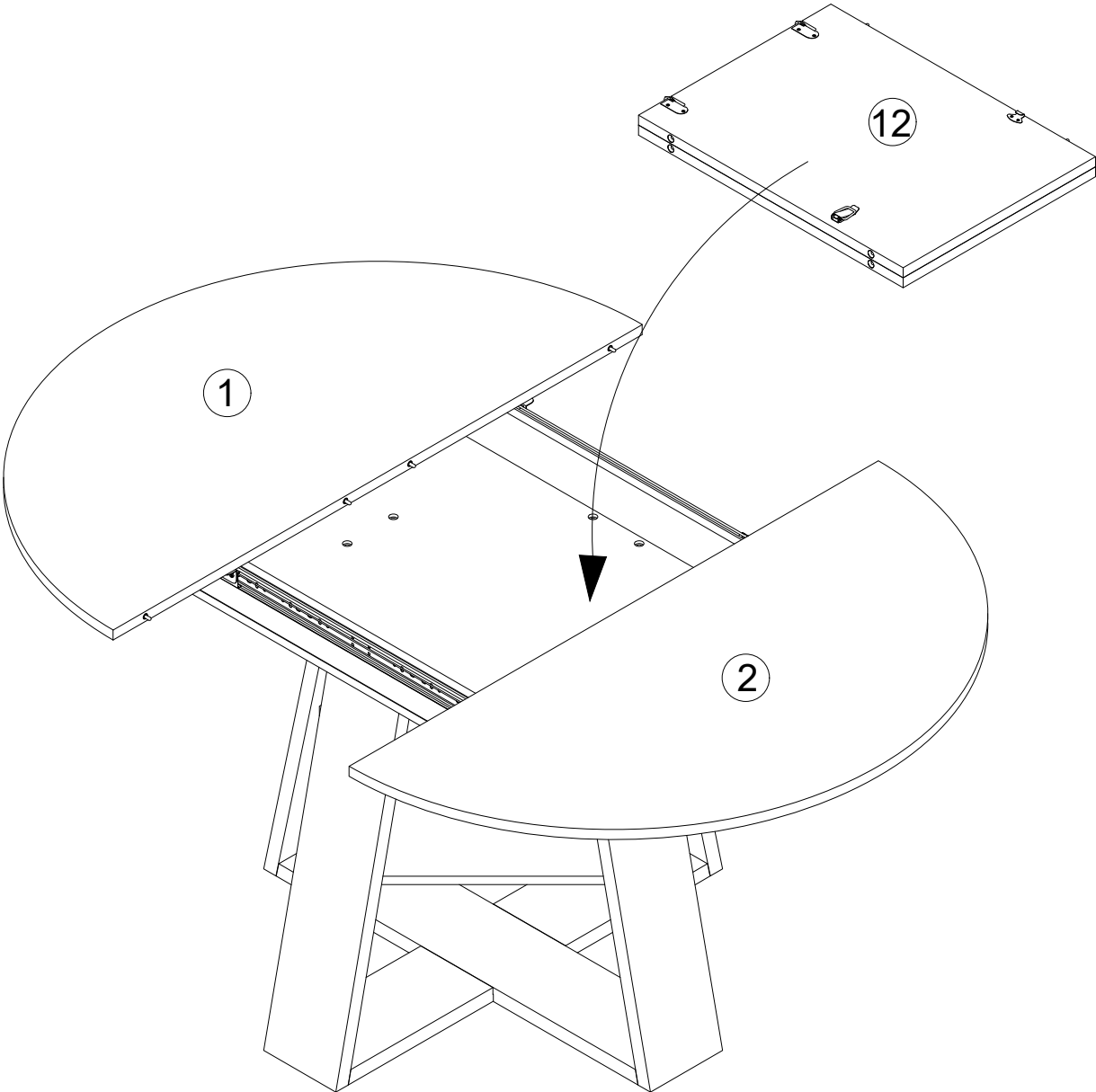
Step 15

Attention: Please open this accessory before pulling apart the desktop



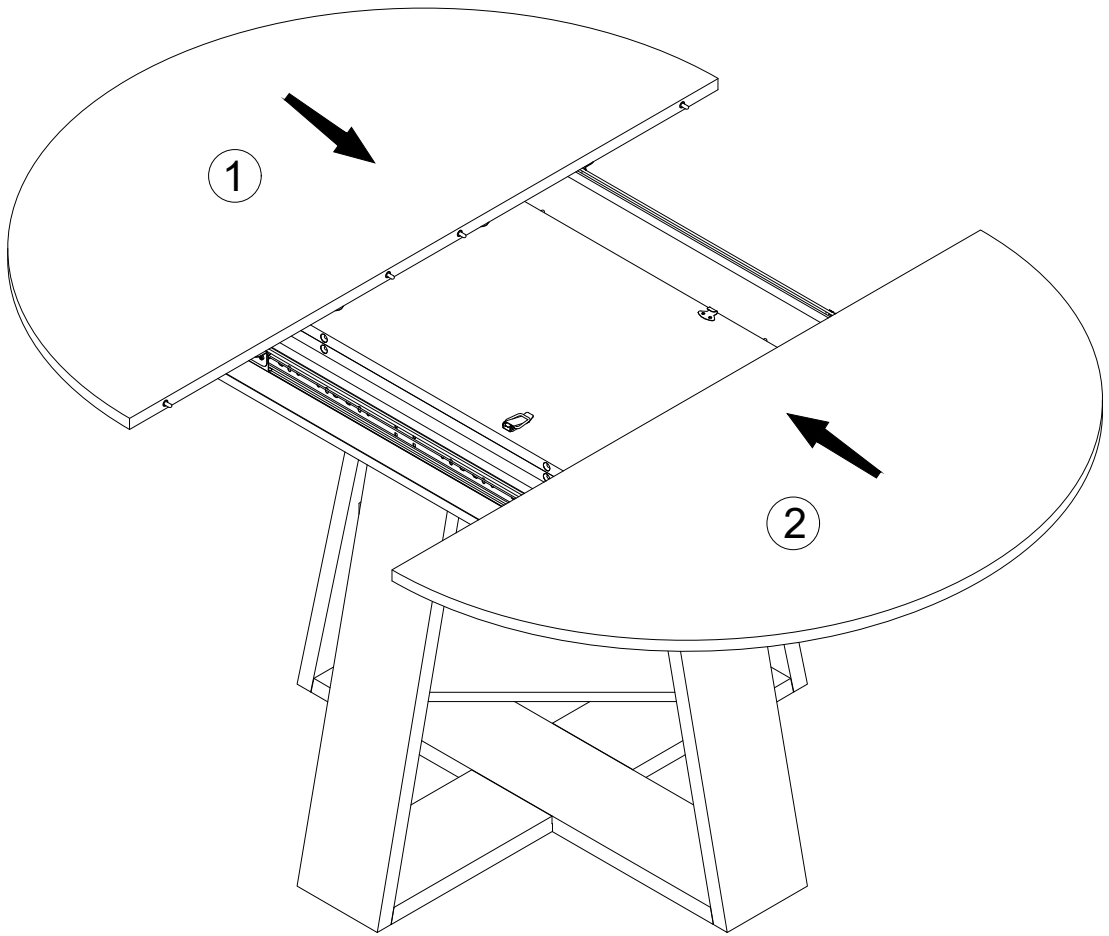
Assembly Instructions

Step 16



Assembly Instructions

Step 17



Assembly Instructions

Step 18

Method 2

Attention: Please lock this accessory after installation is complete

