

Installation instruction



PARTS LIST:

(A) x2pc



Hexagon socket
mechanical screw
(M6*25mm)

(B) x2pc



Hexagon socket
mechanical screw
(M6*35mm)

(C) x4pc



washer

(D) x1pc



Self-tapping
screws
(M4*35mm)

(E) x1pc



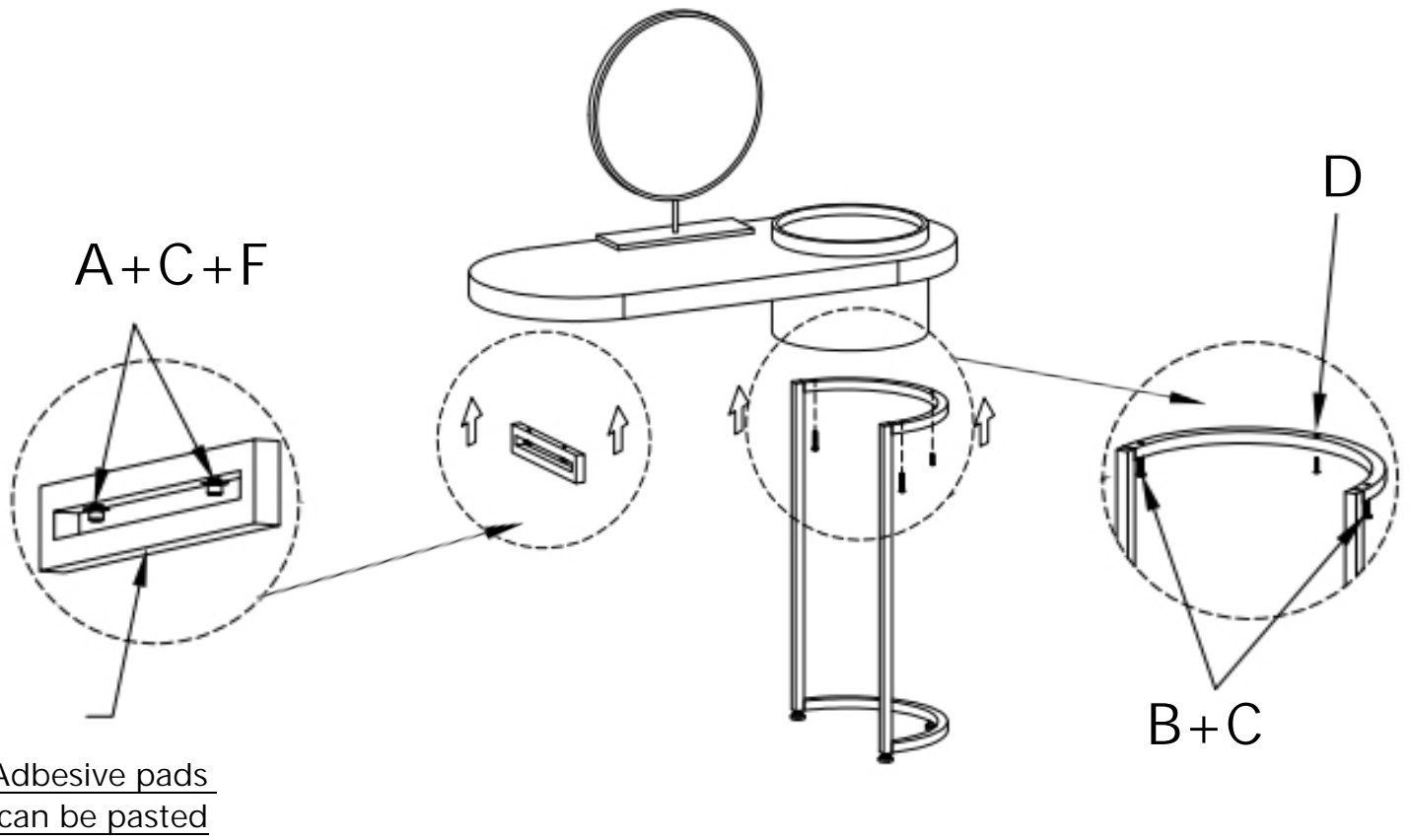
Wrench

(F) x2pc

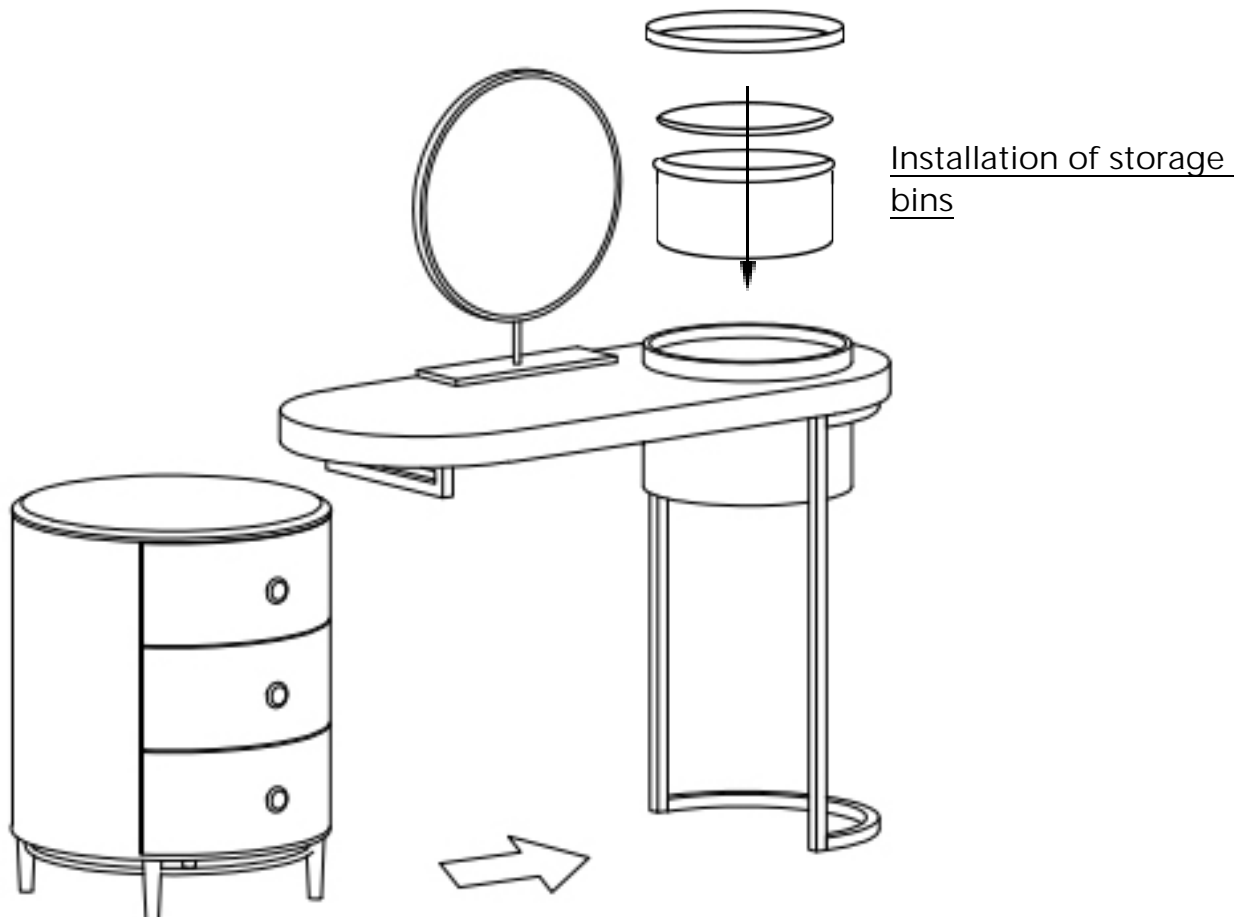


Transparant
adhesive pads

STEP 1: Hardware stand and desktop installation



STEP 2: Put the dresser under the dresser



STEP 3: The installation is complete



Notice:

Thank you for purchasing this quality product. Be sure to check all the packing material carefully for small parts, which may have come loose inside the carton during shipment. Identify and count all parts and compare with Part List on Page 1.