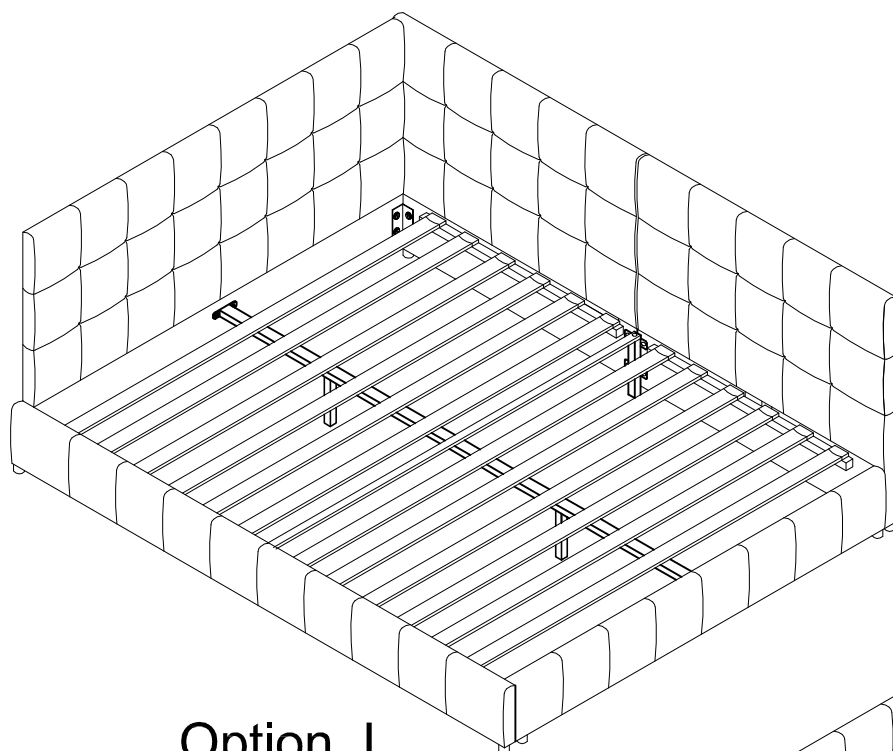
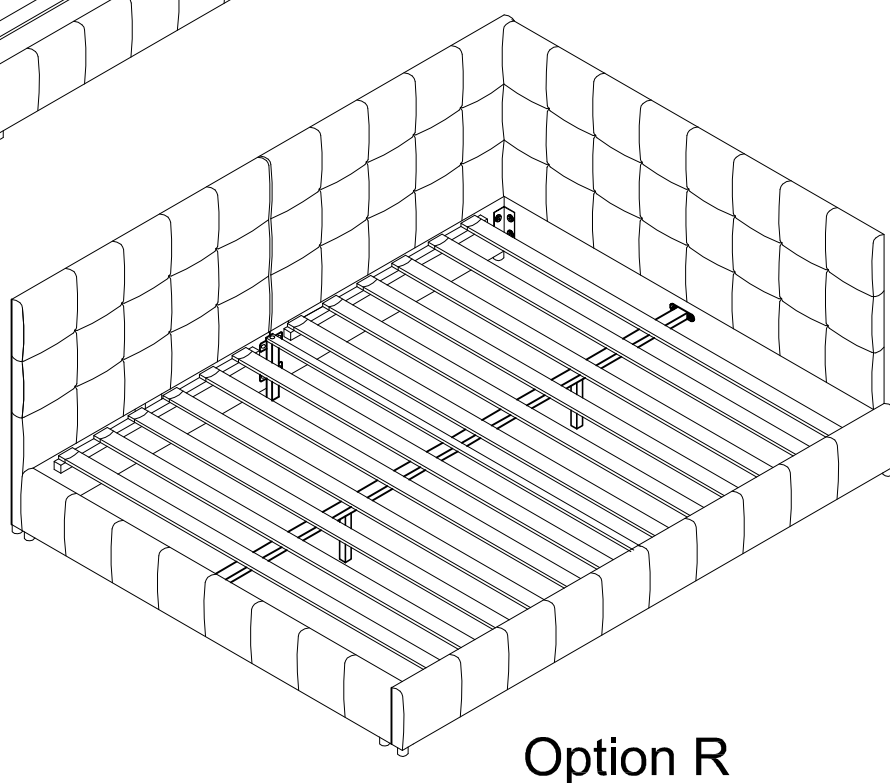


# ASSEMBLY INSTRUCTIONS



Option L

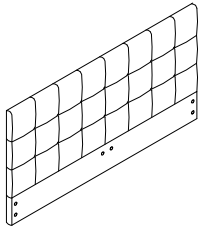


Option R

Set up the bed according to the needs of the room to choose the direction. Option L & Option R

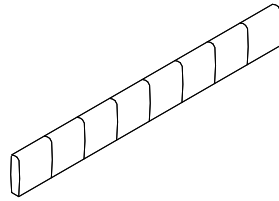
# PARTS AND HARDWARE

① Headboard



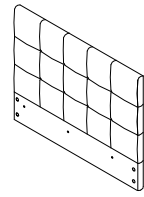
1PC

② Footboard



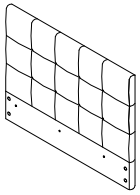
1PC

③ Side rail -1



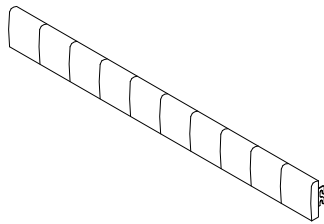
1PC

④ Side rail -2



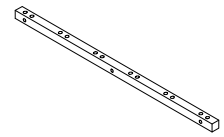
1PC

⑤ Side rail-3



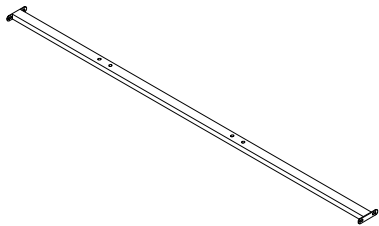
1PC

⑥ SR Support Rail



2PCS

⑦ Center support rail



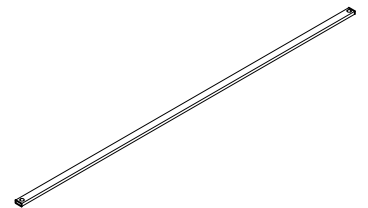
1PC

⑧ Support Leg



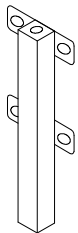
2PCS

⑨ Center cross bar



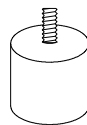
1PC

⑩ Side Rail Feet



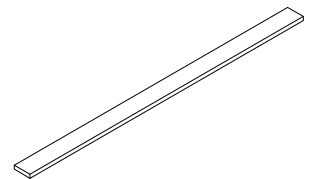
1PC

⑪ Leg



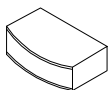
8PCS

⑫ Slat



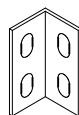
12PCS

⑬ Single Sided Plastic cap



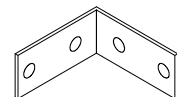
24PCS

⑭



4PCS

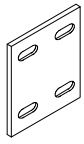
⑮



1PC

# PARTS AND HARDWARE

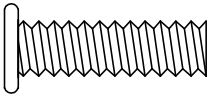
16



2PCS

## HARDWARE LIST:

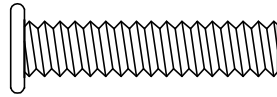
A



m8\*30mm

37PCS

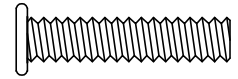
B



m8\*45mm

4PCS

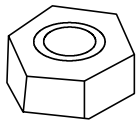
C



m6\*50mm

6PCS

D



m8

4PCS

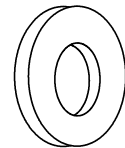
E



m8

41PCS

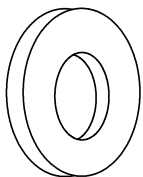
F



m8\*19mm

33PCS

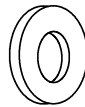
G



m8\*22mm

8PCS

H



m6\*19mm

6PCS

I



m8

1PC

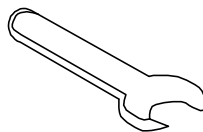
J



m6

1PC

K

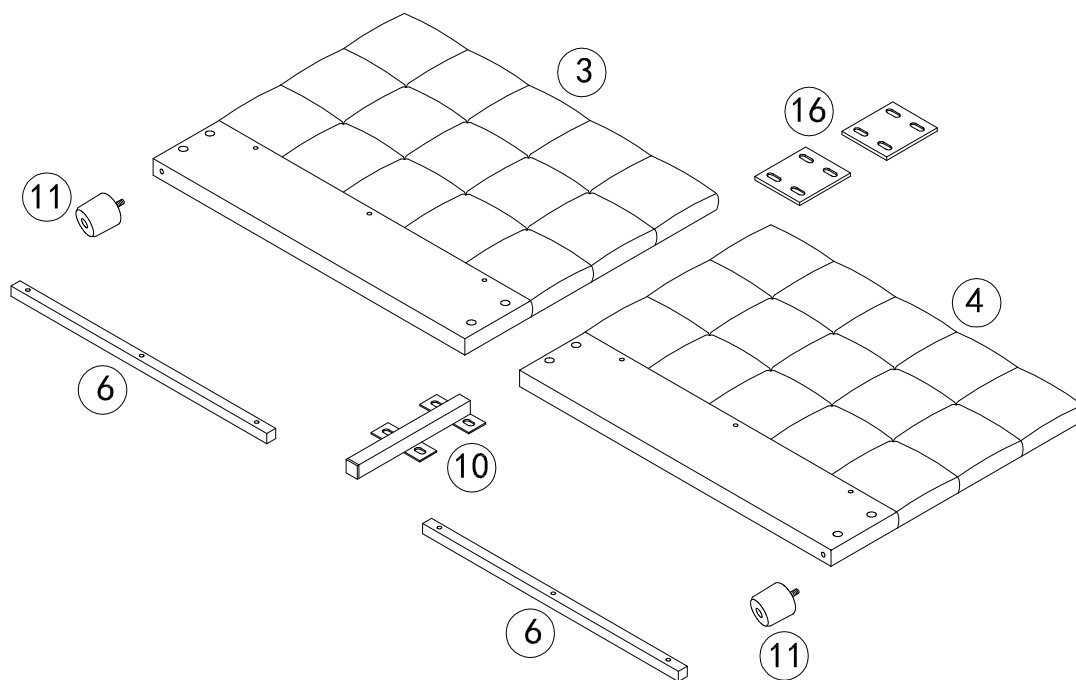


m8

1PC

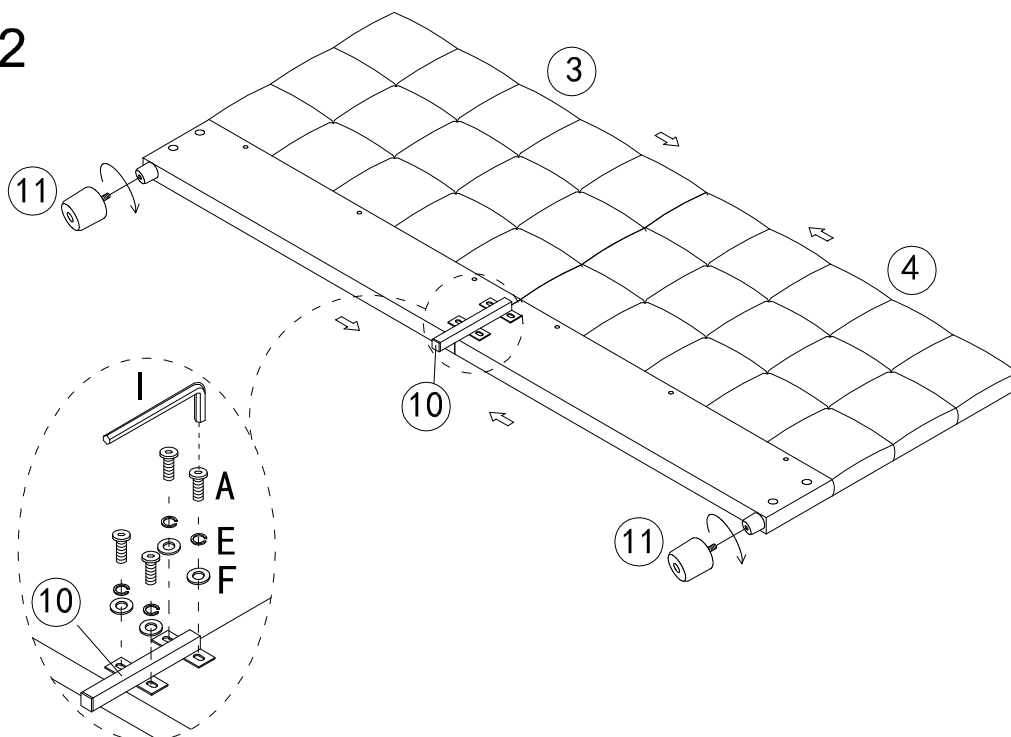
# STEP 1

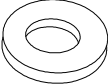
## Side Rail -1&-2







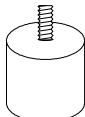
# STEP 2

## Side Rail -1&-2

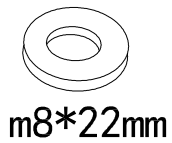
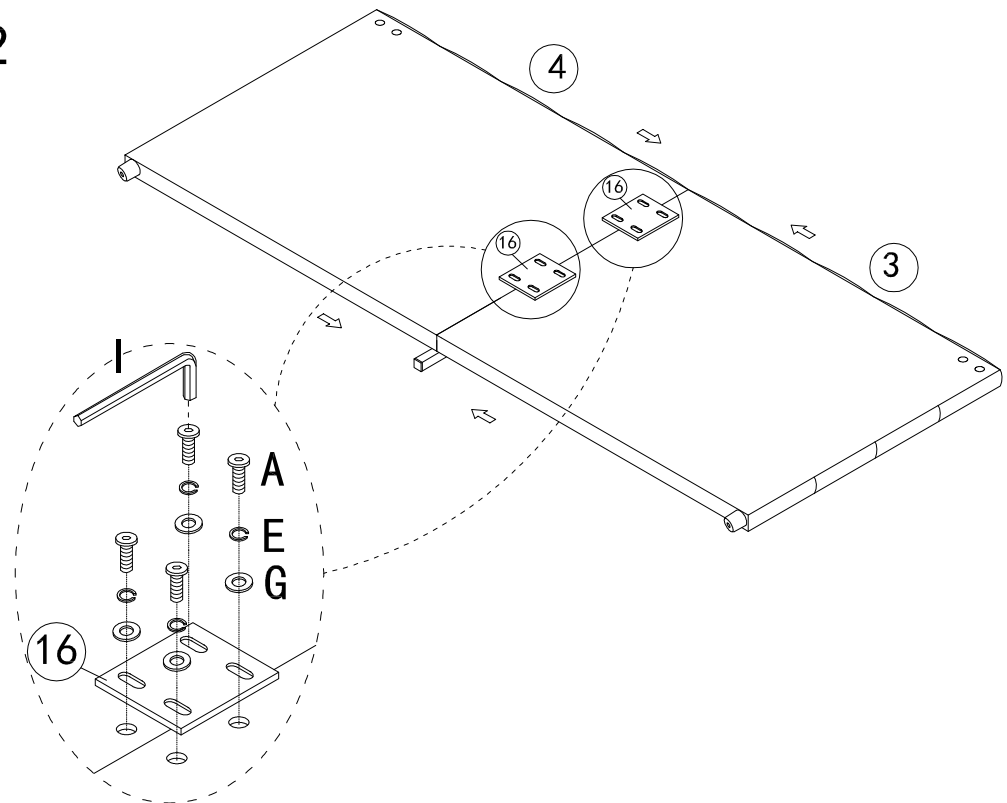






  
m8\*19mm

	A x4PCS
	F x4PCS
	E x4PCS
	I x1PC

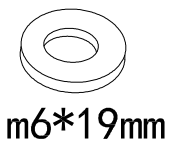
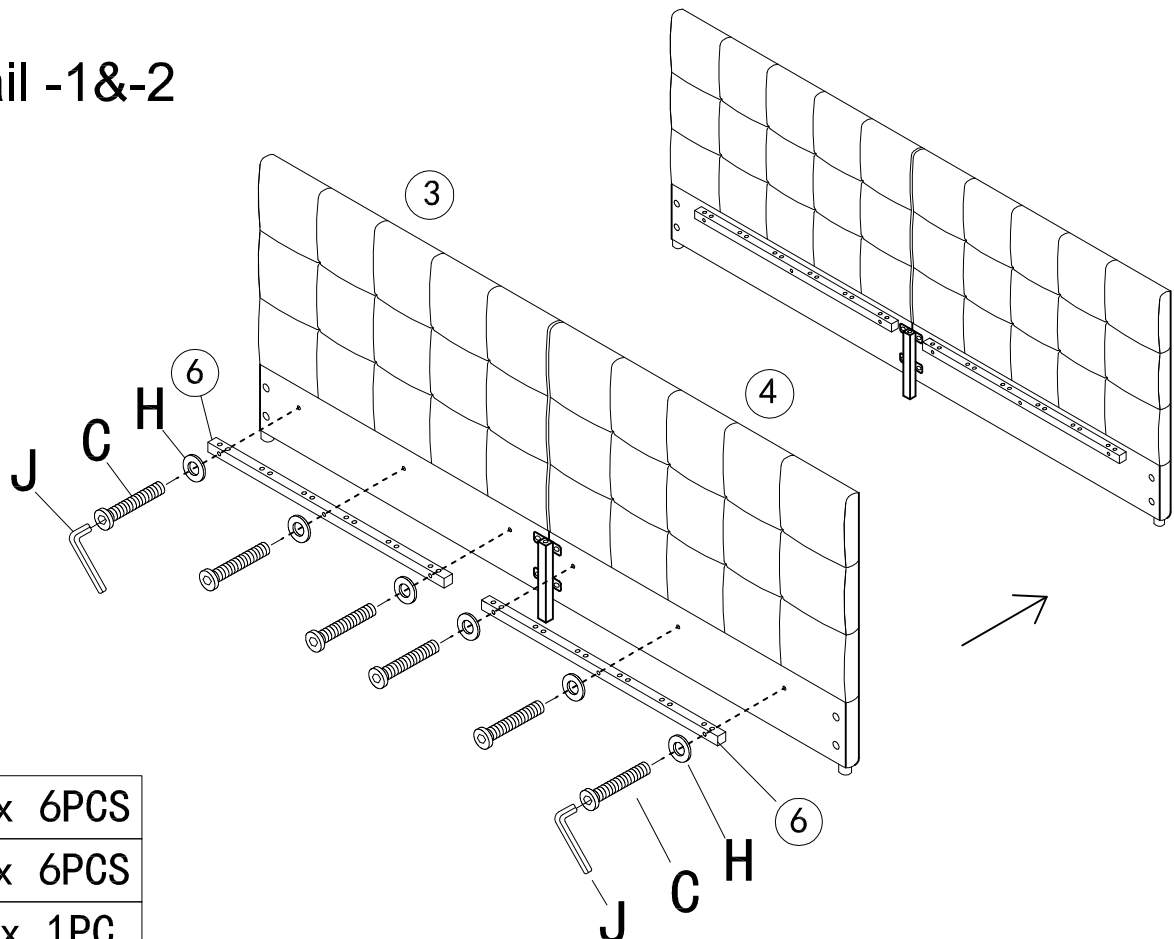
 11 x2PCS




### STEP 3 Side Rail -1&-2



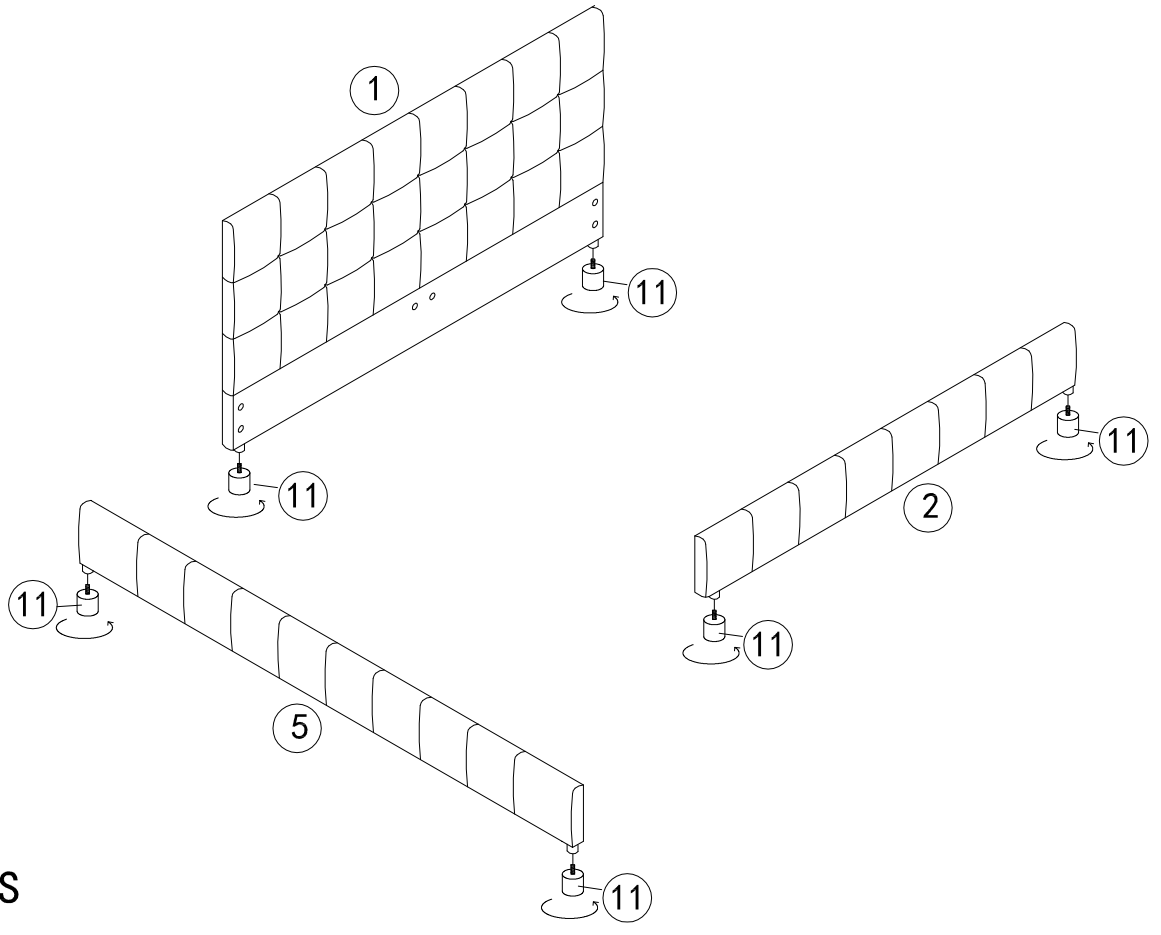
	A x8PCS
	G x8PCS
	E x8PCS
	I x1PC

### STEP 4 Side Rail -1&-2

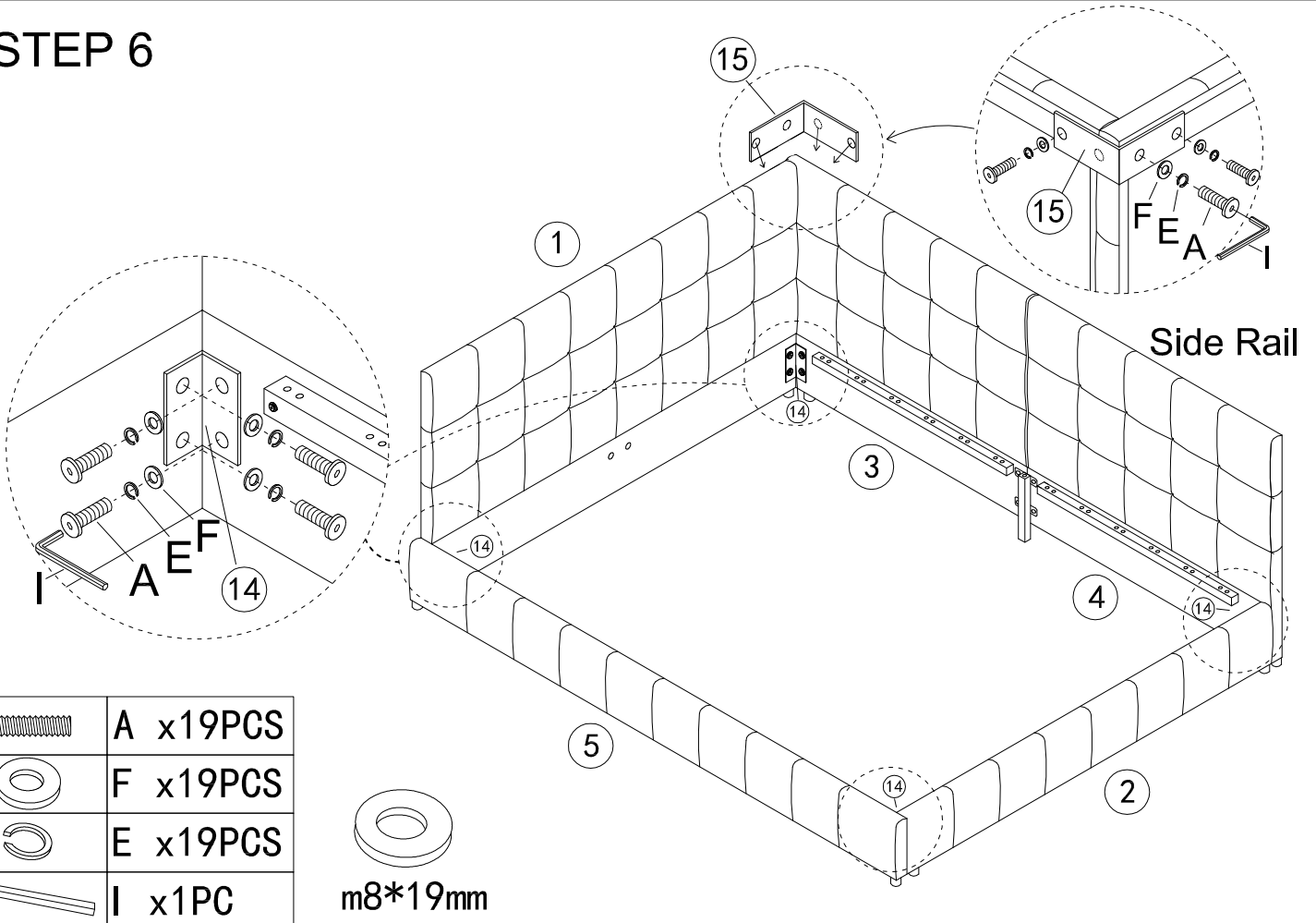






	C x 6PCS
	H x 6PCS
	J x 1PC

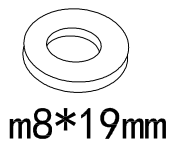
# STEP 5



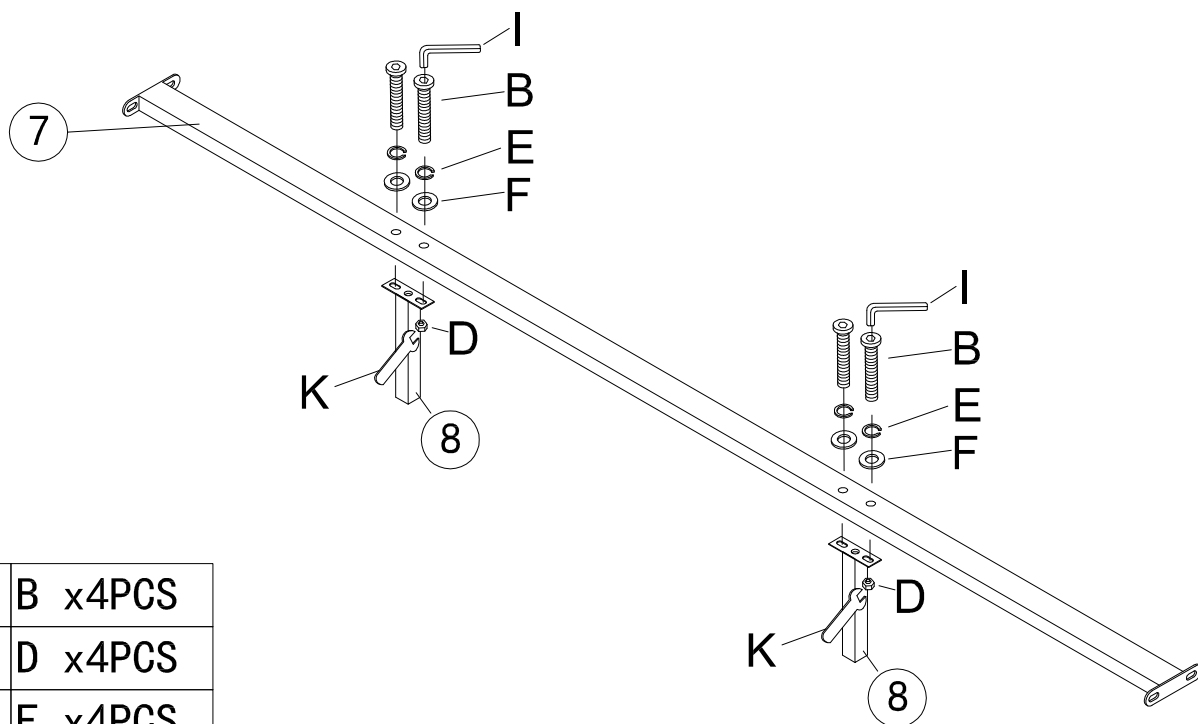
# STEP 6



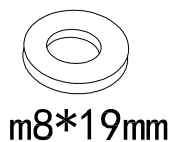
	A x19PCS
	E x19PCS
	F x19PCS
	I x1PC



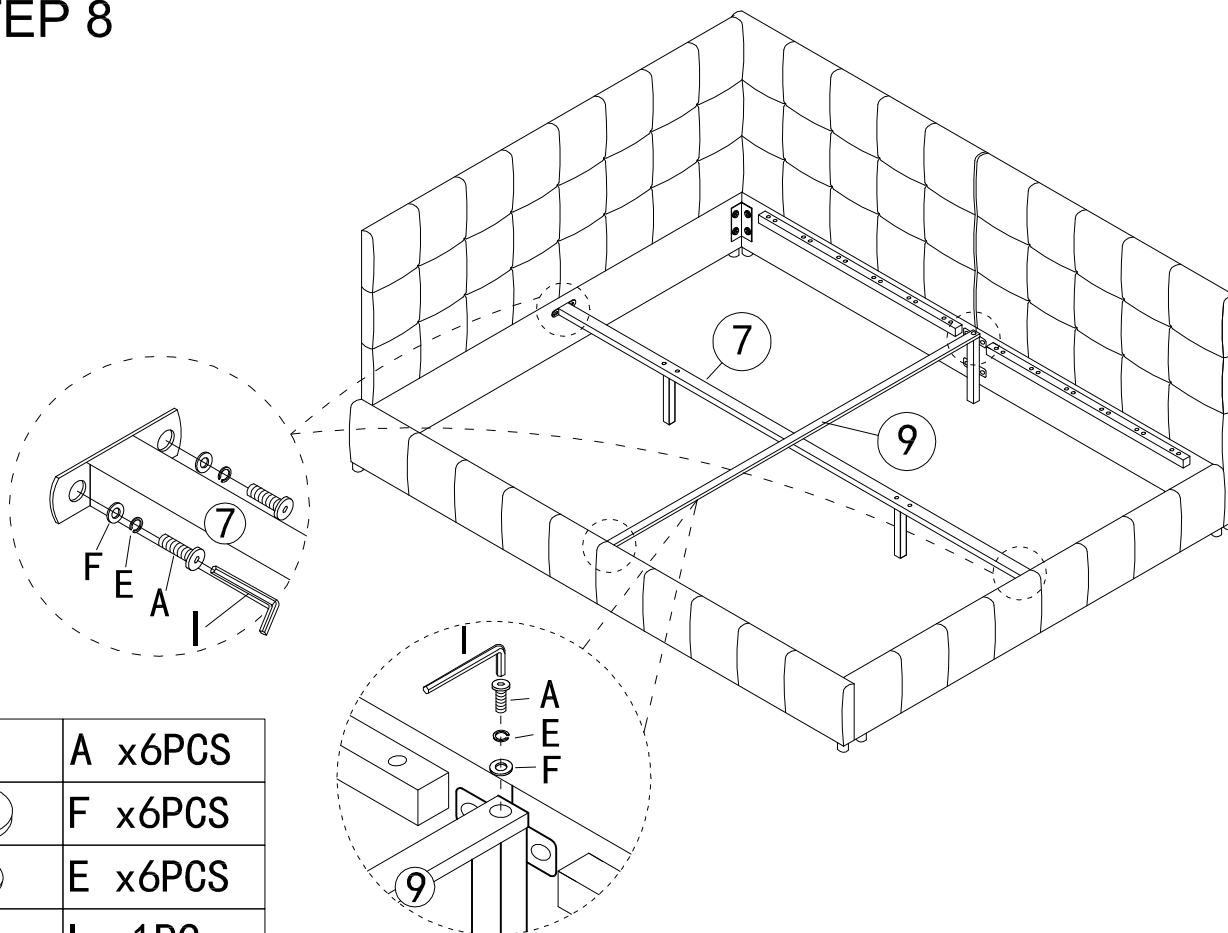
# STEP 7



	B x4PCS
	D x4PCS
	F x4PCS
	E x4PCS
	I x1PC
	K x1PC

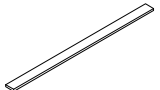



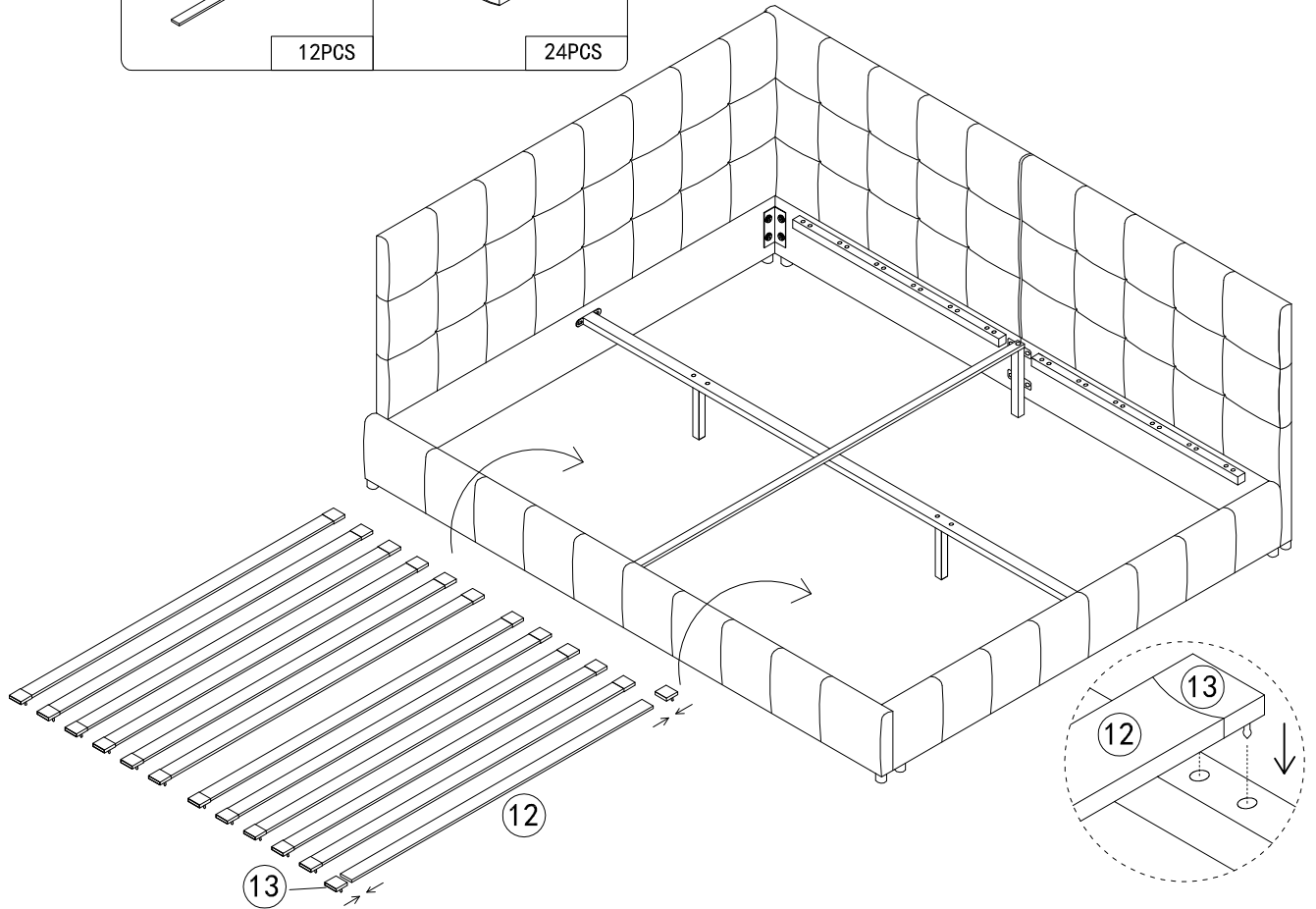
# STEP 8



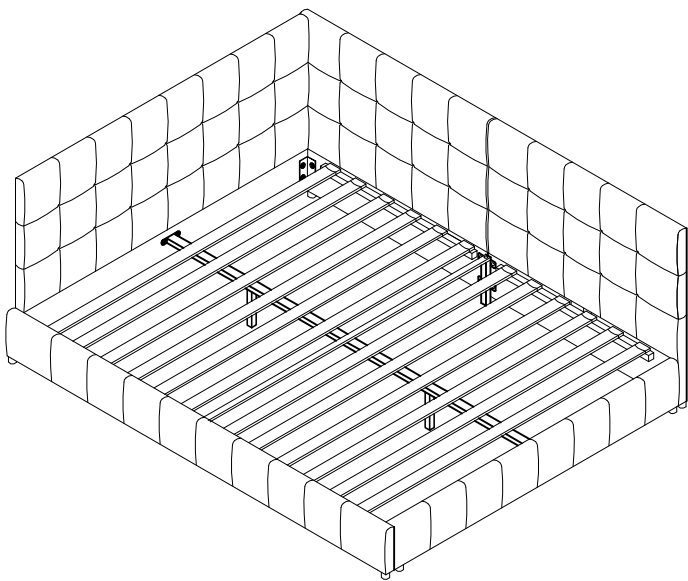
	A x6PCS
	F x6PCS
	E x6PCS
	I x1PC

# STEP 9

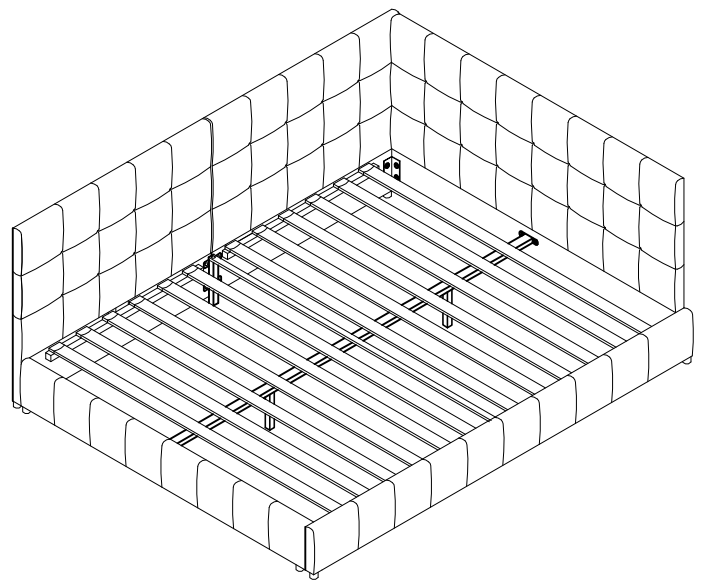
<p>⑫ Slat</p>  <p>12PCS</p>	<p>⑬ Single Sided Plastic cap</p>  <p>24PCS</p>
--	--



# STEP 10



Option L



Option R