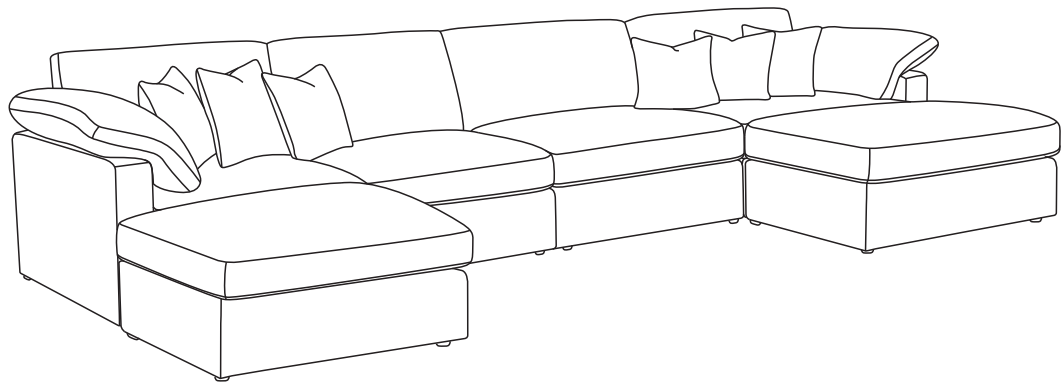


# ASSEMBLY INSTRUCTION

ITEM NO.:SF1911/SF1912/SF1913/SF1914



## PARTS LIST

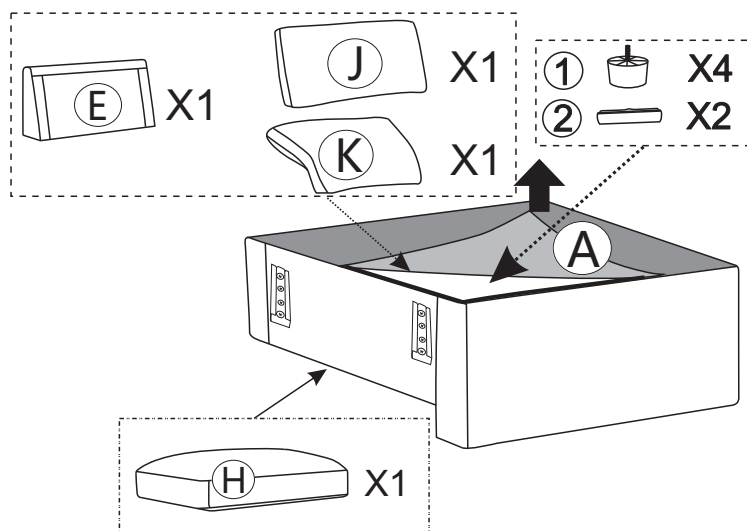
<b>A</b> X1	<b>B</b> X2	<b>C</b> X1	<b>D</b> X2	<b>E</b> X4	<b>F</b> X1
<b>G</b> X1	<b>H</b> X4	<b>I</b> X2	<b>J</b> X4	<b>K</b> X2	<b>L</b> X6

## HARDWARE LIST

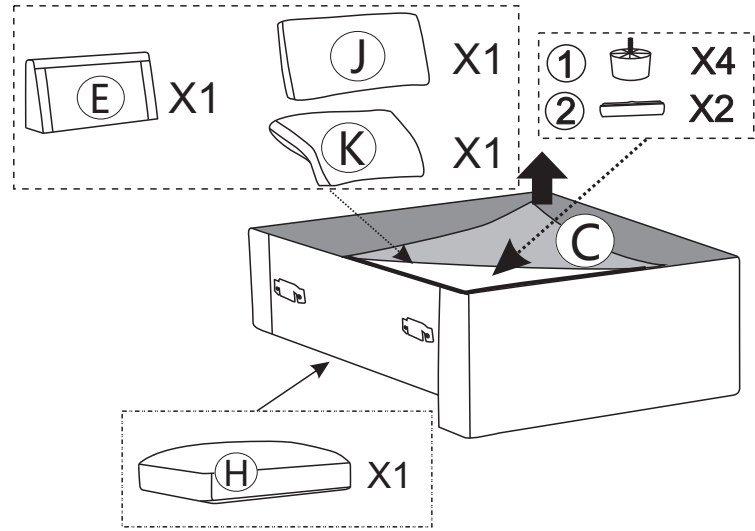
<b>1</b> X28	<b>2</b> X8

### Packing Details

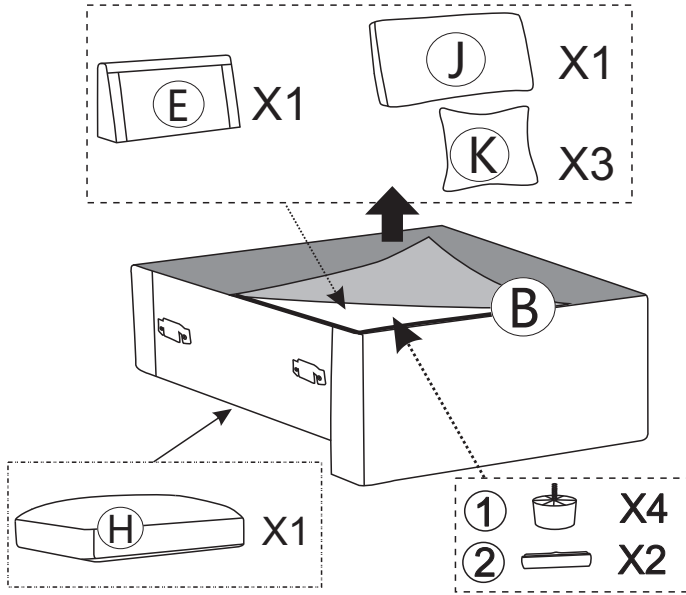
Carton 1-6



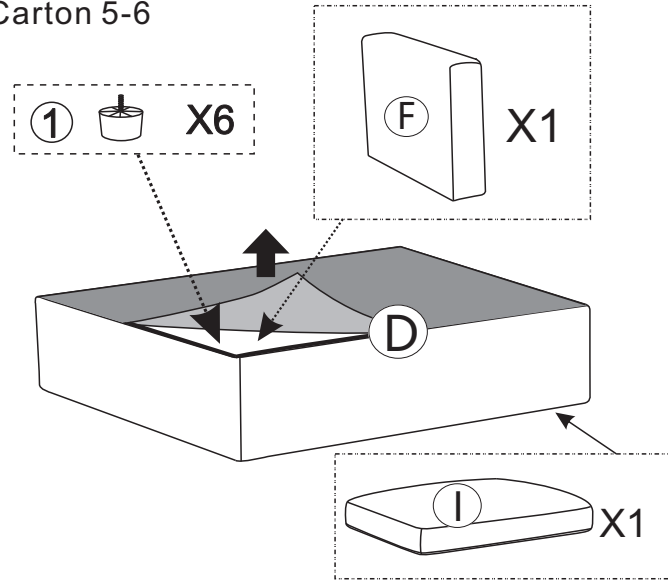
Carton 2-6



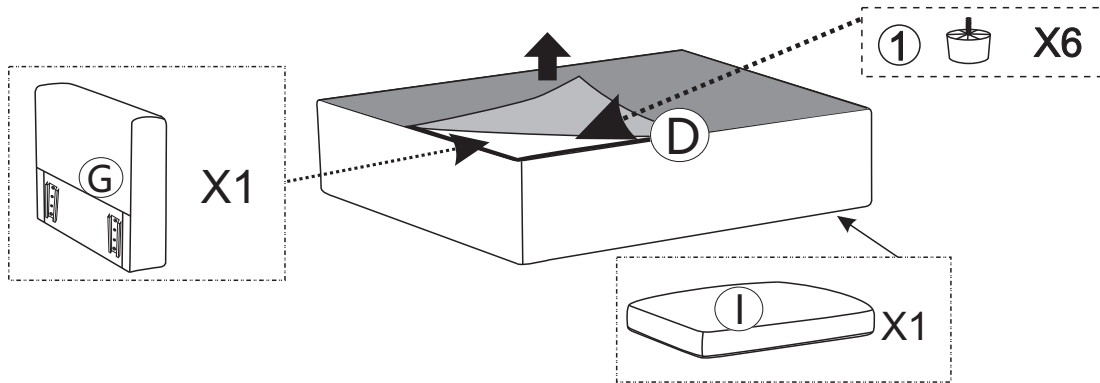
Carton 3-6/4-6



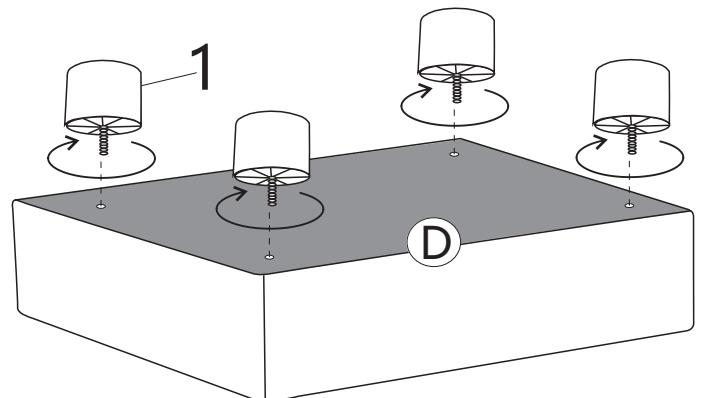
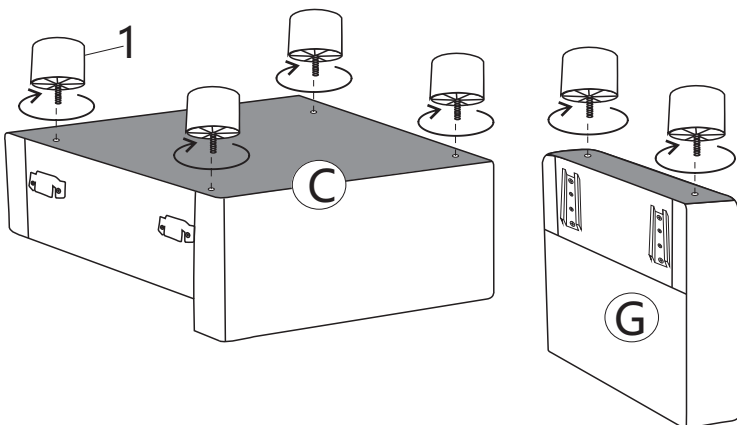
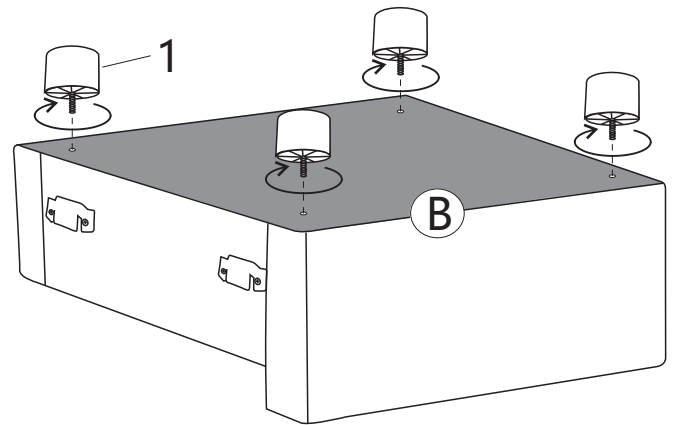
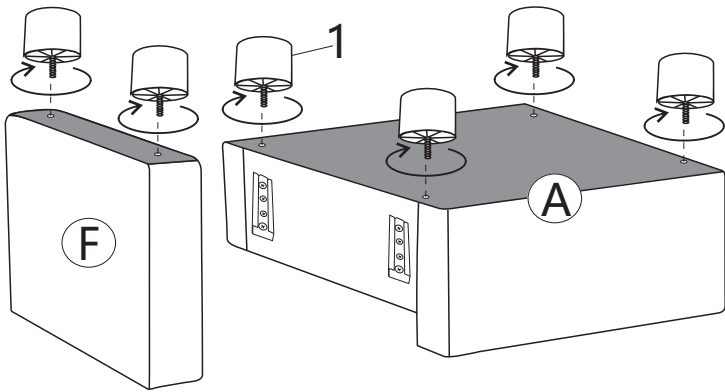
Carton 5-6



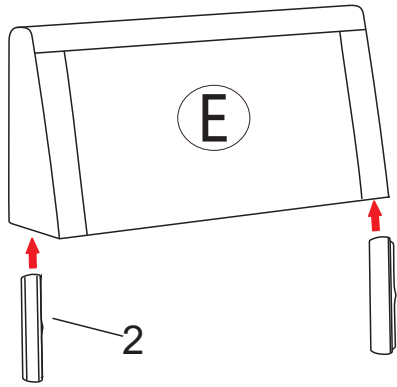
Carton 6-6



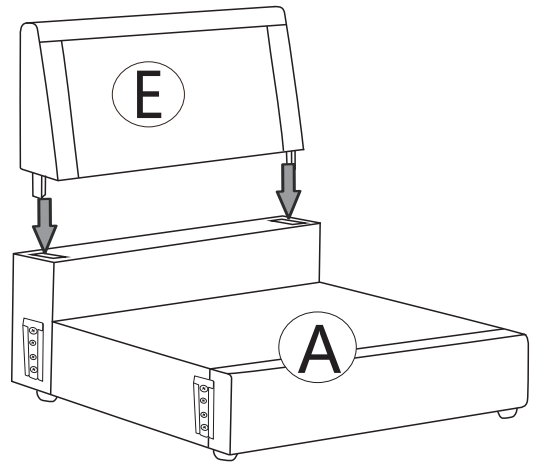
Step 1



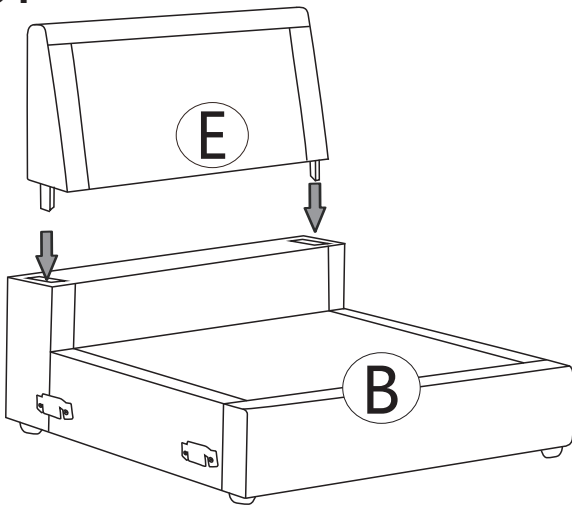
**Step2** Please pay attention to follow this step to assemble!



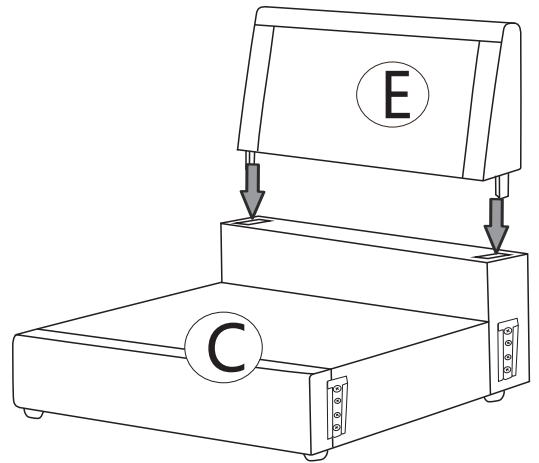
**Step3**



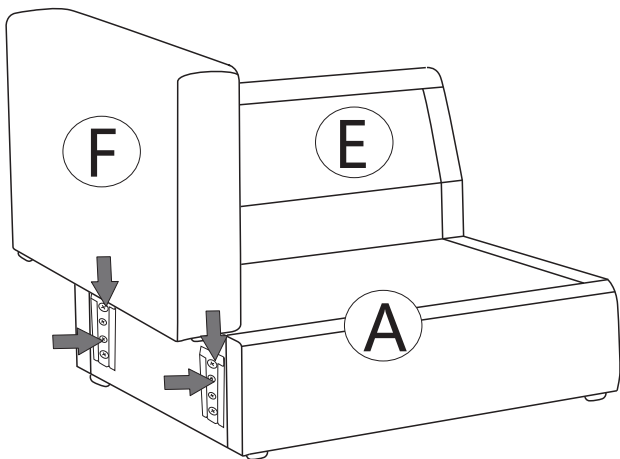
**Step4**



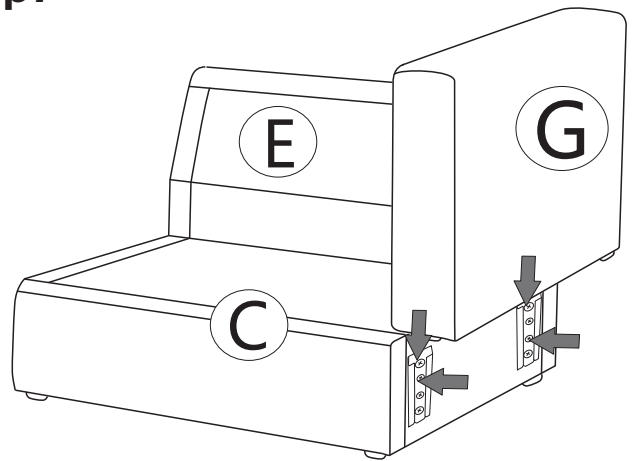
**Step5**



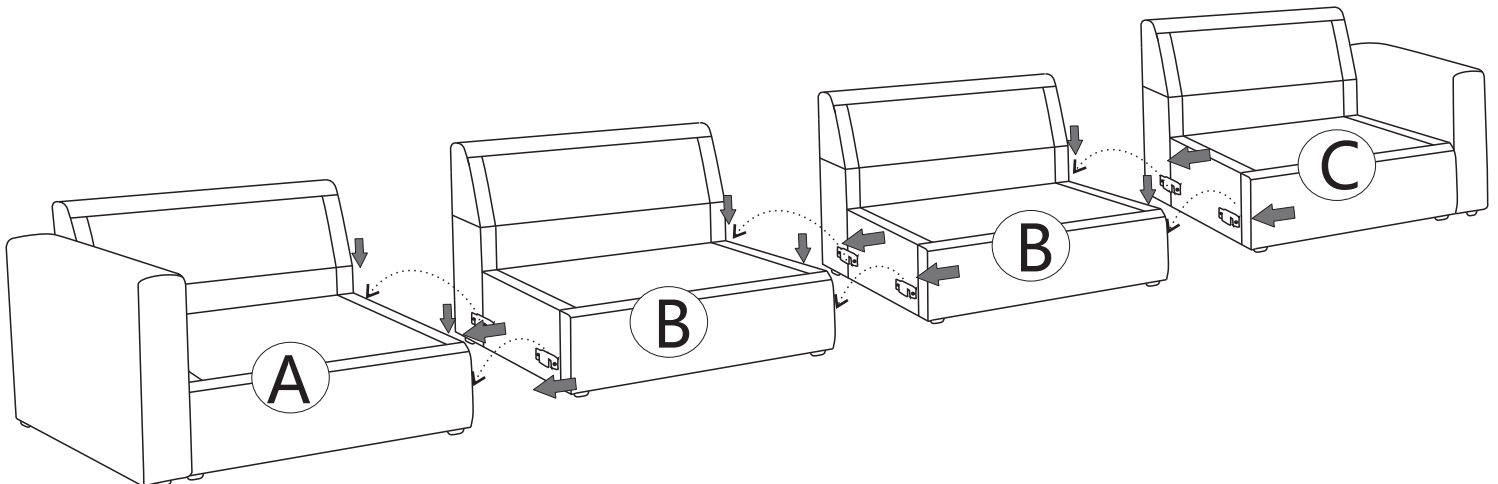
**Step6**



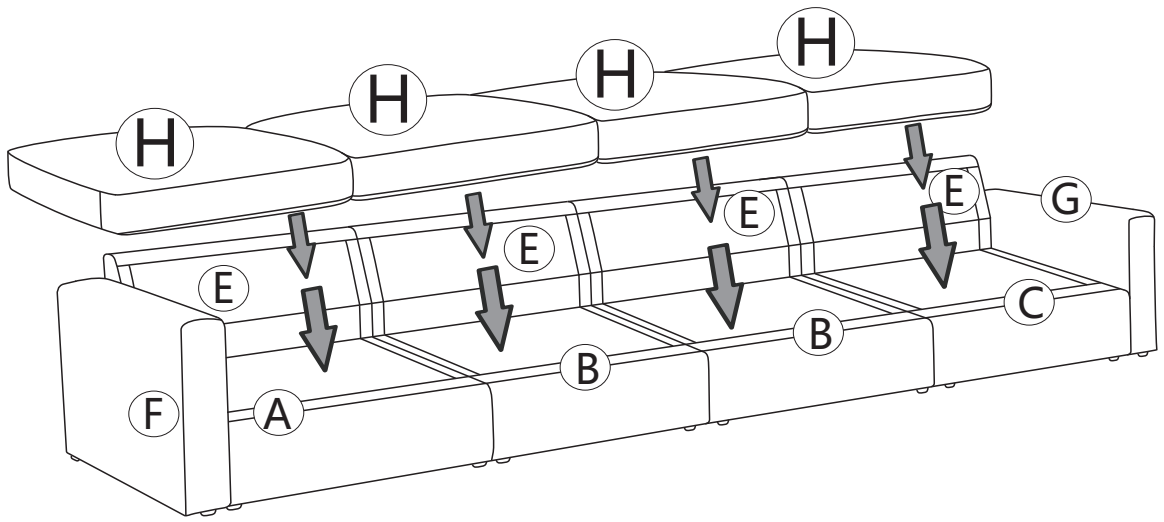
**Step7**



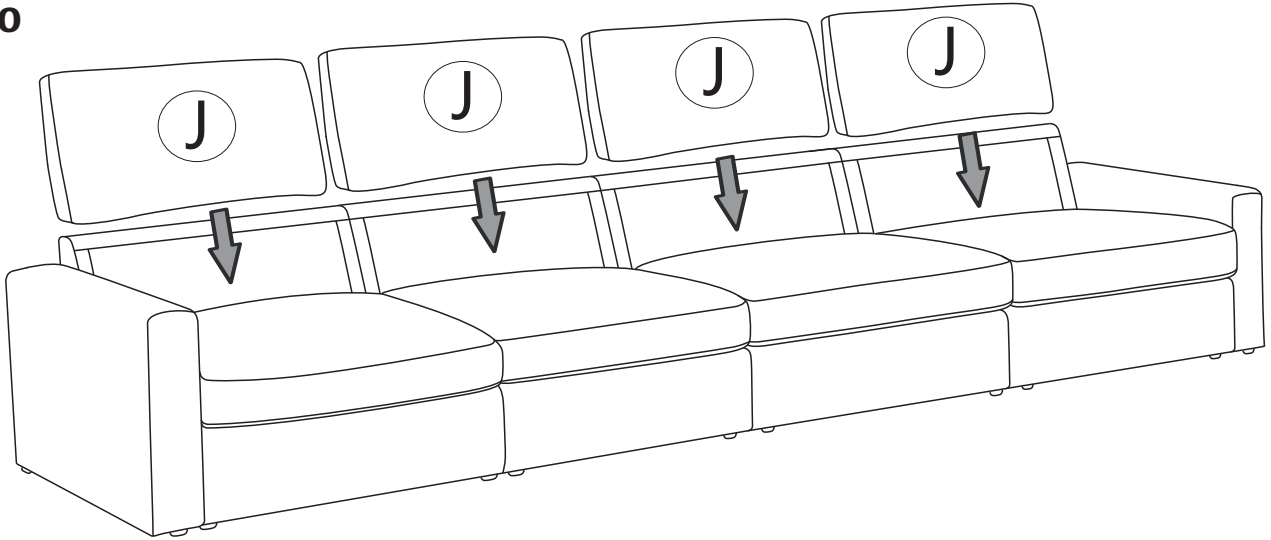
**Step8**



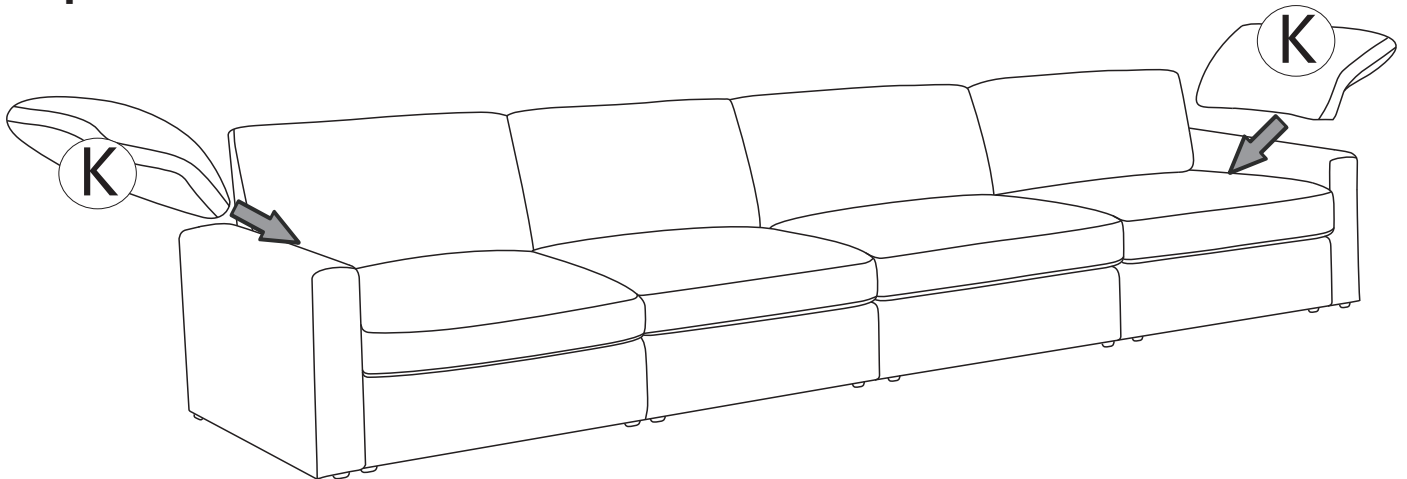
**Step9**



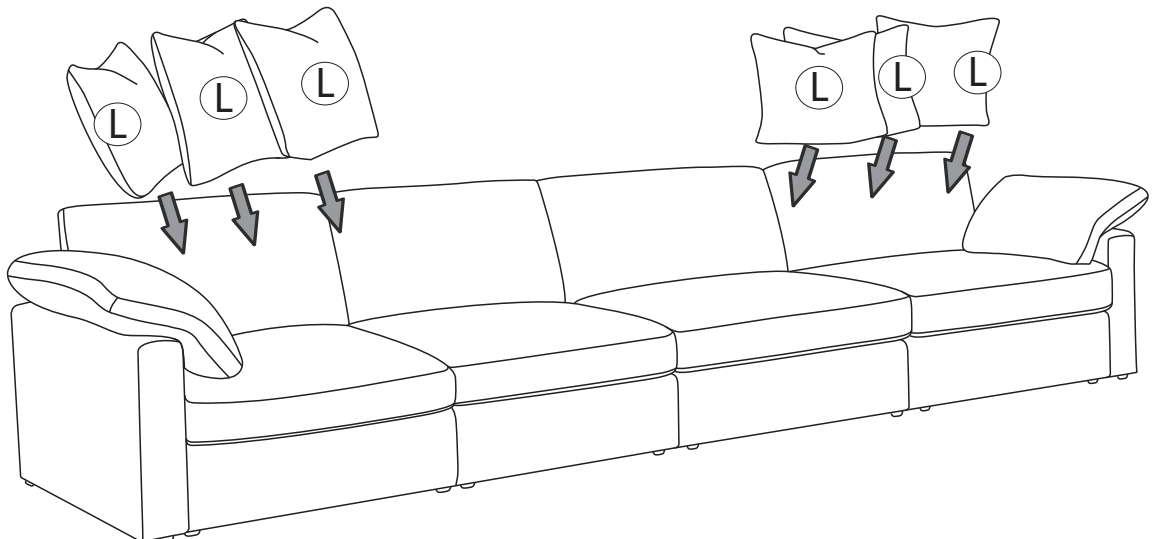
**Step10**



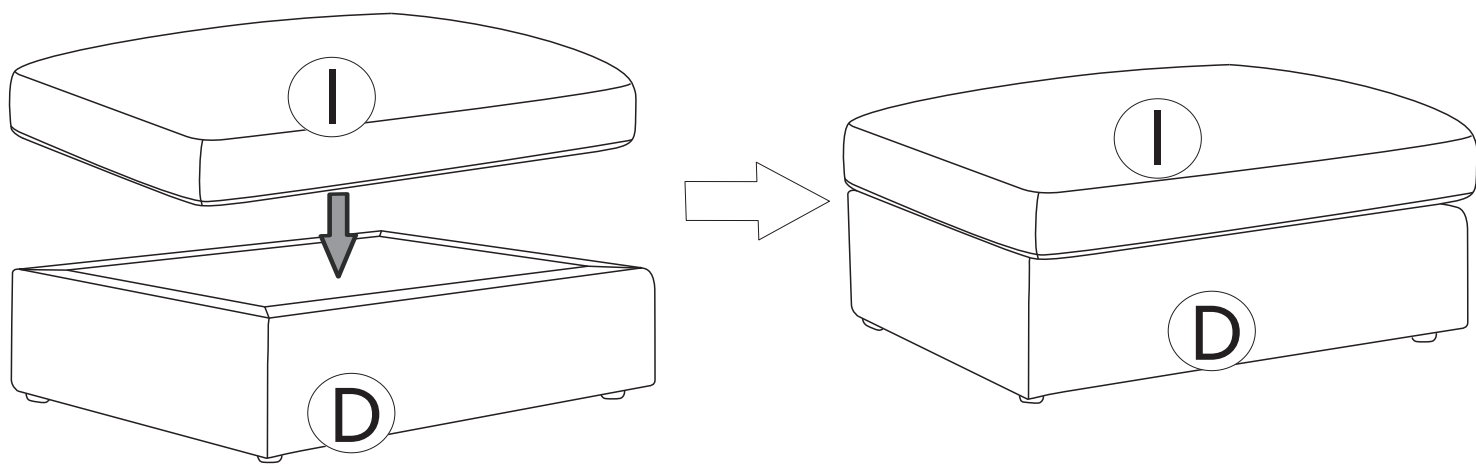
**Step11**



**Step12**



### Step13



### Step14

