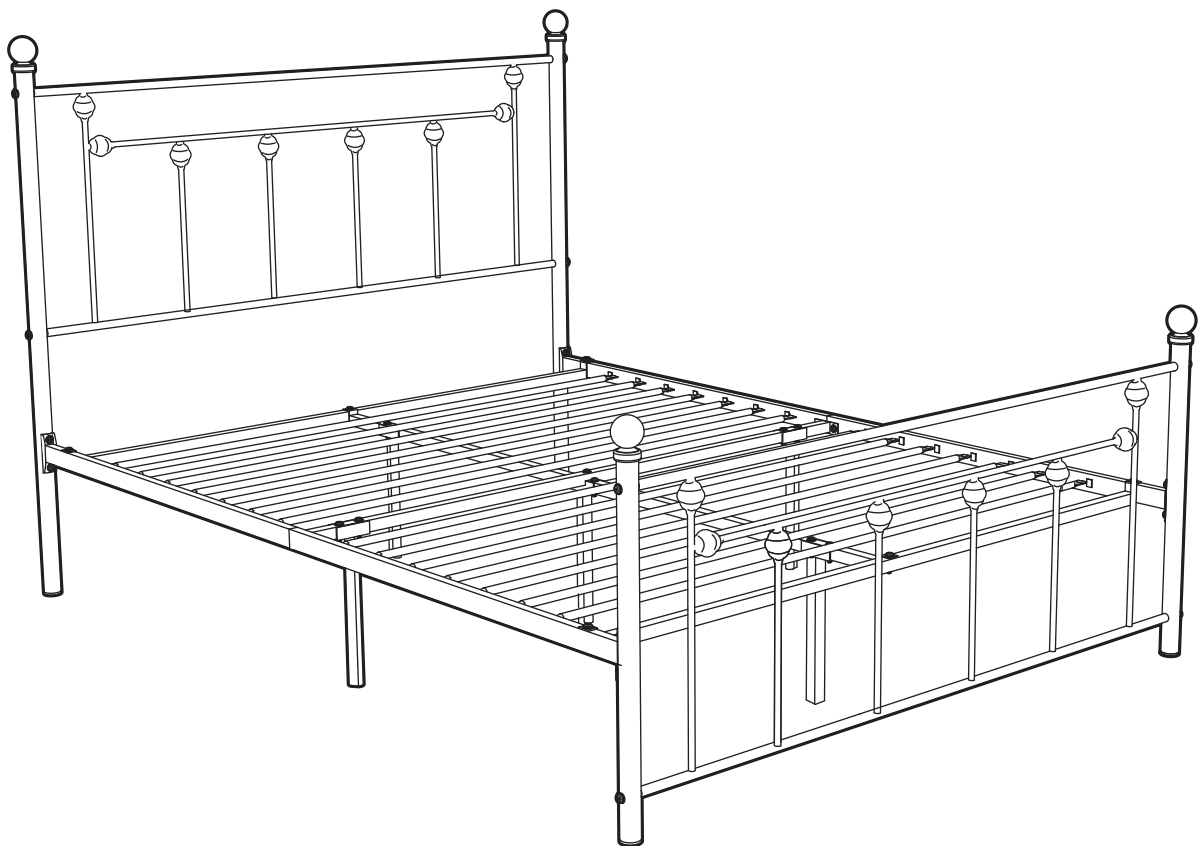


# METAL BED

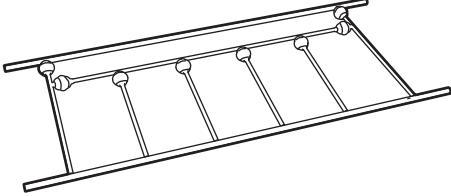
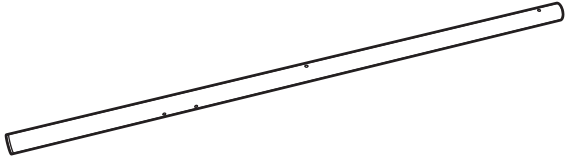
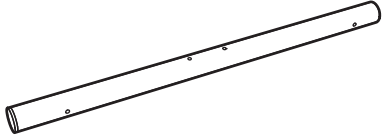
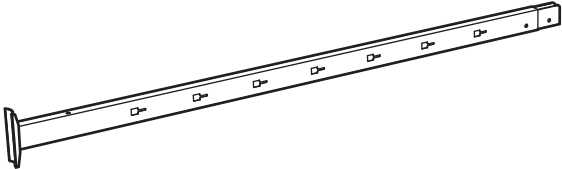
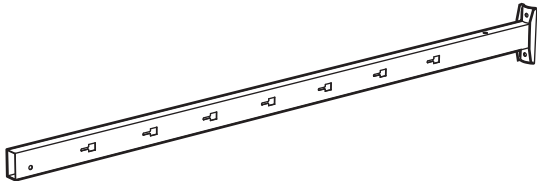
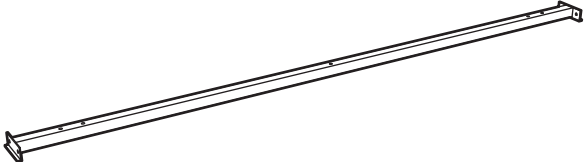
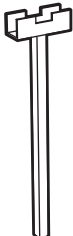
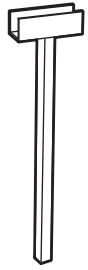
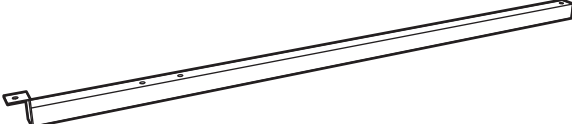
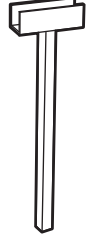
## ORIGINAL INSTRUCTION MANUAL

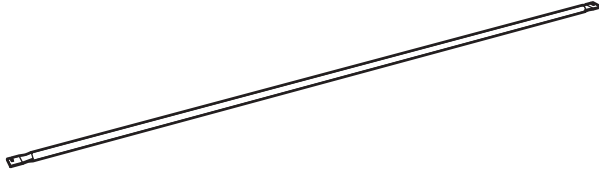
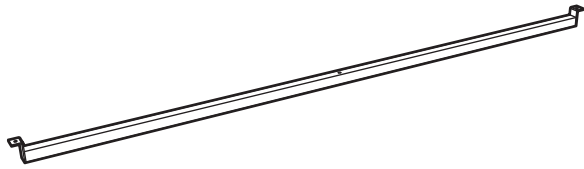
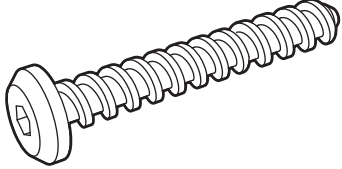
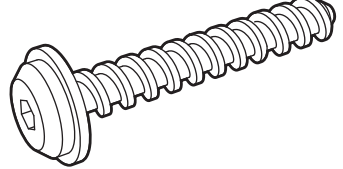
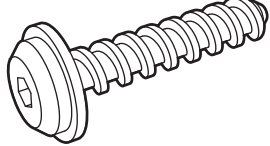
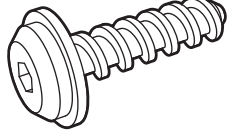
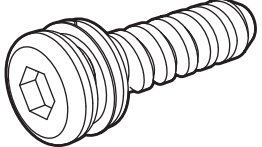


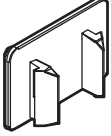



### DEAR CUSTOMER,

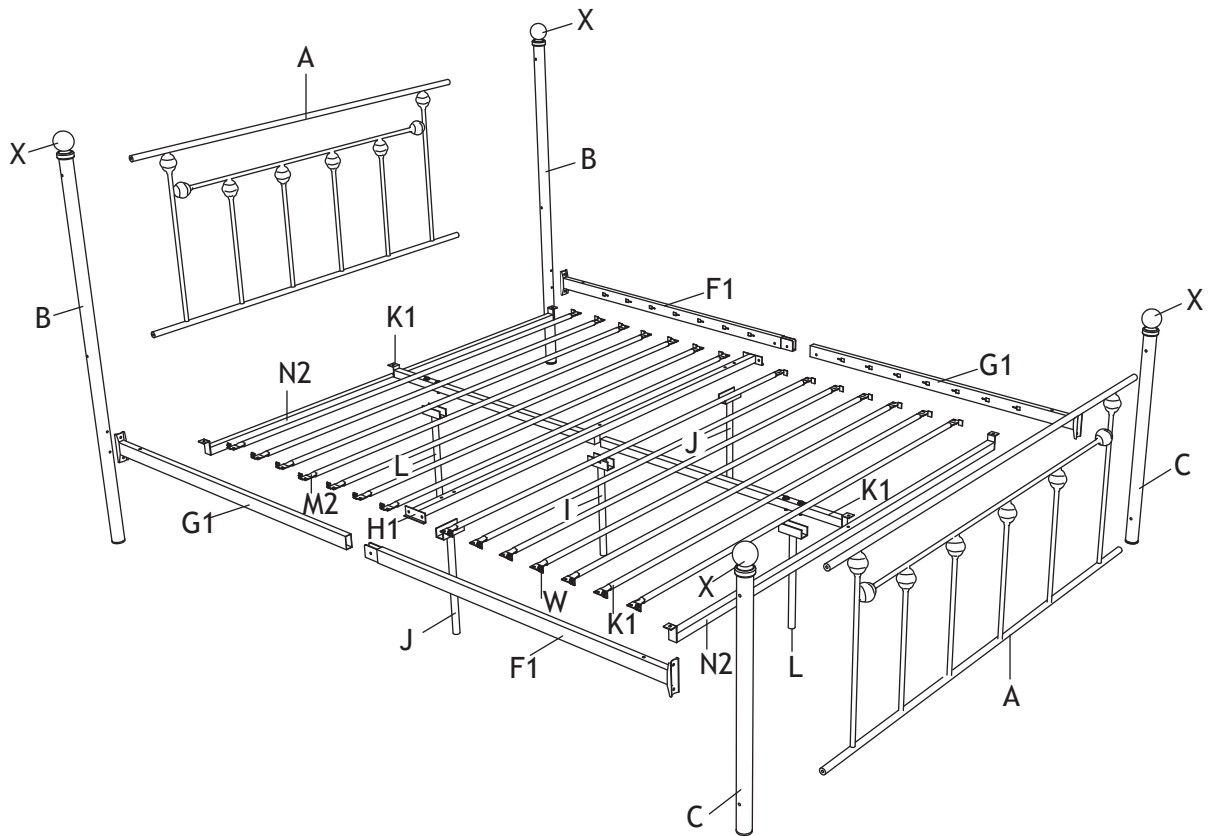
Thank you for choosing our product. Please read this manual carefully before assembling or using the product, to avoid damage caused by improper use. If the product is passed on to third parties, this manual has to be passed on along with the product. If you have any questions, please don't hesitate to contact us.

# PARTS LIST

<p>A</p>  <p>2x</p>	<p>B</p>  <p>2x</p>
<p>C</p>  <p>2x</p>	<p>F1</p>  <p>2x</p>
<p>G1</p>  <p>2x</p>	<p>H1</p>  <p>1x</p>
<p>I</p>  <p>1x</p>	<p>J</p>  <p>Long</p> <p>2x</p>
<p>K1</p>  <p>2x</p>	<p>L</p>  <p>Short</p> <p>2x</p>

<p>M2 14×</p> 	<p>N2 2×</p> 	
<p>O 8×</p>  <p>M6×55</p>	<p>P 1×</p>  <p>M6×50</p>	
<p>Q 10×</p>  <p>M6×35</p>	<p>R 10×</p>  <p>M6×15</p>	
<p>S 8×</p>  <p>M8×20</p>	<p>T 8×</p> 	
<p>U 1×</p>  <p>M4</p>	<p>W 28×</p> 	<p>X 4×</p> 

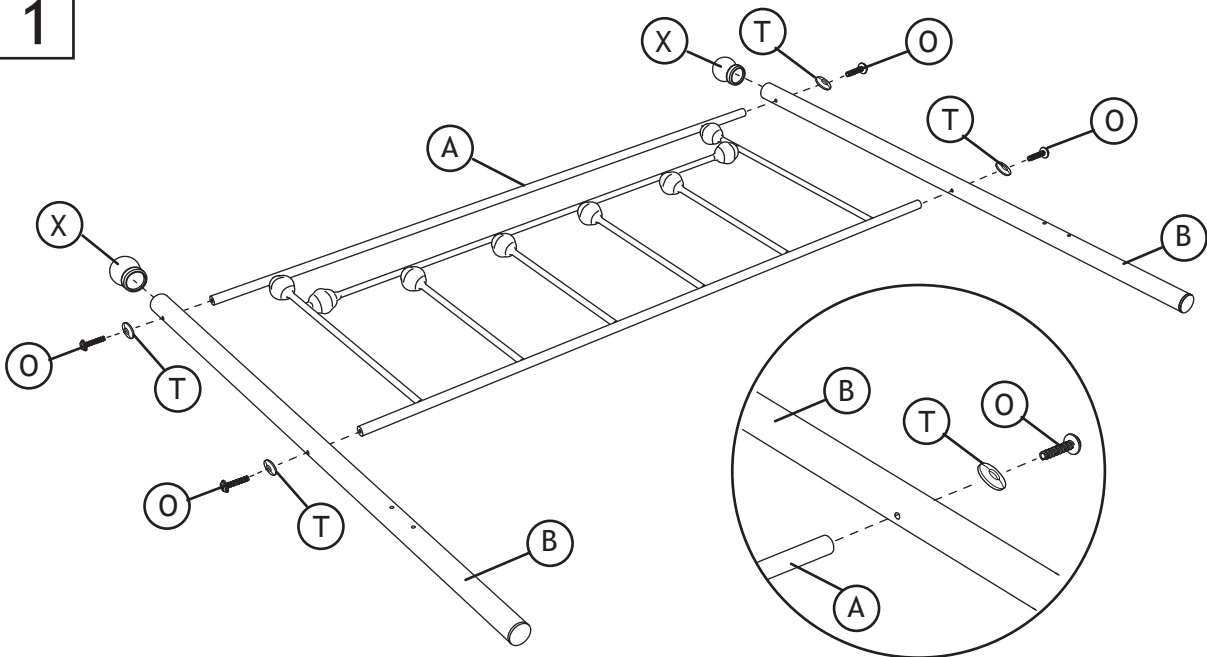
# EXPLOSION VIEW



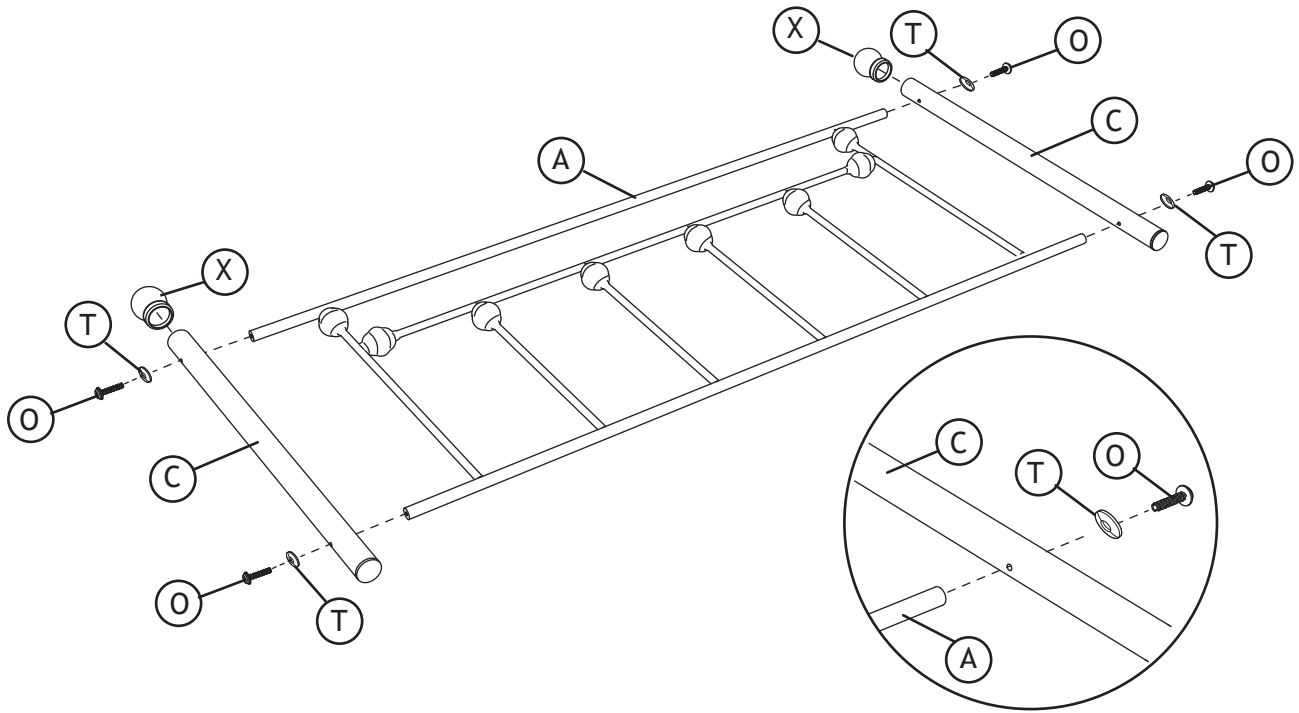
# ASSEMBLY

Before your installation, please make sure that you have all the parts listed on the manual. If you find something missing, please stop assembling and contact your supplier immediately.

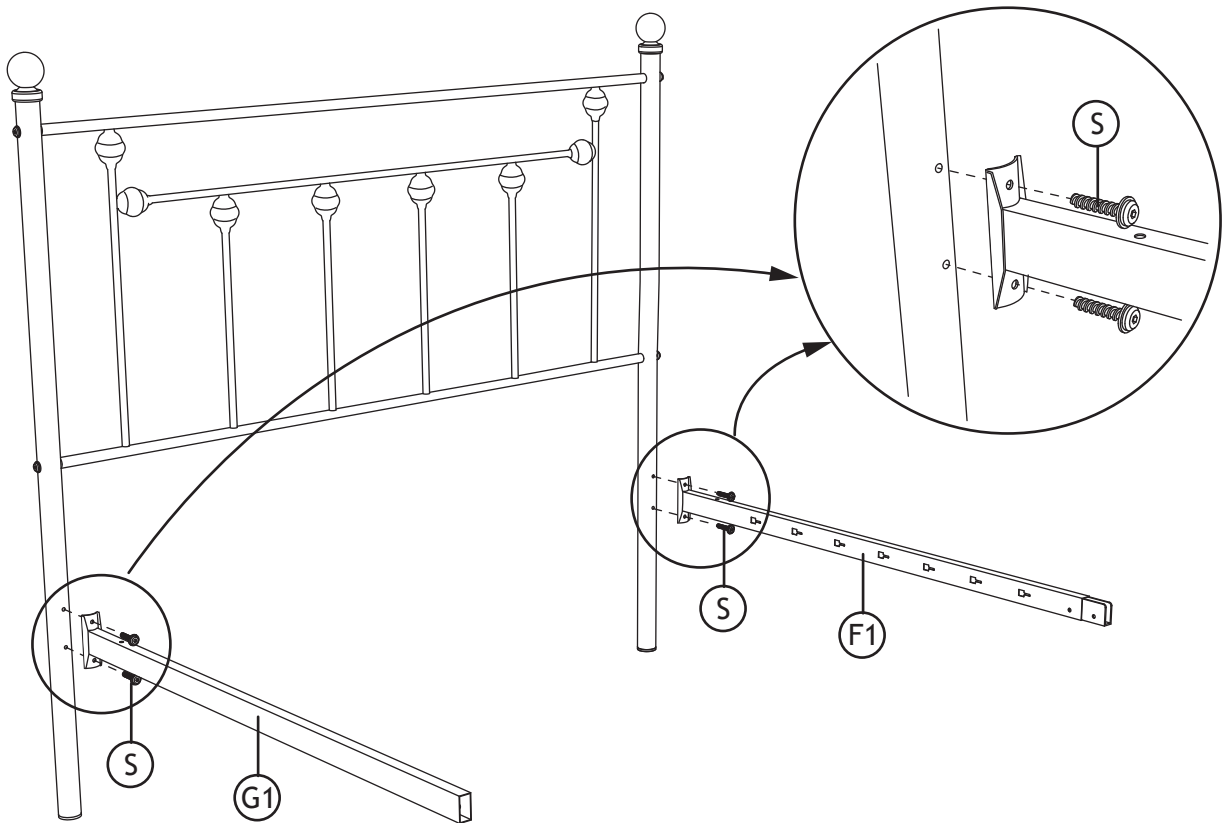
1



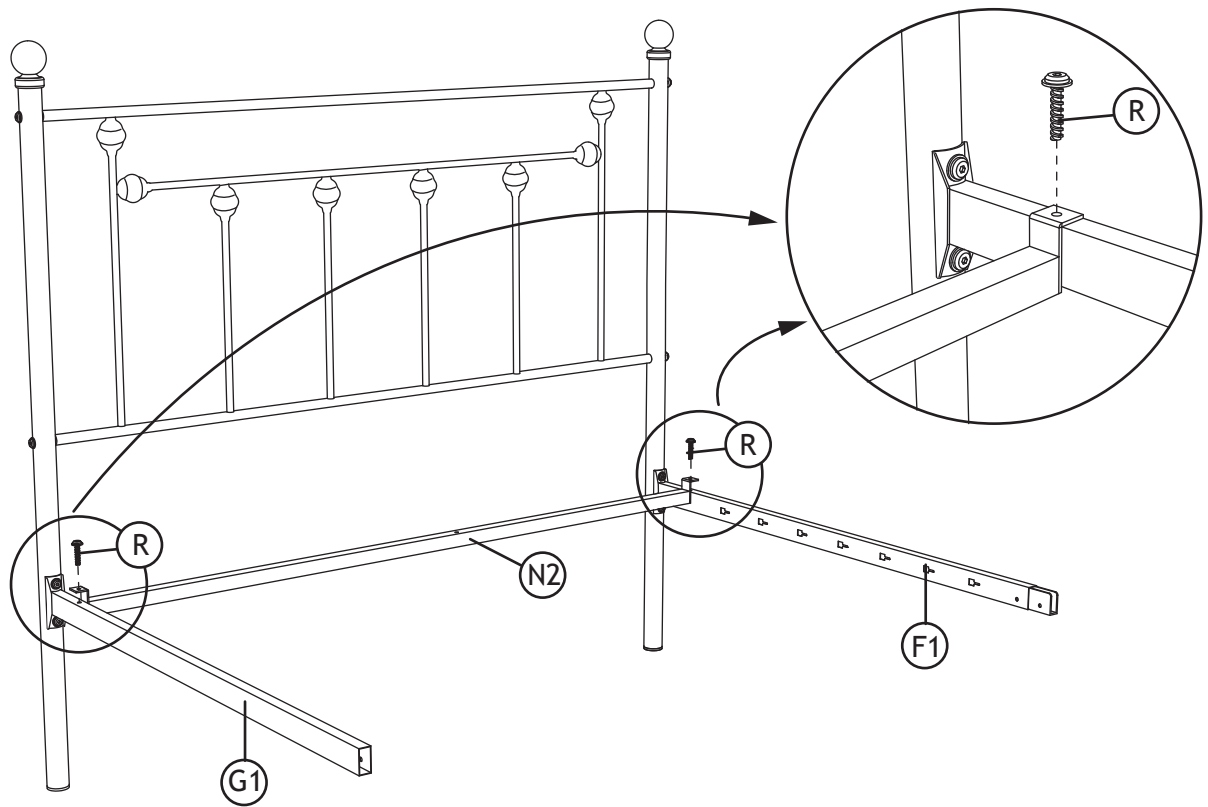
2



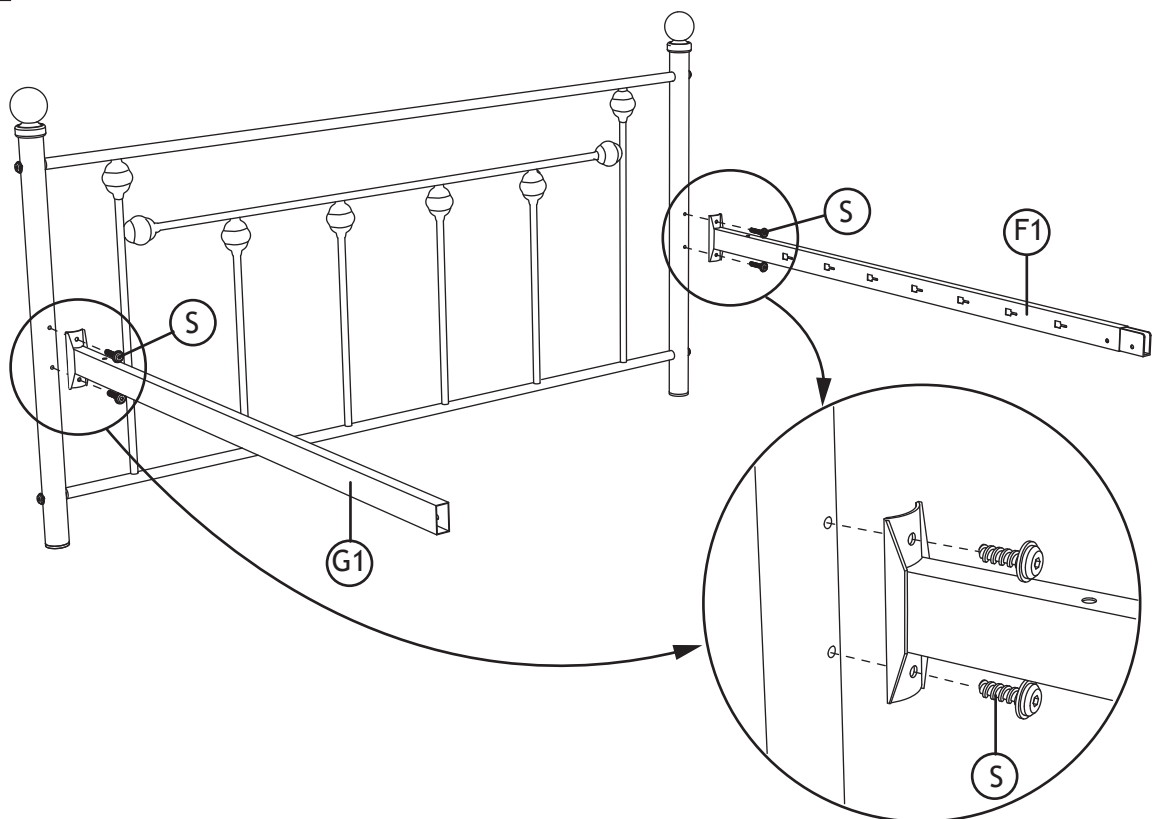
3



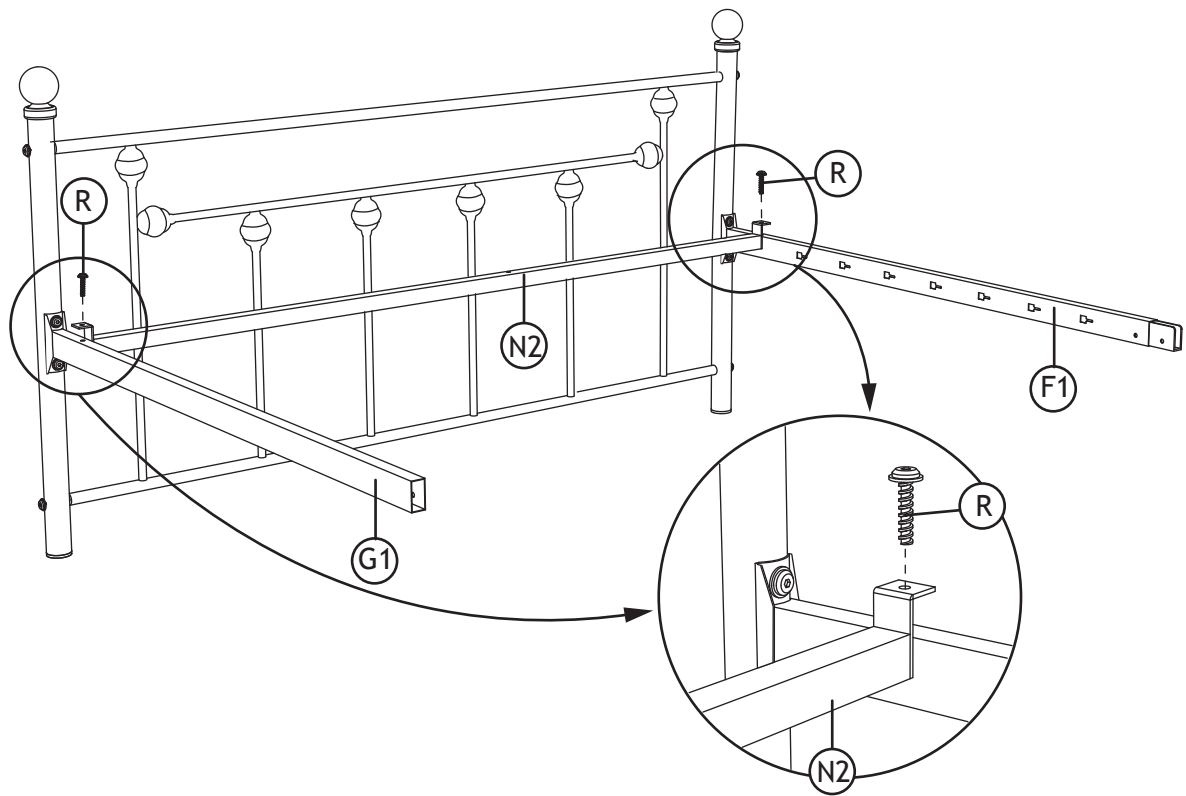
4



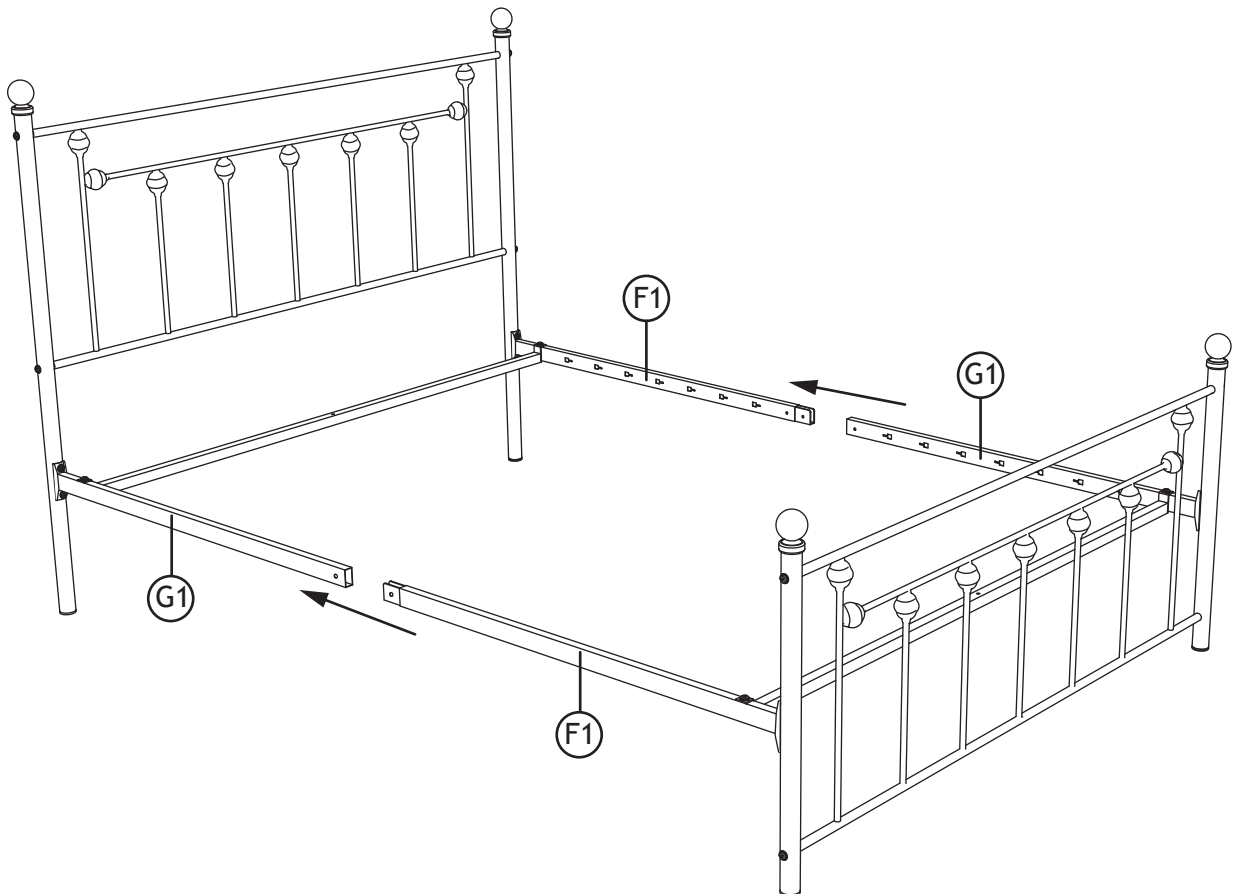
5



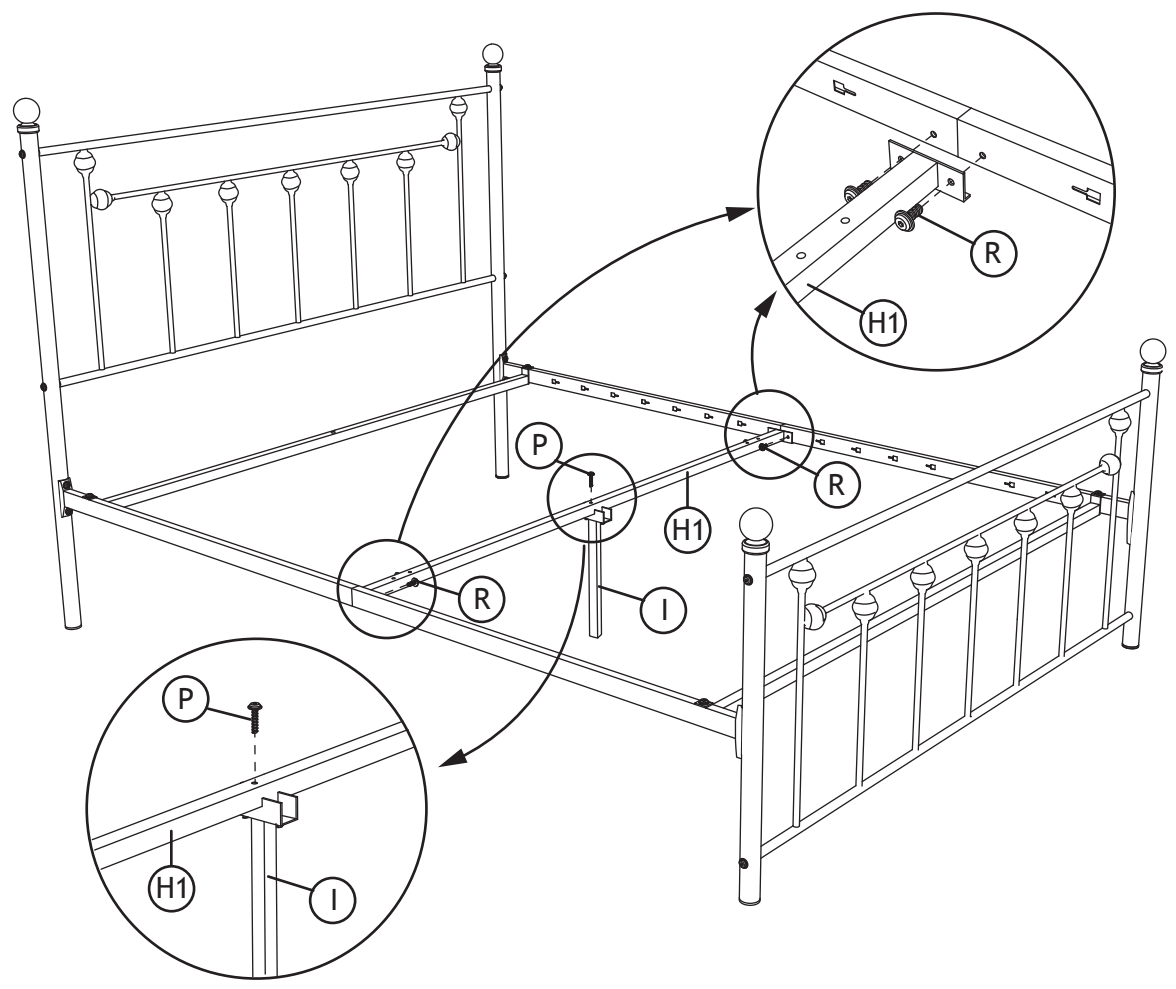
6



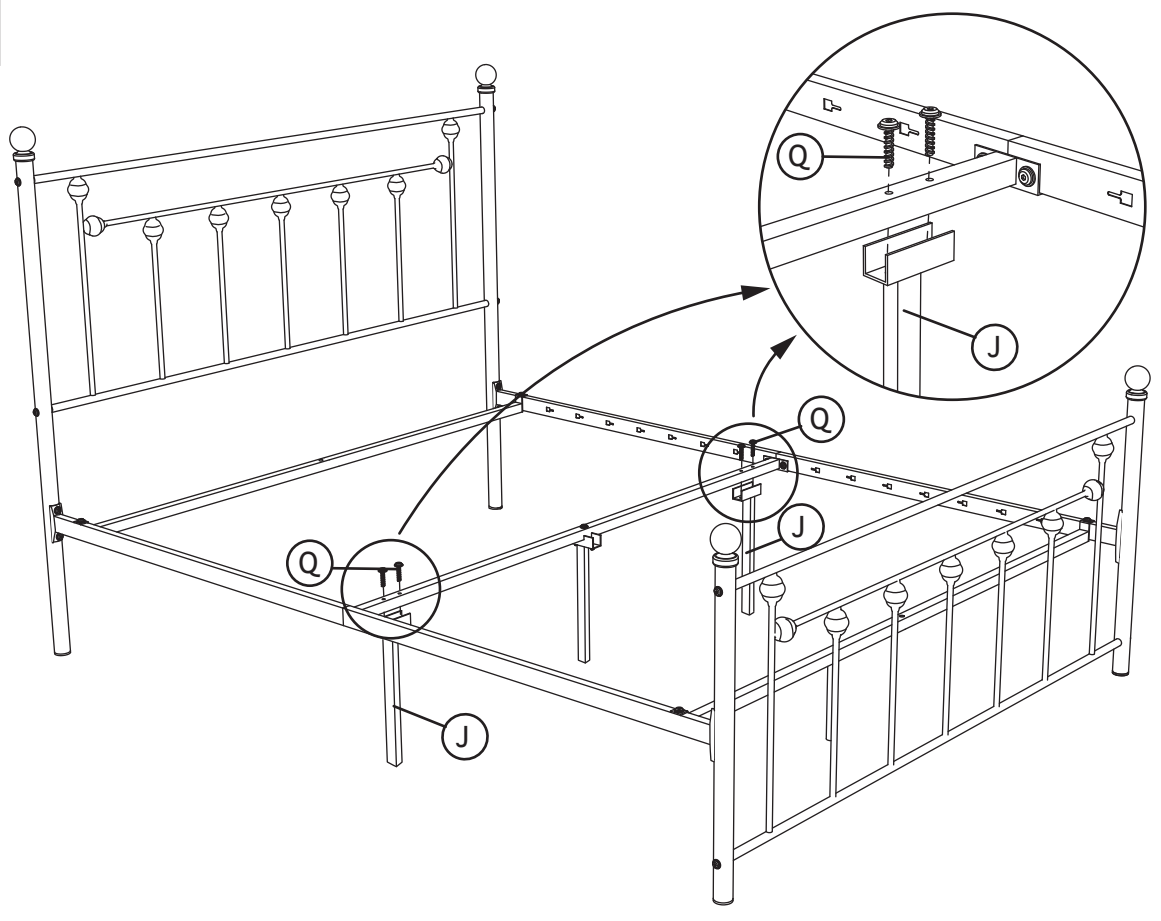
7



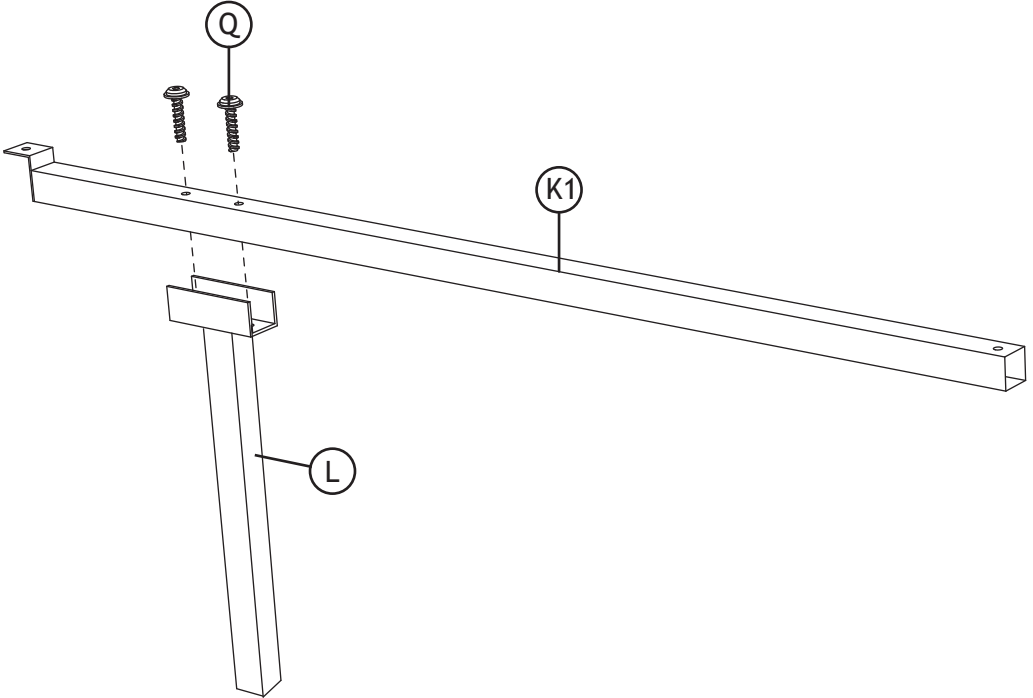
8



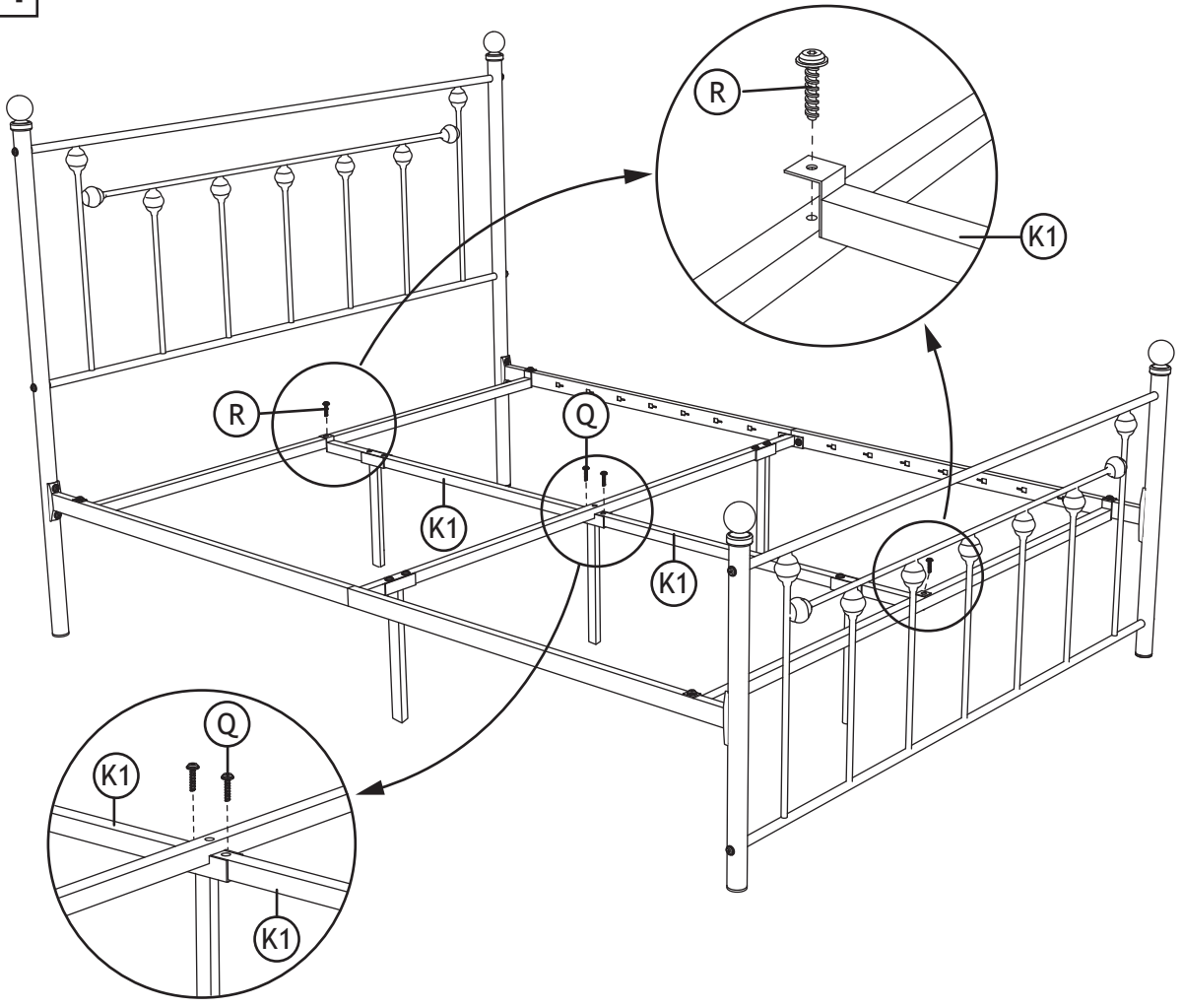
9



10



11



# 12

**Notice:** Pay attention to the direction of the buckles (W).  
The convex side of the buckle faces into the bar (F1/G1).

