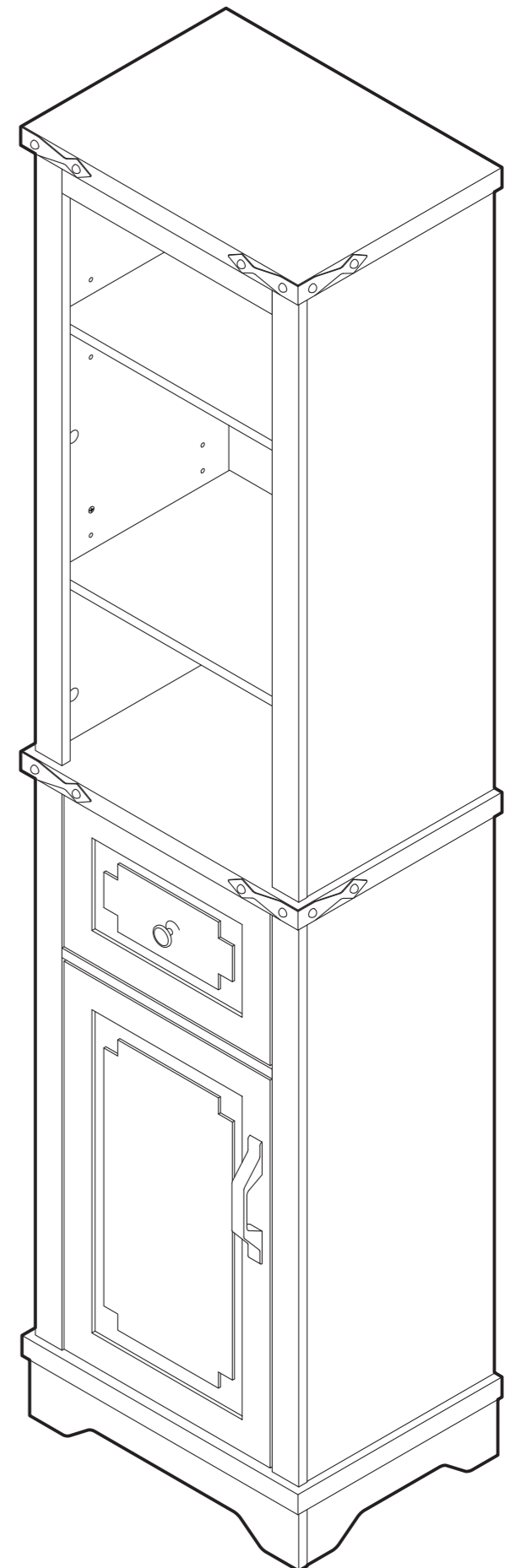


# STORAGE CABINET



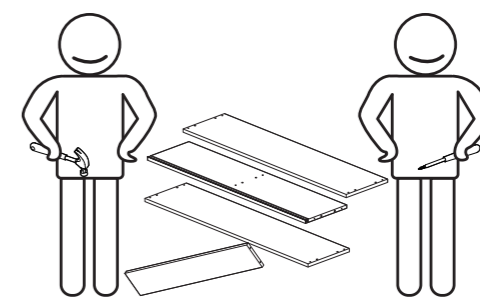
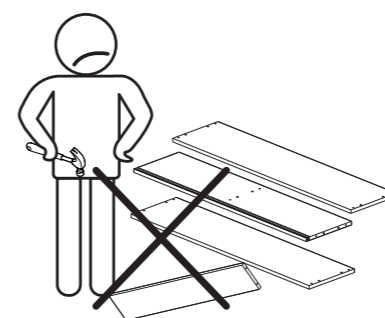
**SKU: 250029 / 250030**  
**Assembly Instructions**



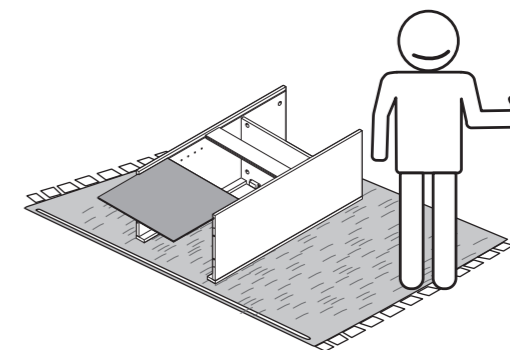
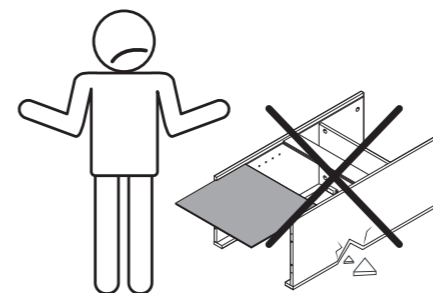
## WARNING

Children have died from furniture tip-over. To reduce the risk of furniture tip-over:

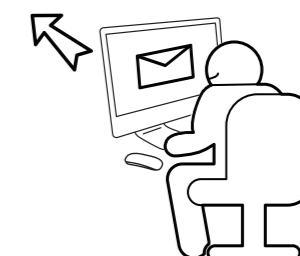
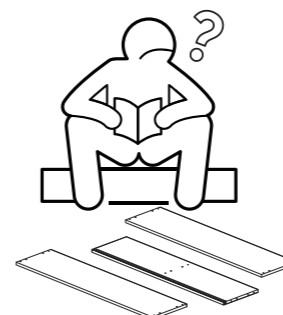
- ALWAYS install tip-over restraint provided.
- NEVER put a TV on this product.
- NEVER allow children to stand, climb or hang on drawers, doors, or shelves.
- NEVER open more than one drawer at a time.
- Place heaviest items in the lowest drawer.



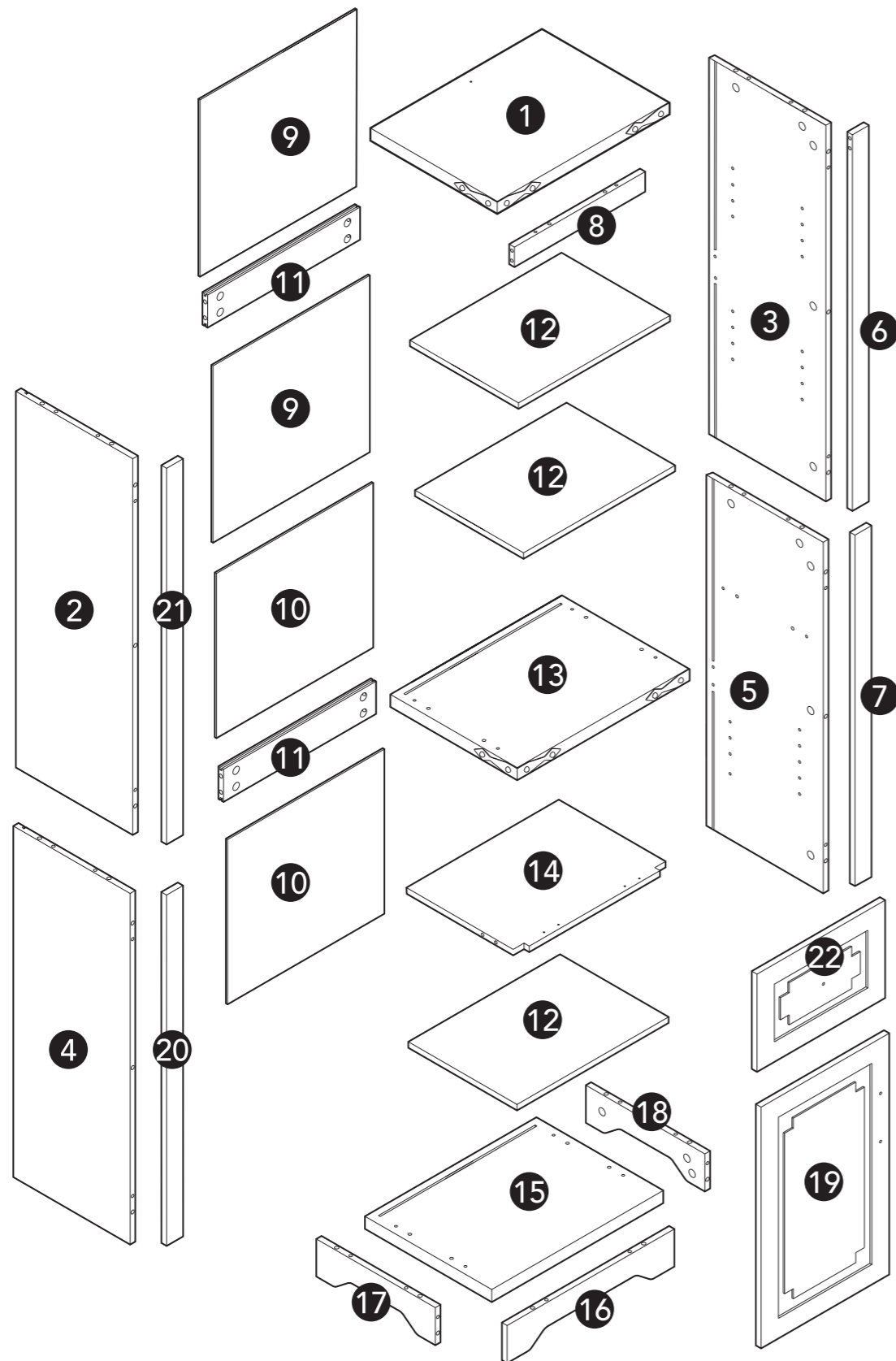
We recommend at least 2 people for the assembly.



To prevent any damage during assembly, place a mat under the pieces.






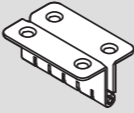






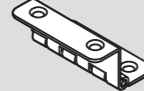

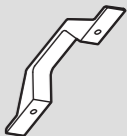
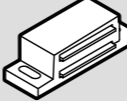


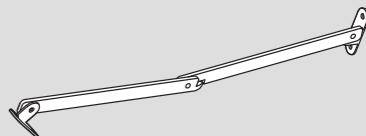


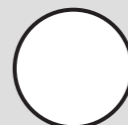



# PARTS DIAGRAM




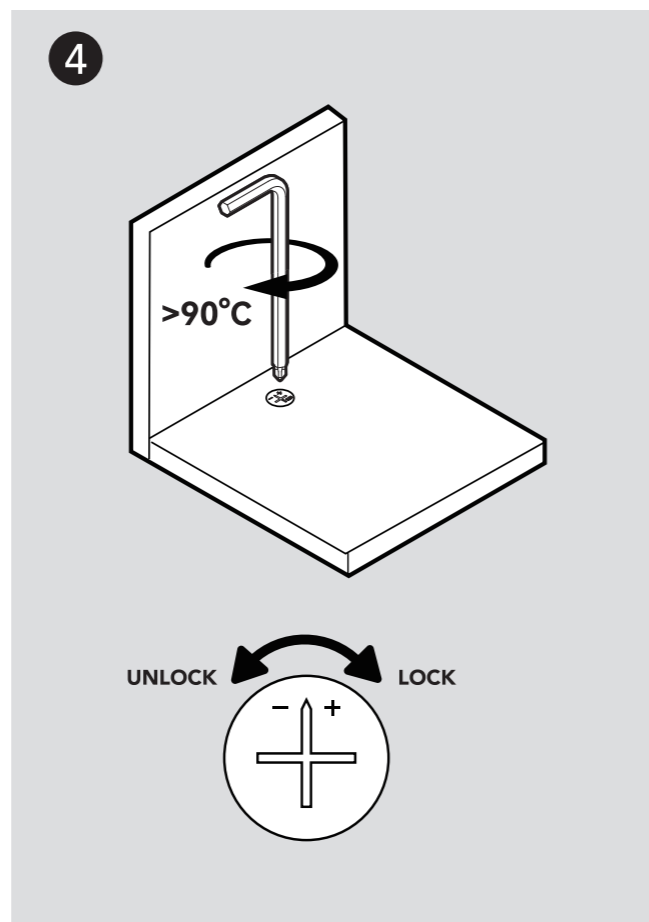
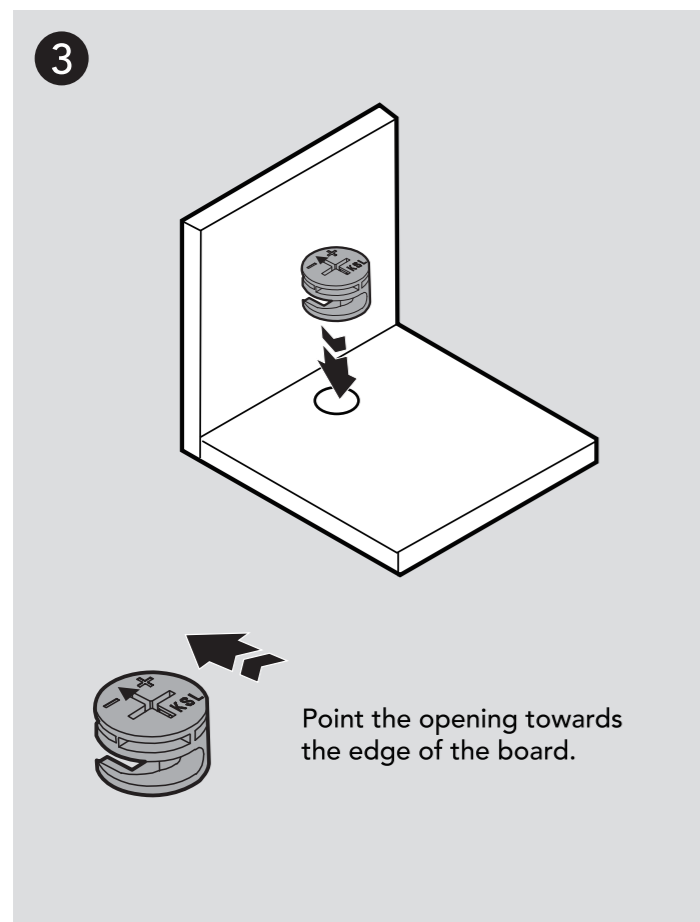
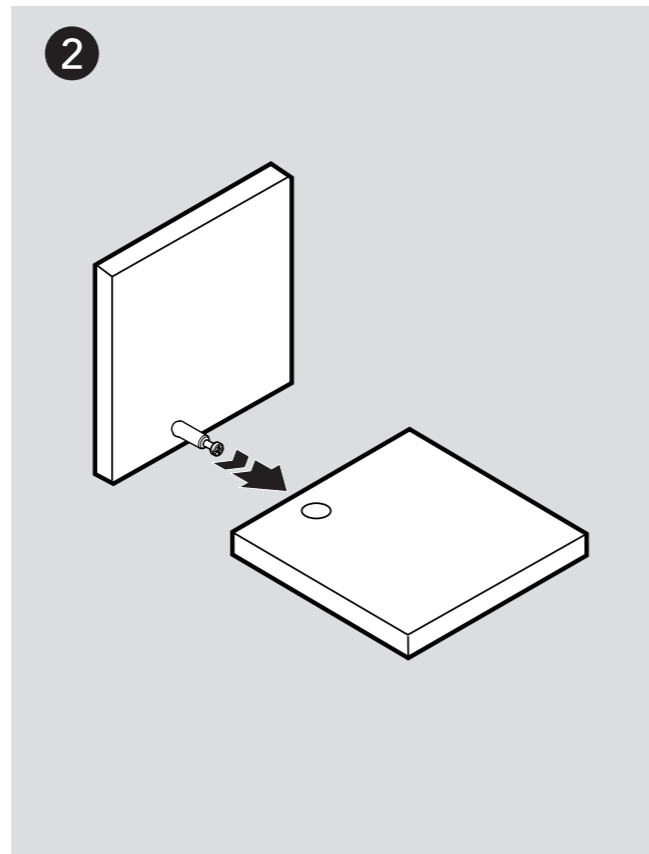
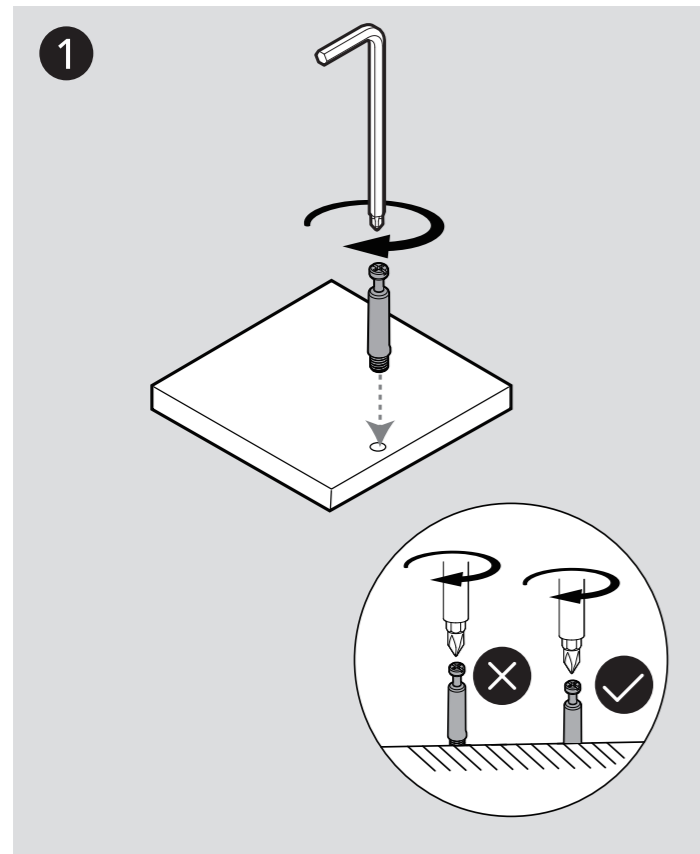
# HARDWARE KIT

 The plus numbers are the additional parts provided in case of missing or damaged ones.

 <b>A x40 +3</b>	 <b>B x40 +3</b>	 φ 6*30mm <b>C x42 +3</b>	 M4*35mm <b>D x9 +2</b>	 M4*50mm <b>E x2</b>
 <b>F x2</b>	 <b>G x12 +2</b>	 M3*16mm <b>H x16 +3</b>	 M3*12mm <b>I x24 +3</b>	 <b>J x1 +1</b>
 M4*10mm <b>K x1 +1</b>	 <b>L x1 +1</b>	 <b>M x2</b>	 M4*12mm <b>N x1</b>	 <b>O x1</b>
 <b>P x2</b>	 <b>Q x2</b>	 <b>R x12 +2</b>	 <b>S x1</b>	
 <b>T x1</b>	 M4*18mm <b>U x2</b>	 <b>V x40 +3</b>	 M4 <b>W x1</b>	

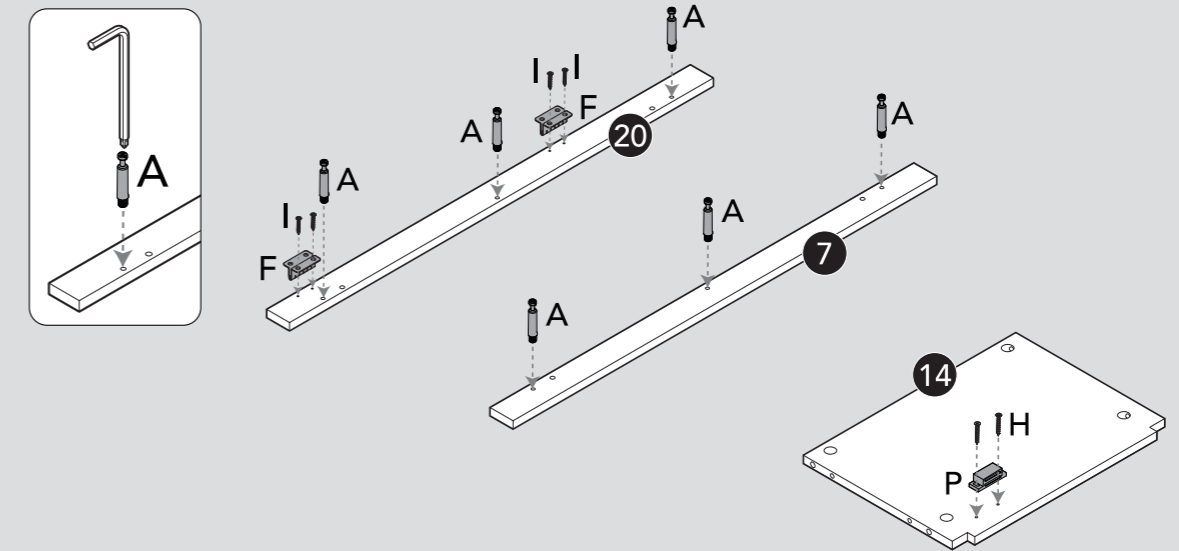
# CAM LOCK FASTEN SYSTEM

 Insert the cam bolt into the hole, then insert the cam lock and tighten.

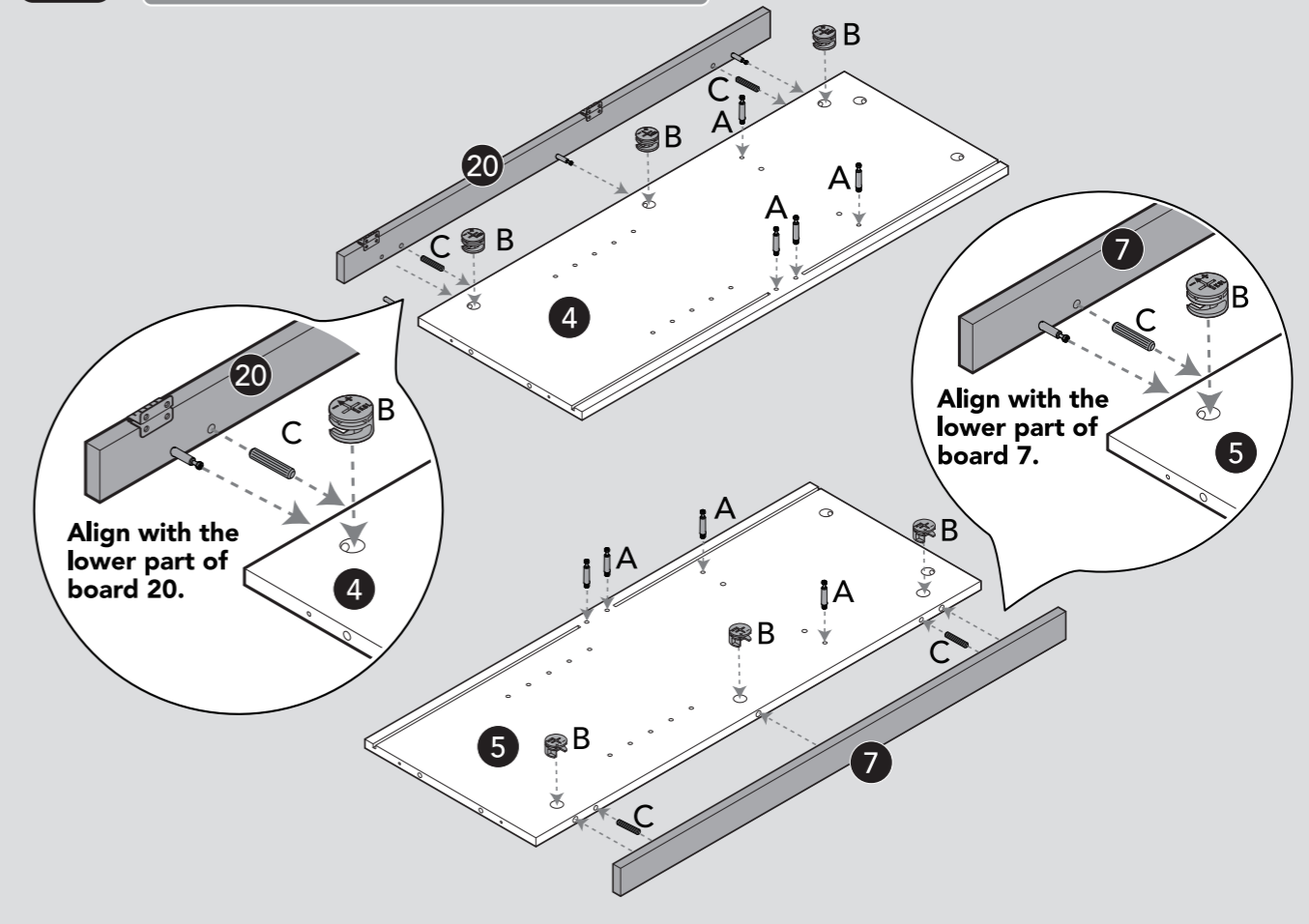


# ASSEMBLY

**01**  A x6  P x1  H x2  I x4  F x2

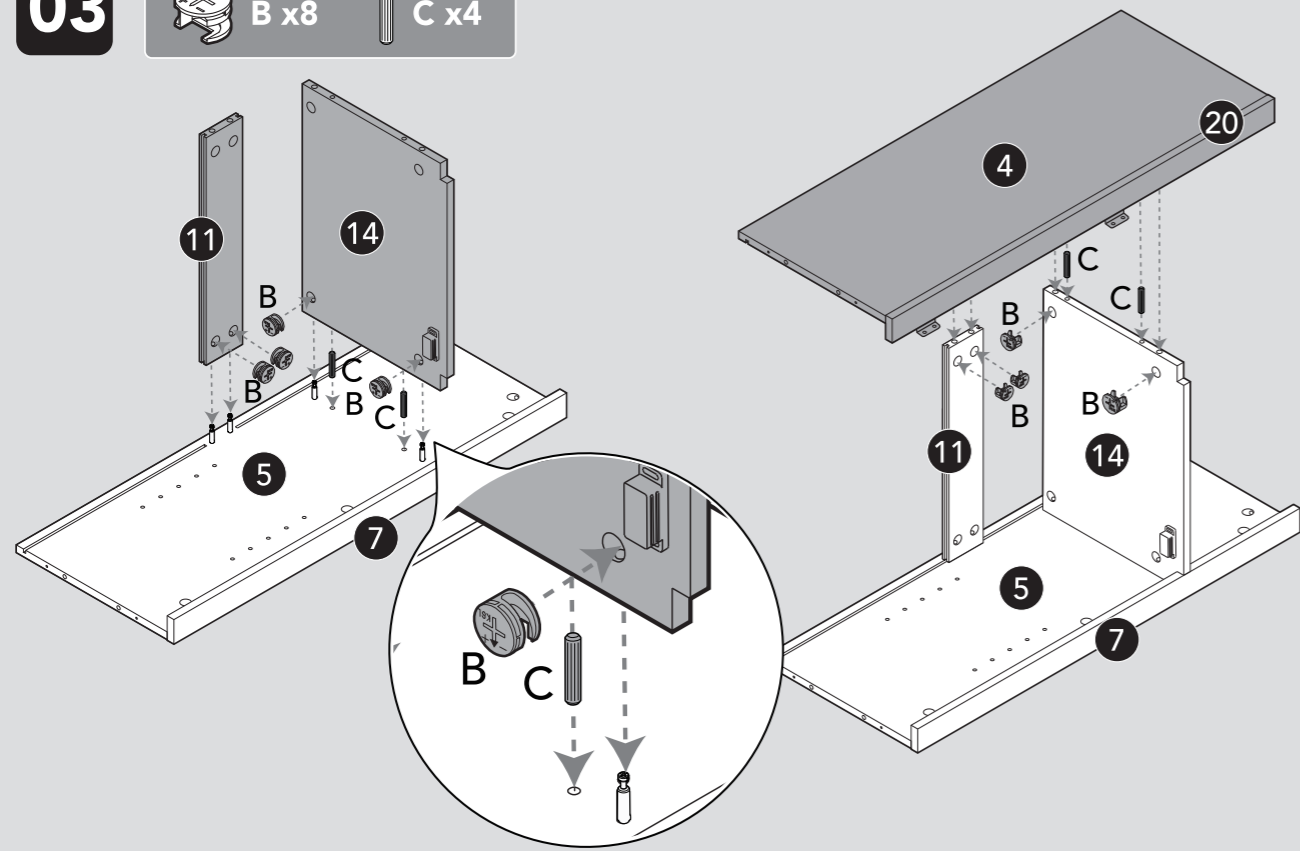


**02**  A x8  B x6  C x4



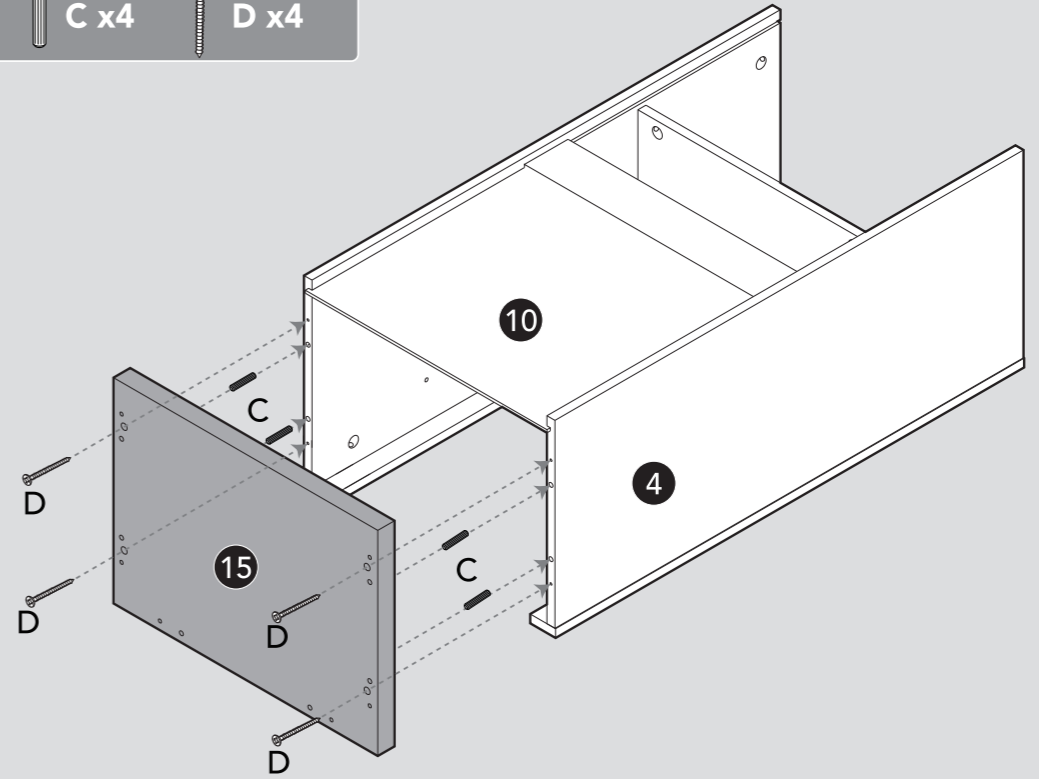
03

B x8 C x4

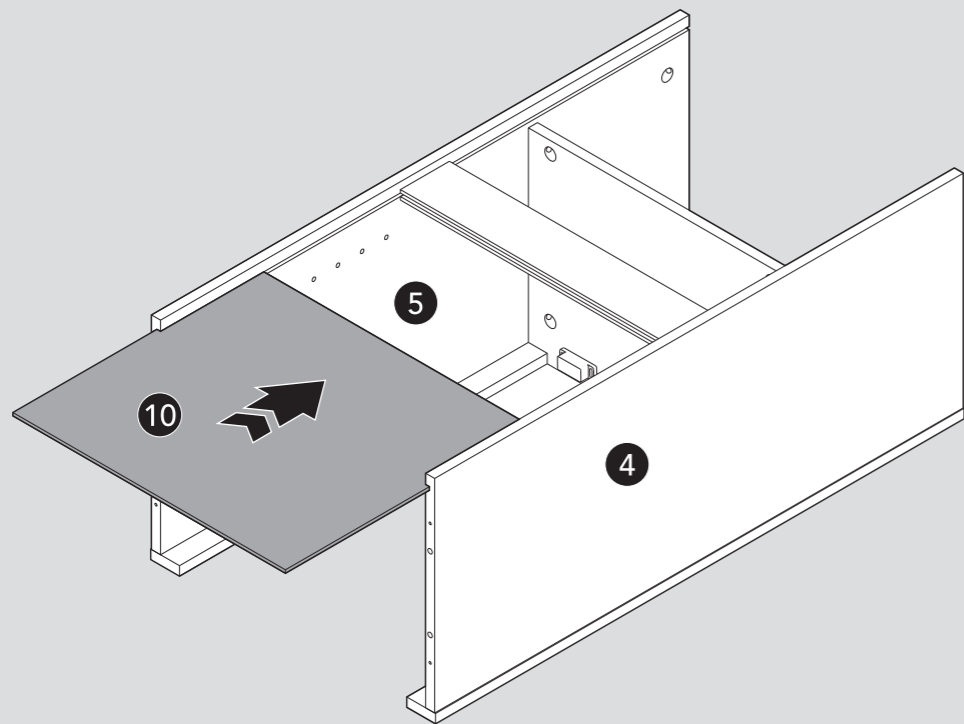


05

C x4 D x4

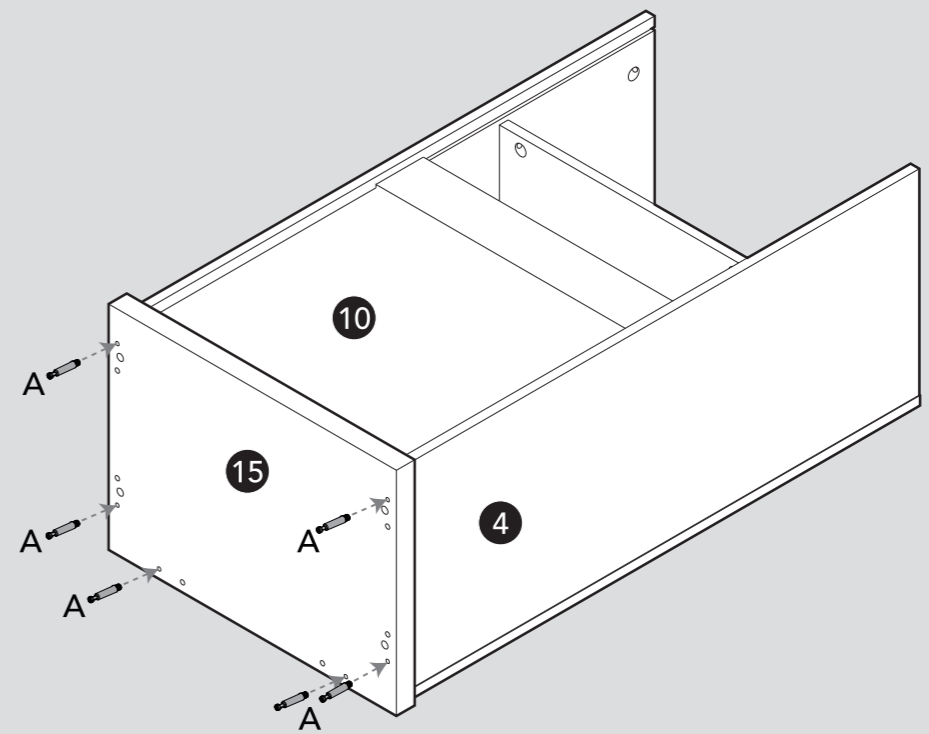


04



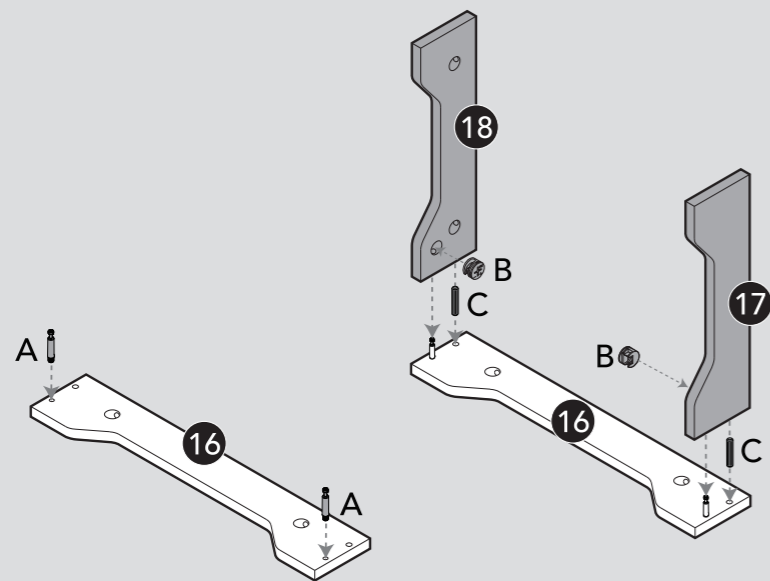
06

A x6

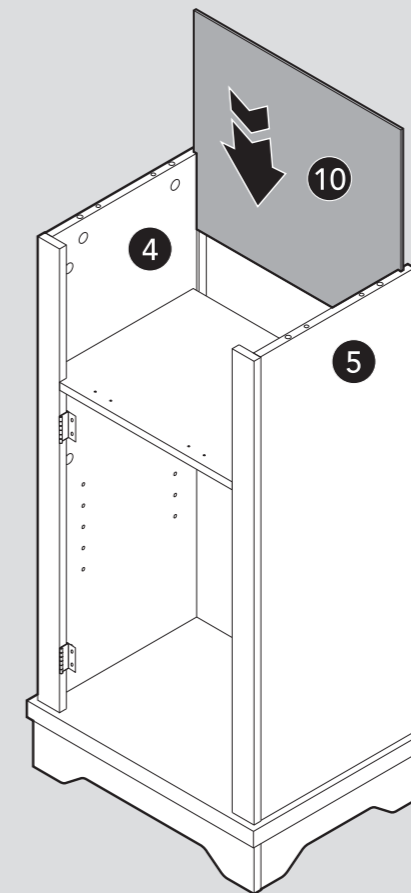


07

A x2 B x2 C x2

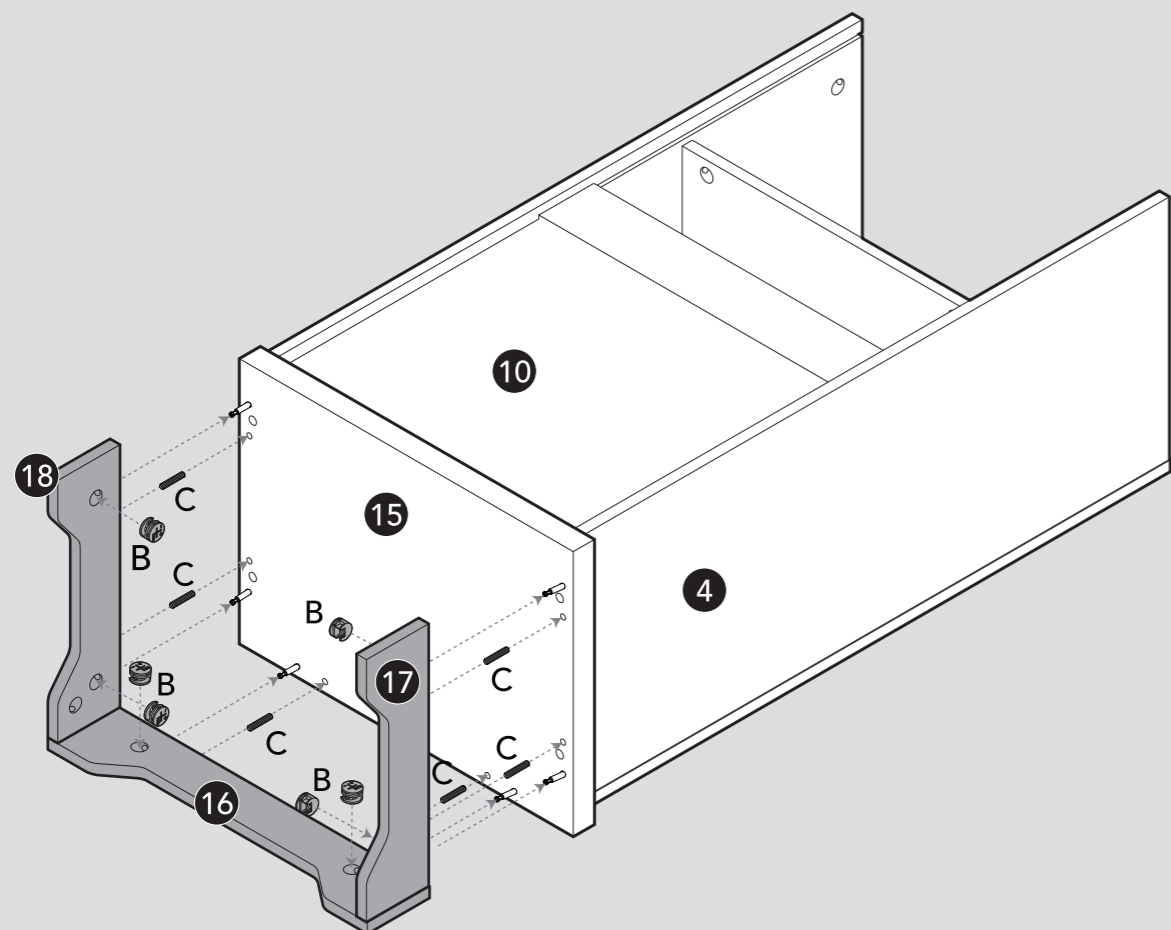


09



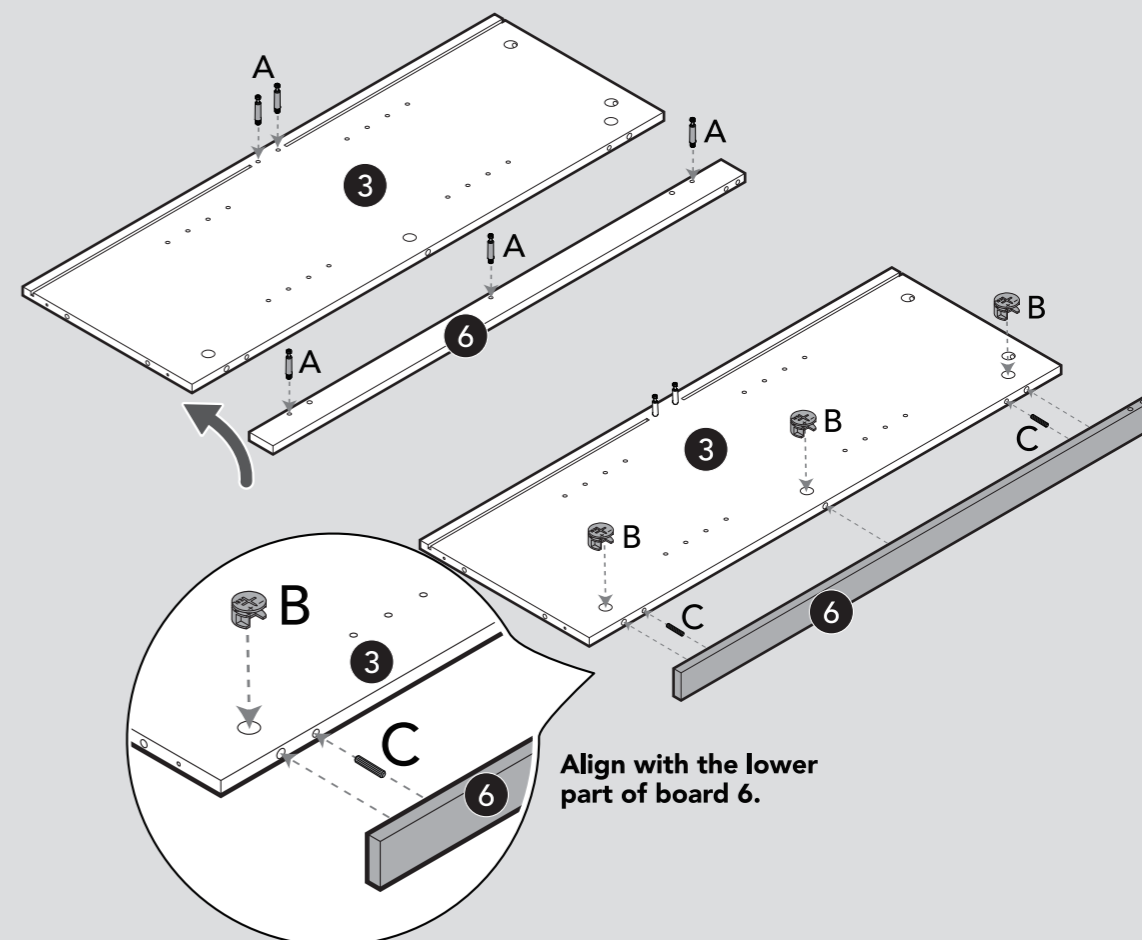
08

B x6 C x6



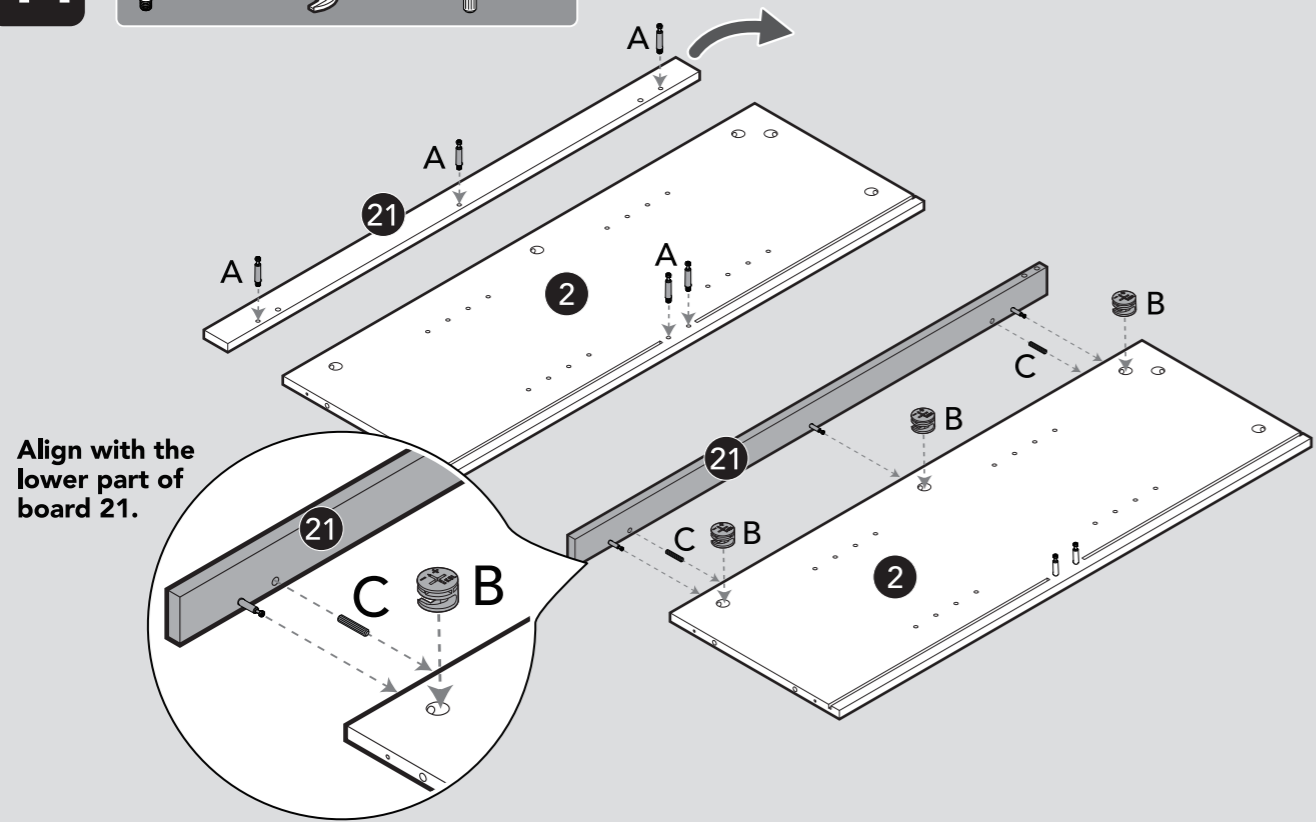
10

A x5 B x3 C x2

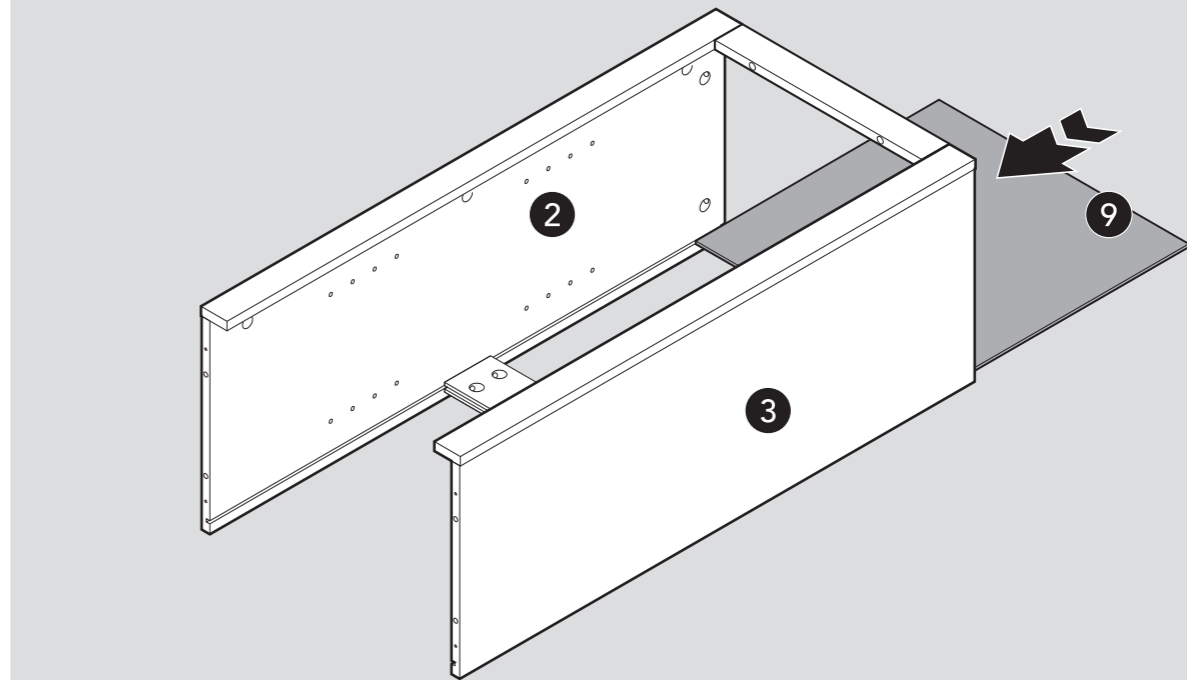


11

A x5 B x3 C x2



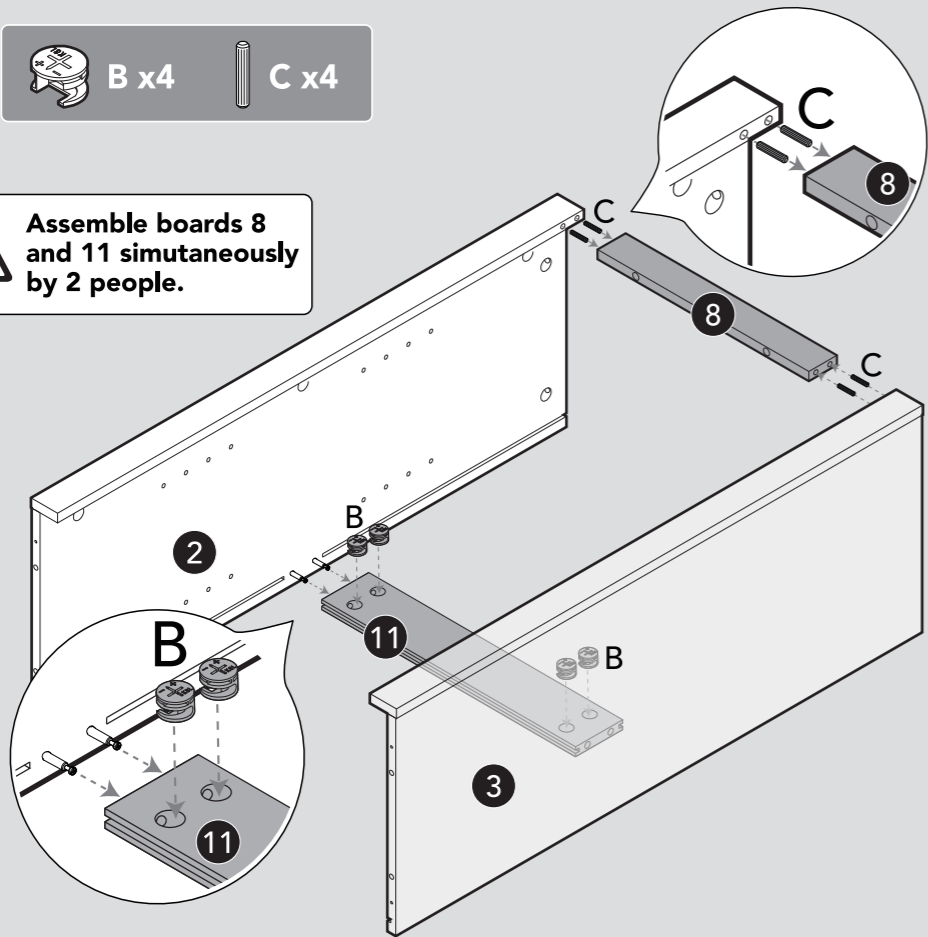
13



12

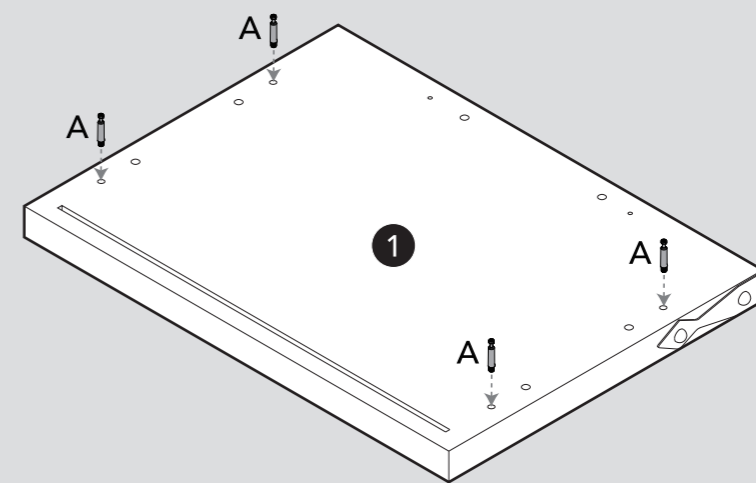
B x4 C x4

⚠ Assemble boards 8 and 11 simultaneously by 2 people.



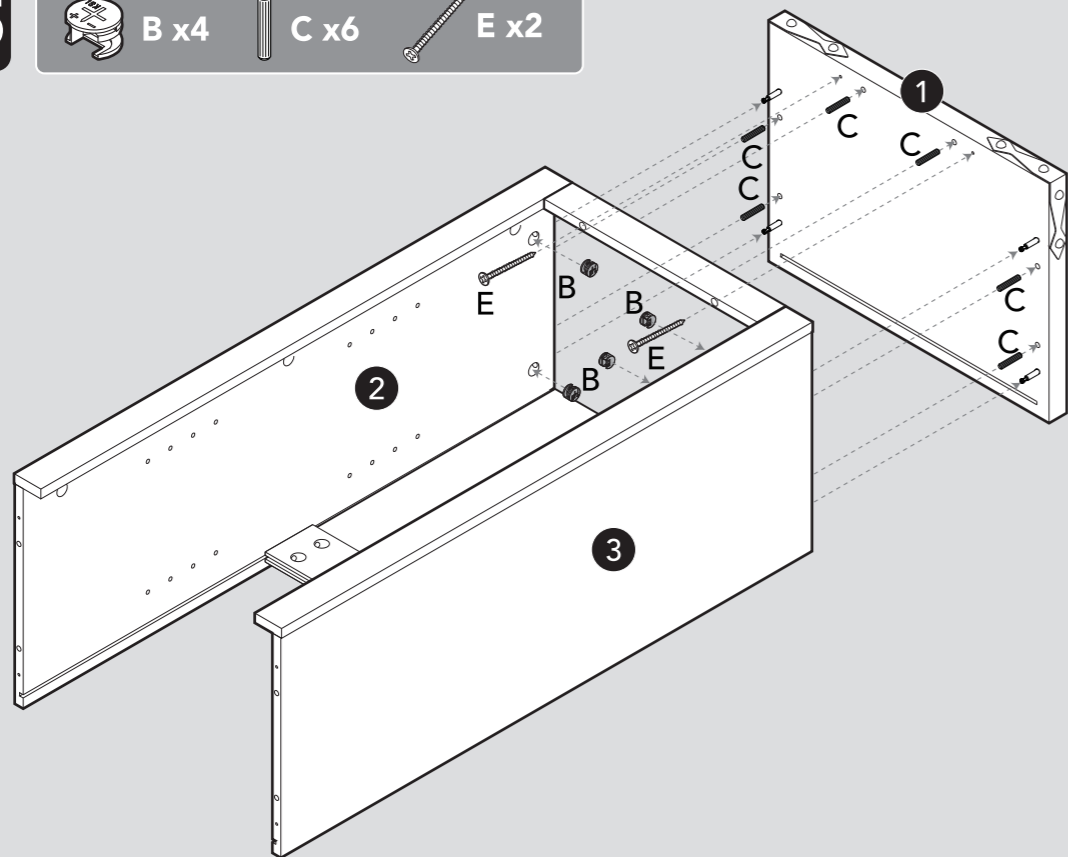
14

A x4

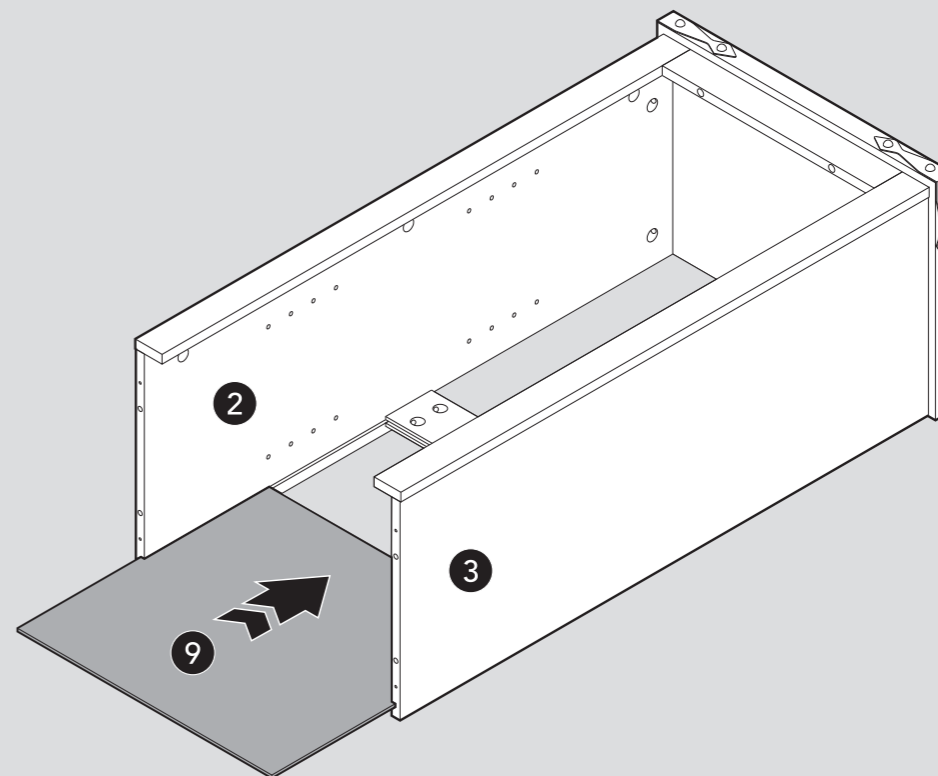


15

B x4 C x6 E x2

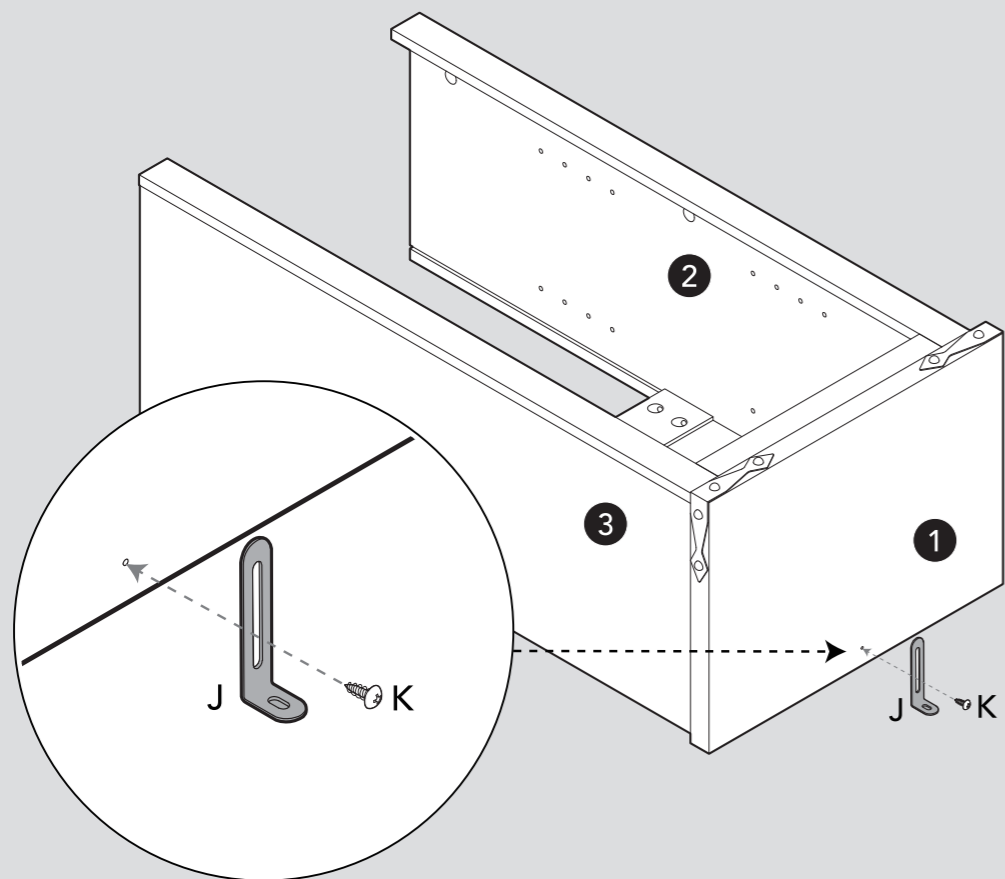


17



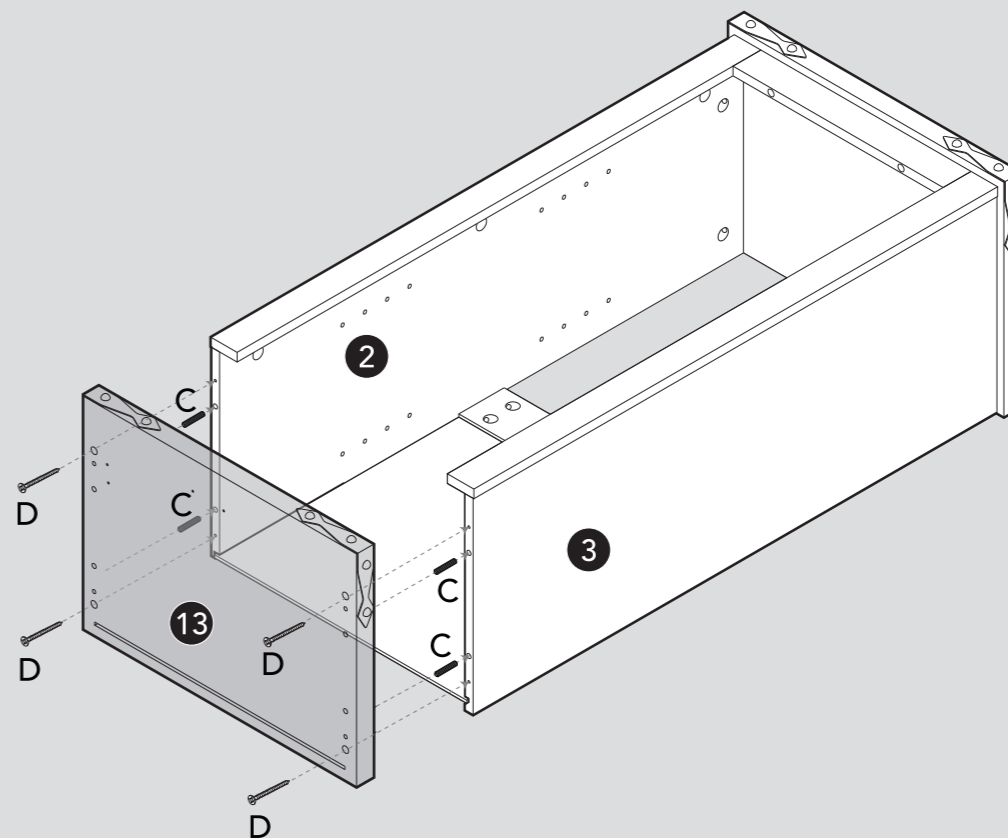
16

J x1 K x1



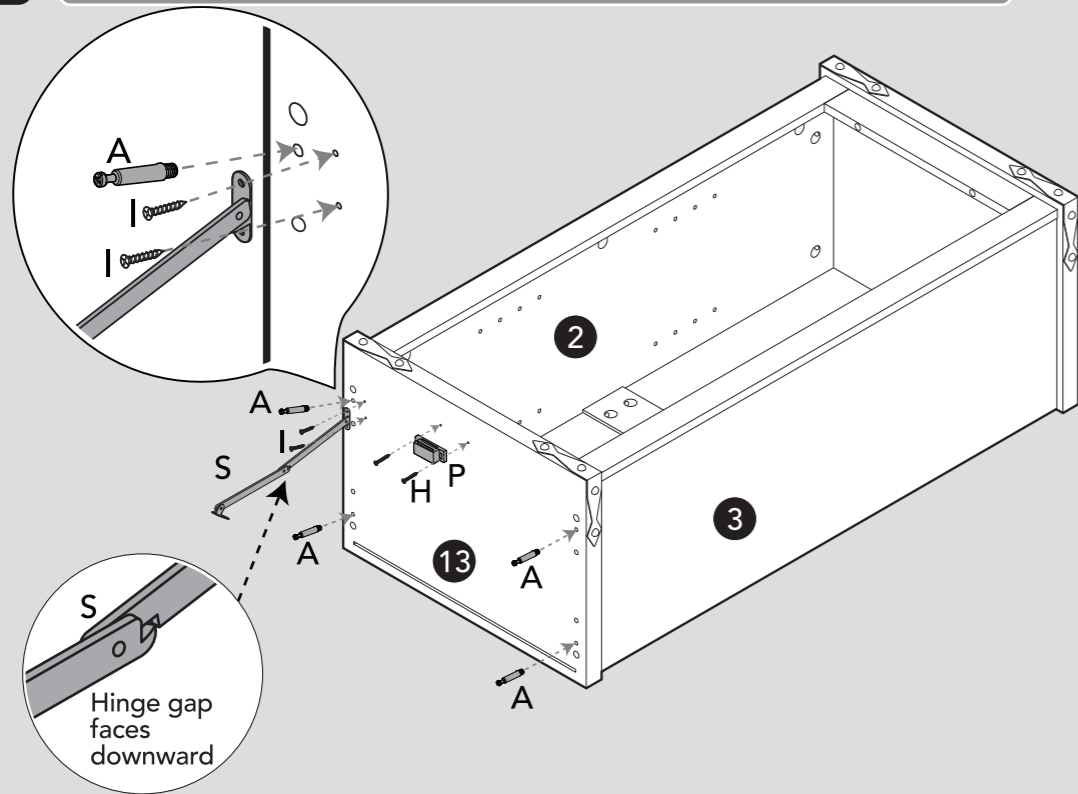
18

D x4 C x4



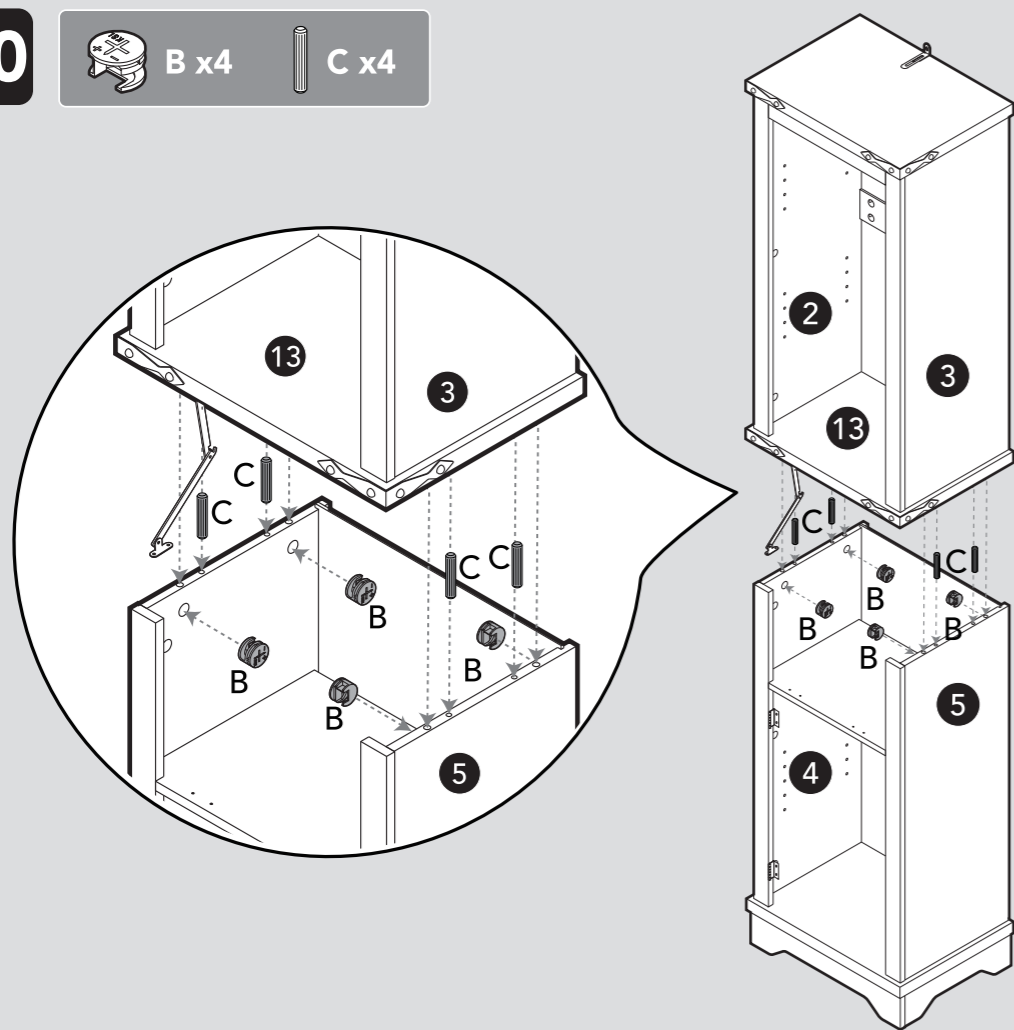
19

A x4 P x1 I x2 H x2 S x1



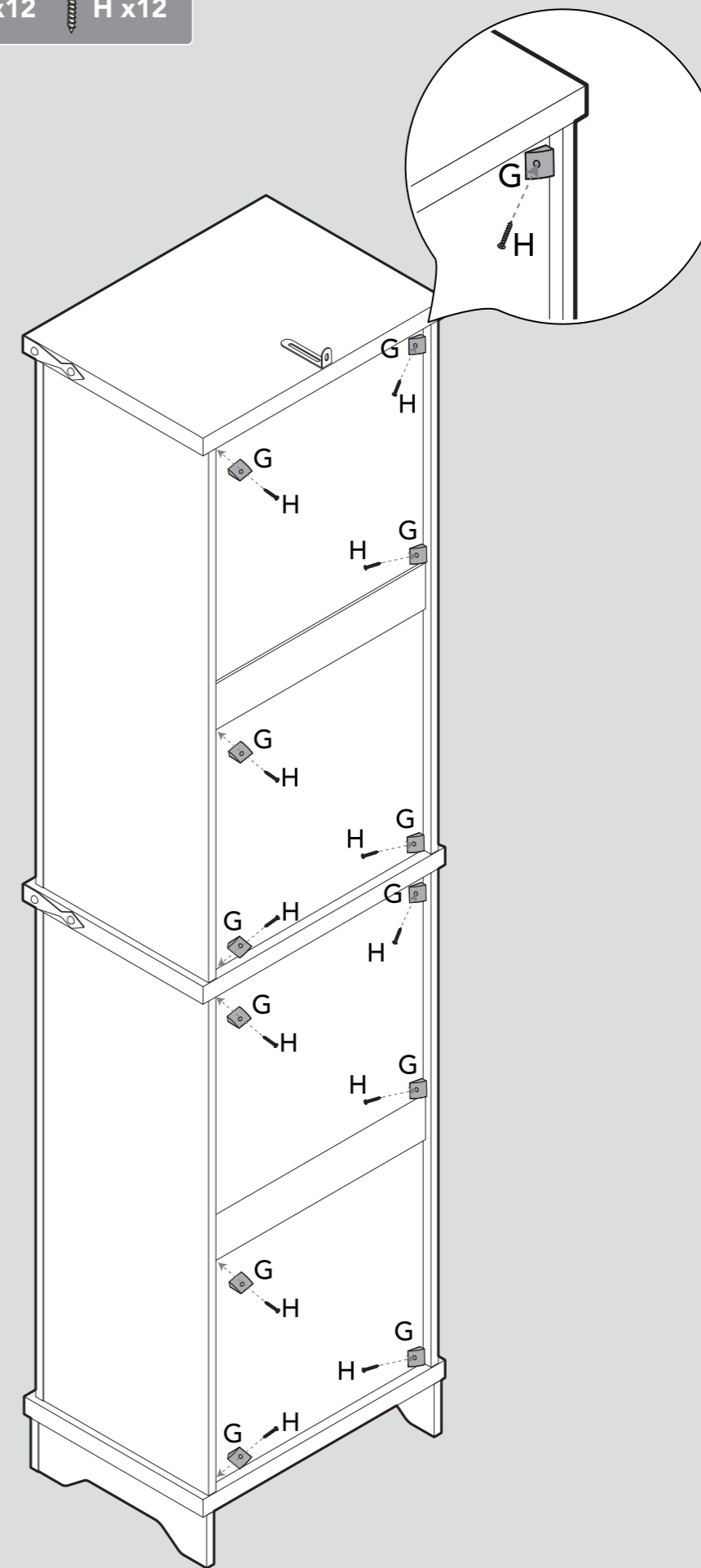
20

B x4 C x4



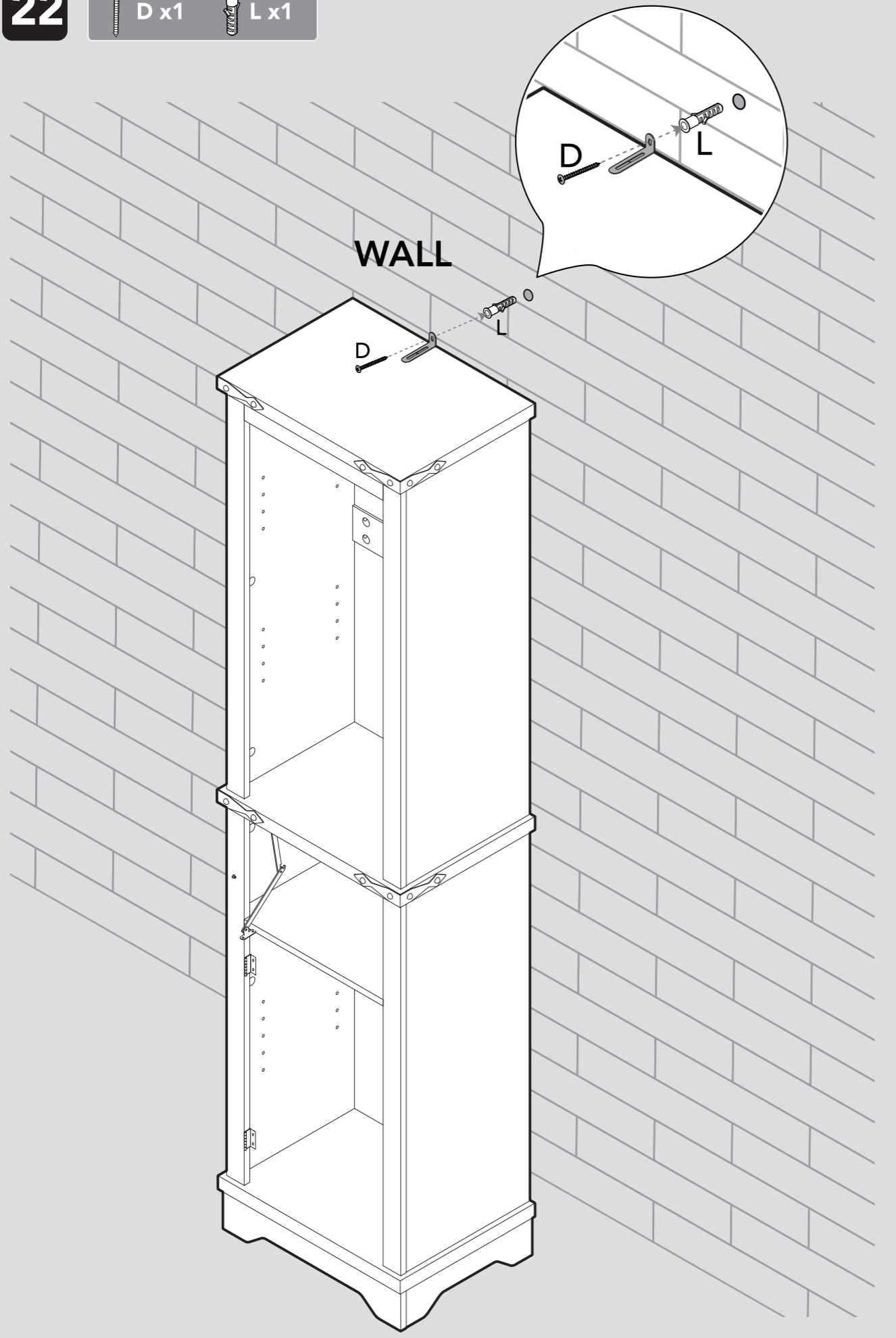
21

G x12 H x12



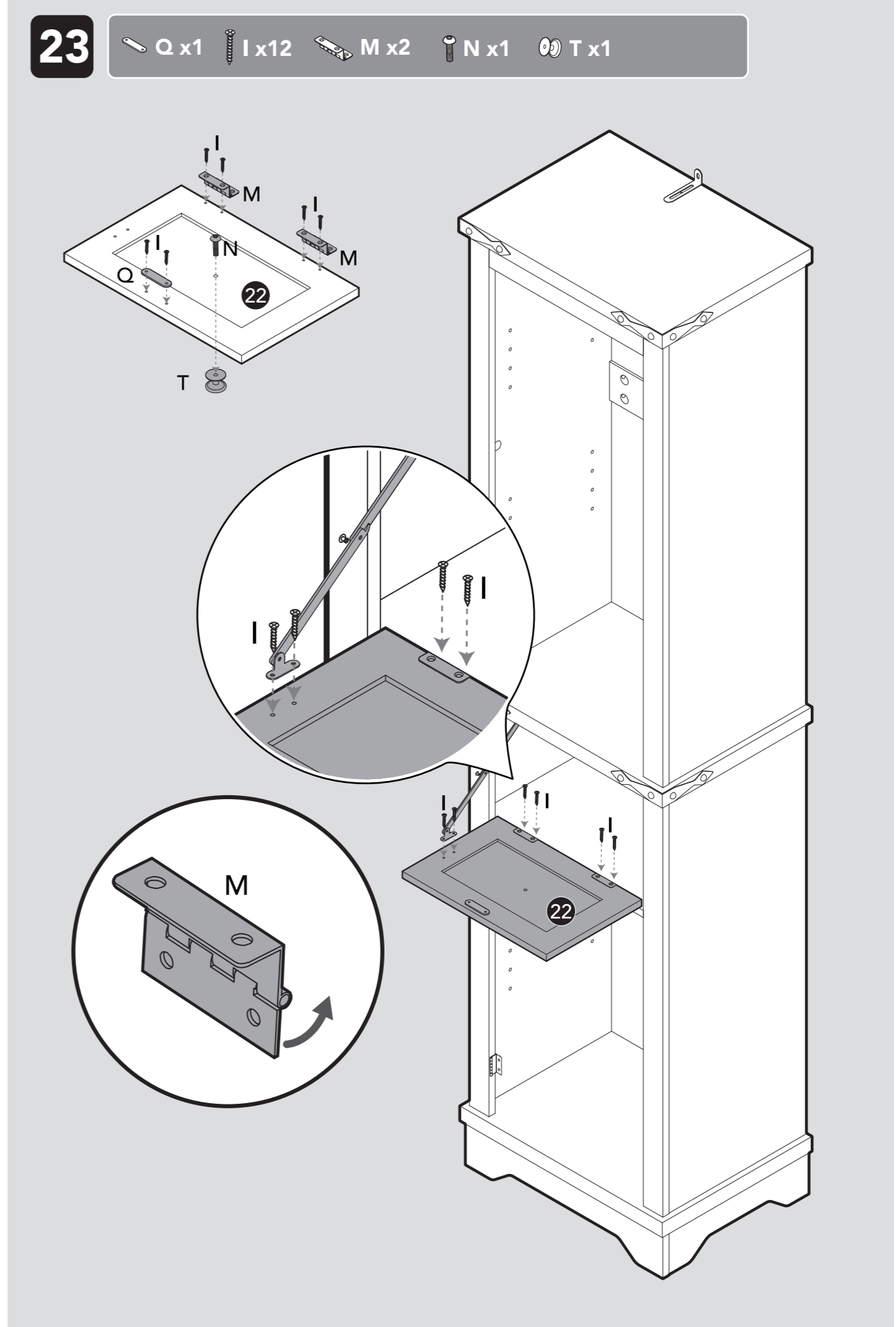
22

D x1 L x1



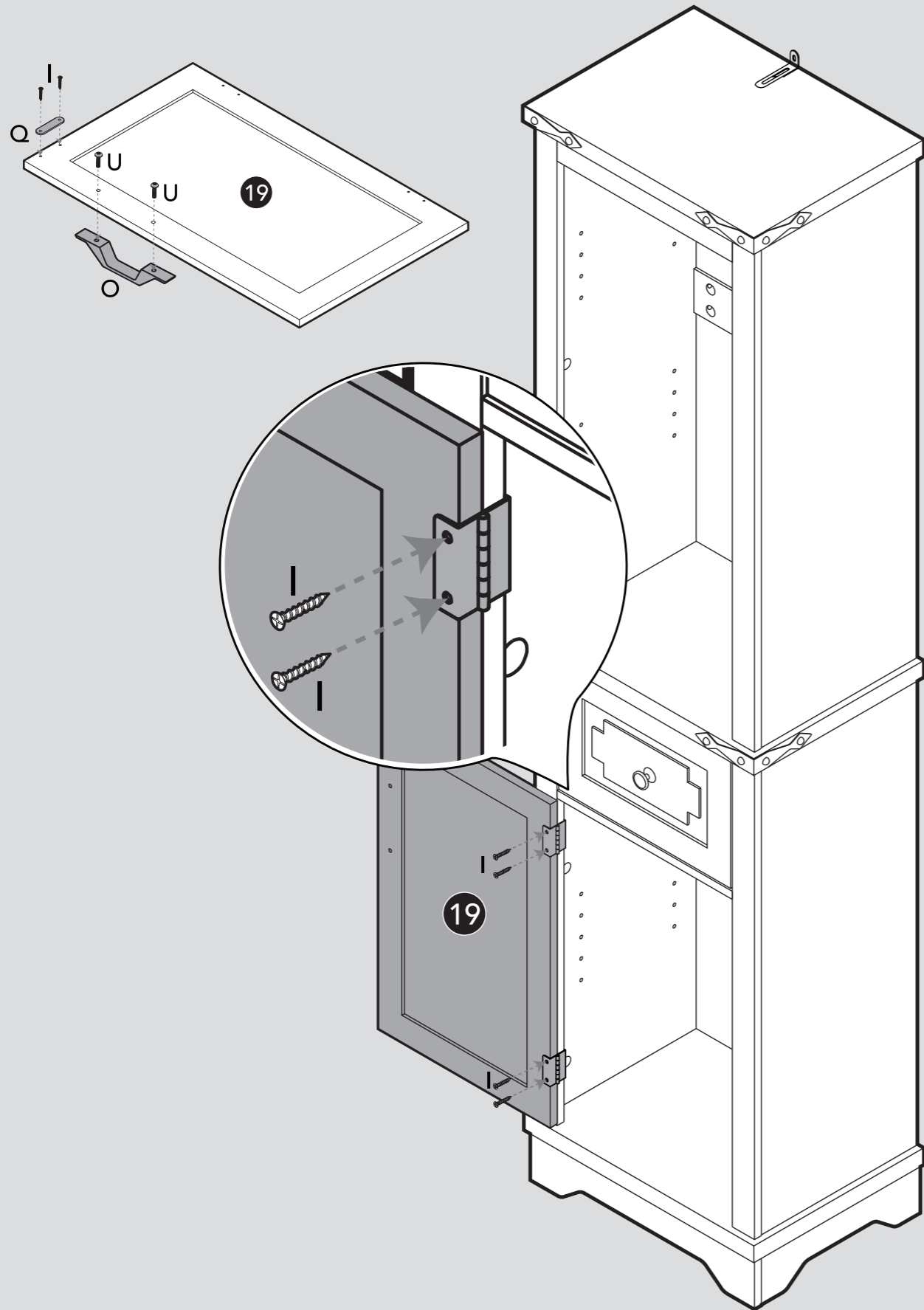
23

Q x1 I x12 M x2 N x1 T x1



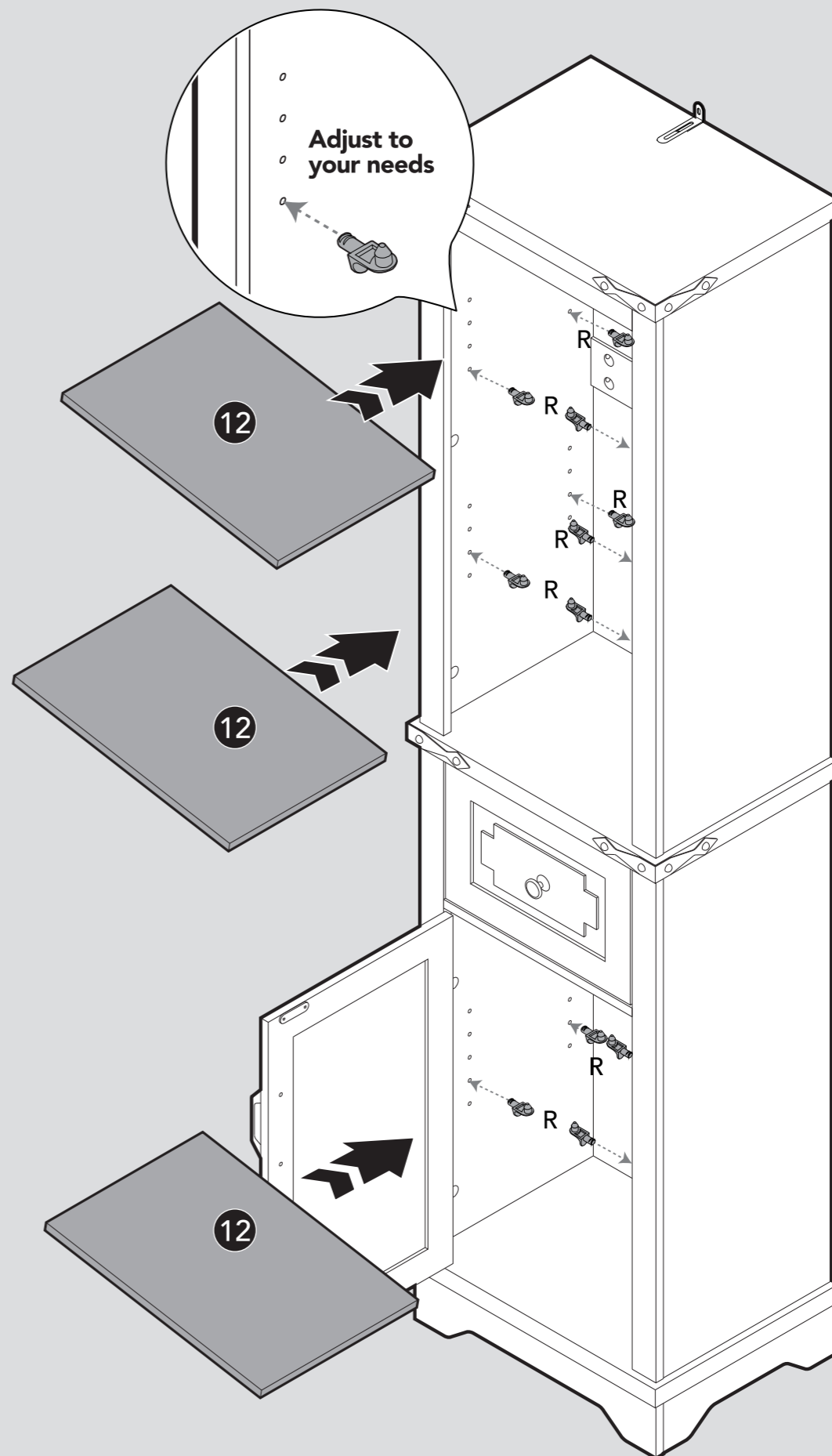
24

Q x1 I x6 U x2 O x1




25

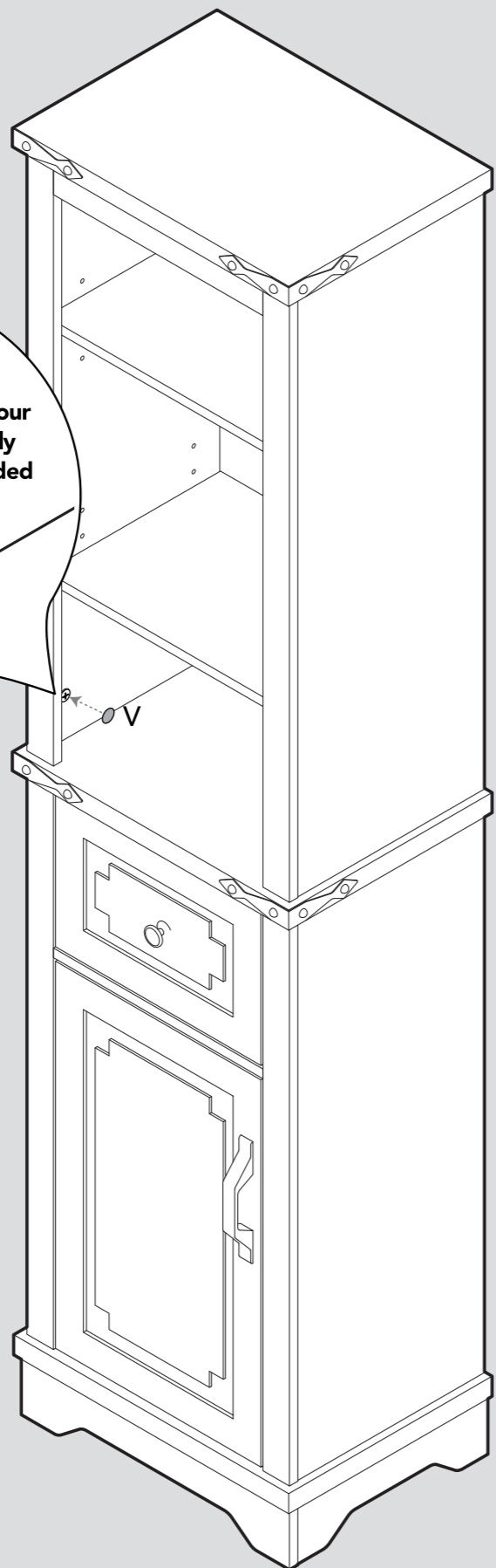
R x12



26

● V x40

  
**Attach the sticker to your needs. The sticker easily falls off after an extended period of time.**



成品尺寸：210\*297mm

骑马钉

材质：80g书纸

单色印刷