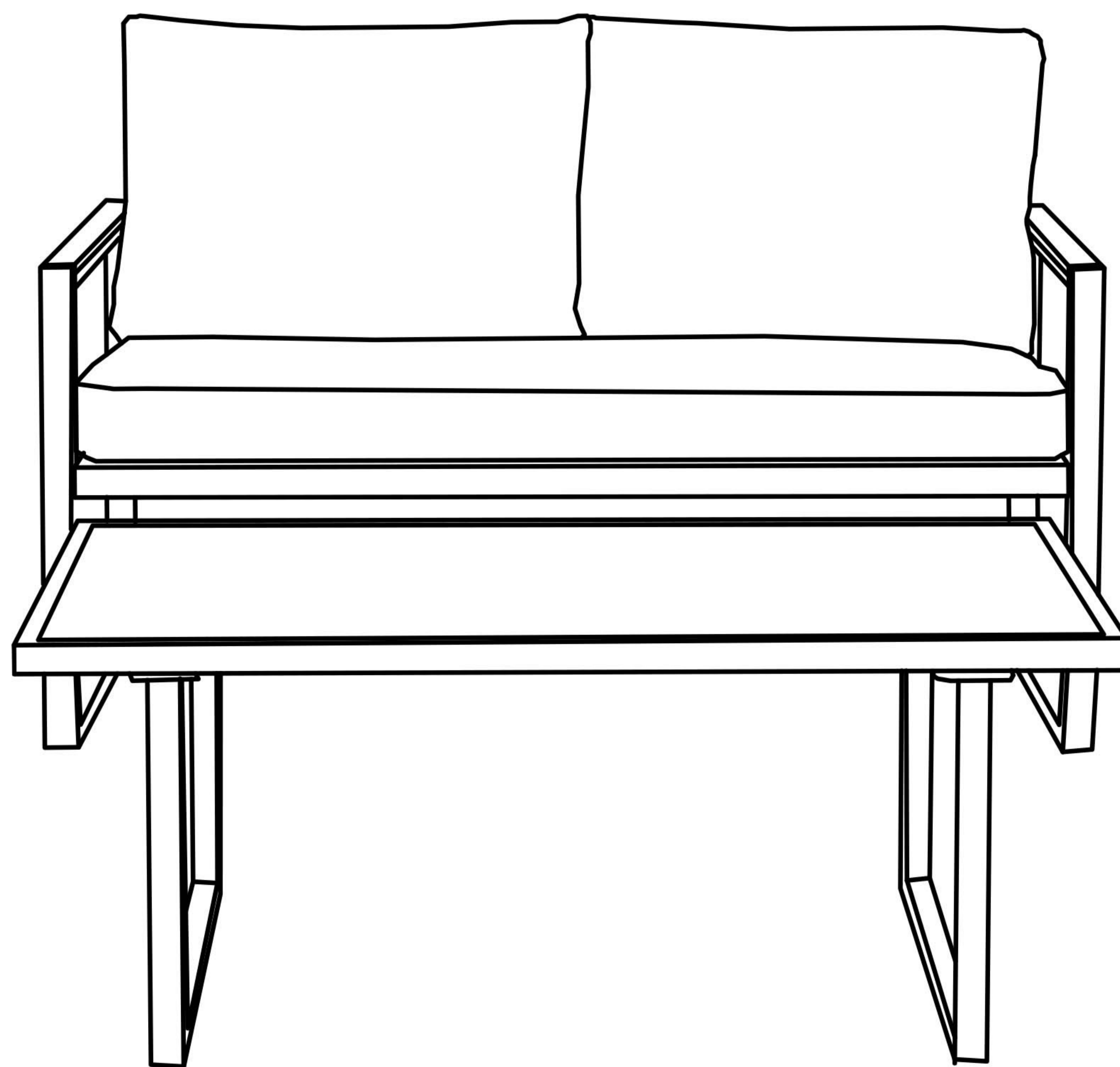


Aluminum Patio Furniture Set

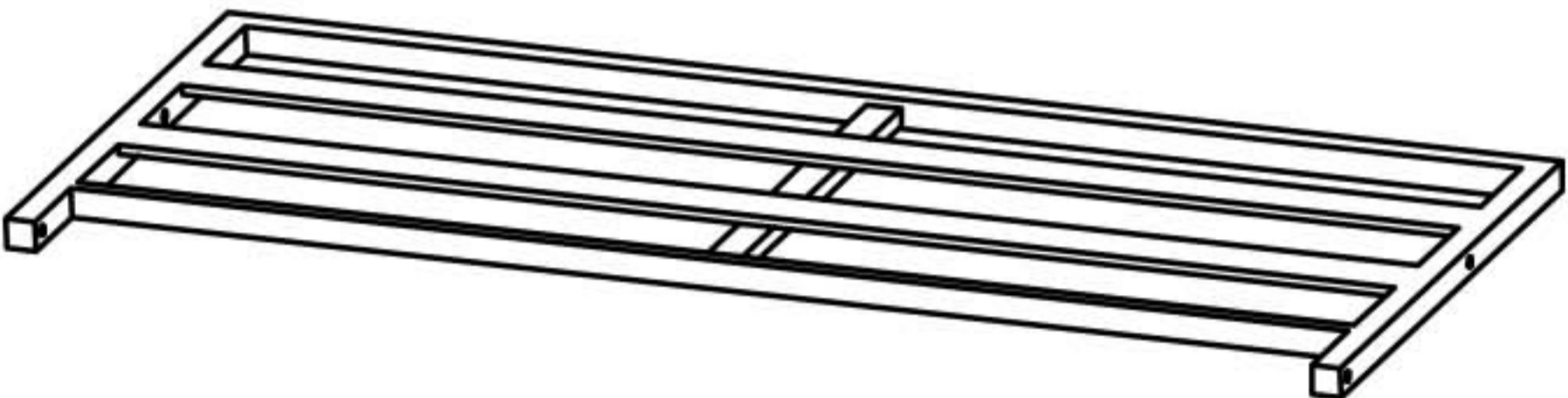
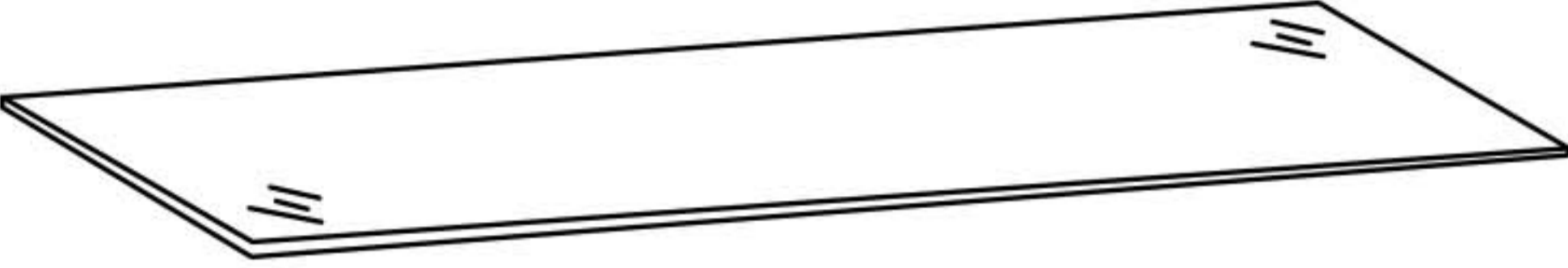
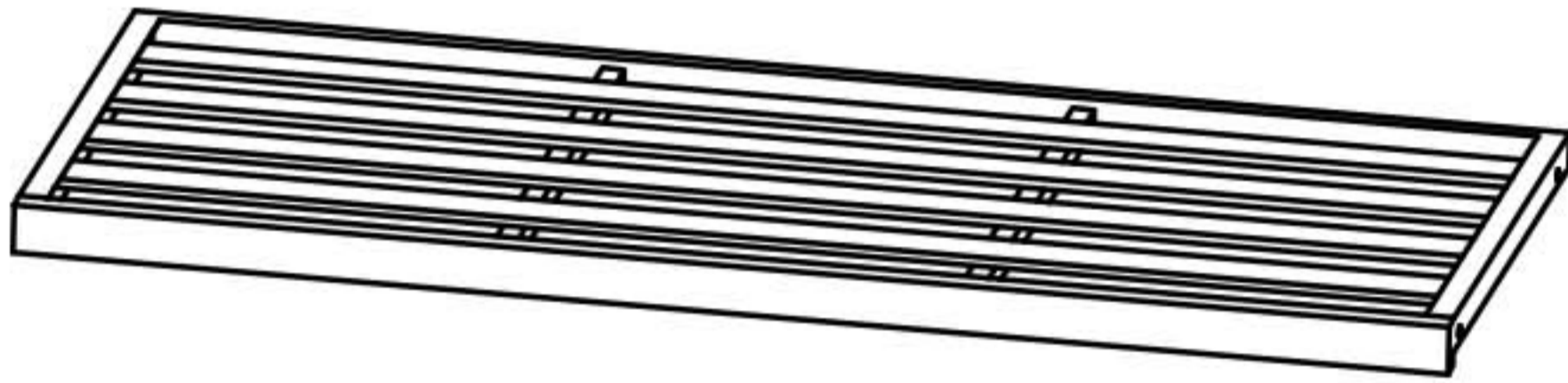
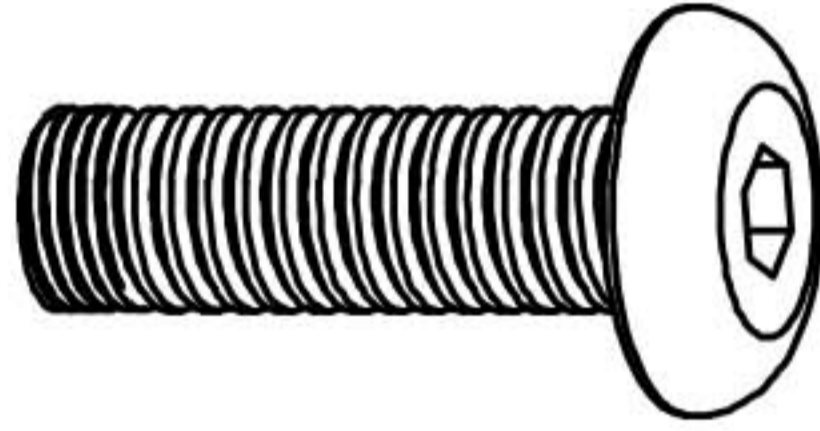
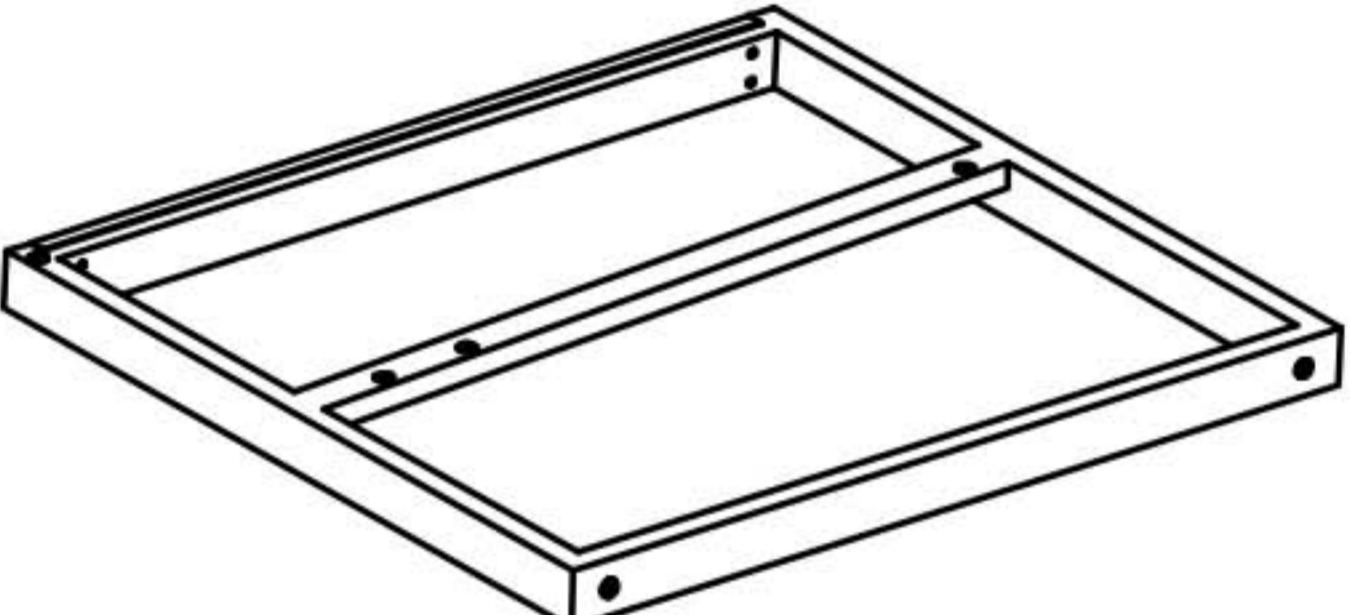
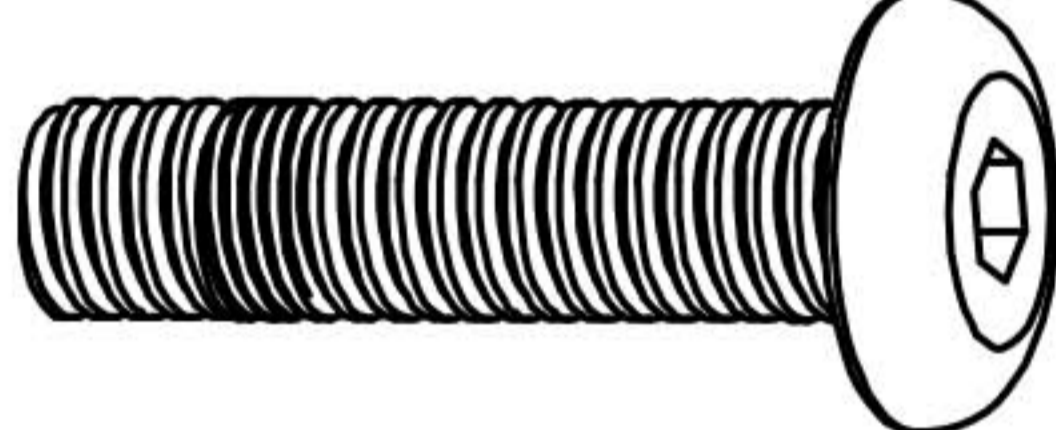
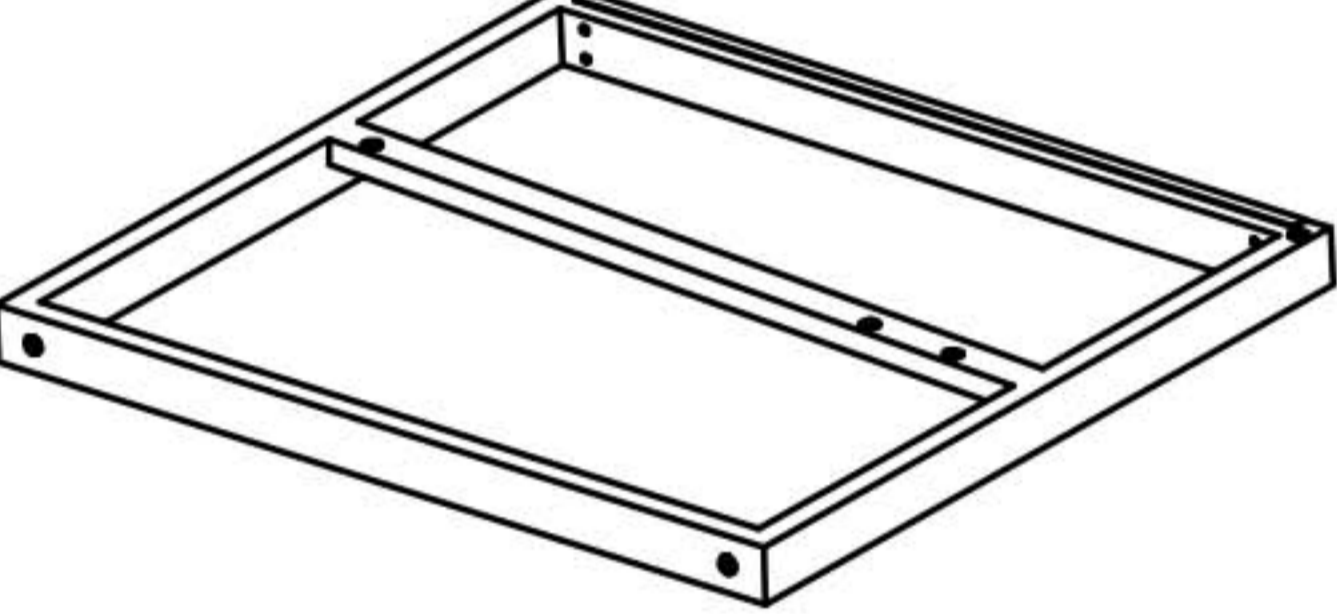
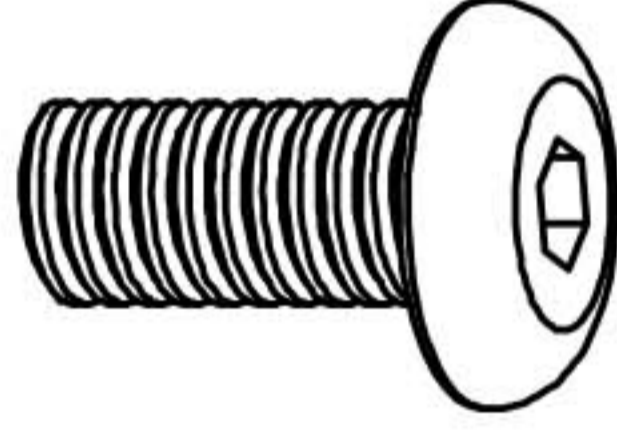
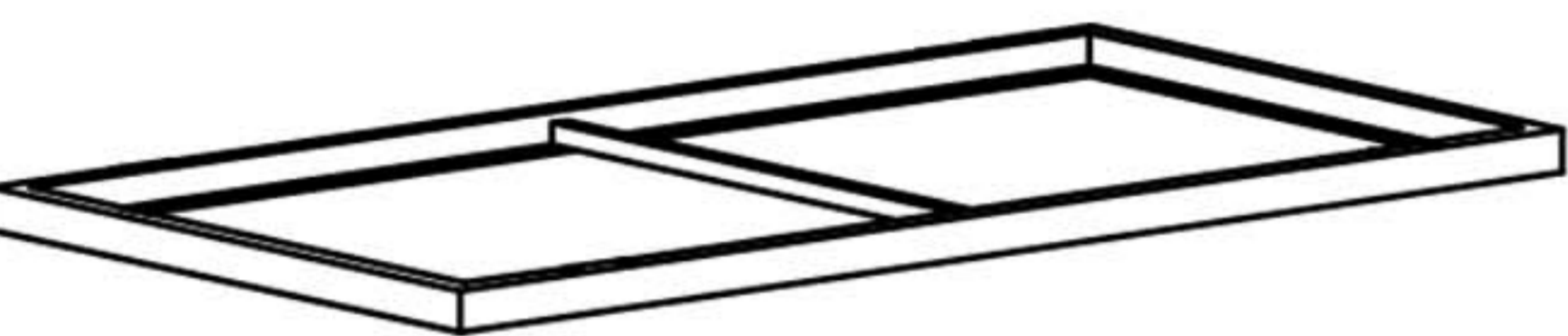
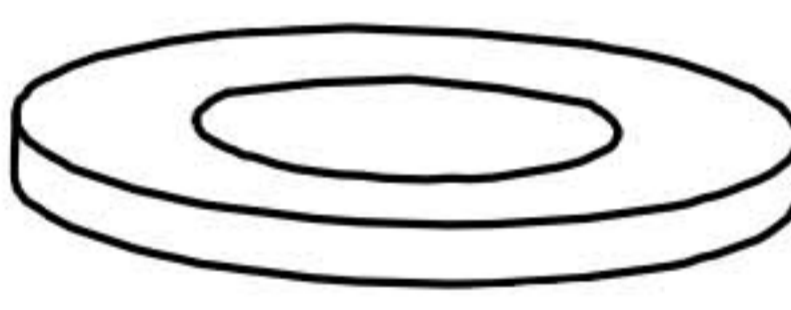
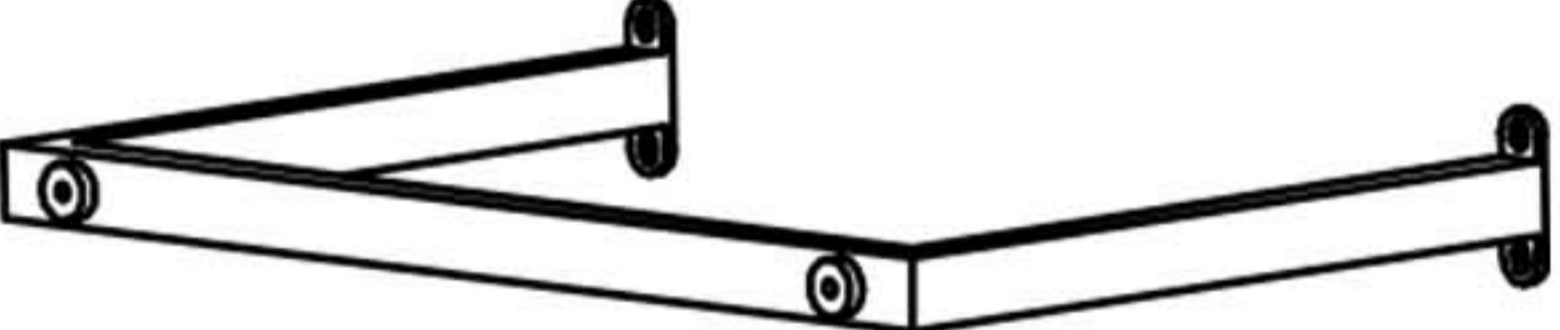
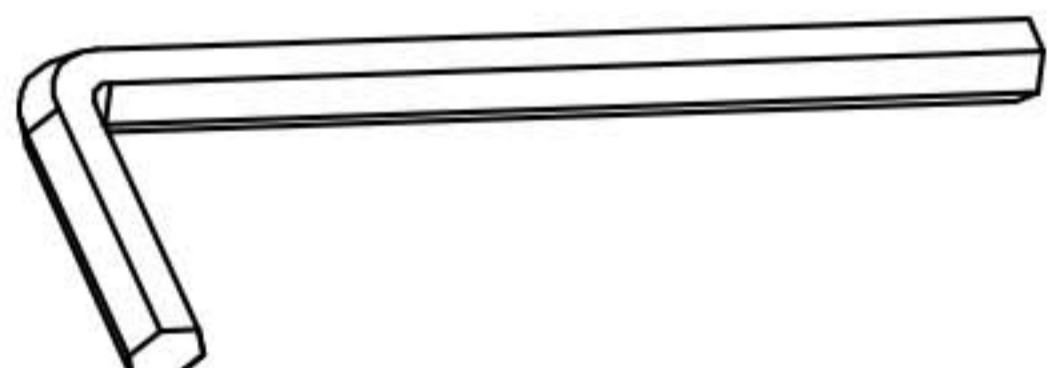
ASSEMBLY INSTRUCTIONS

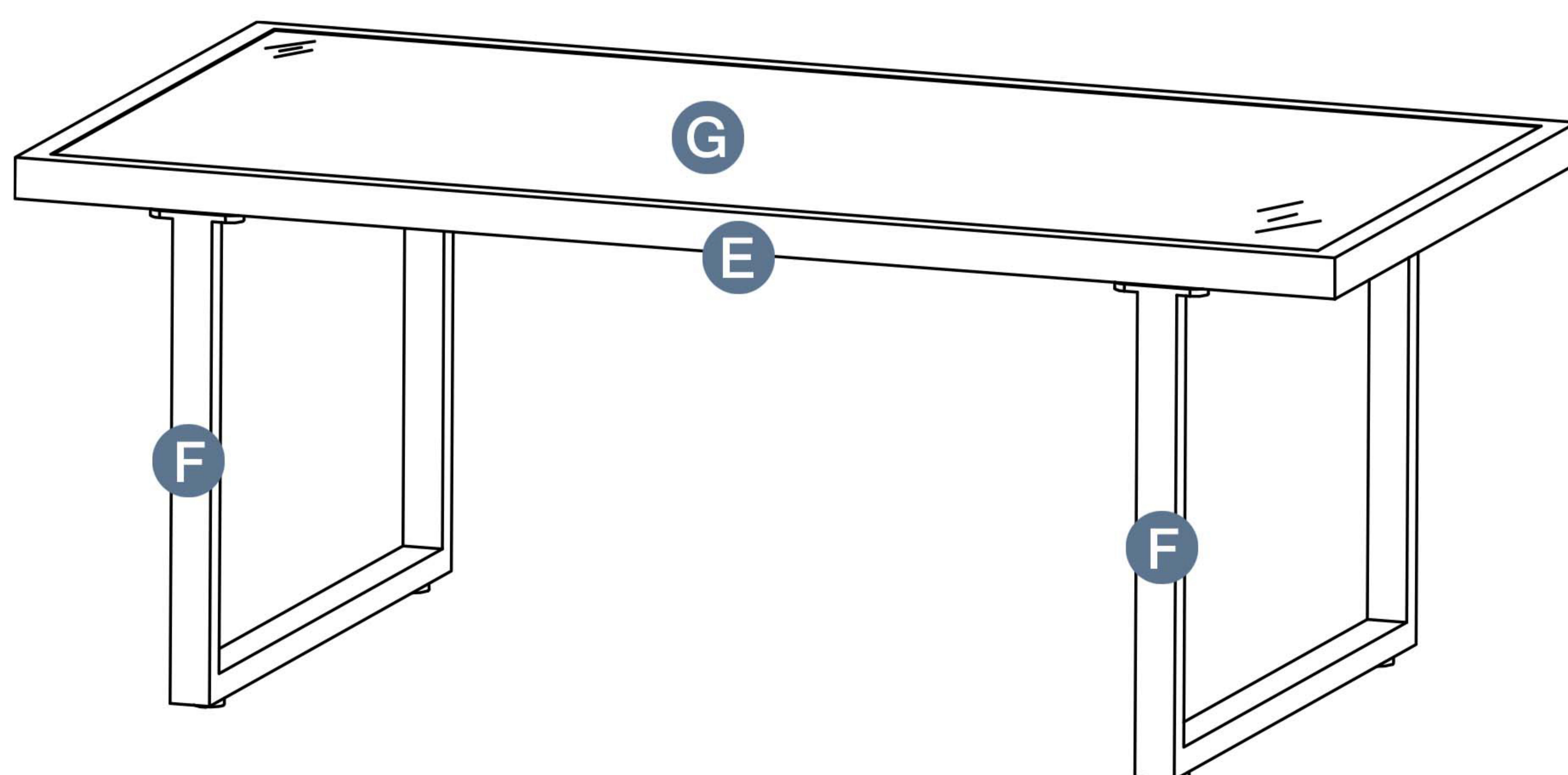
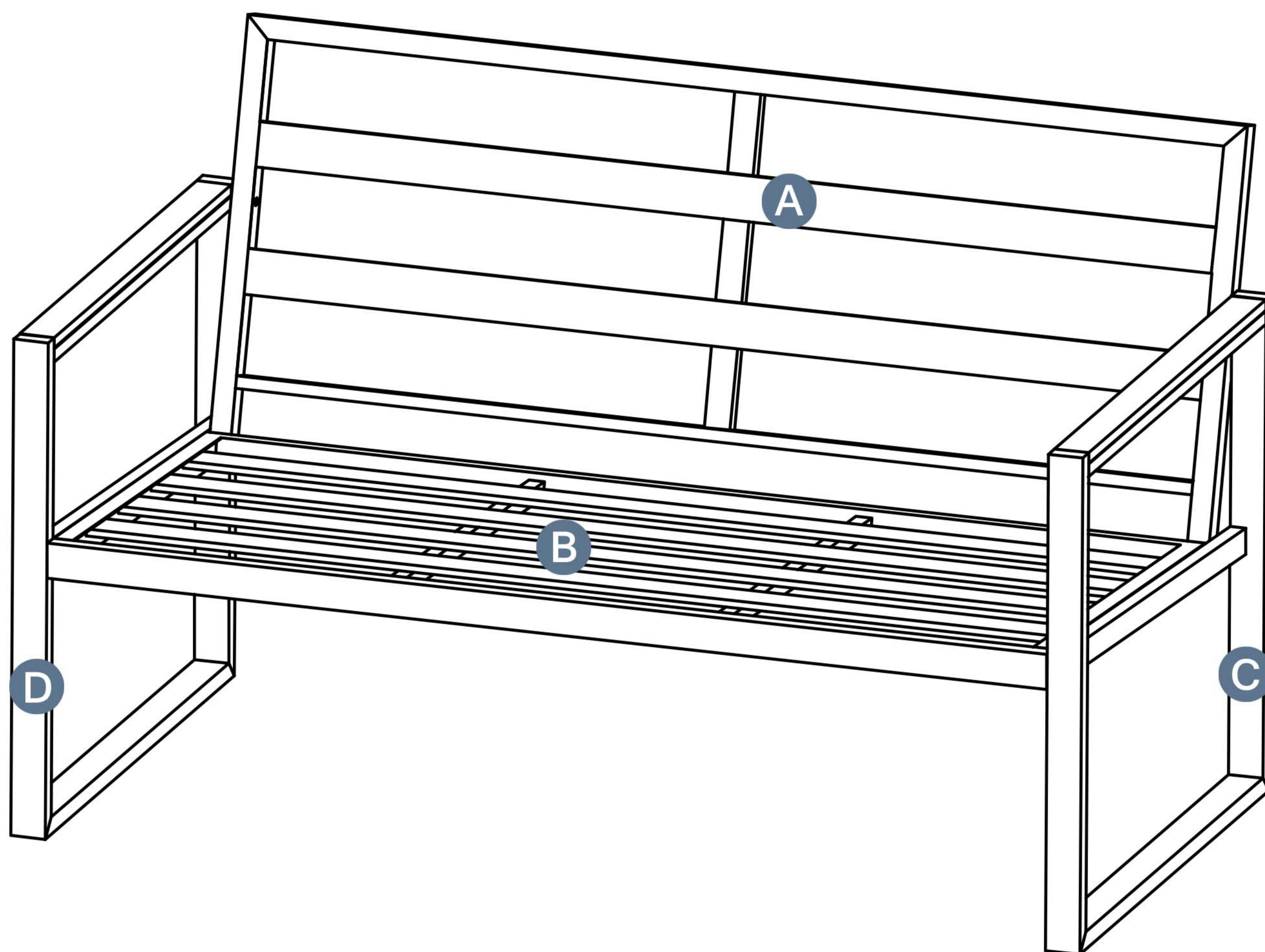


Please check the number of parts in the following accessory catalogue when unpacking. We have sent you more small parts for spare. If there is any missing or any questions about the installation. Please feel free to contact us. We will reply within 24 hours.

ACCESSORY CATALOGUE

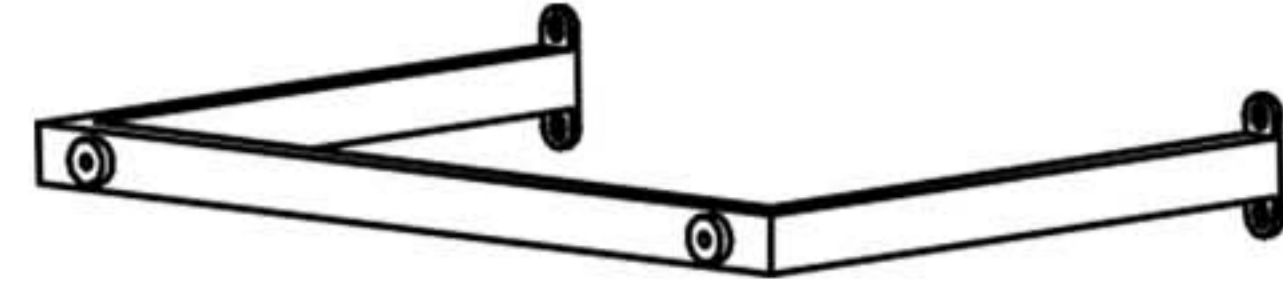
BOX

Item no.	Reference Image	Qty.	Item no.	Reference Image	Qty.
A		1	G		1
B		1	X1	 M6X30mm	4
C		1	X2	 M6X40mm	4
D		1	X3	 M6X20mm	8
E		1	Y		16
F		2	Z		1

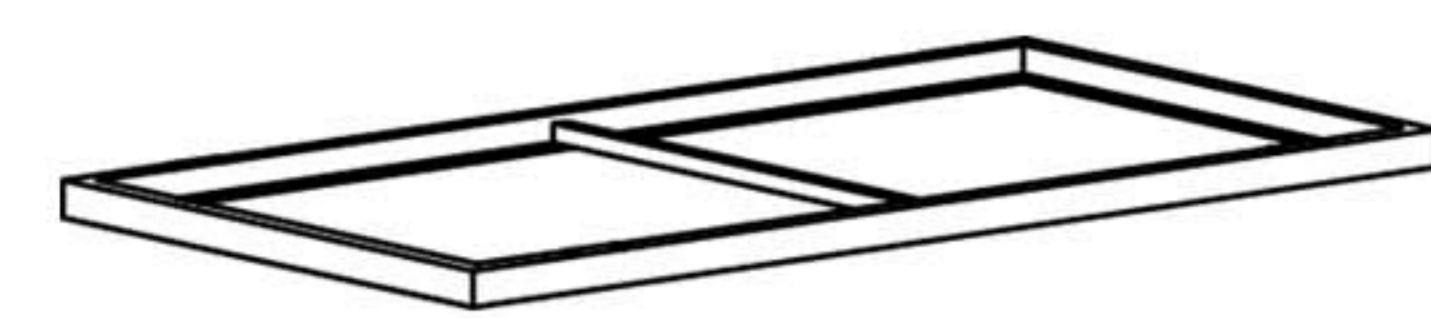


STEP 1

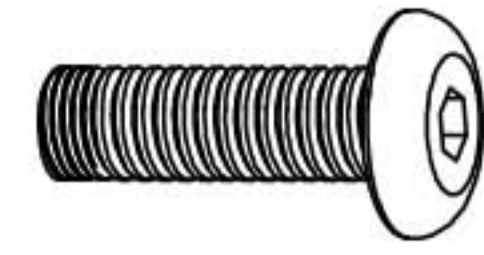
Parts required



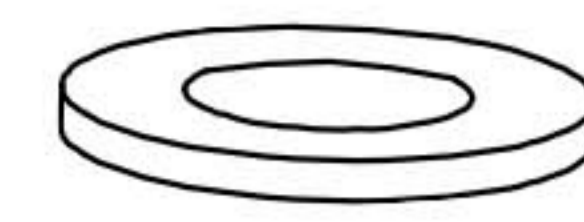
F 2pcs



E 1pcs



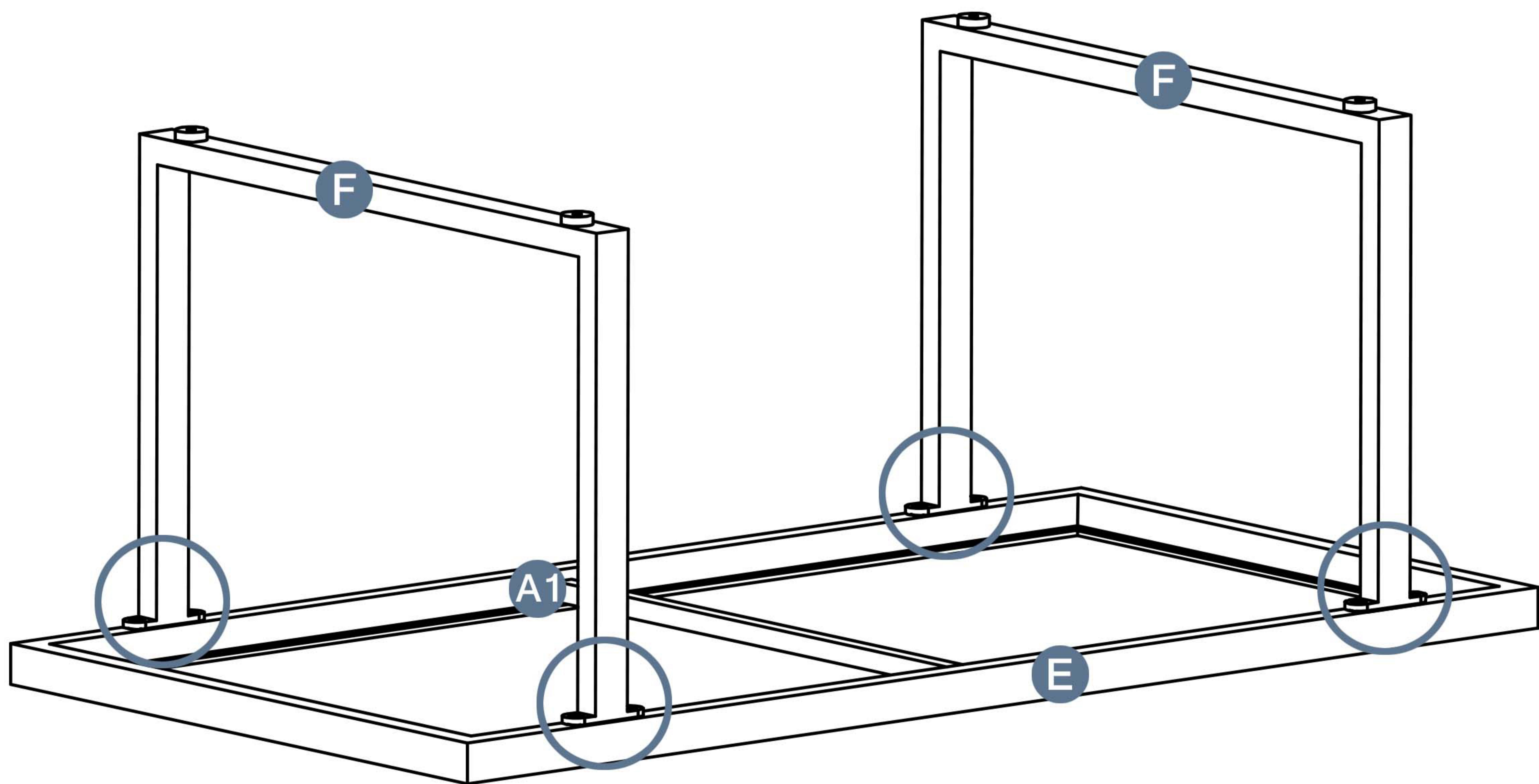
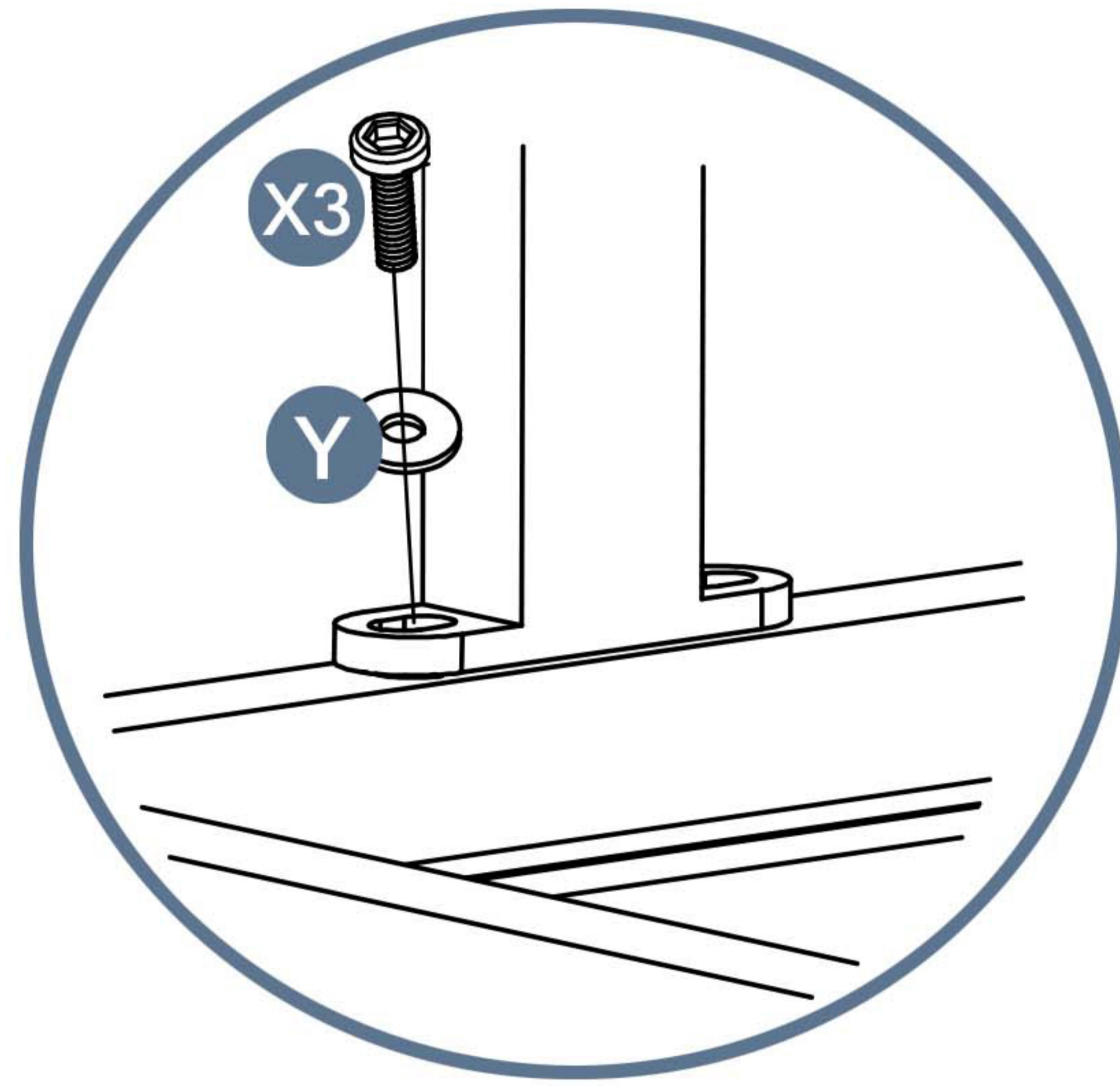
X3 8pcs



Y 8pcs

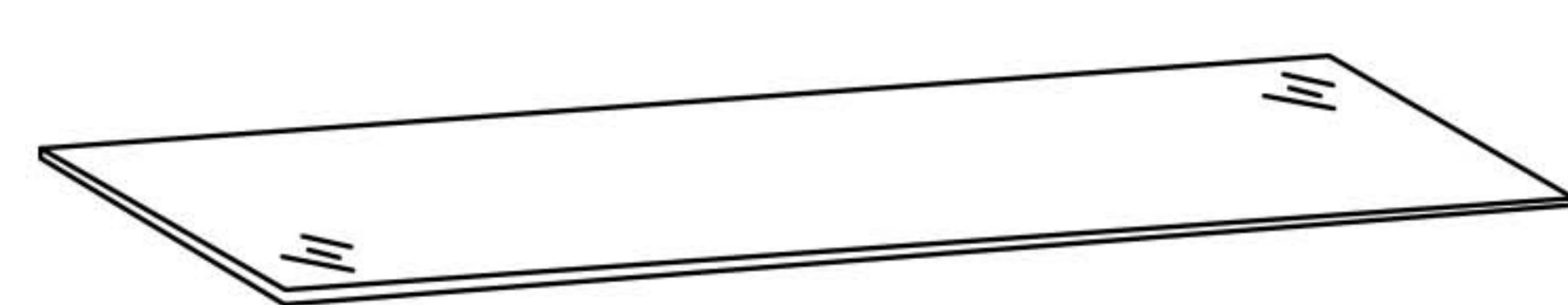


Place the washer on the screw shaft. Attach F with X3 and Y to one side of E.



STEP 2

Parts required



G 1pcs

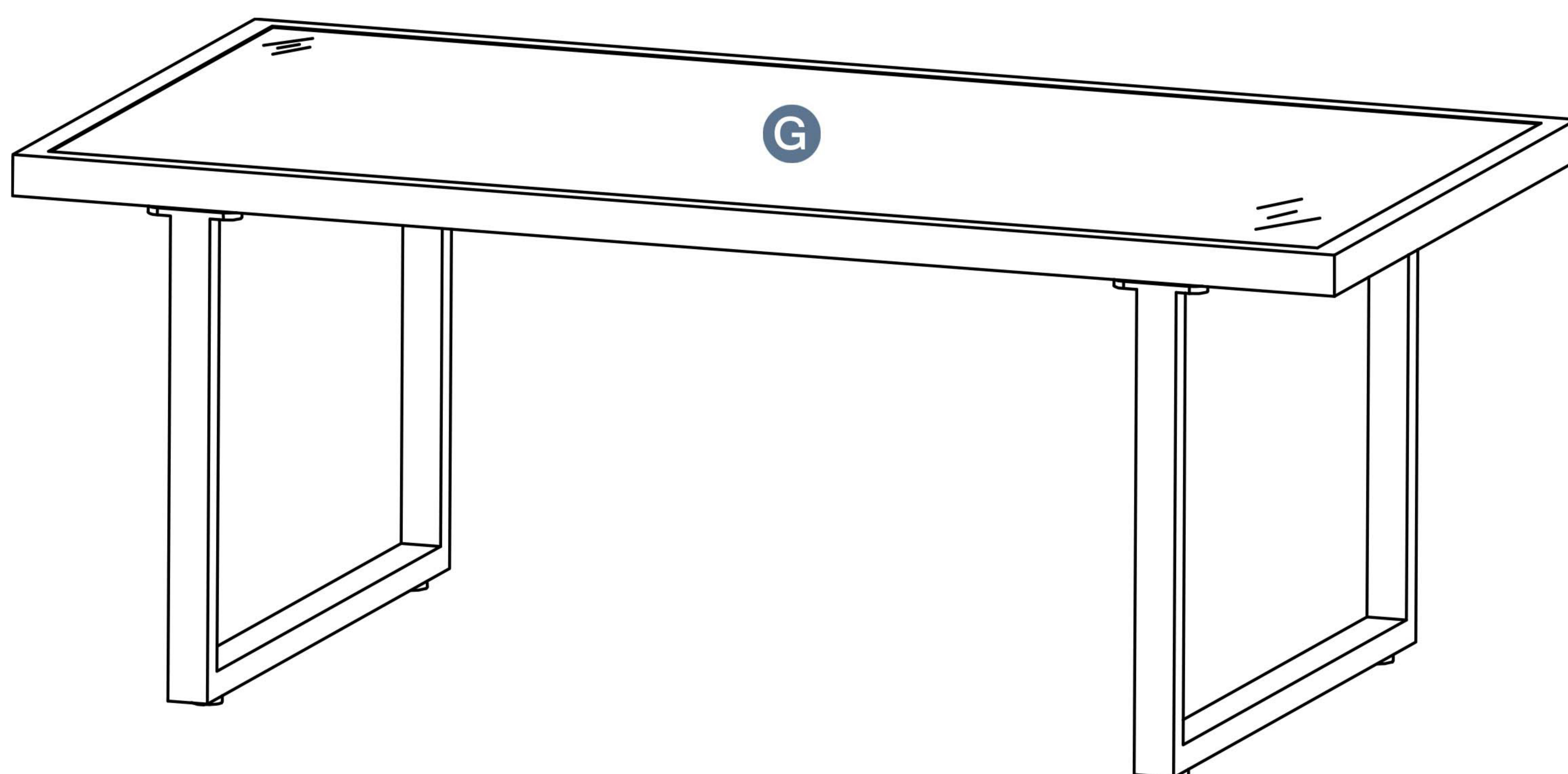
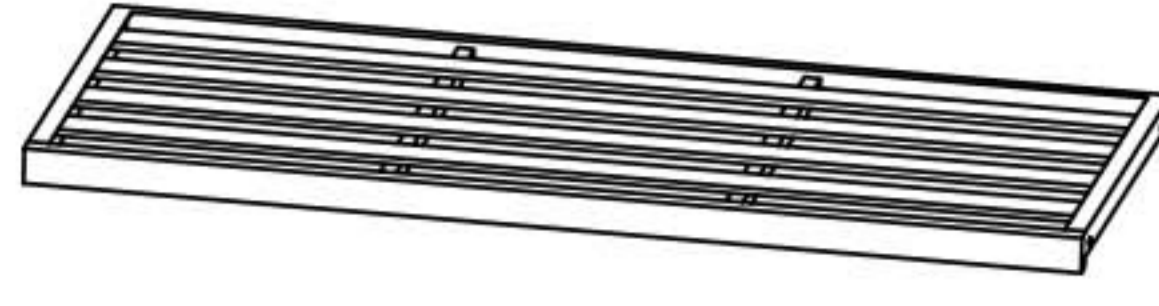


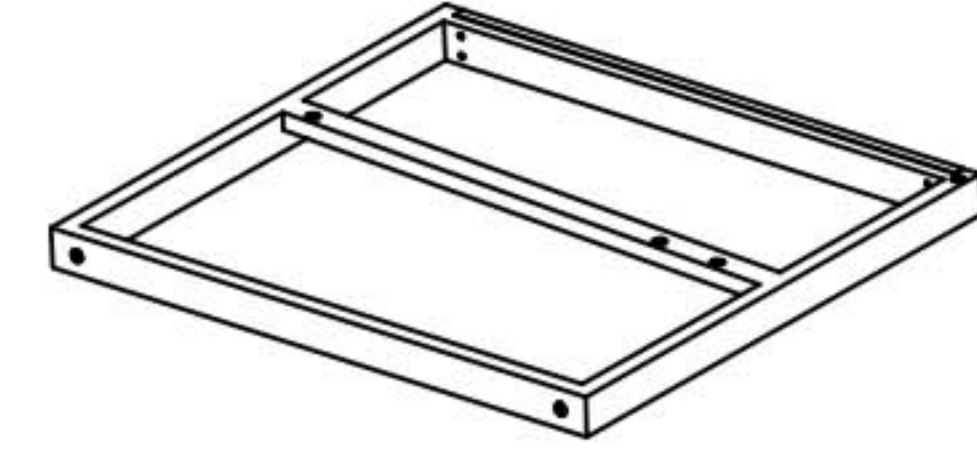
Table installation is complete

STEP 3

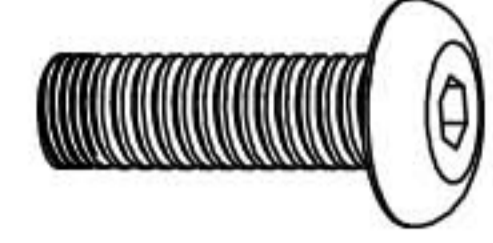
Parts required



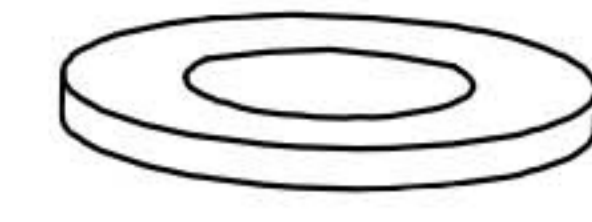
B 1pcs



D 1pcs



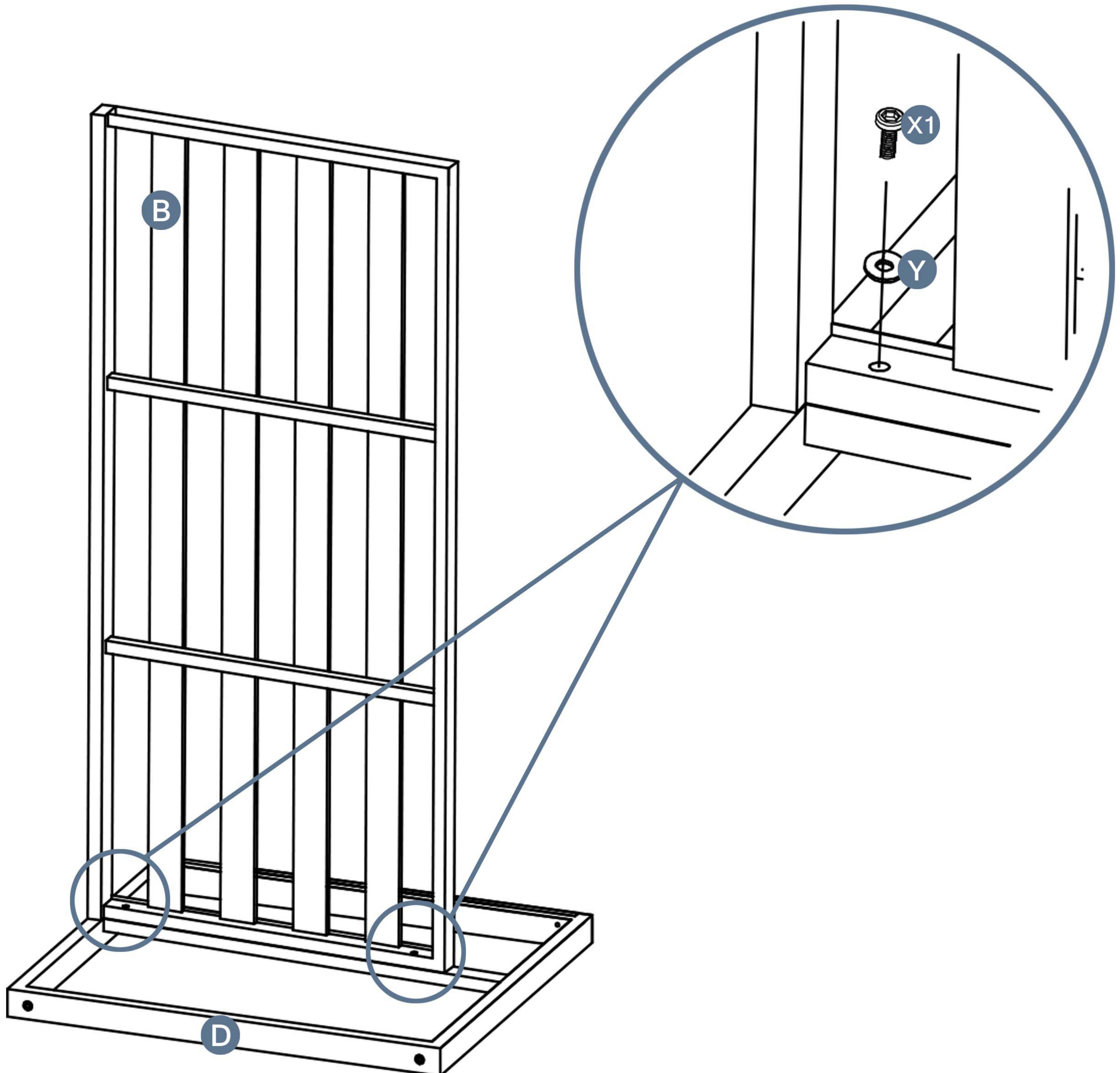
X1 2pcs



Y 2pcs

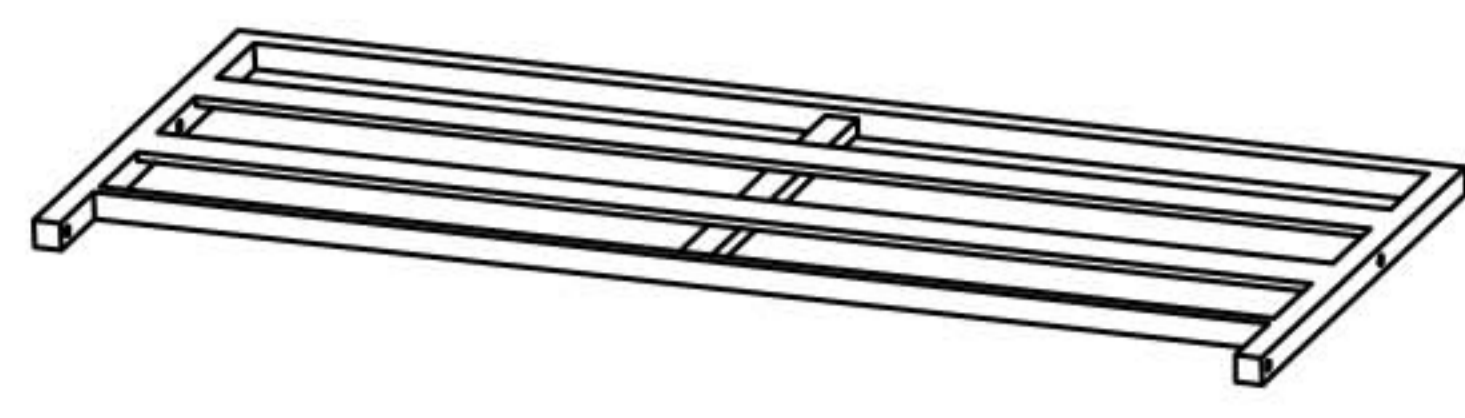


Place the washer on the screw shaft. Attach **D** with **X1** and **Y** to one side of **B**.

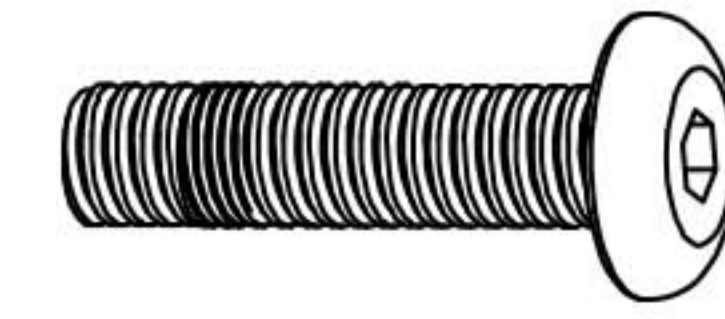


STEP 4

Parts required



A 1pcs



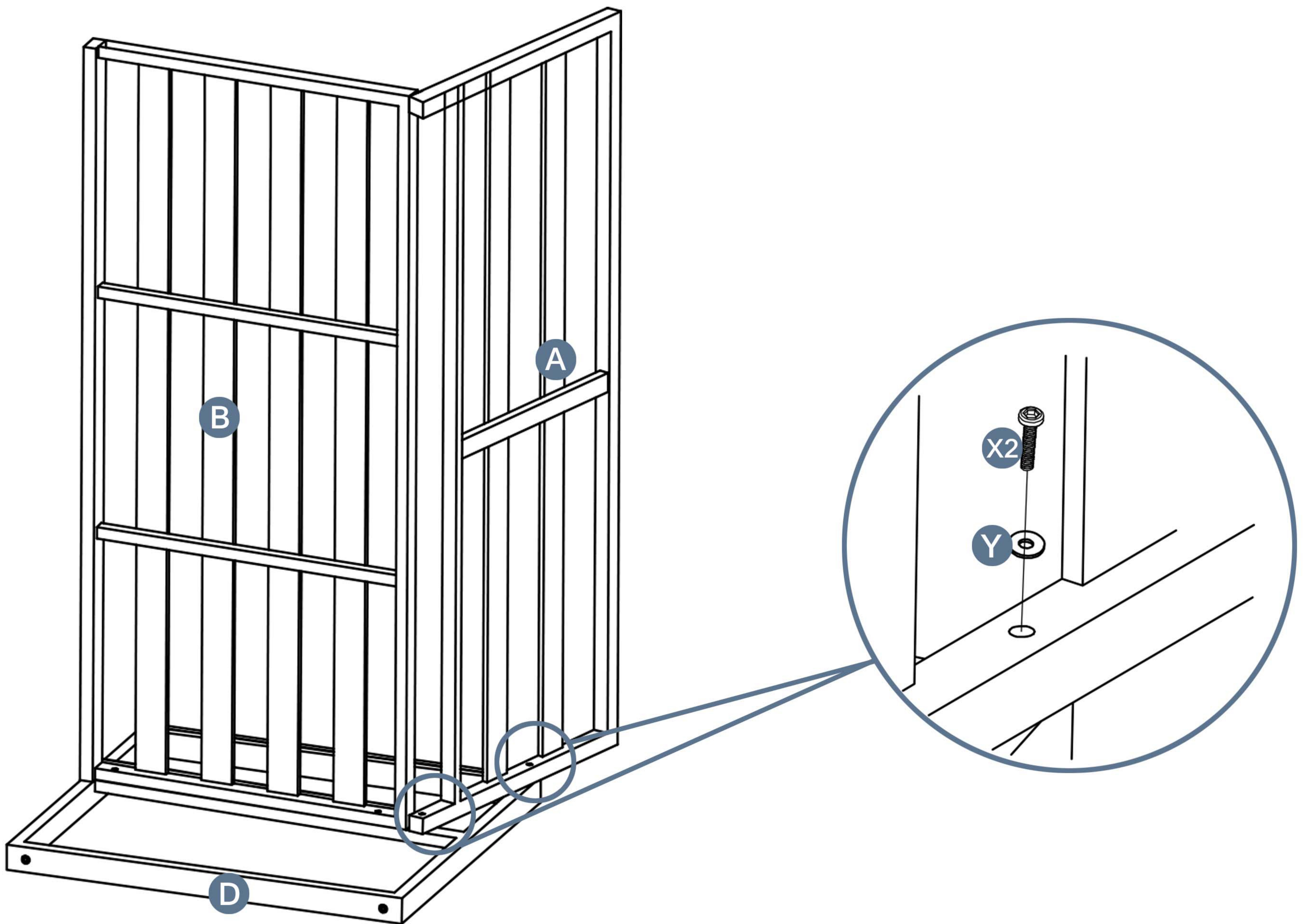
X2 2pcs



Y 2pcs

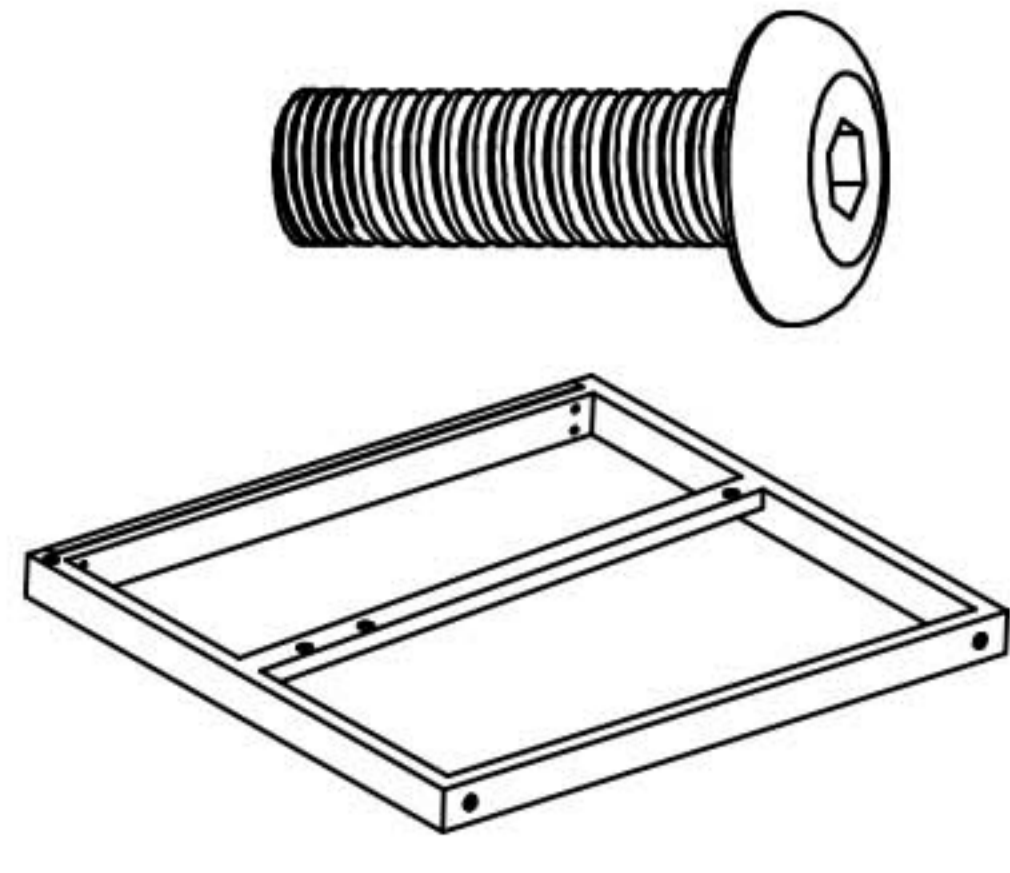


Attach A to D with X2 and Y.

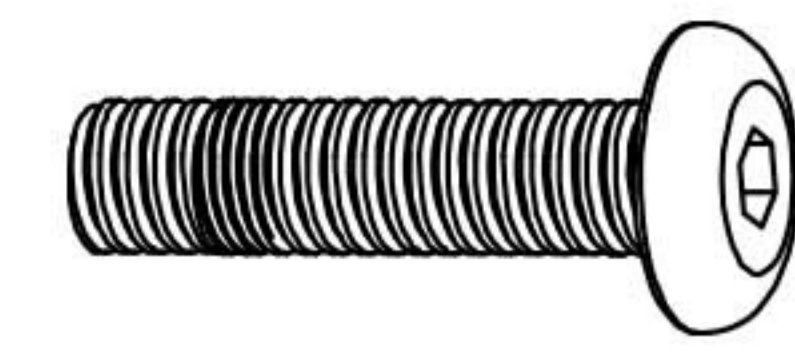


STEP 5

Parts required



X1 2pcs



X2 2pcs

C 1pcs

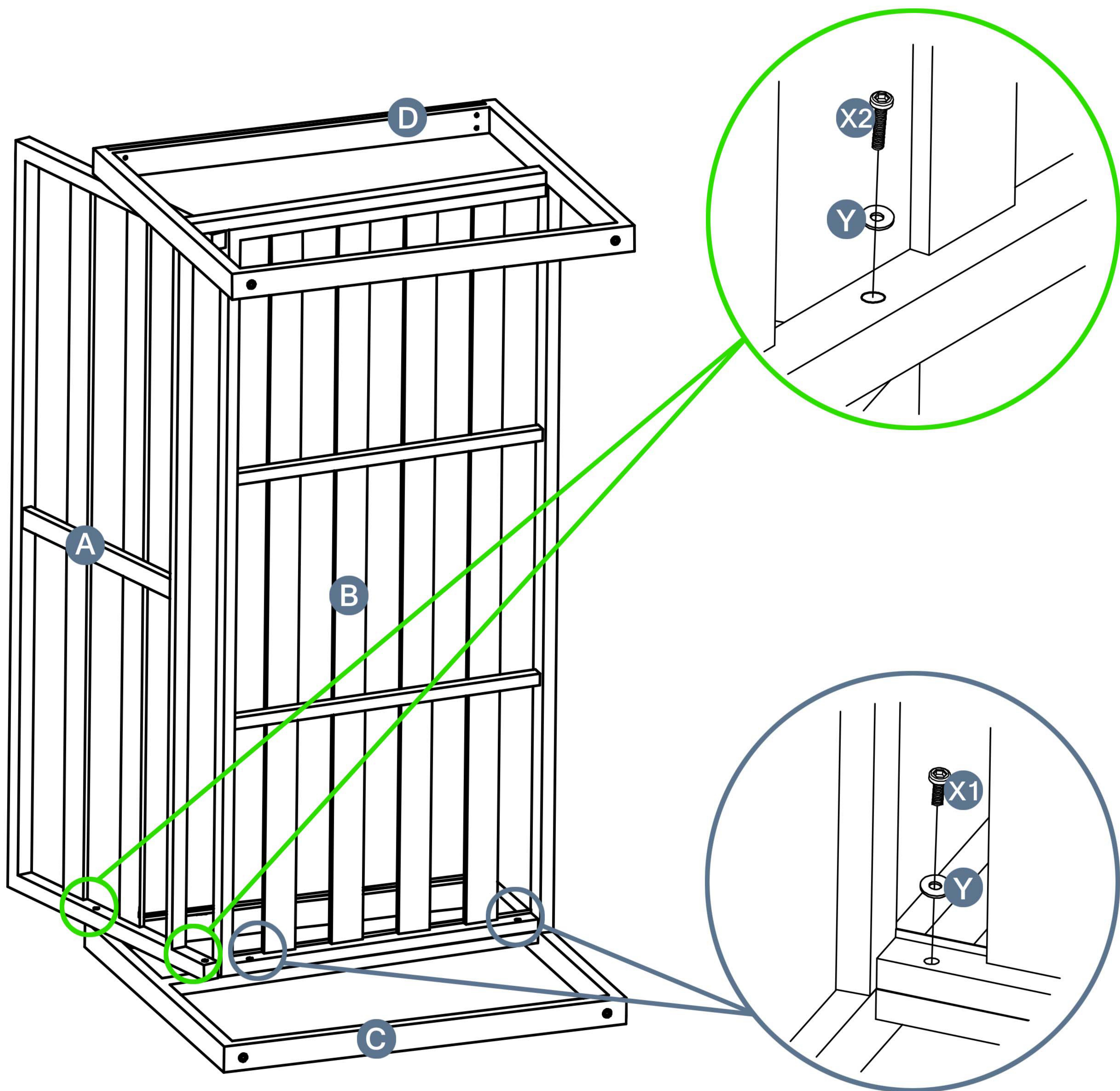


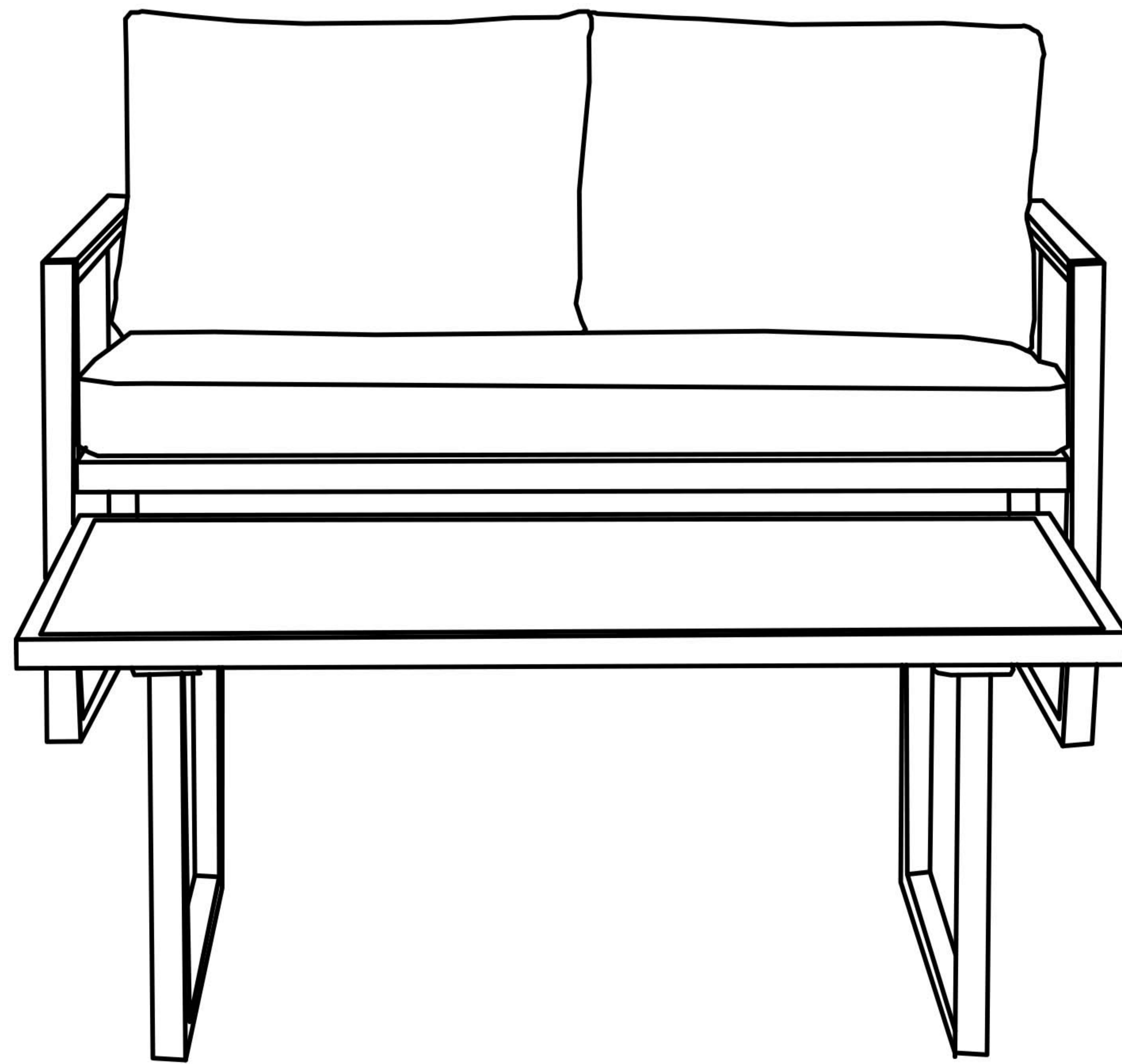
Y 4pcs



Attach C to B with Y and X1.

Attach C to A with Y and X2.





Hope you enjoy this product.

If you have any concerns about gazebo Installation, please feel free to contact us. We will reply within 24 hours.
