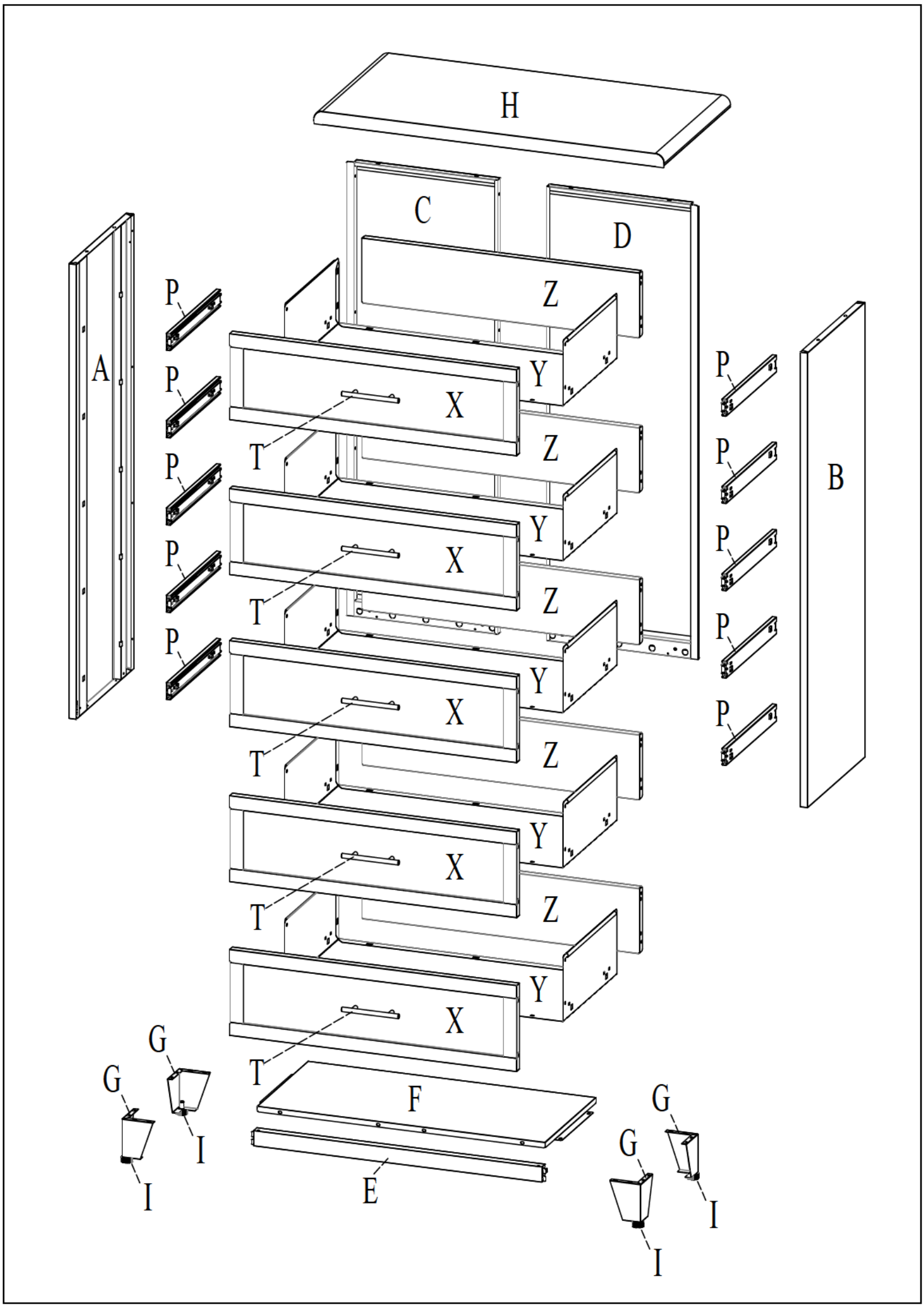


Important!

Thank you for your purchase. Please open it carefully.

If you encounter any problems, please contact us.

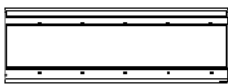

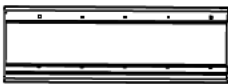
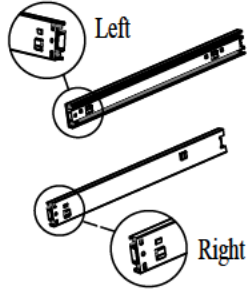





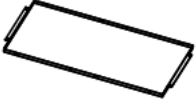
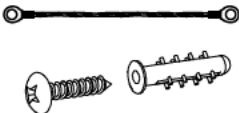
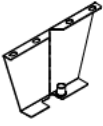

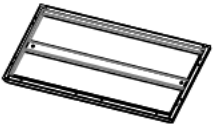




Service tenet - to enable customers to enjoy high-quality service.



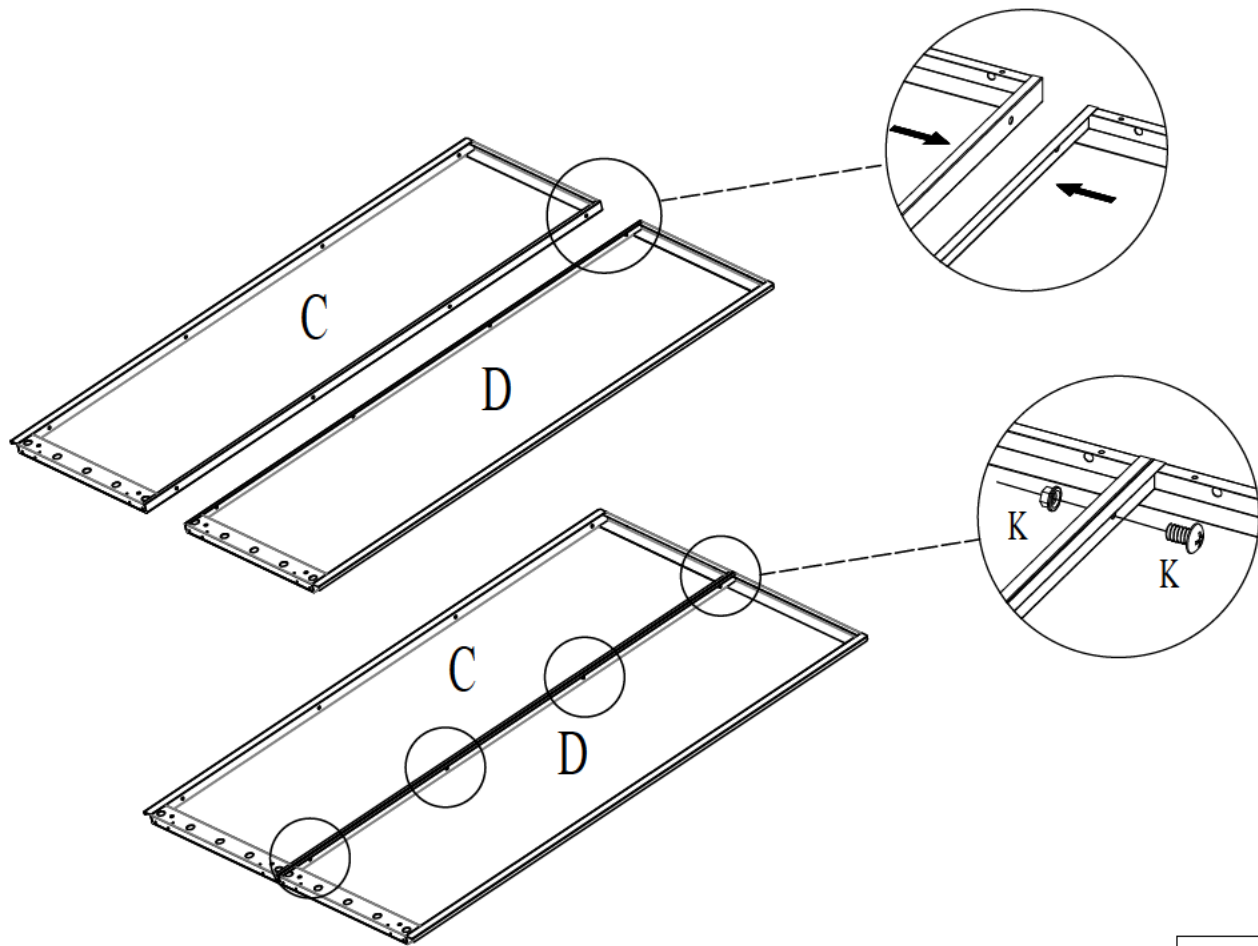
PARTS LIST

LISTE DES PIÈCES

LISTA DE PIEZAS

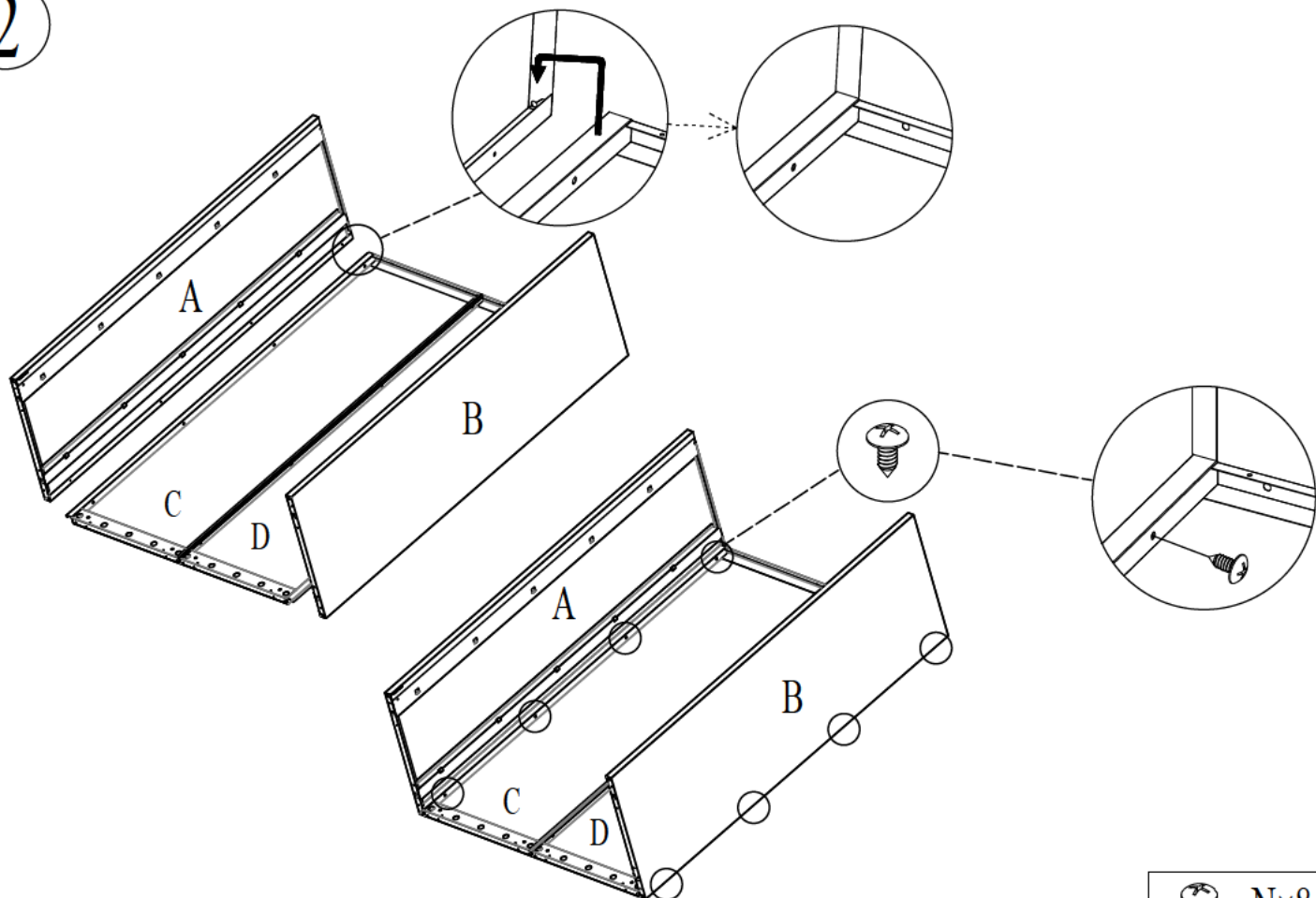
Nom Nombre		Part Piece Pieza	Qty Qte	Spare	Name Nom Nombre	Part Piece Pieza	Qty Qte	Spare
A	Left Side		1		N 13/32" Screw		84	3
B	Right Side		1		P Left and right slide		5	
C	Left Back Panel		1					
D	Right Back Panel		1		T Haft		5	
E	Kick Plate		1		U Desk panel screws		10	2
F	Bottom Panel		1		W Set screw		1	
G	Standing leg		4		X Drawer panel		5	
H	Top Panel		1		Y Drawer box		5	
I	Adjustable foot		4		Z Drawer backstop		5	
K	13/32" Screw		4					

1



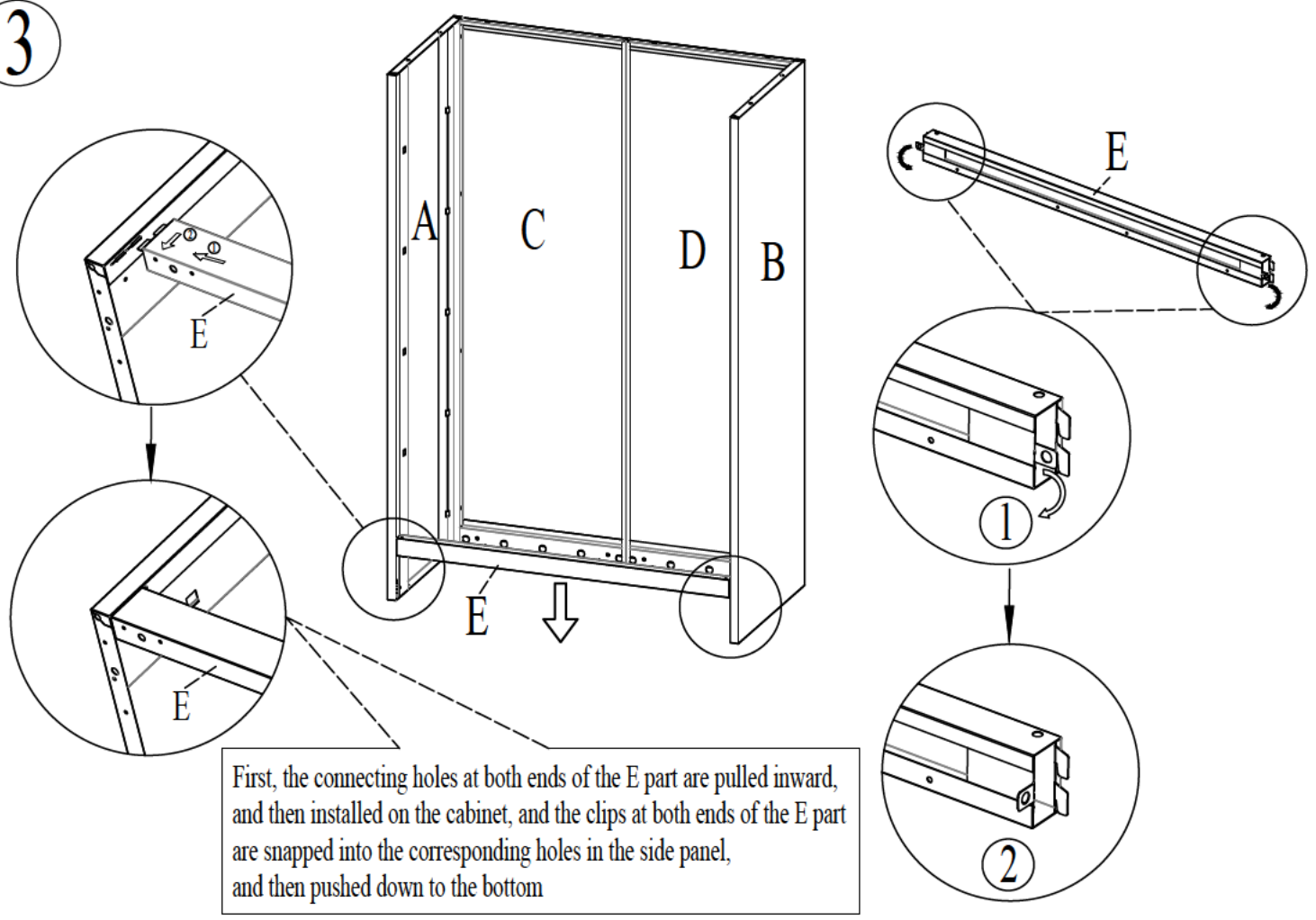
 K×4

2



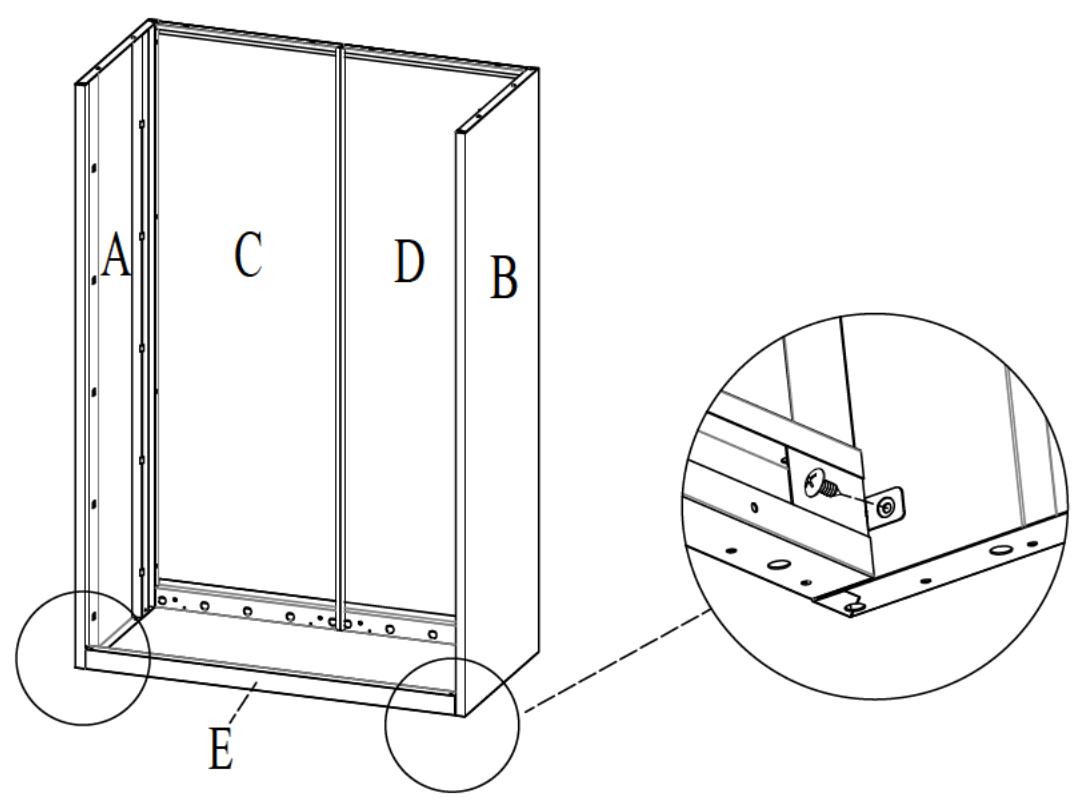
 N×8

3



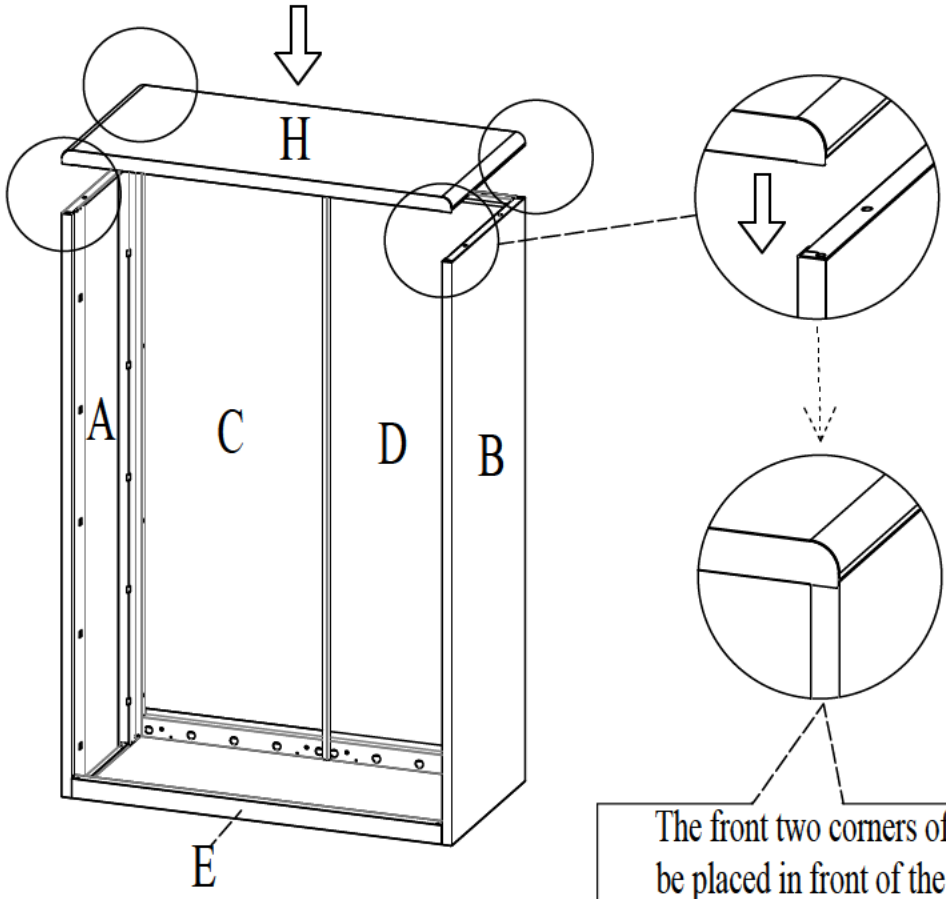
First, the connecting holes at both ends of the E part are pulled inward, and then installed on the cabinet, and the clips at both ends of the E part are snapped into the corresponding holes in the side panel, and then pushed down to the bottom

4



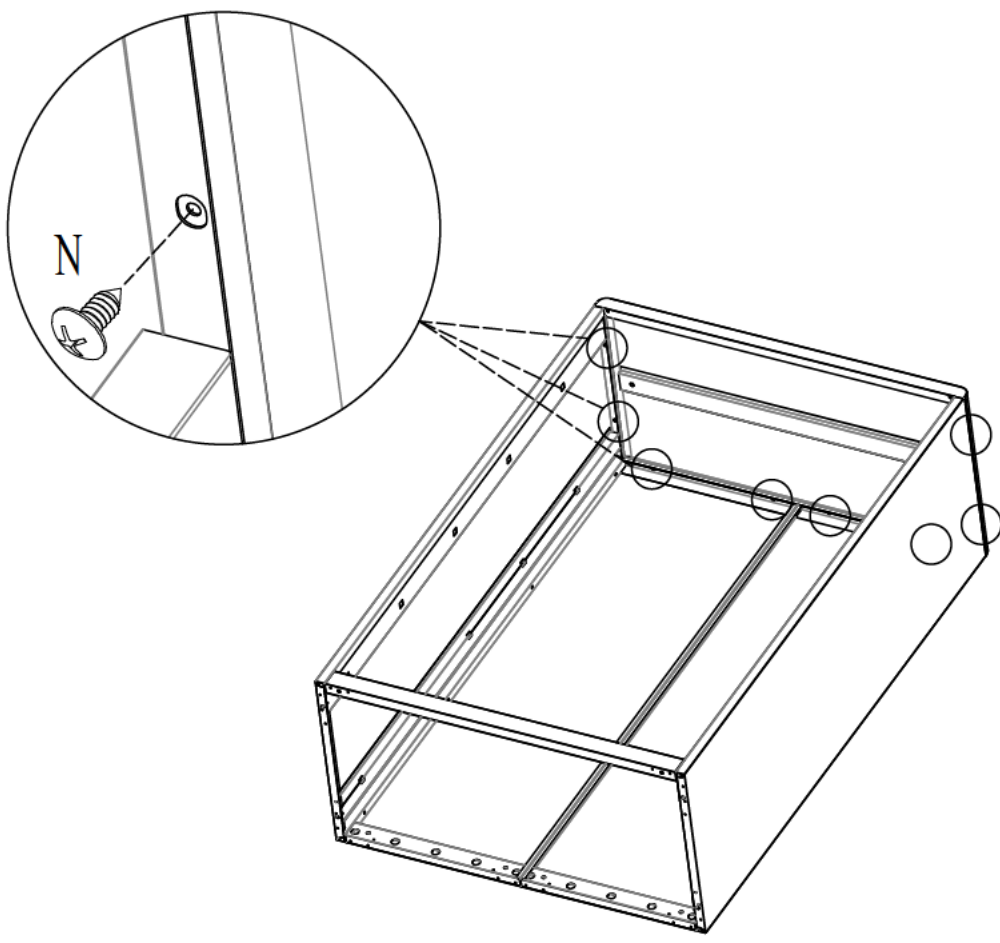
 N×2

5



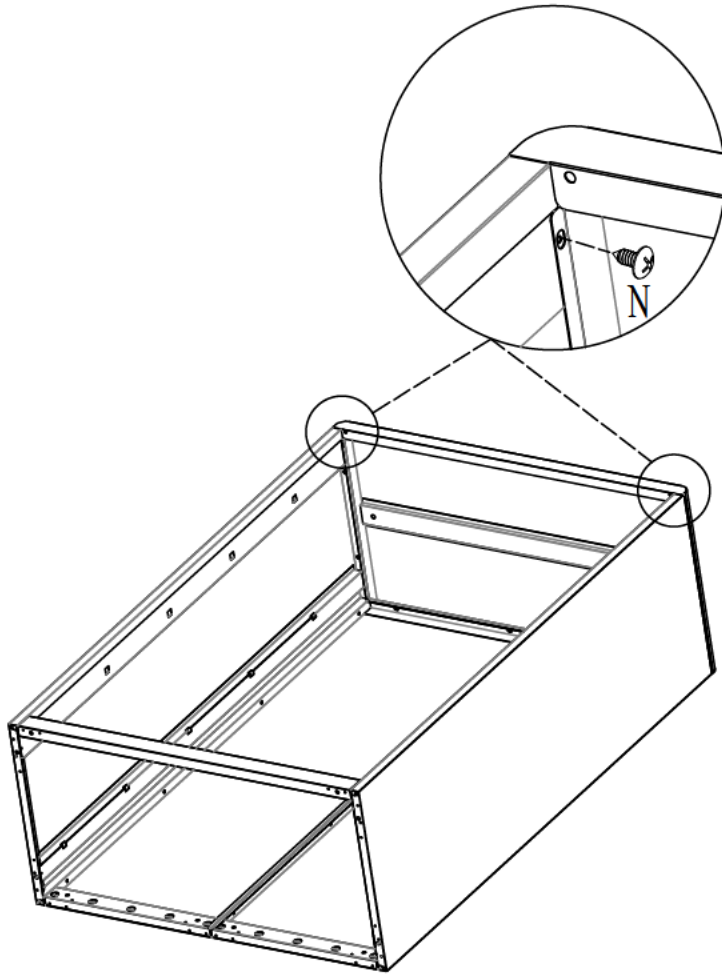
The front two corners of the top need to be placed in front of the side panels

6

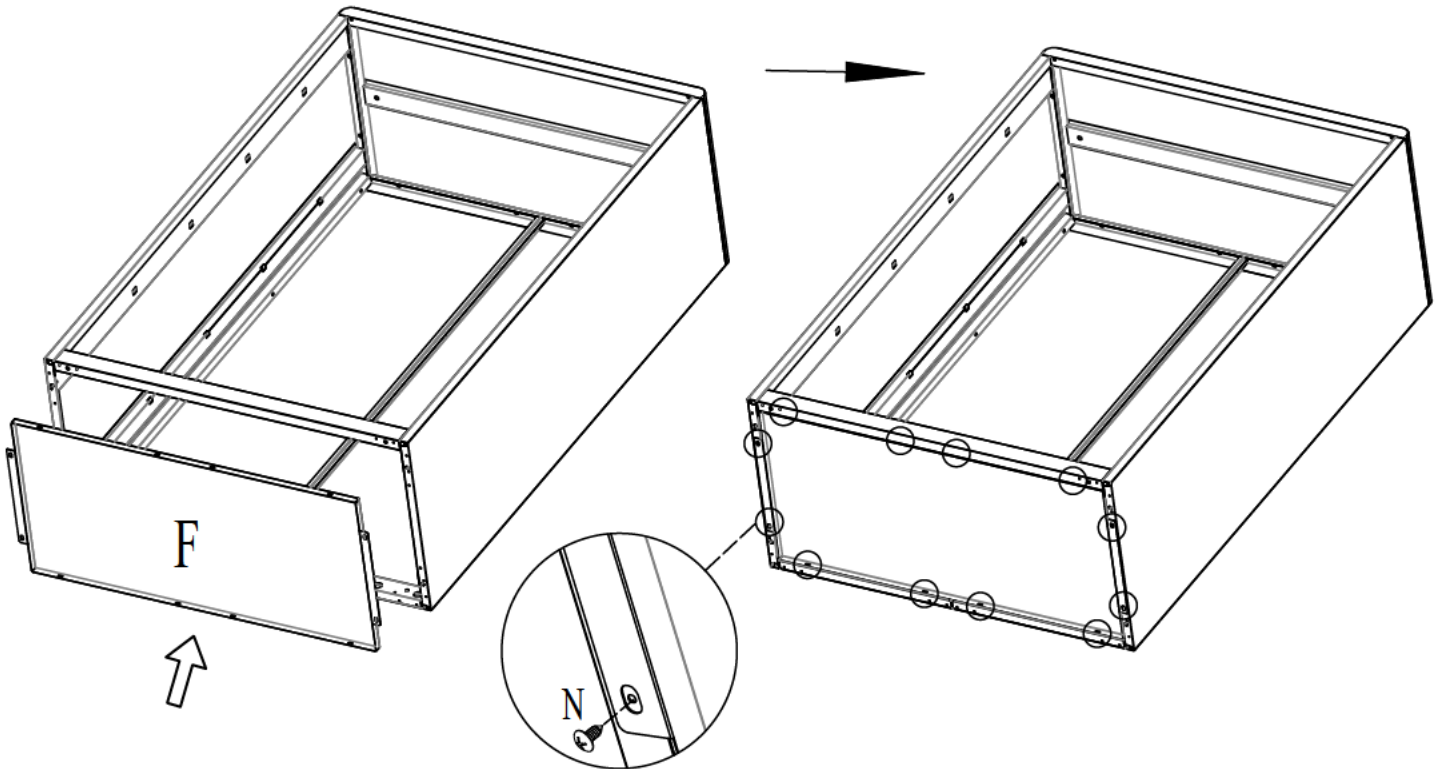


 N×8

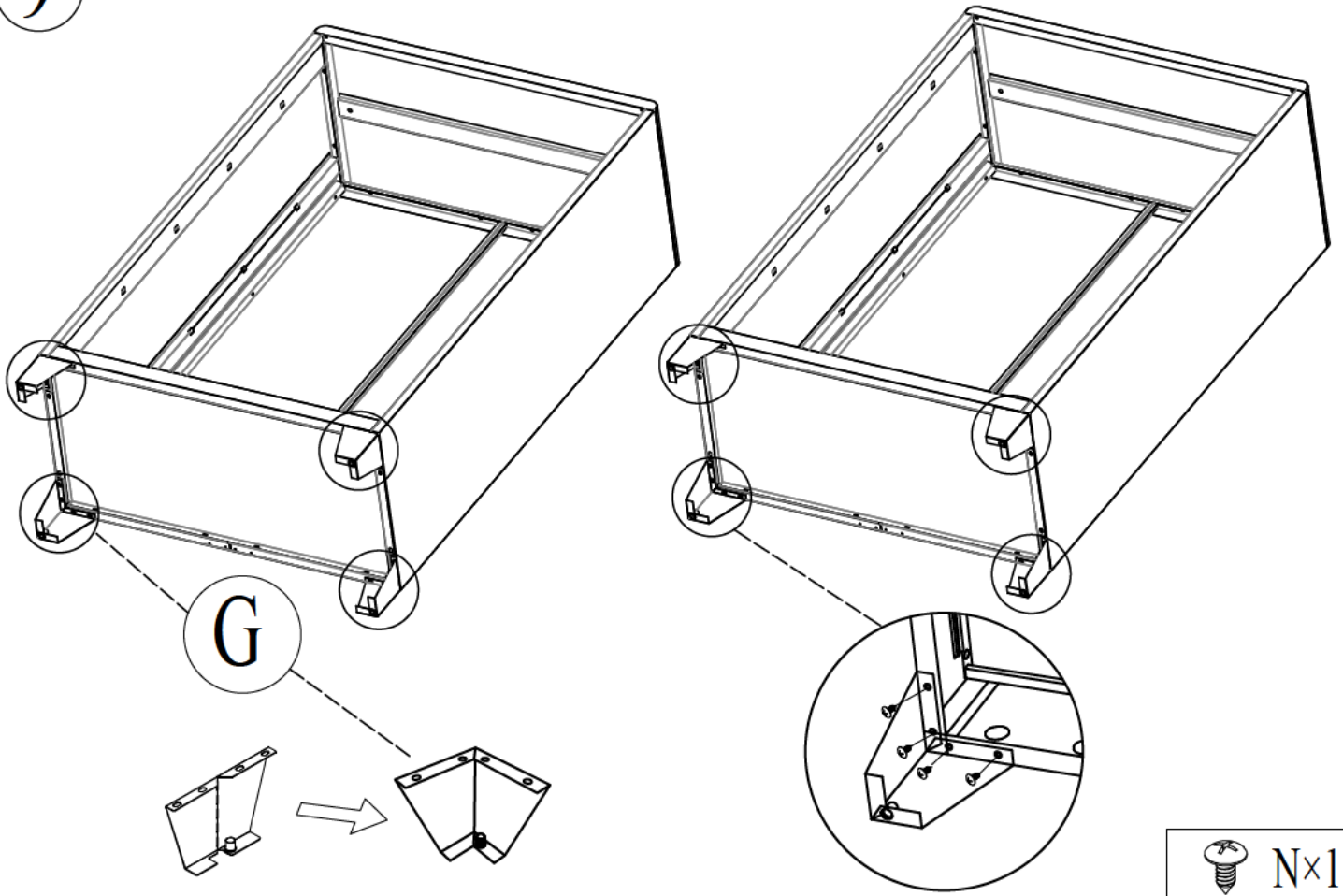
7



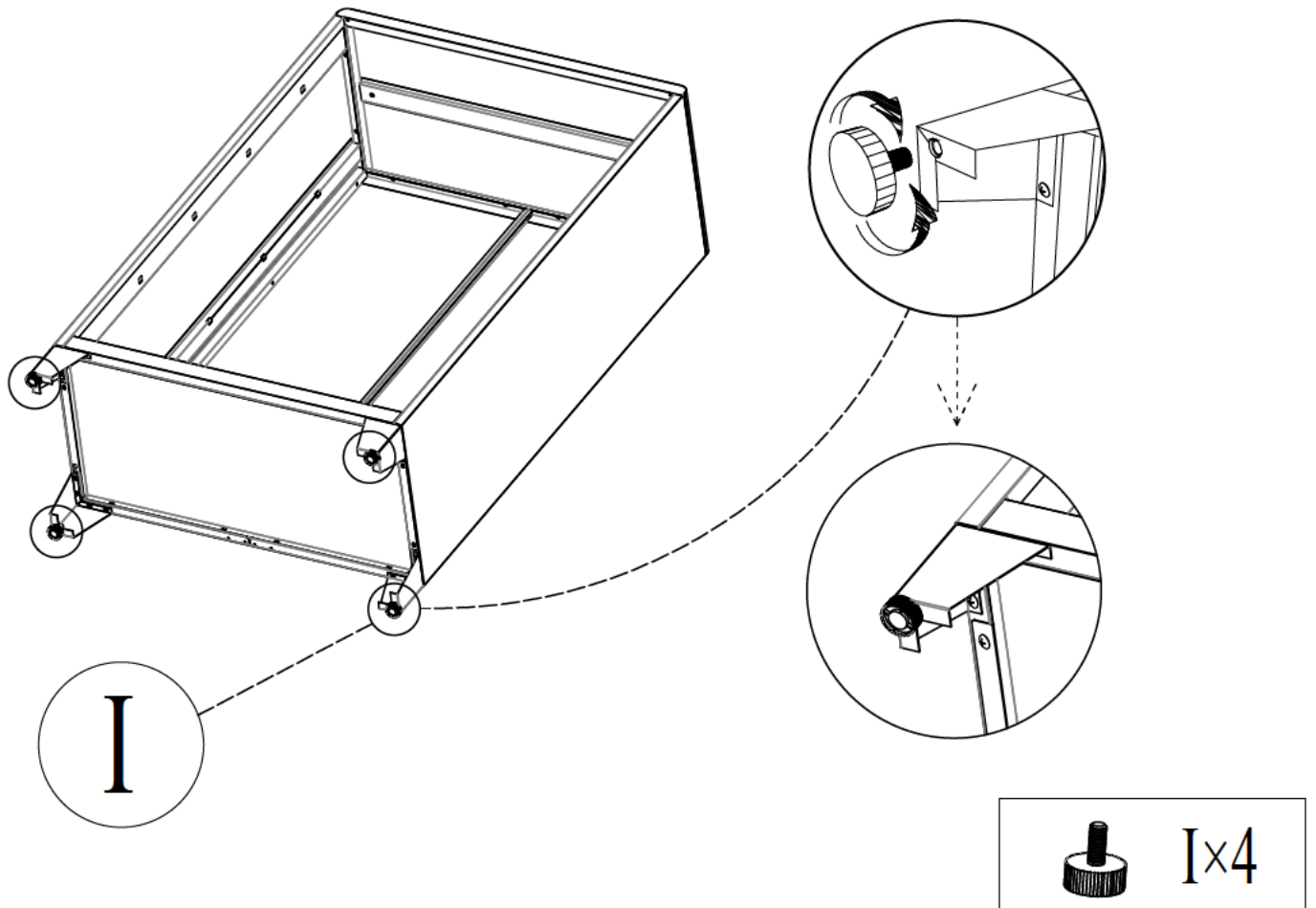
8



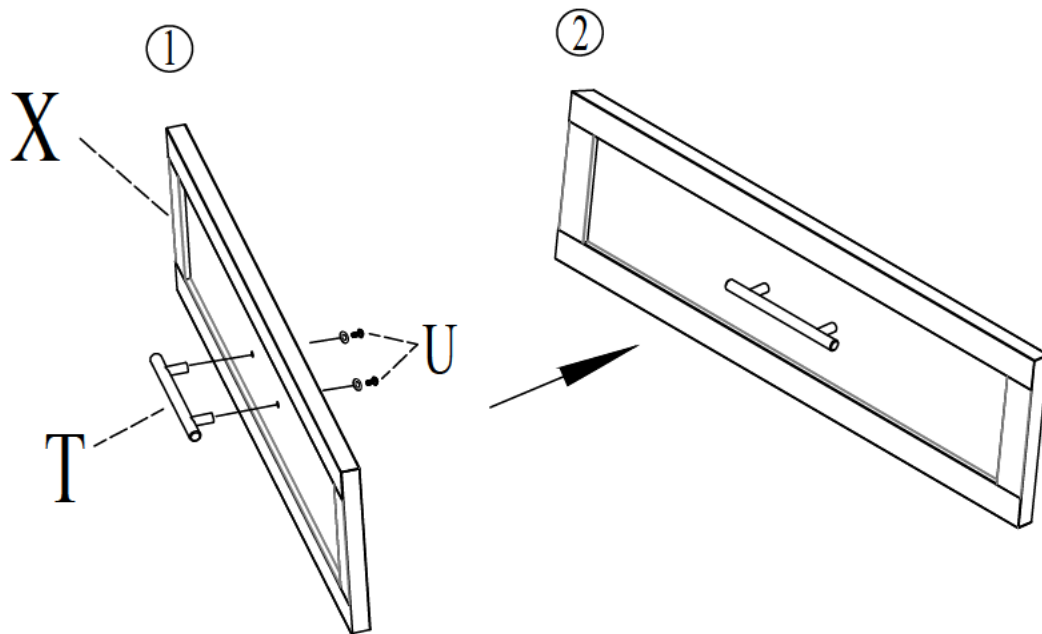
9





10



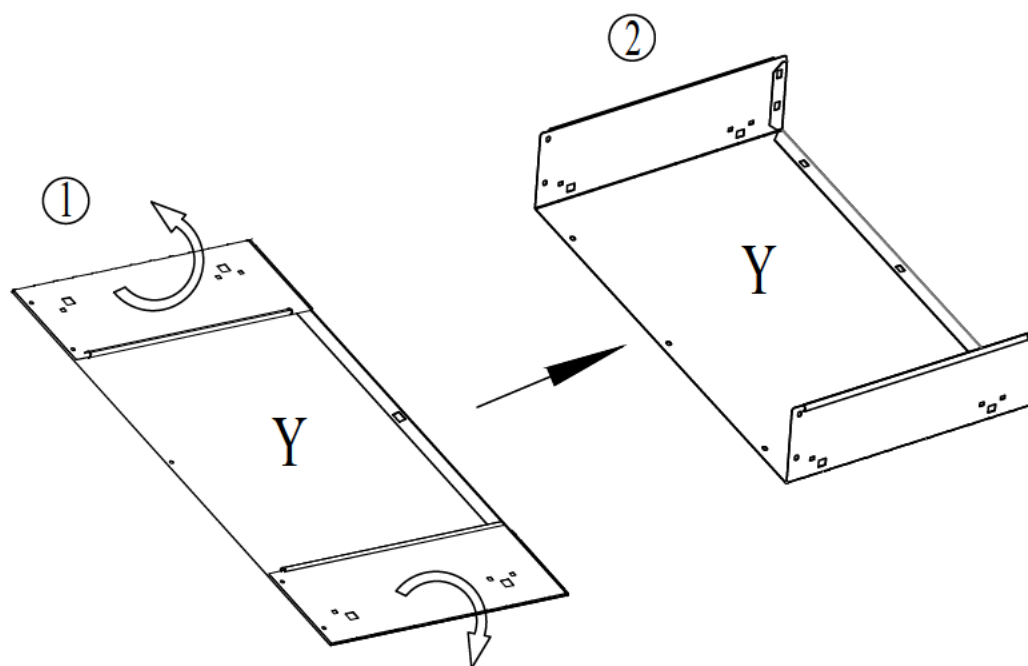
11



Follow this step to install the other drawers

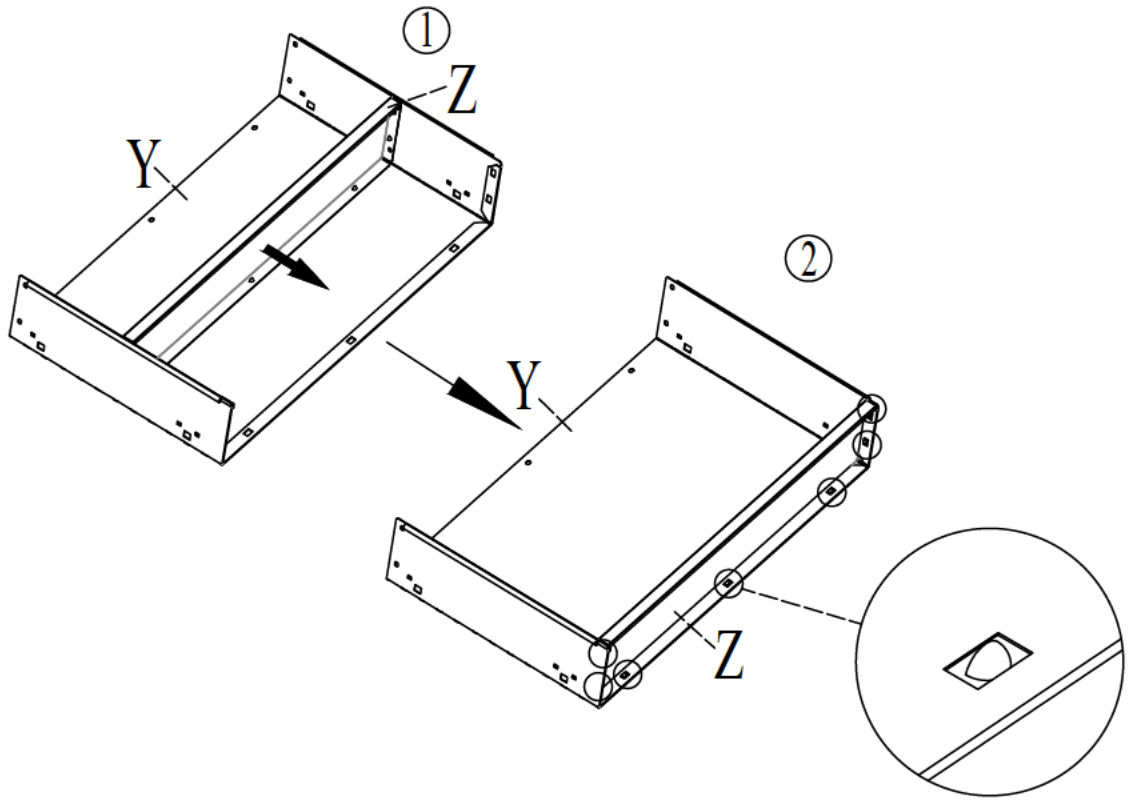
	T×5
	U×10

12



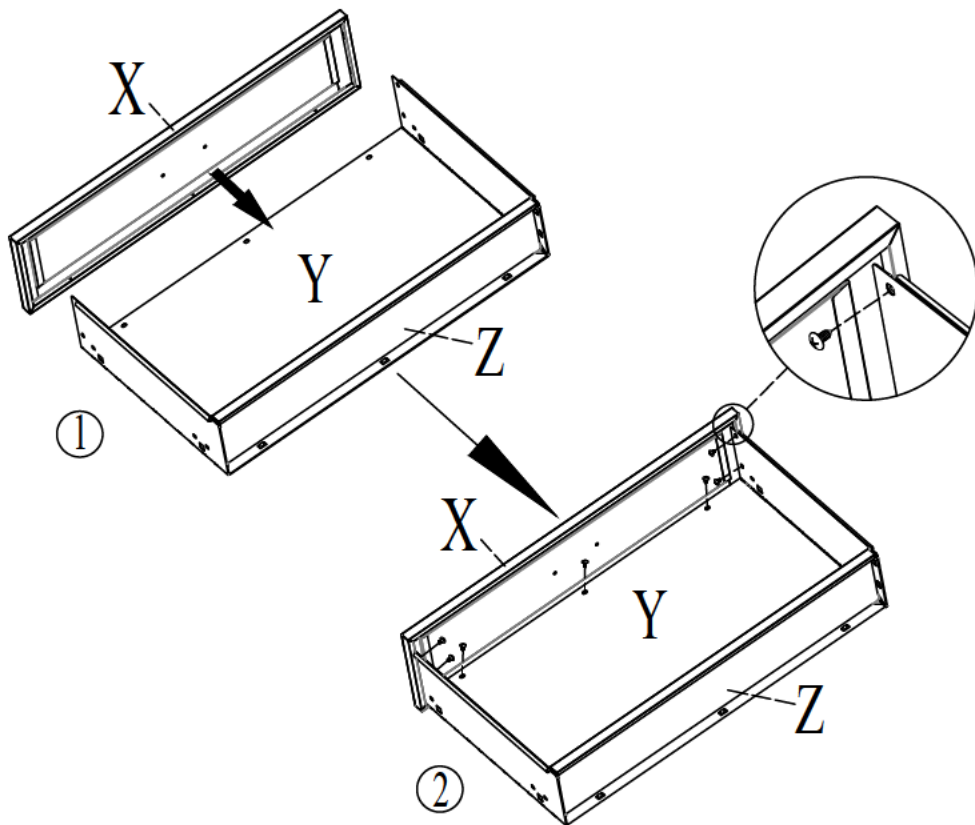
Follow this step to install the other drawers

13



Follow this step to install the other drawers

14

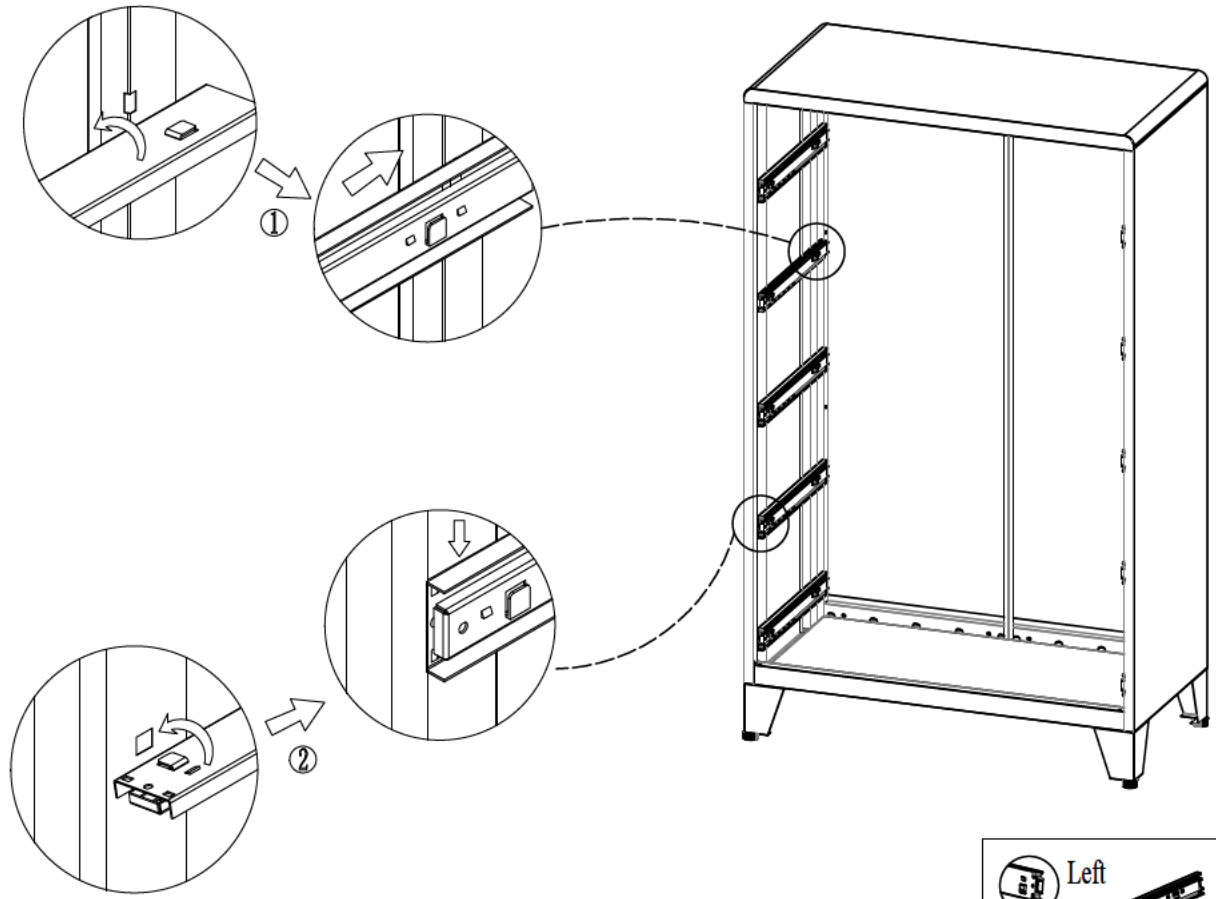


Follow this step to install the other drawers

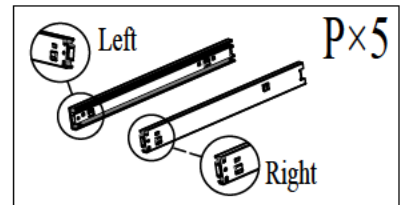


N×35

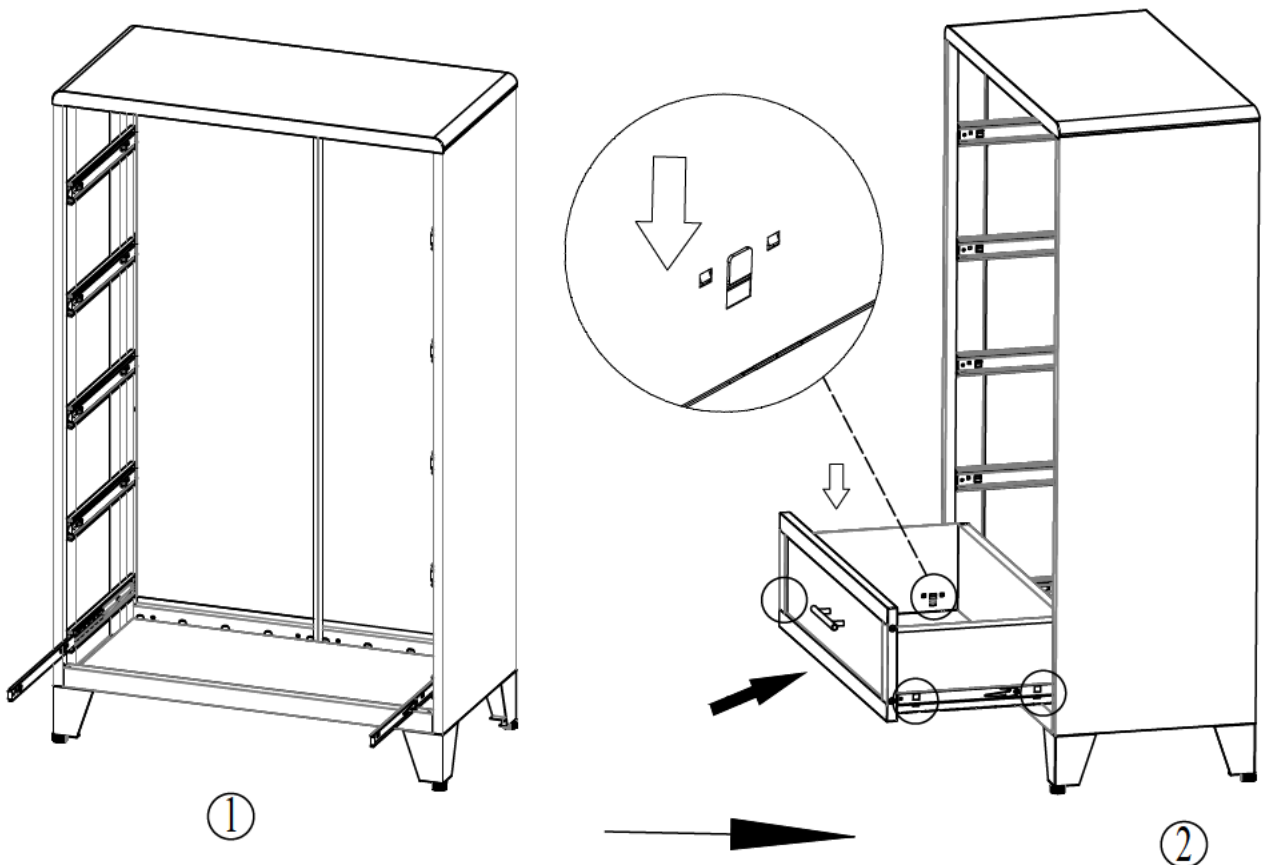
15



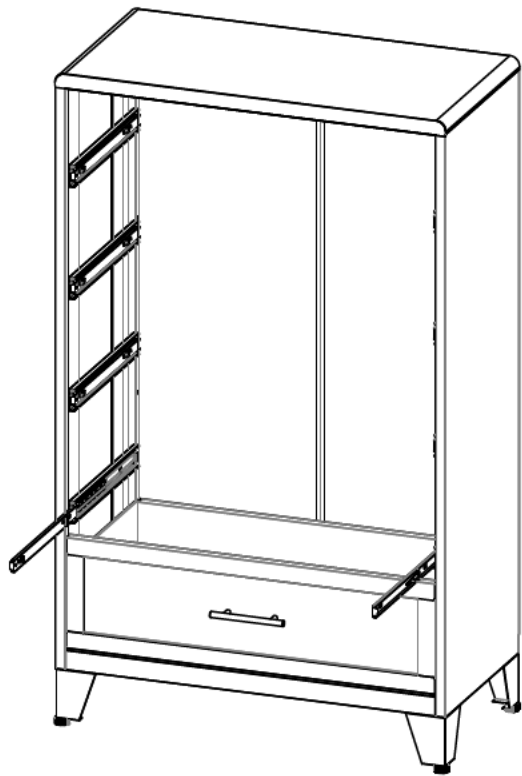
Follow the diagram to mount the tracks on both sides



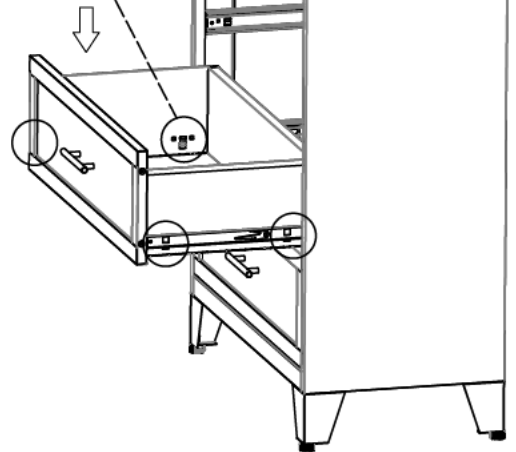
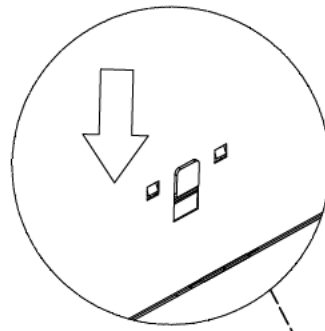
16



17



①

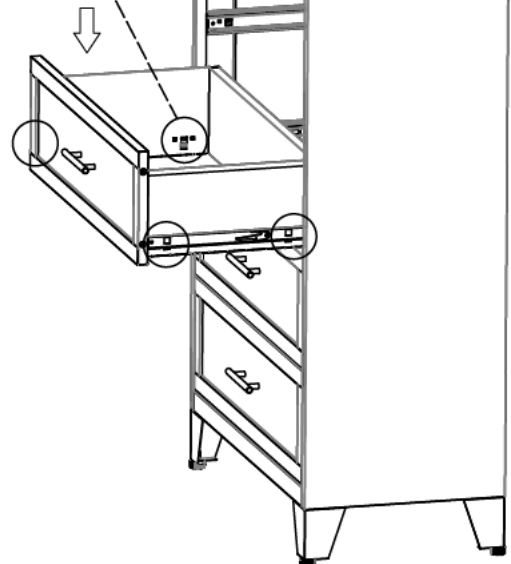
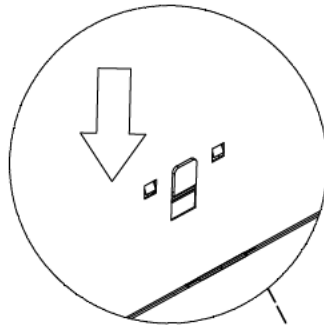


②

18



①

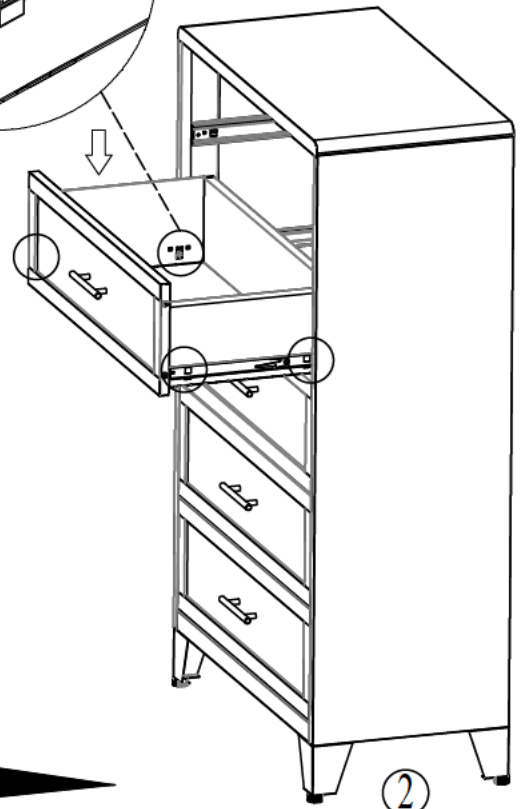
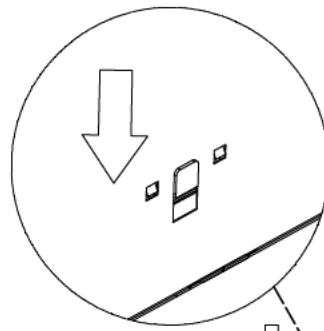


②

19



①



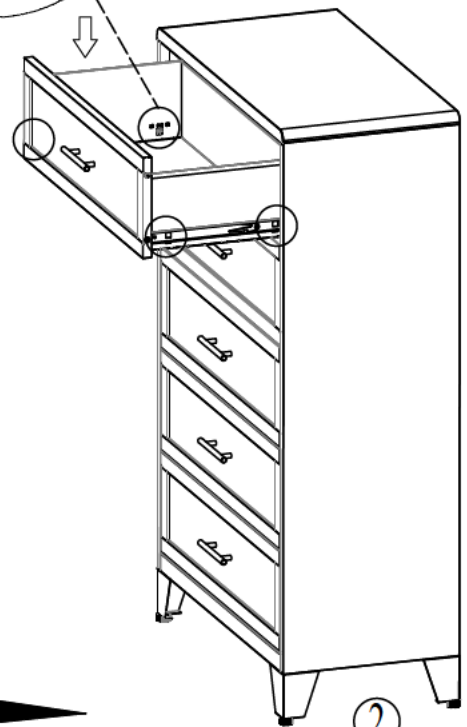
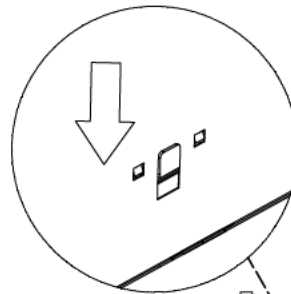
②



20



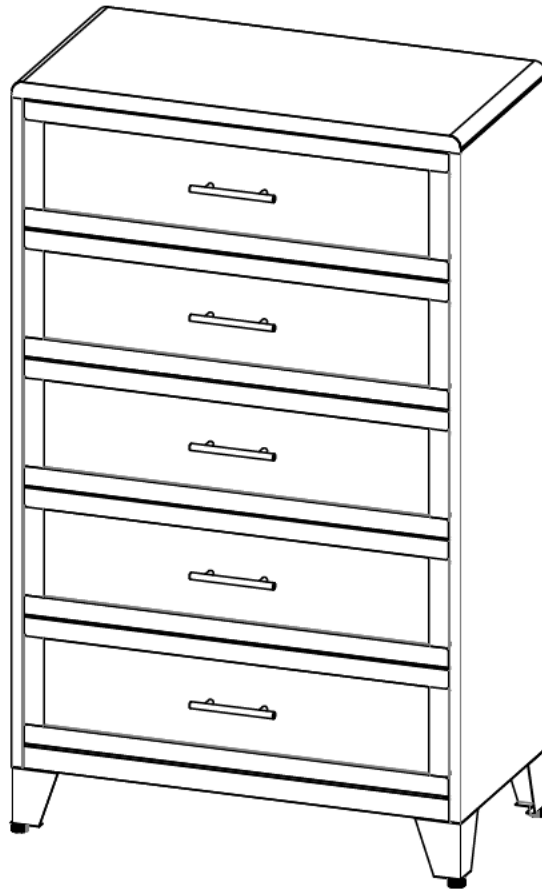
①



②

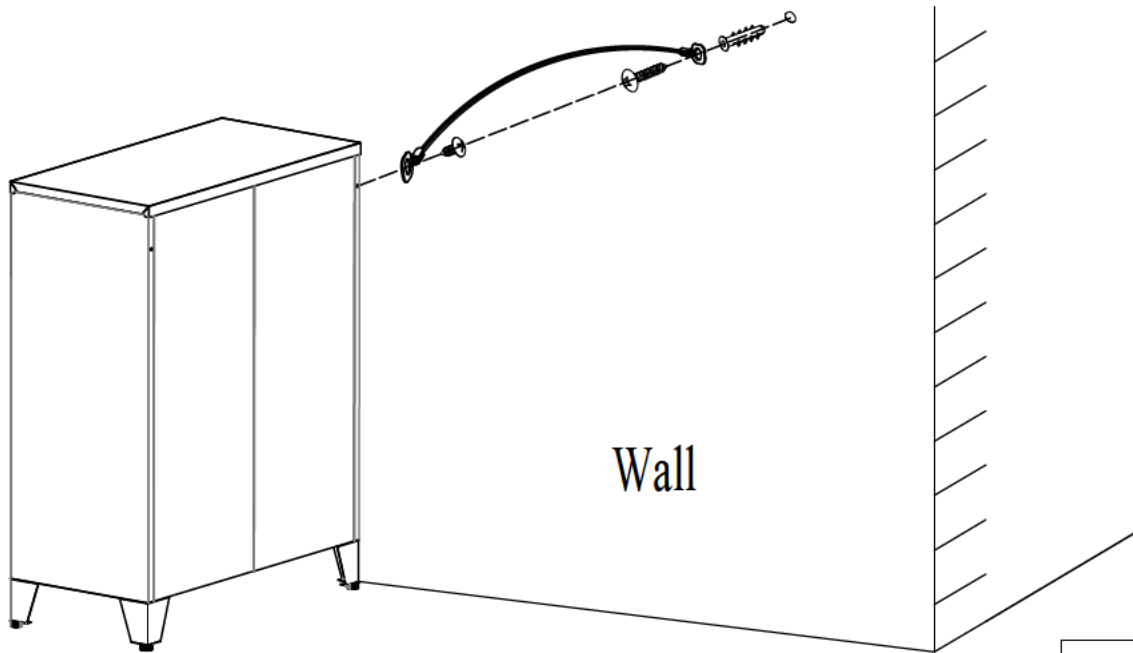




21



22

The cabinet can be fixed to the wall as needed.



- | | |
|---|-------|
|  | N × 1 |
|  | W × 1 |