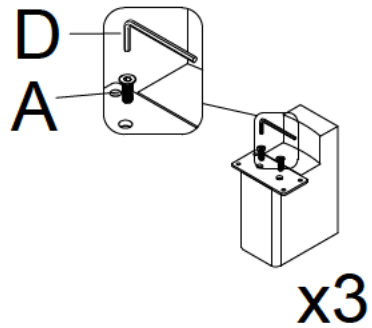
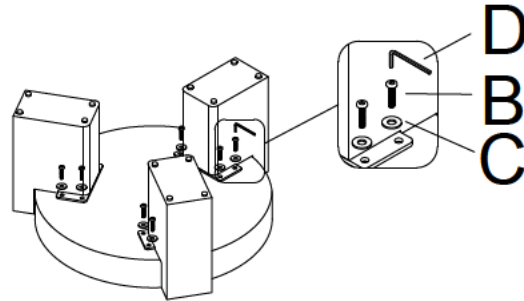


ASSEMBLY INSTRUCTION

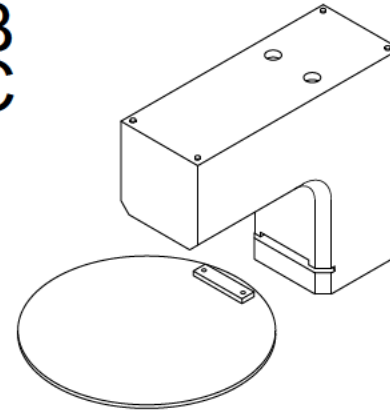
STEP1



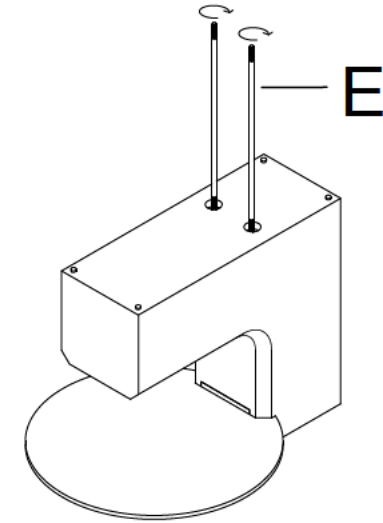
STEP2



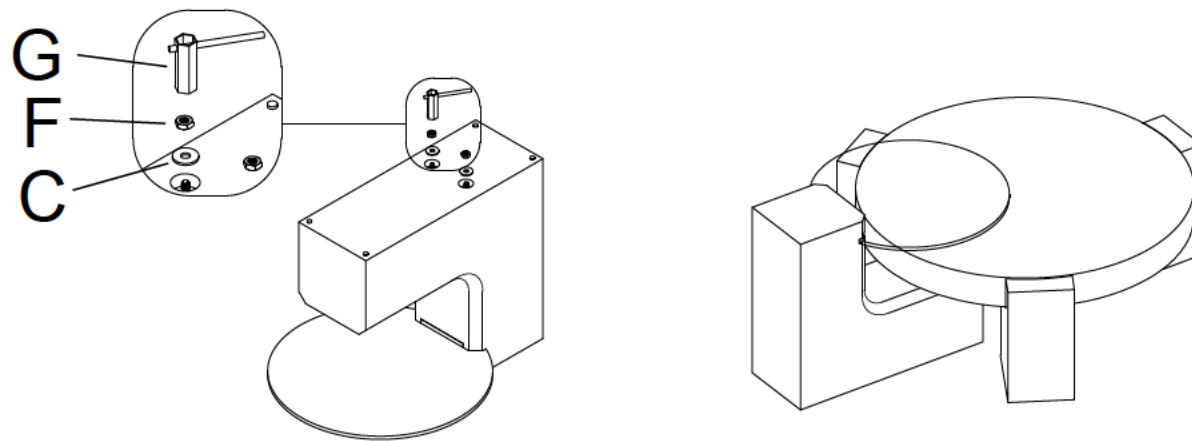
STEP3










STEP4



STEP5



At least 2 people are required for product assembly

A		M8*20	x6
B		M8*25	x12
C		ø22	x14
D			x1
E		M8*380	x2
F		M8	x2
G			x1