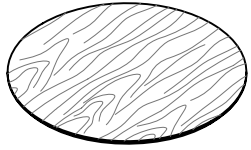


# ASSEMBLY INSTRUCTION

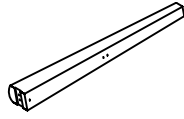
## END TABLE

**A** Top Panel



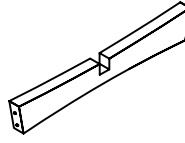
1PC

**B** Leg



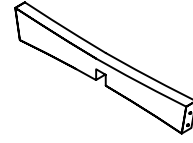
4PCS

**C** Lower Cross Bar



1PC

**D** Upper Cross bar



1PC

**E** Metal Bracket



4PCS

**F** Cam Bolt  
1/4"X 2"



4PCS

**G** Cam Screw  
3/8"X 1/4"



4PCS

**H** Cam Nut  
19/32"X 9/16"



4PCS

**I** Wooden Dowel



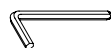
8PCS

**J** Bolt  
1/4"X1/2"

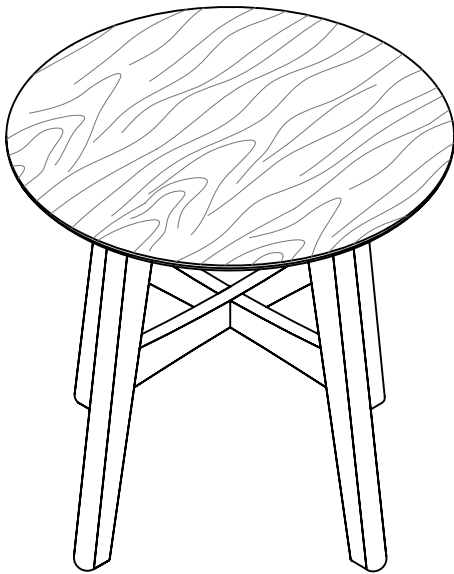


16PCS

**K** Allen Key  
4mm



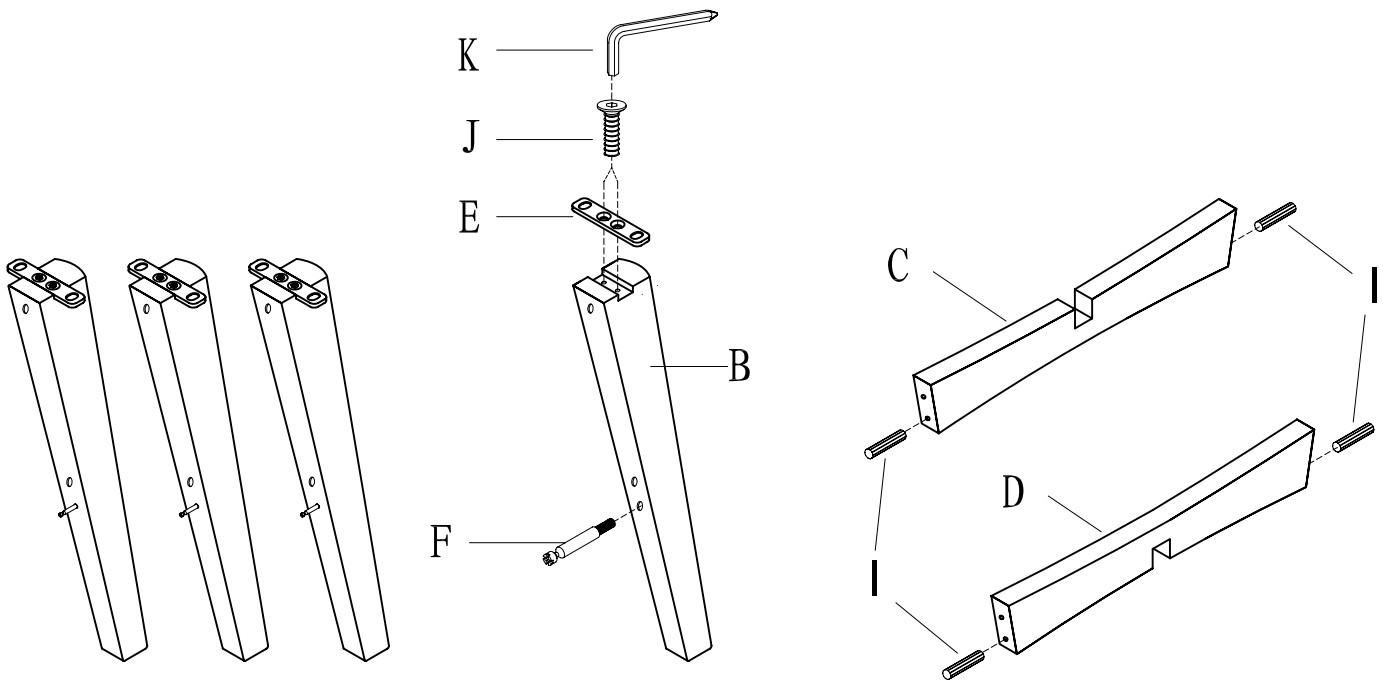
1PC



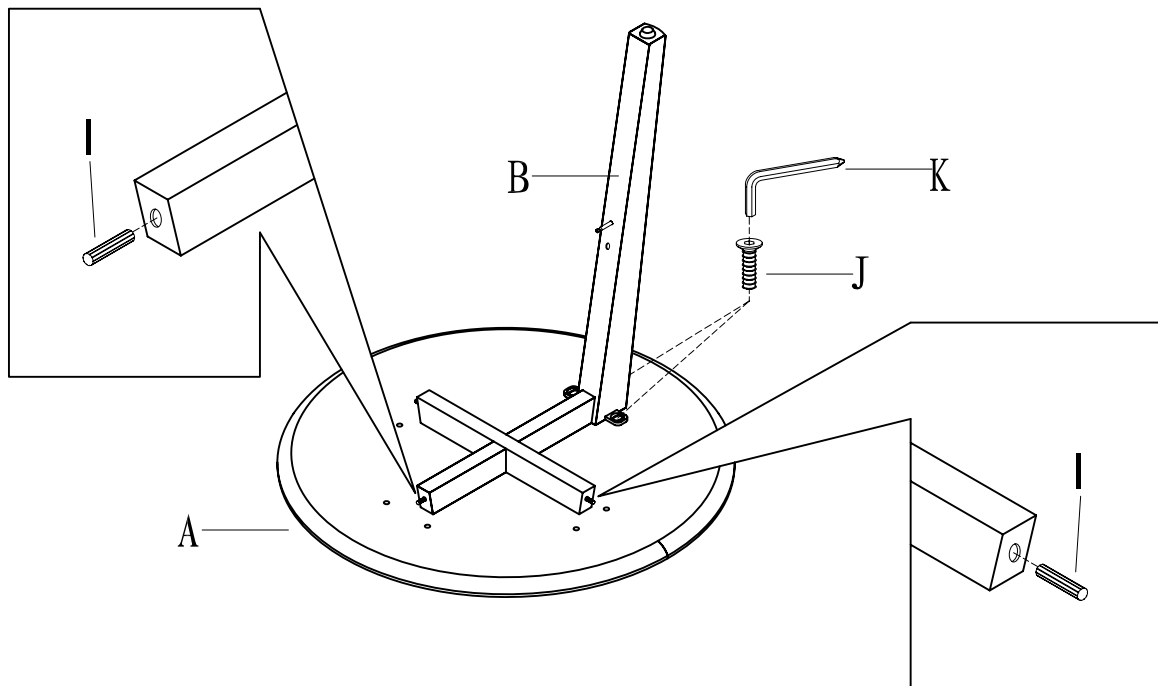
This page lists all the contents included in the box. Please take the time to identify the hardware as well as the individual components to this product. As you unpack and prepare for assembly, place the contents on a carpeted or padded area to protect them from damage.

**1**

Attach the Metal Bracket (E) to the Leg (B) by using Bolt (J) with Allen Key (K). Screw Cam Bolt (F) to the pre-drilled hole of the Leg (B) as below shown, and then insert Wood Dowel (I) into Long Connecting Rod (C) and Short Connecting Rod (D) as below shown.

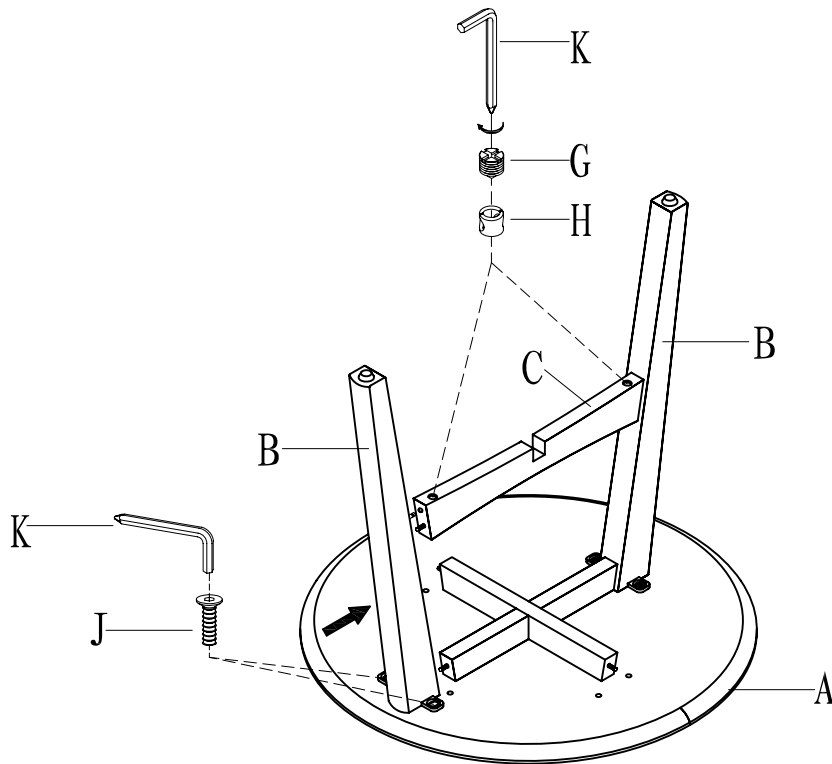
**2**

Insert Wood Dowel (I) into the pre-drilled holes of the cross bar of Top Panel (A) as below shown, then attach one Leg (B) to Top Panel (A) by using Bolt (J) with Allen Key (K).

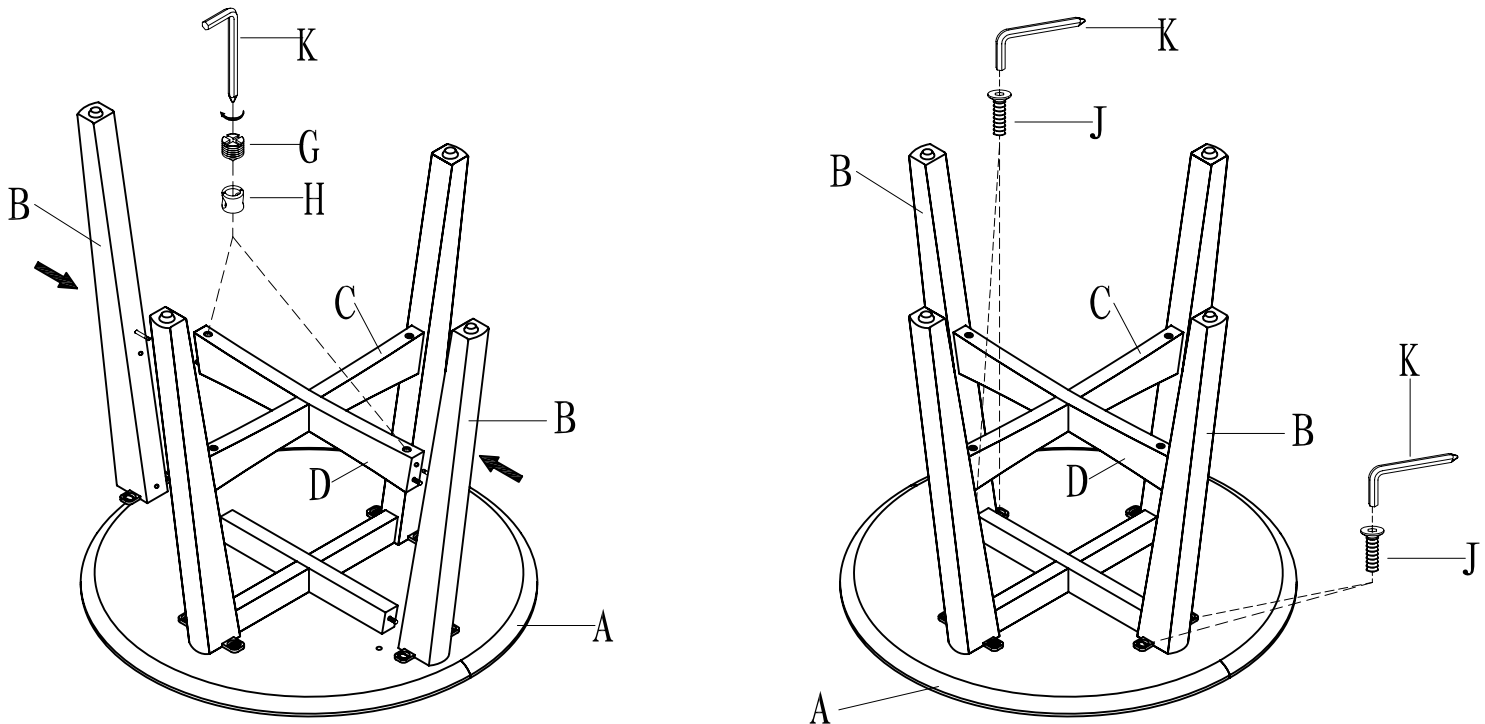


**3**

Attached the Lower Cross Bar (C) to the assembled Leg (B) by using Cam Nut (H) and Cam Screw (G) with Allen Key (K) as below shown, then attached another Leg (B) to the Lower Cross Bar (C) by using Cam Nut (H) and Cam Screw (G) with Allen Key (K), then Lock the Leg (B) into the Table Top (A) by using Bolt (J) with Allen Key (K) as below drawing.

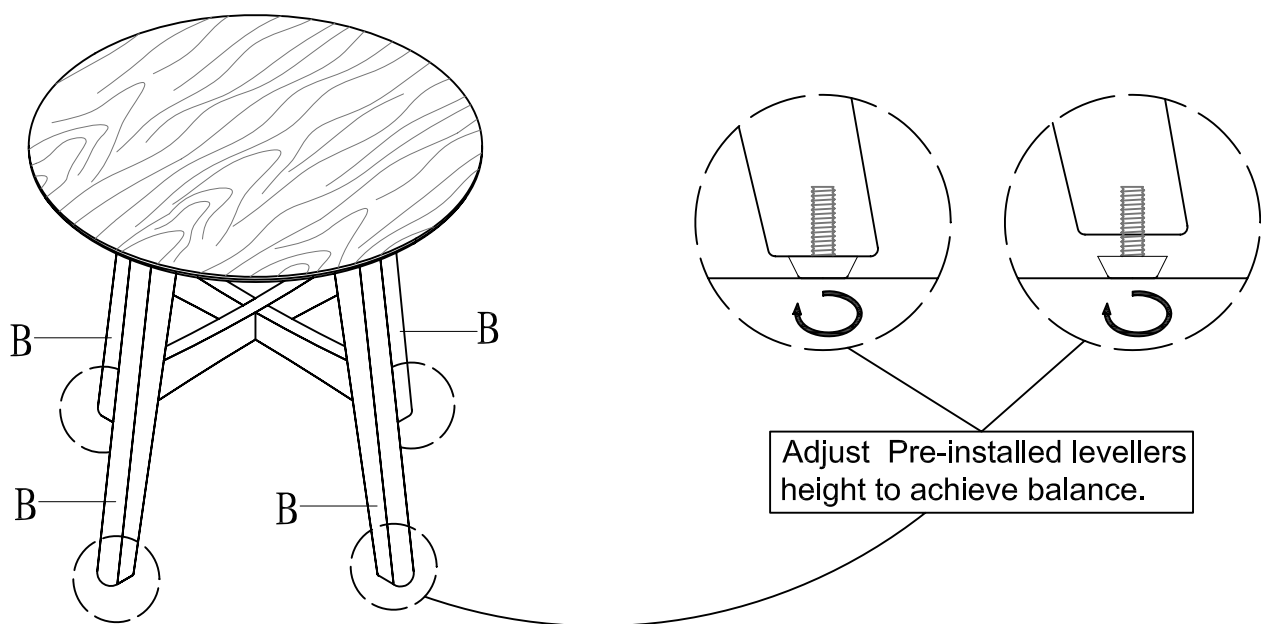
**4**

Attach the Upper Cross Bar (D) to the Lower Cross Bar (C), then assemble another two Legs (B) into the Upper Cross Bar (D) and Top Panel (A) as Step 3 methods as below drawing.



5

Adjust the pre-installed levellers at the bottom of the Leg (B) until the chair is level with the ground.



#### Cleaning & Care

Treat surface with care. Surface is resistant to scratches but is not scratch resistant. Clean surfaces with a dry or damp soft cloth. Do not use abrasive cleaners. Hardware may loosen over time. Periodically check that all connections are tight.