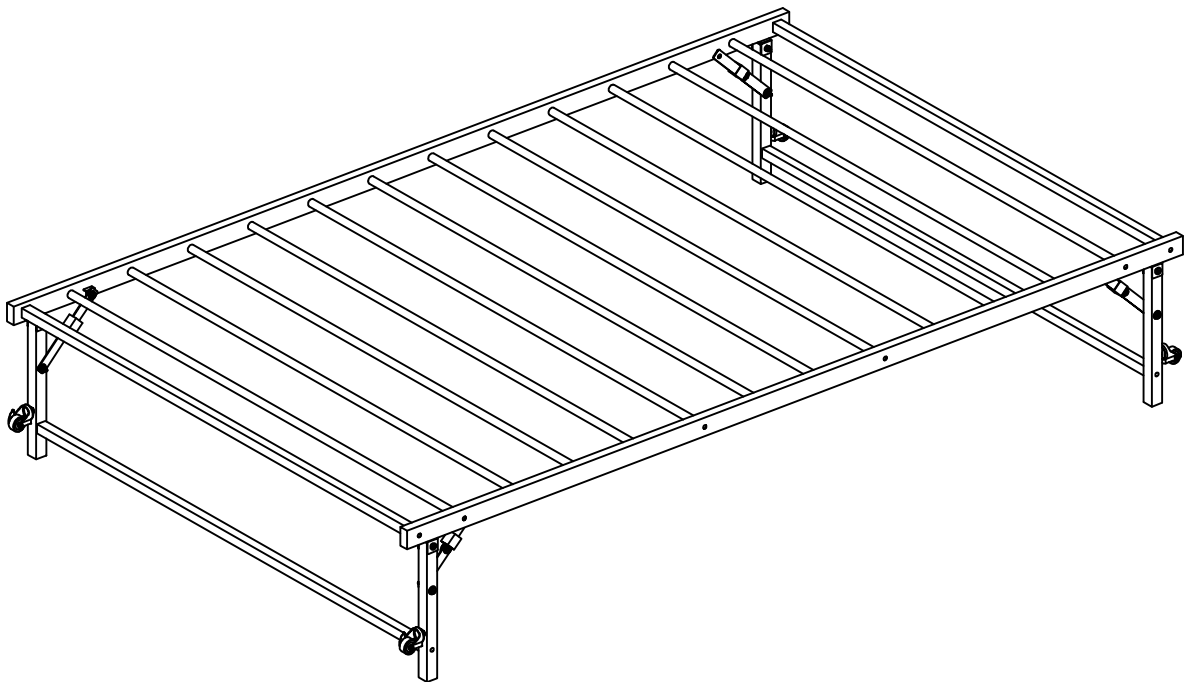


# Assembly instructions

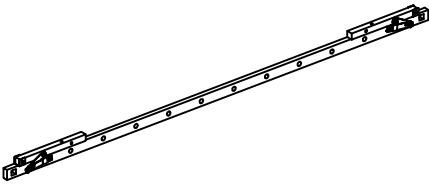
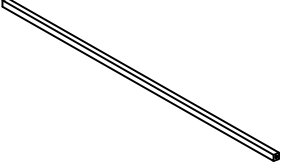
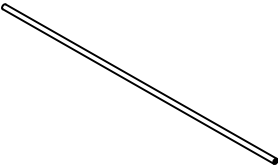
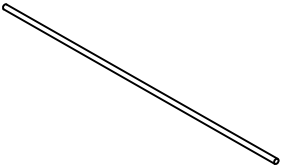
## Twin Size Trundle Bed



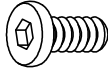
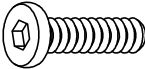


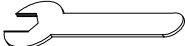

### NOTE TO CUSTOMERS:

- For ease and speed of assembly we recommend that before you commence each step of the assembly that you identify all the parts required to complete that step.
- We recommend that where possible you allow sufficient space to assemble the item as close as possible to the place where it will be once assembled.
- For the protection of your furniture we recommend that the product is placed on protected surfaces during assembly to prevent any damage.
- During assembly do not over tighten, as this may damage the product.
- Please ensure you retain all the product packaging until the item completely assembled.
- Please periodically check all fittings and re-tighten as necessary.
- It is recommended that this item should be assembled by two adults.

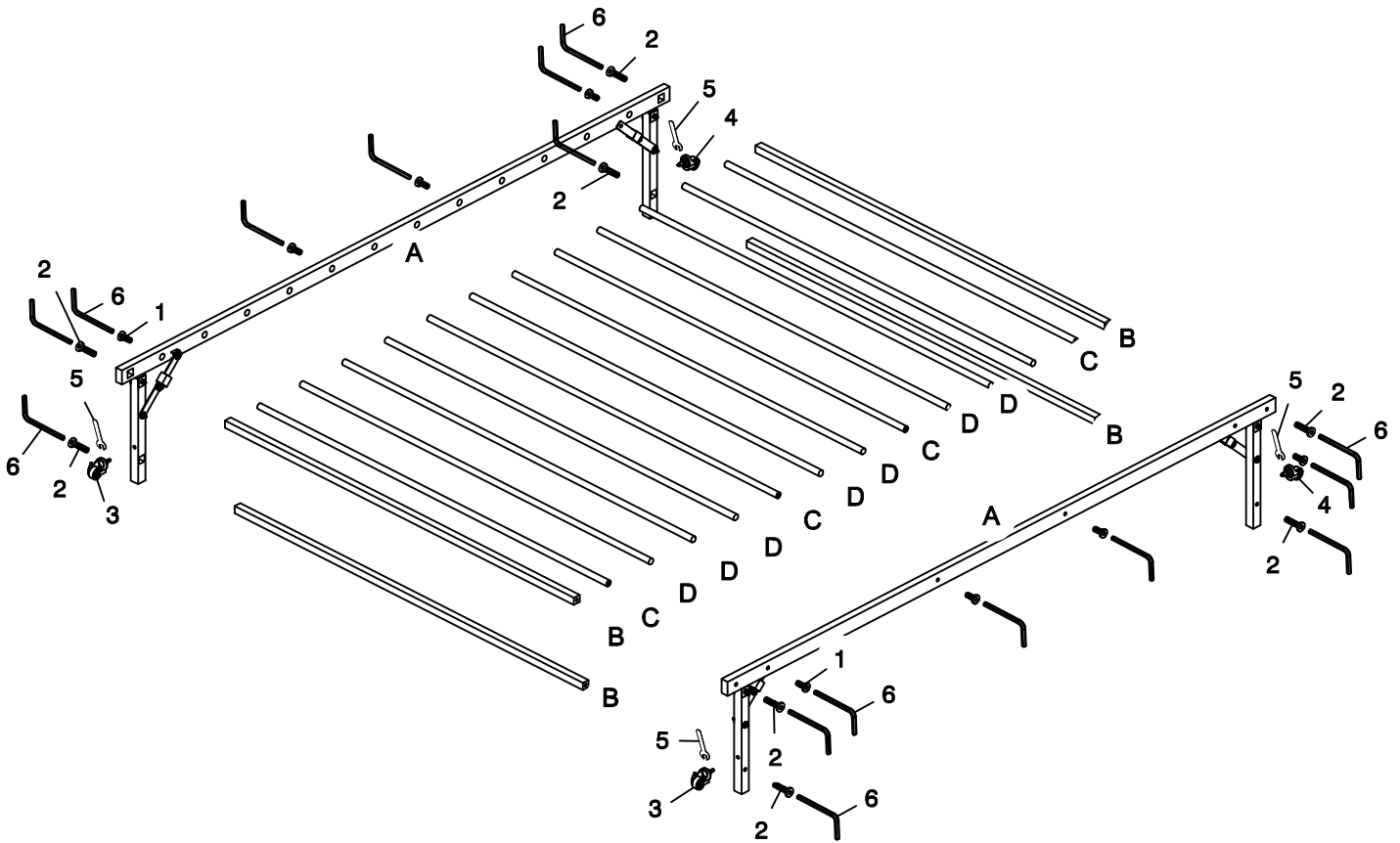
## A-Furniture Parts

Parts ID	Image	Description	Qty
A		Side Rail	2
B		Footboard	4
C		Slat	4
D		Slat	8

## B-Hardware Parts

Parts ID	Image	Description	Qty
1		Bolt M6*16mm	8
2		Bolt M6*25mm	8
3		Caster w/brake	2
4		Caster	2
5		Open Spanner	1
6		4# Allen Key	1

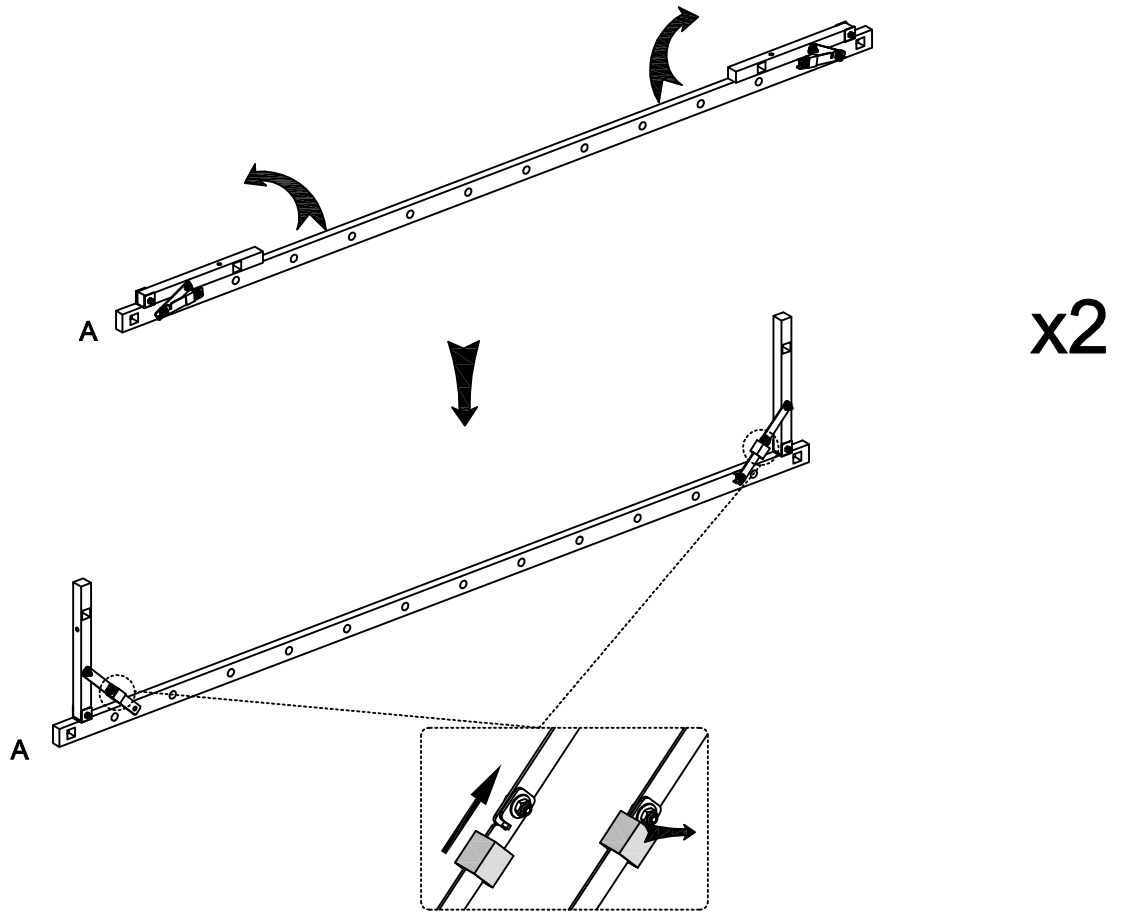
## Part List:



## Warning:

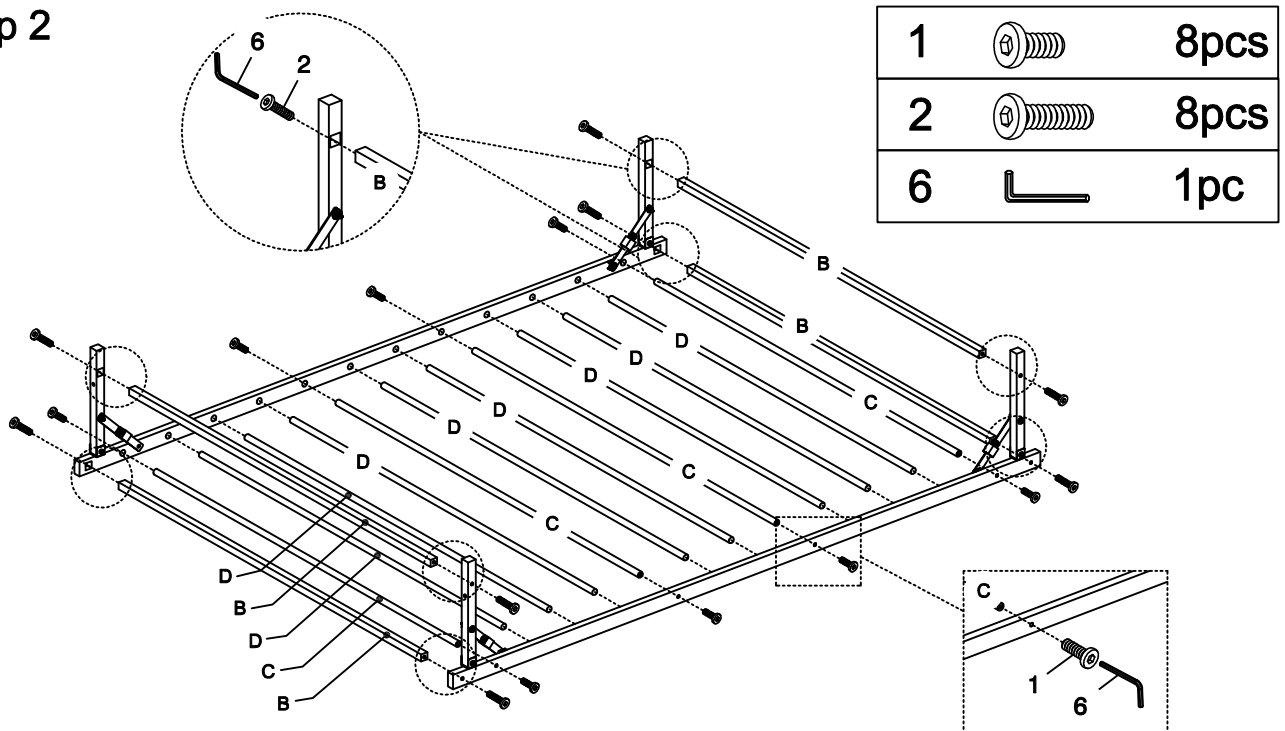
- Always use the recommended size of mattress or mattress supports to help prevent the likelihood of entrapment or falls.
- For your safety do not jump on the bed.
- The use of water or sleep flotation mattress on the bed is not recommended.
- The weight load on this bed should never exceed 300lbs. Exceeding this weight limit may cause the bed to collapse, resulting in serious personal injury and property damage.

## Step 1






Unfold the legs and slide the protective metal caps over the connecting point as shown above.

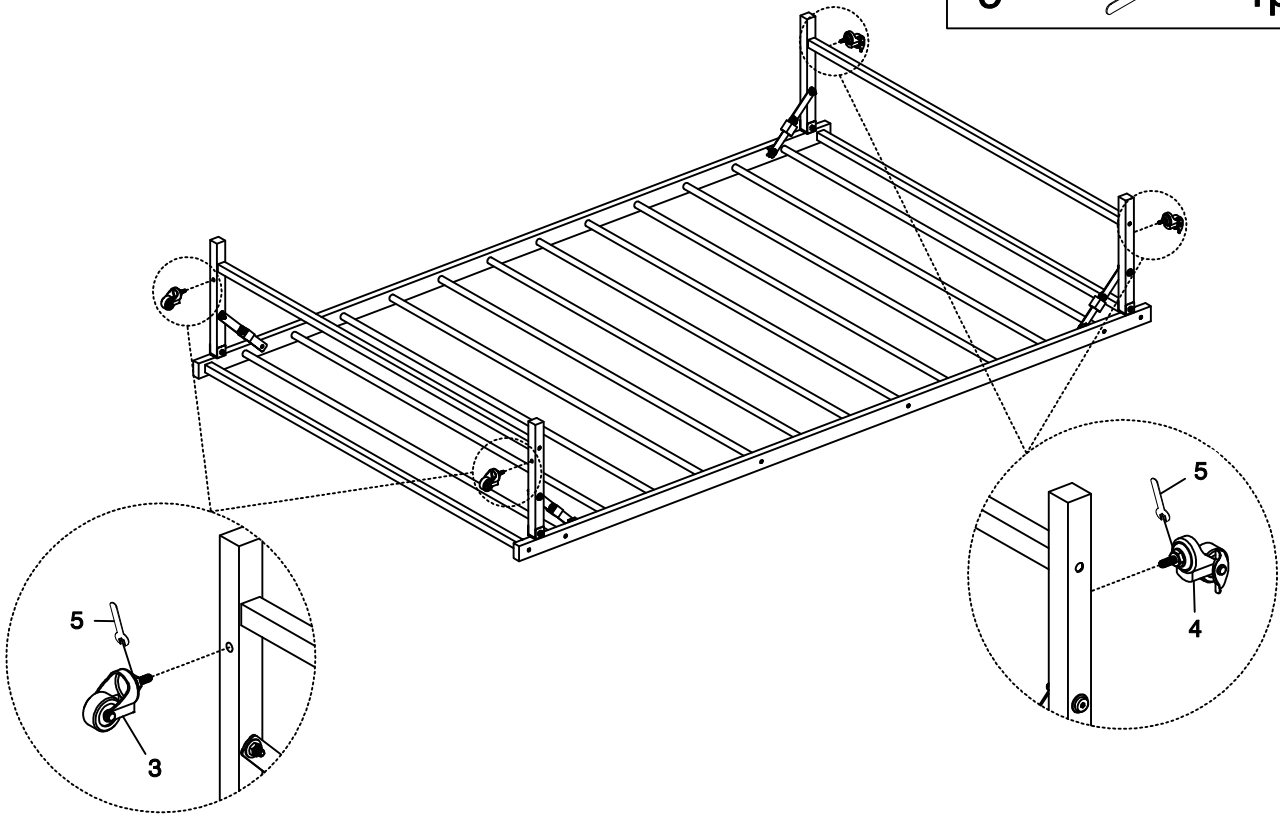
## Step 2



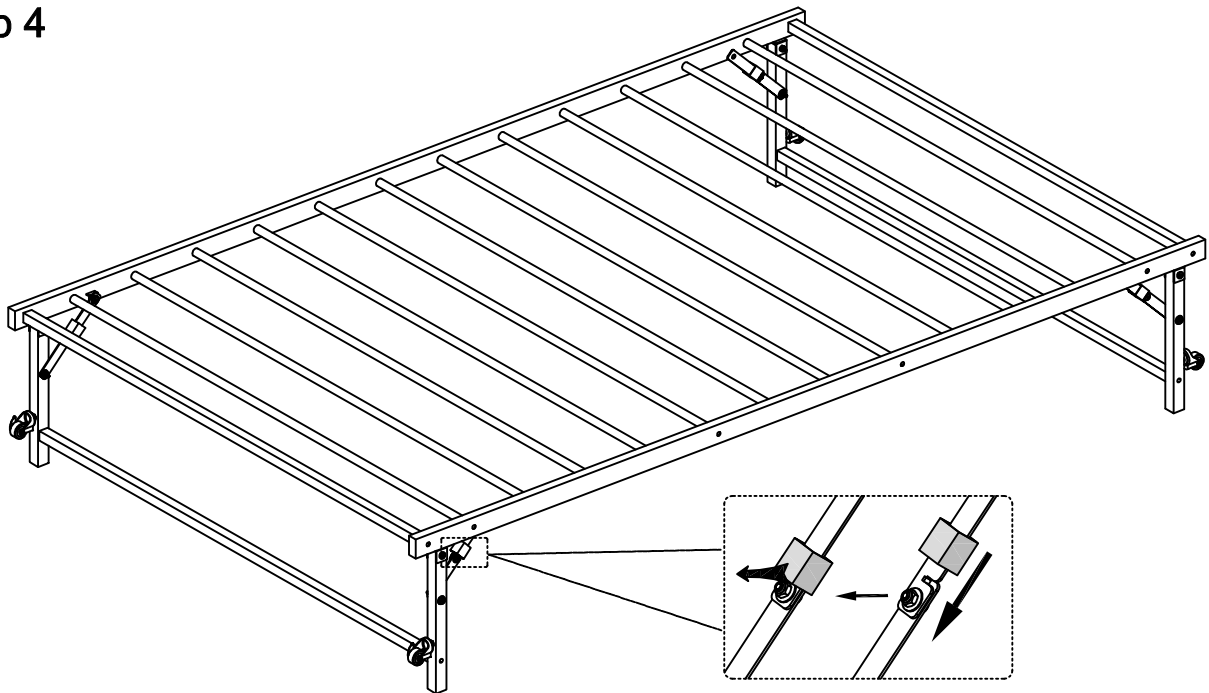
Do not fully tighten bolts(1&2) until all of them are attached.

### Step 3

3		2pcs
4		2pcs
5		1pc



### Step 4



After the caps are slid into place, double-check to make sure they are securely fitted. If necessary, adjust them until they are flush with the surface and provide full coverage.

Step 5

