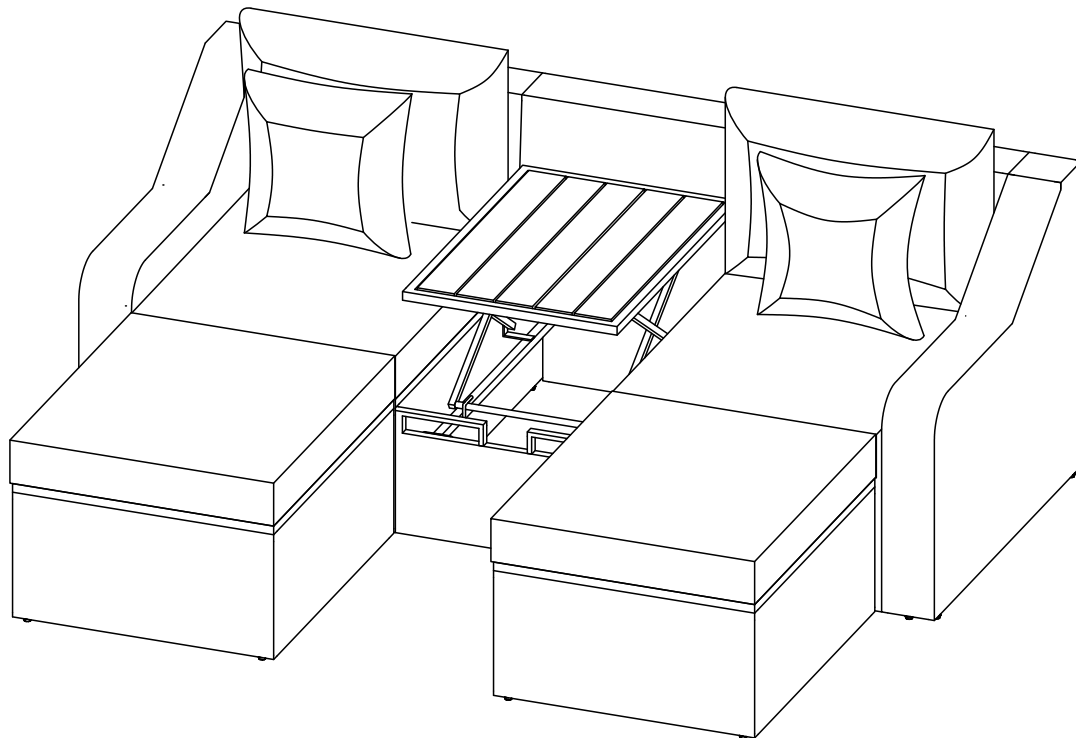


ASSEMBLY INSTRUCTION

RATTAN SOFA SET

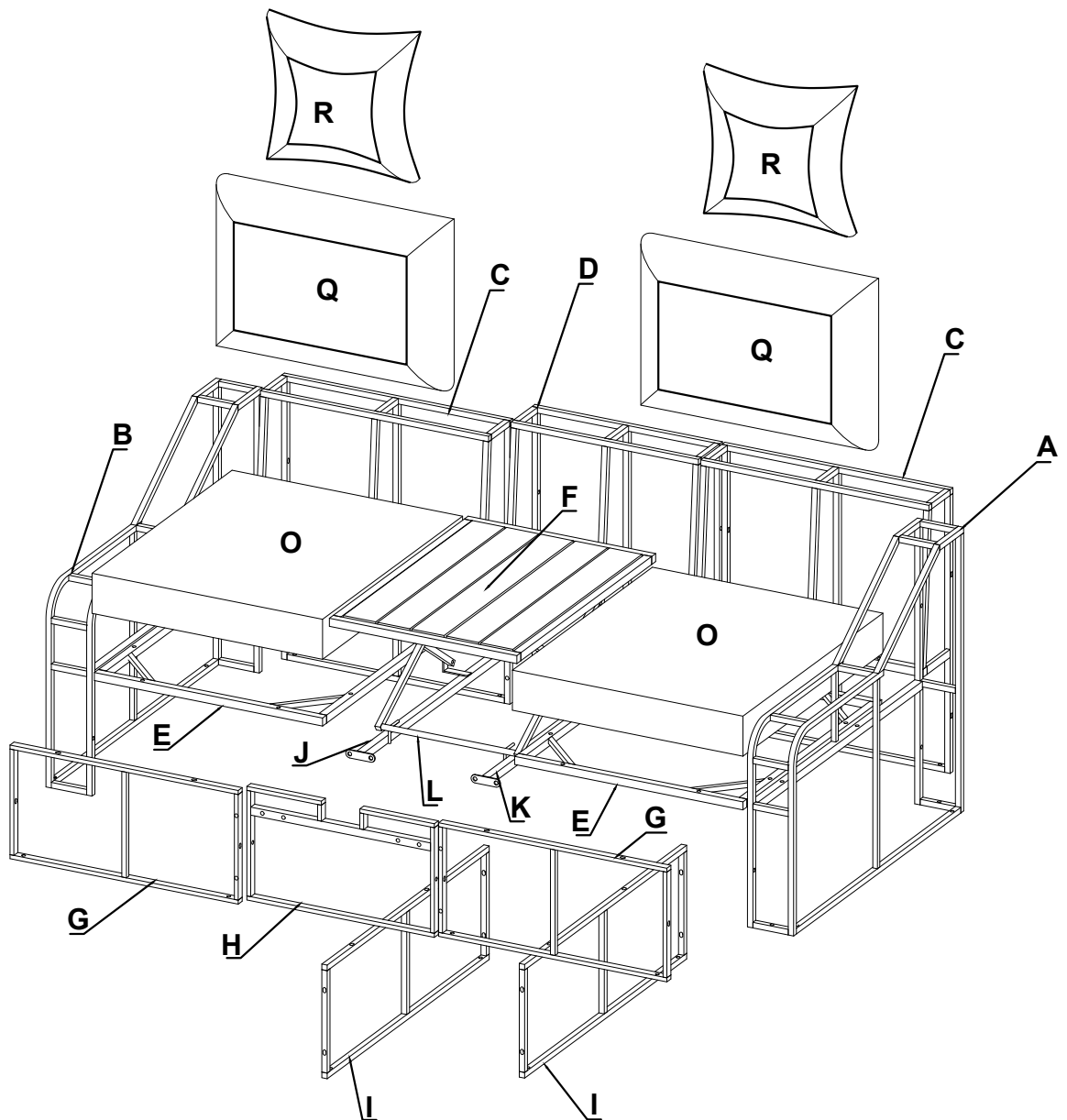
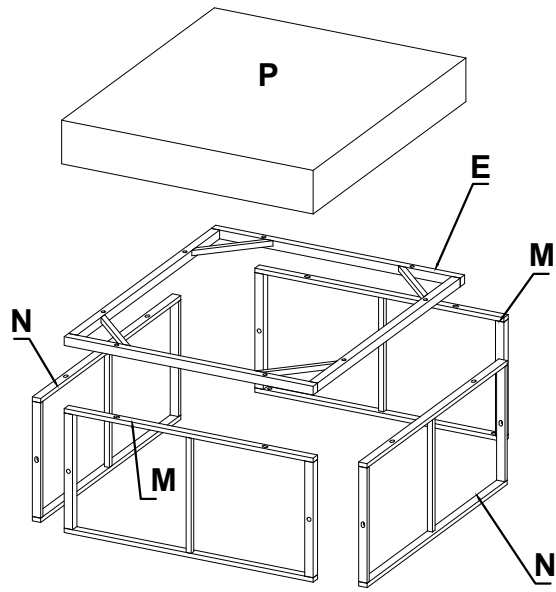


WF 285700; WF 285701

Notice

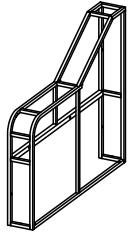
- 1. 50% Tighten before fixings all screws, Allen wrench is recommended instead of an electric drill.**
- 2. Place the item on a flat ground to adjust and make sure it remains stable.**
- 3. Tighten up all screws with tools gradually.**
- 4. If the screws are not aligned with holes during assembly, please loosen all all the other screws to 50% and continue the assembly process.**
- 5. If the item is not stable, please loosen all the screws, adjust it on a flat ground and tighten up all screws again.**
- 6. Note: If one or more screws are fully tightened during assembly, chances are the others will not be aligned with holes. In addition, all the holes are designed to be relatively larger to provide more space for the adjustment of the screws.**

(x2)



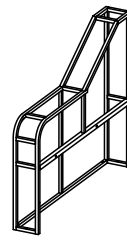
Part list & Hardware

A



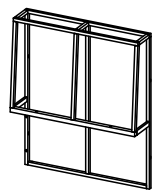
1 pc

B



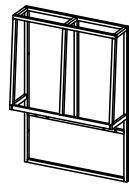
1 pc

C



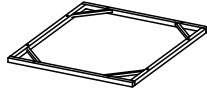
2 pcs

D



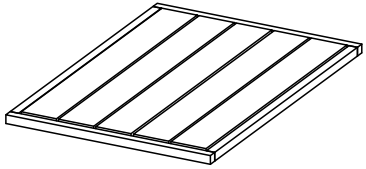
1 pc

E



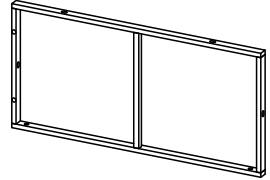
4 pcs

F



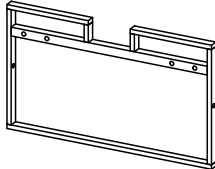
1 pc

G



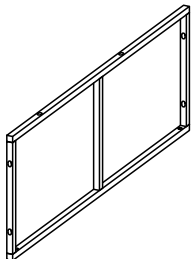
2 pcs

H



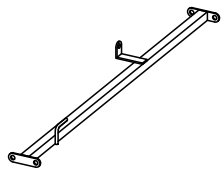
1 pc

I



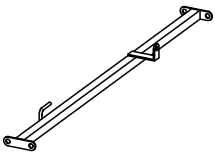
2 pcs

J



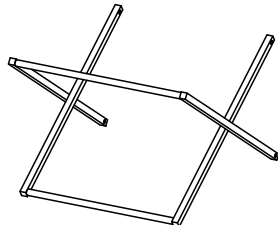
1 pc

K



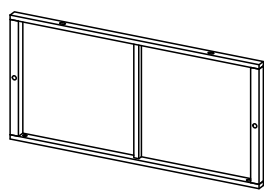
1 pc

L



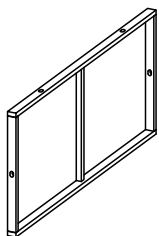
1 pc

M



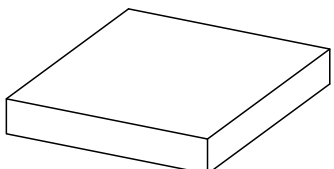
4 pcs

N



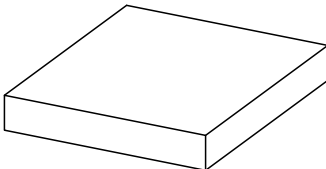
4 pcs

O



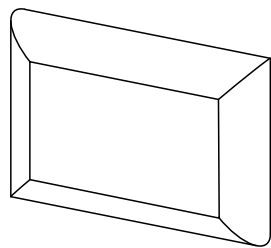
2 pcs

P



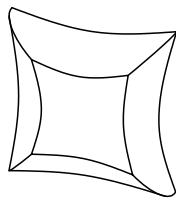
2 pcs

Q



2 pcs

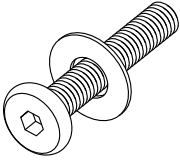
R



2 pcs

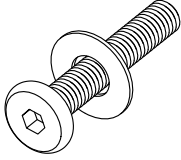
Part list &Hardware

1



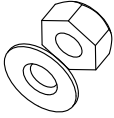
**Bolt M6x15 mm
(24 pcs)+extra 2pcs**

2



**Bolt M6x35 mm
(52 pcs)+extra 3 pcs**

3



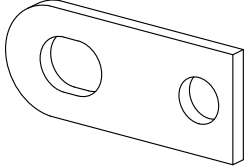
Nut M6(4 pcs)+extra 1pc

4



**Plastic feet
(24 pcs)**

5



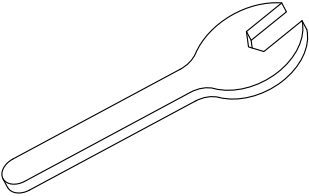
Connector (8 pcs)

6




Allen key M4 (2 pcs)

7



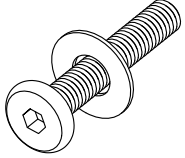
Spanner (1 pc)

8



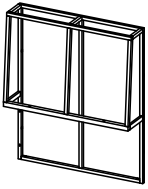
**Plastic washer 2mm
(4 pcs)**

9

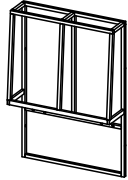


**Bolt M6x45 mm
(8 pcs)+extra 1 pc**

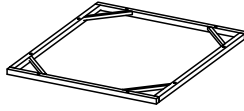
WF285700



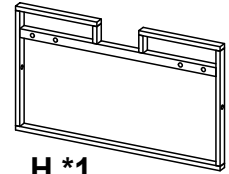
C *2



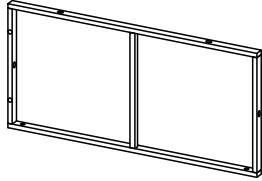
D *1



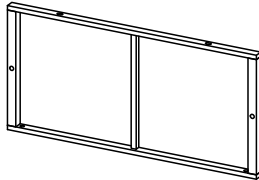
E *2



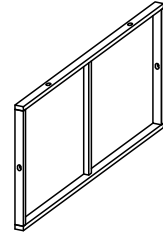
H *1



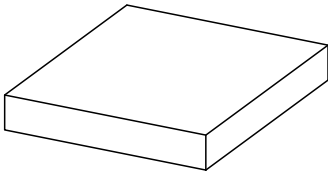
G *2



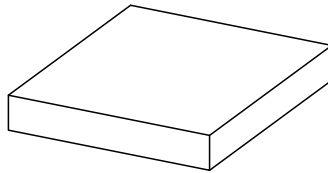
M *4



N *4



O *2

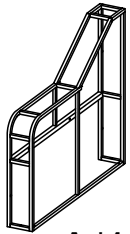


P *1

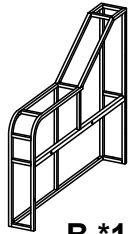


HARDWARE

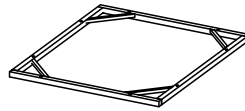
WF285701



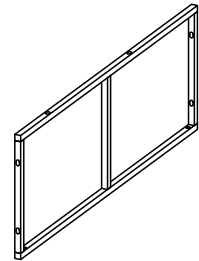
A *1



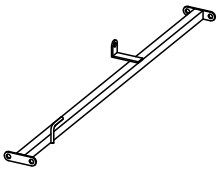
B *1



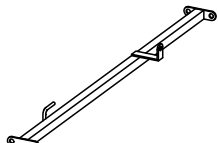
E *2



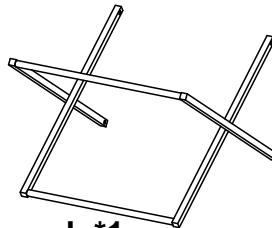
I *2



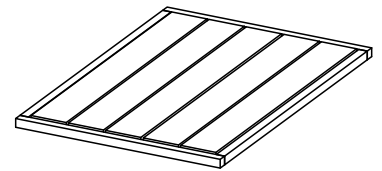
J *1



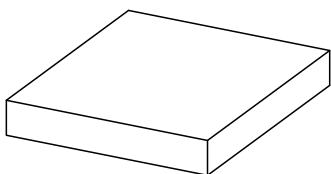
K *1



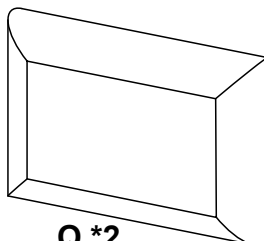
L *1



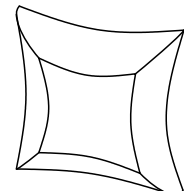
F *1



P *1

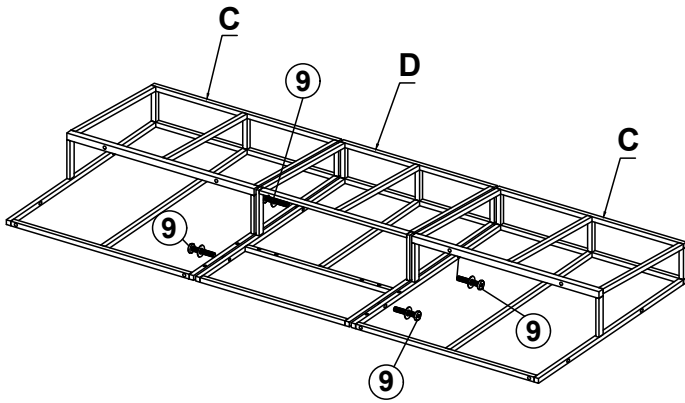
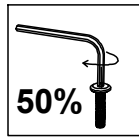
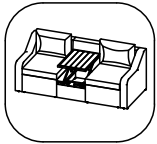


Q *2



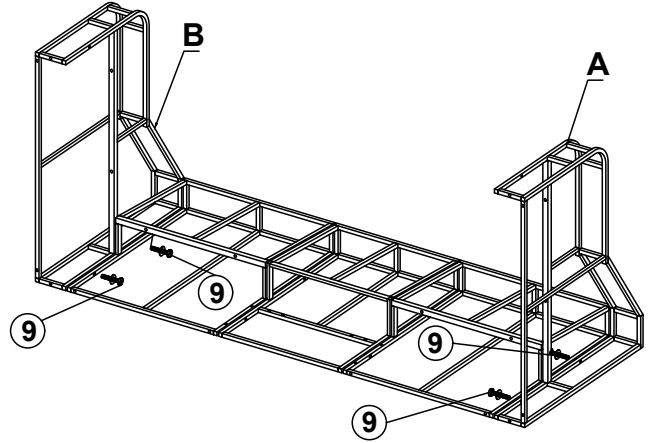
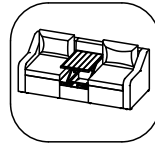
R *2

STEP 1



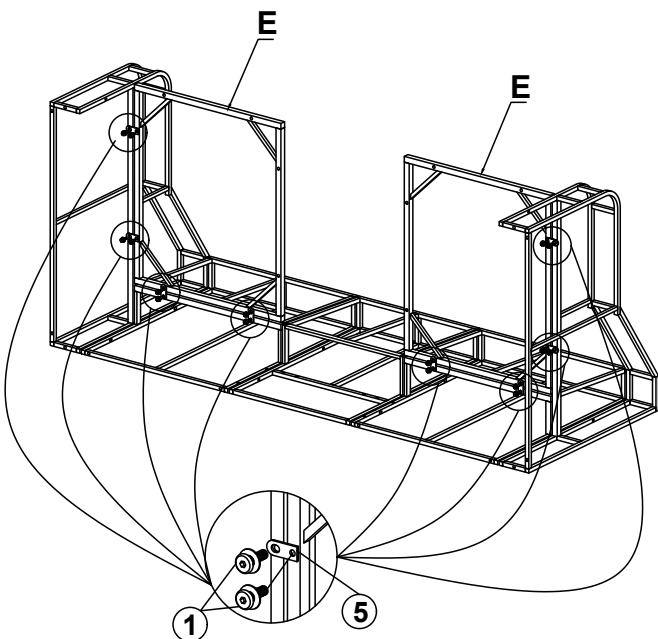
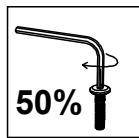
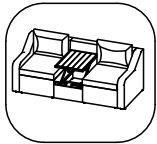
9*4

STEP 2



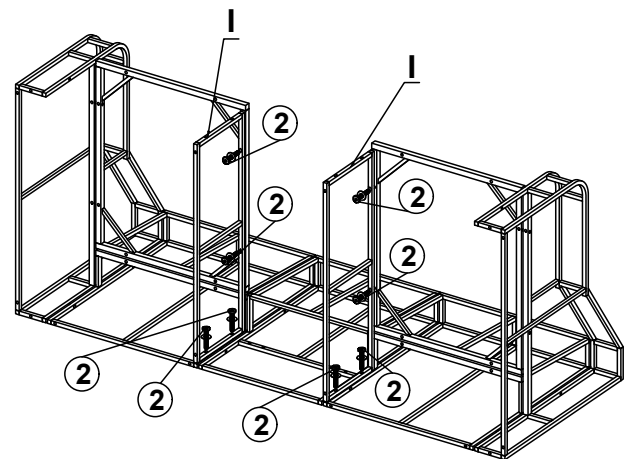
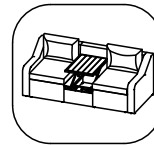
9*4

STEP 3



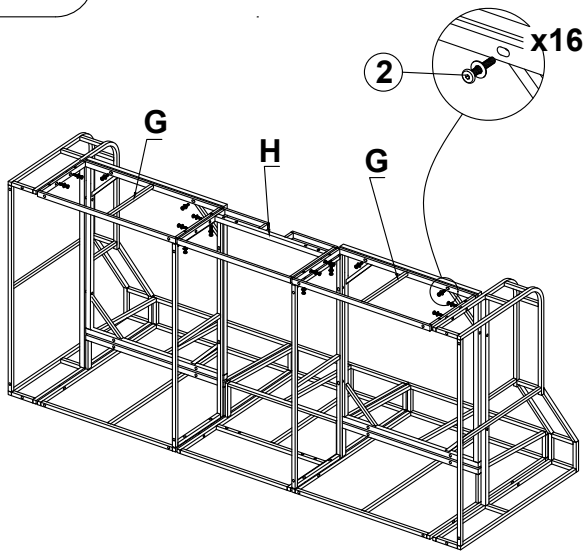
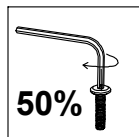
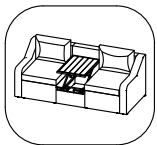
1*16 5*8

STEP 4



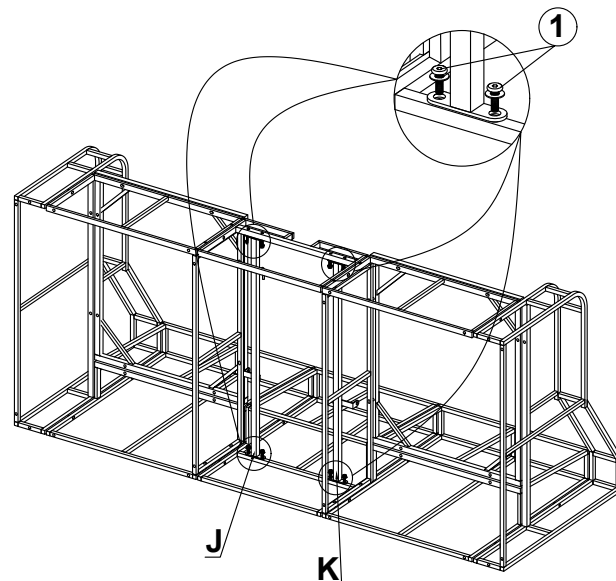
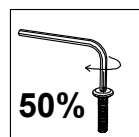
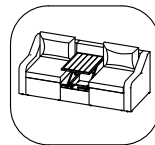
2*8

STEP 5



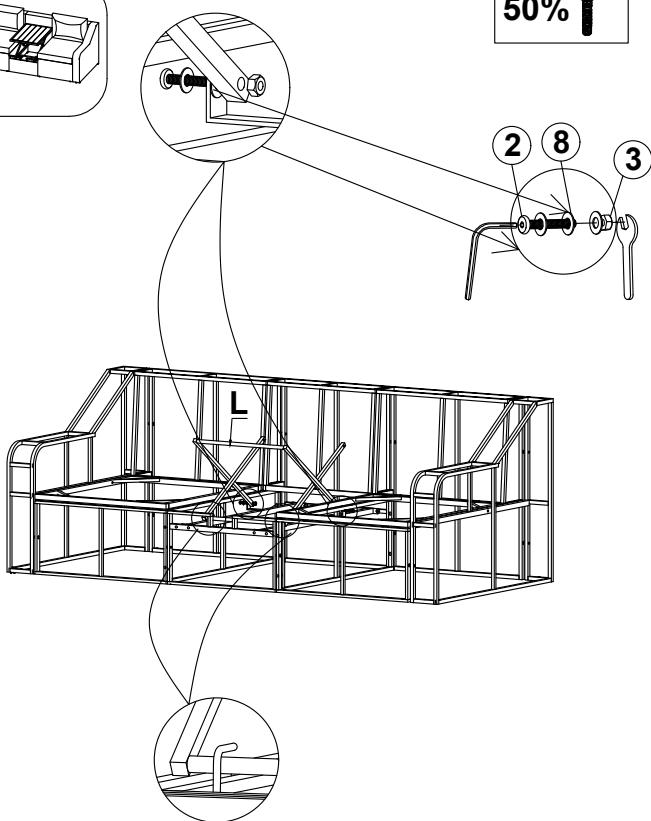
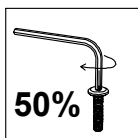
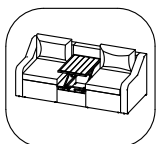
2*16

STEP 6



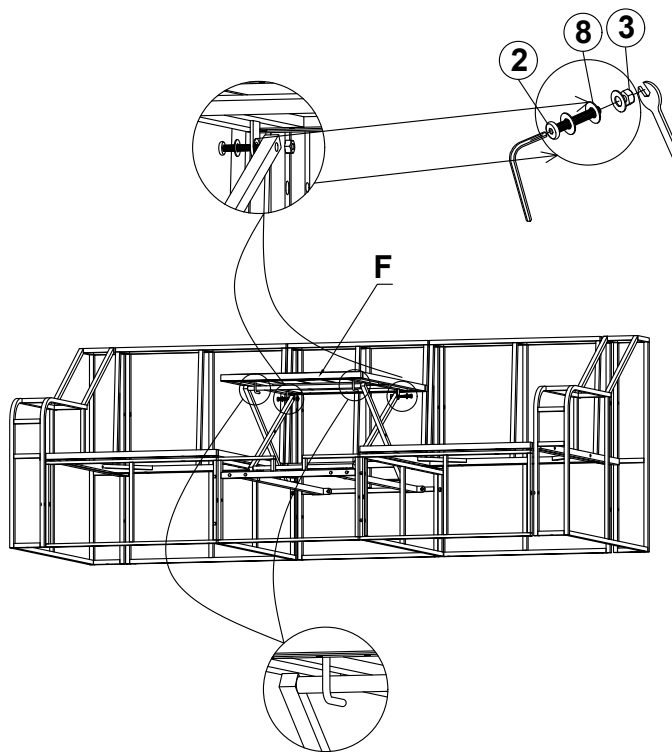
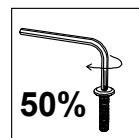
1*8

STEP 7



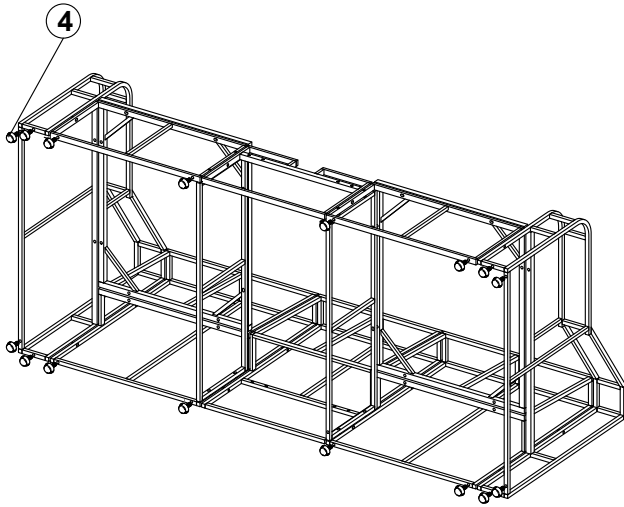
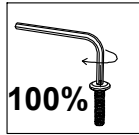
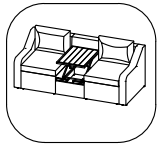
2*2 3*2 8*2

STEP 8

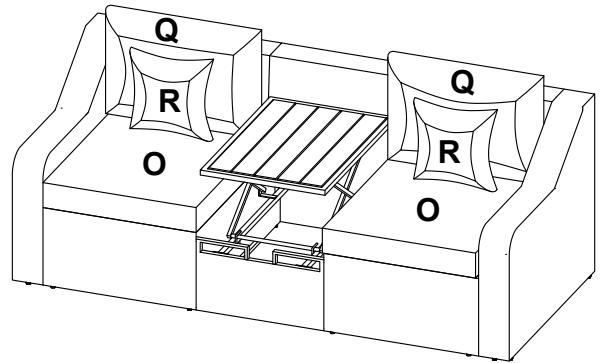
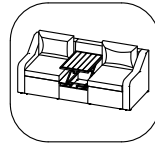


2*2 3*2 8*2

STEP 9

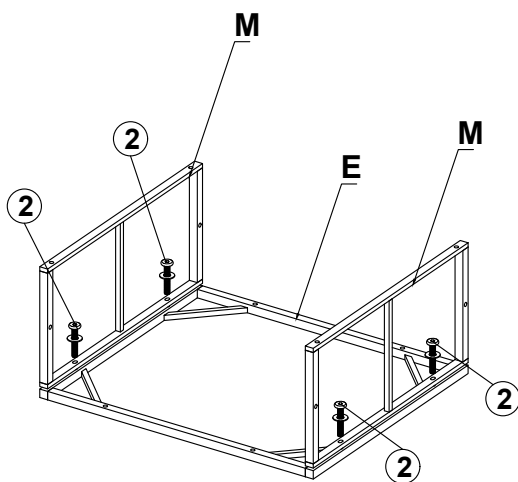
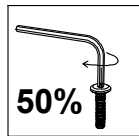
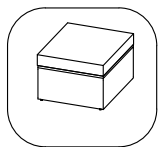


STEP 10

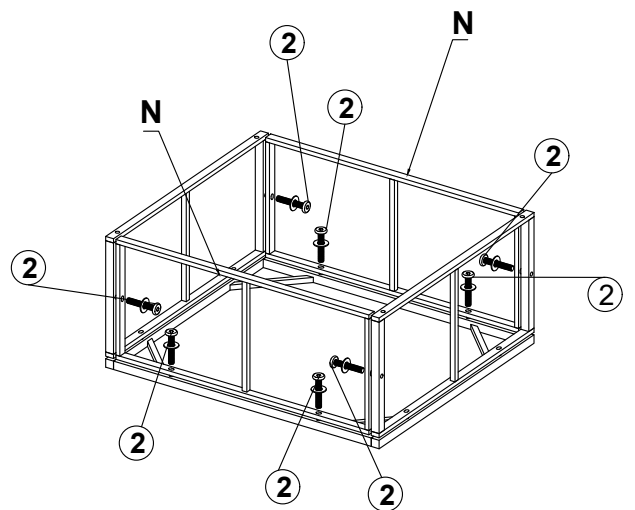
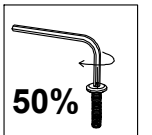
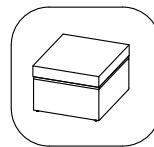


4*16

STEP 11x2



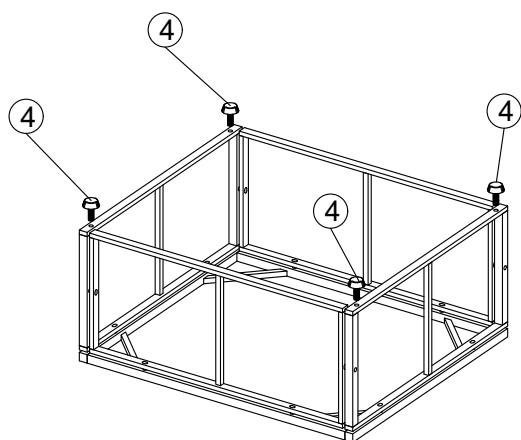
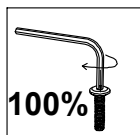
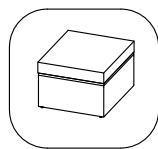
STEP 12x2



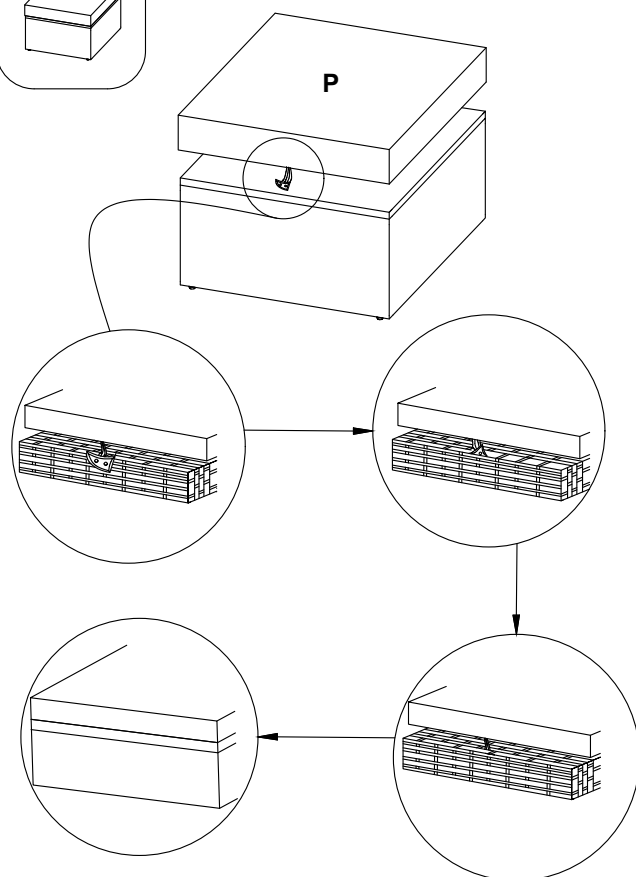
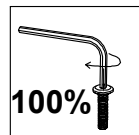
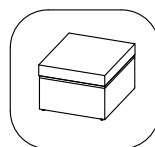
2*4

2*8

STEP 13x2



STEP 14x2



4*4

STEP 15

