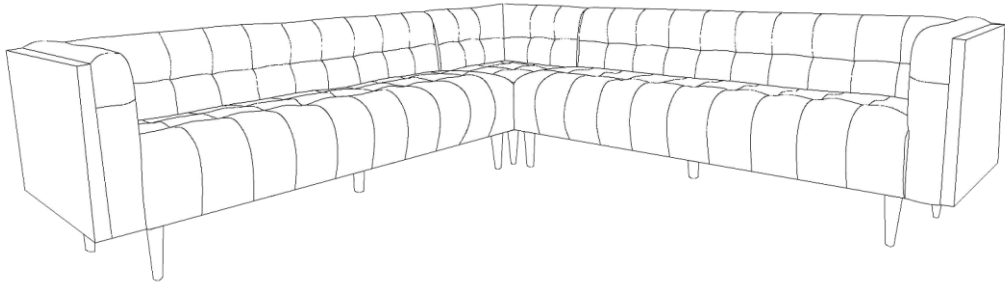


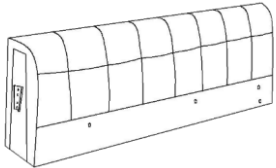
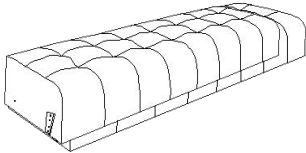
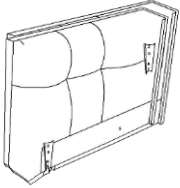
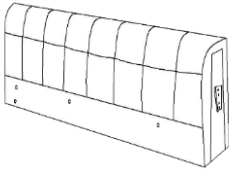
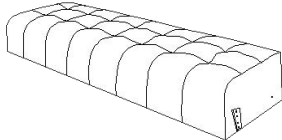
Assembly Instructions

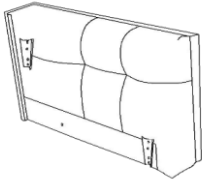


Caution: You must read this before you proceed

Sectional








Parts List

Label	Picture	Description	QTY(pc)
A		Left Backrest	1
B		Left Seat Base	1
C		Left Arm	1
D		Right Backrest	1
E		Right Seat Base	1

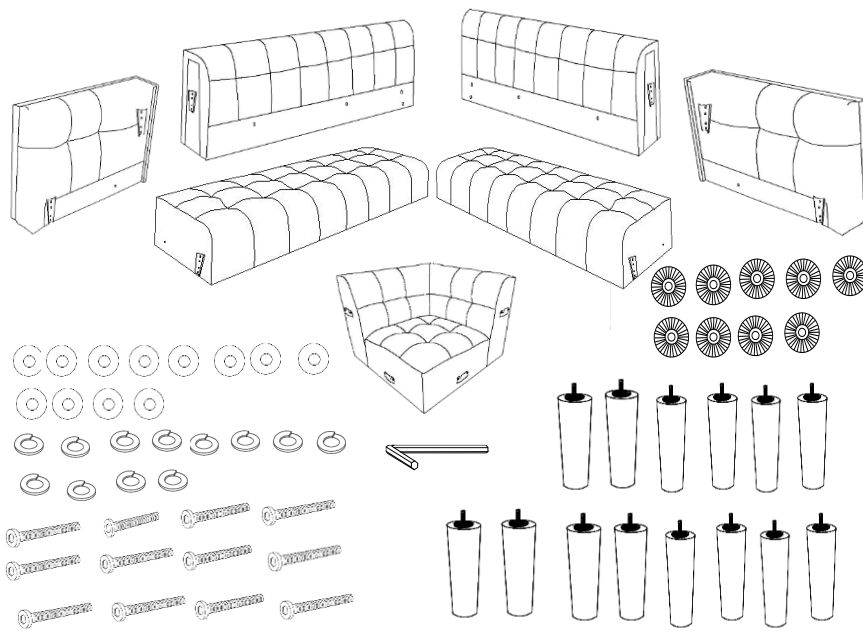
F		Right Arm	1
G		Corner Seat Base	1
H		Leg with 1 Plastic Gasket	14

Hardware List

Label	Picture	Description	QTY
①		Plastic Gasket	9
②		Allen Key	1
③		Spring Ring	12
④		Flat Gasket	12
⑤		Bolt(M8*70mm)	12

Assembly Preparation

Before
Beginning
Assembly:



- Read instructions, cover to cover-



- Have 2 adults on hand for assembly-



- Do not assemble on flooring or carpet-

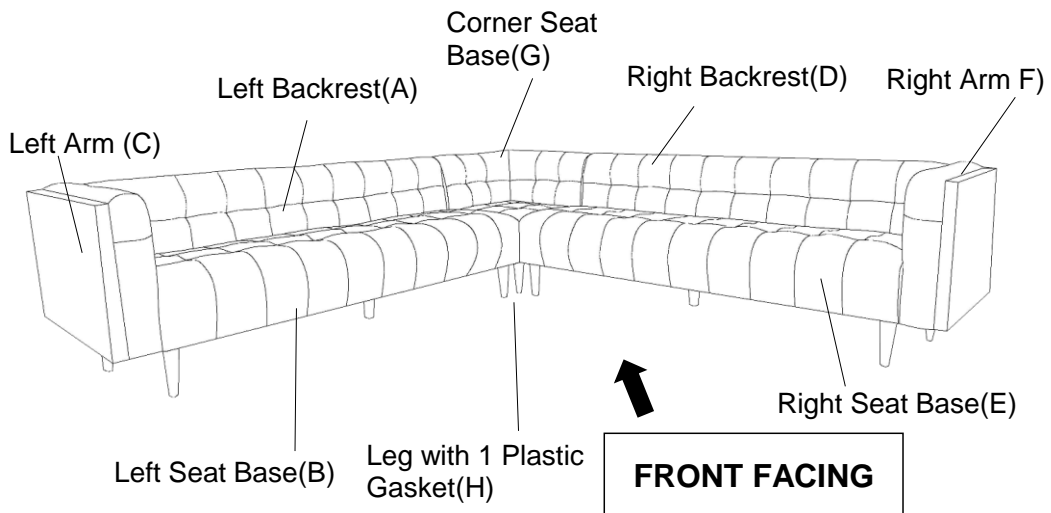


- Assemble on a clean non-marring surface (packing foam)-



- Save all packaging until finished-

Assembly Steps



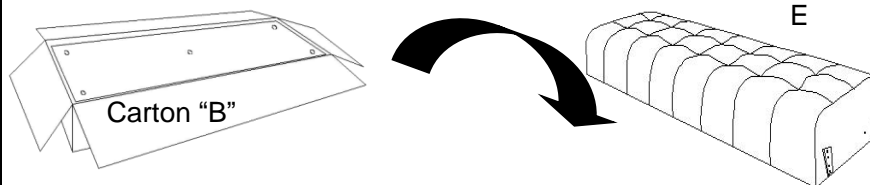
This Sofa has multiple parts and may require about 30 minutes to assemble. To give you an overview of the Sofa parts, the above picture is to help you put the various parts into perspective. Please read through the instructions below to familiarise yourself with the parts and steps before assembly.

Step 1



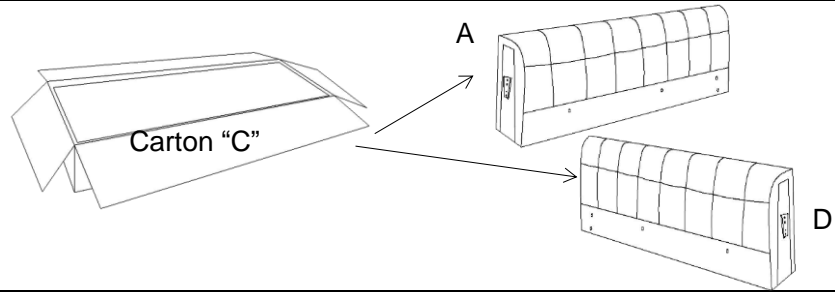
Take the Left Seat Base (B) out from the carton "A" and place it on a clean, non-marring surface.

Step 2



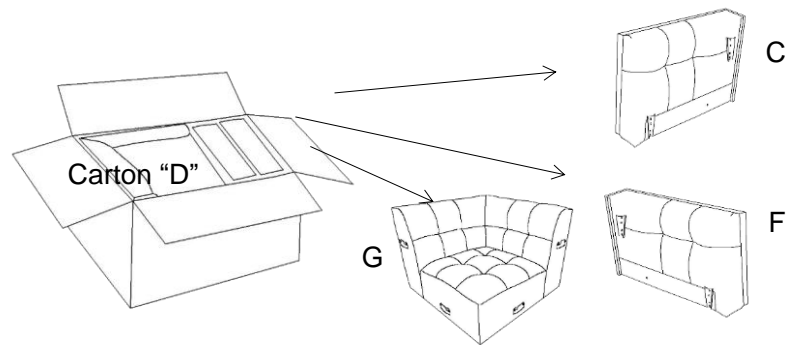
Take the Right Seat Base (E) out from the carton "B" and place it on a clean, non-marring surface.

Step 3



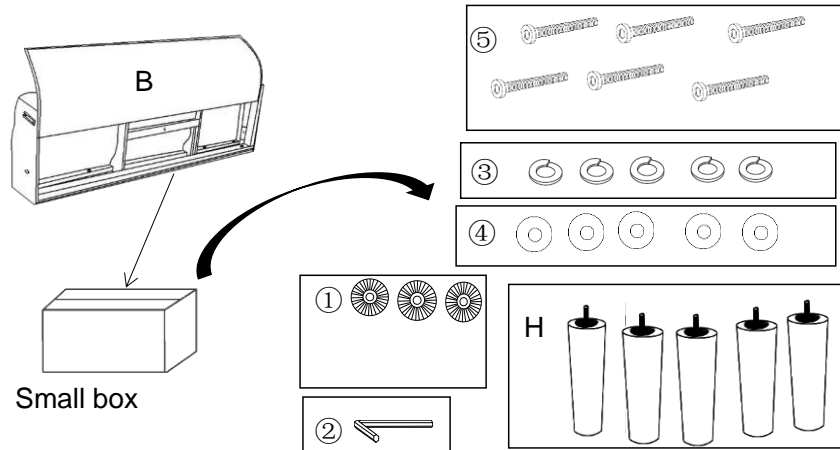
Take out the Left Backrest(A) and the Right Backrest(D) from the Carton "C", place them on a clean, non-marring surface.

Step 4

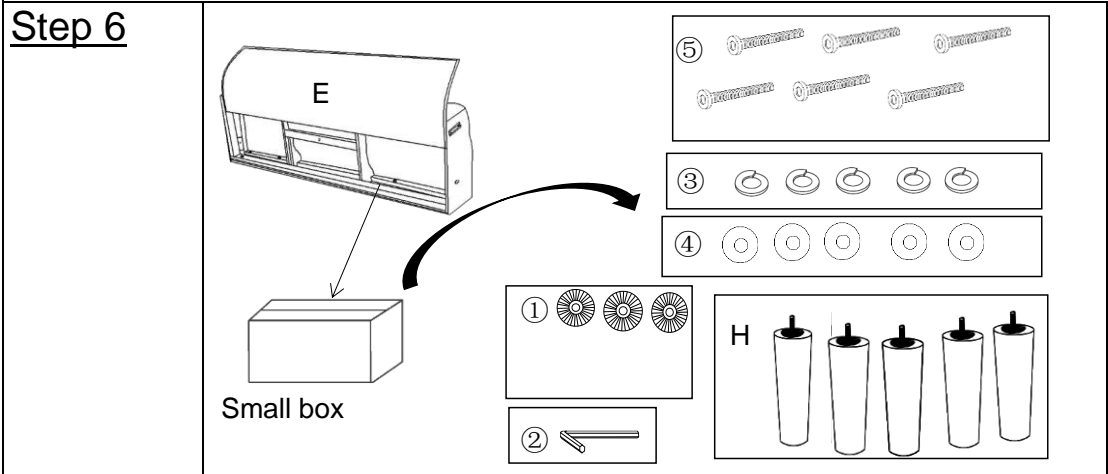


Take out the Left Arm(C), the Right Arm(F), the Corner Seat Base(G) and a small box from the Carton "D", place them on a clean, non-marring surface.

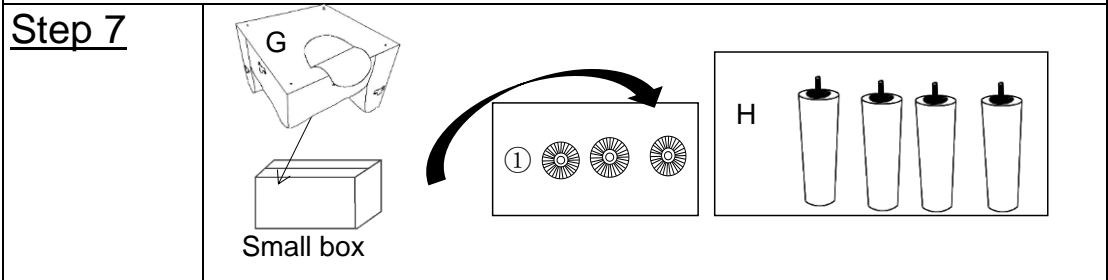
Step 5



Take out the small carton from under the Left Seat Base(B) and then open it to take out the Hardware and the Legs(H).

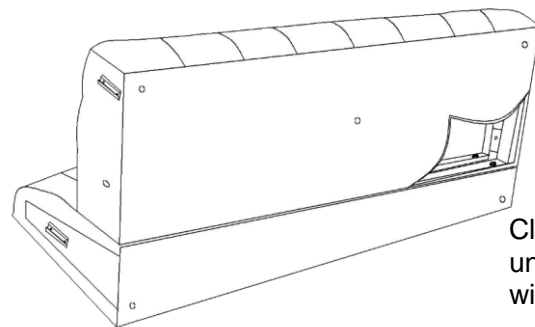
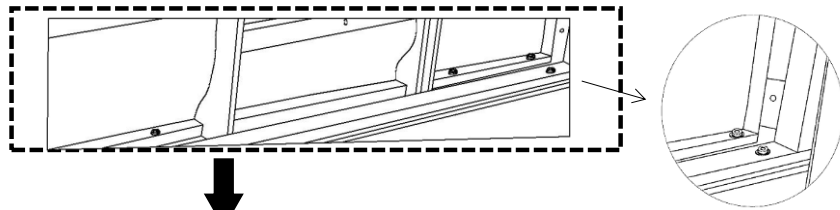
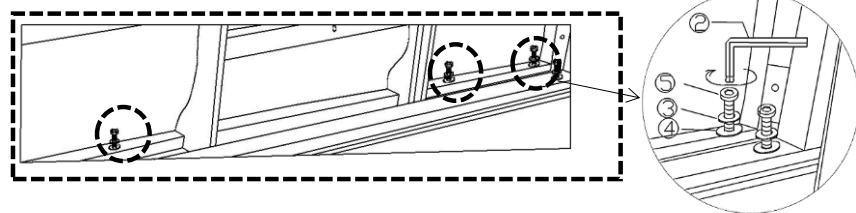
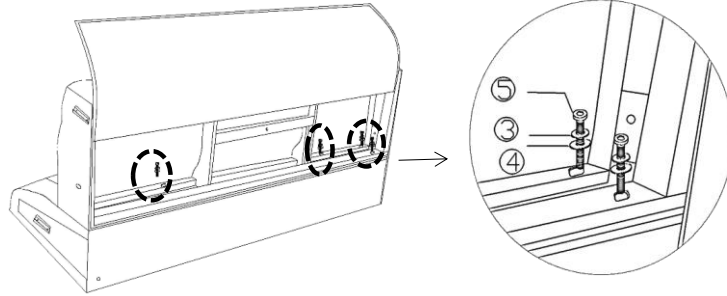
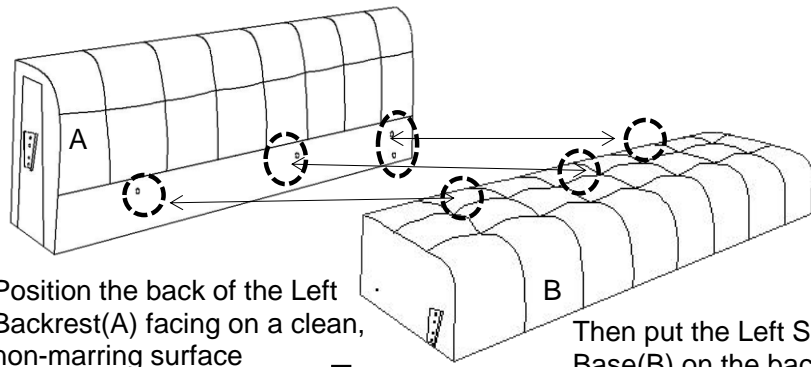


Take out the small carton from under the Right Seat Base(E) and then open it to take out the Hardware and the Legs(H).



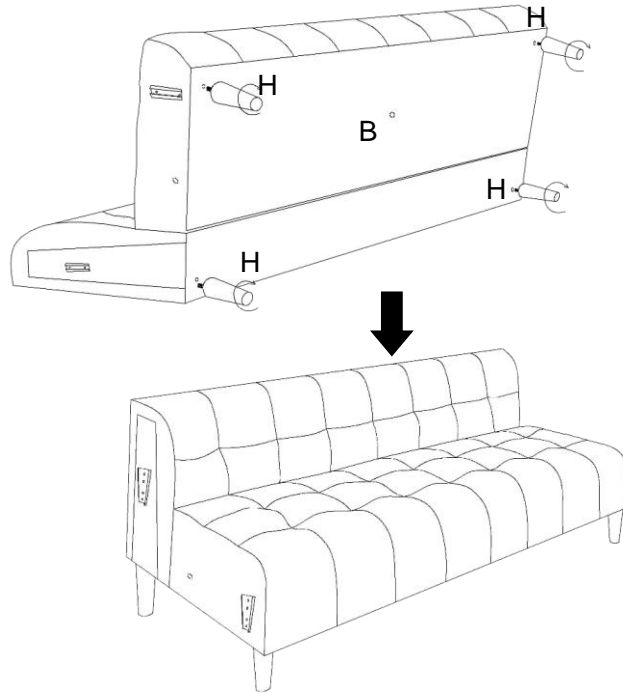
Take out the small carton from under the Corner Seat Base(G) and then open it to take out the Hardware and the Legs(H).

Step 8



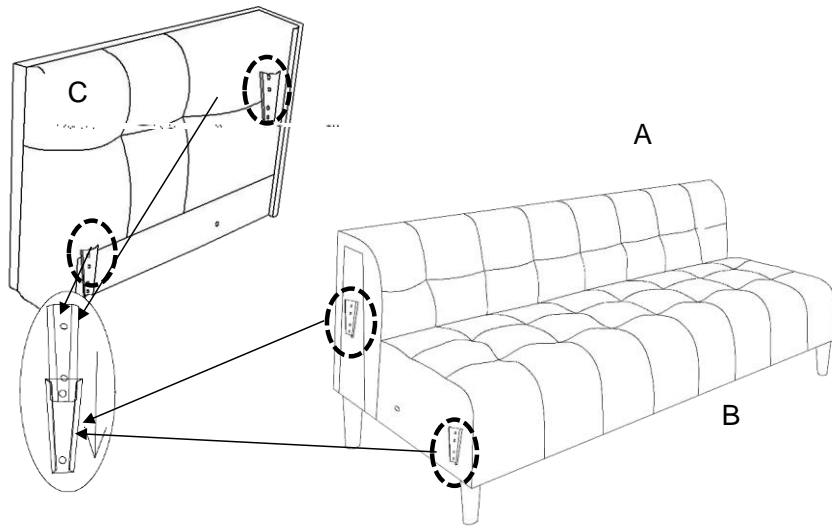
With assistance from your adult partner, align the mounting position on the back side of the Left Seat Base(B) to the mounting position of the Left Backrest(A). Using the Allen Key(②) secure the Left Backrest(A) to the bottom of the Left Seat Base(B) with Bolts(⑤), Spring Washers(③)and Flat Gaskets(④). Insert all the Bolts(⑤) half-way through starting one by one as pictured. Then tighten the Bolts(⑤) with the Allen Key(②).

Step 9

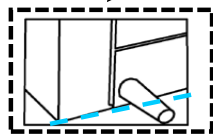
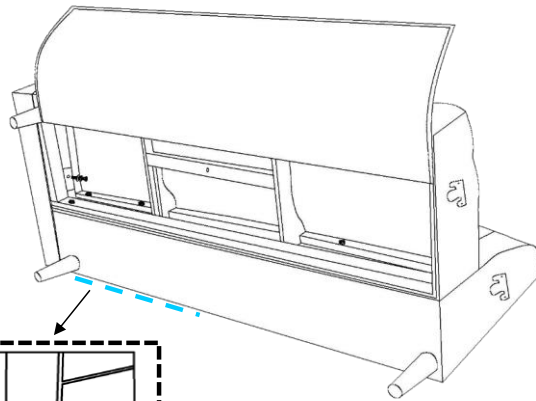
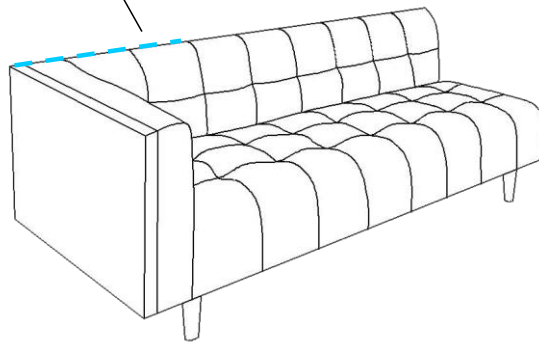
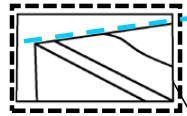


Carefully install the Wooden Legs with 1 Plastic Gasket(H) at the bottom of the Left Seat Base(B).

Step 10



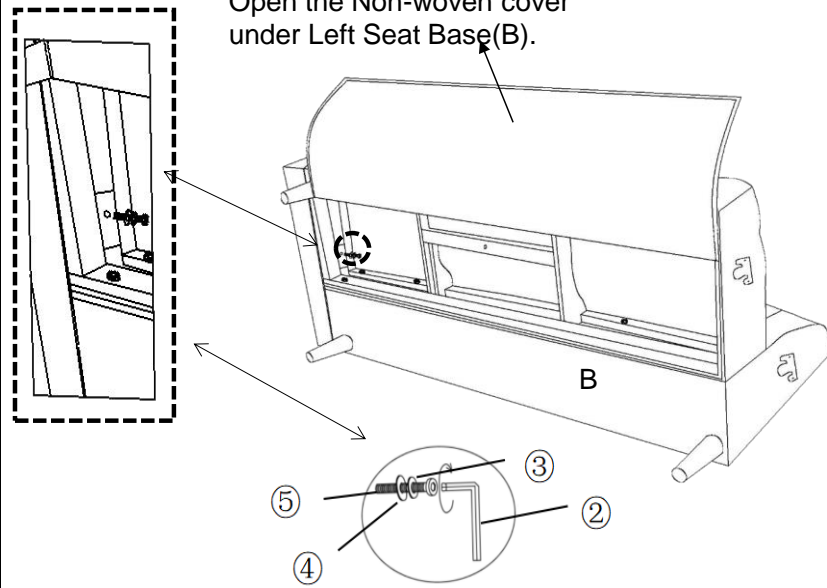
Push the Left Arm(C) downwards and make sure the top side is at the same level as the Left Backrest(A).



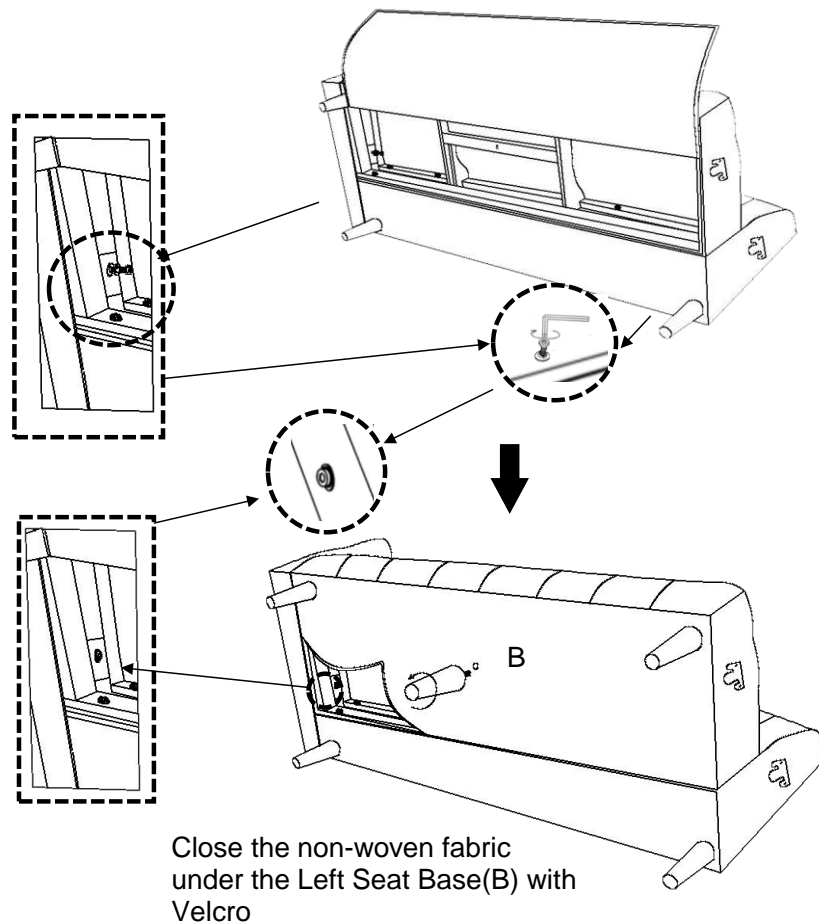
Meanwhile you will find the bottom of the Left Backrest(A), the Left Arm(C) and the Left Seat Base(B) are at the same level.

With assistance from your adult partner, align the mounting brackets on the Left Arm(C) with the ones on the Left Backrest(A) and the Left Seat Base(B). Then slide the Left Arm(C) downwards to make sure it locks into place as pictured. **Please squeeze the armrests properly against the backrest to ensure that the inserts can be assembled smoothly.**

Step 11

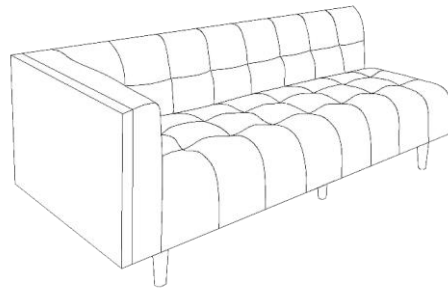


Insert a Bolt(5) and tighten the Bolt(5) with the Allen Key(2).



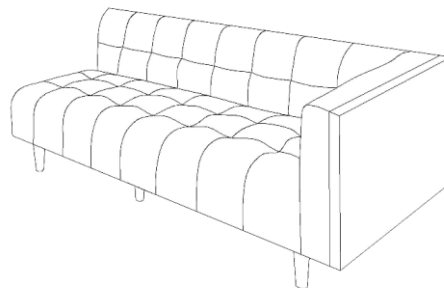
Use the Allen Key(②) to secure the Left Arm(C) to the Left side of the Left Seat Base(B) with Bolts(⑤), Spring Washers(③)and Flat Gaskets(④).
Insert a Bolt(⑤) half-way through starting one by one as pictured.
Then tighten the Bolts(⑤) with the Allen Key(②).

Step 12



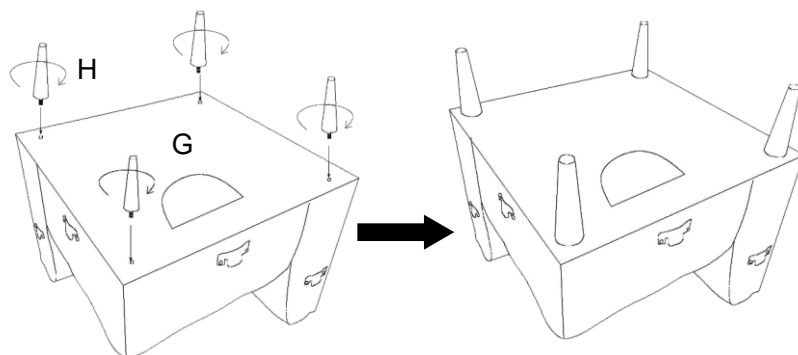
Now the Left Sofa is complete and ready for the other parts to be Assembled.
This Sofa can only be used on a flat, level surface.

Step 13



Do the same Steps(8 to11) as the left sofa to assemble the Right Sofa as the pictured above.
Now the Right Sofa is complete and ready for the other parts to be Assembled.

Step 14



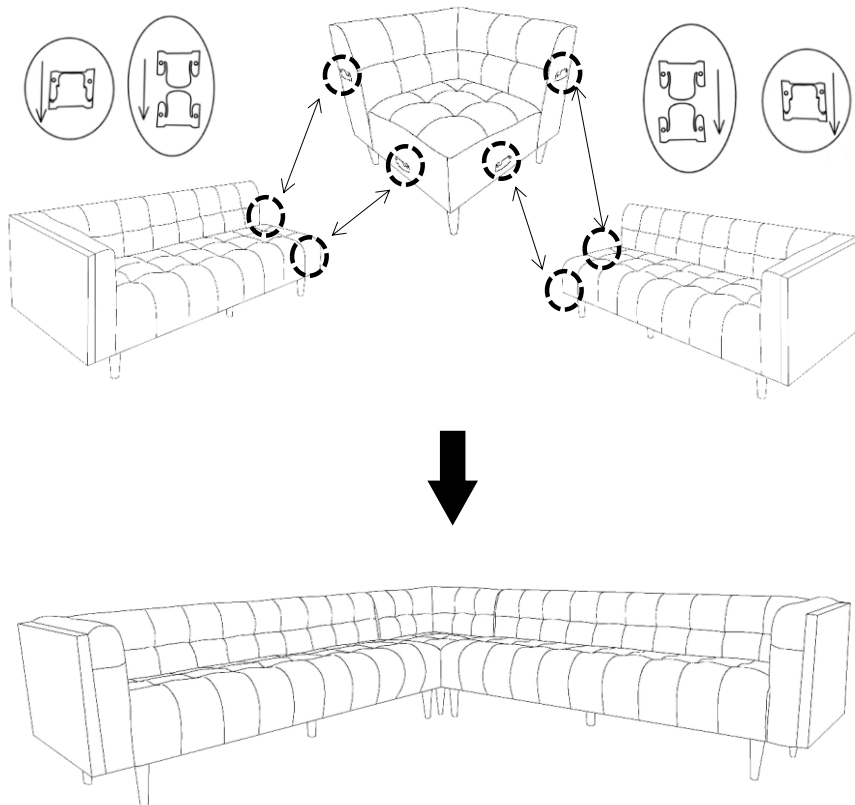
Carefully install the Wooden Legs with 1 Plastic Gasket(H) at the bottom of the Corner Seat Base(G) and tighten them by turning the Legs clockwise.

Step 15



Now the Corner is complete and ready for the other parts to be Assembled.







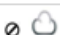




Step 16



Connect the Metal Brackets on the right side of the Left sofa, both sides of the Corner sofa and the Left Side of the Right Sofa as pictured above.

Your Sofa is ready for use.

This Sofa can only be used on a flat, level surface.

Care & Maintenance	
	<ul style="list-style-type: none"> Furniture may scratch floors. We recommend using furniture pads to protect your floors.
	<ul style="list-style-type: none"> Do not put hot items directly on furniture surface.
	<ul style="list-style-type: none"> Do not clean furniture with harsh cleansers or polish.
	<ul style="list-style-type: none"> Do not place furniture under direct sunlight.
	<ul style="list-style-type: none"> Do not place furniture near heating or cooling vents.
	<ul style="list-style-type: none"> Do not write on furniture without a padded barrier to protect the surface.
	<ul style="list-style-type: none"> Do not place furniture outside . For indoor use only.
	<ul style="list-style-type: none"> Not for commercial use. For residential use only.
	<ul style="list-style-type: none"> Stains may be removed with mild soap solution and damp cloth.
	<ul style="list-style-type: none"> Children should not climb or jump on the furniture.
	<ul style="list-style-type: none"> Dust and pick-up spills using a clean, non-colored, lint-free cloth.