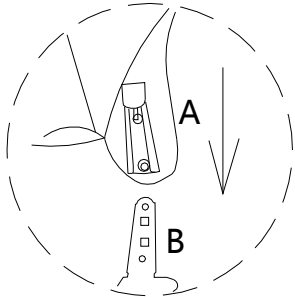
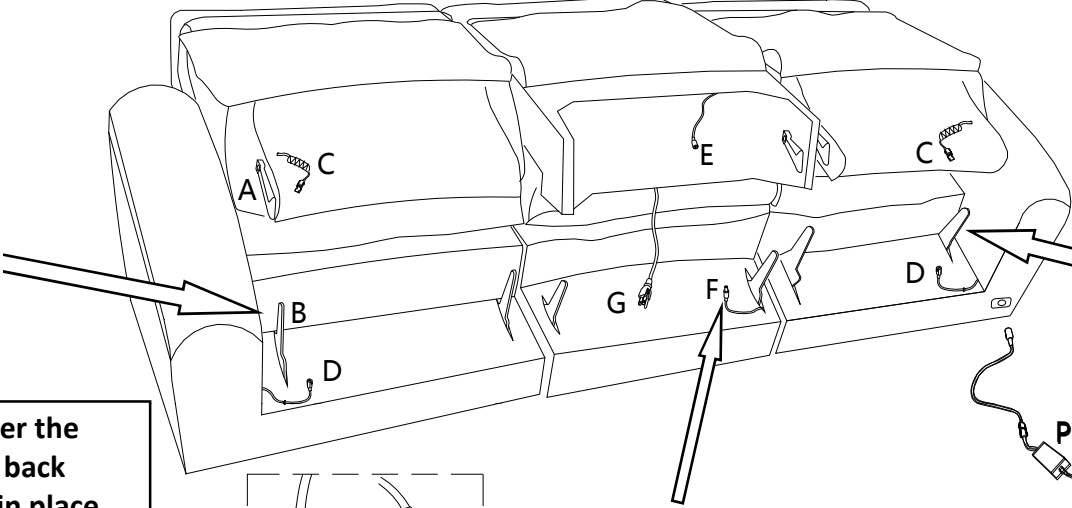


Assembly Instructions

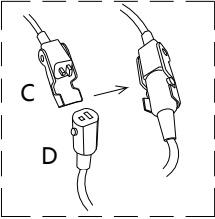


1、 Slide the metal receiver over the metal post. Press both sides of back firmly downward until locked in place.

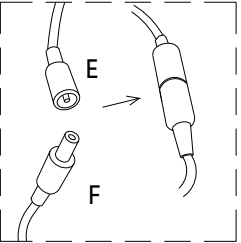
Note: Make sure all PLUGS are connected on the product before plugging power cord into power outlet. If not damage can occur.



2、 Locate the power cord C attached to the bottom back and connect to plug D located at the rear of seat.



3、 Locate the light cord E attached to the bottom back and connect to plug F located at the rear of seat.



4、 Locate the transformer P and connect to DC Port located at the rear of arm.

**5、 Apply The Wings
Insert the male Bracket into the slot of the female Bracket pressing firmly downward until the frame is tight.**

