

THE LARGE MIRROR

OPERATING MANUAL

FLOOR MIRRORS
AND WALL MIRRORS

01 / Explain

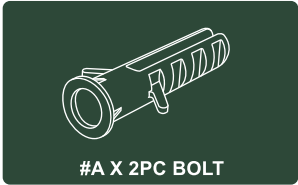
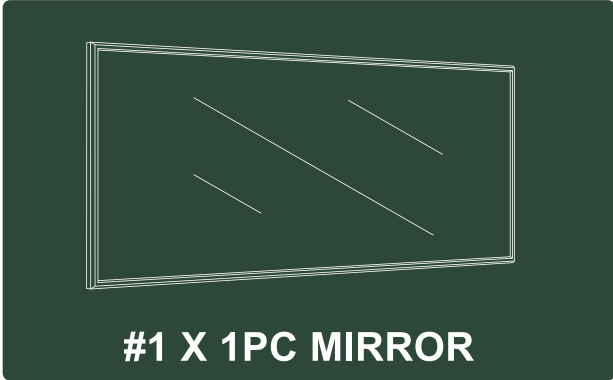
- Please read the instruction carefully before using.
- Before assembly compare the contents with list to make sure the package includes all the parts.
- Make sure the wall can bear the weight of the mirror.
- Do not use string or chain to hang the products.
- Please keep your property away during the installation to avoid any damage.
- Intended for residential use only.

Care Advice

- a. Before using, wipe with a dry and clean cloth.
- b. Check all the screws and bolts are tight every three months or as needed.
- c. Clean with glass cleaner or detergent.



02 / Parts List

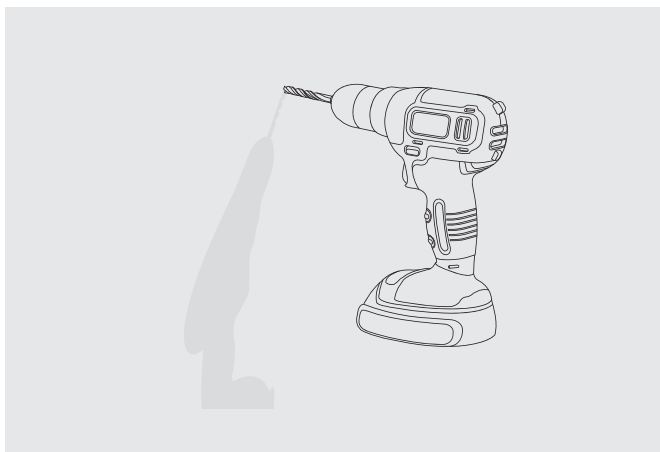
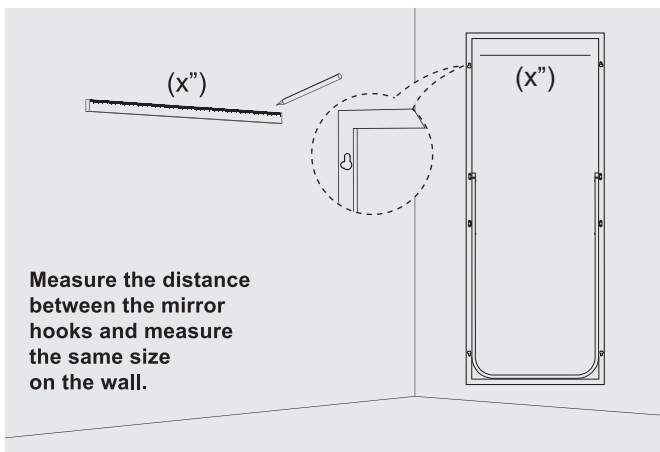


Tools Required (Not Provided)

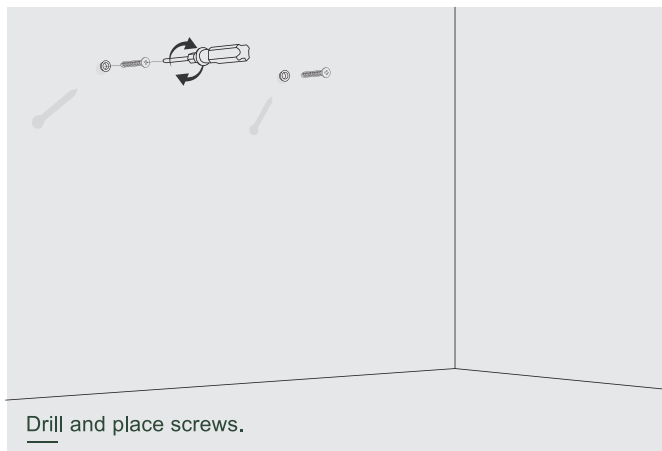
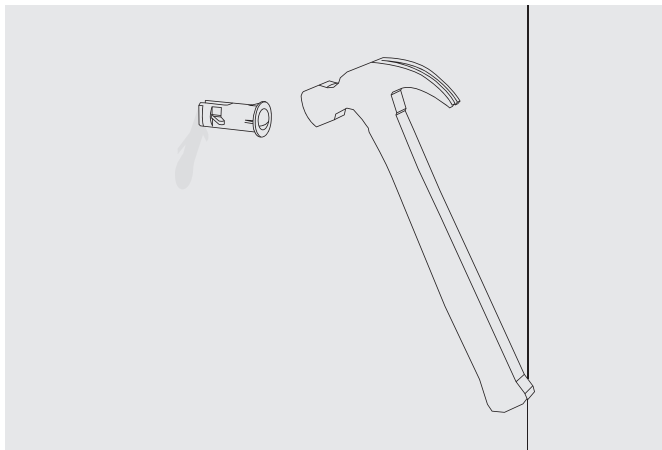




04 / Installation steps

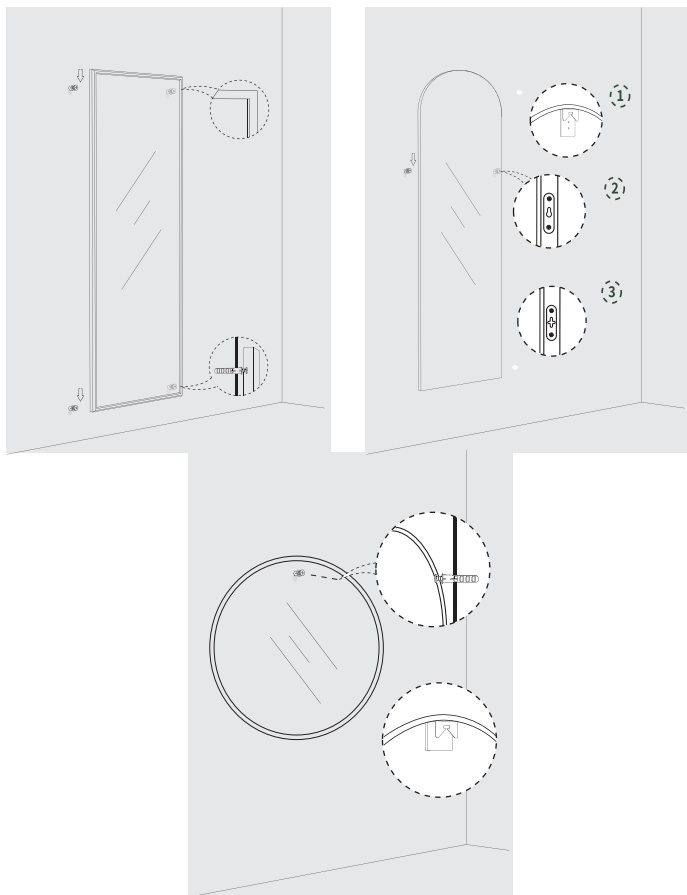


05 / Installation steps



Drill and place screws.

06 / Installation steps



Hang the Full-length mirror on the wall

03 / Installation steps

