

WARRANTY INFORMATION

- Do not expose the surfaces to direct sunlight or to extreme environmental conditions.
- Clean the surfaces preferable with a clean damp cloth, then dry with a clean towel.
- Do not use solvents or abrasive materials to clean the unit. If you decide to use a cleaning agent, test first on an area hidden from view.
- Replacement parts might be available to you at no charge, with an original proof of purchase and where a defect has arisen, wholly or substantially, as a result of faulty manufacturing, parts or workmanship during the Warranty Period.
- The warranty does not extend to regular wear and tear, nor the manufacturer assumes liability for damages or consequences due to accidents, incorrect assembly, negligence, improper use, modifications, or not heeding the above warnings.

Thank you so much for your support! We hope you enjoy your purchase. If there is any damage or missing accessories, please feel free to contact us for free replacement or refund. You can quickly find us through with your order number, we will try our best to solve this problem for you !

Thank you !

TABLE OF CONTENTS

01 Warranty Information

02 Important Safety Instructions

02 Tools Needed

03 Parts List

04 Assembly

IMPORTANT SAFETY INSTRUCTIONS

- Check if all the parts are complete before installation.
- Read through the instructions before installing the cabinet.
- Keep the small parts away from children to avoid the risk of swallowing.
- Screw the cabinet to the wall to avoid the risk of falling down.

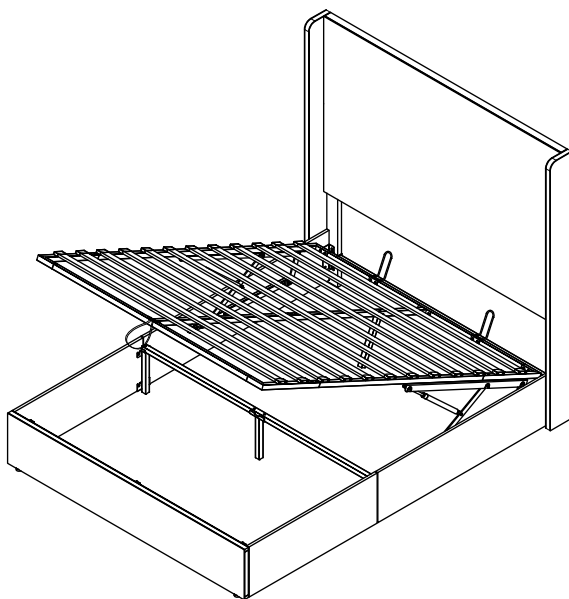
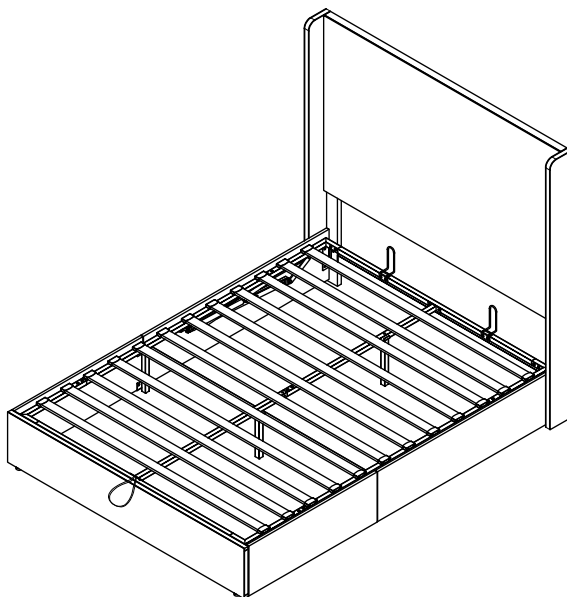
TOOLS NEEDED

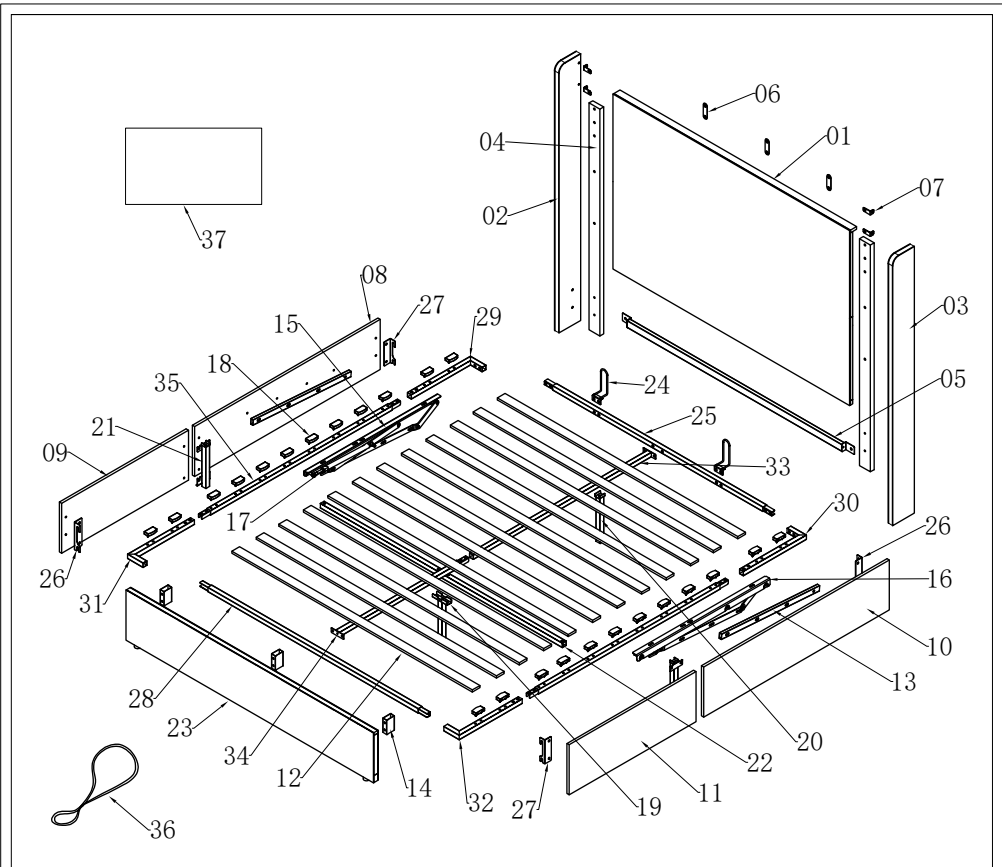
Screws Driver -1PC



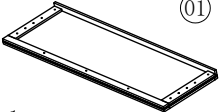
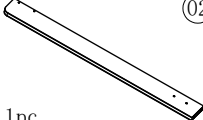
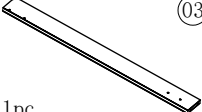
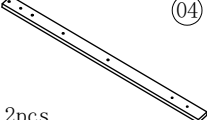
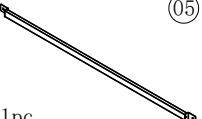

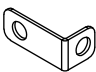
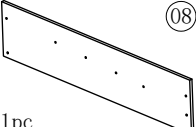
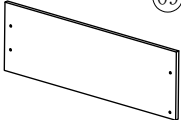
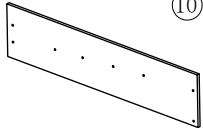
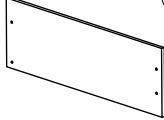
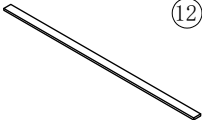
(Not included)

Montageanleitung Instructions d'installation

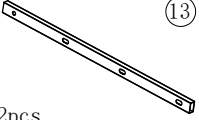
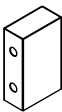

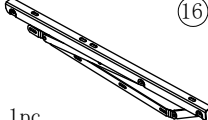
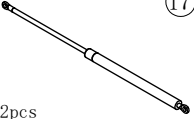
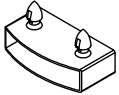
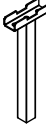

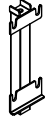
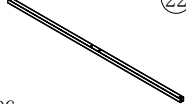
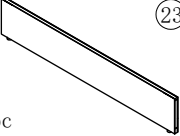

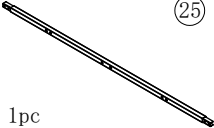
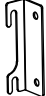

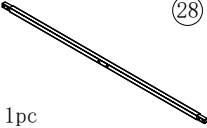
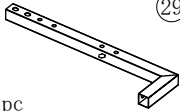
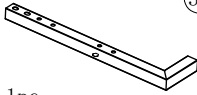
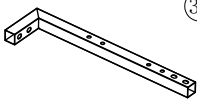
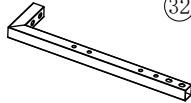
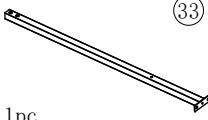
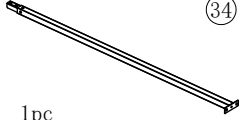
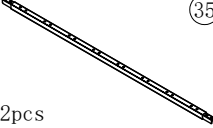









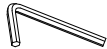




Teileliste Liste des pieces

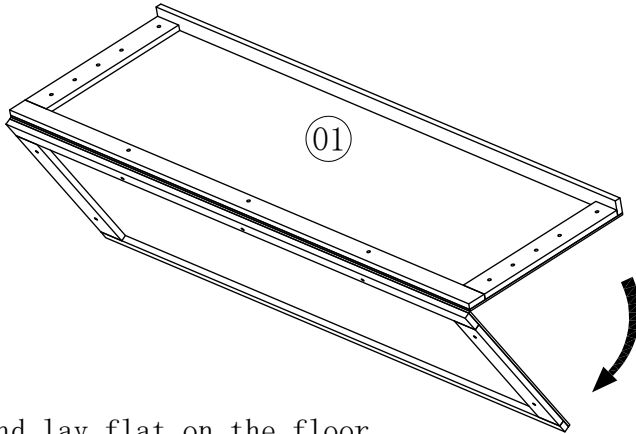
 <p>01</p> <p>1pc</p>	 <p>02</p> <p>1pc</p>	 <p>03</p> <p>1pc</p>	 <p>04</p> <p>2pcs</p>
 <p>05</p> <p>1pc</p>	 <p>06</p> <p>3pcs</p>	 <p>07</p> <p>4pcs</p>	 <p>08</p> <p>1pc</p>
 <p>09</p> <p>1pc</p>	 <p>10</p> <p>1pc</p>	 <p>11</p> <p>1pc</p>	 <p>12</p> <p>12pcs</p>

Teileliste Liste des pieces

 2pcs	 3pcs	 1pc	 1pc
 2pcs	 24pcs	 1pc	 1pc
 2pcs	 1pc	 1pc	 2pcs
 1pc	 2pcs	 2pcs	 1pc
 1pc	 1pc	 1pc	 1pc
 1pc	 1pc	 2pcs	 1pc
 1pc		 M6 × 20mm 6pcs	 M6 × 35mm 8pcs
 M8 × 15mm 62pcs+6pcs	 M8 × 40mm 19pcs+1pcs	 M8 × 60mm 6pcs	 M8 4pcs
 1pc	 4# 1pc		

SCHRITT

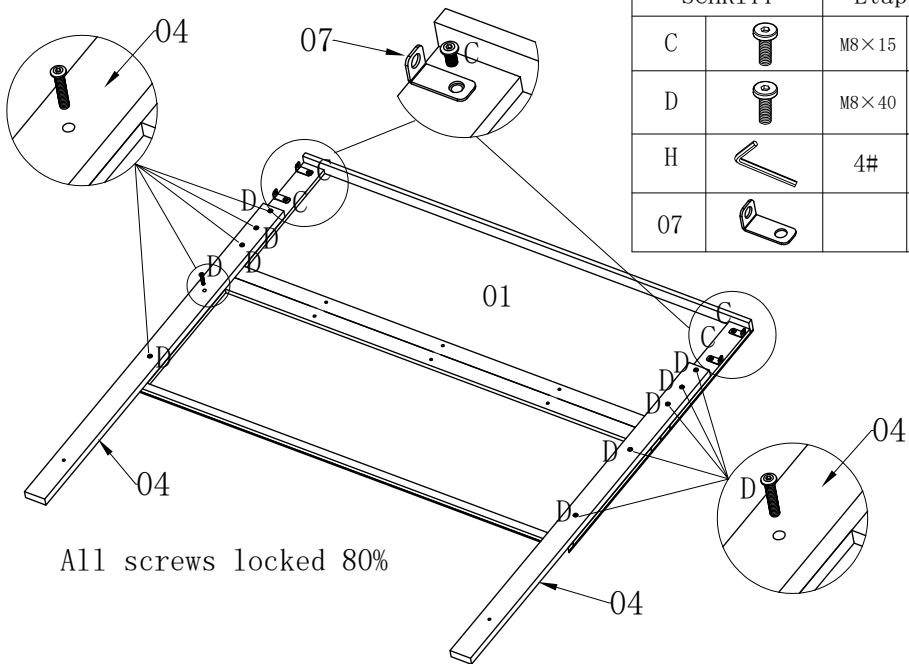
Etapes1



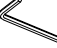



Open and lay flat on the floor

SCHRITT


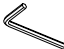

Etapes2

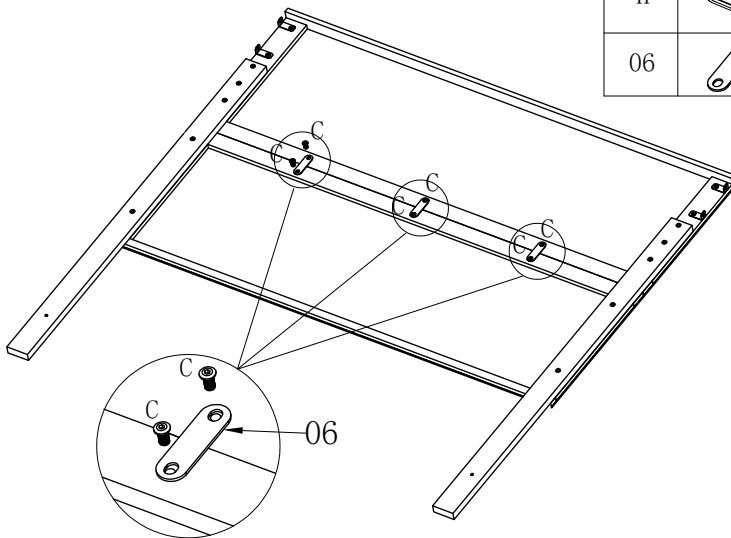



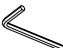
SCHRITT		Etapes2	
C		M8×15	4pcs
D		M8×40	10pcs
H		4#	1pc
07			4pcs

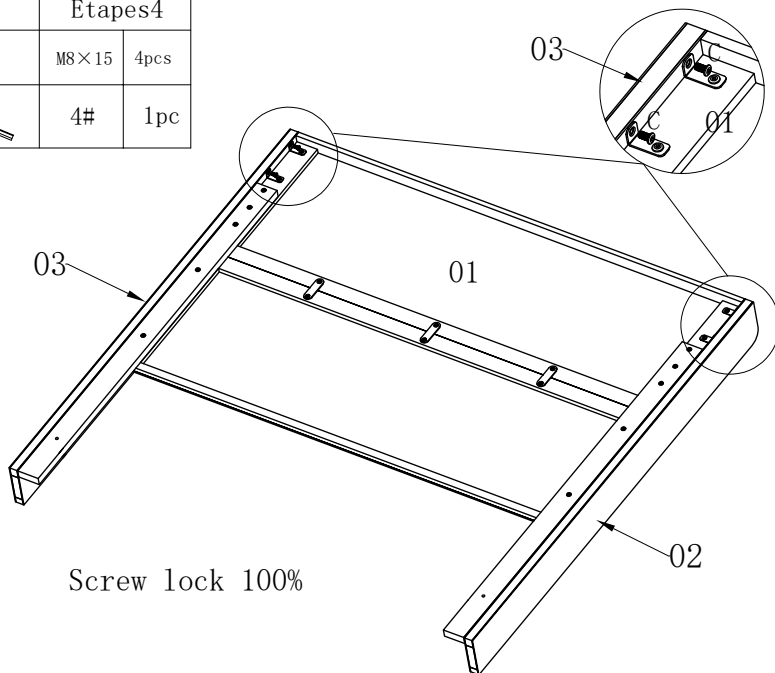
All screws locked 80%



Screw lock 100%

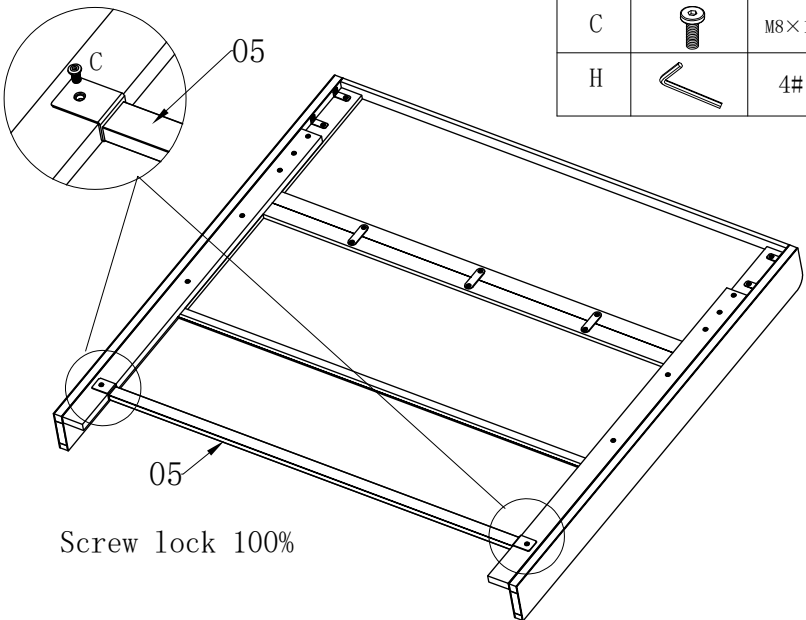
SCHRITT		Etapas3	
C		M8×15	6pcs
H		4#	1pc
06			3pcs




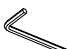
SCHRITT		Etapas4	
C		M8×15	4pcs
H		4#	1pc

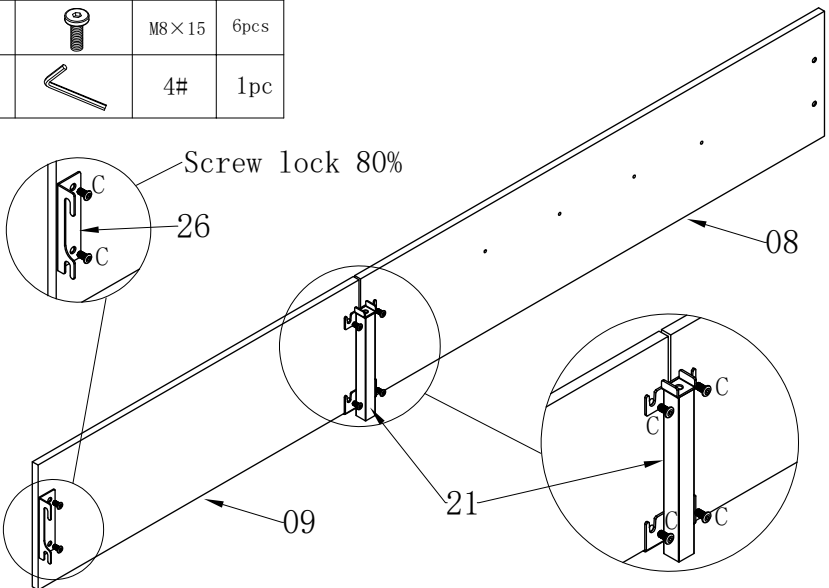


SCHRITT		Etapes5	
C		M8×15	2pcs
H		4#	1pc


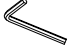


Screw lock 100%

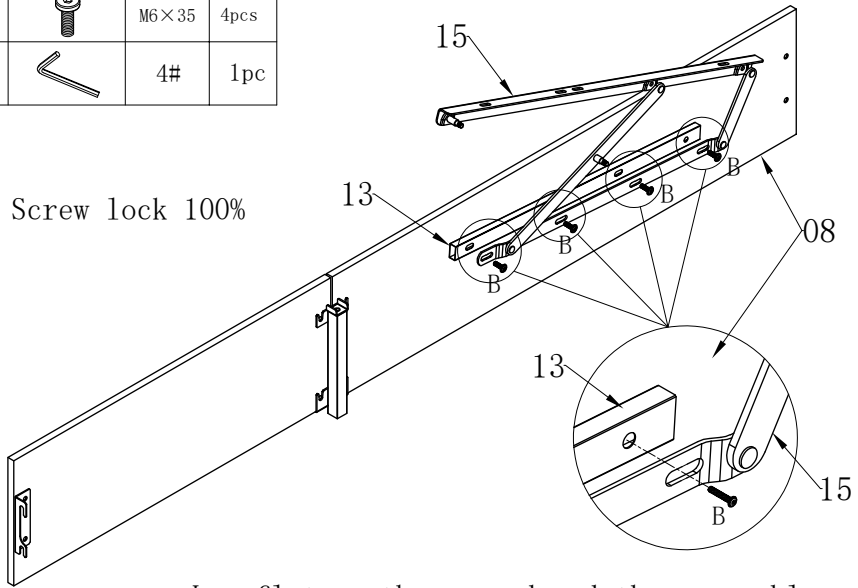
SCHRITT		Etapes6	
C		M8×15	6pcs
H		4#	1pc





Lay flat on the ground and then assemble

SCHRITT	Etapas7		
B		M6×35	4pcs
H		4#	1pc

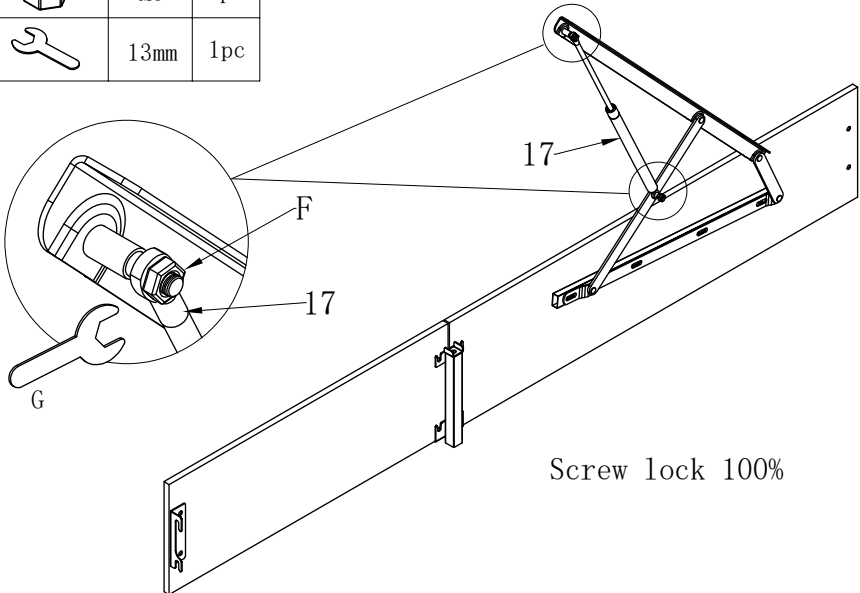
Screw lock 100%





Lay flat on the ground and then assemble

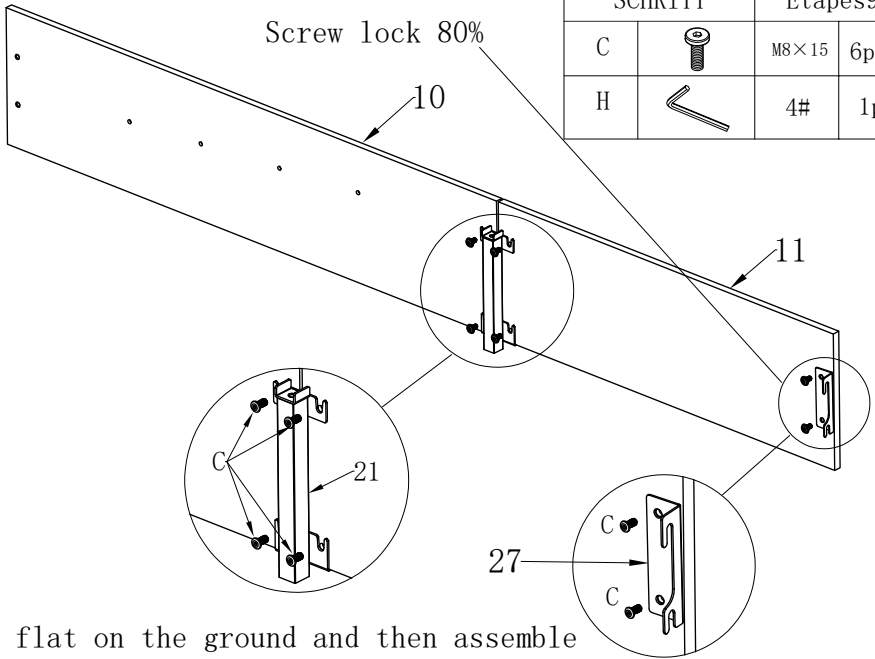
SCHRITT	Etapas8		
F		M8	2pcs
G		13mm	1pc

Lay flat on the ground and then assemble





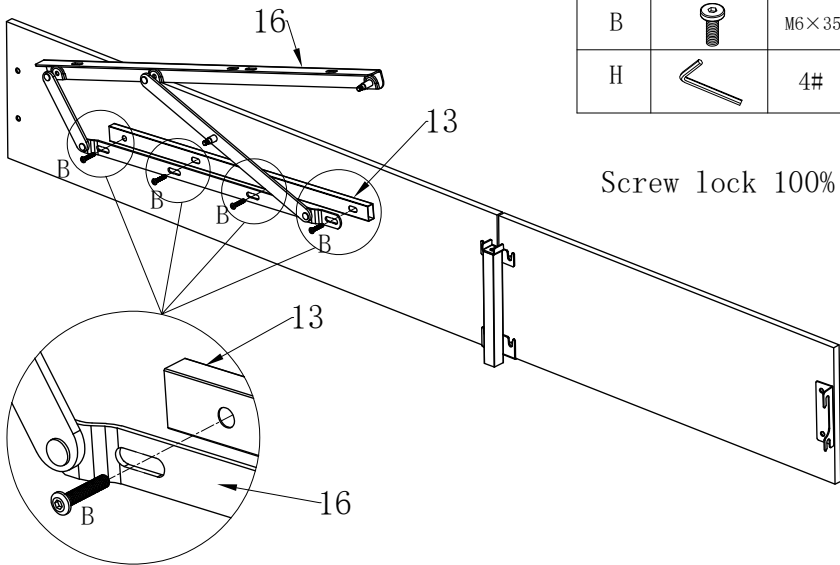
Screw lock 100%

SCHRITT		Etapes9	
C		M8×15	6pcs
H		4#	1pc





Lay flat on the ground and then assemble

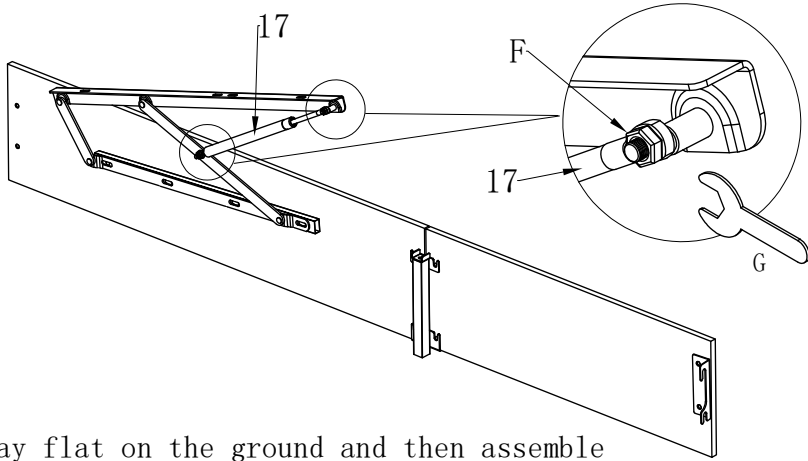
SCHRITT		Etapes10	
B		M6×35	4pcs
H		4#	1pc






Lay flat on the ground and then assemble

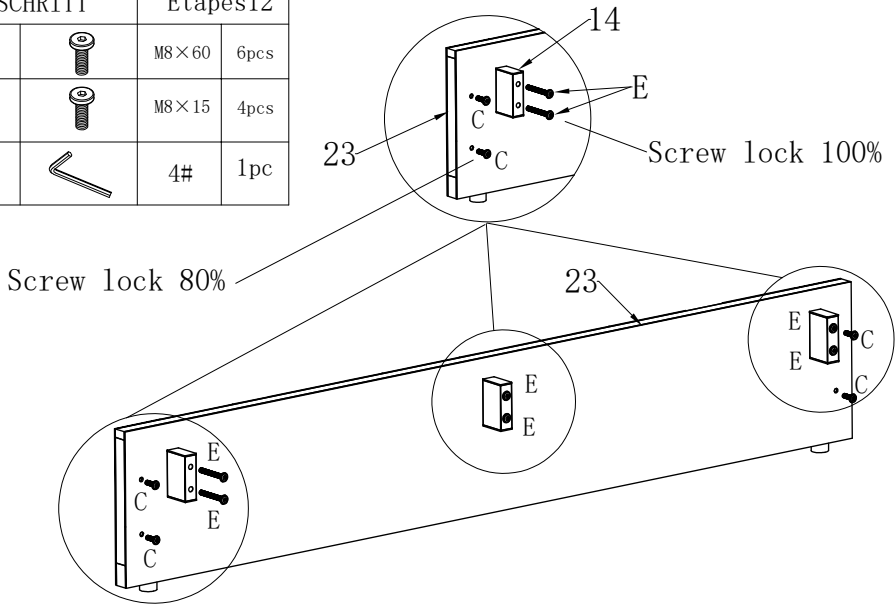
Screw lock 100%

SCHRITT		Etapes11	
F		M8	2pcs
G		13mm	1pc




Lay flat on the ground and then assemble

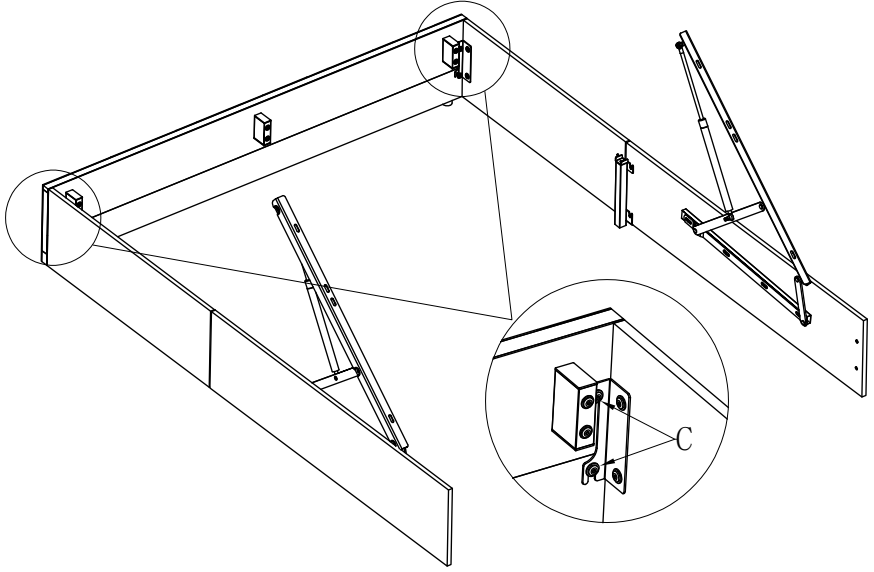
SCHRITT		Etapes12	
E		M8×60	6pcs
C		M8×15	4pcs
H		4#	1pc





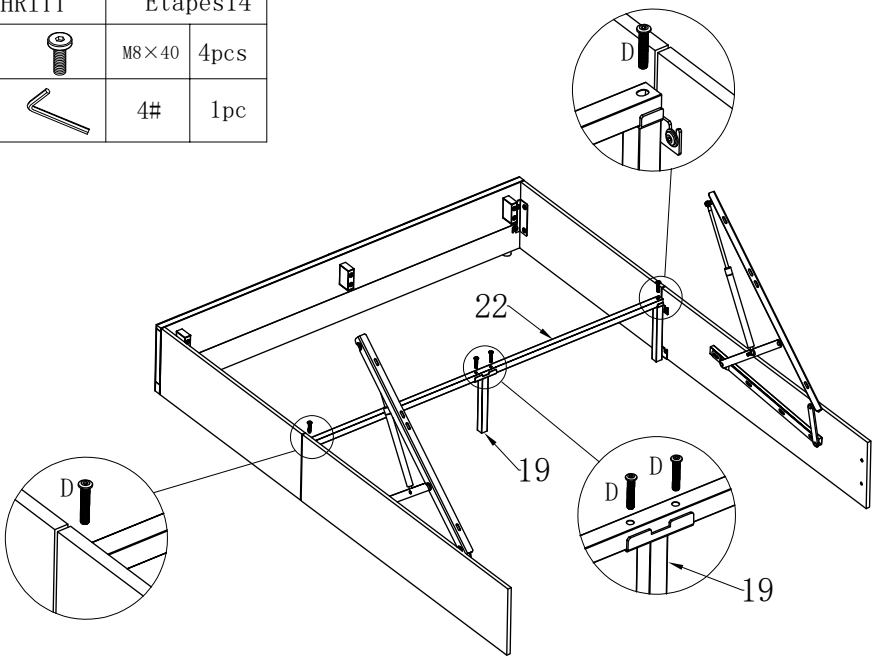
Lay flat on the ground and then assemble




SCHRITT		Etapas13	
H		4#	1pc

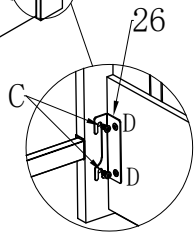
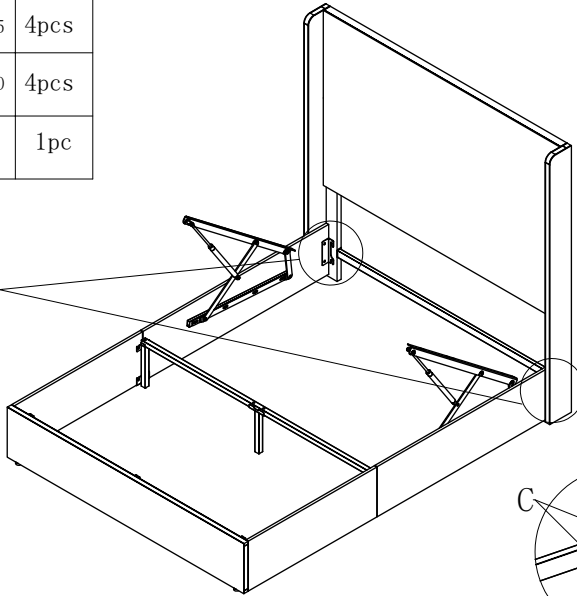
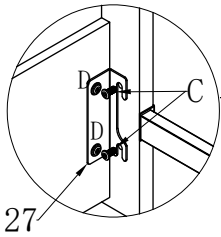
Screw lock 100%





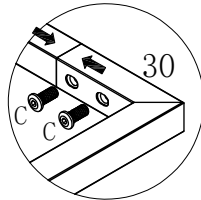
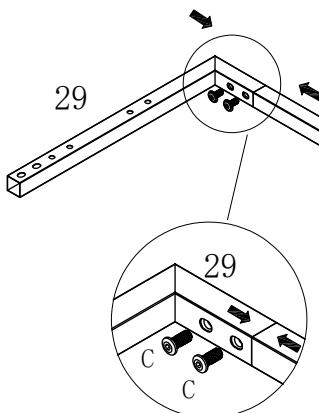
SCHRITT		Etapas14	
D		M8×40	4pcs
H		4#	1pc



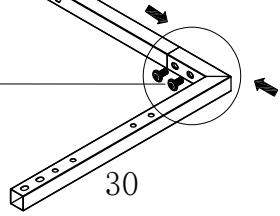
SCHRITT		Etapas15	
C		M8×15	4pcs
D		M8×40	4pcs
H		4#	1pc


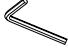


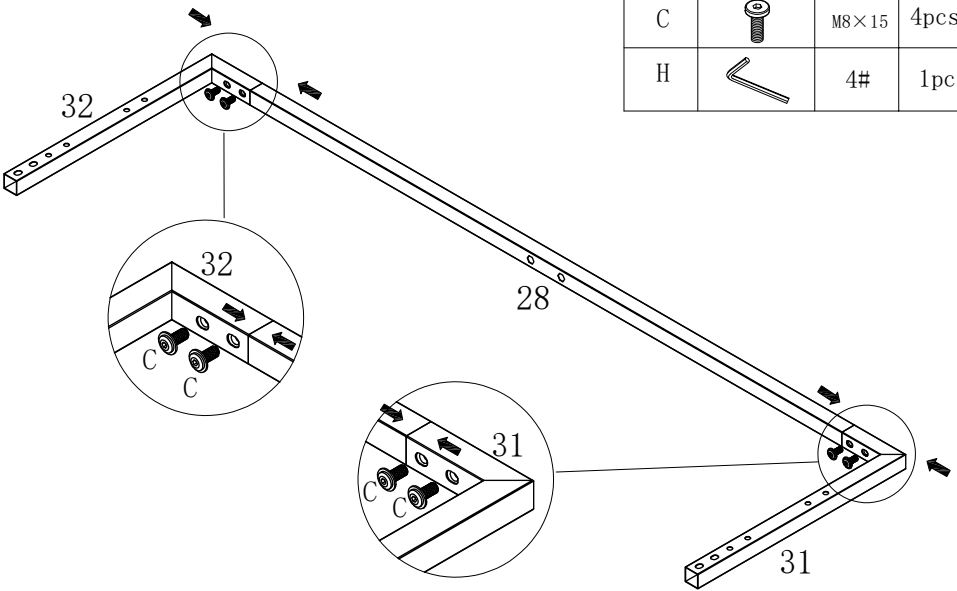
SCHRITT		Etapas16	
C		M8×15	4pcs
H		4#	1pc


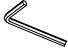


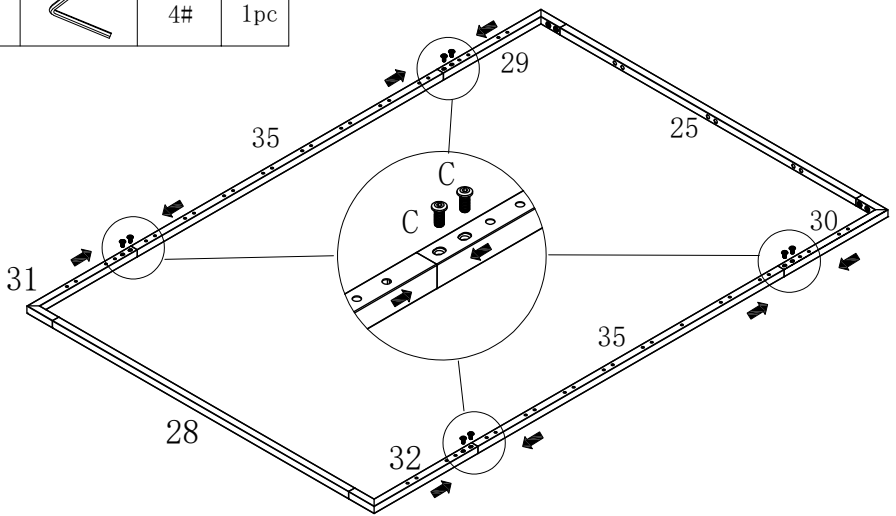
25





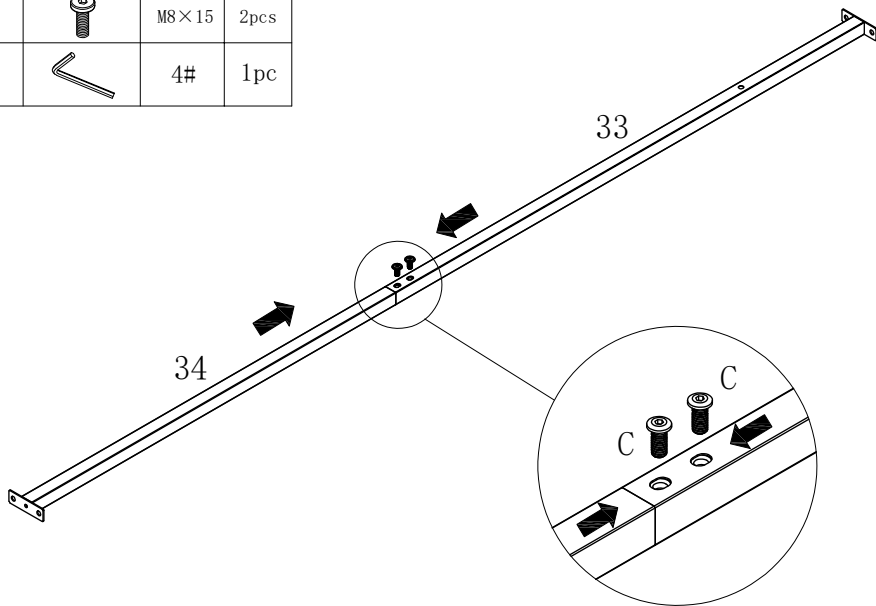
SCHRITT		Etapes17	
C		M8×15	4pcs
H		4#	1pc





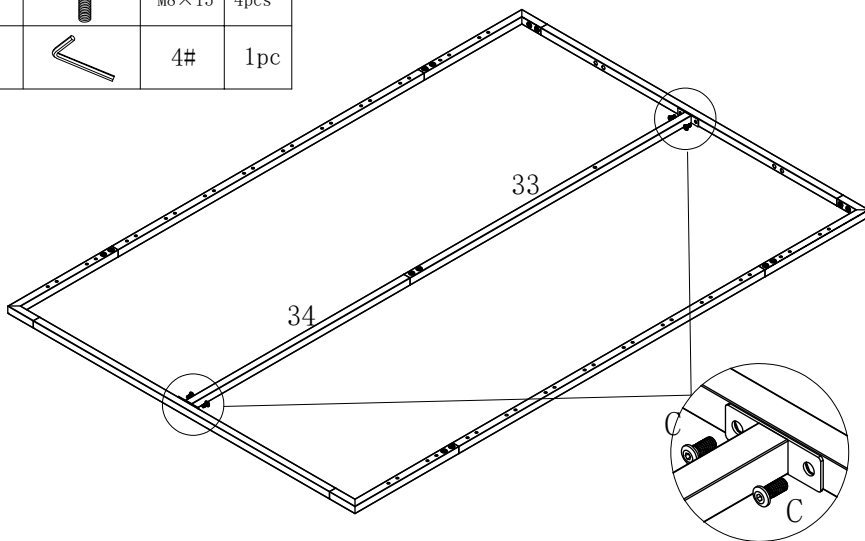
SCHRITT		Etapes18	
C		M8×15	8pcs
H		4#	1pc


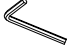


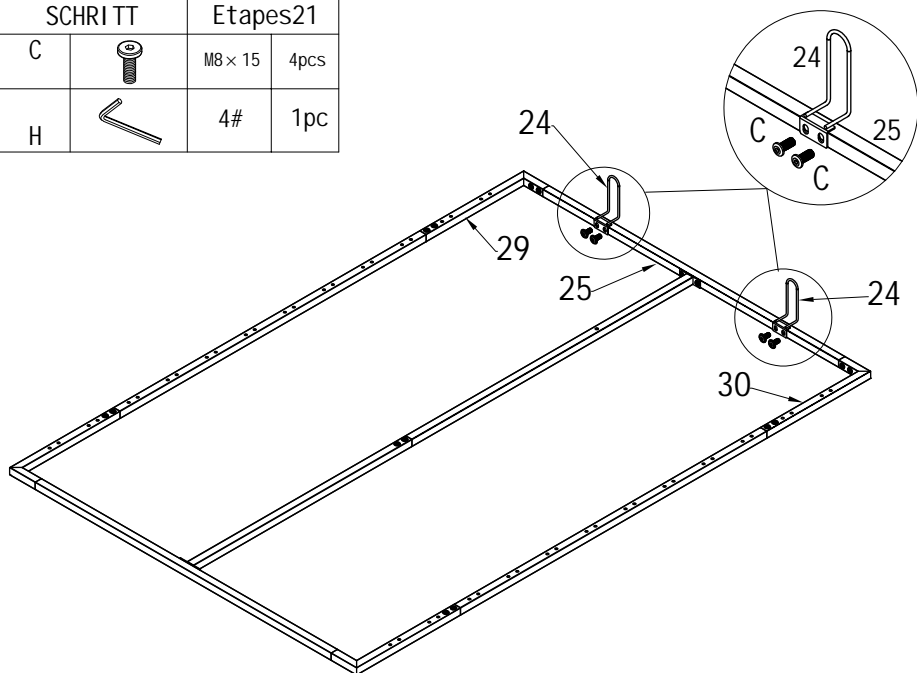
SCHRITT		Etapas19	
C		M8×15	2pcs
H		4#	1pc


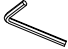


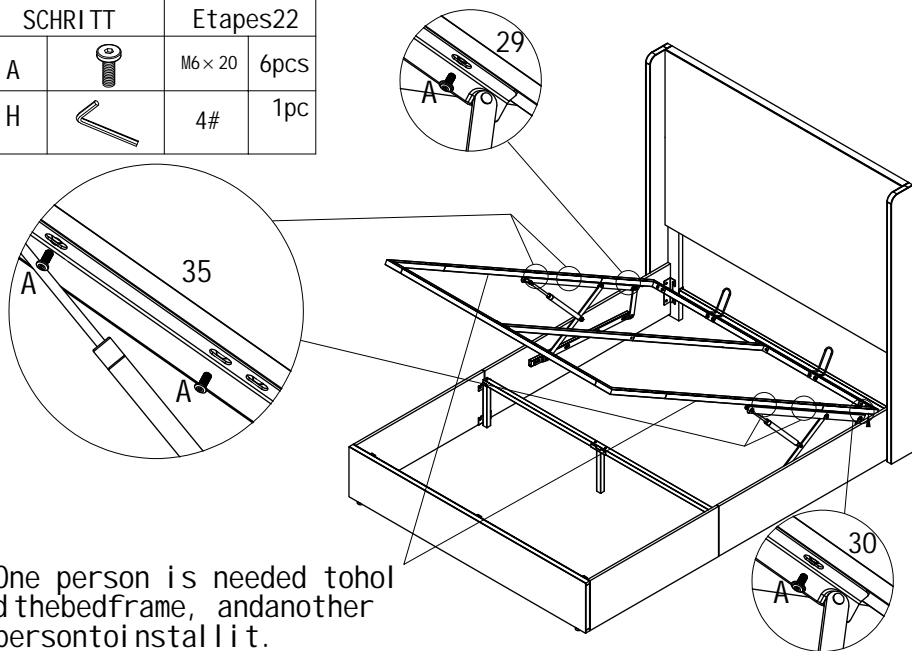
SCHRITT		Etapas20	
C		M8×15	4pcs
H		4#	1pc




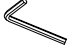
SCHRI TT		Etapes21	
C		M8 x 15	4pcs
H		4#	1pc

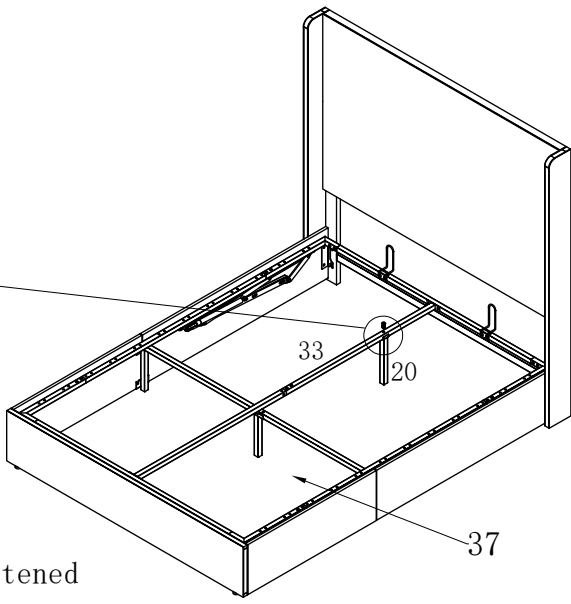
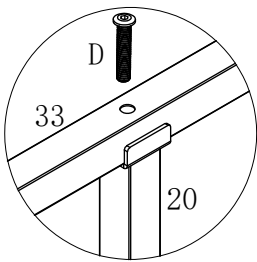


SCHRI TT		Etapes22	
A		M6 x 20	6pcs
H		4#	1pc


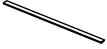


One person is needed to hold the bed frame, and another person to install it.

SCHRITT		Etapas23	
D		M8×40	1pc
H		4#	1pc



All screws 100% tightened

SCHRITT		Etapas24	
(18)		24pcs	
(12)		12pcs	

