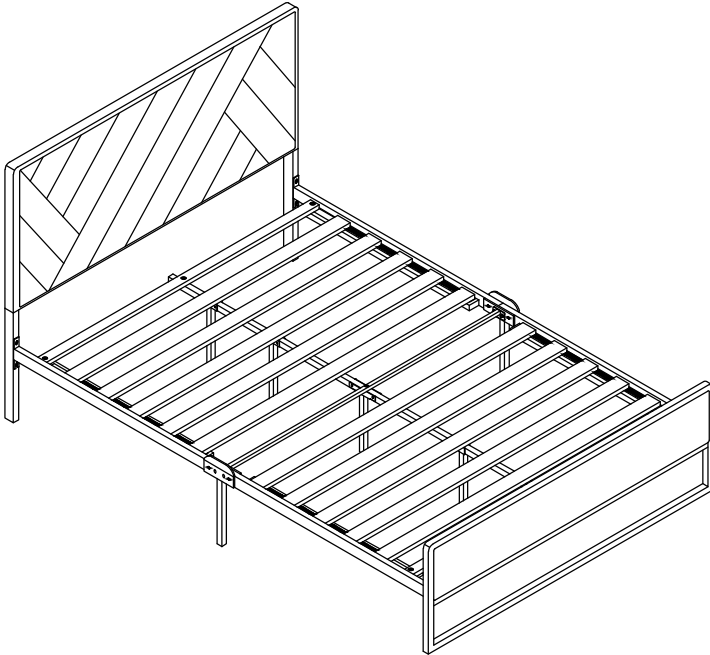


# ASSEMBLY INSTRUCTION

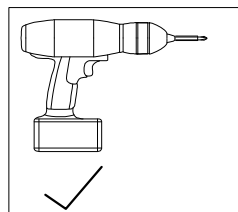


Please **TEAR OFF** this shrink film from side! **DO NOT USE CUTTER!**

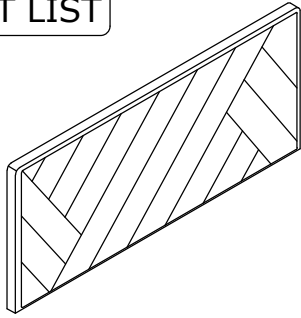
ITEM NUMBER:M23001

## **IMPORTANT NOTE**

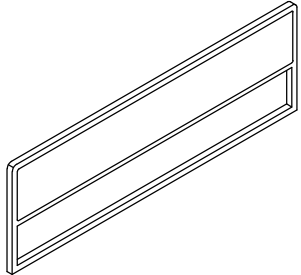
1. FOR THE PROTECTION OF YOUR FURNITURE, PLACE ALL PARTS ON A CLEAN AND SMOOTH SURFACE TO PREVENT ANY DAMAGE.
2. DO NOT USE POWER TOOLS TO ASSEMBLE THE BED.
3. PLEASE PERIODICALLY CHECK ALL FITTINGS AND RE-TIGHTEN AS NECESSARY.
4. DO NOT USE THE BED UNLESS ALL BOLTS AND SCREWS ARE FIRMLY SECURED.
5. NEED PARTS OR ASSISTANCE? EMAIL US AT [support@velocavabed.com](mailto:support@velocavabed.com)
6. YOU CAN ASSEMBLE IT WITH OUR PACKAGING TOOLS OR WITH A.



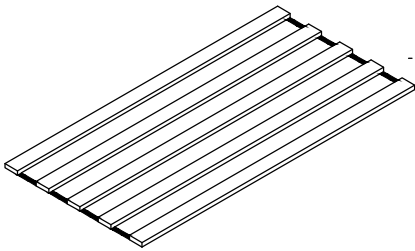
**PART LIST**



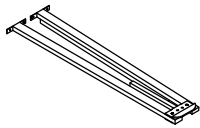
① x 1pc



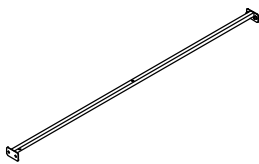
② x 1pc



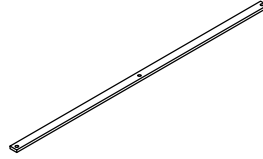
③ x 2pcs



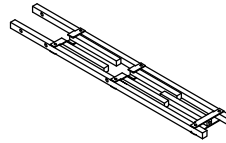
④ x 2pcs



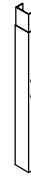
⑤ x 1pc



⑥ x 2pcs



⑦ x 1pc



⑧ x 1pc



⑨ x 1pc

**HARDWARE LIST**



H1 M4 x 1pc



H2 M6x20mm x 12pcs



H3 M6x35mm x 4pcs



H4 M6x40mm x 10pcs



H5 M6 x 16pcs

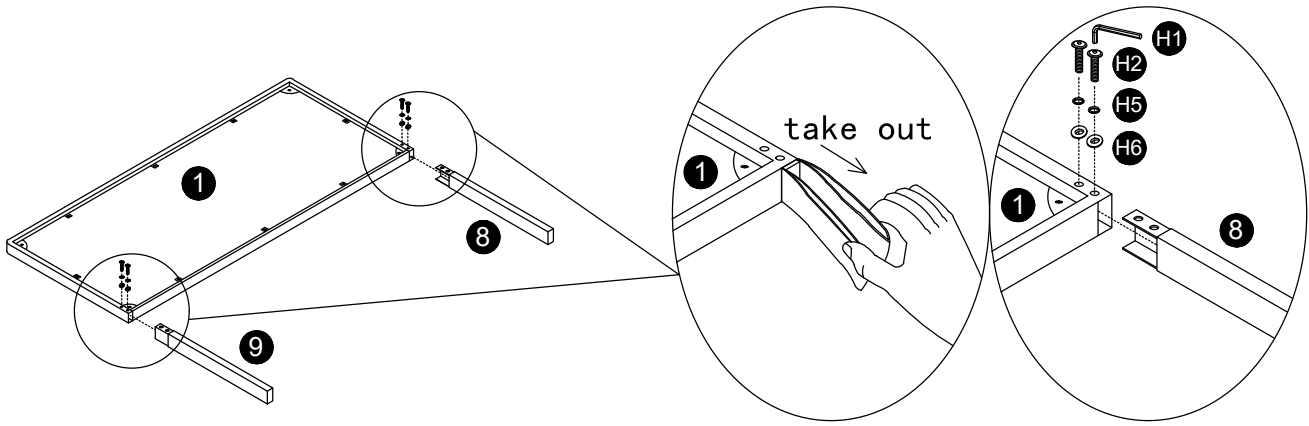


H6 M6 x 23pcs

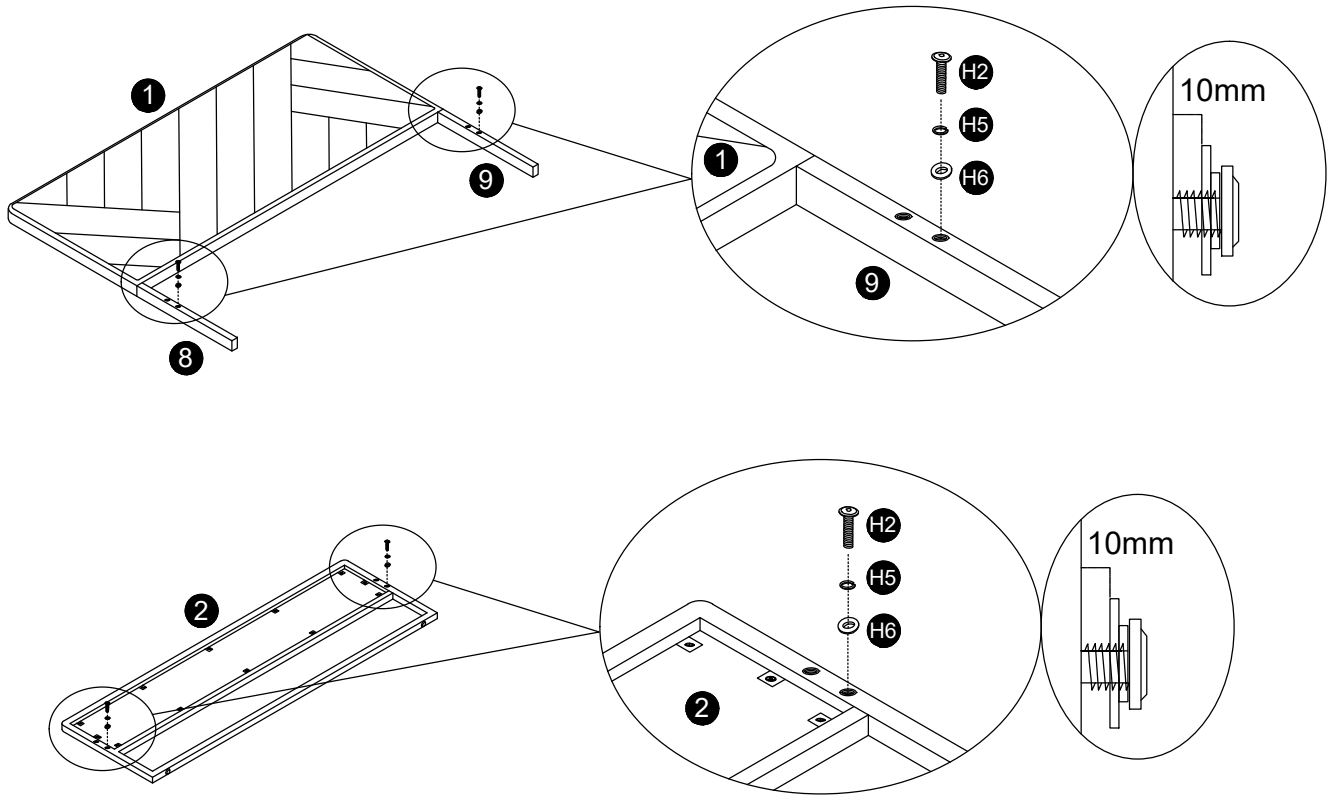


H7 M6x60mm x 1pc

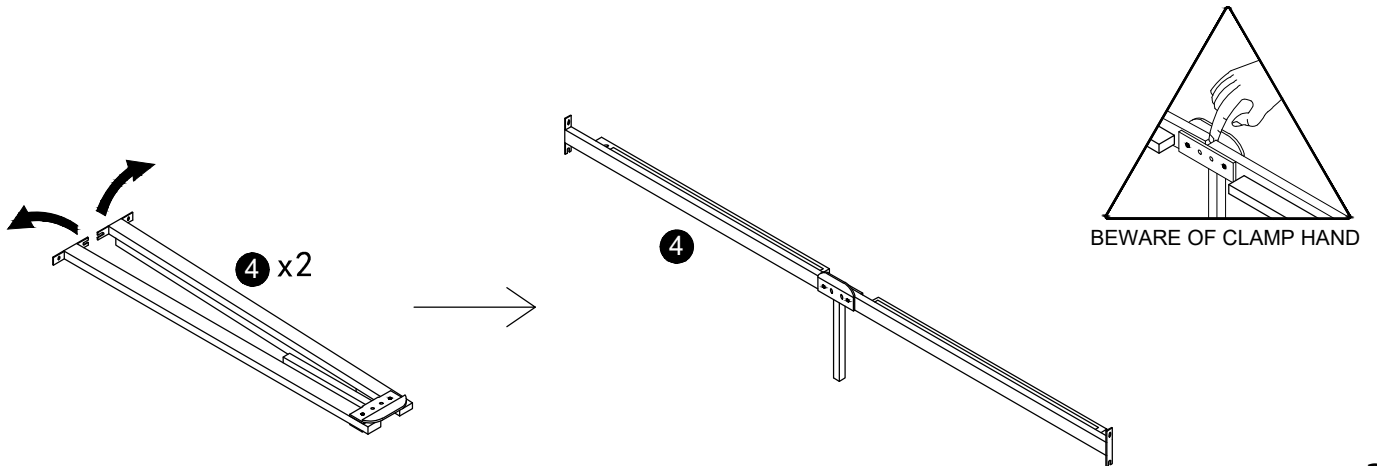
1



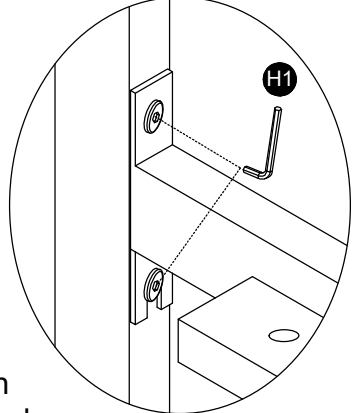
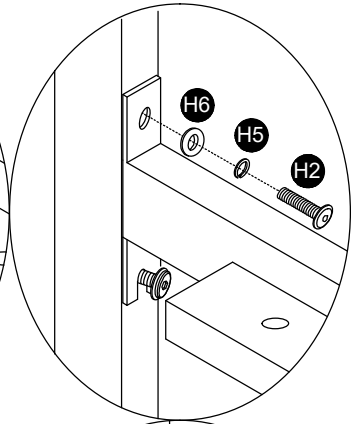
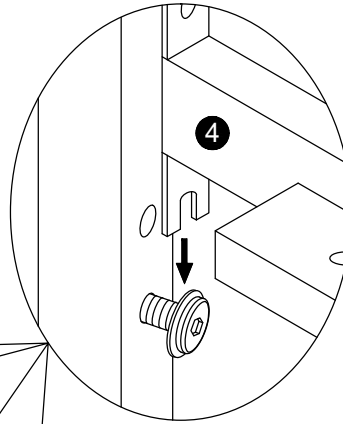
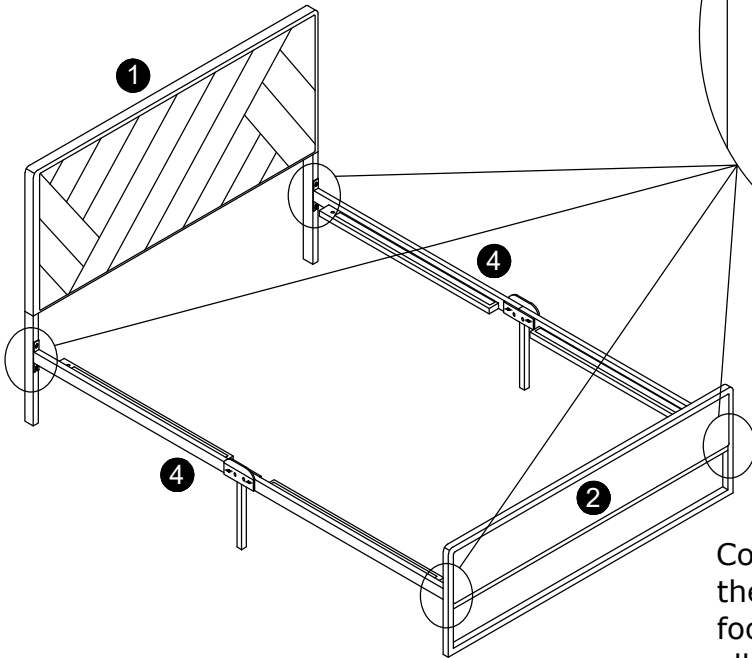
2



3

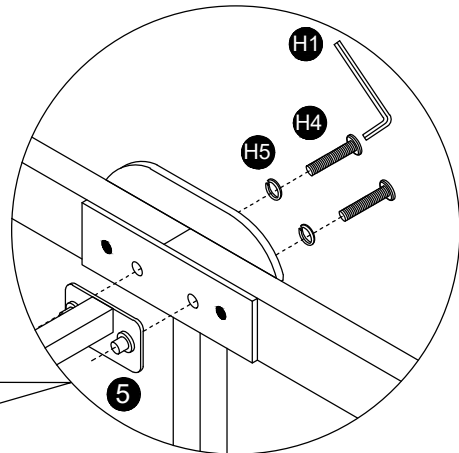
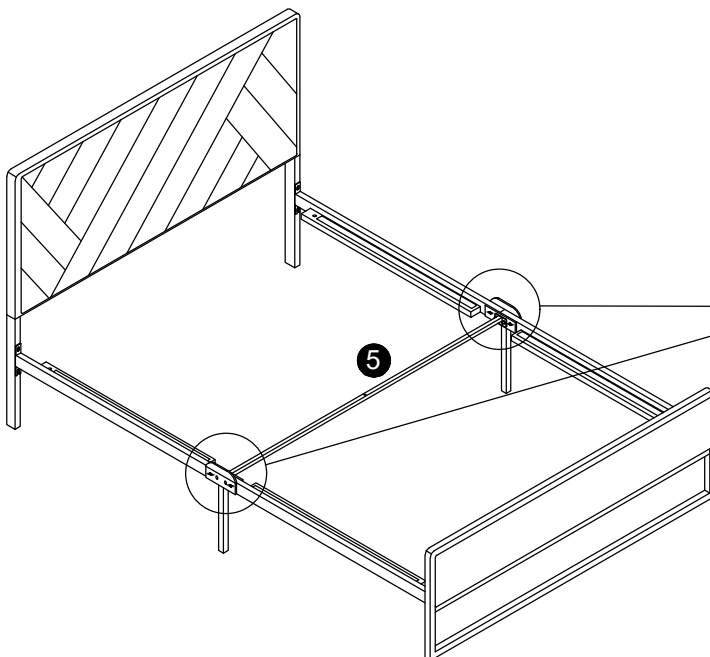


4

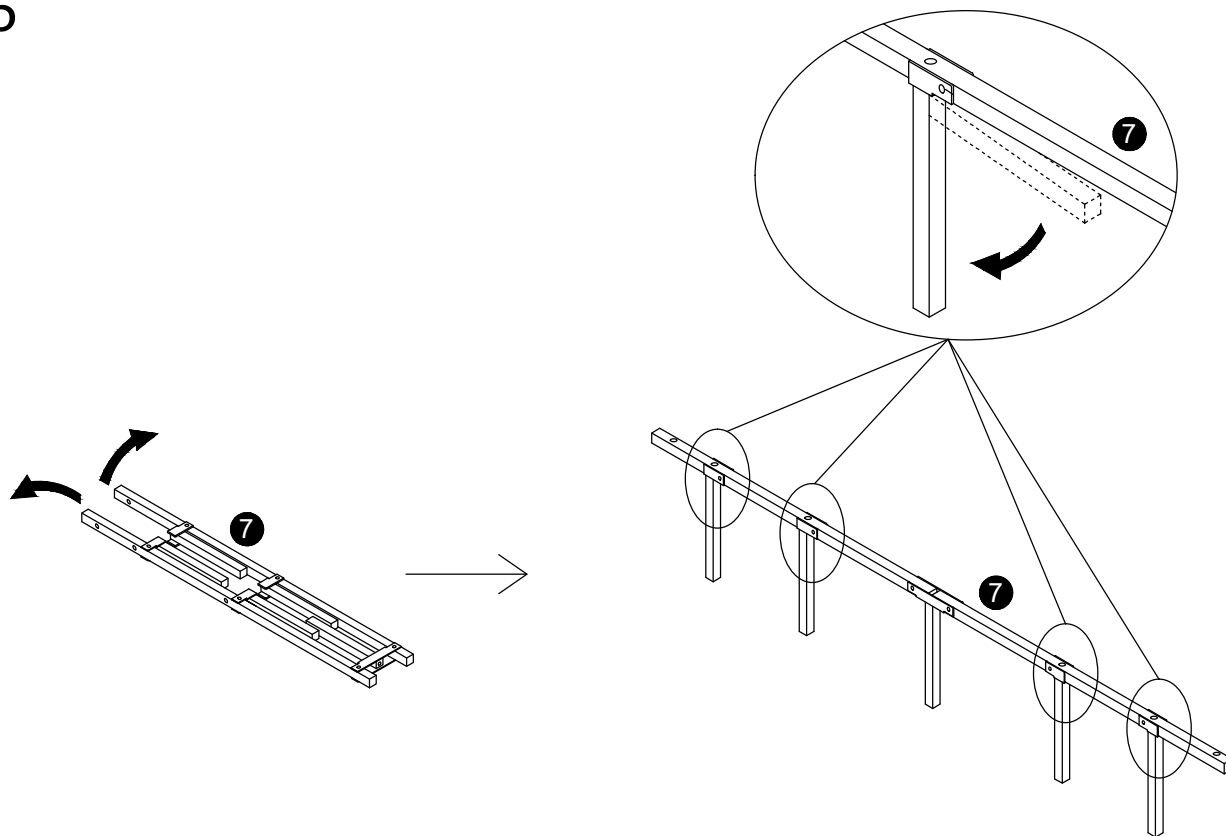


Connect part 4 to the headboard and footboard, and tighten all eight screws securely.

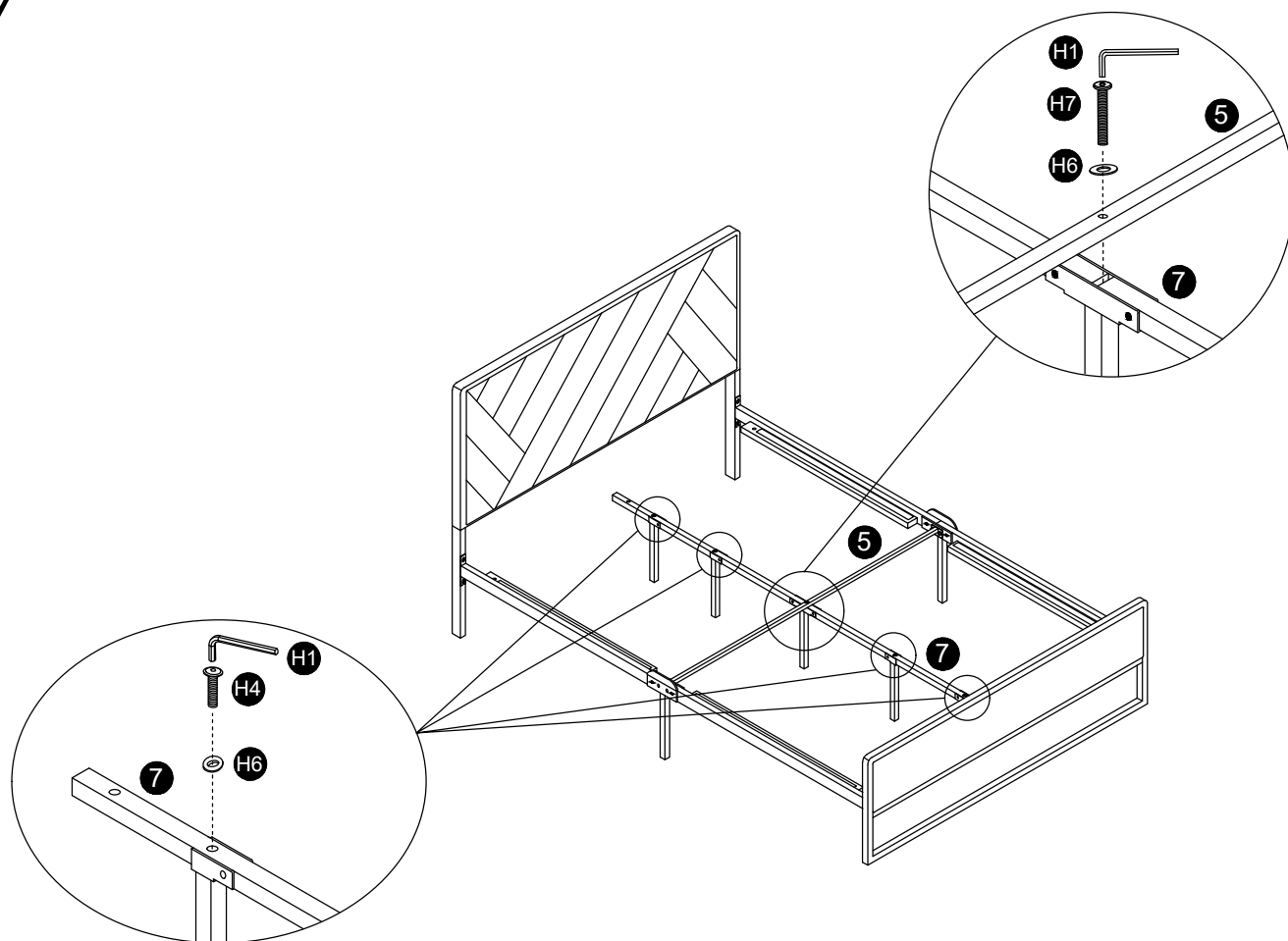
5



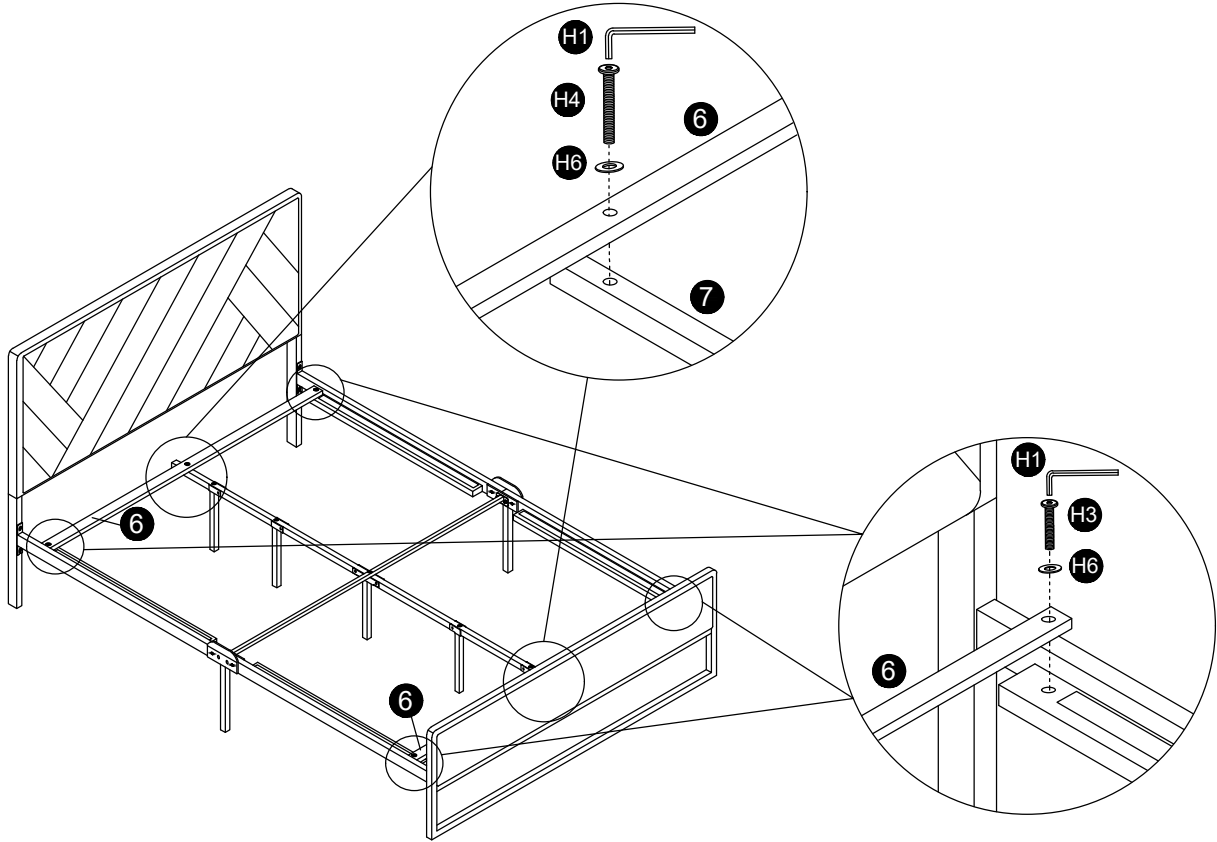
6



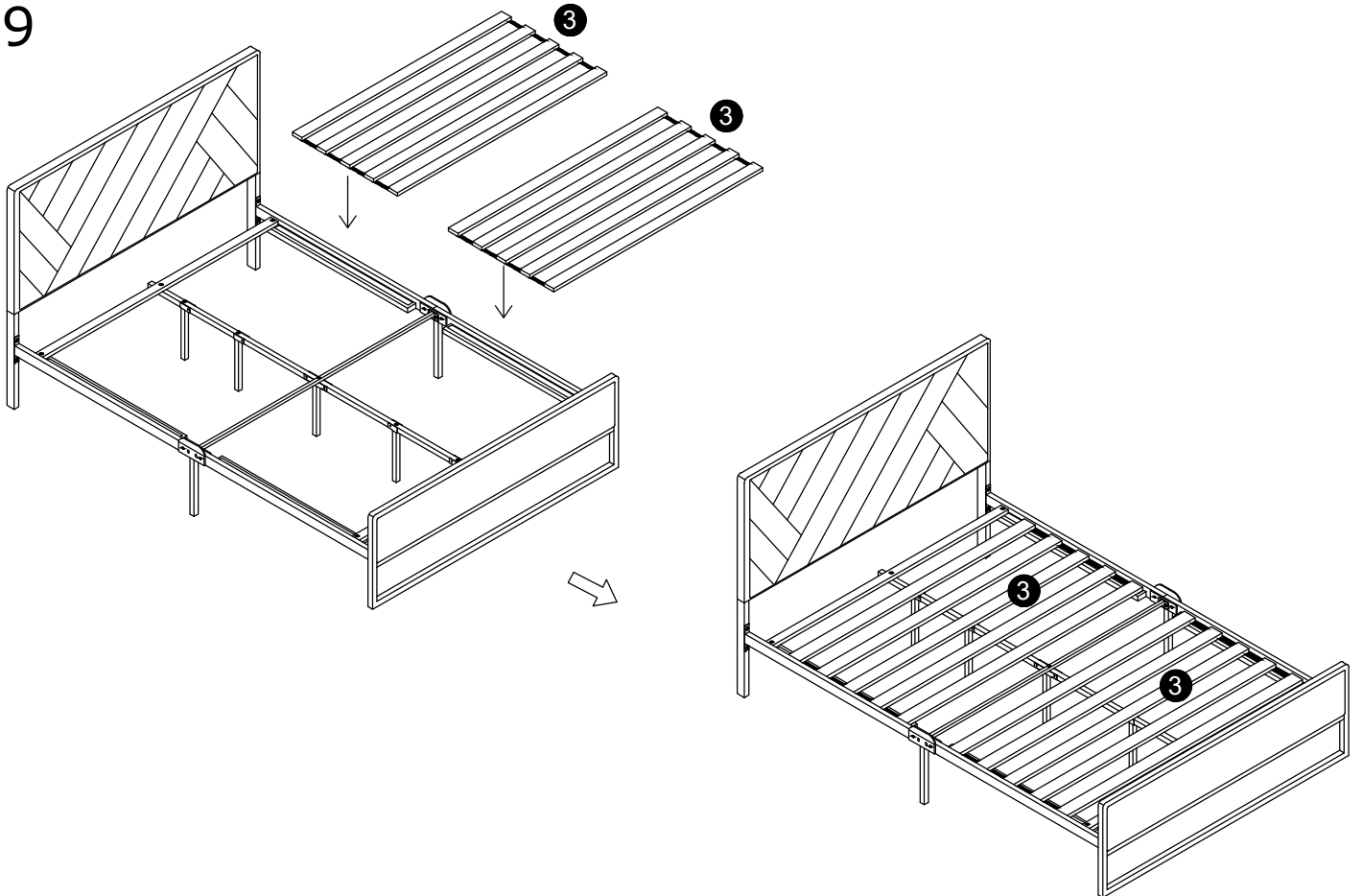
7



8



9



**Job Complete !**

*In the interest of our environment please dispose of all packaging thoughtfully.*