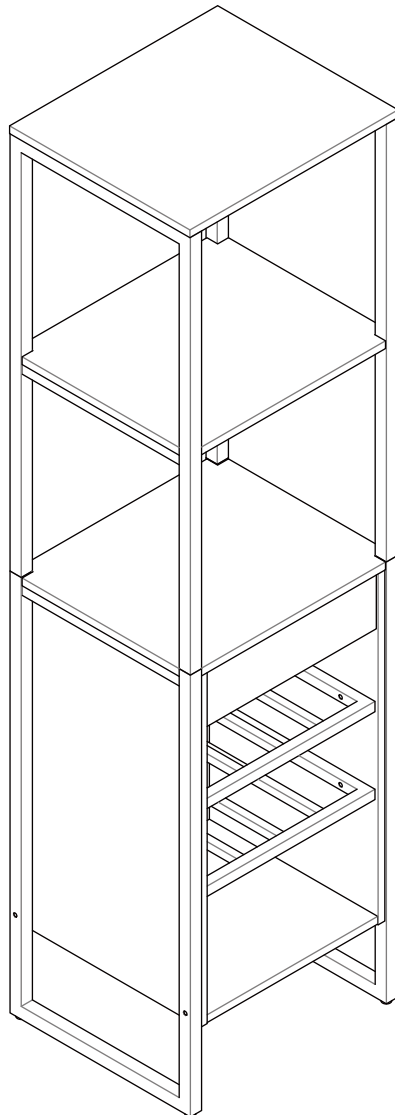


ASSEMBLY INSTRUCTION

Thank you for purchasing the quality product. Be sure to check all packing material carefully for small parts which may have come loose inside the carton during shipment. Separate, identify and count all parts and metal hardware. Compare with all parts are present. If any part(s) are missing or damaged, please contact your local furniture dealer. For efficient and speedy service, please indicate the model number and code letter of part(s) needed.

*****Do not fully tighten screws until fully assembled.*****

WINE RACK

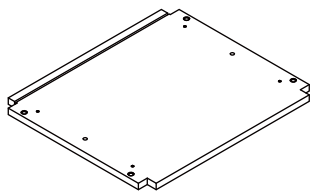


DIMENSIONS

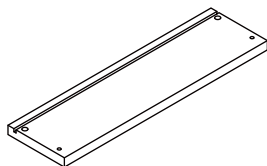
Width - 18.31"
Depth - 15.87"
Height - 67.87"

PARTS LIST

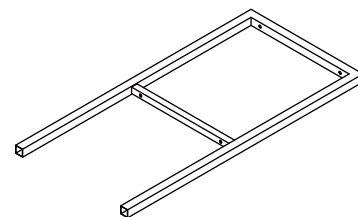
A X1 Top



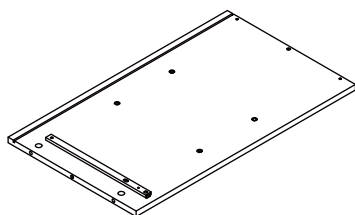
G X1 Drawer head



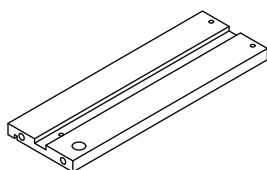
M X2 Top frame



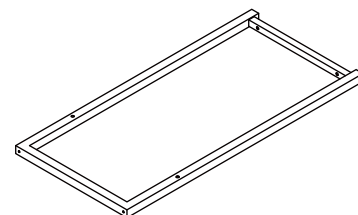
B X1 Left side



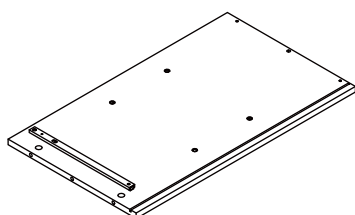
H X1 Drawer Left



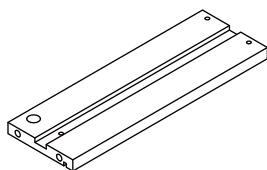
N X2 Bottom frame



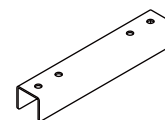
C X1 Right side



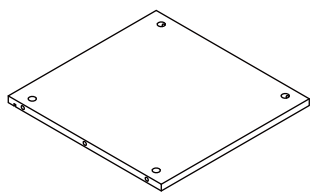
I X1 Drawer Right



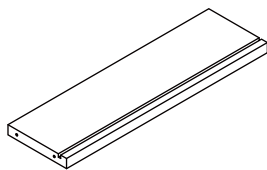
O X4 Connecting iron



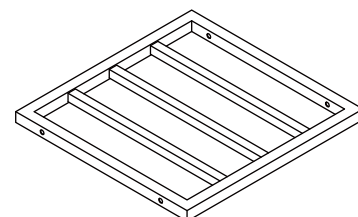
D X1 Bottom



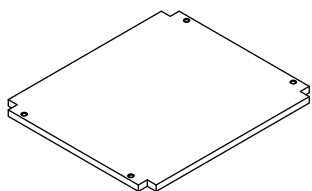
J X1 Drawer back



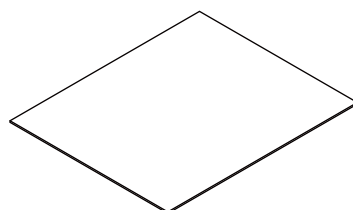
P X2 Layer frame



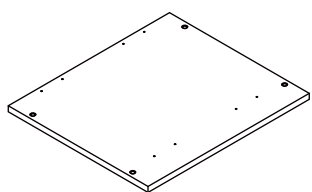
E X1 Layer



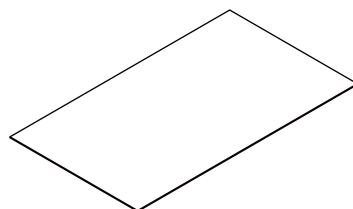
K X1 Drawer bottom



F X1 Top layer



L X1 Back



HARDWARE LIST

① X10 Cam bolt 7*35*12.5mm



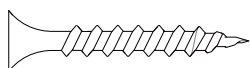
② X10 Cam lock 15*12mm



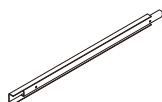
③ X6 Dowel 8*30mm



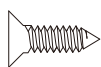
④ X4 Wood screw 8#*1-1/4"



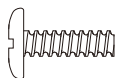
⑤ X2 Slide rail 17*310mm



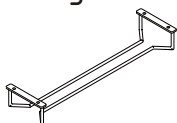
⑥ X4 Wood screw #6*1/2"



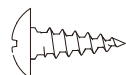
⑦ X2 Fixing screw M4*12mm



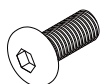
⑧ X2 Wine glass rack



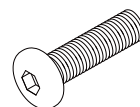
⑨ X8 T-head screw 4*12mm



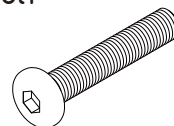
⑩ X16 Bolt 2*1/2"



⑪ X16 Bolt 2*1-1/8"



⑫ X8 Bolt 2*1-5/16"



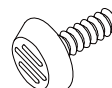
⑬ X4 Fixative plate



⑭ X4 Wood screw 3*19mm



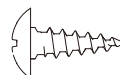
⑮ X4 Adjustable leveler 24mm*1/4*12mm



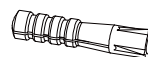
⑯ X1 Wall mounted strap 25*152mm



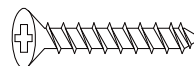
⑰ X1 Wood screw 4*16mm



⑱ X1 Wall anchor 1-1/8"



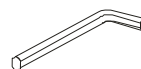
⑲ X1 Wood screw 8#*1"



⑳ X1 Glue



㉑ X1 Allen wrench

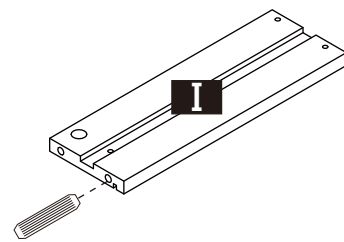
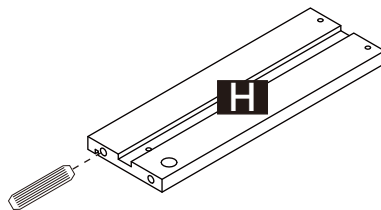
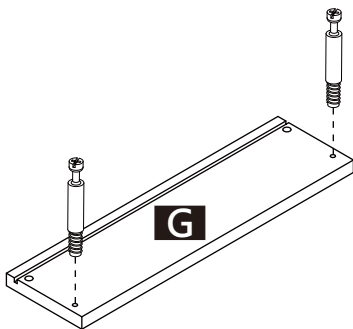
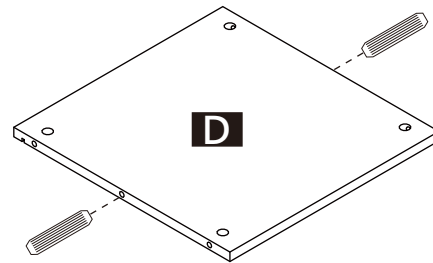
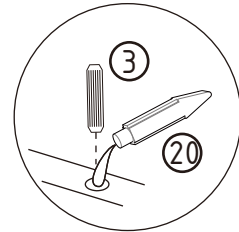
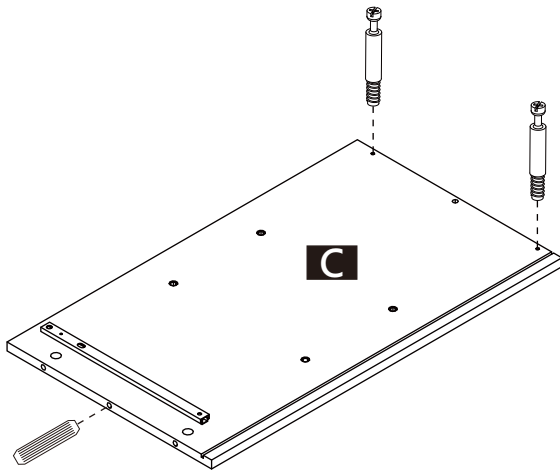
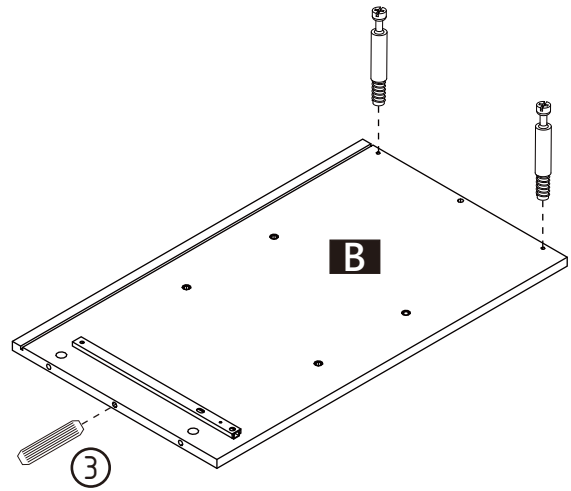
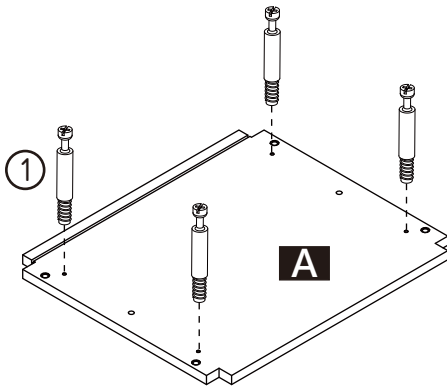


Attention

Some number parts listed on the instruction sheet may not be in parts bag as they may already be assembled. Carefully check parts and packing materials prior to ordering replacements.

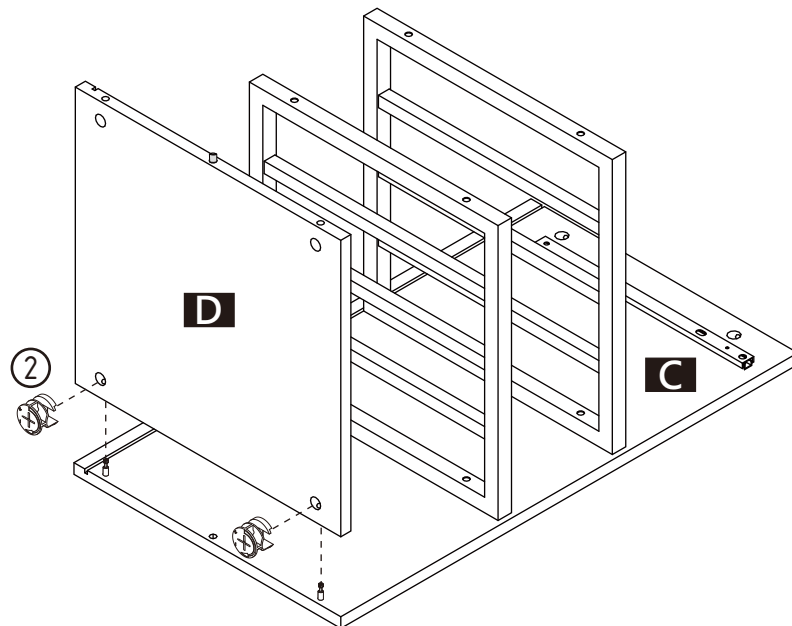
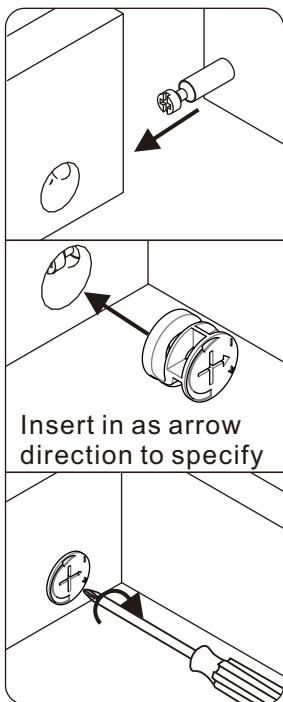
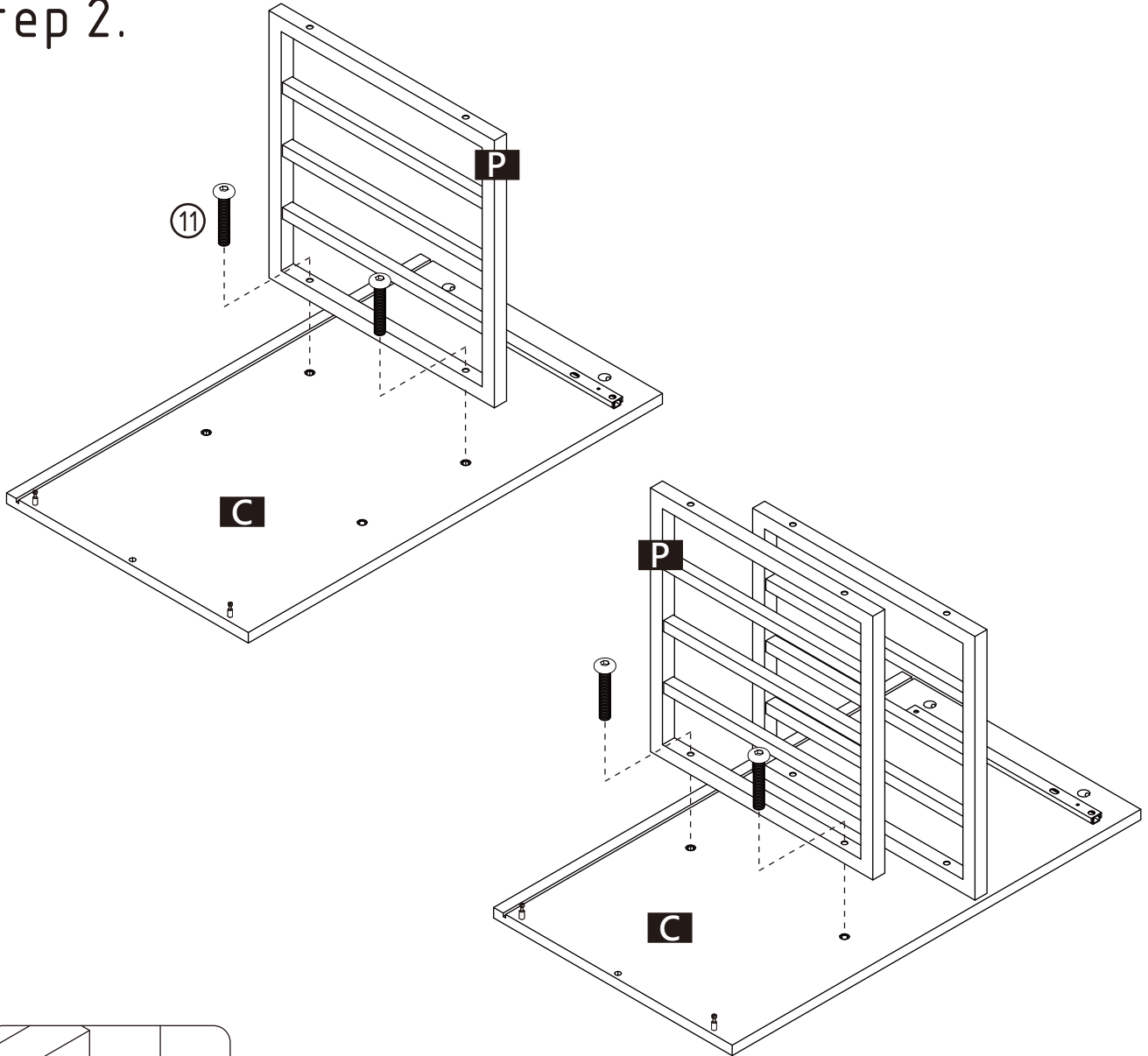
ASSEMBLY INSTRUCTIONS

Step 1.



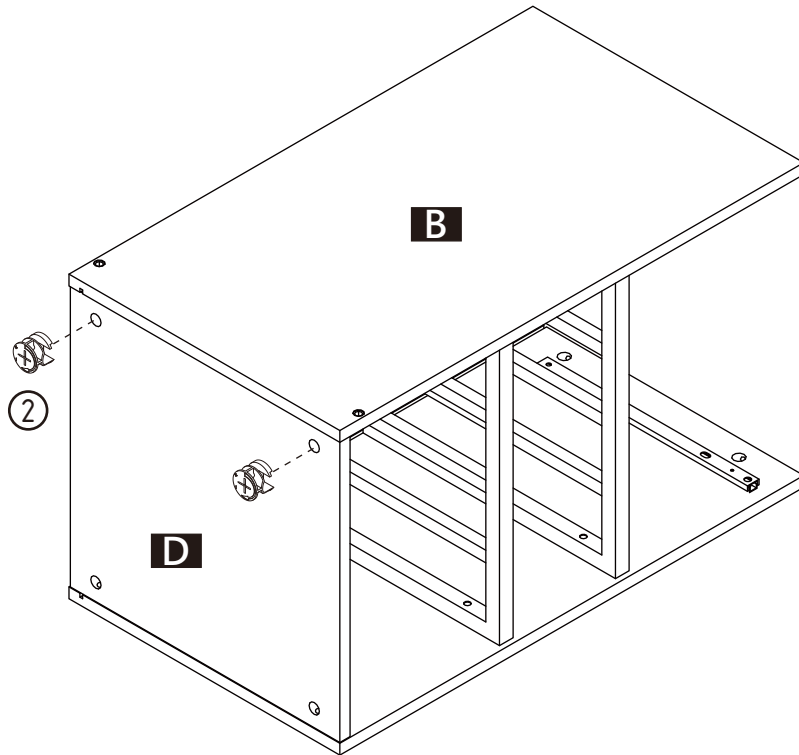
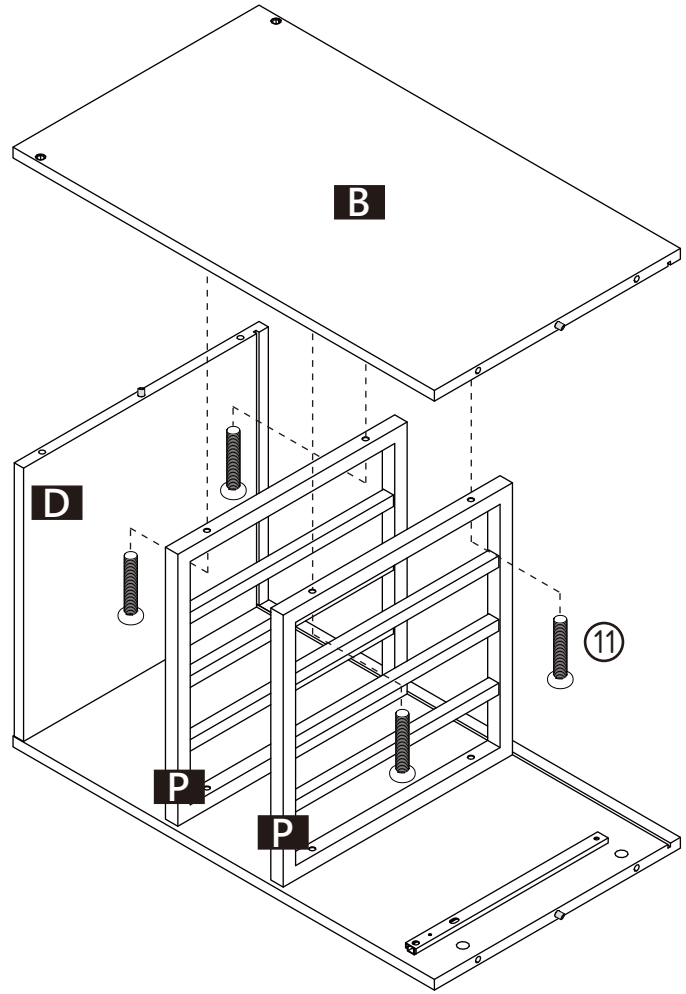
ASSEMBLY INSTRUCTIONS

Step 2.



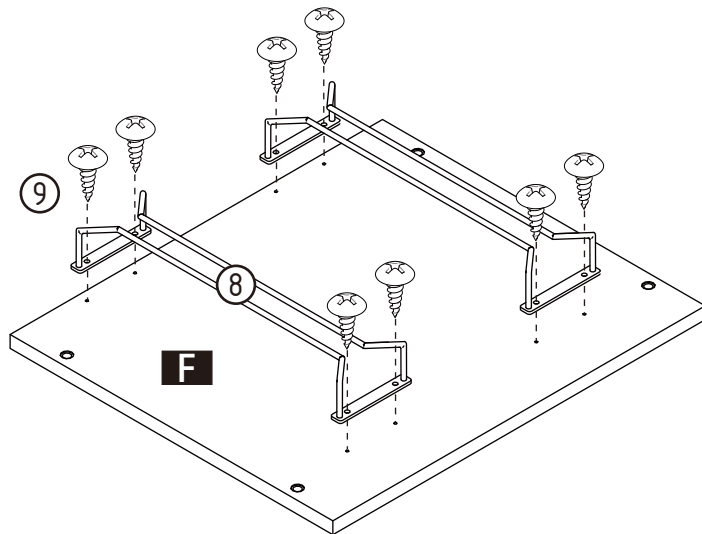
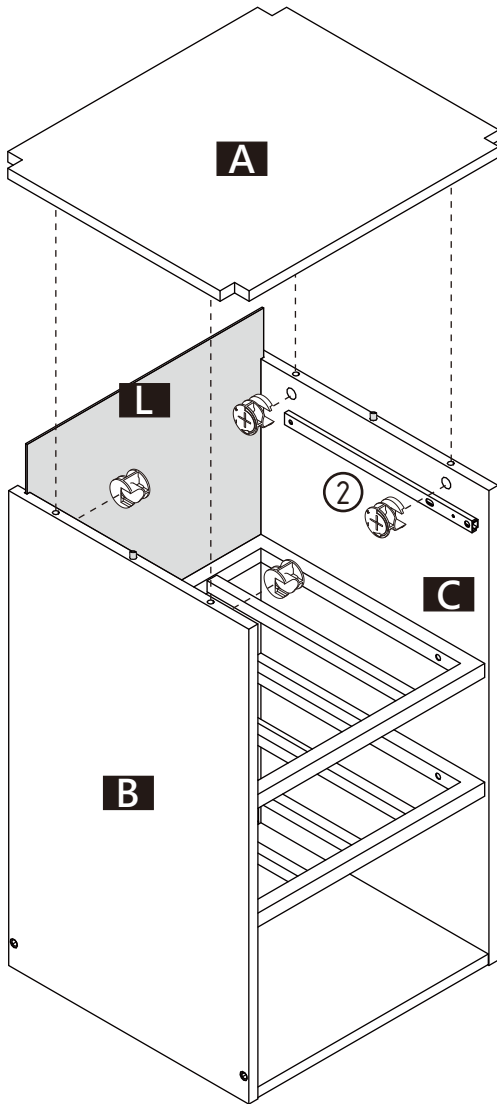
ASSEMBLY INSTRUCTIONS

Step 3.



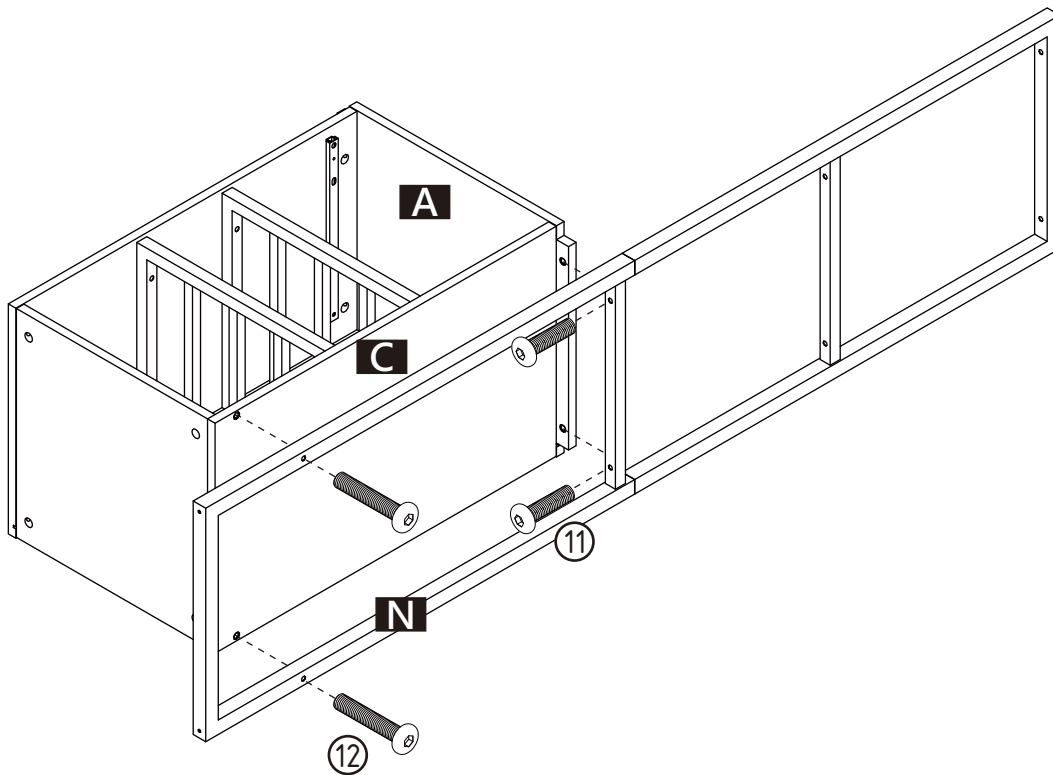
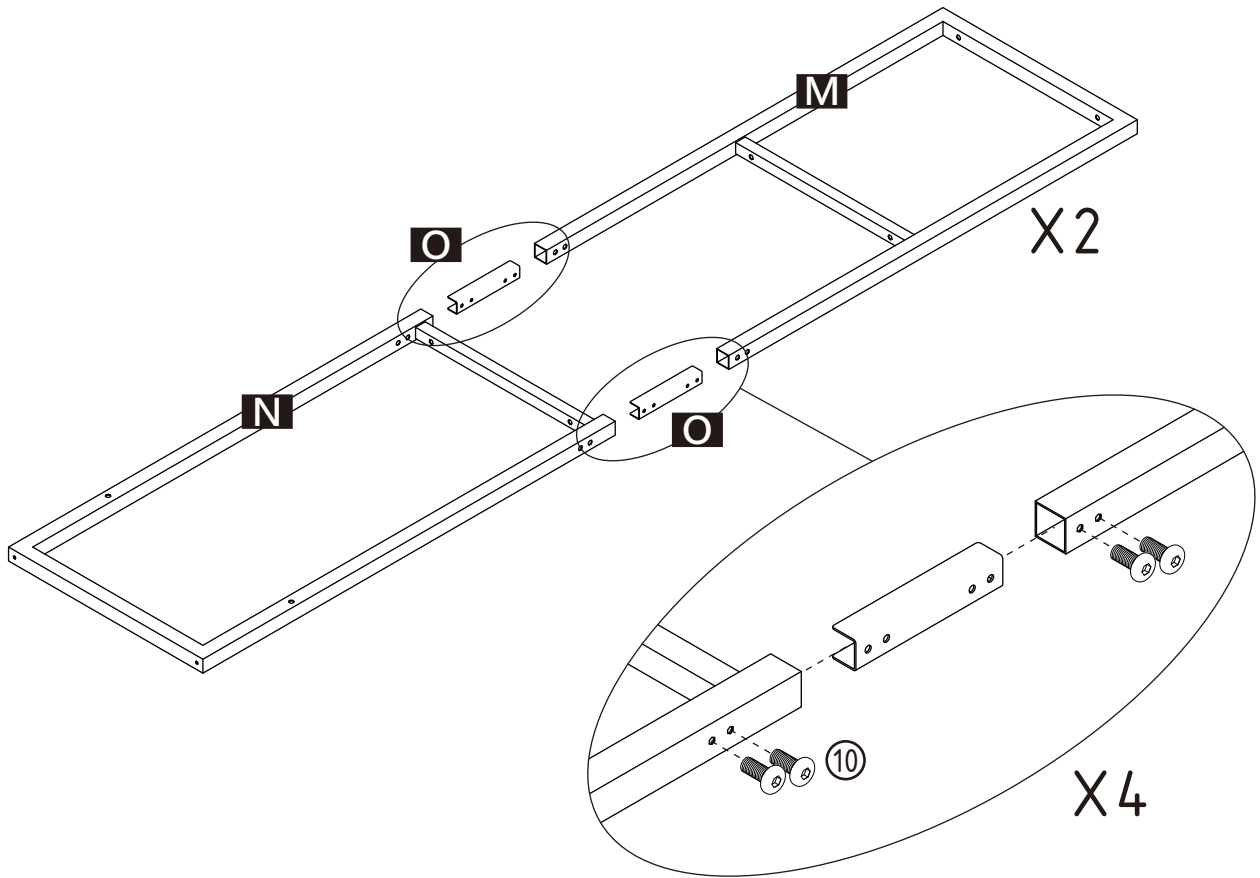
ASSEMBLY INSTRUCTIONS

Step 4.



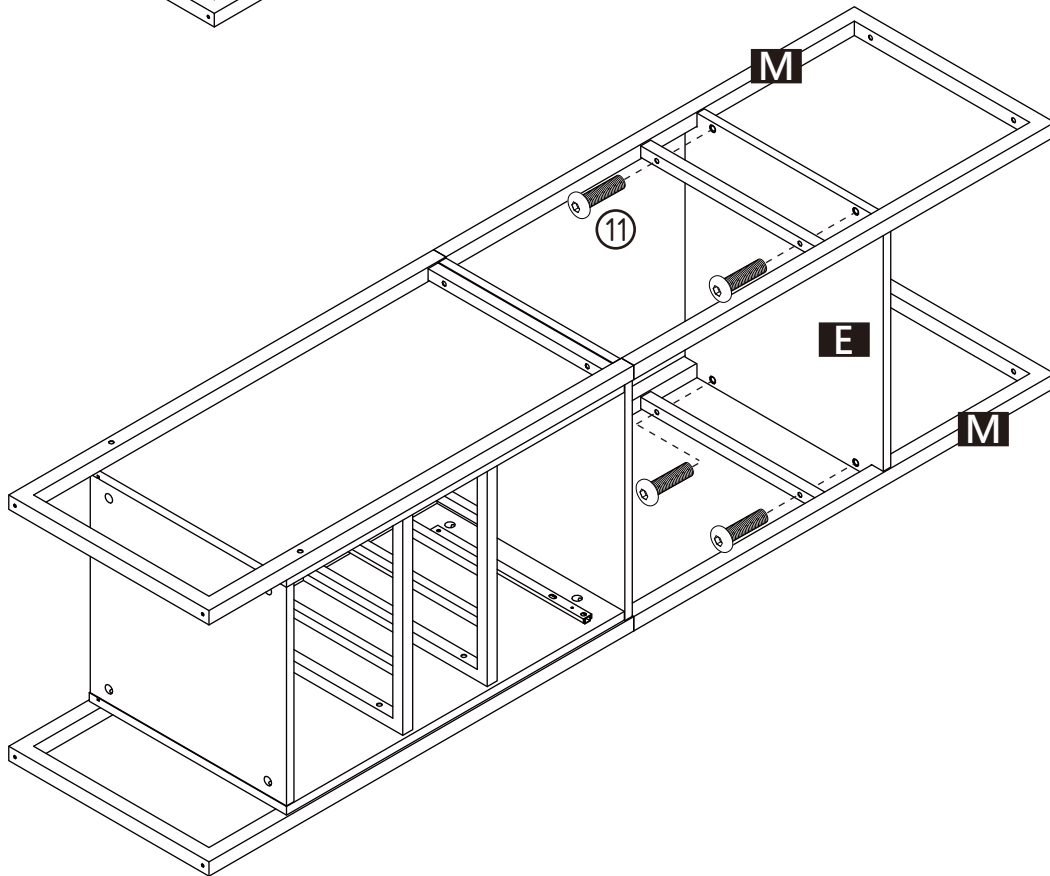
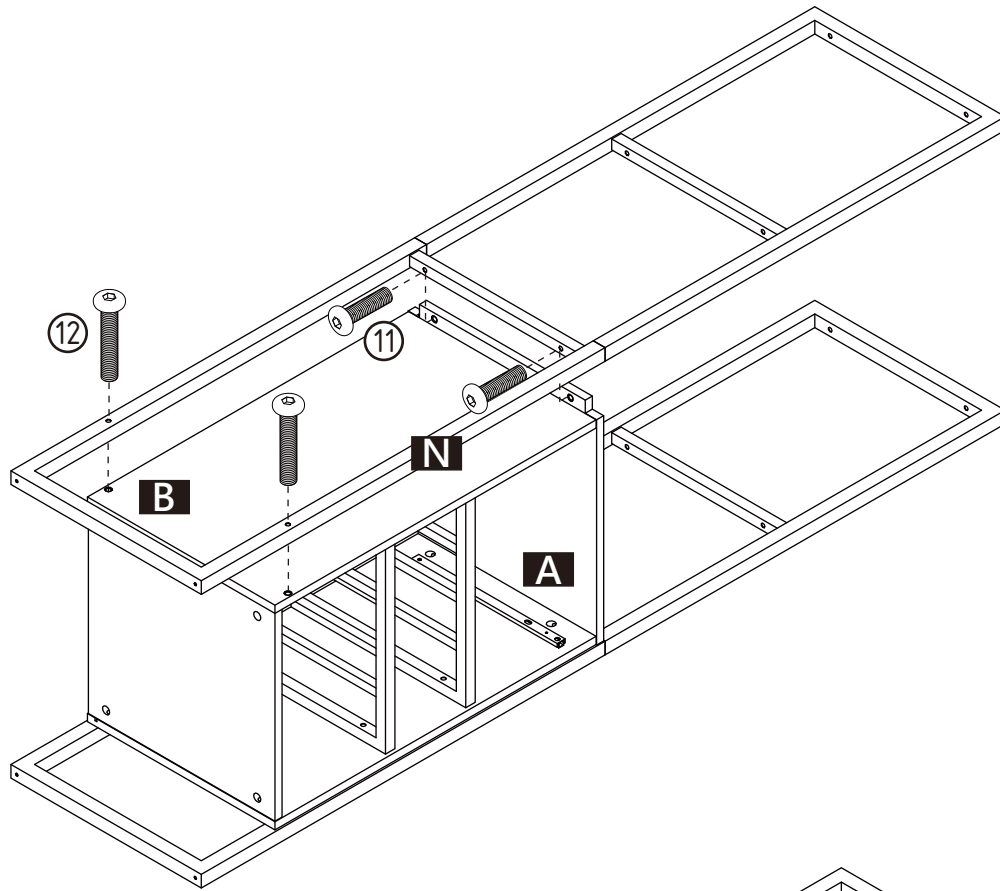
ASSEMBLY INSTRUCTIONS

Step 5.



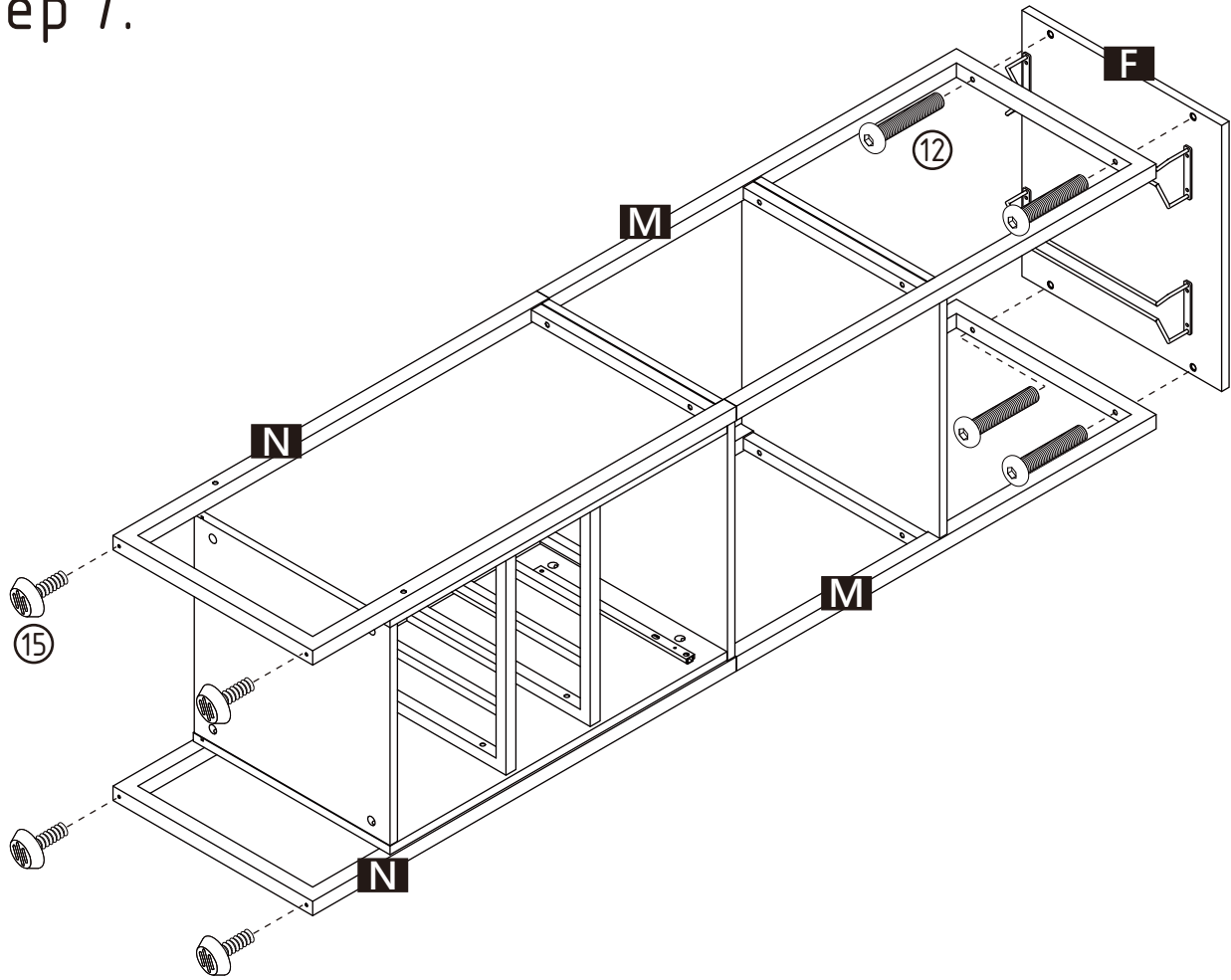
ASSEMBLY INSTRUCTIONS

Step 6.

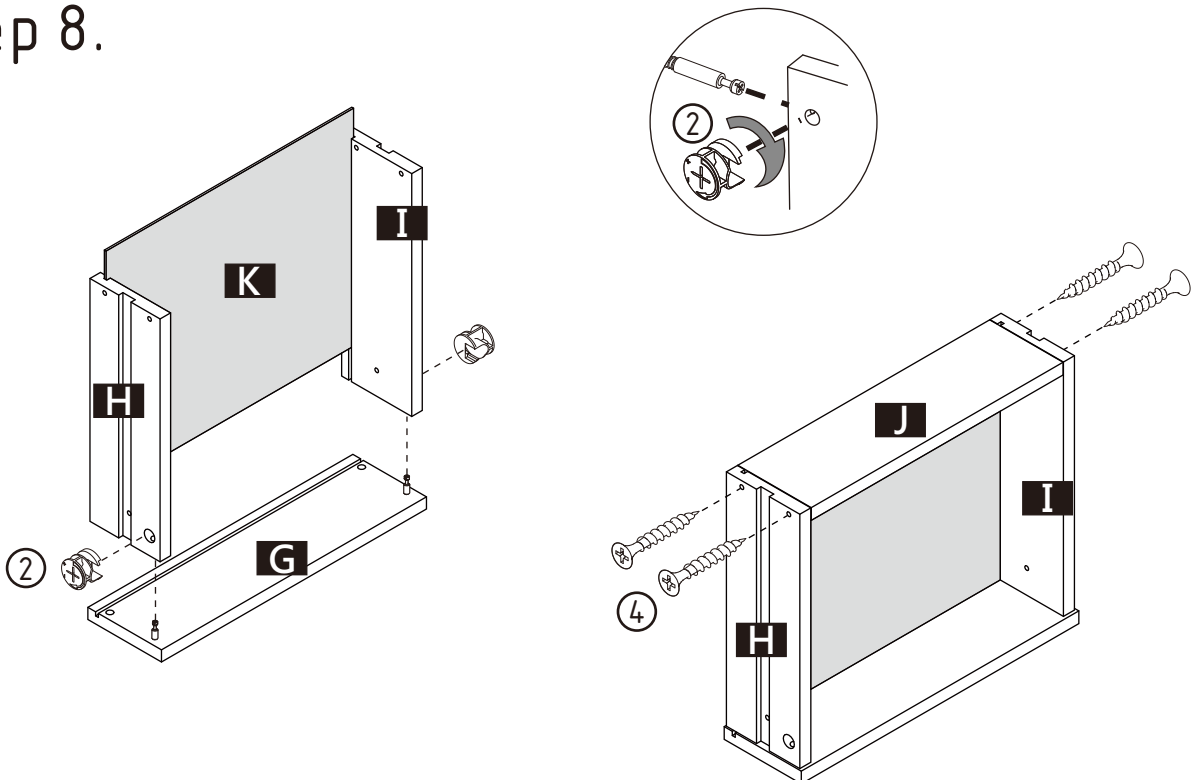


ASSEMBLY INSTRUCTIONS

Step 7.

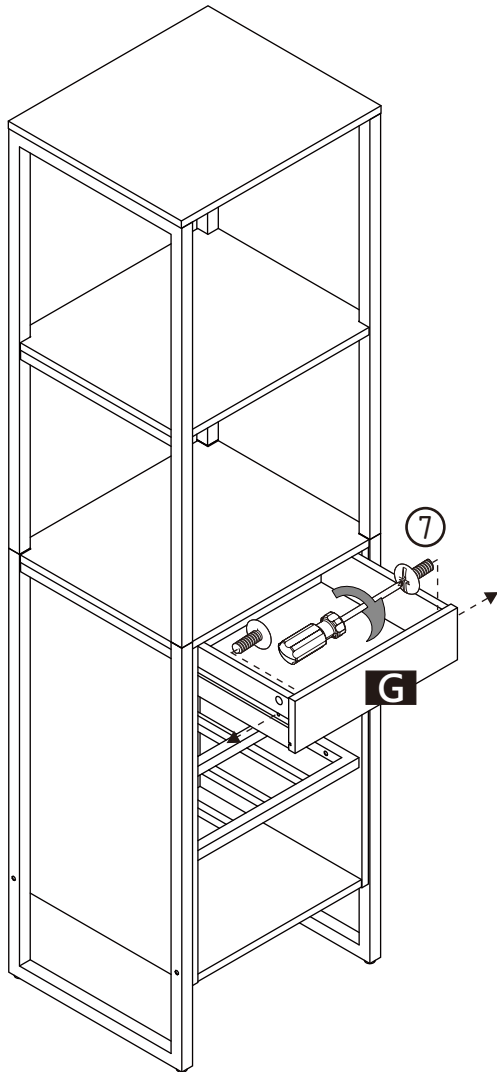


Step 8.

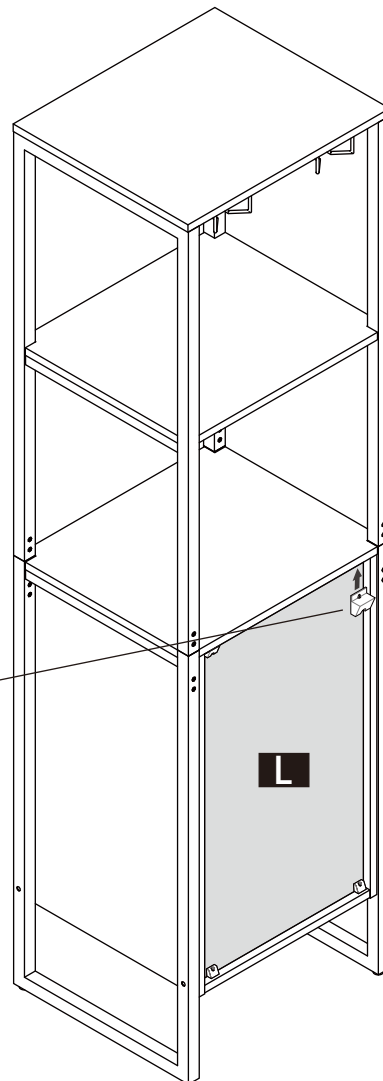
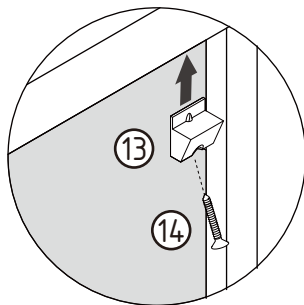


ASSEMBLY INSTRUCTIONS

Step 9.

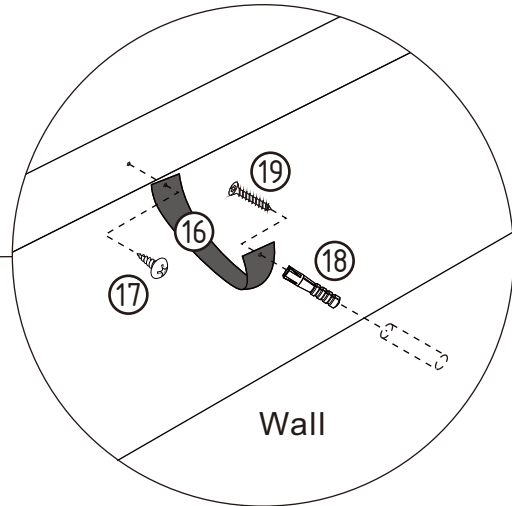
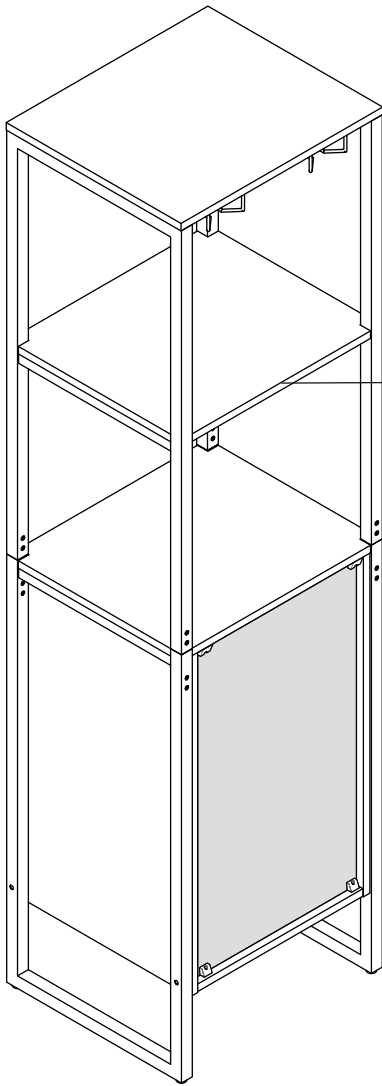


Extend the two outer slides of the runners so that they could align with the sides of the drawer. Make sure the pre-drilled holes from the drawer align with the screw holes of the outer slides. Secure two screws from the inside of the drawer using a Phillips screwdriver to tighten them to the outer slides.



ASSEMBLY INSTRUCTIONS

Step 10.



For safety, please use the strap to secure the unit on the wall.

ASSEMBLY IS COMPLETED.

Make sure the product is rested on a flat surface and does not feel loose or wobbly. If it does, double check that the bolts/screws are secured and properly tightened.