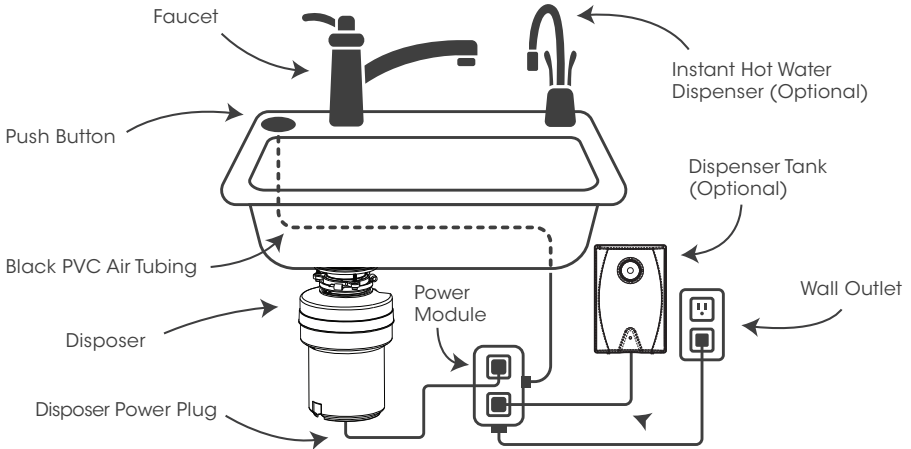


MR. SCRAPPY®

DUAL OUTLET AIR SWITCH KIT FOR FOOD WASTE DISPOSER & OPTIONAL HOT WATER DISPENSER



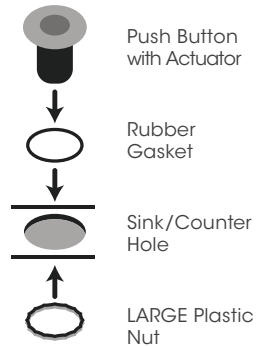
IM-MSAS-64-241

1) Positioning the push button switch.

Remove LARGE plastic nut from the air switch main threads and insert push button with actuator into existing standard sink hole leaving the gasket above the sink/counter. If a hole does NOT exist, drill a 1.37" to 1.57" diameter hole into the counter where you want the button to be located.

2) Attach the tubing to push button.

Once you have determined a good location for the push button switch, remove the SMALL plastic nut at the bottom of the switch to reveal a connection opening. Push the nut over the tubing, connect the tubing to the opening, and screw the nut back on. (Attaching the tube now is more convenient than attaching from under the sink). Fish the tubing and bottom of the switch through the top side of the counter hole. Run the LARGE plastic nut up the tubing, to the threaded lower portion of the switch. Screw the LARGE plastic nut all the way up the thread, ensuring it is firmly secured and water tight.



3) Attach the tubing to the outlet.

Mount the module with the 2 screws BEFORE connecting the tubes. Remove the SMALL plastic nut from the module. Insert the free end of the tube through the nut, into the module and tighten nut back down to secure.

4) Installing/connecting the power module.

Once the air switch and tubing are connected, you can plug the module power cord into your existing power outlet. The food waste disposer can then plug into the top outlet. The disposer may turn on. If it does, engage your air switch to shut off. The secondary outlet can be used optionally for your hot water dispenser. Note - BOTH OUTLETS ARE NEVER ON AT THE SAME TIME. The secondary outlet stays on UNTIL the air switch activates the disposer. After the air switch deactivates the disposer, the secondary outlet turns back on.

WARRANTY INFO
Limited One-Year Warranty
To make a claim, please contact
888-856-6322. Proof of purchase is
required.