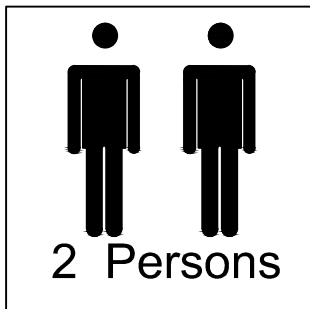
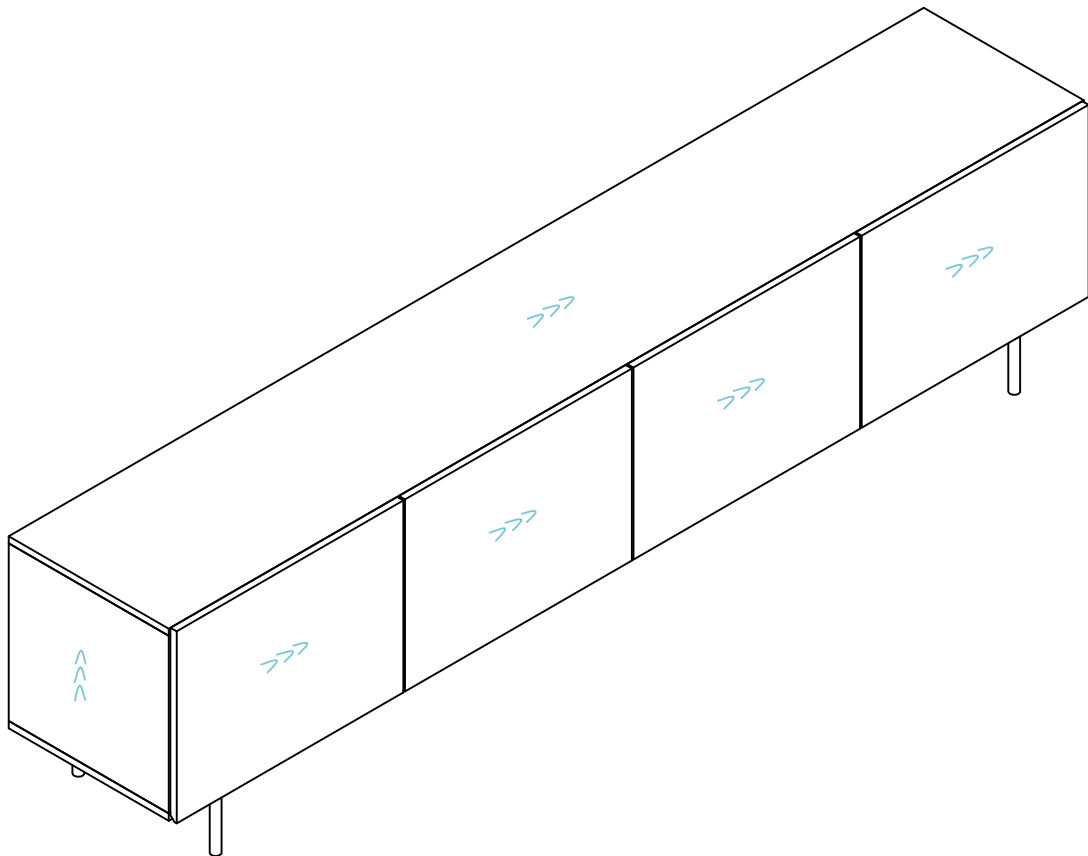
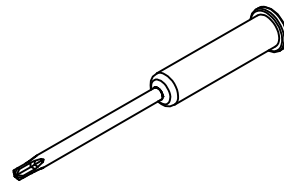


Installation

Product Manual



Tools



Cross Scerwdriver

matters need attention


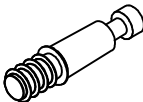
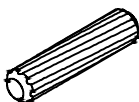
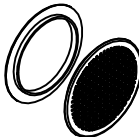
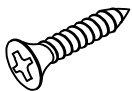
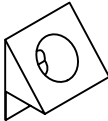

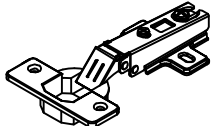
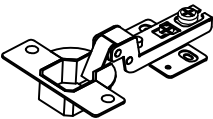
During Installation

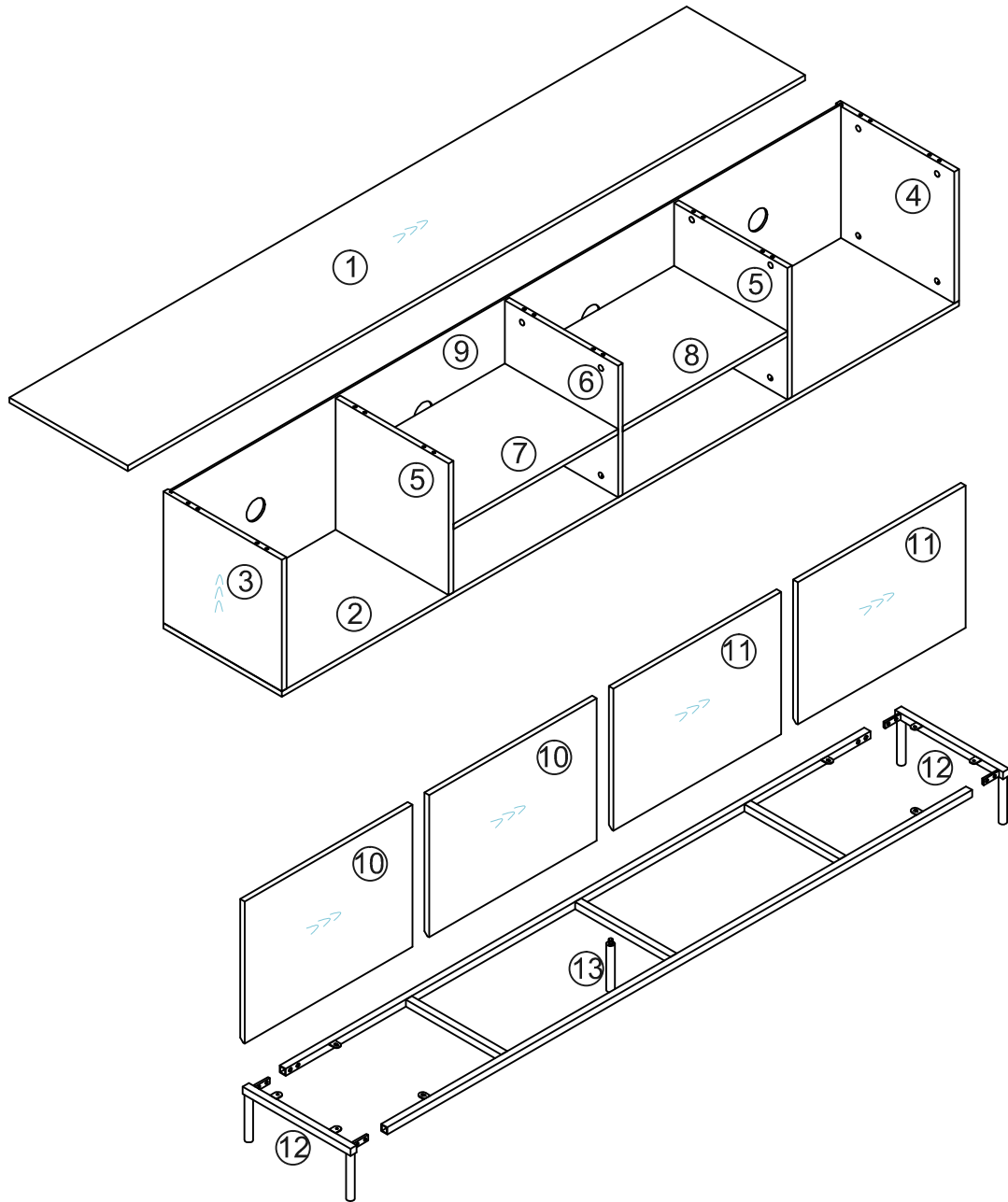
1. Do not discard packing material until assembly is complete, as small parts may loosen inside the carton during shipping. If there is a missing part, please contact our after-sales team.
2. Please assemble this item on soft surfaces such as carpets to protect the finish.
3. Pay attention to stability when assembling to avoid falling or scratching.

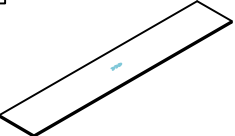
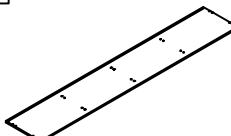

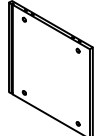
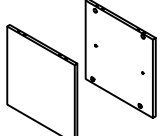
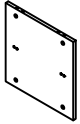
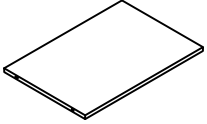
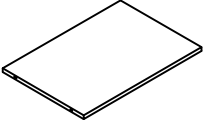
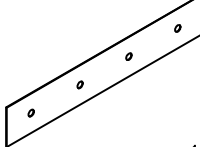
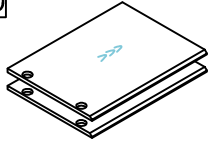
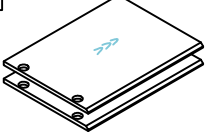
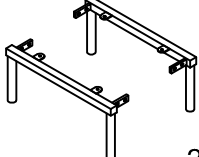
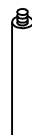
Cleaning and Maintenance

1. To protect the finish, avoid chemicals and household cleaners.
2. Keep away from the heat source to prolong the service life.
3. Wipe up any spilled liquid on top with a damp cloth.

Hardware accessories list

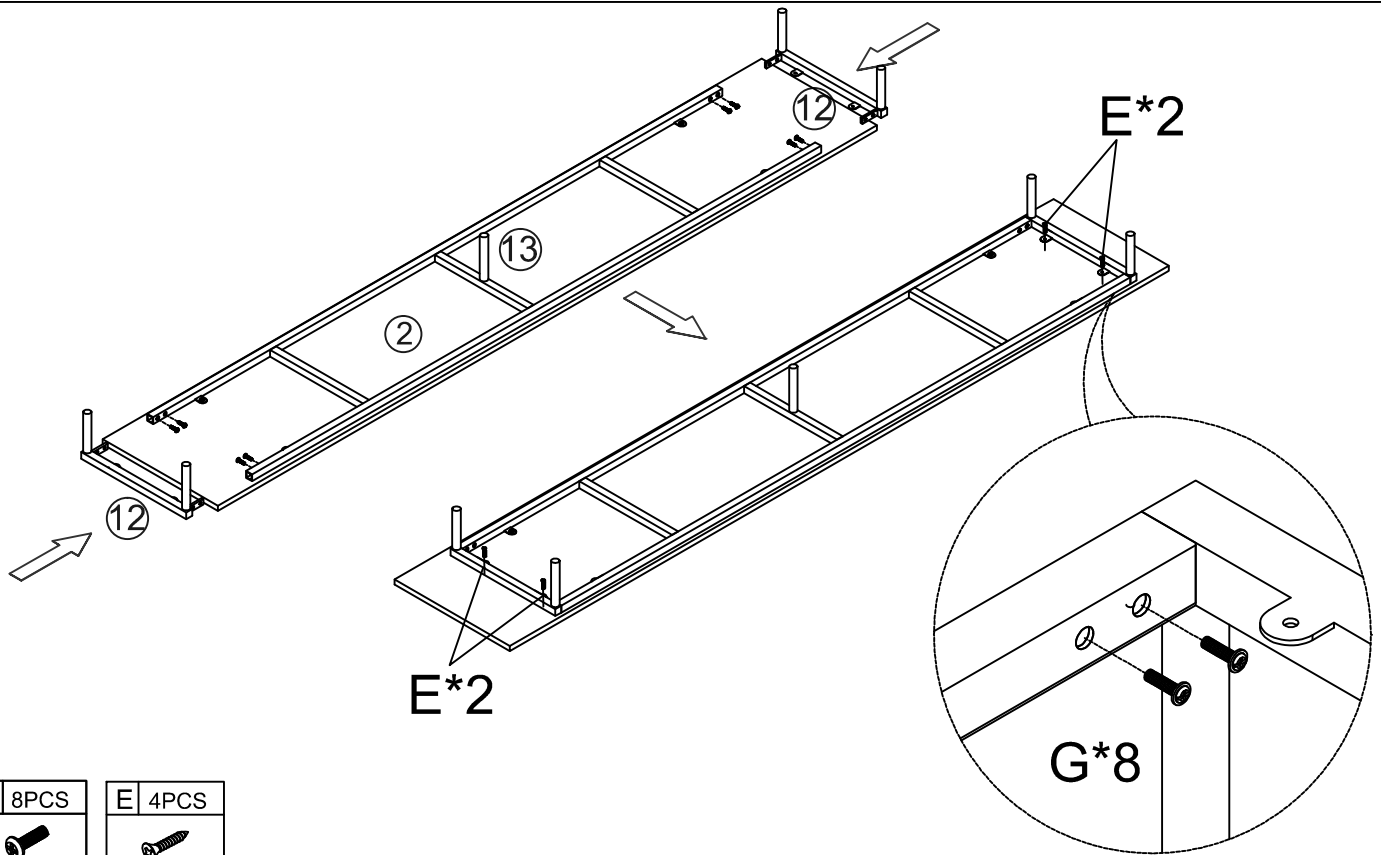
A	28PCS	B	28PCS	C	20PCS	D	4PCS
							
Ø12*10mm		Ø6*25mm		Ø8*30mm		Ø60	
E	80PCS	F	12PCS	G	8PCS	H	4PCS
							
M3.5x14		12*10mm		M8*15		Ø35/90°	
I	4PCS						
							
Ø35/90°							





<p>1</p>  <p>1PC</p>	<p>2</p>  <p>1PC</p>	<p>3</p>  <p>1PC</p>	<p>4</p>  <p>1PC</p>	<p>5</p>  <p>2PC</p>
<p>6</p>  <p>1PC</p>	<p>7</p>  <p>1PC</p>	<p>8</p>  <p>1PC</p>	<p>9</p>  <p>1PC</p>	<p>10</p>  <p>2PC</p>
<p>11</p>  <p>2PC</p>	<p>12</p>  <p>2PC</p>	<p>13</p>  <p>1PC</p>	<p>4 page</p>	

STEP 1

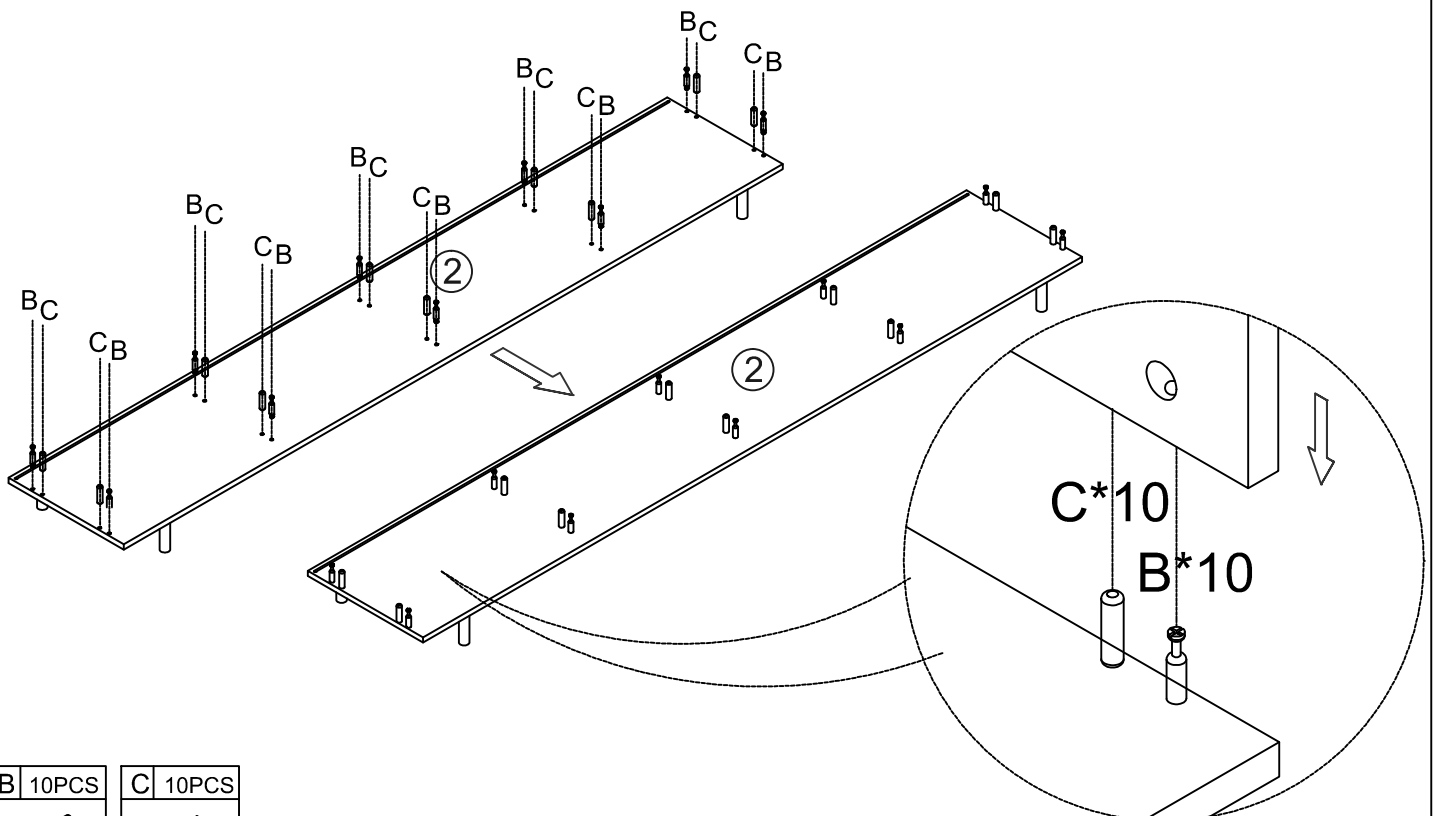
Install brackets 12 and 13 on board 2





G 8PCS	E 4PCS
	
M8*15	M3.5x14

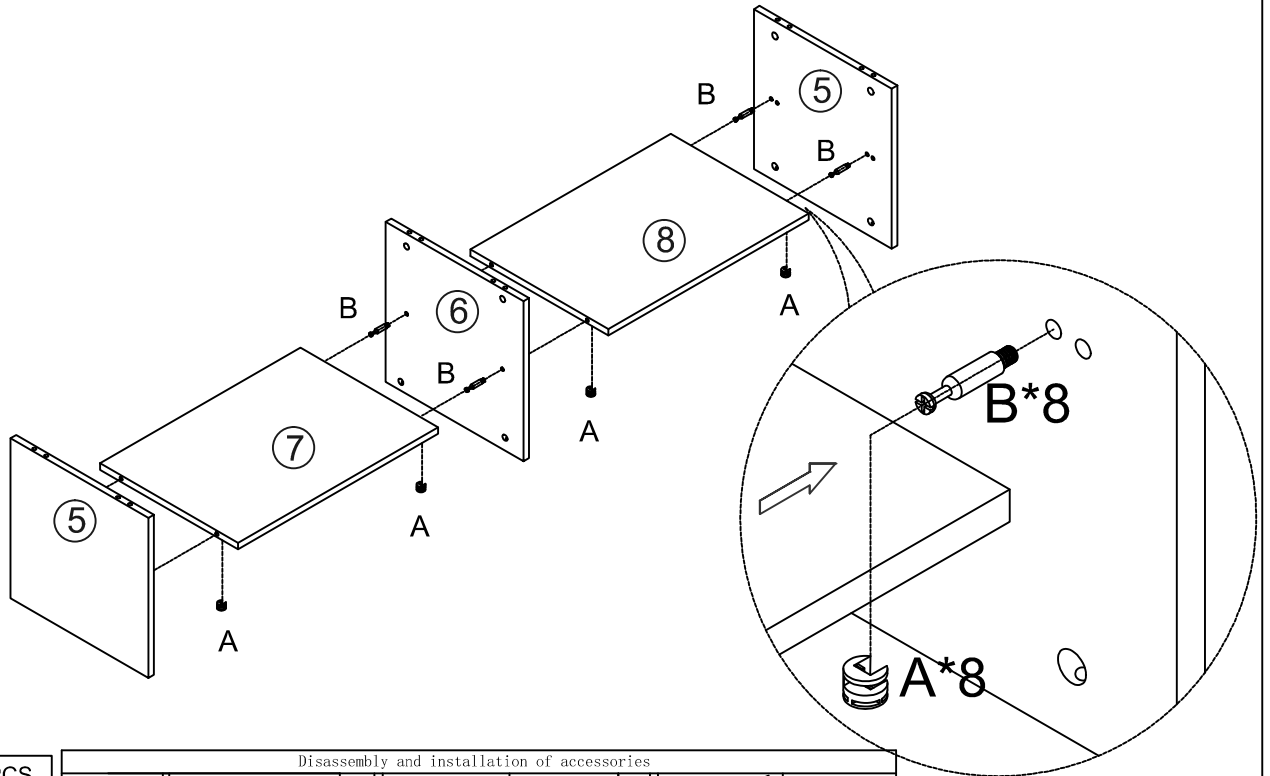
STEP 2

Install accessories B and C on board 2



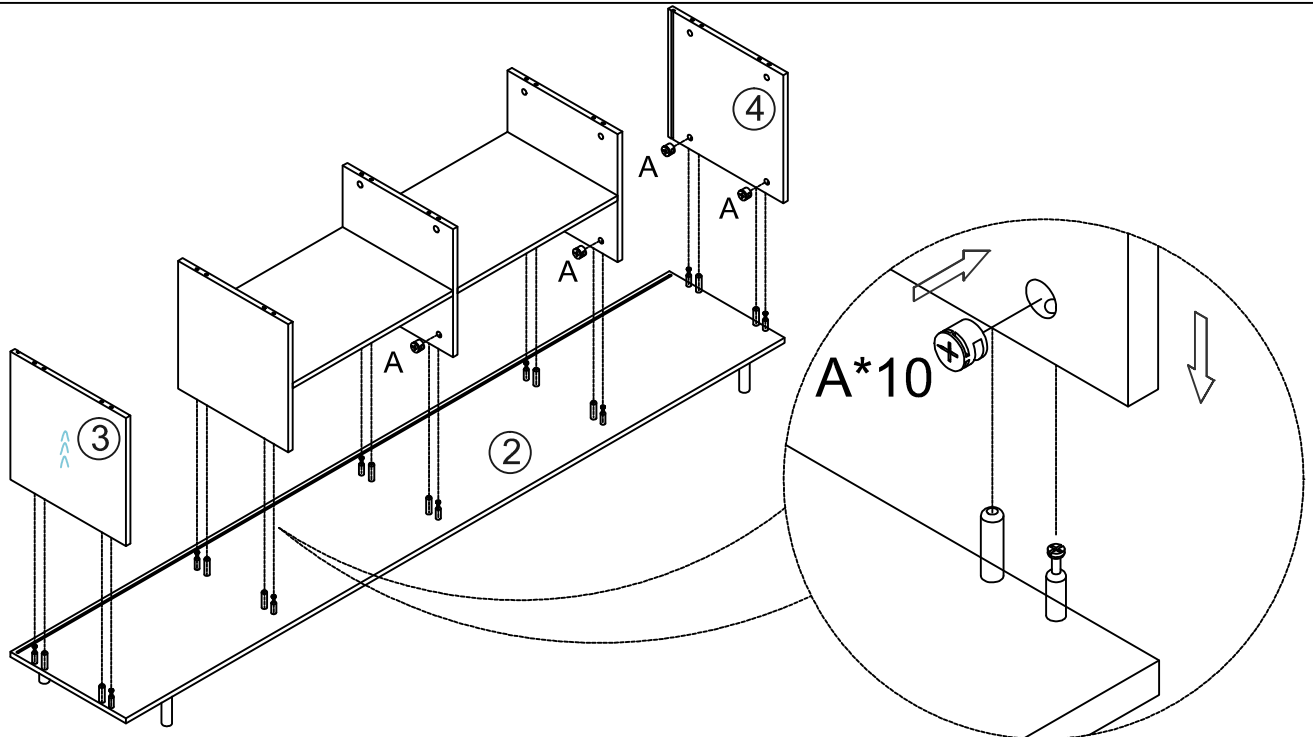
B 10PCS	C 10PCS
	
Φ6*25mm	Φ8*30mm

STEP 3 Install and fix boards 5, 6, 7, and 8 by using accessories A and B in the order shown in the figure



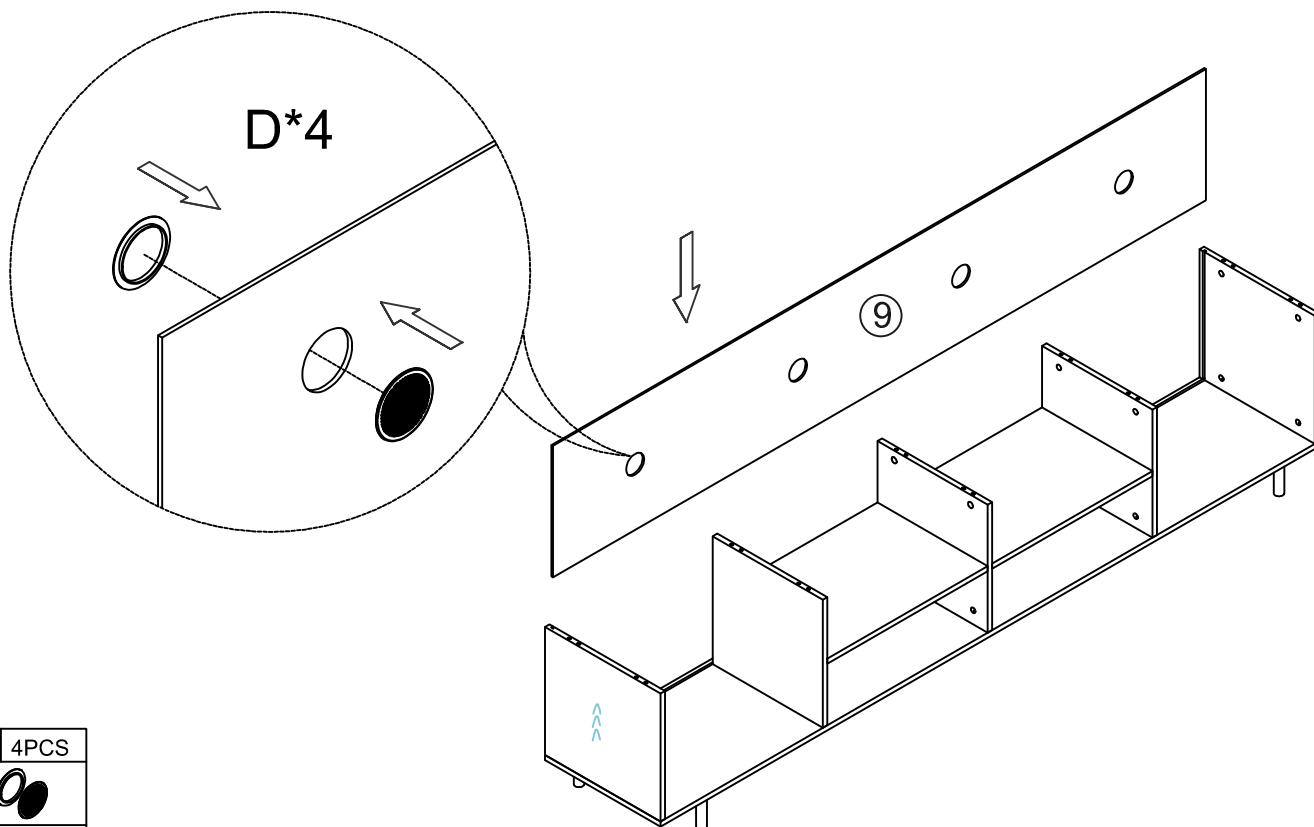
A 8PCS	B 8PCS	Disassembly and installation of accessories	
		I	II
Ø12*10mm	Ø6*25mm		
		III	
			Rotate 180 degrees

STEP 4 Install boards 3, 4, and other boards (As shown in the figure) on board 2 by using accessory A to fix them



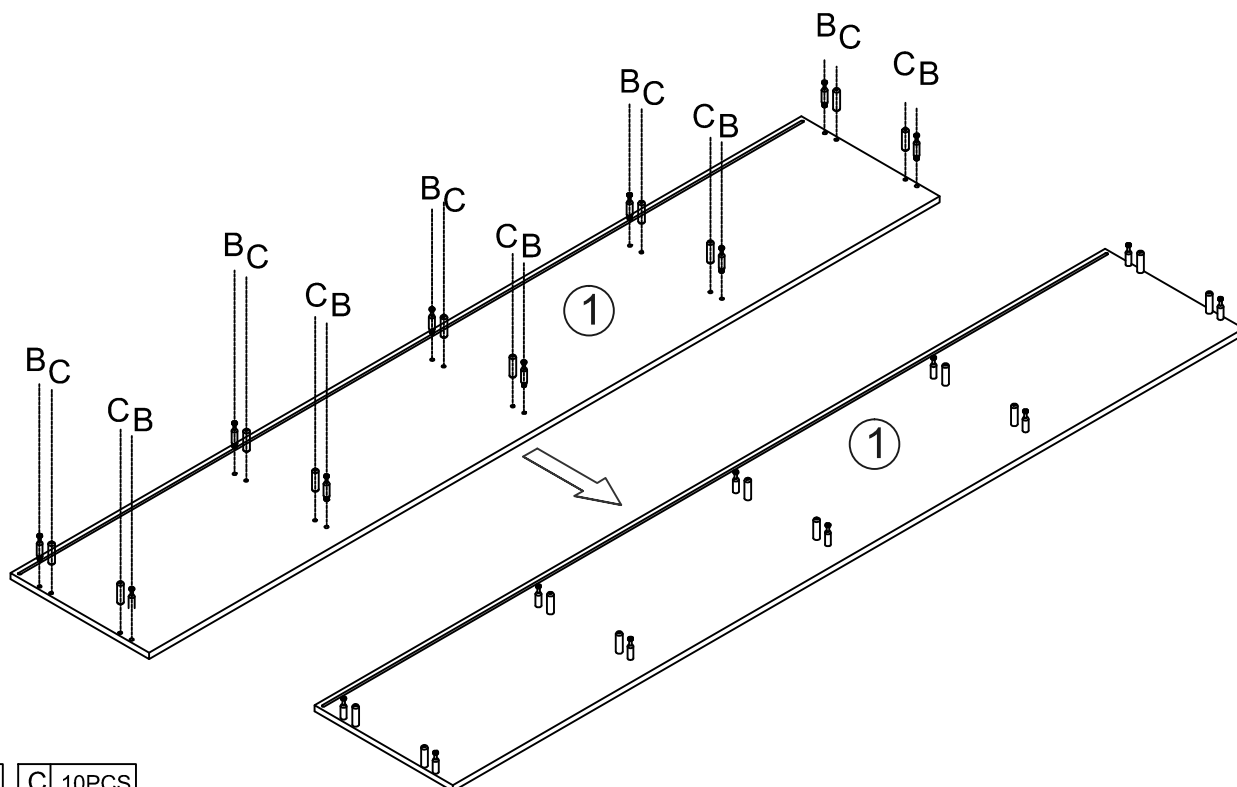
A 10PCS	Disassembly and installation of accessories	
	I	II
Ø12*10mm		
	III	
		Rotate 180 degrees

STEP 5 First, install accessory D on board 9, then install board 9 on the TV cabinet



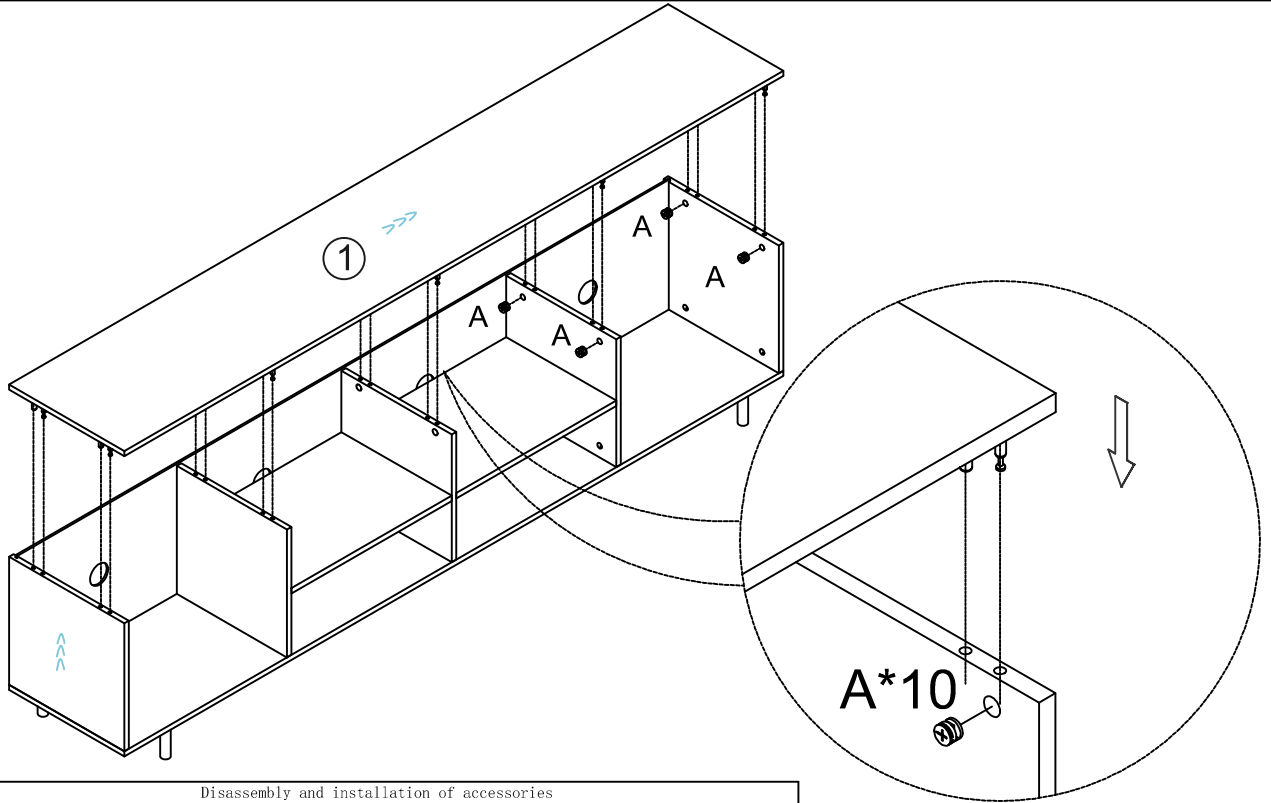
D	4PCS
$\varnothing 60$	

STEP 6 Install accessories B and C on board 1

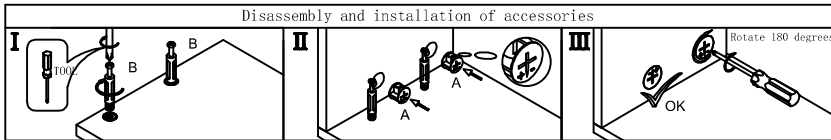


B	10PCS	C	10PCS
$\varnothing 6 \times 25\text{mm}$		$\varnothing 8 \times 30\text{mm}$	

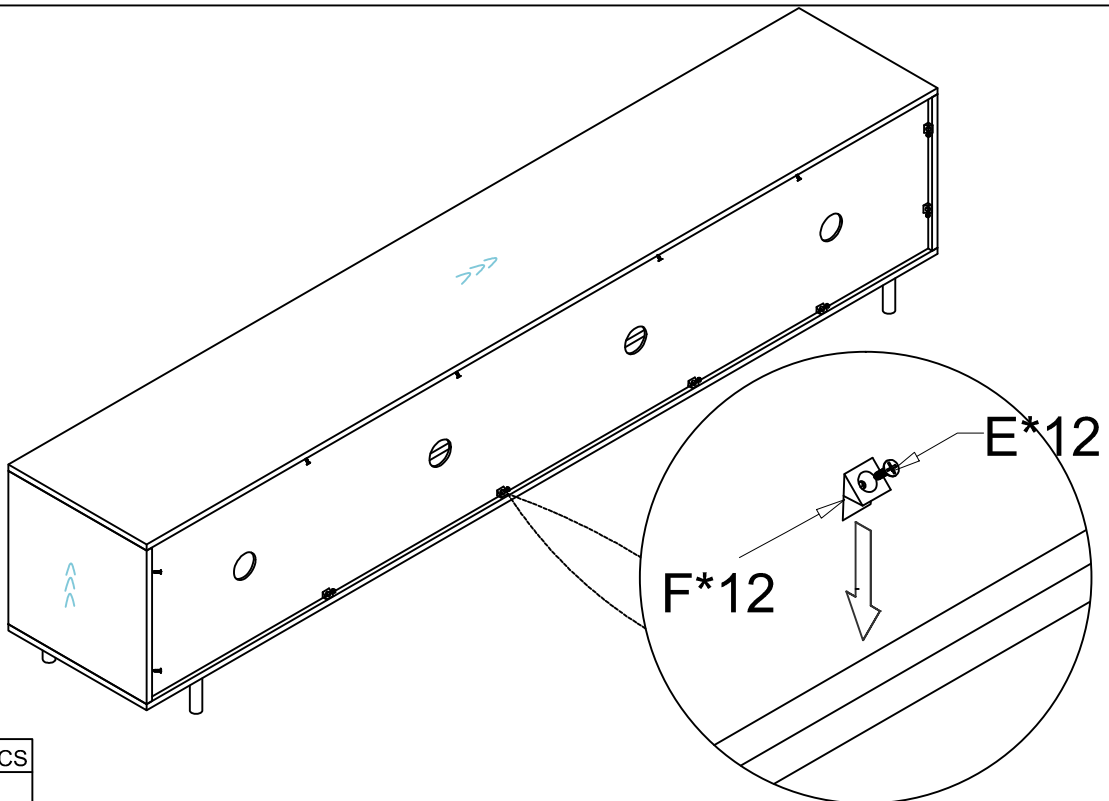
STEP 7 Install board 1 first, then fix it with accessory A



A	10PCS
∅12*10mm	

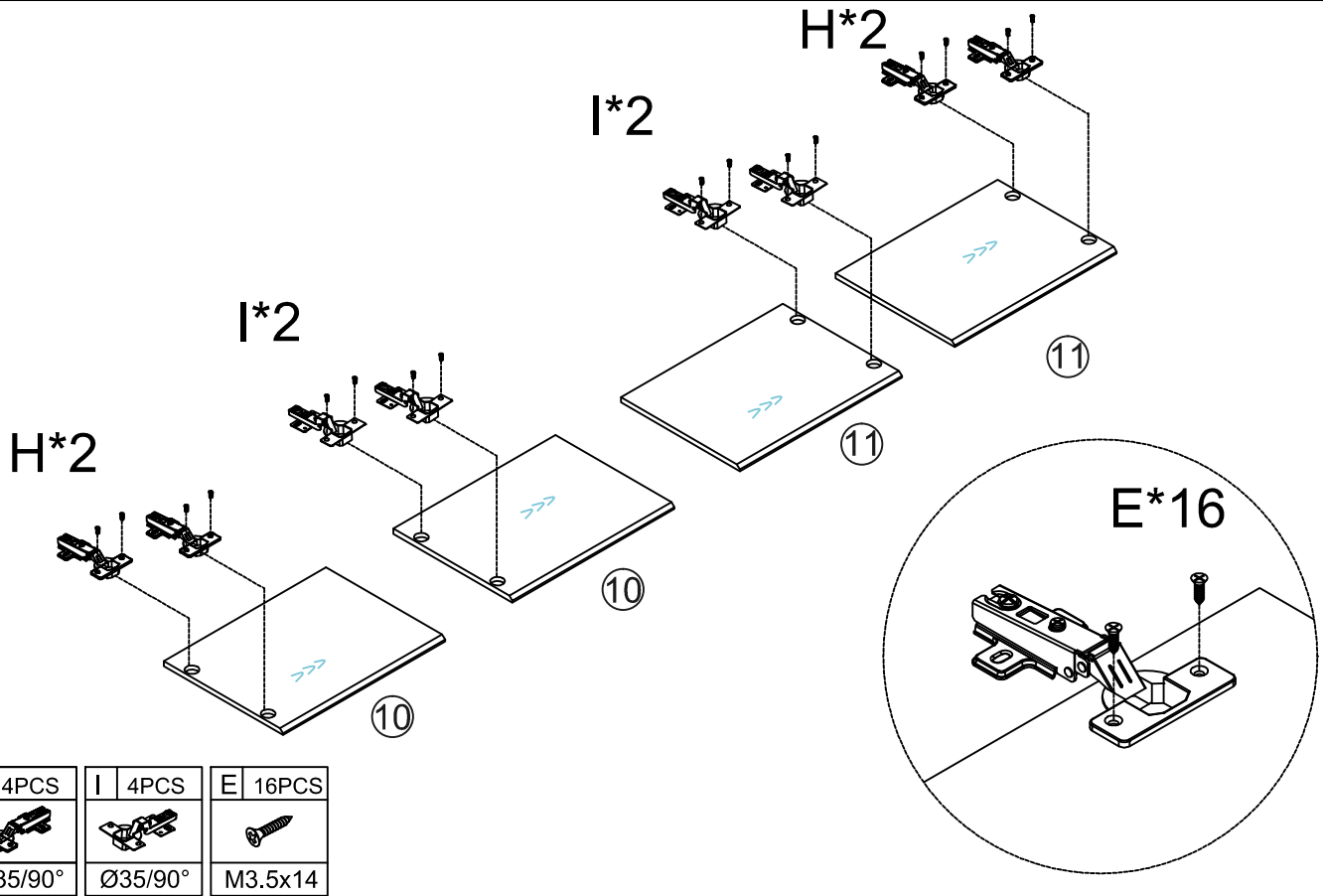


STEP 8 Install accessories F on the back of the TV cabinet for reinforcement. The installation position and number of accessories F can be selected according to your needs

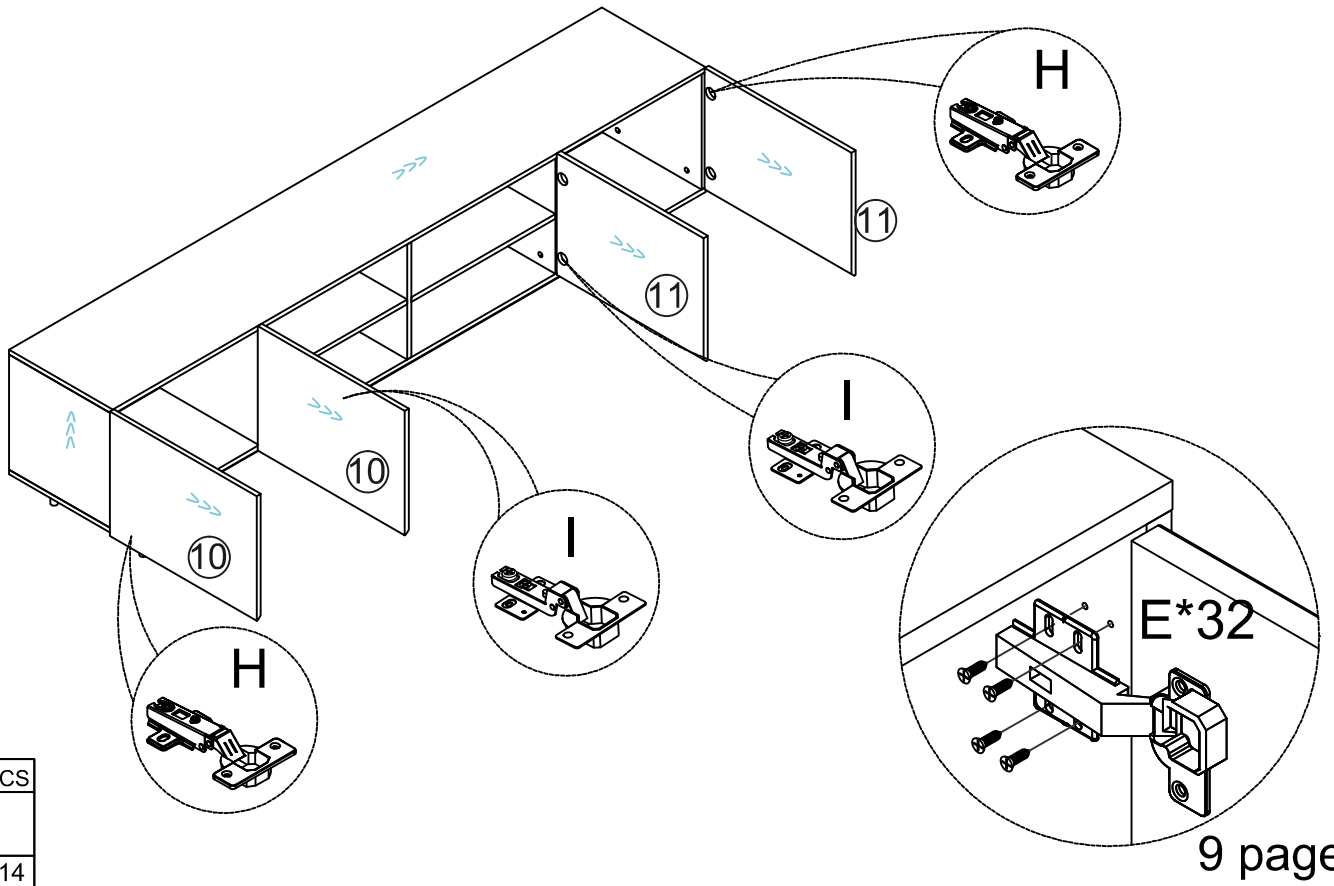


E	12PCS	F	12PCS
M3.5x14		12*10mm	

STEP 9 Install accessories H and I on boards 10 and 11

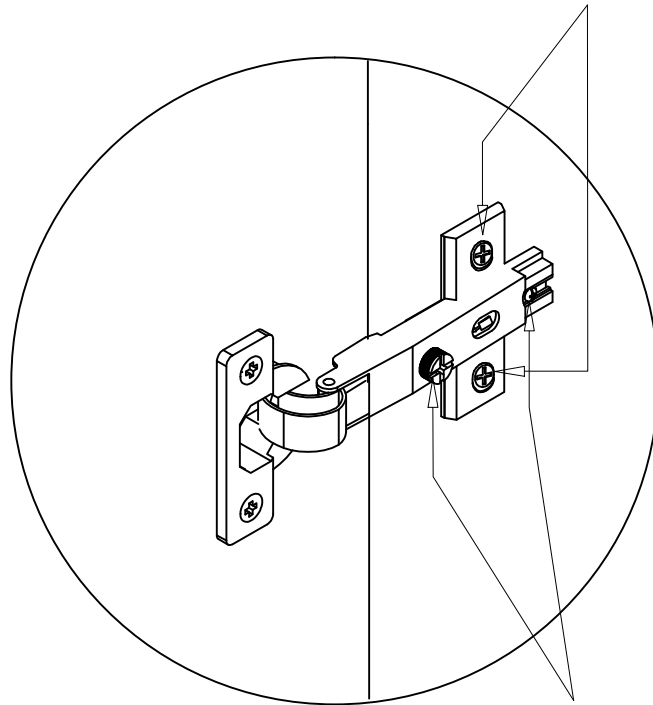


STEP 10 Install boards 10 and 11 in the order shown in the figure. (This step is recommended two people to install)



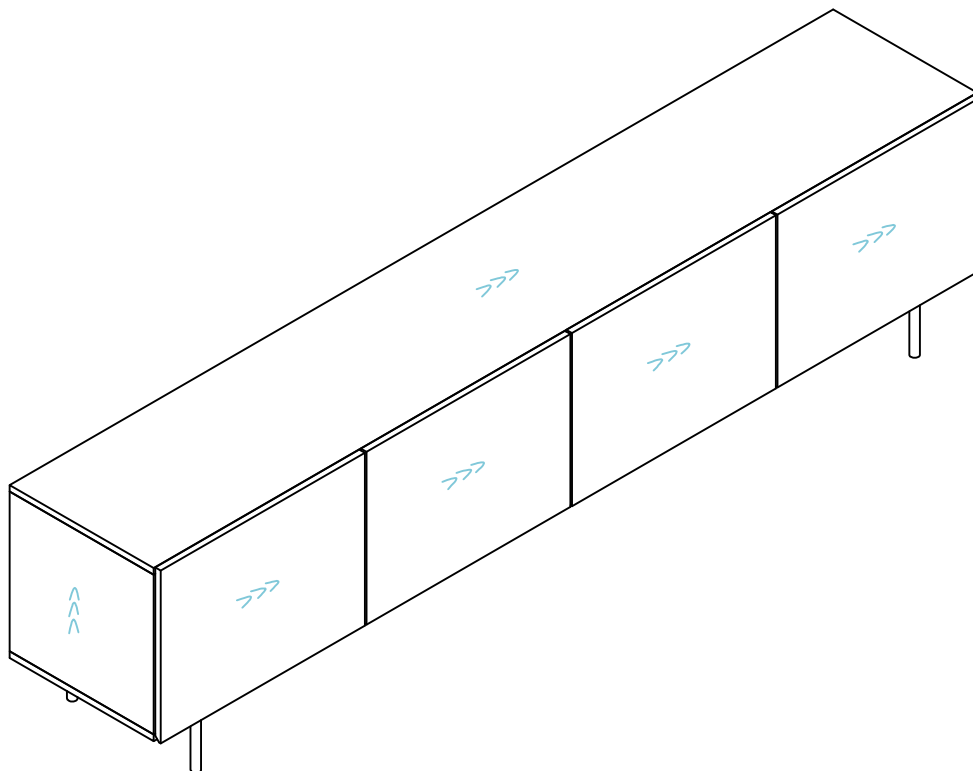
STEP 11 The door panel can be adjusted by adjusting the screws of the accessories H

The top and bottom screws can adjust the door height



The two screws at the front and back can adjust the gap between the door panels

STEP 12 Congratulations! the installation is complete. You are great. Thank you for your hard work



OK

10 page