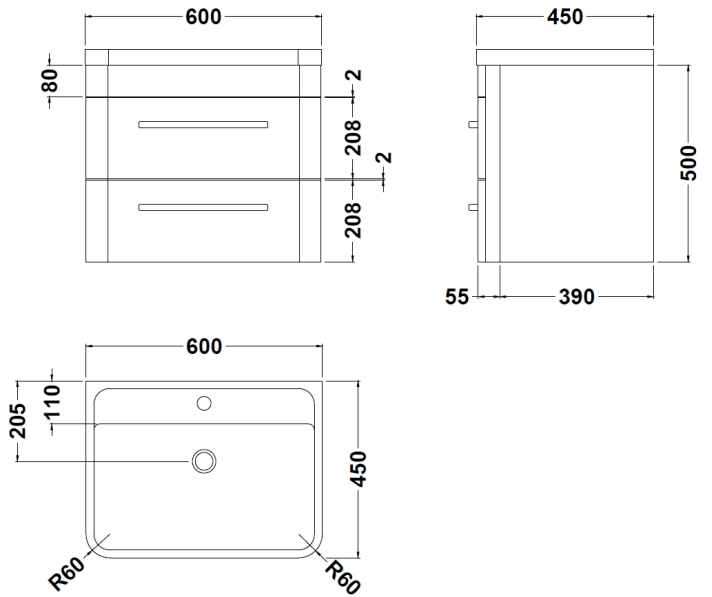


CUSTOMER DATA SHEET

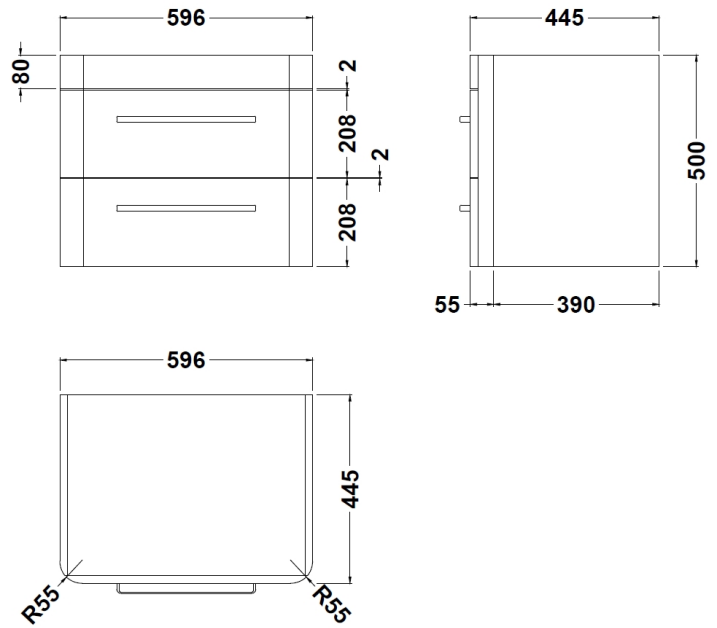
DESCRIPTION:

600 W/H 2-Drawer Unit & Basin



CUSTOMER DATA SHEET - FURNITURE

DESCRIPTION: 600 W/H 2-Drawer Unit 500 X 596 X 447



PRODUCT DIMENSIONS

Height (mm)	Width (mm)	Depth (mm)	Nett Wgt Kg
500	596	445	22

PACKAGING DIMENSIONS

Height (mm)	Width (mm)	Depth (mm)	Gross Wgt Kg
570	670	510	23

PACKAGING DATA

Box Colour	Brown Cardboard Box		
Box Qty	1	Label Colour	White Label
Label Size	150 x 100	Label Qty	2

OUTER BOX DIMENSIONS (If Applicable)

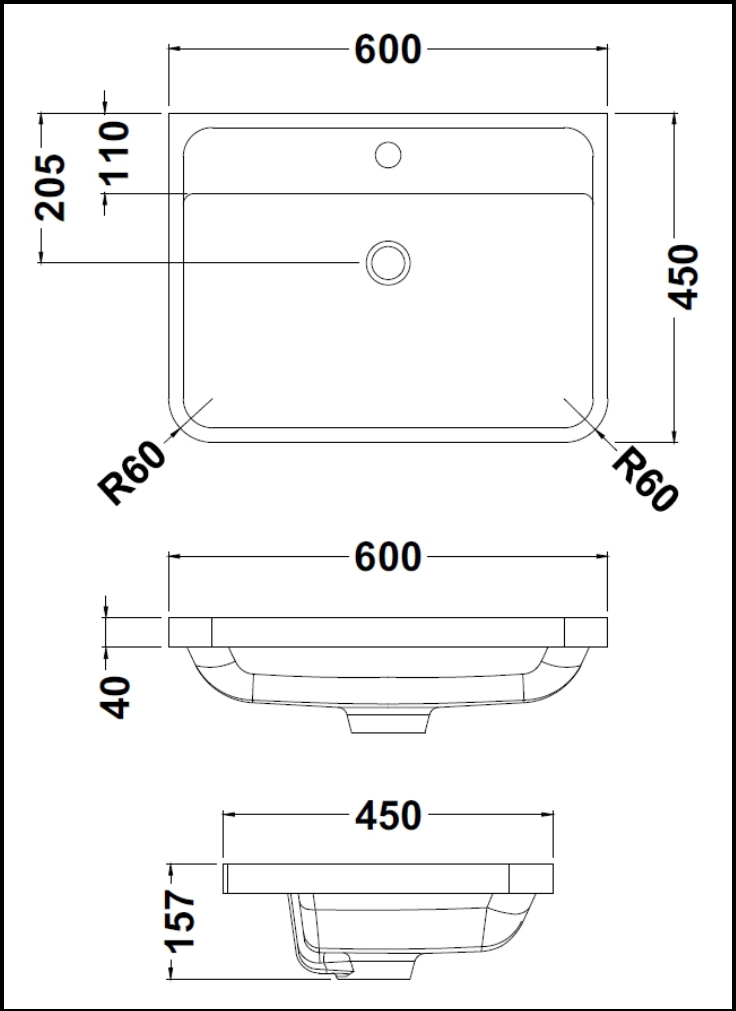
Height (mm)	Width (mm)	Depth (mm)	Gross Wgt Kg

PRODUCT DETAILS

Country of Origin	United Kingdom			
Fitting Instruction	No			
Constr' Method	Cam & Wood Dowel			
Cabinet Finish	Mdf Vinyl Smooth Matt			
Cab Thickness (mm)	18			
Drawer Included	Yes			
No of Shelves	0			
Hinge Inc'	Not Applicable			
Fixings Inc'	Yes			
Handle Inc'	Yes			
Handle Type	D-Shape			
Certification	FSC	Yes	CE	
Colour	Indigo Blue			
Constr' Type	Rigid			
Fascia Finish	Mdf Vinyl Smooth Matt			
Fas Thickness (mm)	18			
Drawer Type	80mm High Metal S/C Inc Galler			
Hinge Type	Not Applicable			
Adjustable Legs	Not Applicable			
Handle Style	Modern			
Waste Shroud	Yes			

CUSTOMER DATA SHEET - CERAMICS

DESCRIPTION: 600X450mm Poly Marble Basin



PRODUCT DIMENSIONS			
Height (mm)	Width (mm)	Depth (mm)	Nett Wgt Kg
450	600	157	12.82

PACKAGING DIMENSIONS			
Height (mm)	Width (mm)	Depth (mm)	Gross Wgt Kg
167	640	470	12.82

PACKAGING DATA			
Box Colour	Brown Cardboard Box - Printed		
Box Qty	1	Label Colour	White Label
Label Size	100 x 50	Label Qty	2

OUTER BOX DIMENSIONS (If Applicable)			
Height (mm)	Width (mm)	Depth (mm)	Gross Wgt Kg

PRODUCT DETAILS	
Country of Origin	China
Fitting Instruction	No

Certification	CE	No	WRAS	N/A	WRAS Number	N/A
Product Material	Polymarble					

PANS/BIDETS			
Trap Style	Not Applicable	Includes Seat	Not Applicable

CISTERNS			
Fittings	Not Applicable	Operating Type	Not Applicable
Lever Type	Not Applicable		

SEAT			
Type	Not Applicable	Function	Not Applicable
Material	Not Applicable		
Hinge Type	Not Applicable	Hinge Material	Not Applicable

BASINS			
Tap Hole	One Taphole	Chain Stay Hole	No
Template	Not Required	Waste Type Req'd	Slotted
Overflow Incl.	Yes	Overflow Cover	Yes
Inner Bowl Depth	110mm		

GENERAL	
Fixing Supplied	No