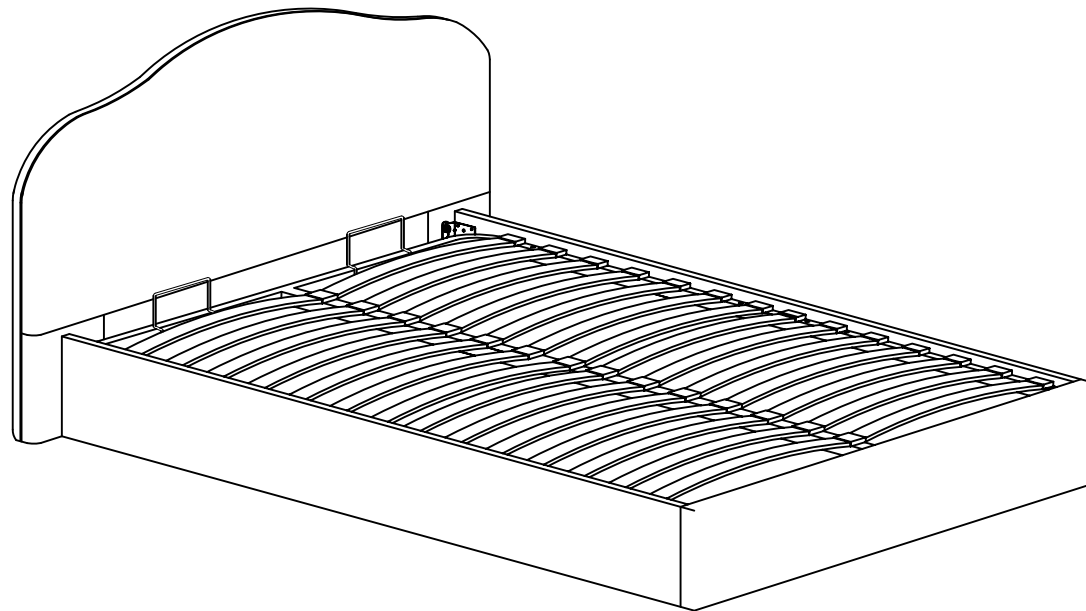


MOE'S

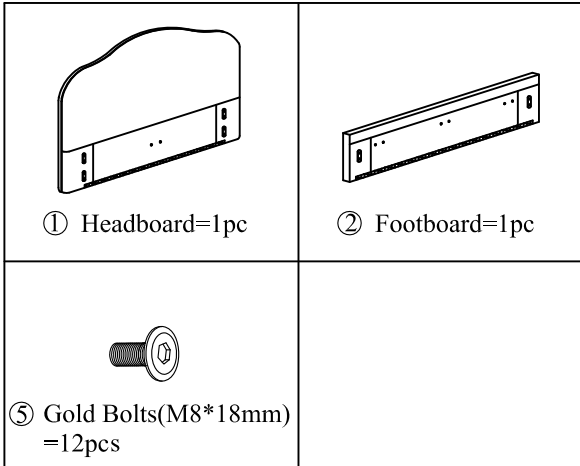
Assembly Instructions Maggie Queen Storage Bed Taupe

RN-1163-39-0

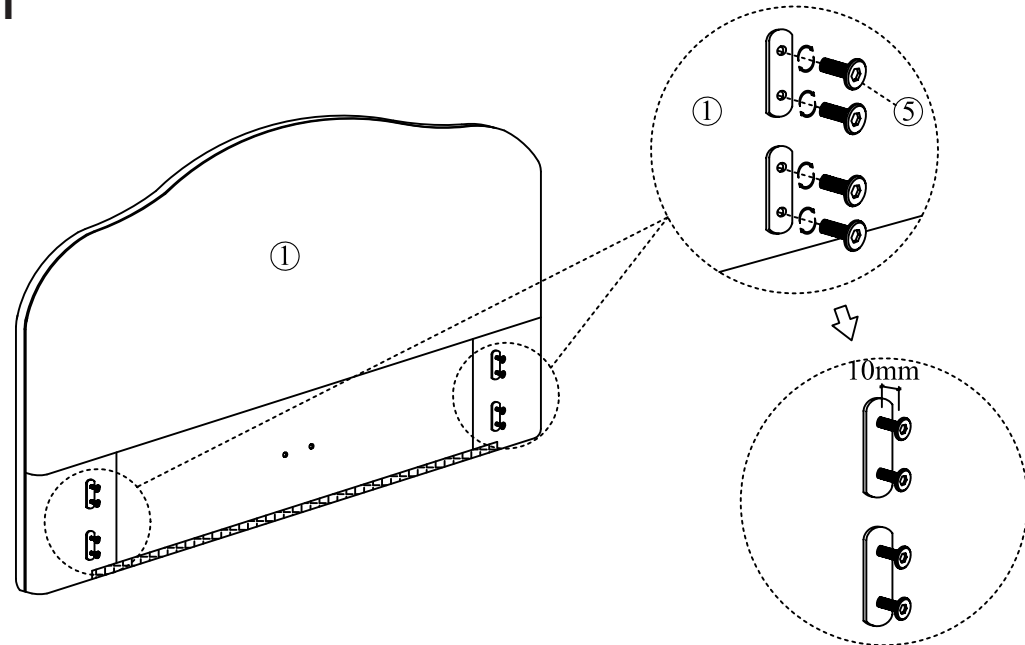


THANK YOU FOR YOUR PURCHASE!

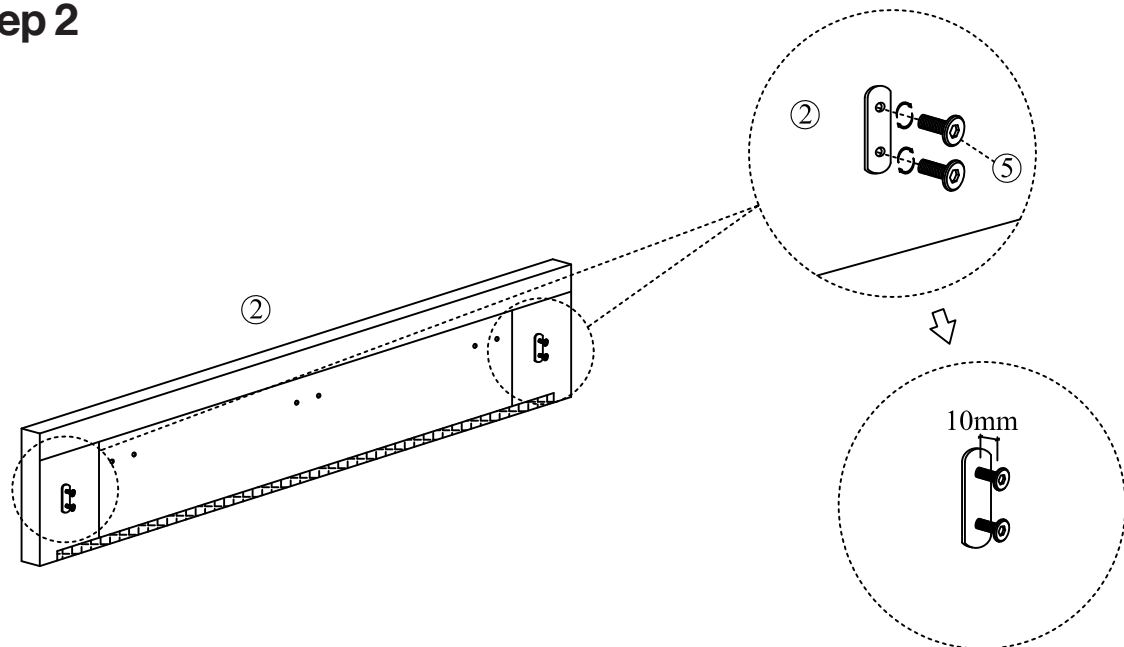
Parts and Hardware



Step 1



Step 2

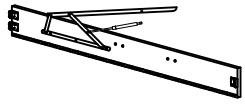


Notes

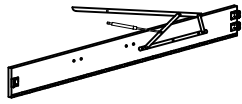
Thank you for purchasing this quality product!
Be sure to check all packing material carefully
for small part that may have come loose inside
the carton during shipping.

CAUTION: The item is heavy, assembly
should be performed by two people.

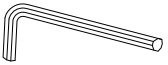
Parts and Hardware



③ Right Side Rail
=1pc

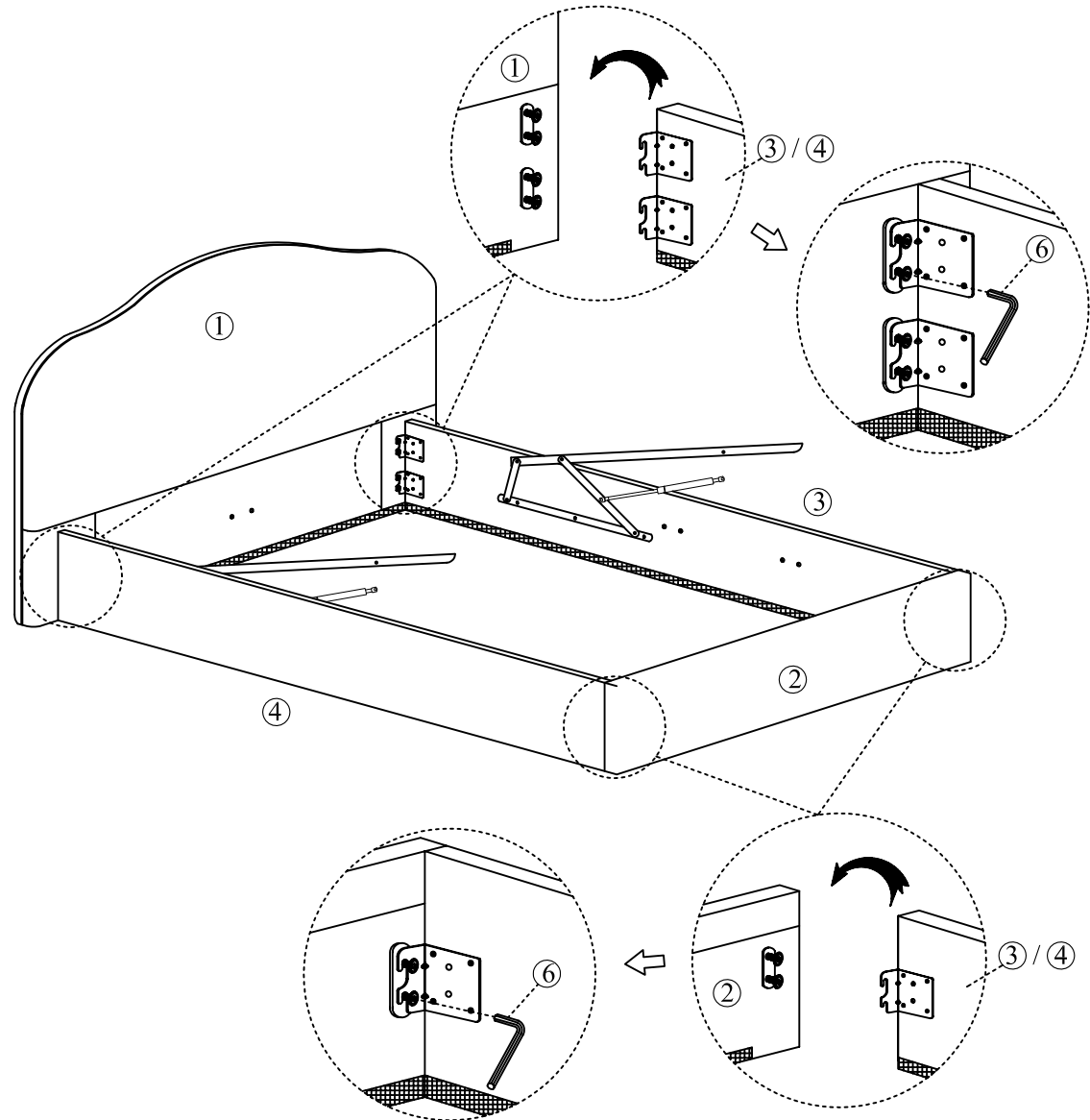


④ Left Side Rail
=1pc



(M5)
⑥ Allen Key=1pc

Step 3


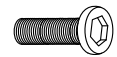
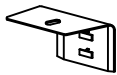
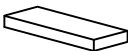



Notes

Thank you for purchasing this quality product!
Be sure to check all packing material carefully
for small part that may have come loose inside
the carton during shipping.

CAUTION: The item is heavy, assembly
should be performed by two people.

Parts and Hardware

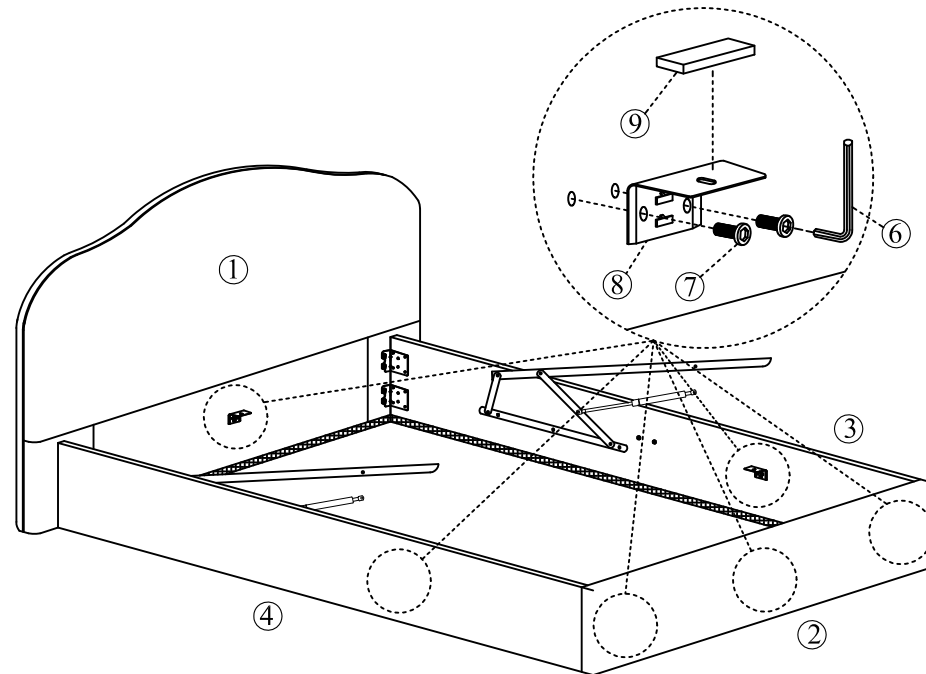
 ⑥ Allen Key=1pc (M5)	 ⑦ Bolts(M8*25mm) =12pcs
 ⑧ Bracket=6pcs	 ⑨ Stick Felts=6pcs
 ⑩ Baseboards=1pc	

Notes

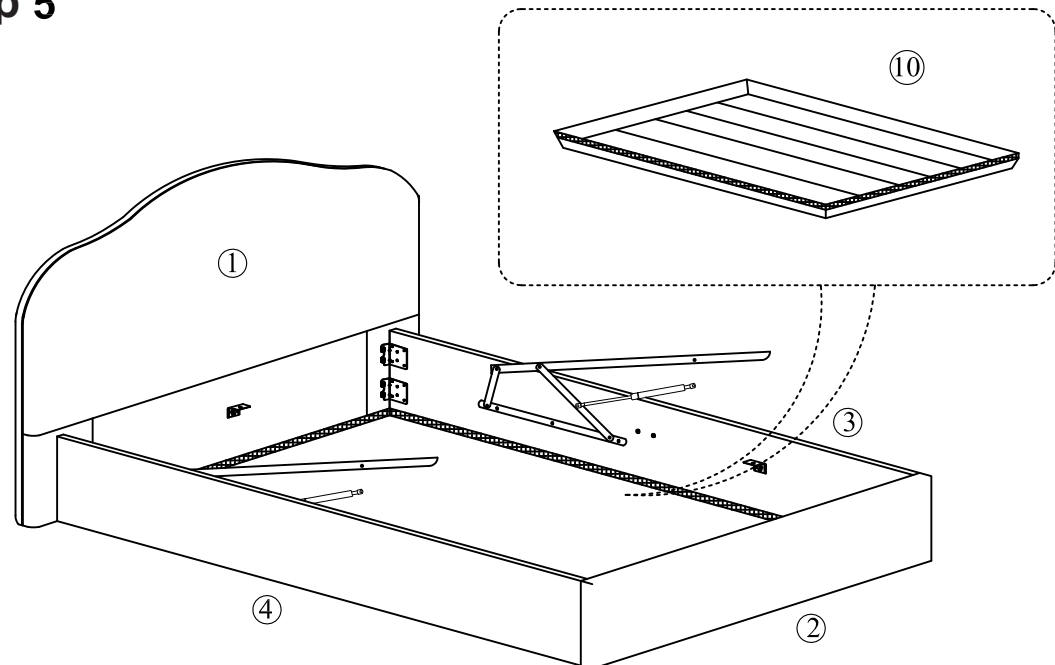
Thank you for purchasing this quality product!
Be sure to check all packing material carefully
for small part that may have come loose inside
the carton during shipping.

CAUTION: The item is heavy, assembly
should be performed by two people.

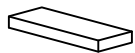
Step 4



Step 5



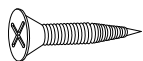
Parts and Hardware



⑨ Stick Felts=2pcs



⑪ Metal cross rail
=1pc



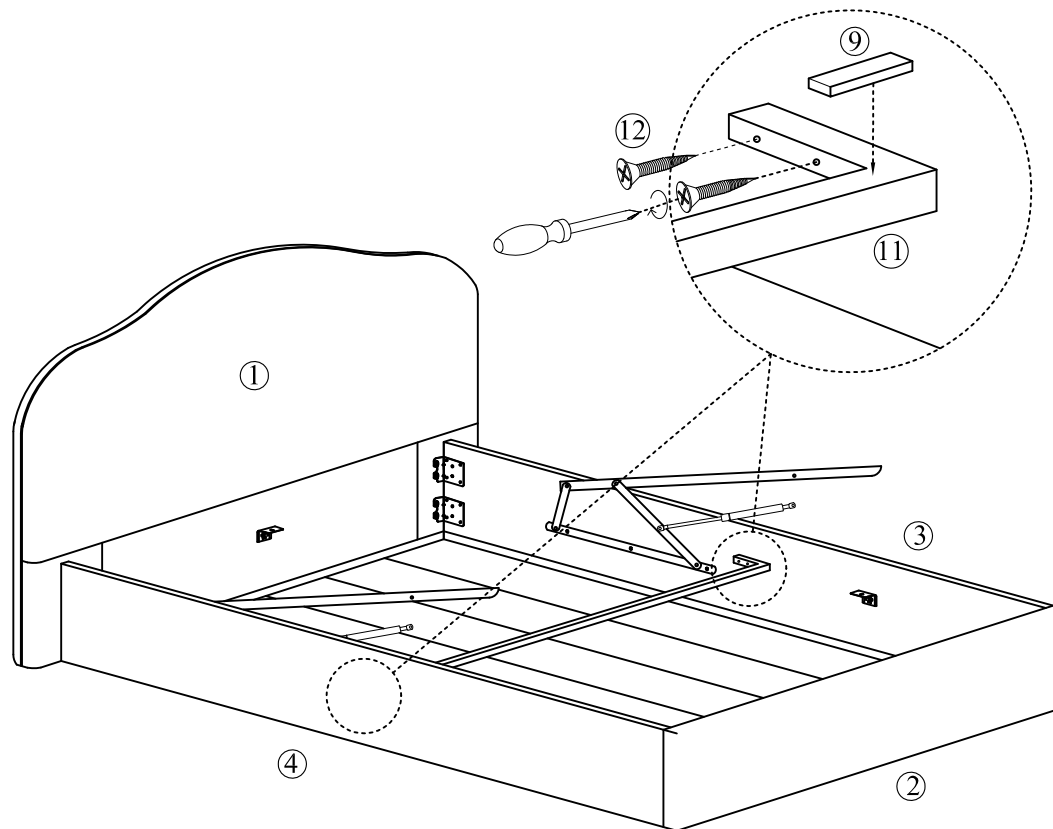
⑫ Screws(M5*40mm)
=4pcs

Notes

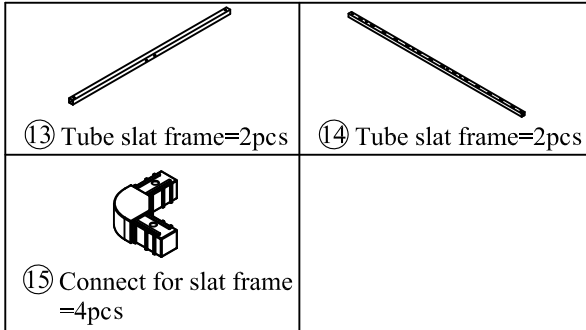
Thank you for purchasing this quality product!
Be sure to check all packing material carefully
for small part that may have come loose inside
the carton during shipping.

CAUTION: The item is heavy, assembly
should be performed by two people.

Step 6



Parts and Hardware

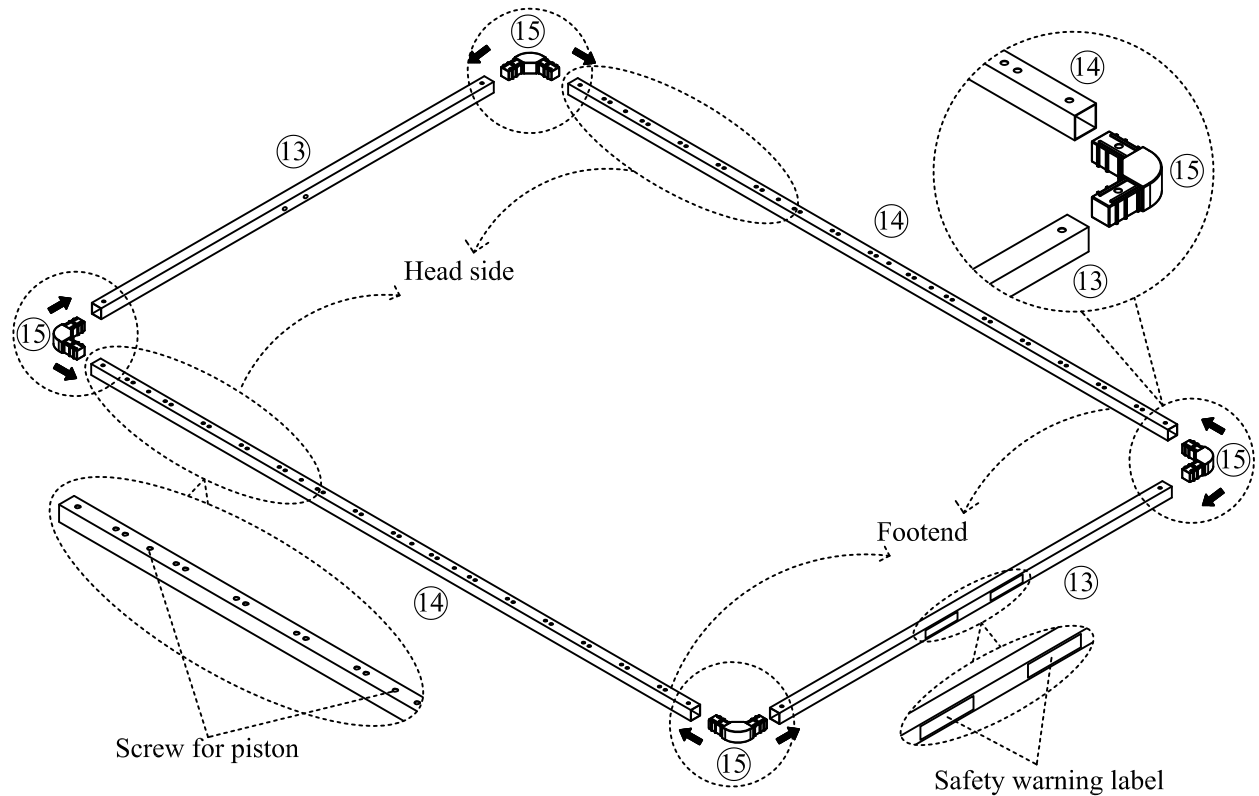


Notes

Thank you for purchasing this quality product!
Be sure to check all packing material carefully for small part that may have come loose inside the carton during shipping.

CAUTION: The item is heavy, assembly should be performed by two people.

Step 7



Note: The tube ⑬ with safety warning label should be assembled footend.

Parts and Hardware



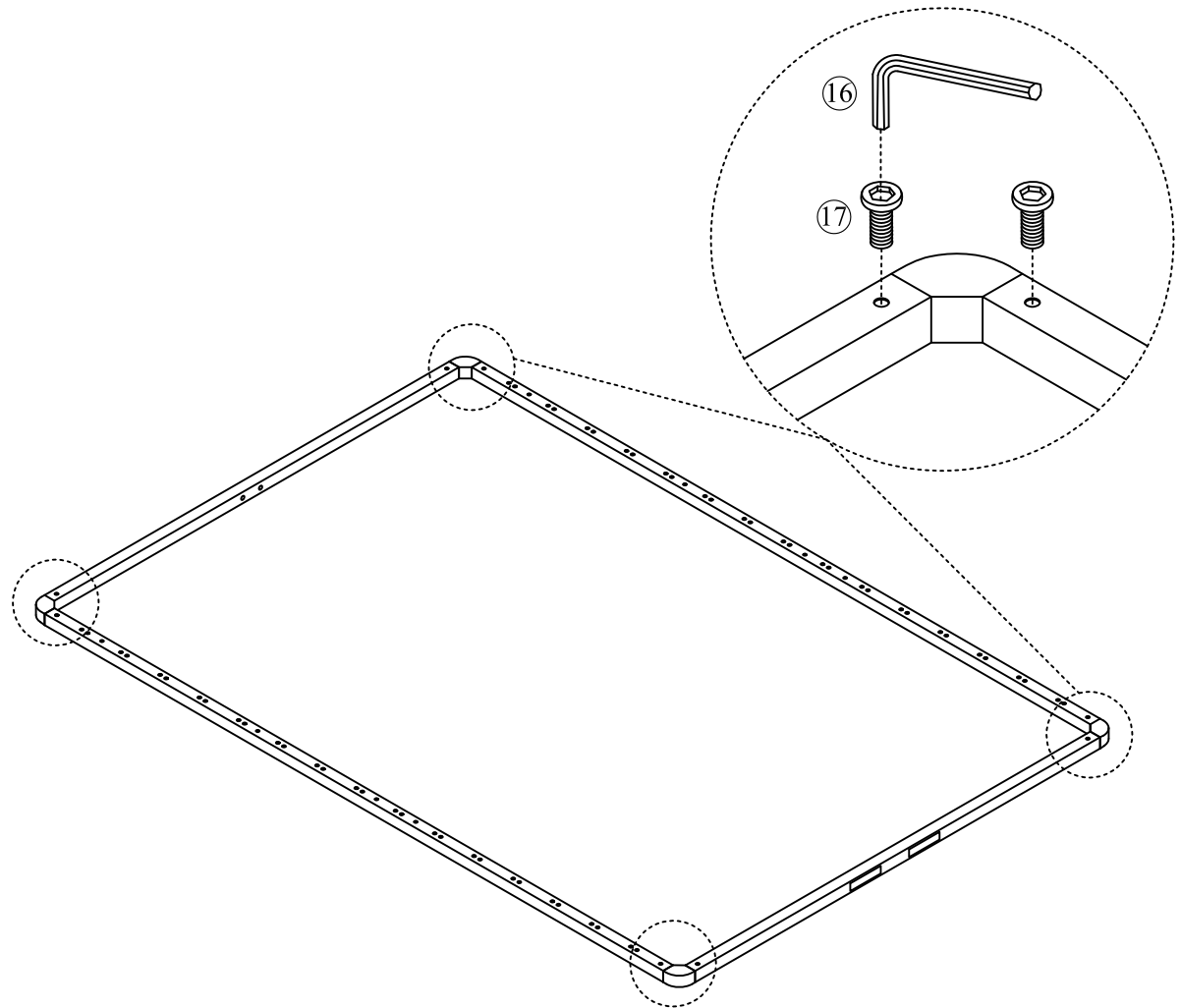
(M4)

①⑥ Allen Key=1pc



①⑦ Bolts(M6*10mm)
=8pcs

Step 8


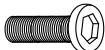
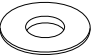



Notes

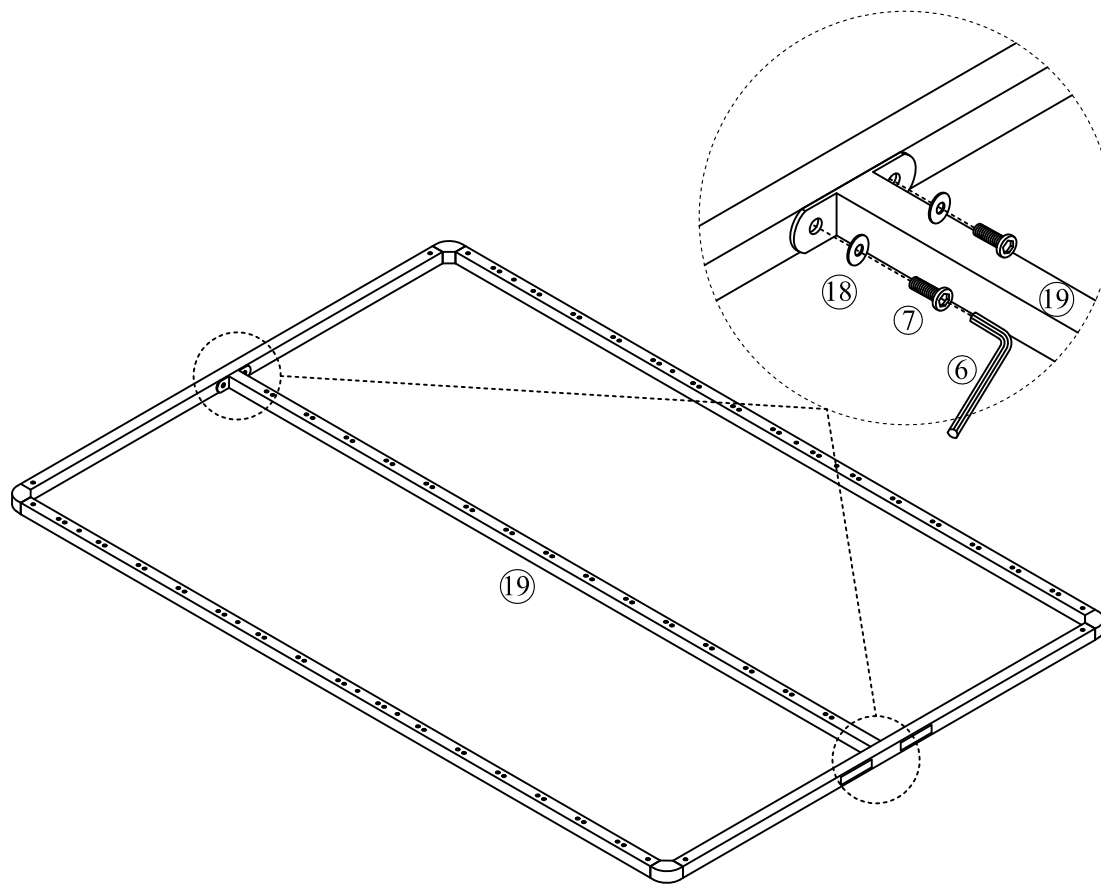
Thank you for purchasing this quality product!
Be sure to check all packing material carefully
for small part that may have come loose inside
the carton during shipping.

CAUTION: The item is heavy, assembly
should be performed by two people.

Parts and Hardware

 ⑥ Allen Key=(M5)=1pc	 ⑦ Bolts(M8*25mm)=4pcs
 ⑧ Washers (M8)=4pcs	 ⑨ Tube slat frame=1pc

Step 9






Notes

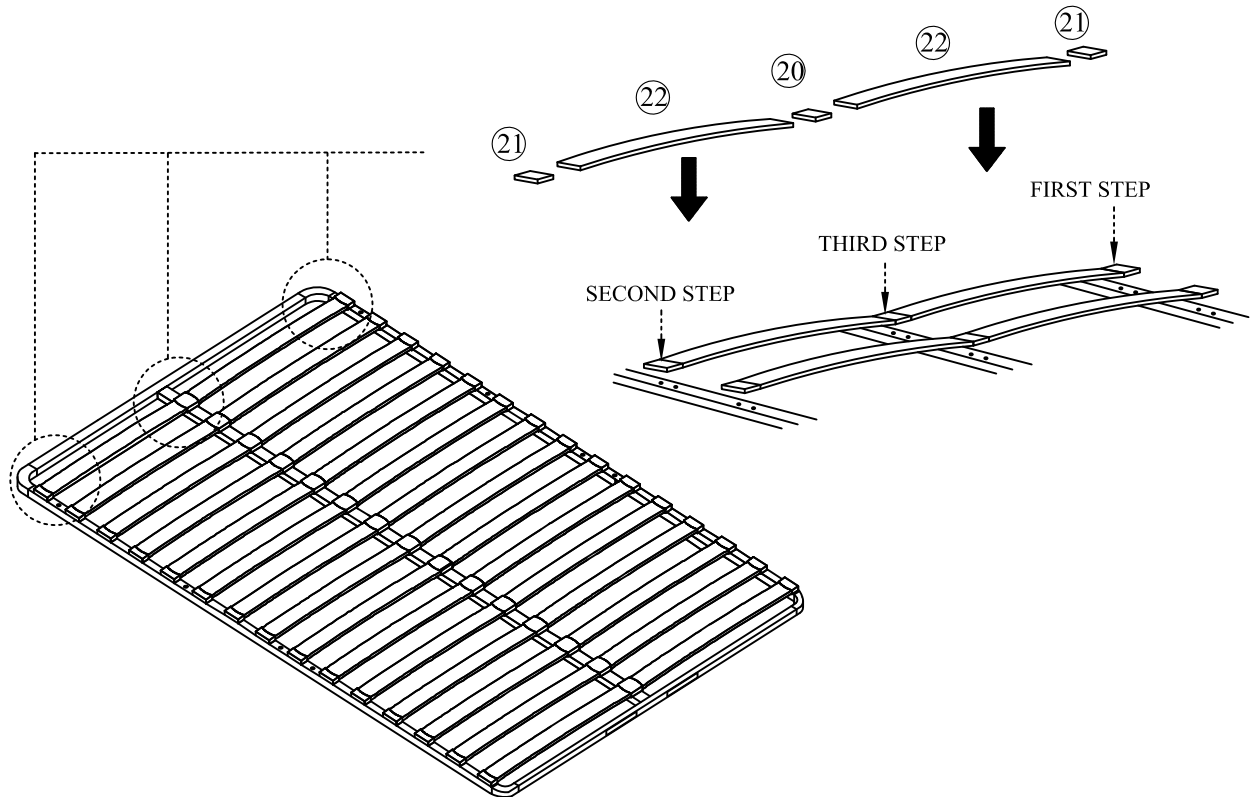
Thank you for purchasing this quality product!
Be sure to check all packing material carefully
for small part that may have come loose inside
the carton during shipping.

CAUTION: The item is heavy, assembly
should be performed by two people.

Parts and Hardware

 ⑩ Wid plastic cap (Big) =14pcs	 ⑪ End plastic cap (Small) =28pcs
 ⑫ Slats=28pcs	

Step 10

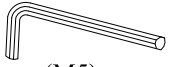
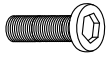
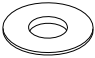
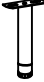


Notes

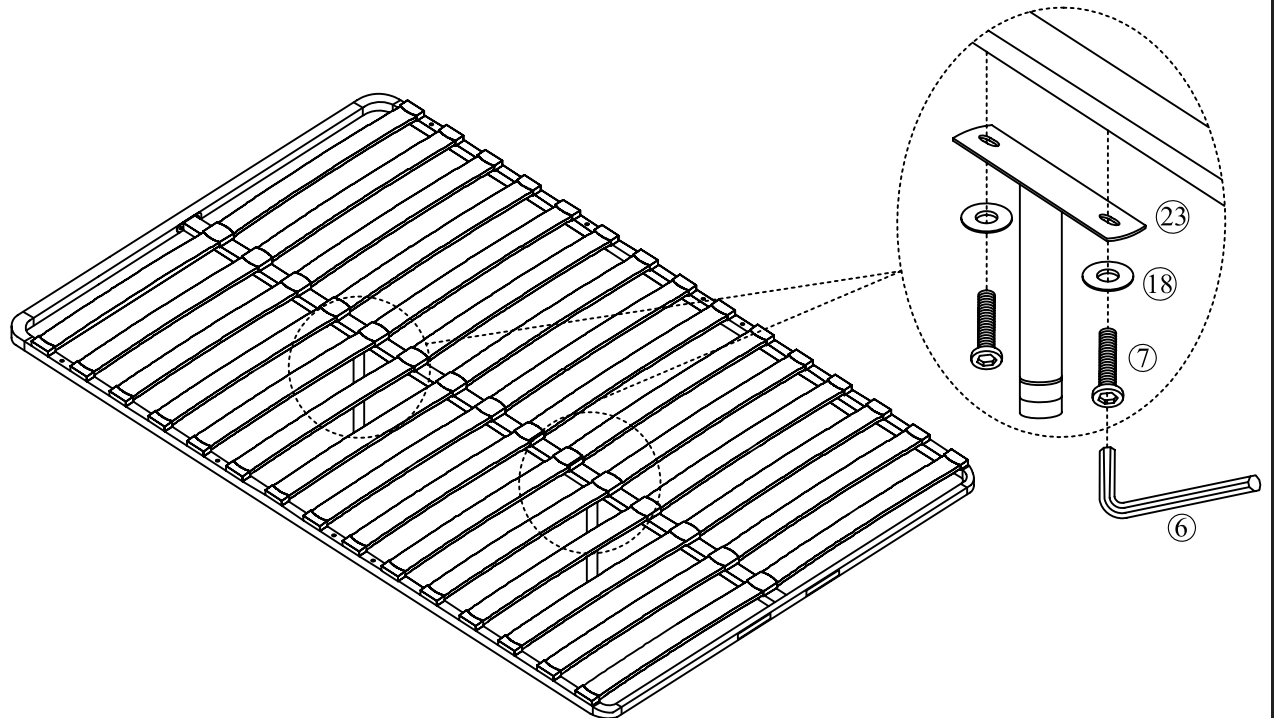
Thank you for purchasing this quality product!
Be sure to check all packing material carefully
for small part that may have come loose inside
the carton during shipping.

CAUTION: The item is heavy, assembly
should be performed by two people.

Parts and Hardware

 ⑥ Allen Key=1pc	 ⑦ Bolts(M8*25mm) =4pcs
 ⑱ Washers (M8)=4pcs	 ⑳ Metal Support legs =2pcs

Step 11



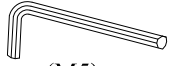
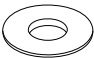



Notes

Thank you for purchasing this quality product!
Be sure to check all packing material carefully
for small part that may have come loose inside
the carton during shipping.

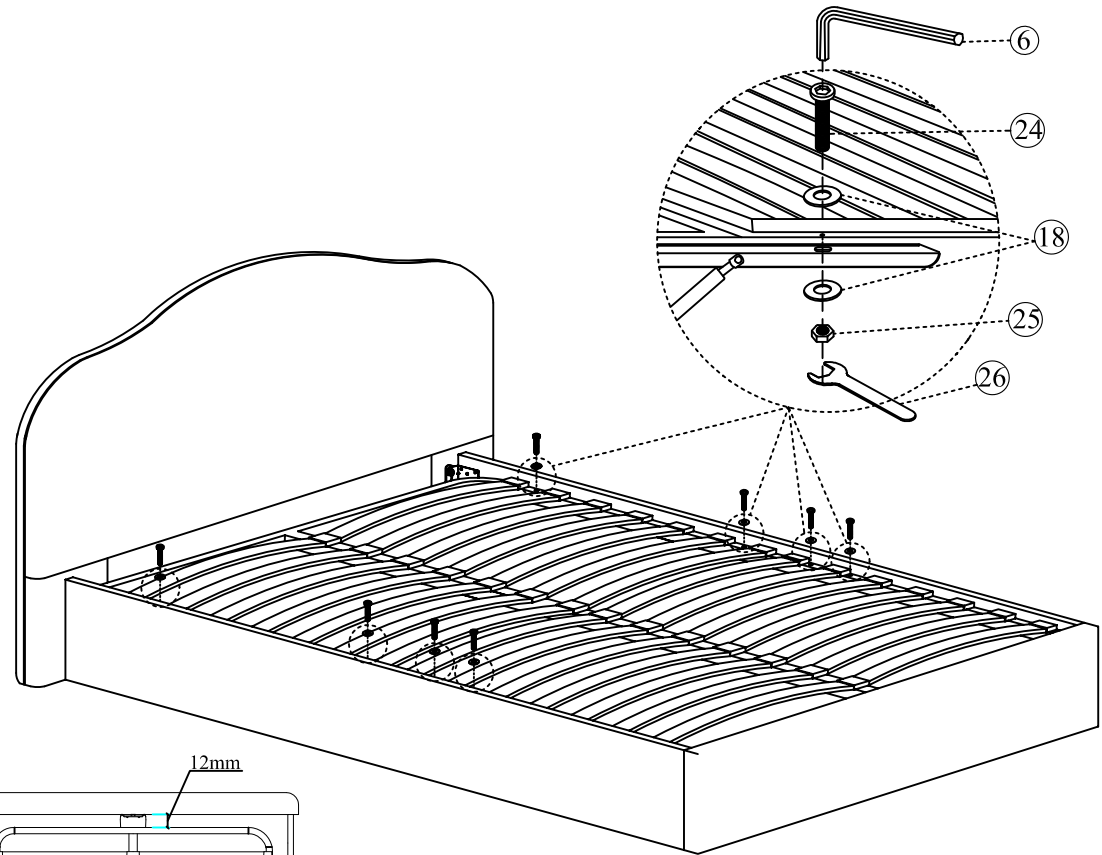
CAUTION: The item is heavy, assembly
should be performed by two people.

The centre support legs should be 5-10mm off the ground.

Parts and Hardware

 (M5) ⑥ Allen Key=1pc	 ⑱ Washers (M8)=16pcs
 ⑳ Bolts(M8*45mm) =8pcs	 ㉑ Nuts (M8)=8pcs
 ㉒ Spanner=1pc	

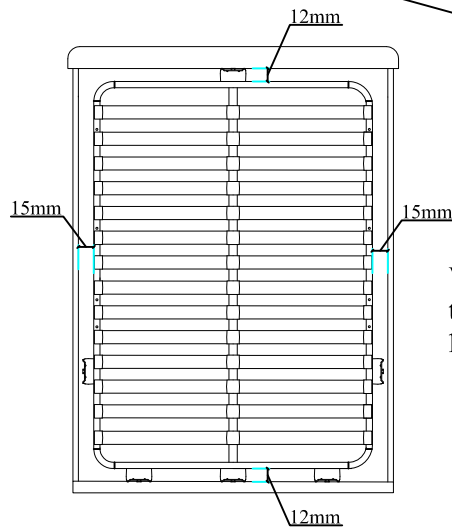
Step 12



Notes

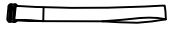
Thank you for purchasing this quality product!
Be sure to check all packing material carefully
for small part that may have come loose inside
the carton during shipping.

CAUTION: The item is heavy, assembly
should be performed by two people.



We suggest to assemble the slat frame in the middle position of
the bed and try to keep 15mm distance on both side rails and keep
12mm distance on headboard and footboard, need to be equidistant.

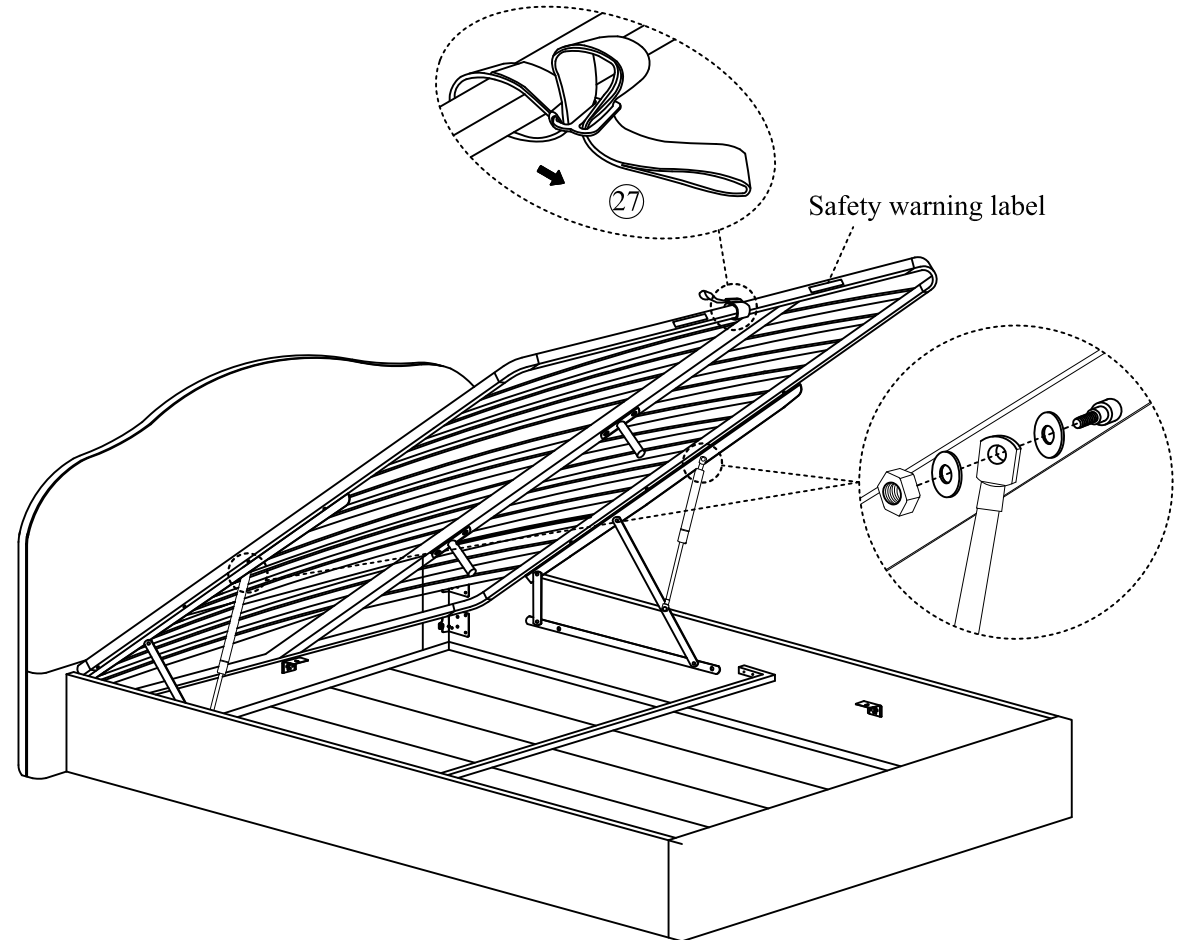
Parts and Hardware



②⑦ Belt=1pc

Step 13

NOTES: It is recommended that the BELT be placed in the middle position, as shown in the below image.

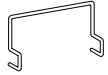


Notes

Thank you for purchasing this quality product! Be sure to check all packing material carefully for small part that may have come loose inside the carton during shipping.

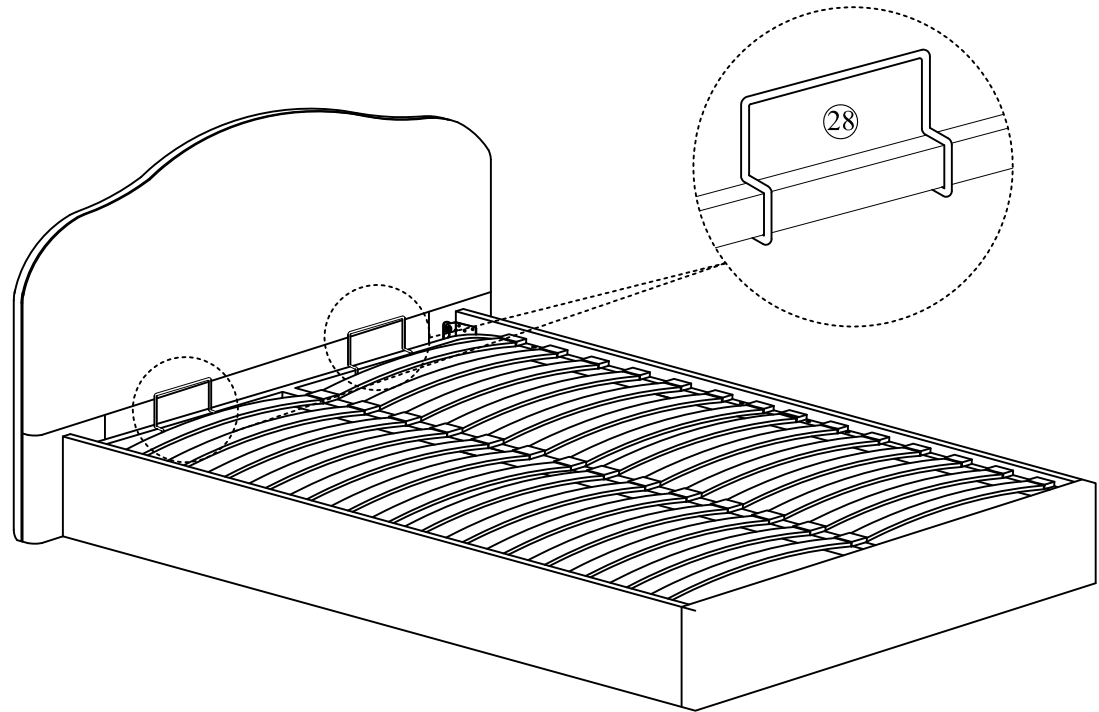
CAUTION: The item is heavy, assembly should be performed by two people.

Parts and Hardware



②⑧ Mattress holder=2pcs

Step 14



Notes

Thank you for purchasing this quality product!
Be sure to check all packing material carefully
for small part that may have come loose inside
the carton during shipping.

CAUTION: The item is heavy, assembly
should be performed by two people.

Warning: When you need to move the bed please lift it, do not drag it.