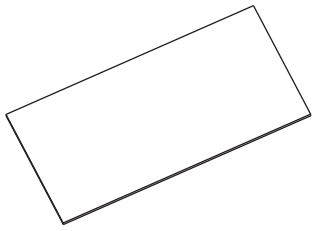
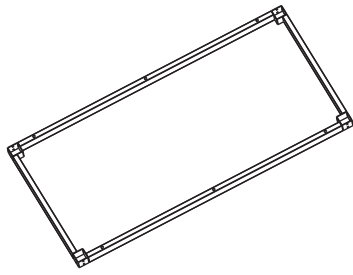


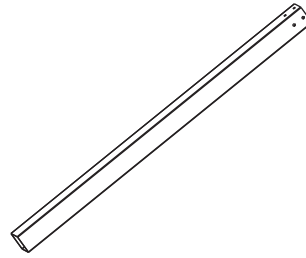
① X1



② X1



③ X4



CX6



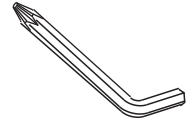
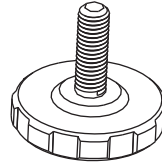
M6X50

DX16



M8X12

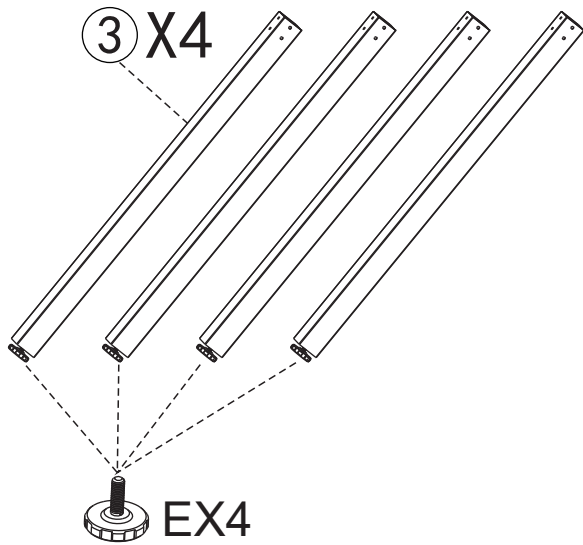
EX4



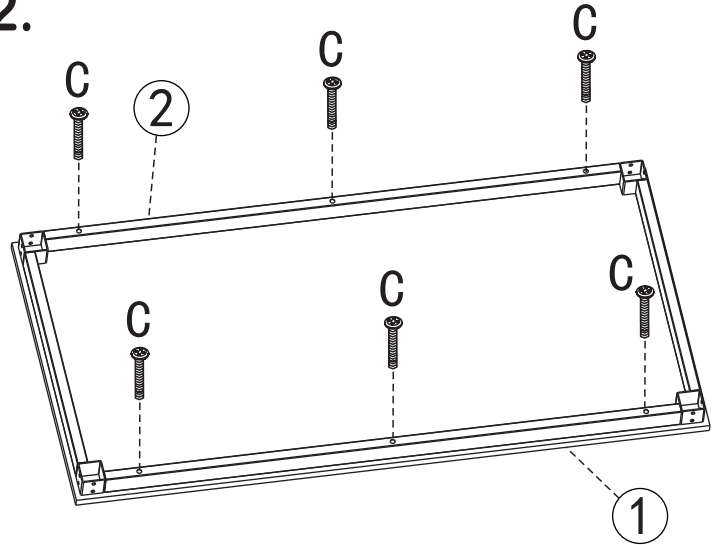
### Installation tips:

- 1, Align the fittings and accessories when installing the frame, then tighten the screws.
- 2, When installing the board, first screw all the screw holes and tighten them.

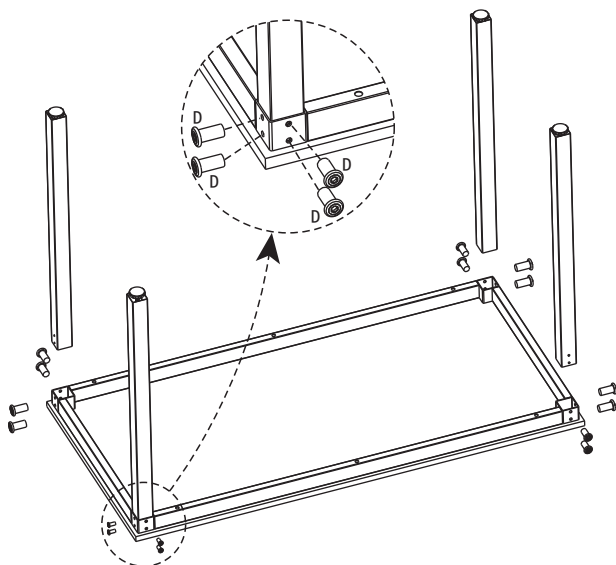
1.



2.



3.



4.

