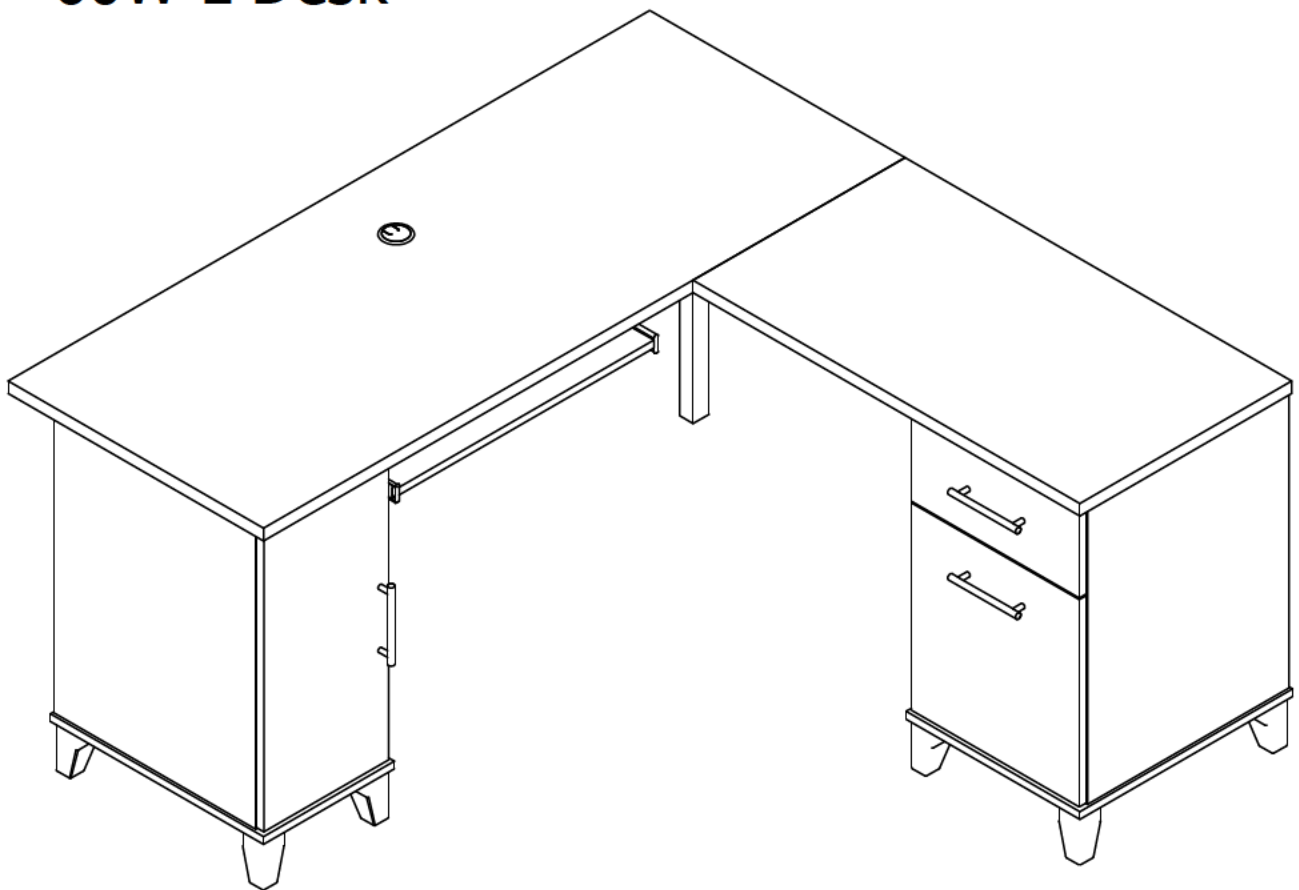


# Assembly Guide

60W L Desk



# Get Ready to Assemble

## For best results, keep these tips in mind:

- ① We know you want to finish this assembly as quickly as possible, but trust us: you'll have a better experience if you take it one step at a time.
- ② Give yourself some room to work near where you want the fully assembled product.
- ③ If your floor isn't carpeted, assemble this product on the empty carton to avoid scratching.
- ④ Do you have a friend who owes you a favor? Some steps may go a little easier with a second set of hands.

### DOs

- ✔ Use a #2 Phillips head screwdriver (or other handheld tools as indicated)
- ✔ Wear safety glasses at all times during assembly
- ✔ Carefully follow the instructions in this guide and complete all steps in order
- ✔ Give us a call if you're having trouble with a particularly tricky step

### DON'Ts

- ✘ We know power tools are quick and easy, but you shouldn't use them when assembling this product (unless otherwise specified)
- ✘ Never move your furniture with items inside or resting on the surface
- ✘ Do not attempt to use this product before all steps have been completed

# IMPORTANT SAFETY INFORMATION



## PLEASE READ WARNINGS

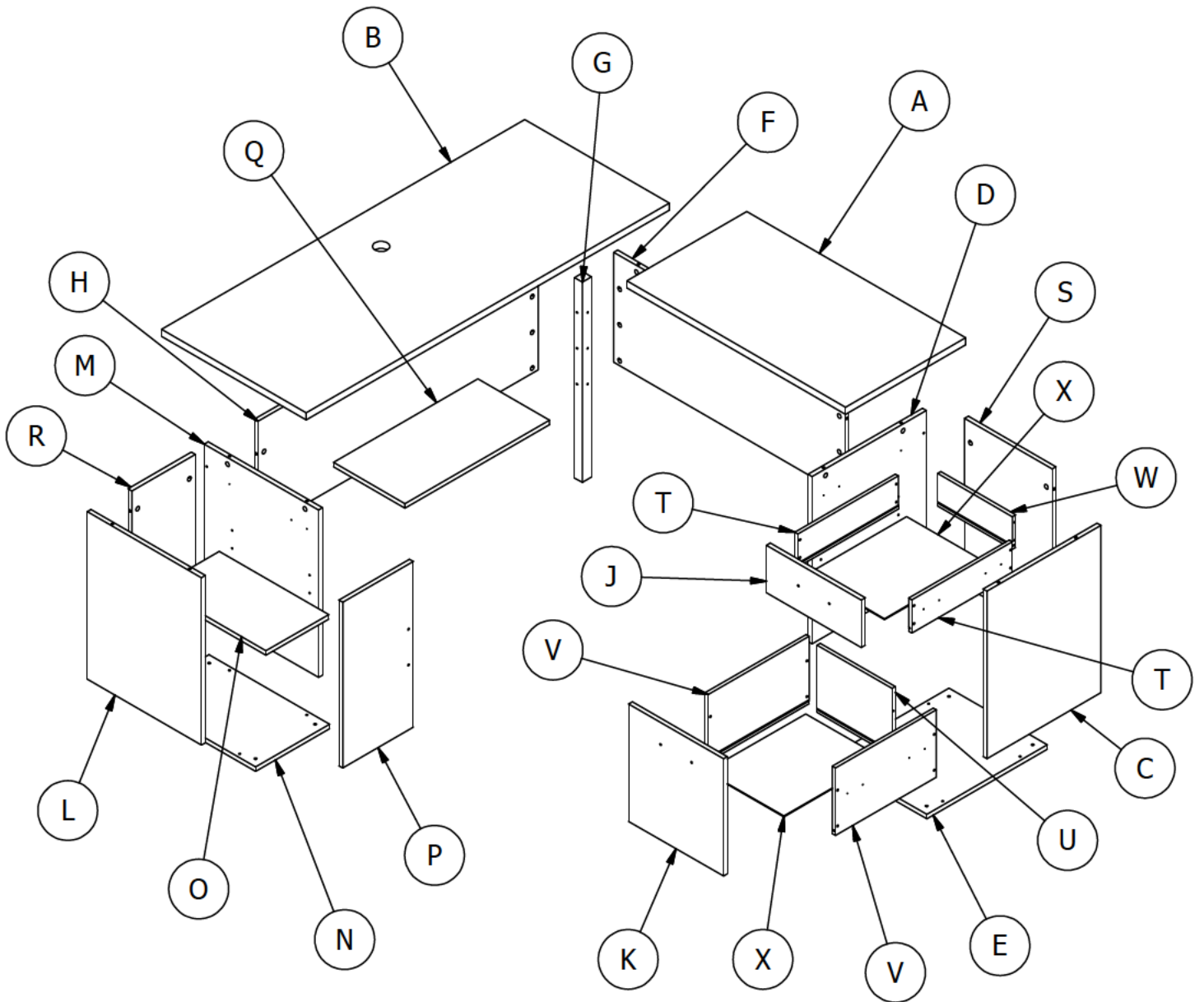
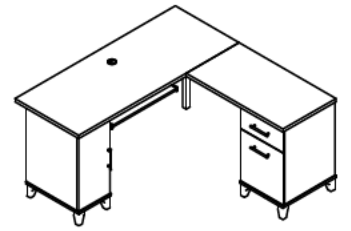
Improper use can cause safety hazards, or damage to your furniture and household items.

Warning	Do	Don't	Why it's important
<b>Serious injury may occur.</b>	<ul style="list-style-type: none"><li>Assemble following all instructions using all indicated parts and hardware provided.</li></ul>	<ul style="list-style-type: none"><li>Do not move unit when loaded.</li><li>Do not load with a television or other heavy equipment.</li><li>Do not exceed the maximum load limits stated in the instructions.</li></ul>	Improper assembly, use or loading can lead to product instability, tip-over or collapse.

Advertencia	Hacer	No	Por qué es importante
<b>Se pueden producir lesiones graves.</b>	<ul style="list-style-type: none"><li>Ensamble siguiendo todas las instrucciones utilizando todas las piezas y ferretería indicados provistos.</li></ul>	<ul style="list-style-type: none"><li>No mueva la unidad cuando esté cargada.</li><li>No cargue con un televisor u otro equipo pesado.</li><li>No exceda los límites máximos de carga establecidos en las instrucciones.</li></ul>	El ensamblaje, uso o carga inadecuados pueden provocar inestabilidad del producto, vuelco o colapso.

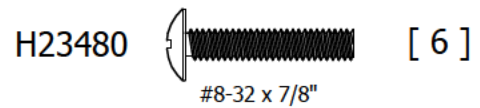
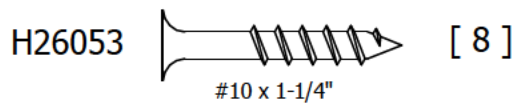
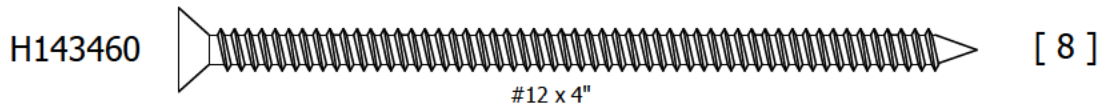
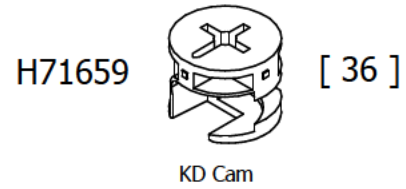
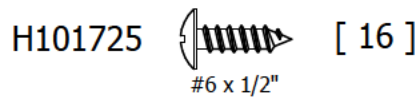
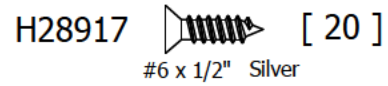
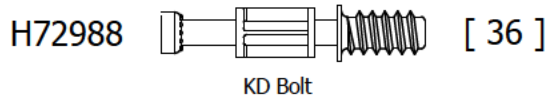
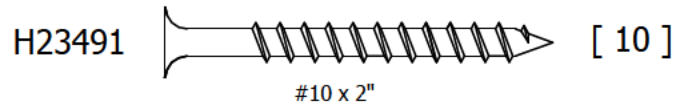
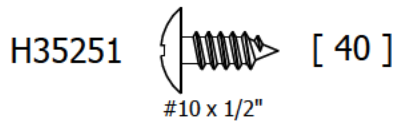
Avertissement	Faire	Ne le fais pas	Pourquoi c'est important
<b>Des blessures graves peuvent survenir.</b>	<ul style="list-style-type: none"><li>Assemblez en suivant toutes les instructions en utilisant toutes les pièces et le matériel indiqués fournis.</li></ul>	<ul style="list-style-type: none"><li>Ne déplacez pas l'unité lorsqu'elle est chargée.</li><li>Ne chargez pas avec un téléviseur ou un autre équipement lourd.</li><li>Ne dépassez pas les limites de charge maximale indiquées dans les instructions.</li></ul>	Un assemblage, une utilisation ou un chargement incorrects peuvent entraîner une instabilité du produit, un renversement ou un effondrement.

# Get to know your Boards



# Get to know your Fasteners

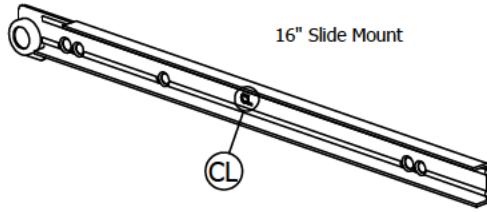
Fasteners are shown actual size.



# Get to know your Hardware

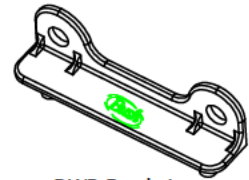
Hardware not to scale.

Q89897



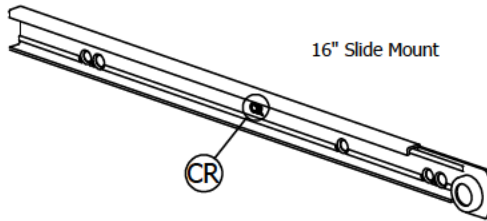
[ 1 ]

H100445



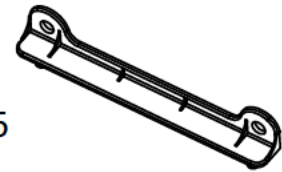
[ 2 ]

Q89897



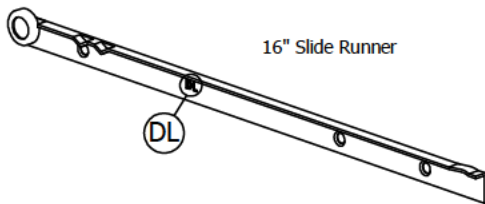
[ 1 ]

H100446



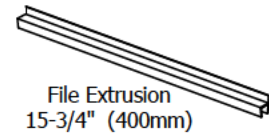
[ 2 ]

Q89897



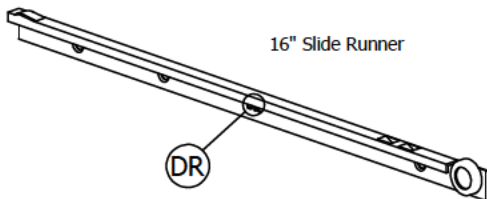
[ 1 ]

H162488



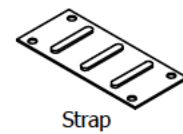
[ 2 ]

Q89897



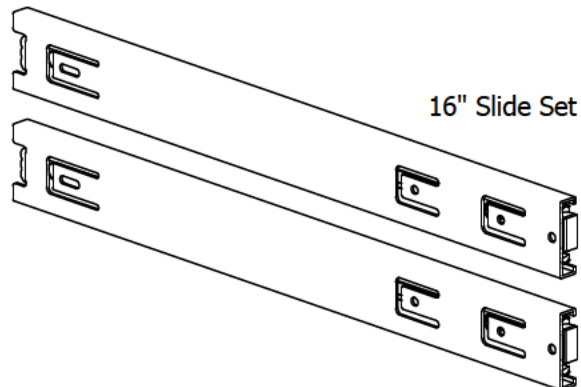
[ 1 ]

H39922



[ 2 ]

Q162813

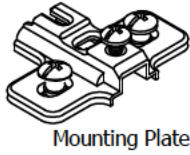


[ 1 ]

# Get to know your Hardware

Hardware not to scale.

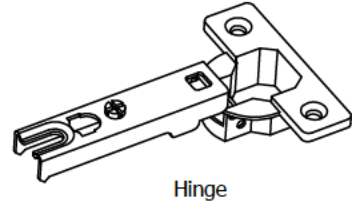
H126364



Mounting Plate

[ 2 ]

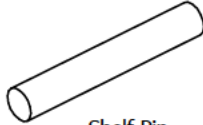
H126359



Hinge

[ 2 ]

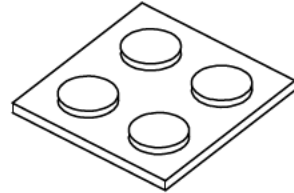
H23604



Shelf Pin

[ 4 ]

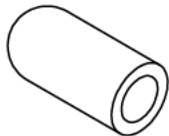
H77351



Bumper (4) per pack

[ 2 ]

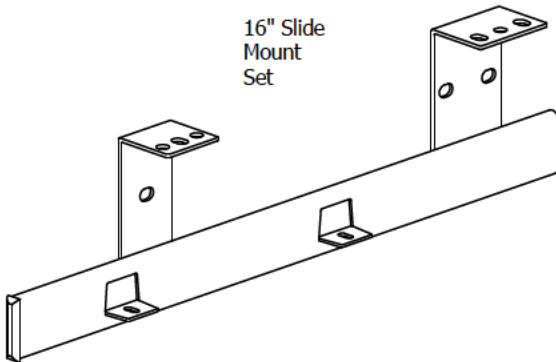
H126396



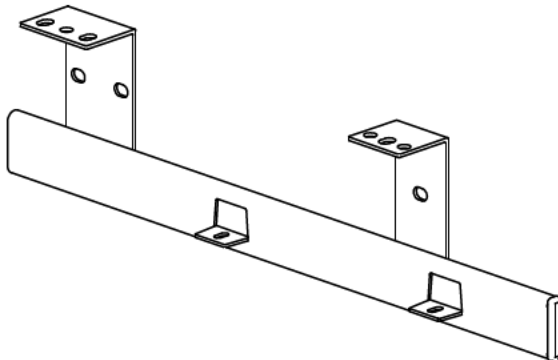
Shelf Pin Sleeve

[ 4 ]

16" Slide  
Mount  
Set



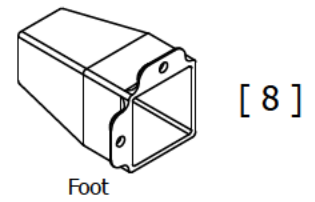
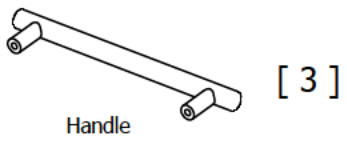
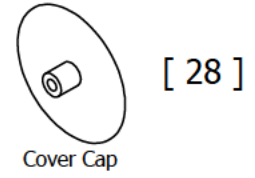
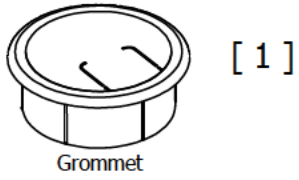
Q92805



[ 1 ]

# Get to know your Hardware

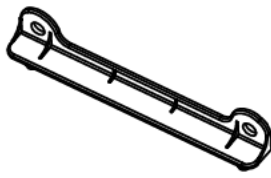
Hardware not to scale.



# STEP 1

## Prepare Drawer Fronts

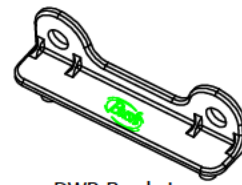
H100446



[ 2 ]

Drawer Bracket

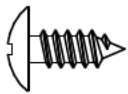
H100445



[ 2 ]

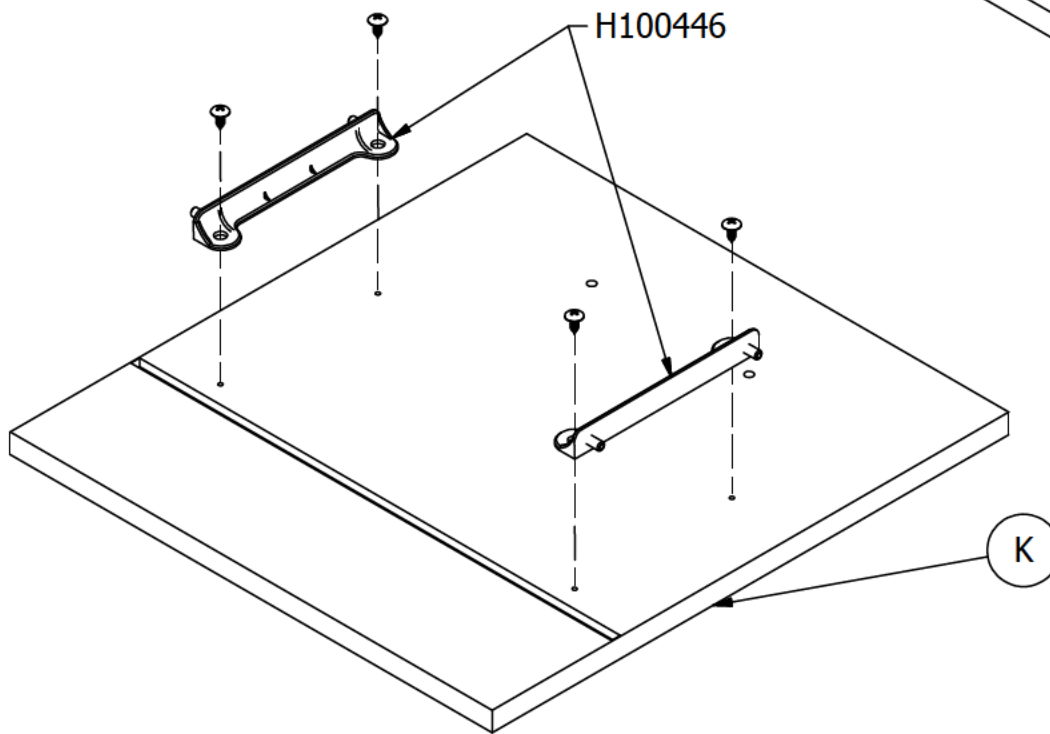
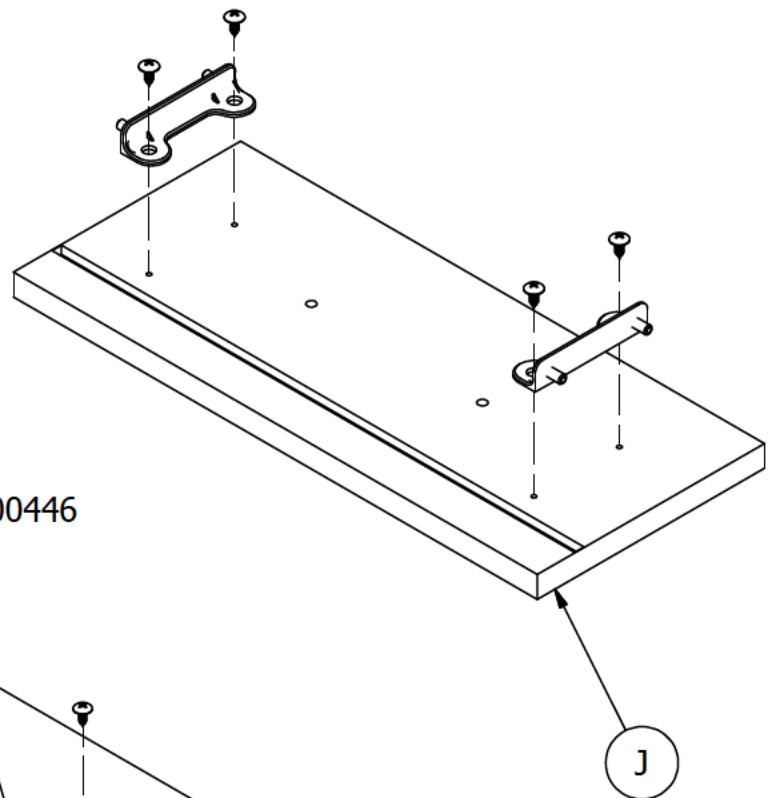
DWR Bracket

H35251




[ 8 ]


#10 x 1/2"

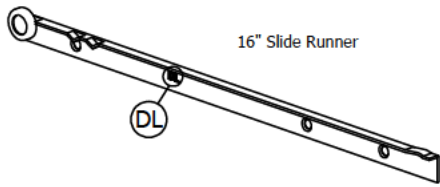
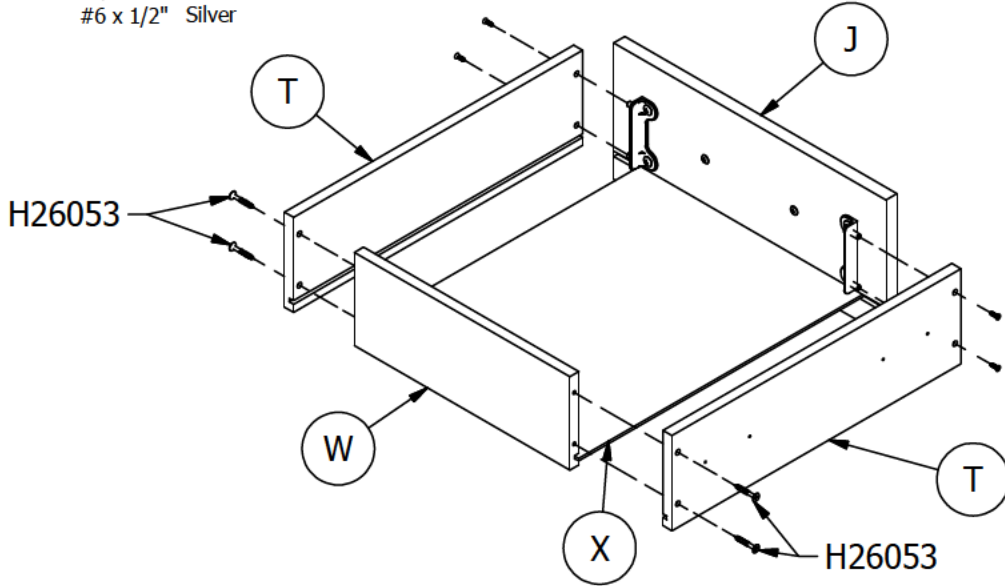


# STEP 2

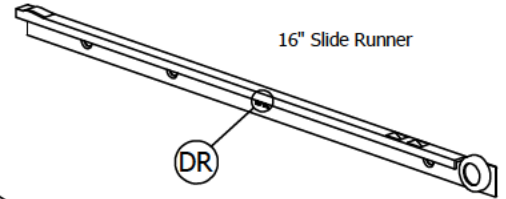
# Assemble Drawers

H28917  [ 4 ]  
#6 x 1/2" Silver


H26053  [ 4 ]  
#10 x 1-1/4"

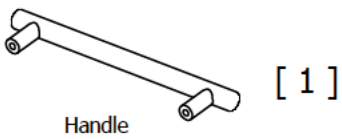


16" Slide Runner




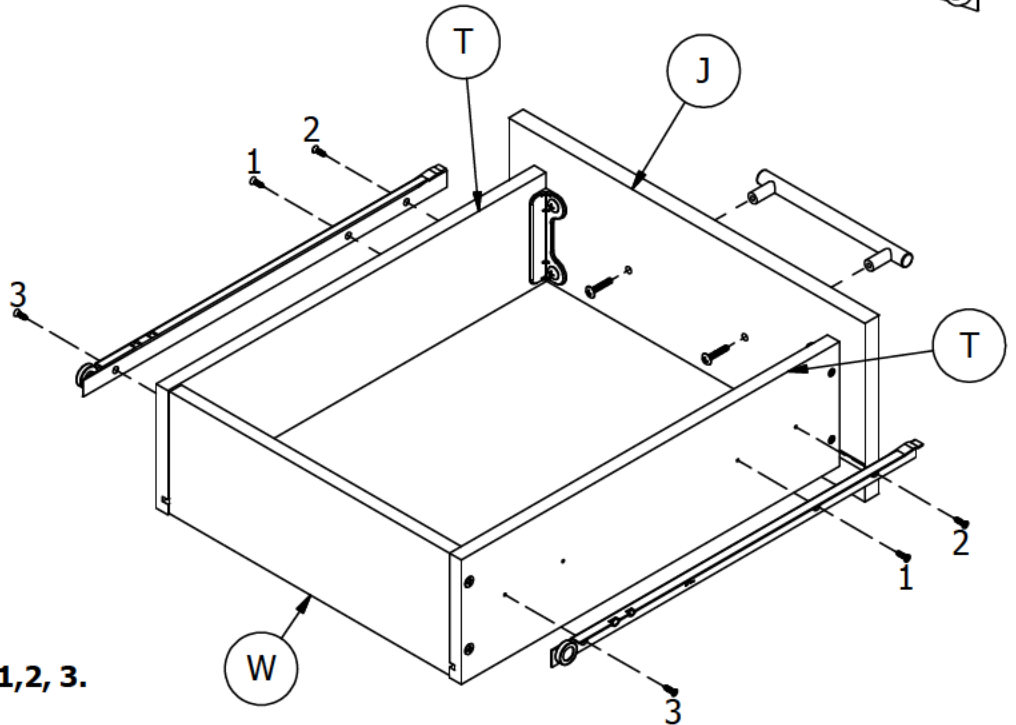
16" Slide Runner

H23480  [ 2 ]  
#8-32 x 7/8"



Handle

H28917  [ 6 ]  
#6 x 1/2" Silver



**Tighten screws in order shown 1,2,3.**  
Atornille en orden indicado 1,2,3.  
Serrer les vis dans la façon montrée 1,2,3.

# STEP 3

# Separate Slide

Scan QR Code to Watch Video on:

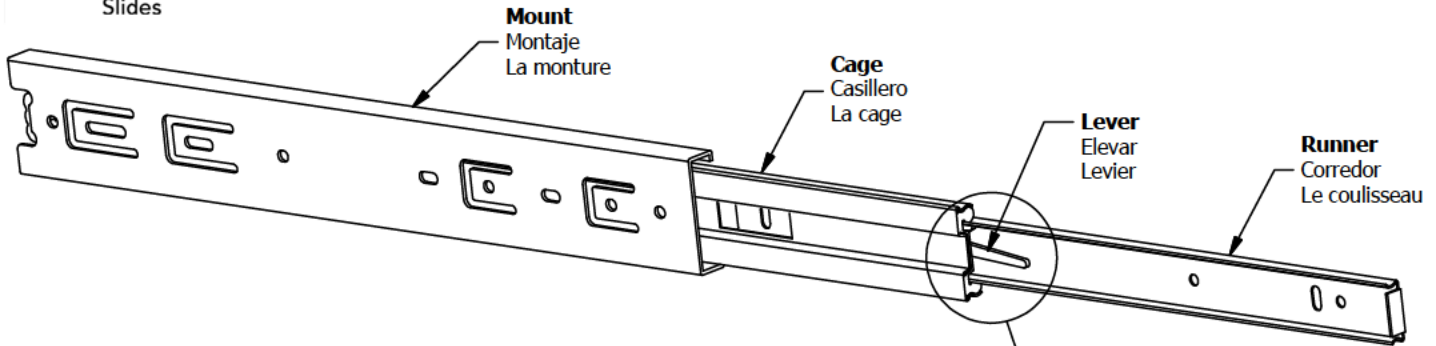


How to Separate and Install Drawer Slides

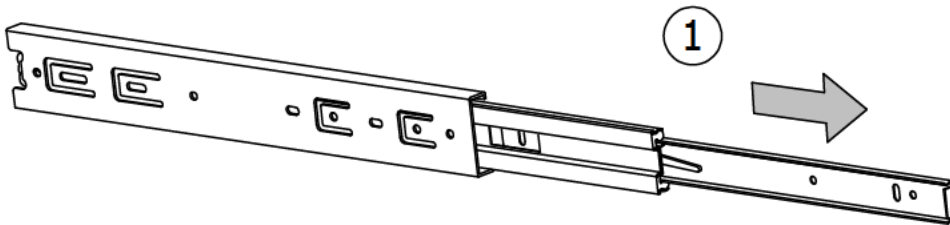
**Slides Must Be Separated Before Assembly.  
After Separated, Set Aside Until Needed for Assembly.**

Las diapositivas deben separarse antes del montaje.  
Después de la separación, déjelo a un lado hasta que sea necesario.

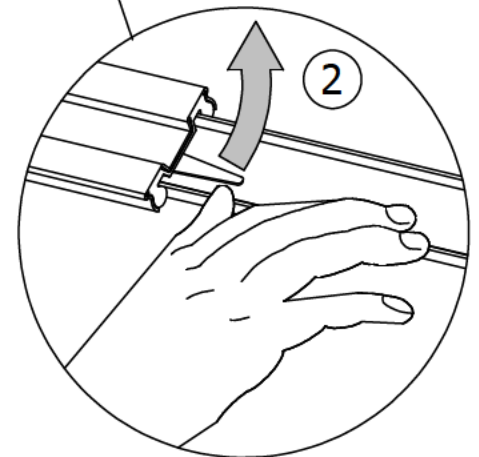
Les glissières doivent être séparées avant l'assemblage.  
Après la séparation, mettez de côté jusqu'au moment de l'assemblage.



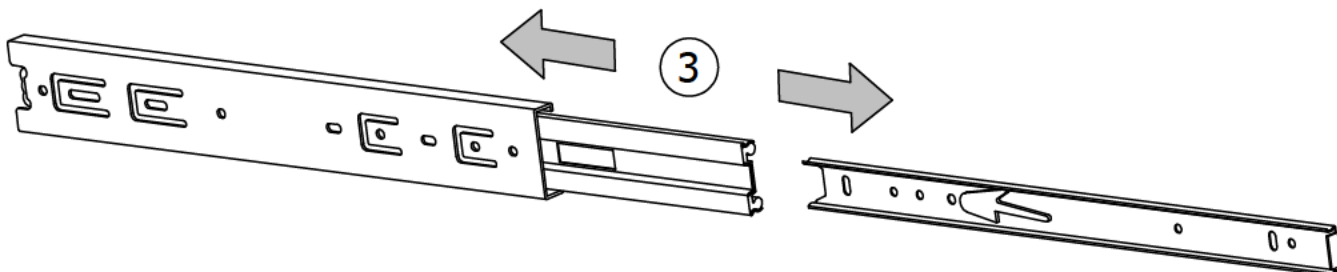
**STEP 1: Extend Slide**  
Extender la diapositiva  
Extendre la diapositive



**STEP 2: Push Lever UP**  
Empujar hacia arriba  
Lever le levier



**STEP 3: Remove Runner**  
Quitar el corredor  
Enlever le coureur

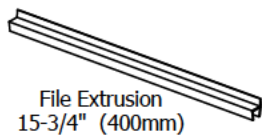




# STEP 5

# Build Drawers

H162488

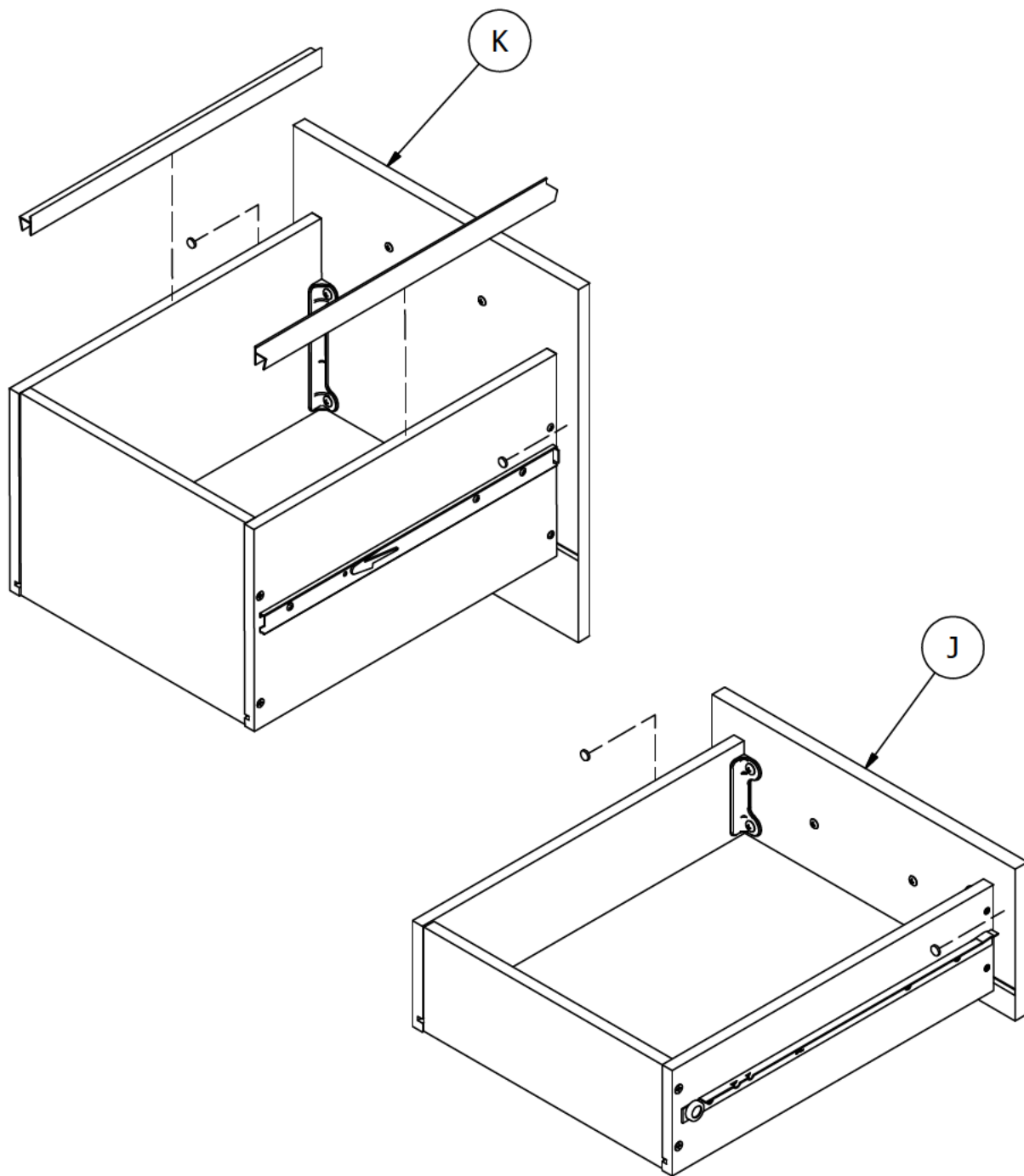


[ 2 ]

H77351



[ 4 ]

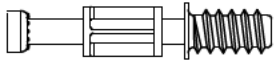




# STEP 7

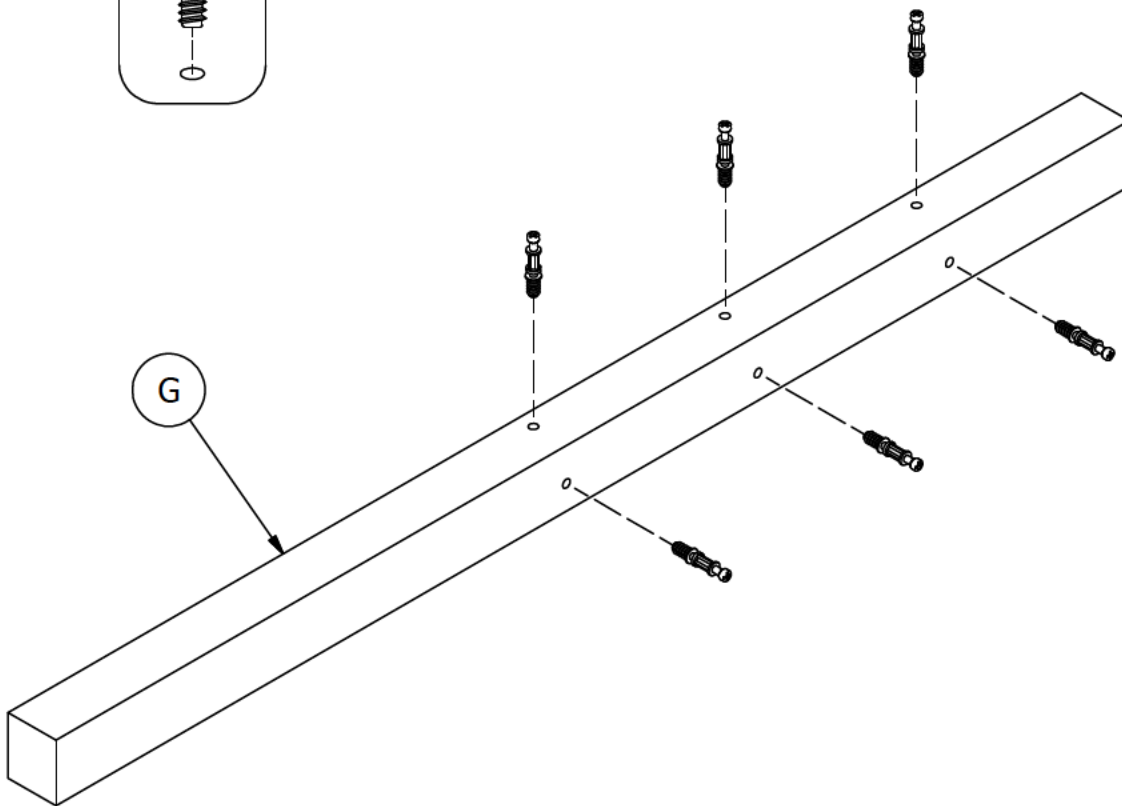
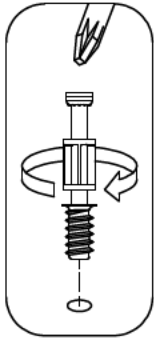
# Prepare Rear Leg

H72988



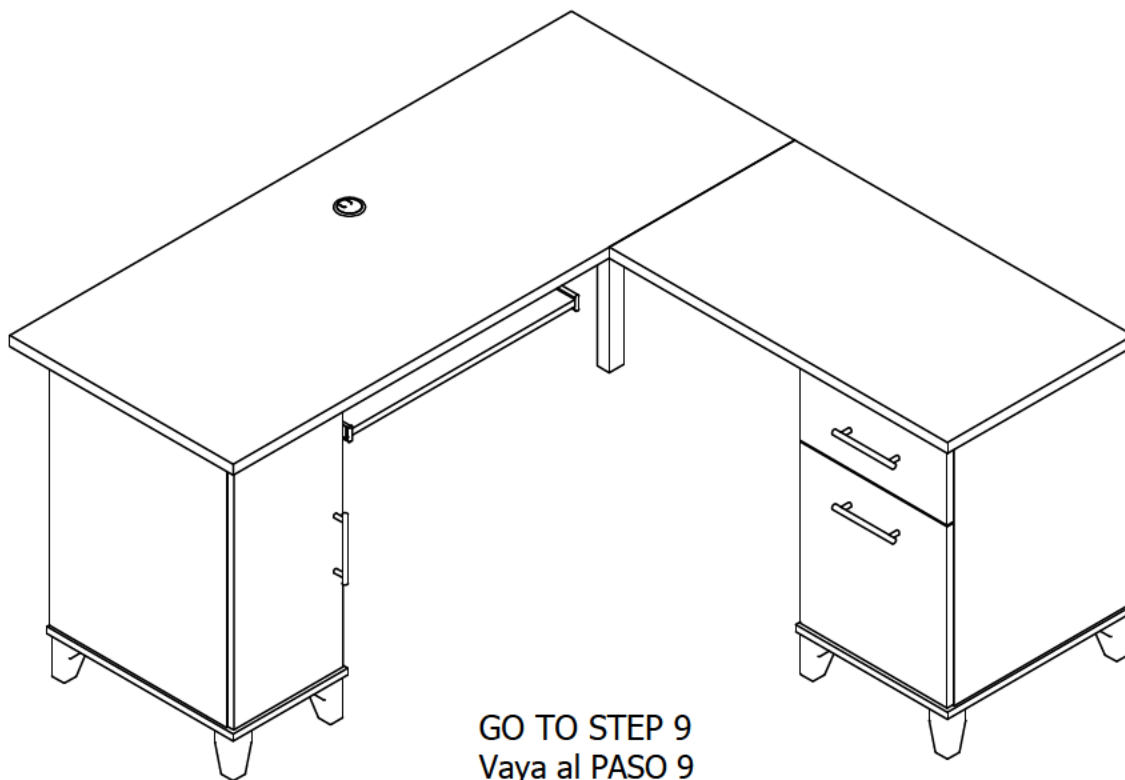
[ 6 ]

KD Bolt

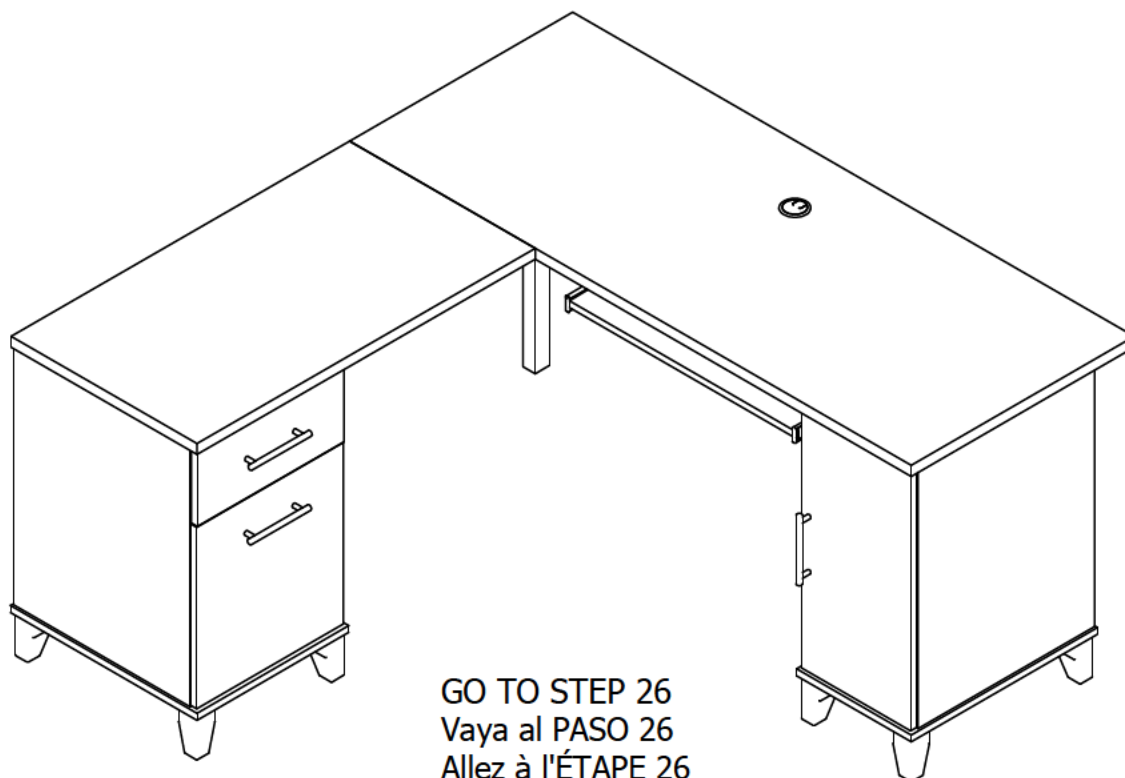


# STEP 8

# Assembly Options



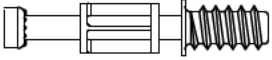
GO TO STEP 9  
Vaya al PASO 9  
Allez à l'ÉTAPE 9




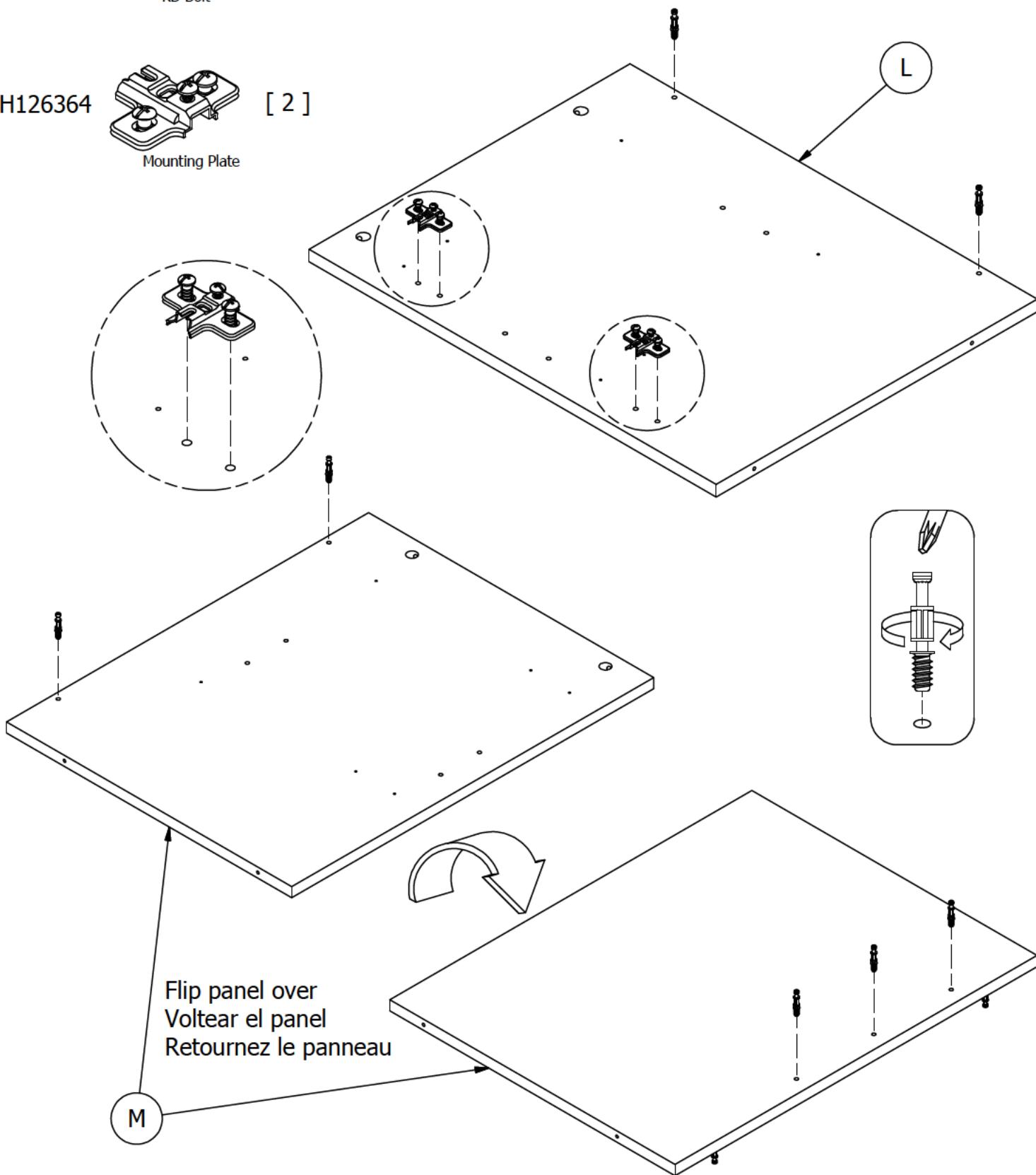
GO TO STEP 26  
Vaya al PASO 26  
Allez à l'ÉTAPE 26

# STEP 9

## Prepare Cabinet Sides

H72988  [ 7 ]  
KD Bolt

H126364  [ 2 ]  
Mounting Plate



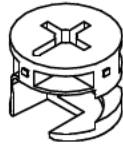
Flip panel over  
Voltear el panel  
Retournez le panneau

M

# STEP 10

# Assemble Cabinet

H71659 [ 4 ]  
KD Cam

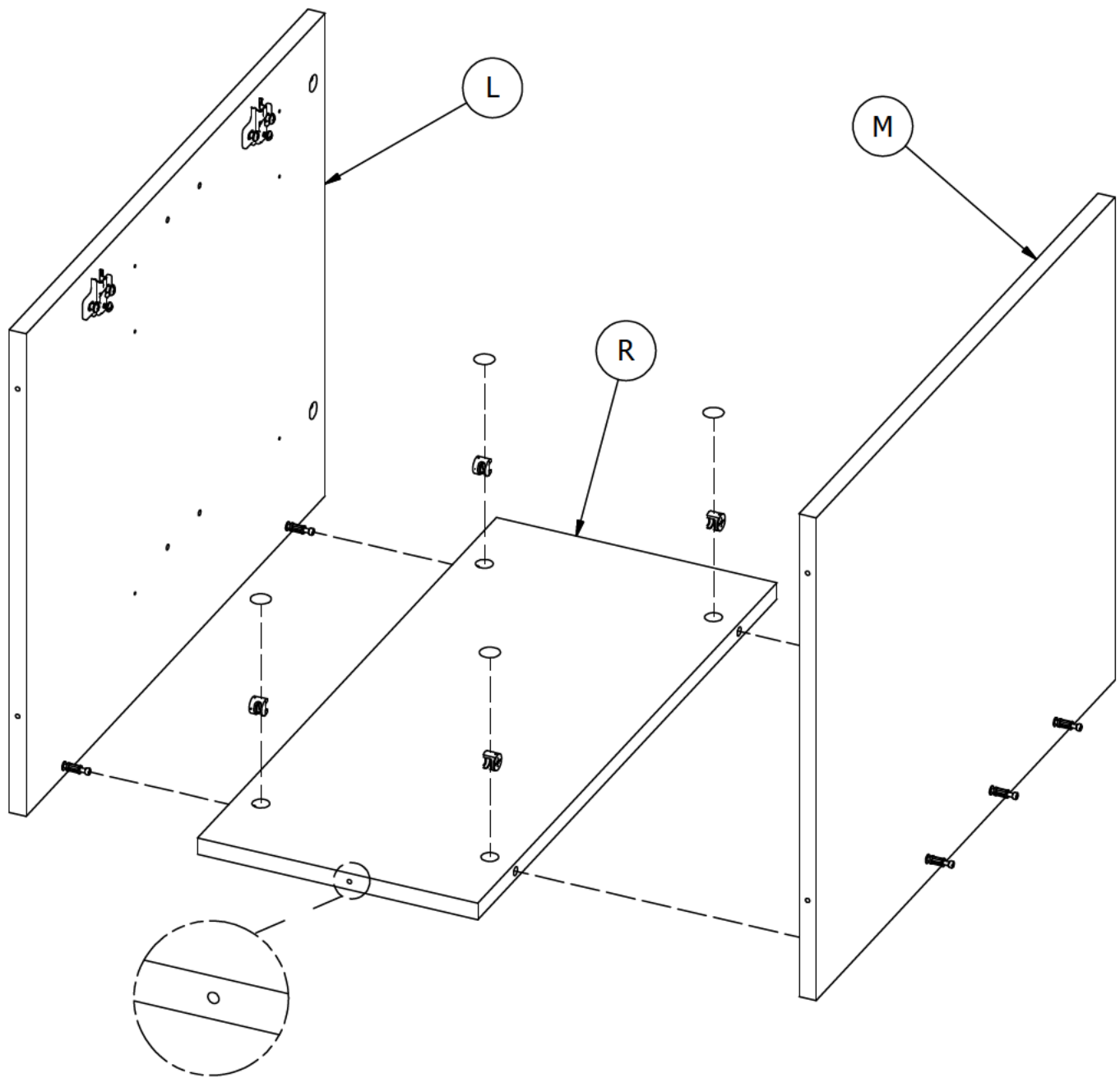
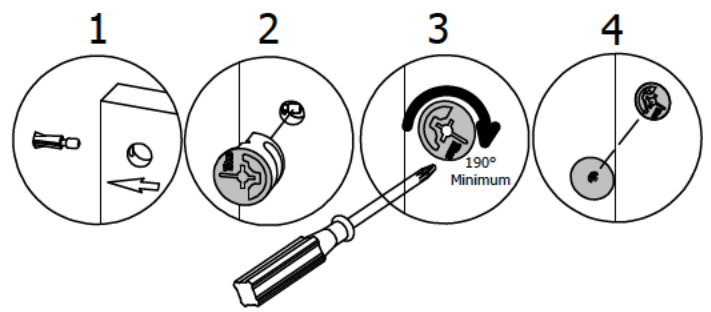


KD Cam



[ 4 ]

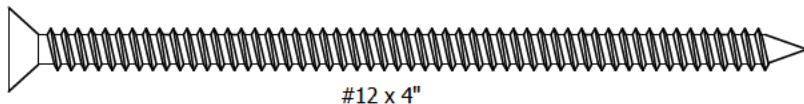
Cover Cap



# STEP 11

# Assembly Cabinet Base

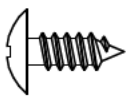
H143460



[ 4 ]

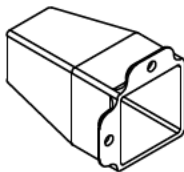
#12 x 4"

H35251



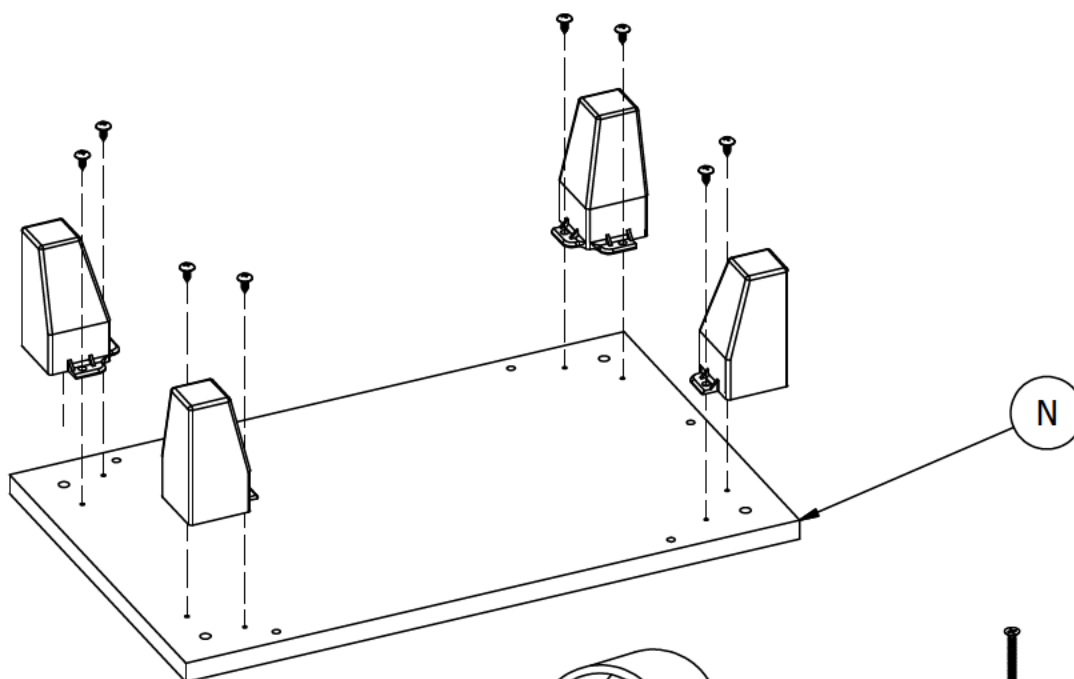
[ 8 ]

#10 x 1/2"

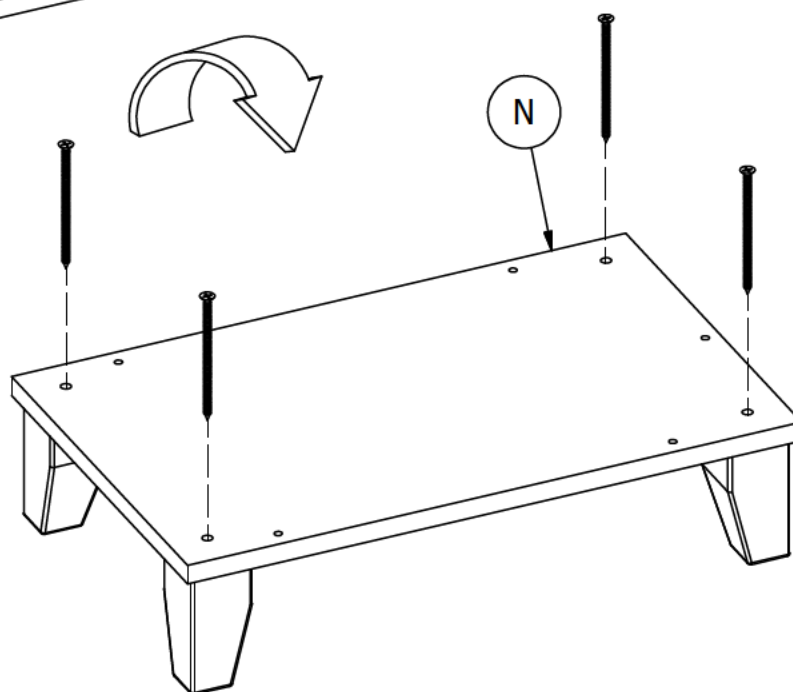


[ 4 ]

Foot



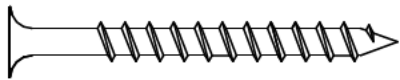
Flip panel over  
Voltear el panel  
Retournez le panneau



# STEP 12

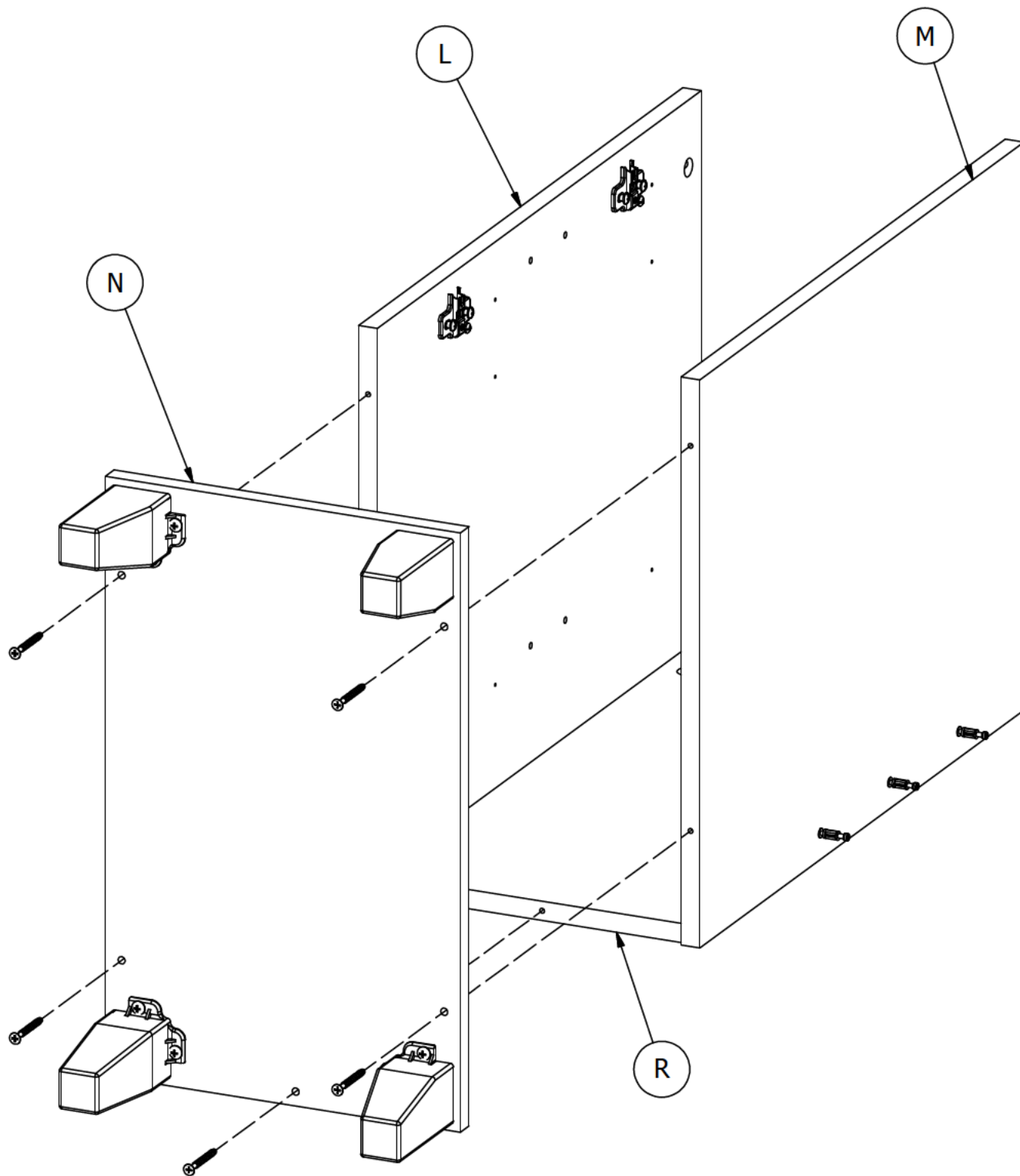
# Assemble Cabinet

H23491




[ 5 ]

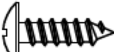
#10 x 2"

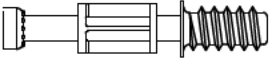


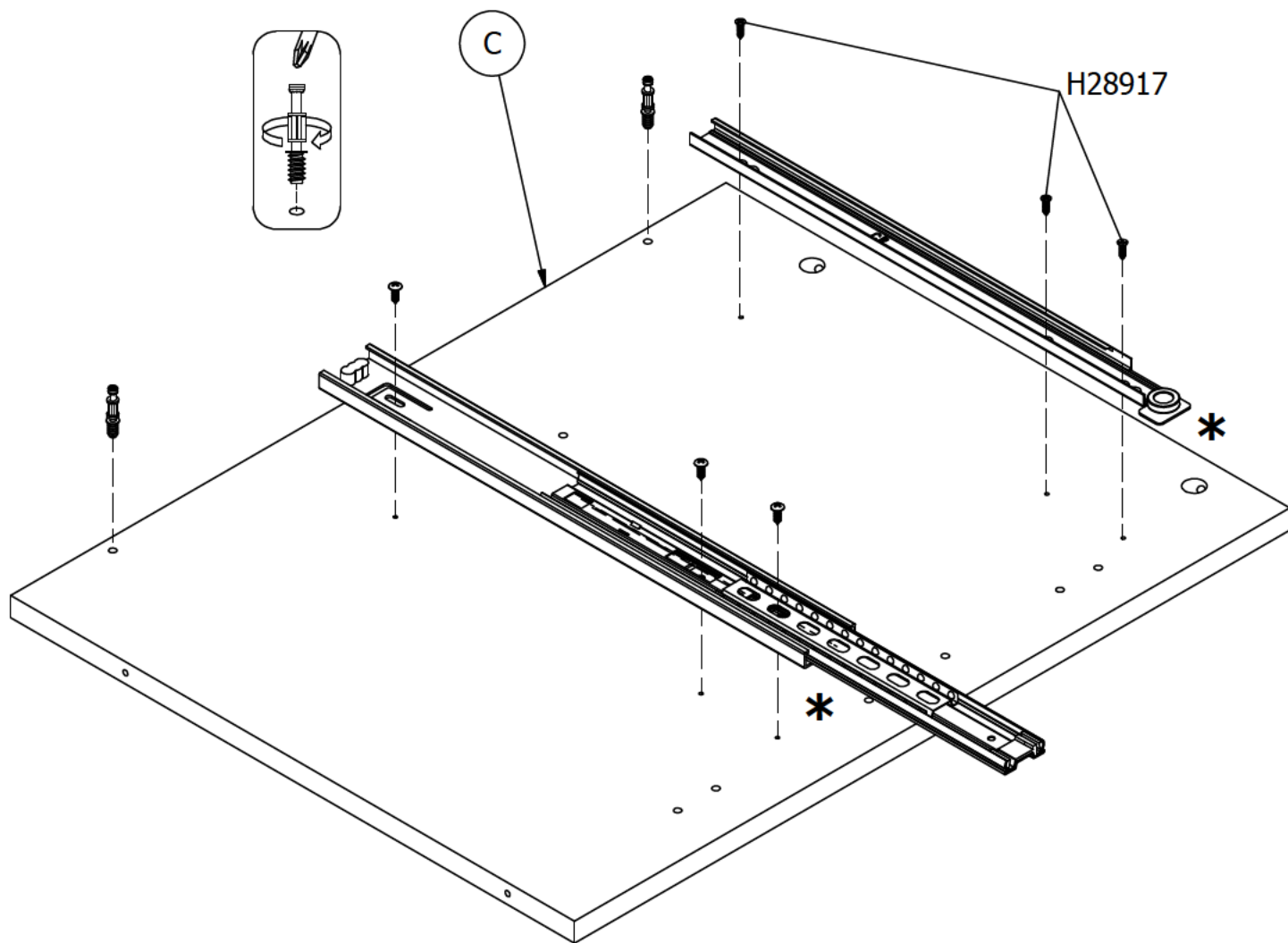
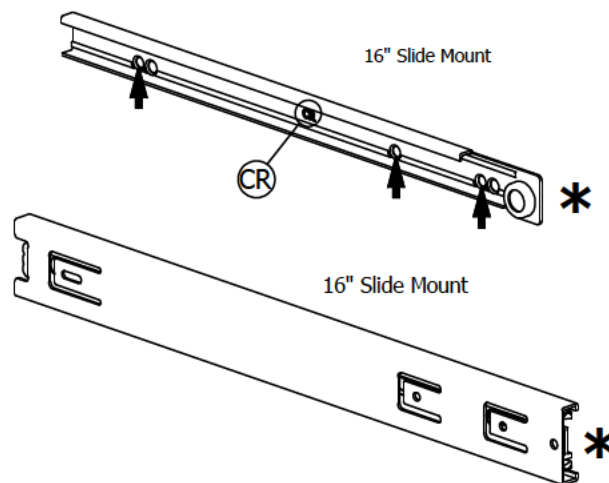
# STEP 13

# Prepare Cabinet Sides

H28917  [ 3 ]  
#6 x 1/2" Silver


H101725  [ 3 ]  
#6 x 1/2"

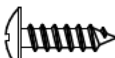
H72988  [ 2 ]  
KD Bolt

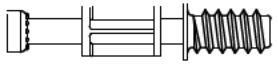


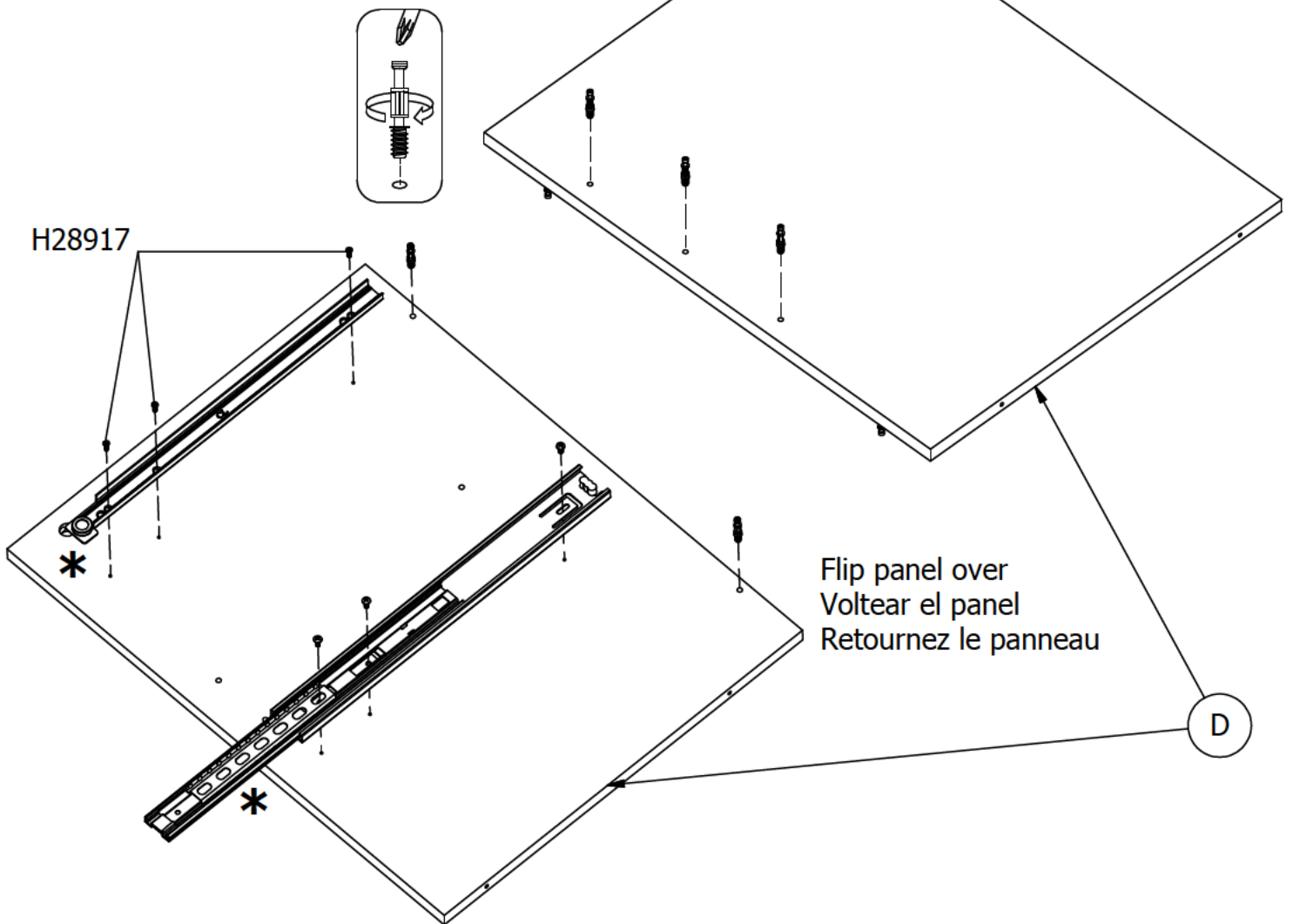
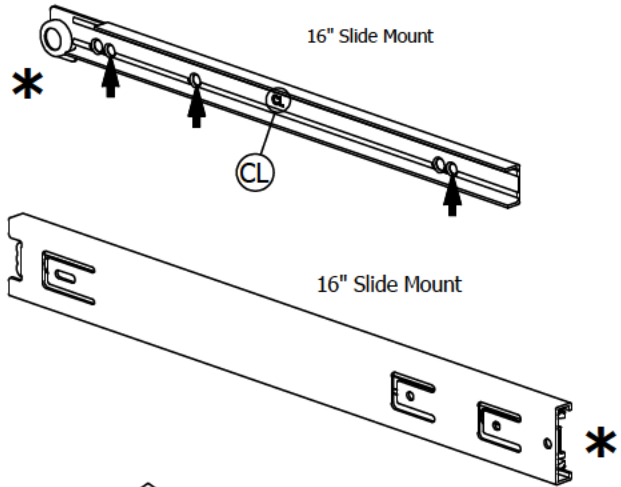
# STEP 14

# Prepare Cabinet Sides

H28917  [ 3 ]  
#6 x 1/2" Silver

H101725  [ 3 ]  
#6 x 1/2"

H72988  [ 5 ]  
KD Bolt



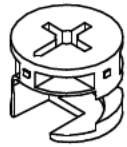
Flip panel over  
Voltear el panel  
Retournez le panneau

D

# STEP 15

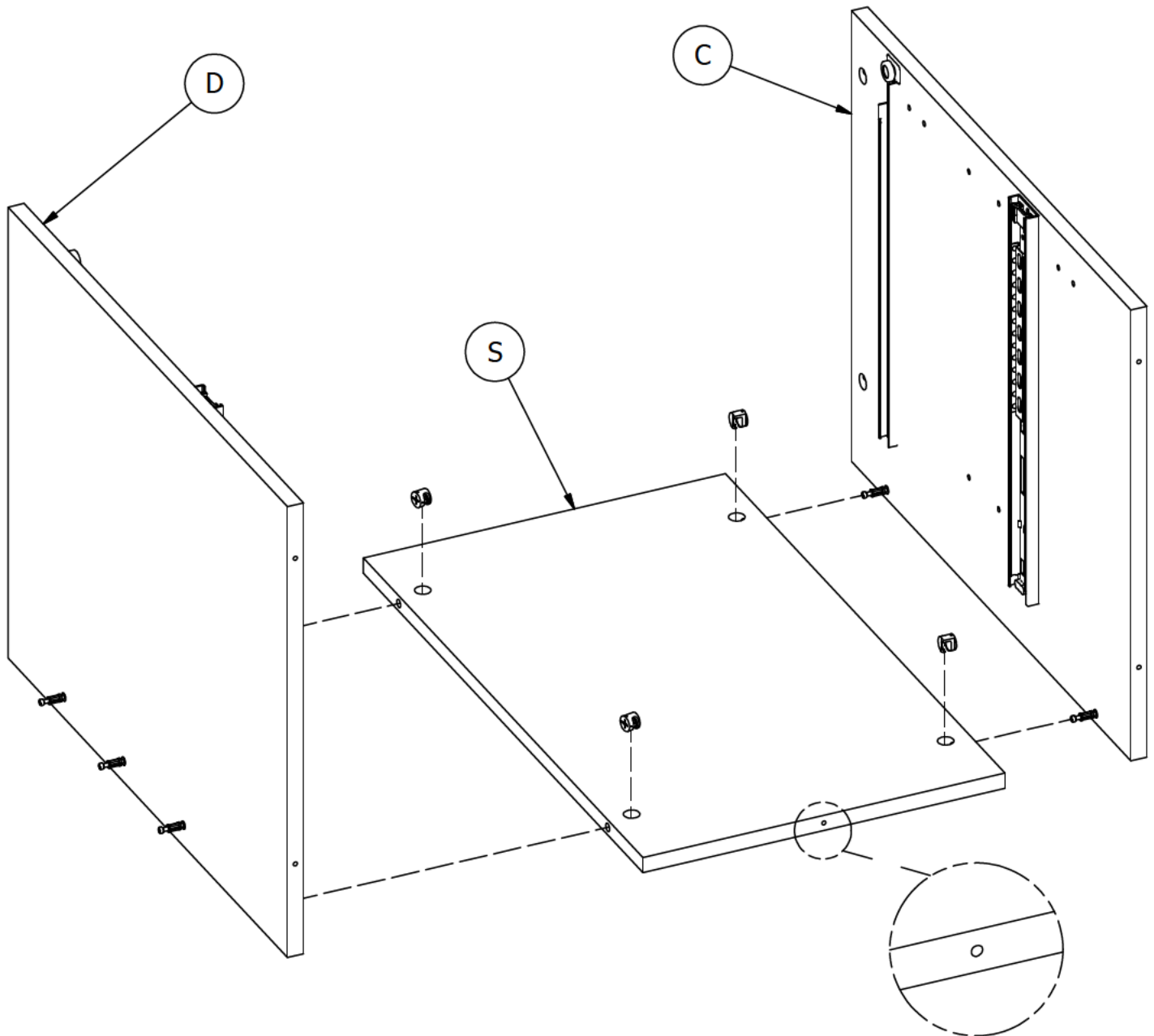
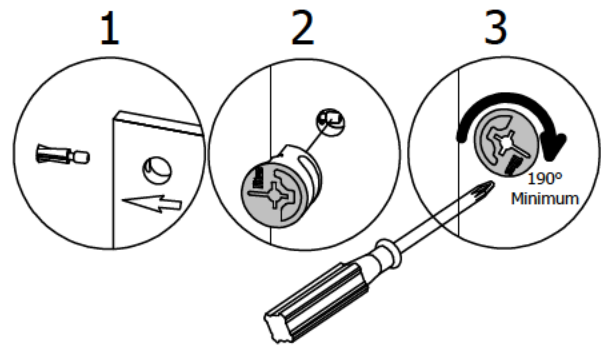
# Assemble Pedestal

H71659



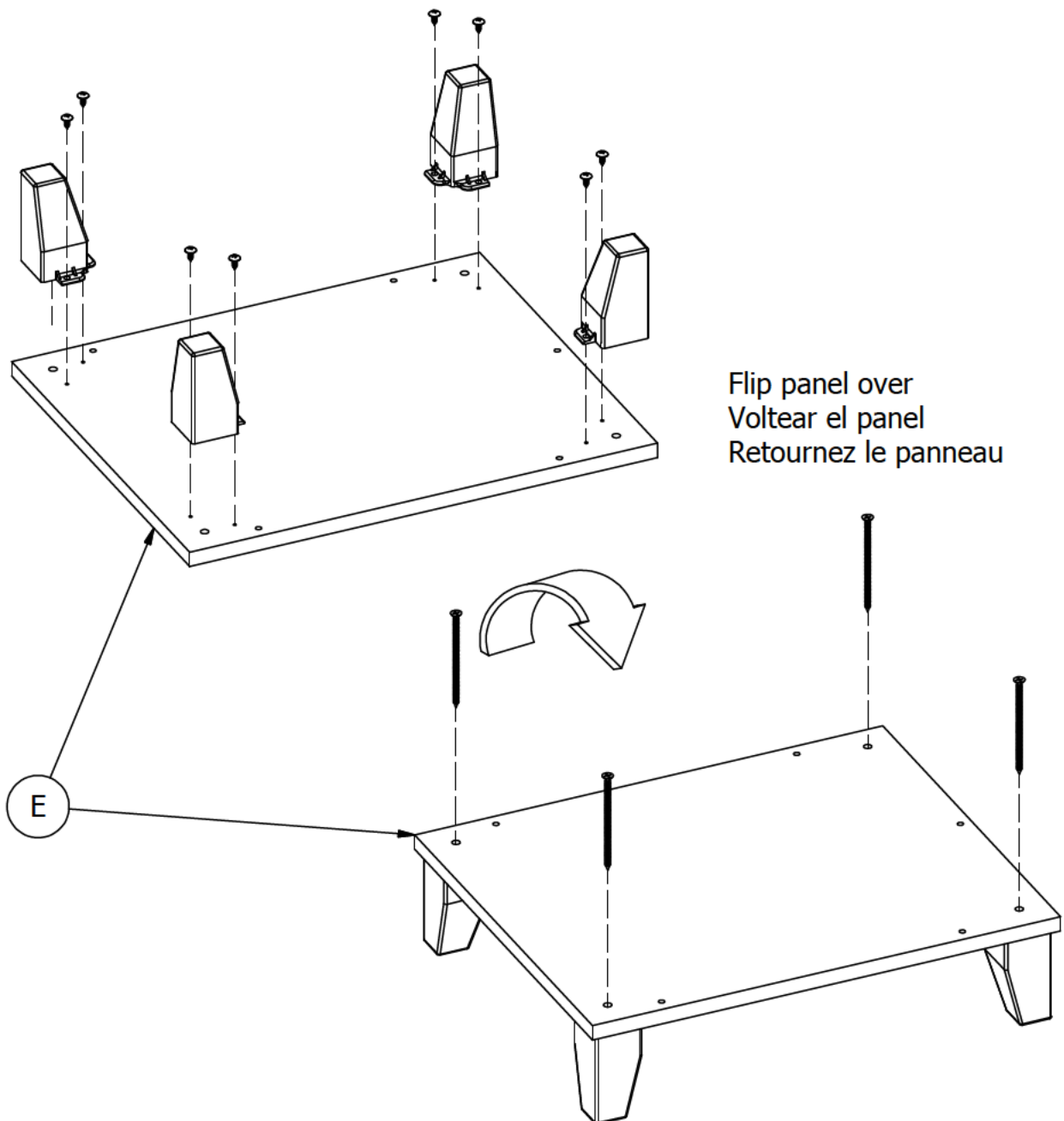
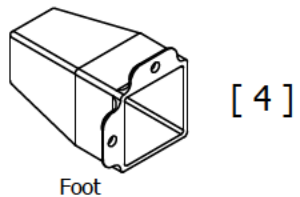
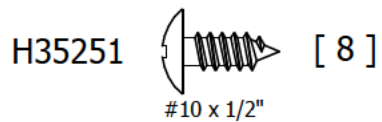
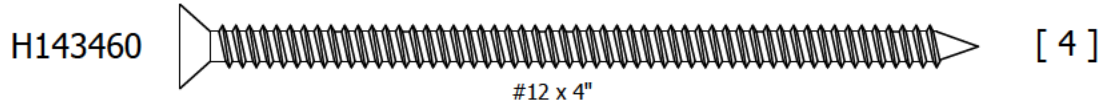
[ 4 ]

KD Cam



# STEP 16

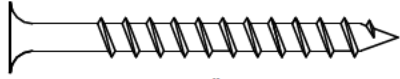
# Prepare Cabinet Base



# STEP 17

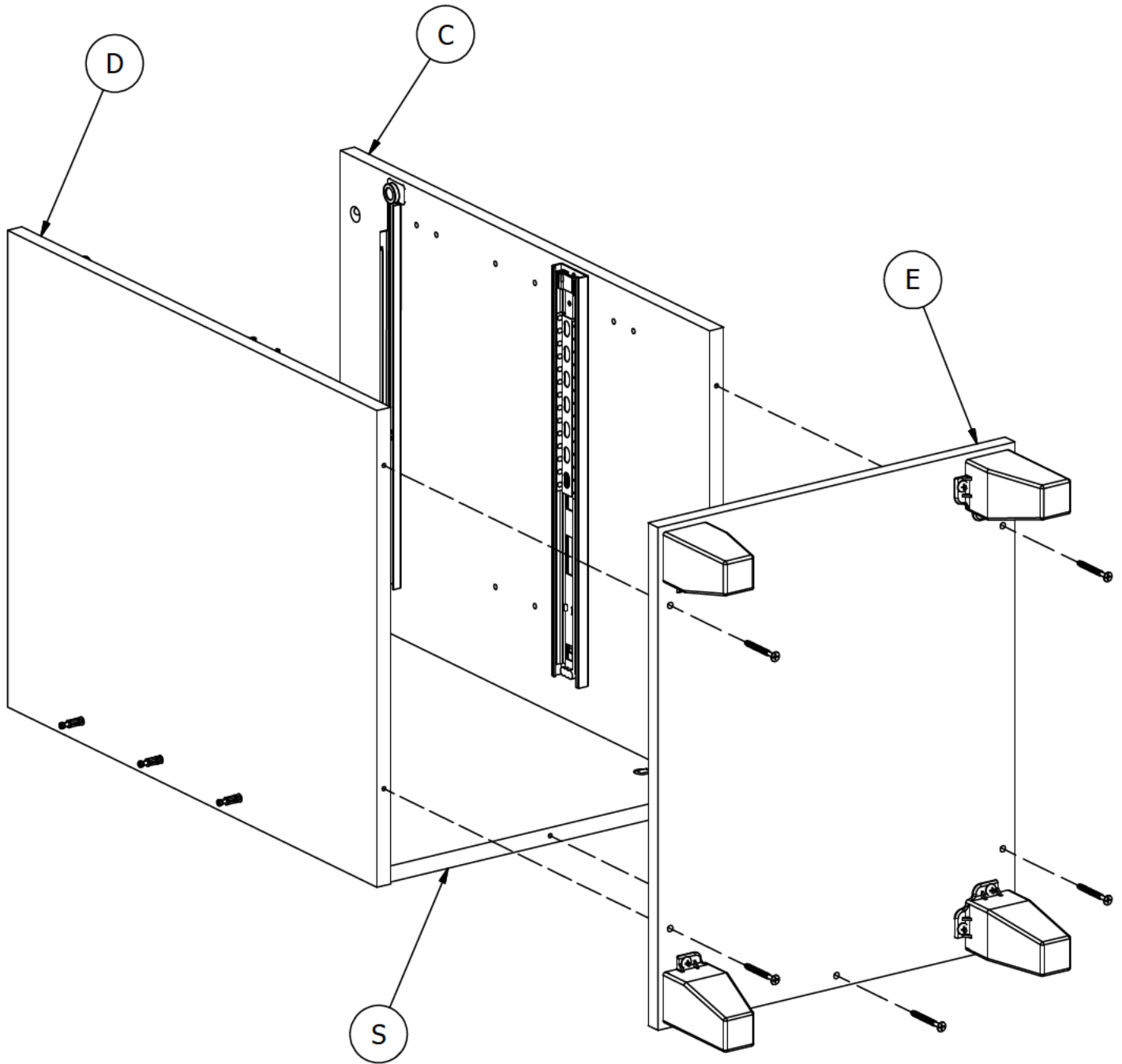
# Assemble Cabinet

H23491



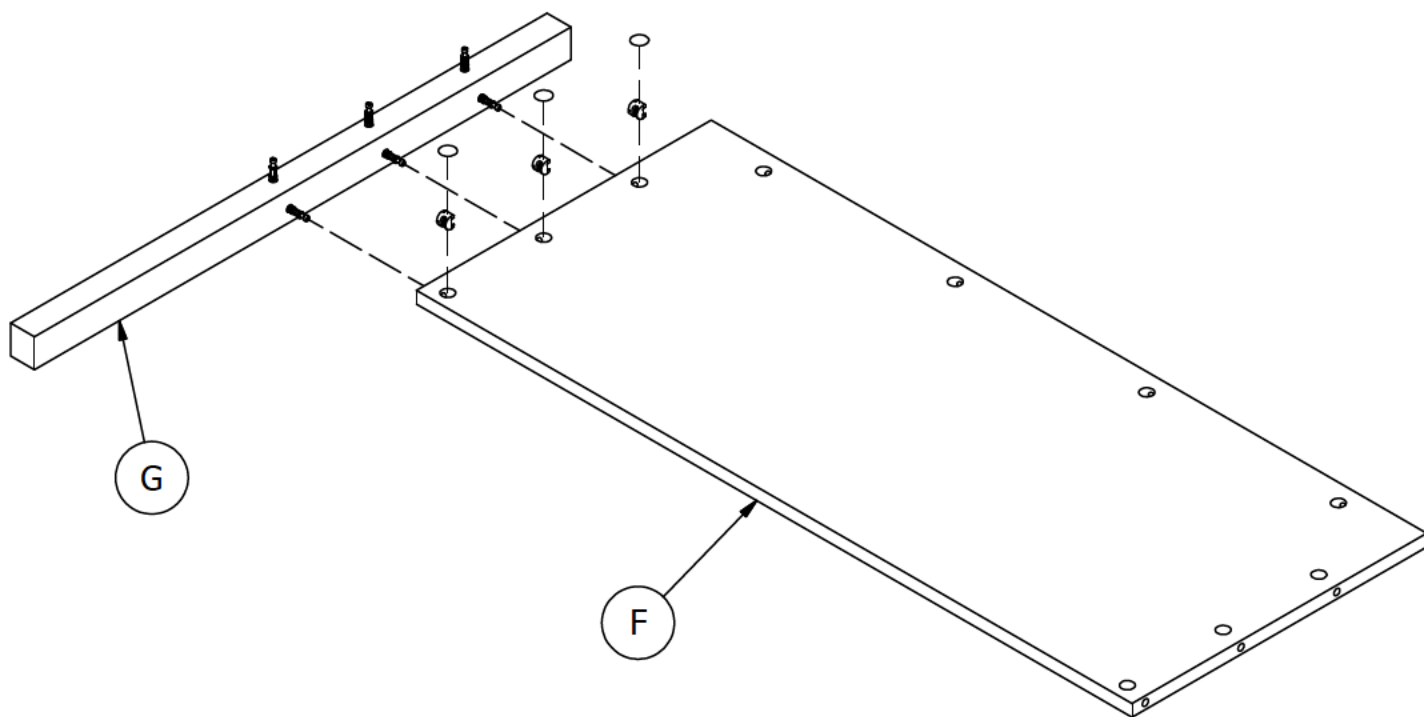
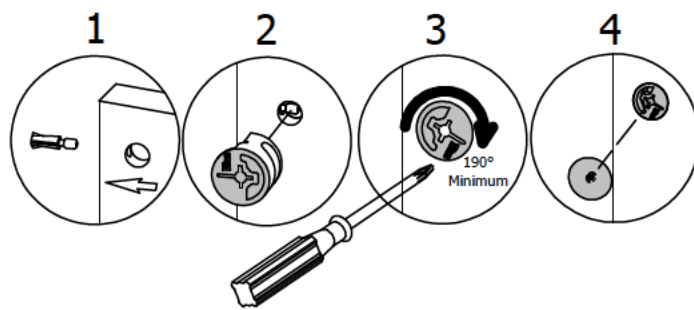
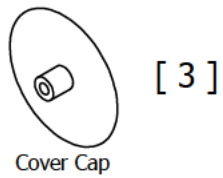
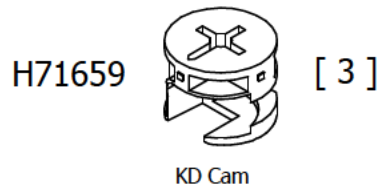
[ 5 ]

#10 x 2"



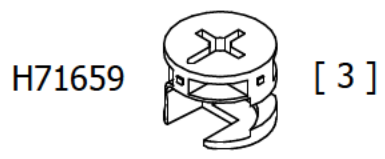
# STEP 18

# Assemble Modesty Panel

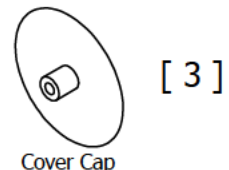


# STEP 19

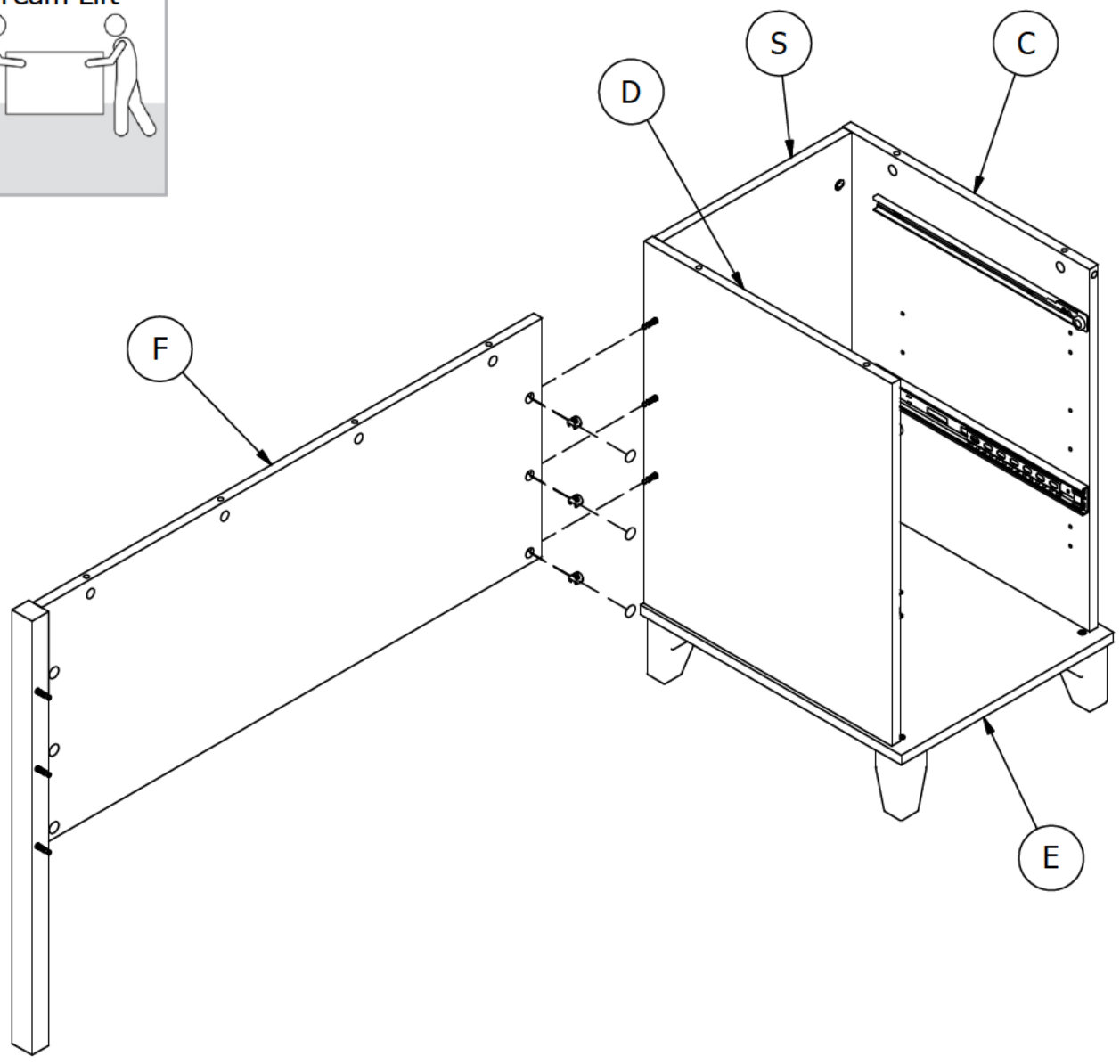
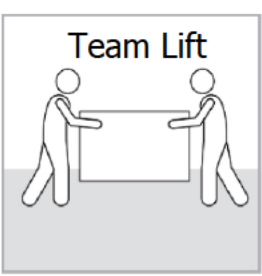
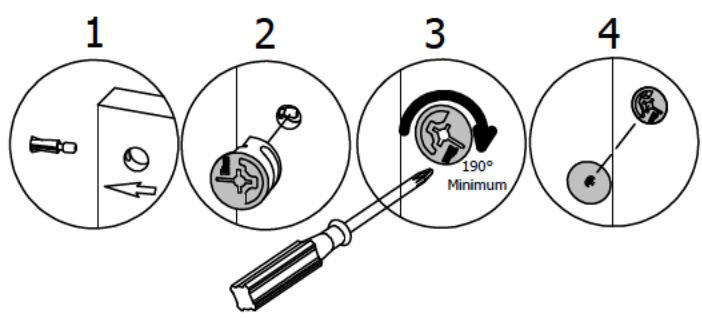
# Assemble Modesty Panel to Cabinet



KD Cam

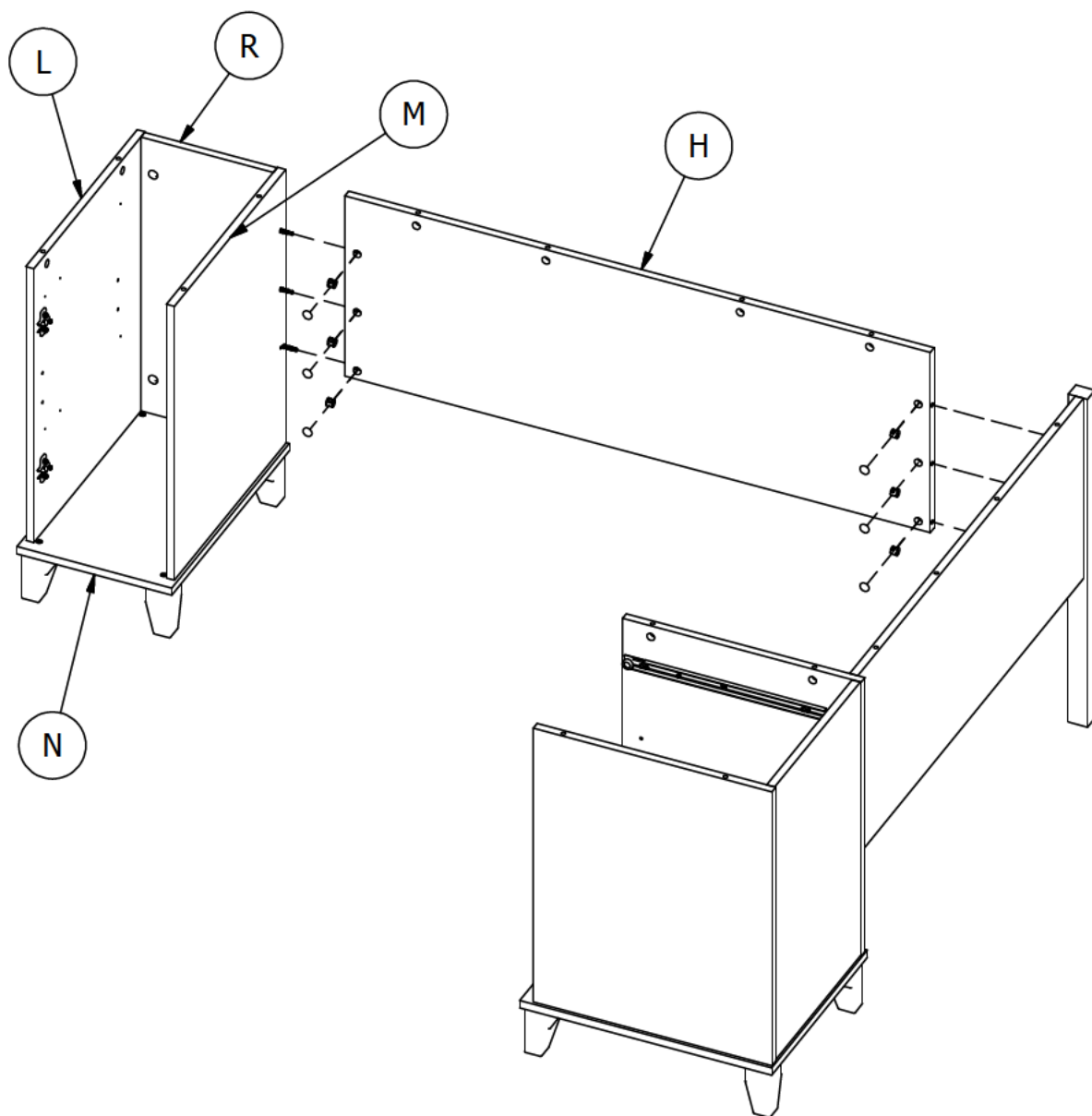
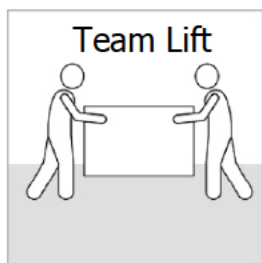
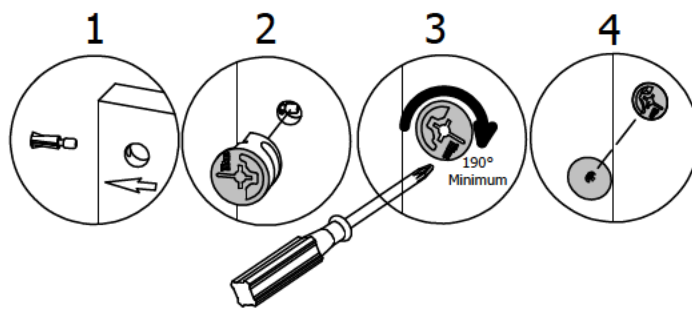
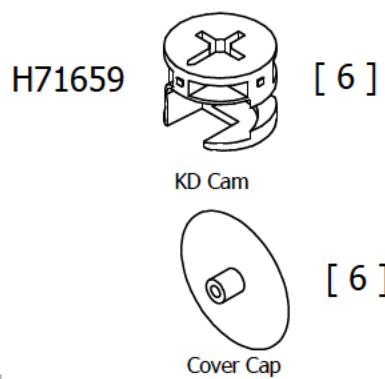


Cover Cap




# STEP 20

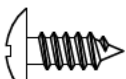
# Assemble Modesty Panel to Cabinet




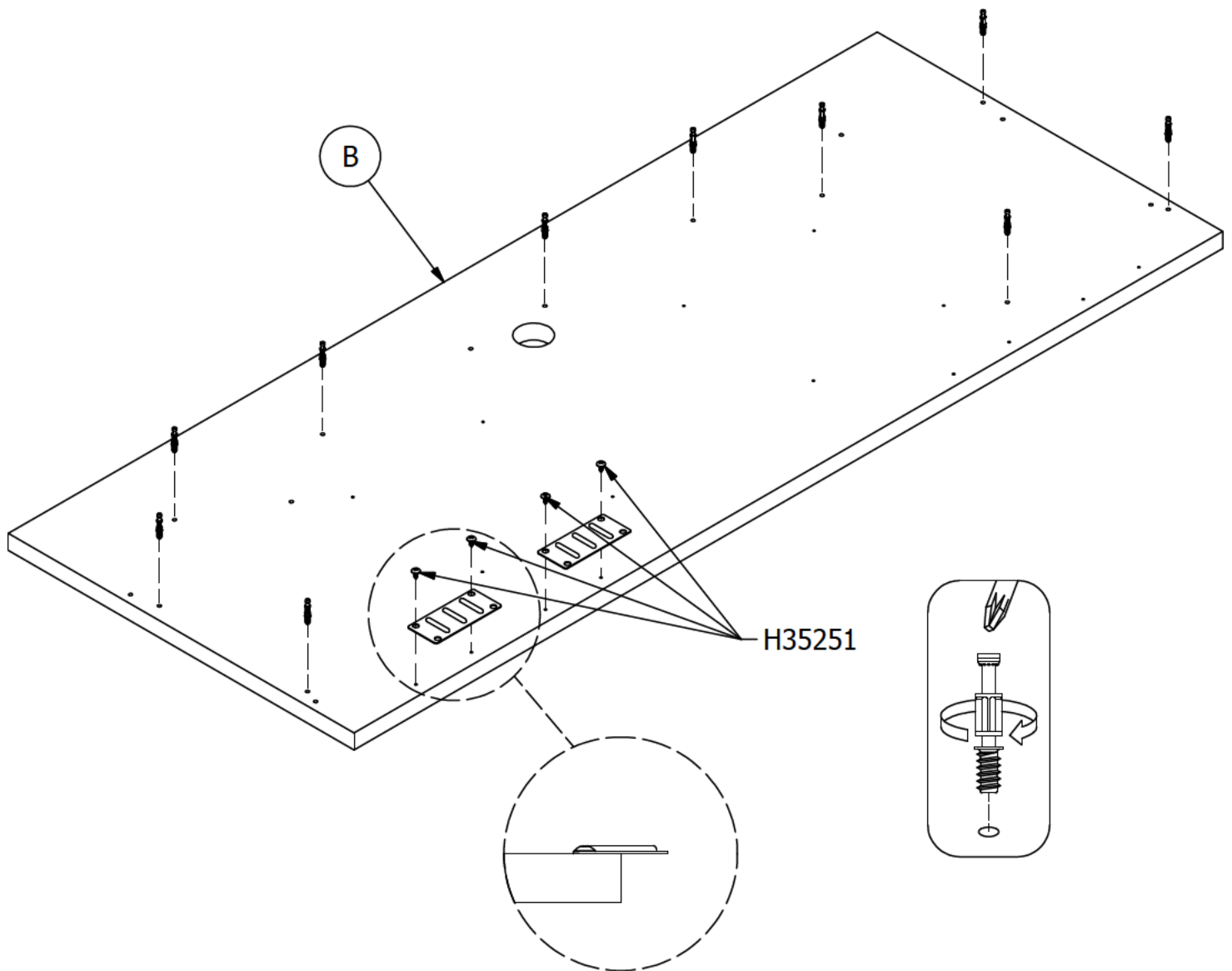
# STEP 21

# Prepare Work Surface

H72988  [ 10 ]  
KD Bolt

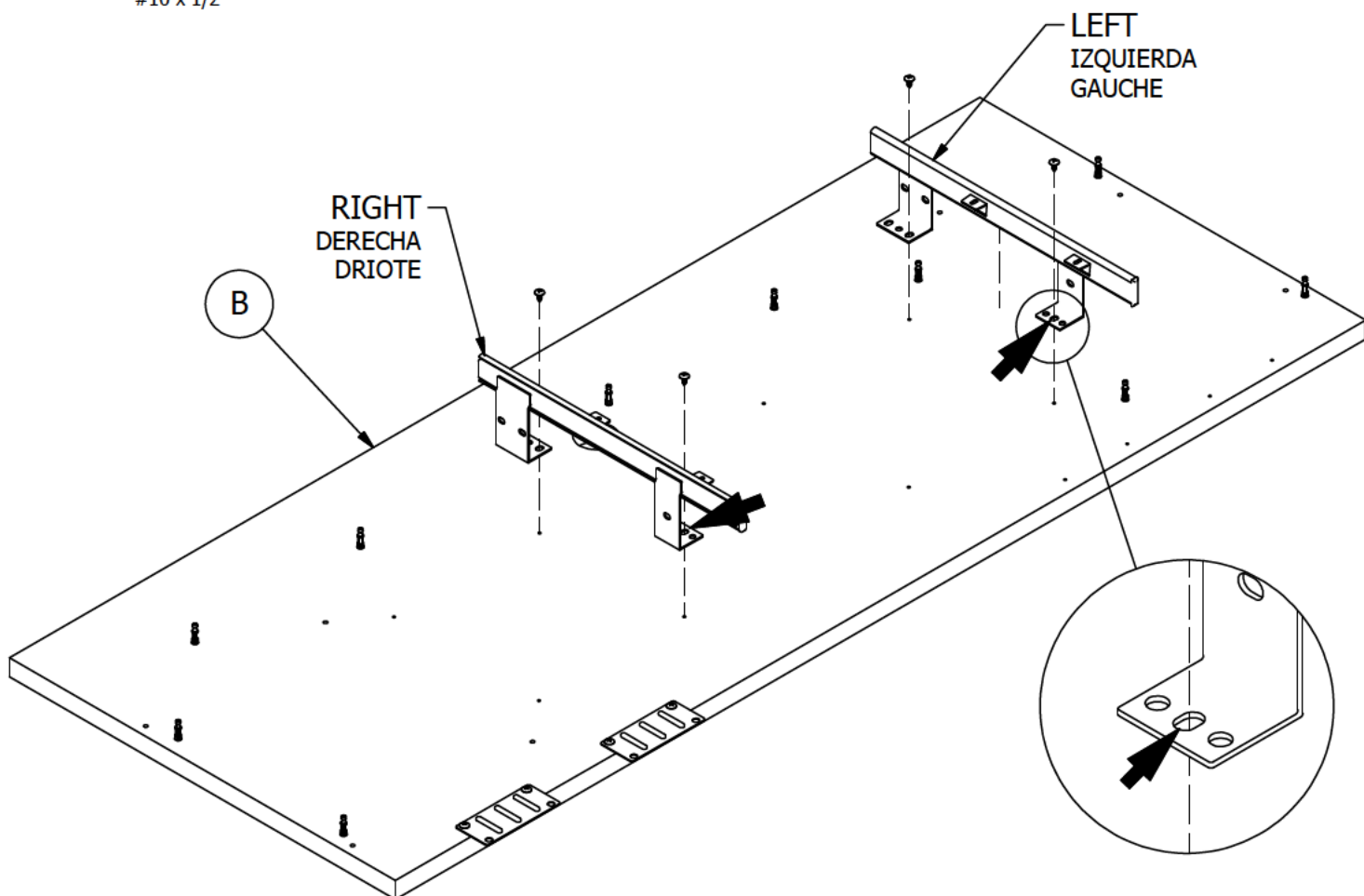
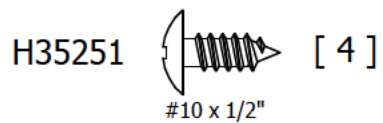
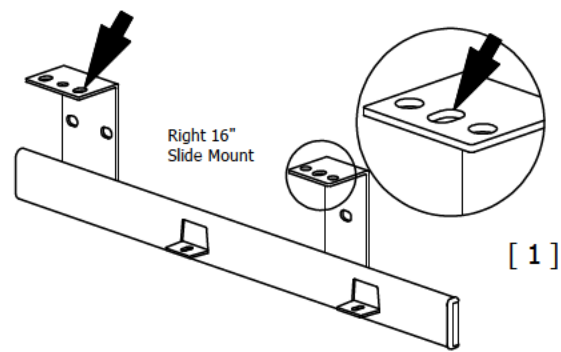
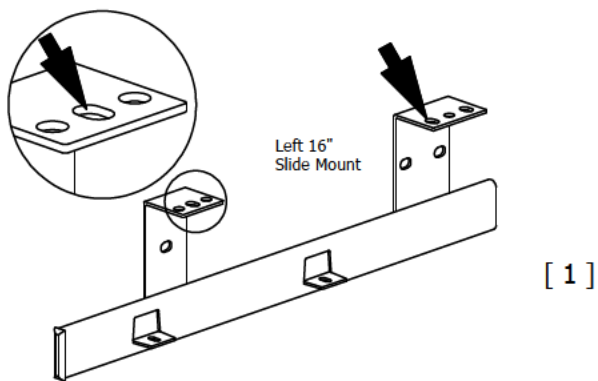
H35251  [ 4 ]  
#10 x 1/2"

H39922  [ 2 ]  
Strap



# STEP 22

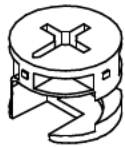
# Assemble Keyboard Slides



# STEP 23

# Assemble Work Surface

H71659 [ 10 ]  
KD Cam

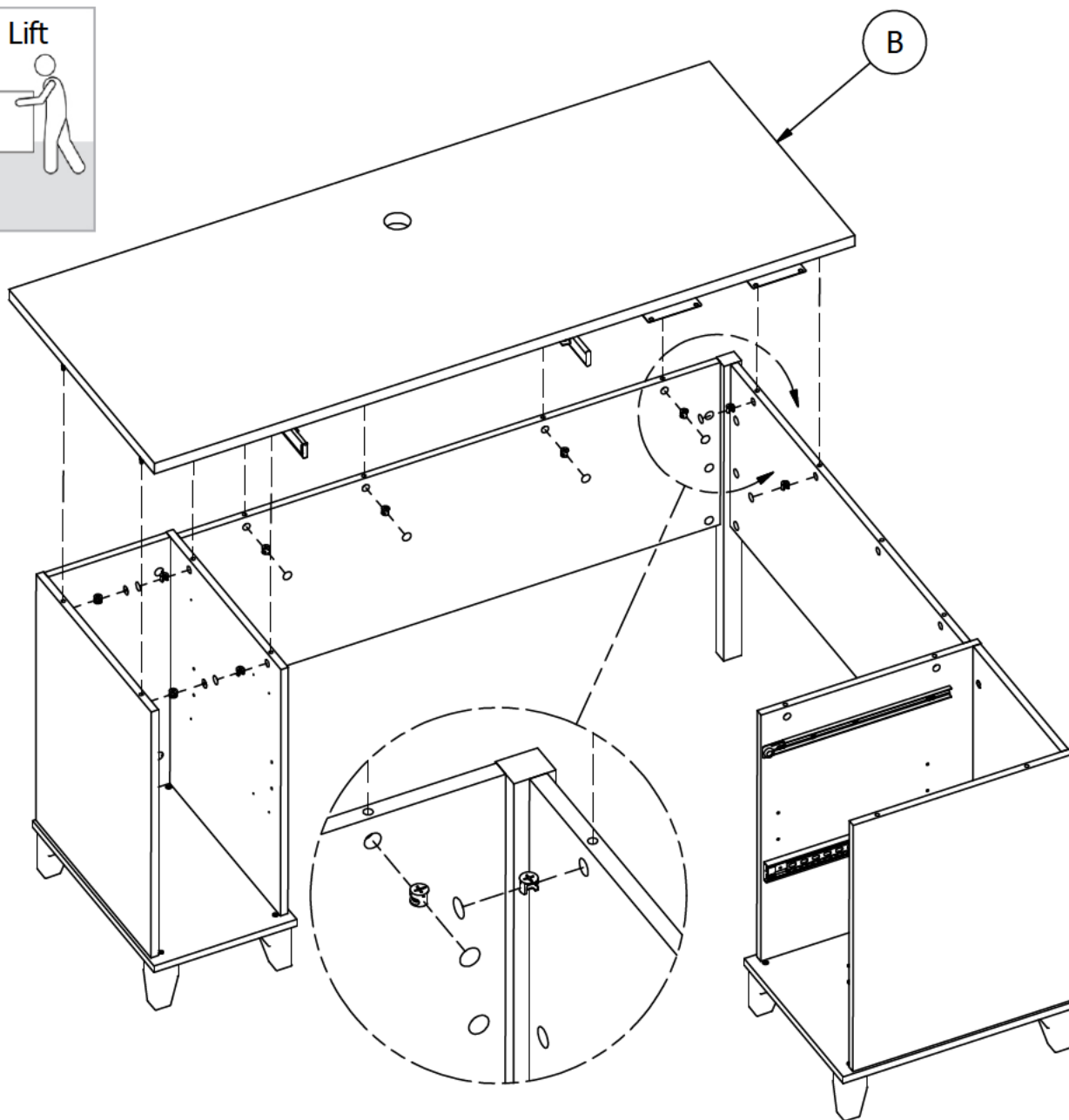
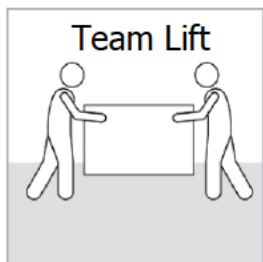
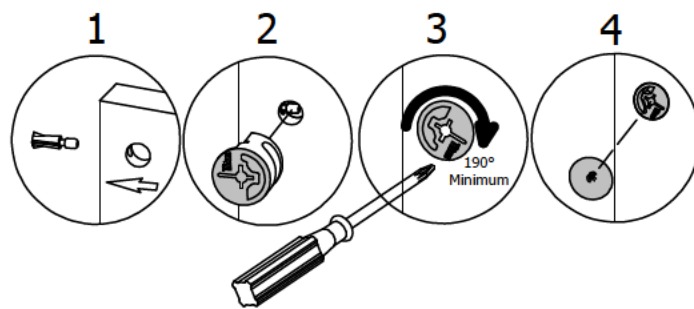


KD Cam



Cover Cap

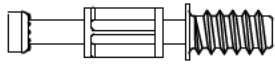
[ 10 ]



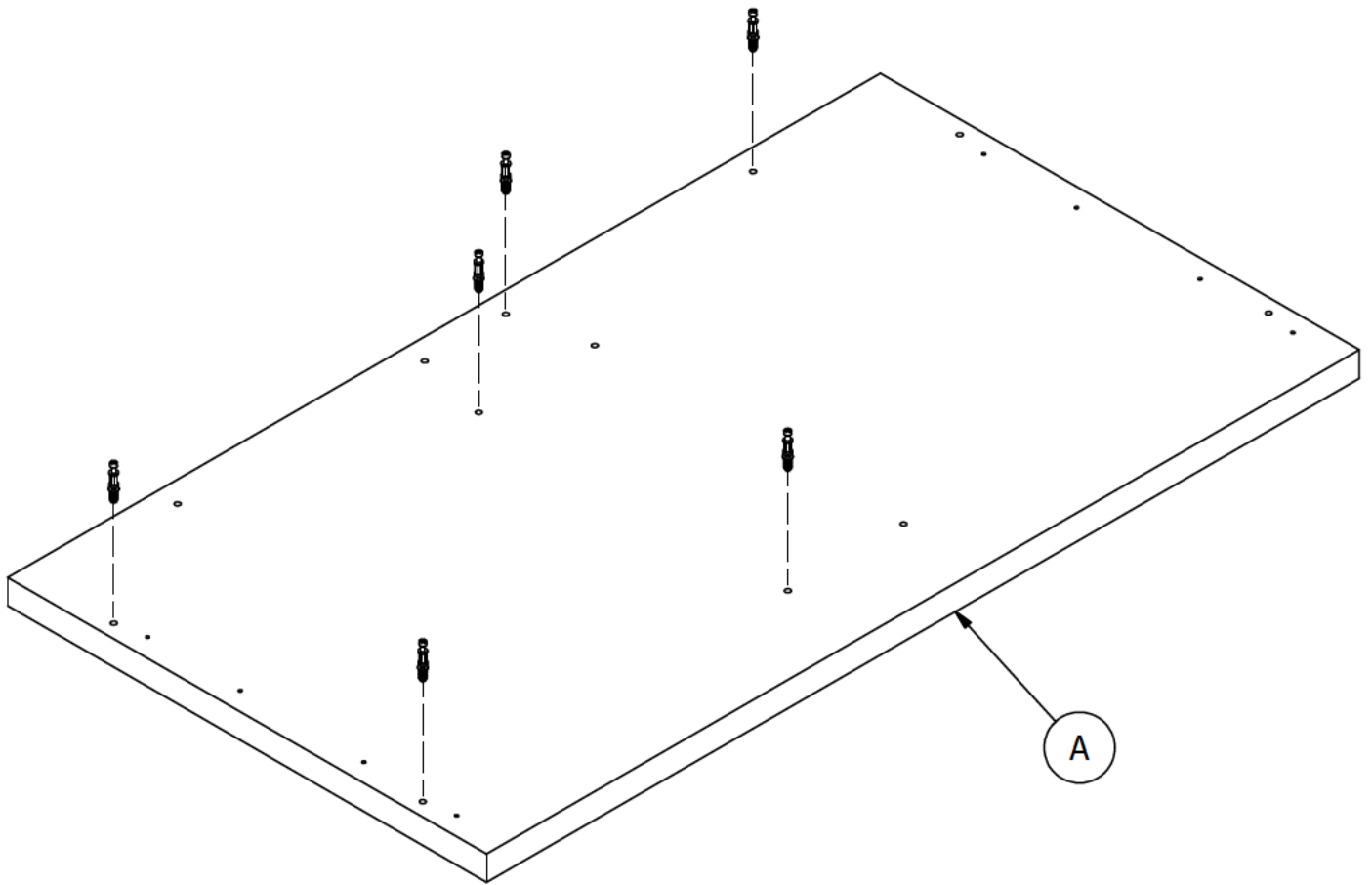
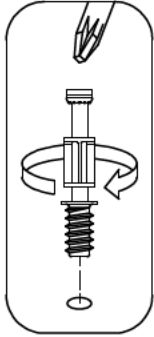
# STEP 24

# Prepare Work Surface

H72988 [ 6 ]



KD Bolt



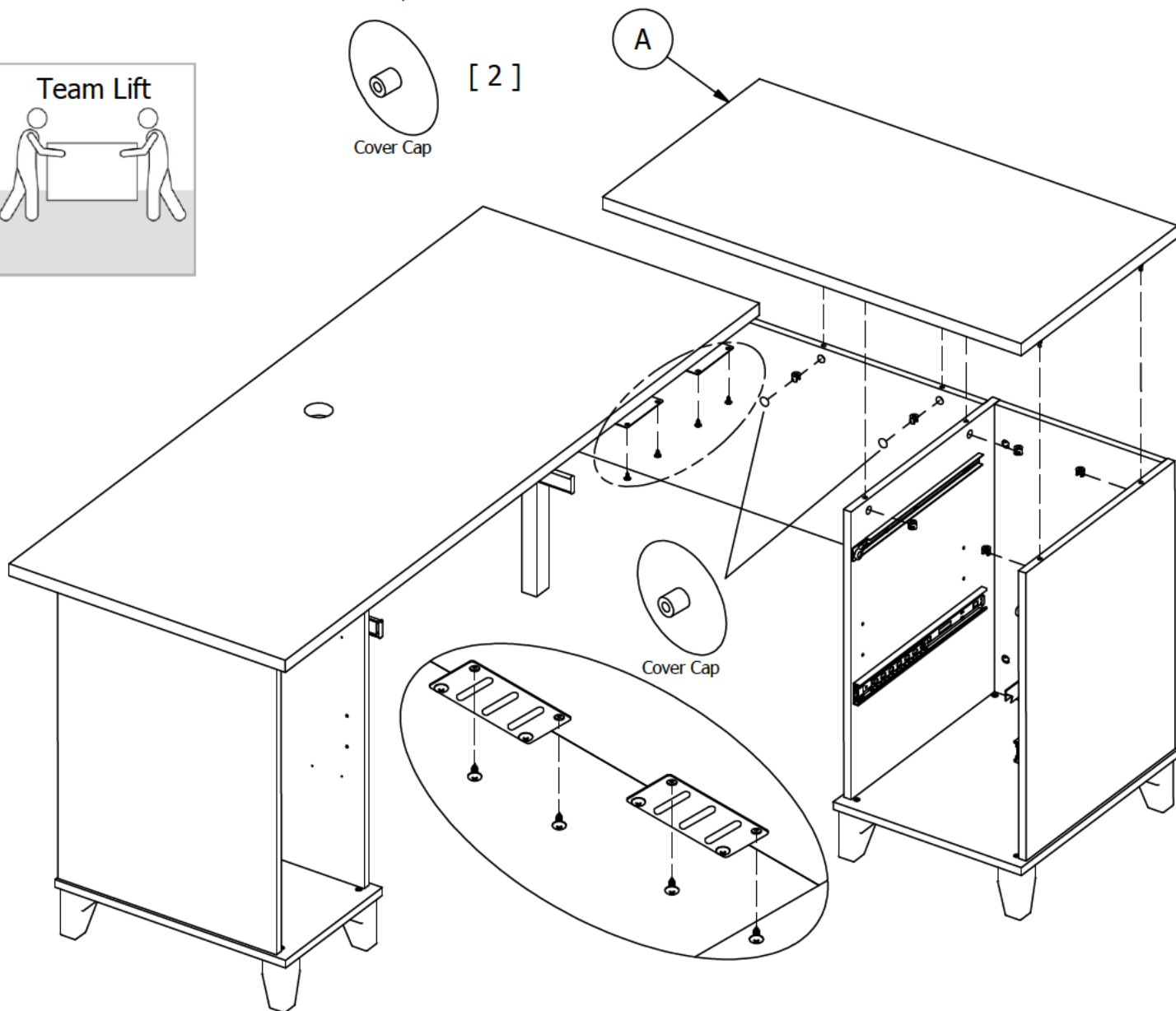
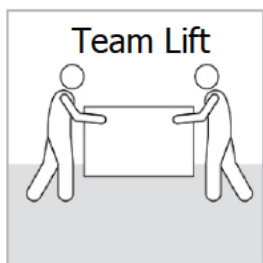
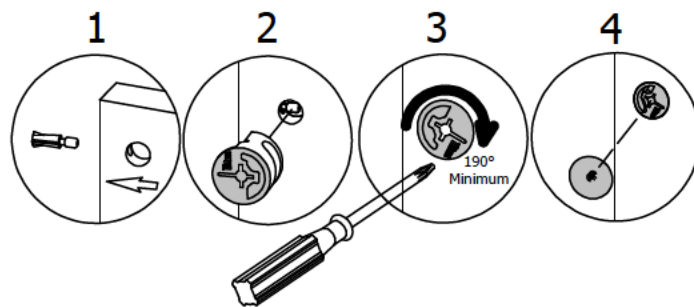
# STEP 25

# Assemble Work Surface

H71659 [ 6 ]  
KD Cam

H35251 [ 4 ]  
#10 x 1/2"

[ 2 ]  
Cover Cap



**Go to Step 43 to finish Assembly.**

Vaya al paso 43 para terminar el ensamblaje.

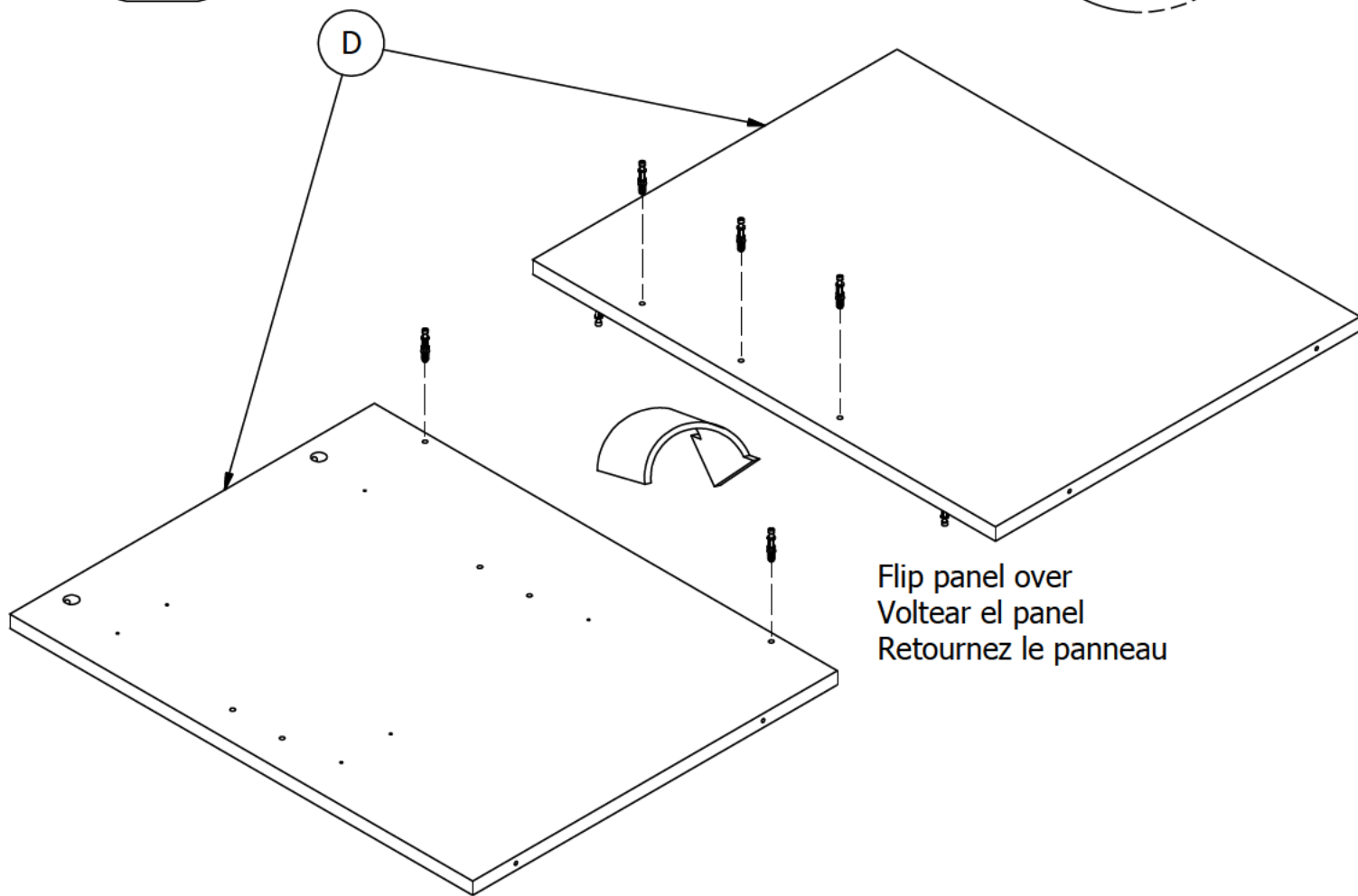
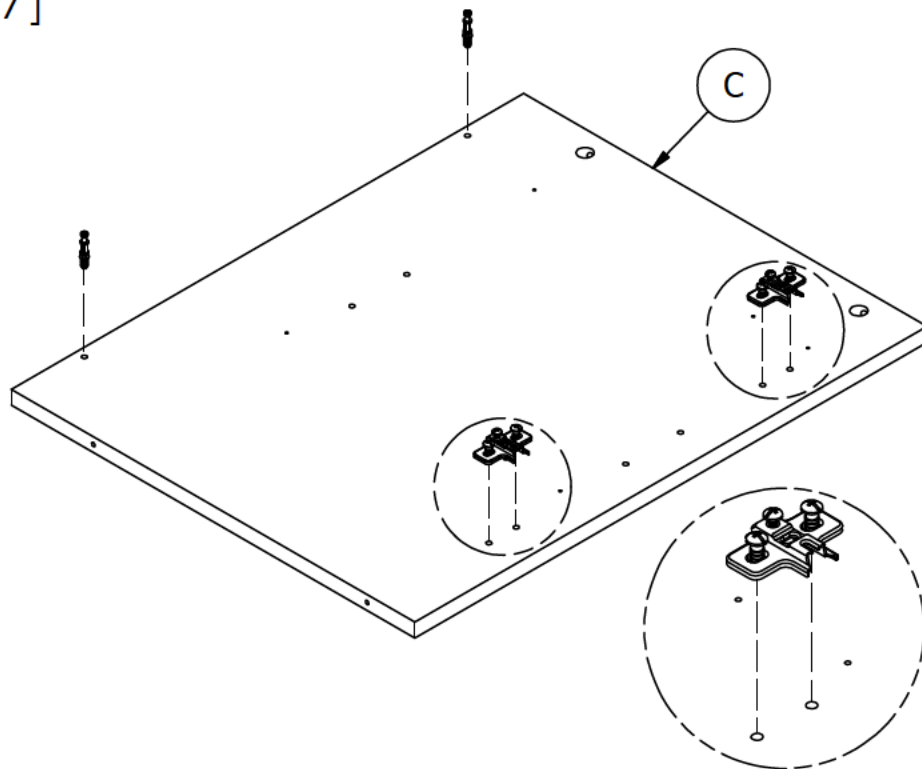
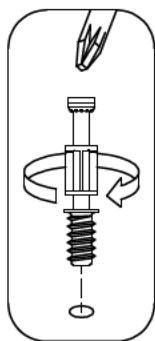
Passez à l'étape 43 pour terminer l'assemblage.

# STEP 26

# Prepare Cabinet Sides

H72988 [ 7 ]  
KD Bolt

H126364 [ 2 ]  
Mounting Plate

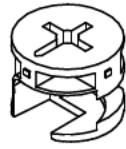


Flip panel over  
Voltear el panel  
Retournez le panneau

# STEP 27

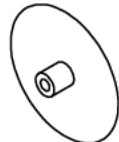
# Assemble Cabinet

H71659



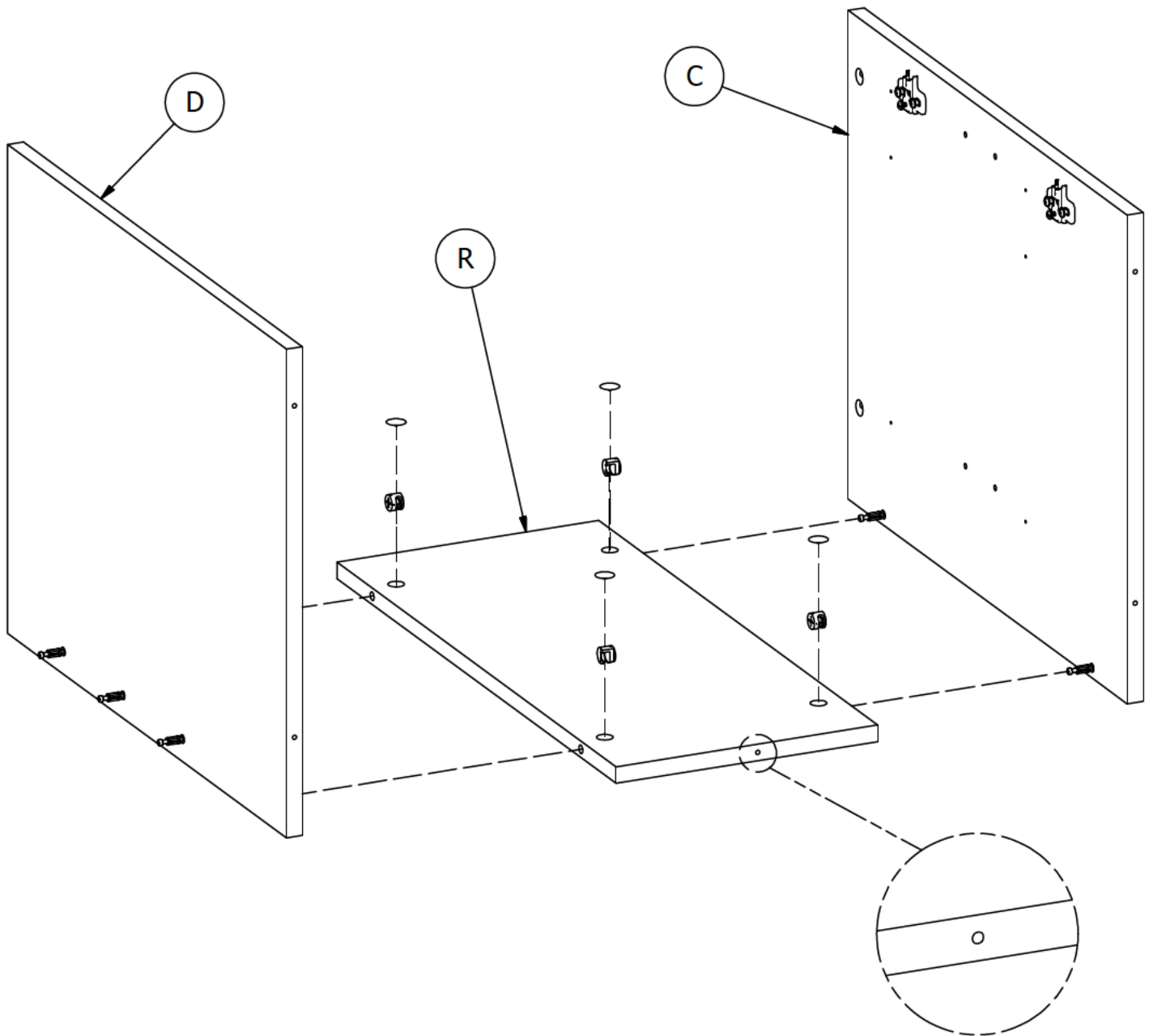
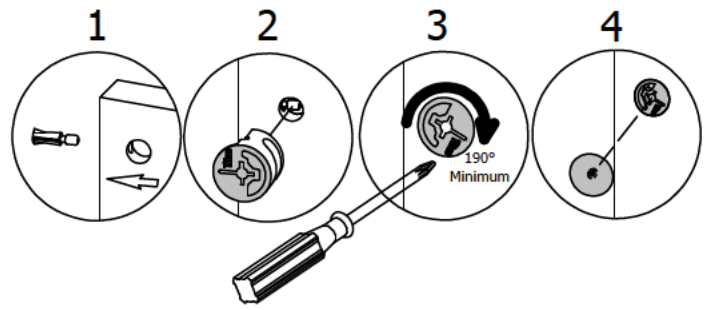
[ 4 ]

KD Cam



[ 4 ]

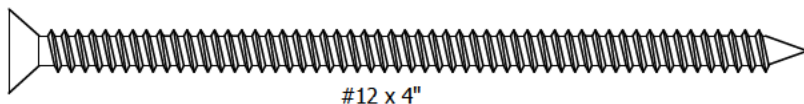
Cover Cap



# STEP 28

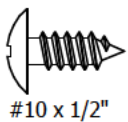
# Assemble Cabinet Base

H143460

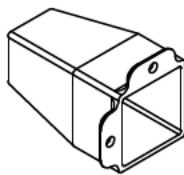


[ 4 ]

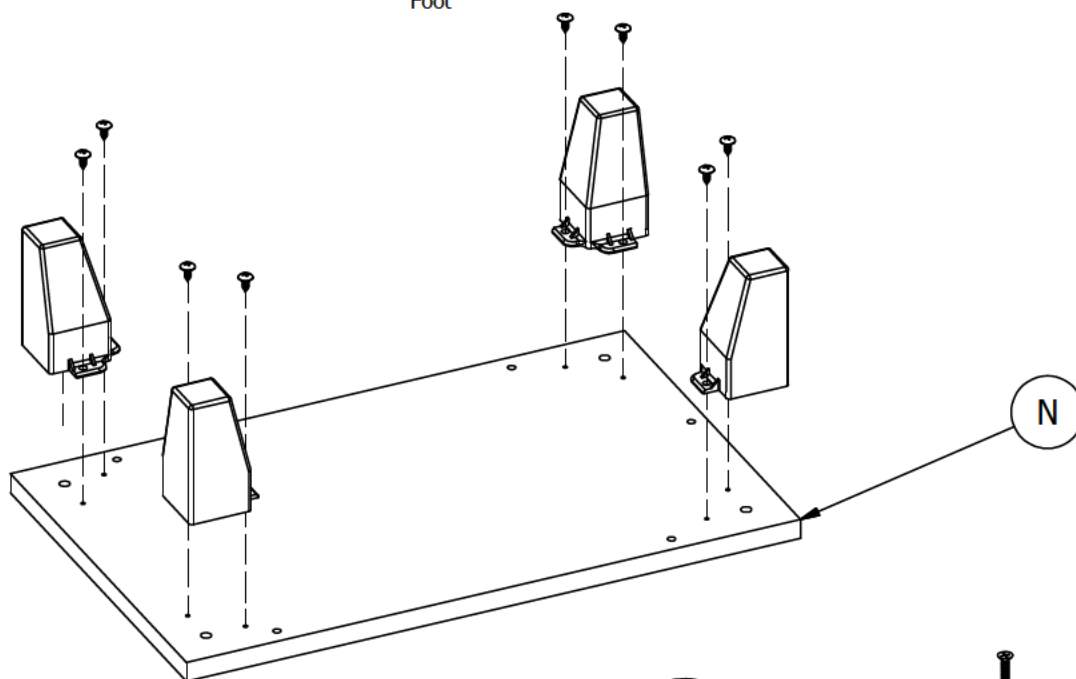
H35251



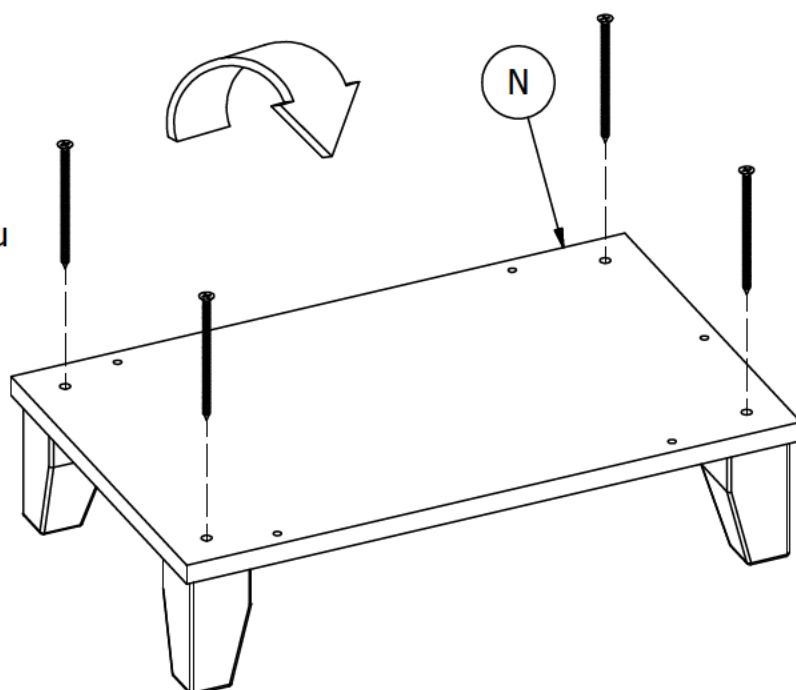
[ 8 ]



[ 4 ]



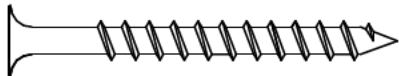
Flip panel over  
Voltear el panel  
Retournez le panneau



# STEP 29

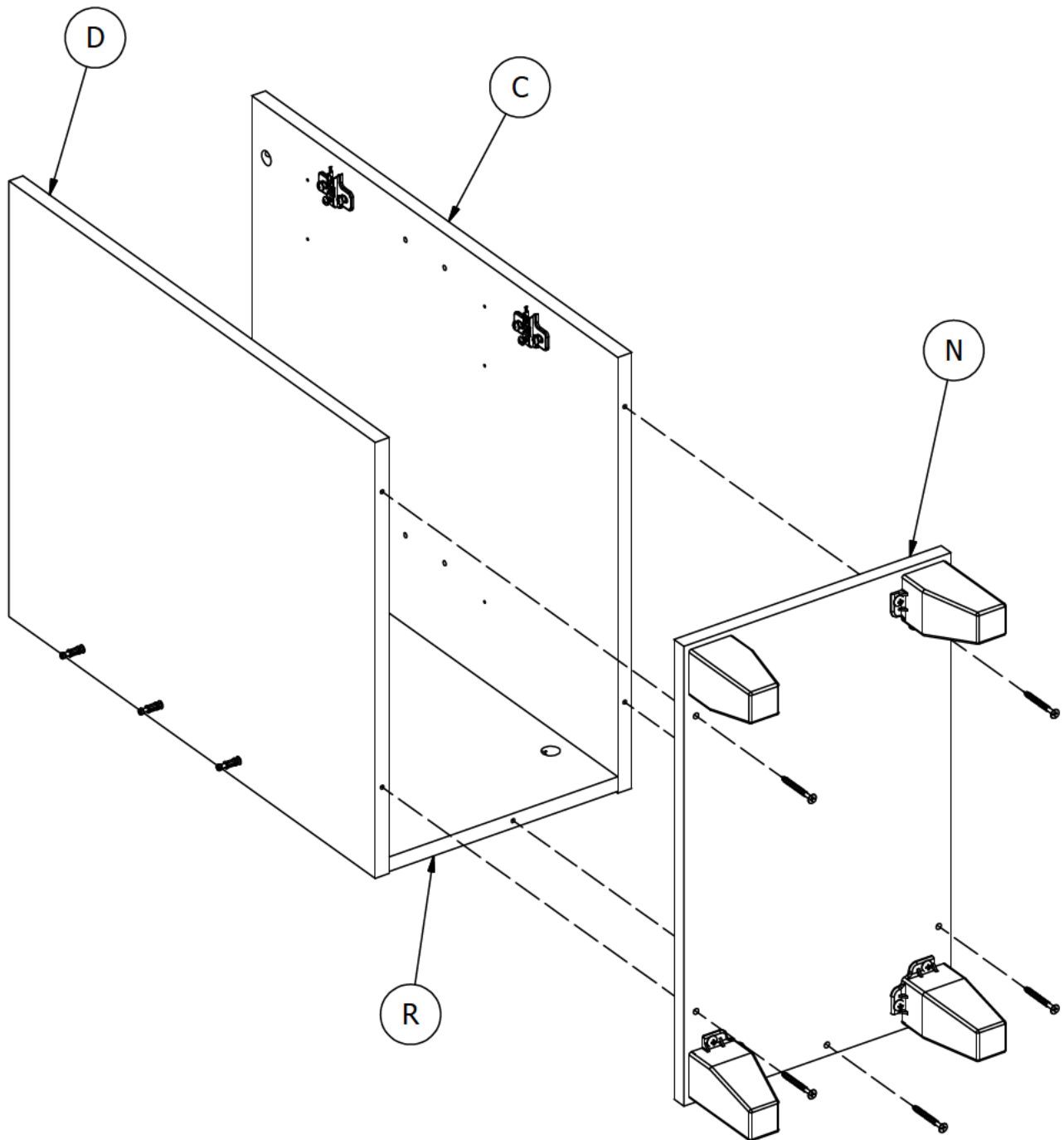
# Assemble Cabinet

H23491




[ 5 ]

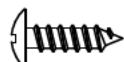
#10 x 2"

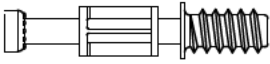


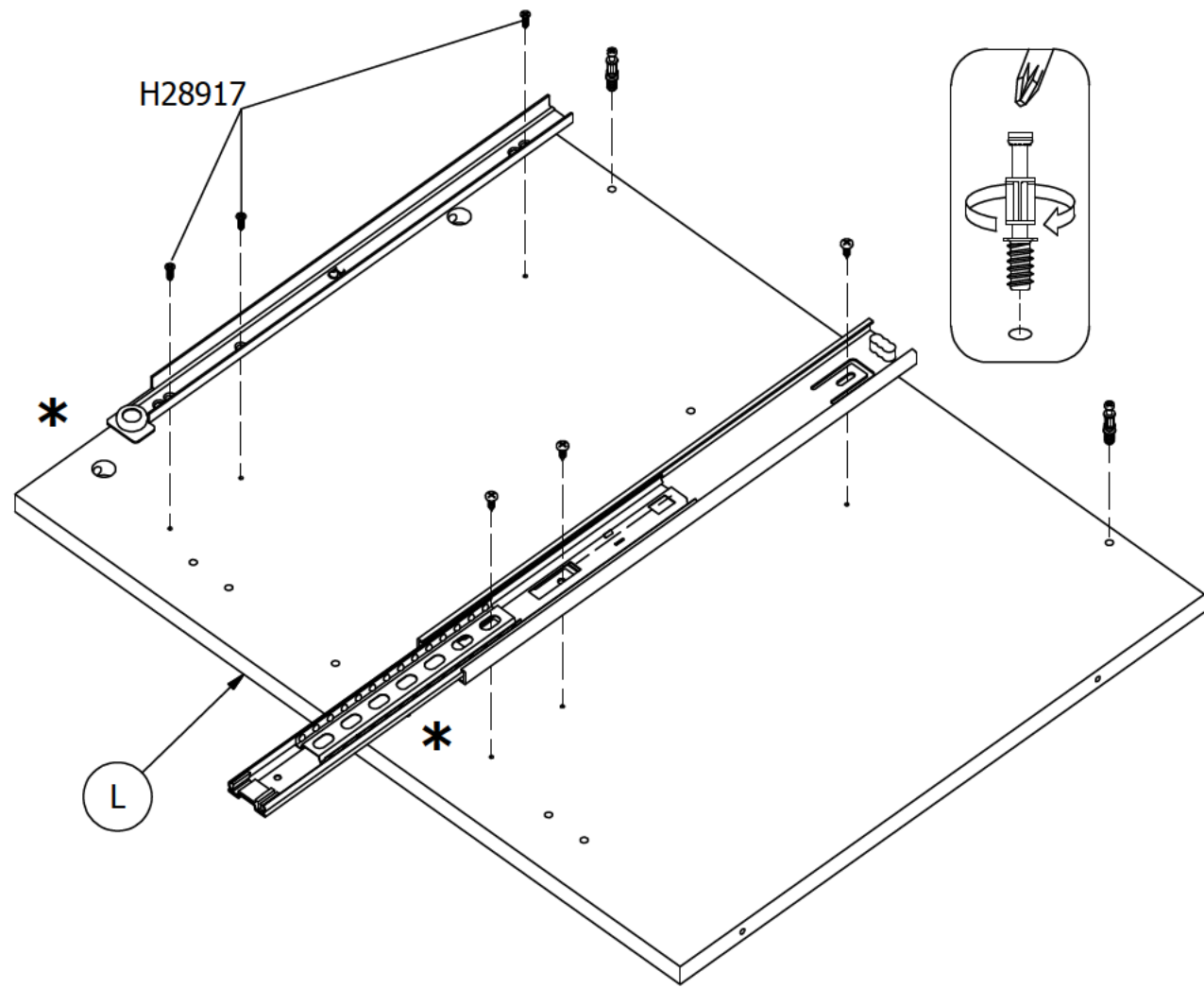
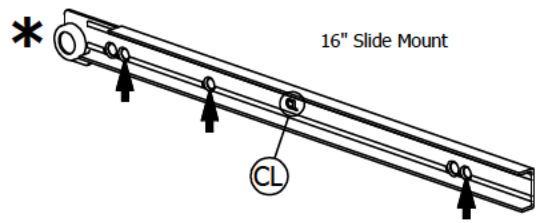
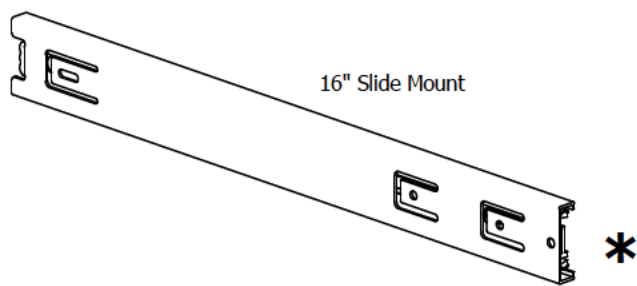
# STEP 30

# Prepare Cabinet Sides

H28917  [ 3 ]  
#6 x 1/2" Silver


H101725  [ 3 ]  
#6 x 1/2"


H72988  [ 2 ]  
KD Bolt

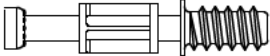


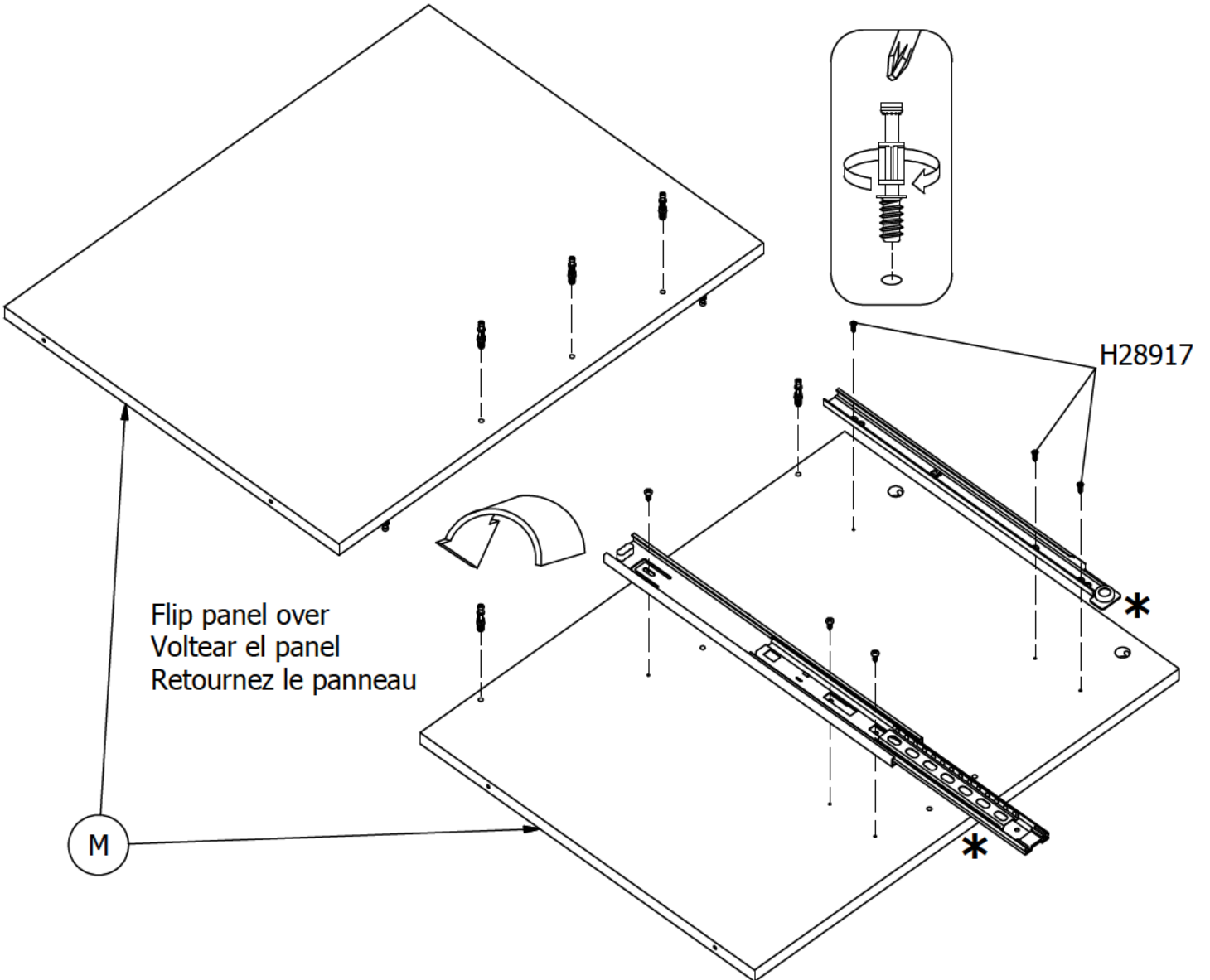
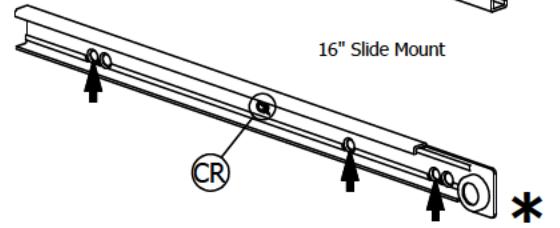
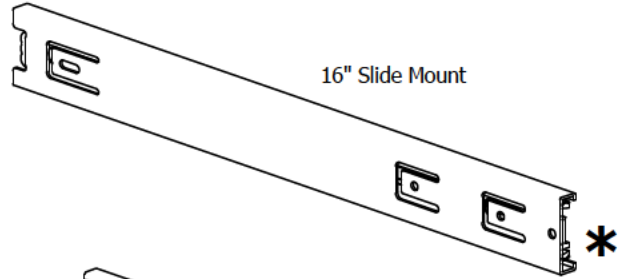
# STEP 31

# Prepare Cabinet Sides

H28917  [ 3 ]  
#6 x 1/2" Silver

H101725  [ 3 ]  
#6 x 1/2"

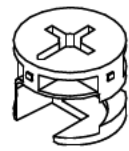
H72988  [ 5 ]  
KD Bolt



# STEP 32

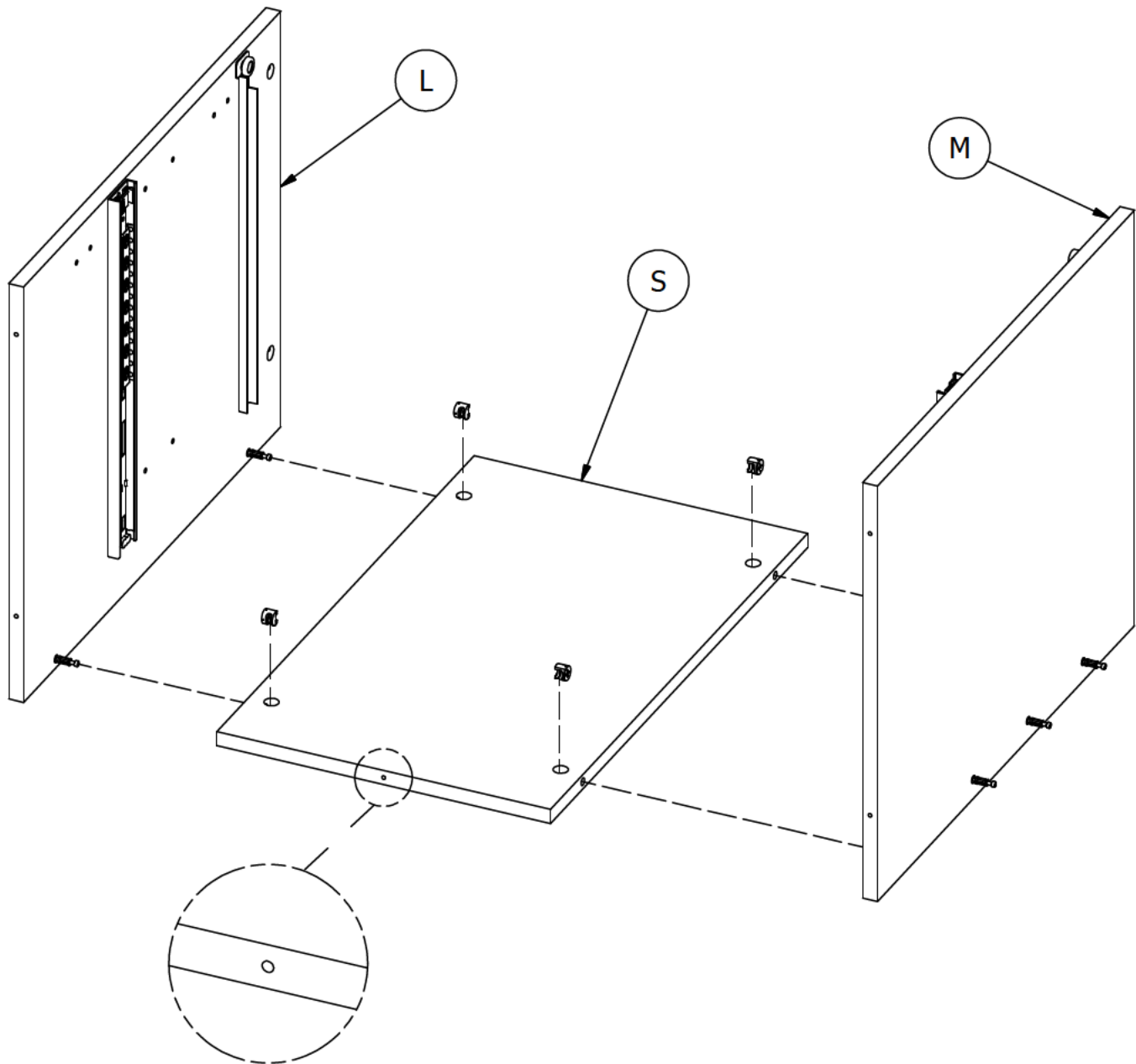
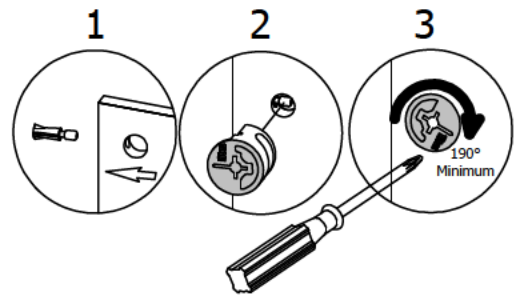
# Assemble Cabinet

H71659



[ 4 ]

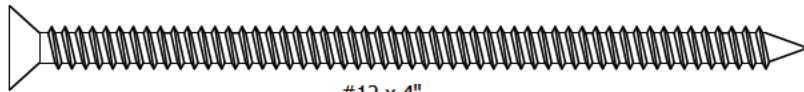
KD Cam



# STEP 33

# Assemble Cabinet Base

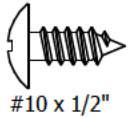
H143460



[ 4 ]

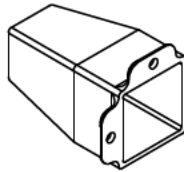
#12 x 4"

H35251



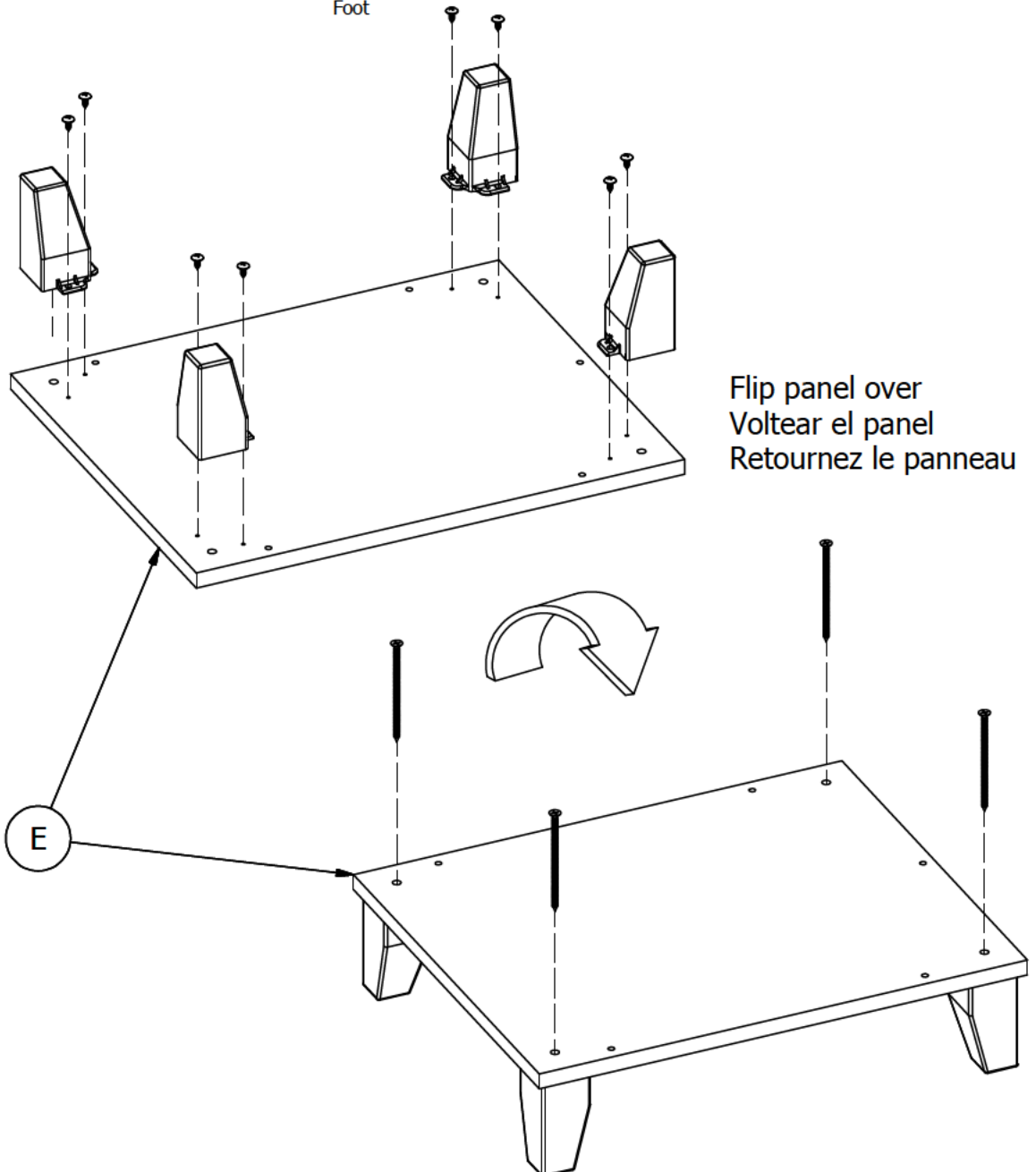
[ 8 ]

#10 x 1/2"



[ 4 ]

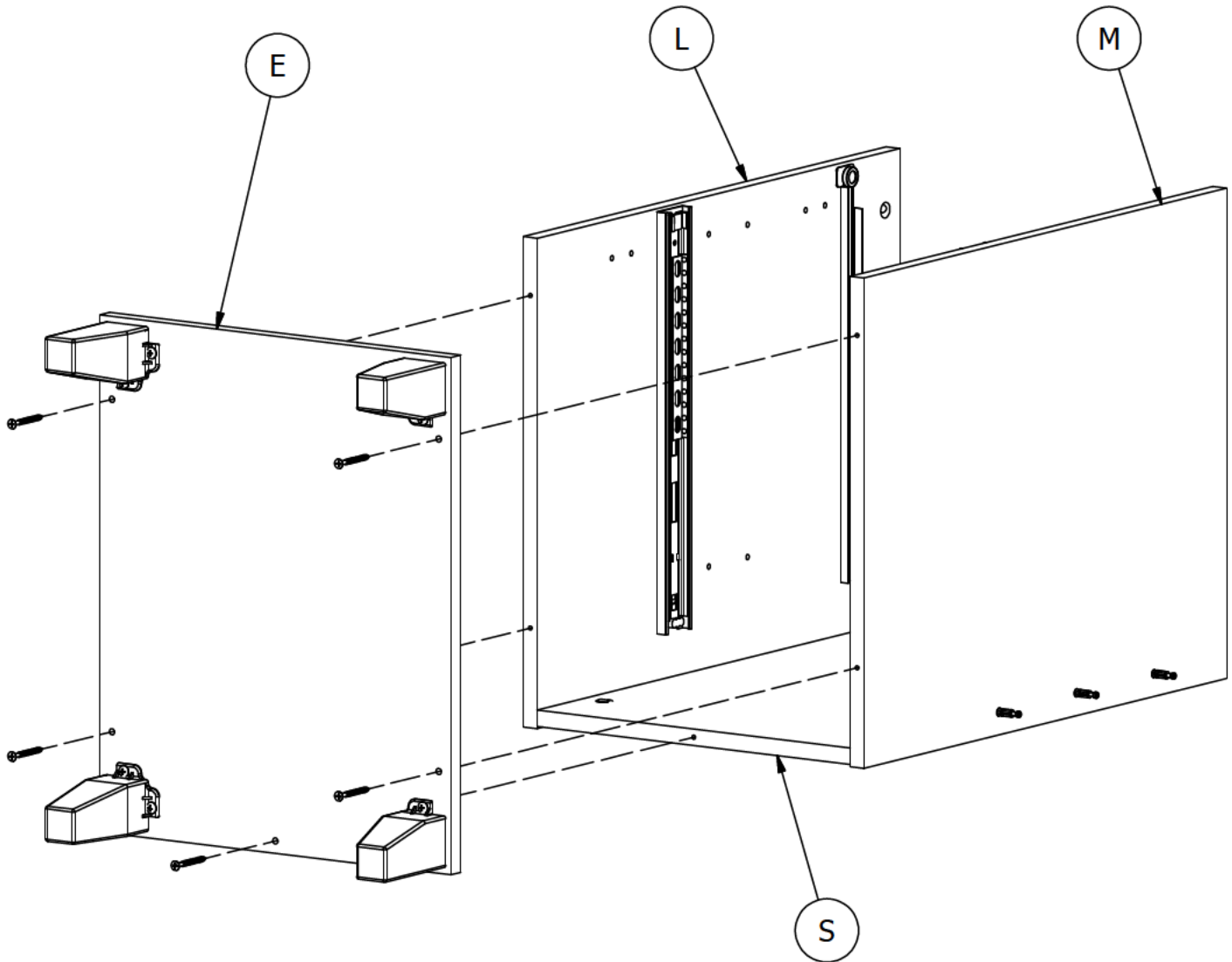
Foot



# STEP 34

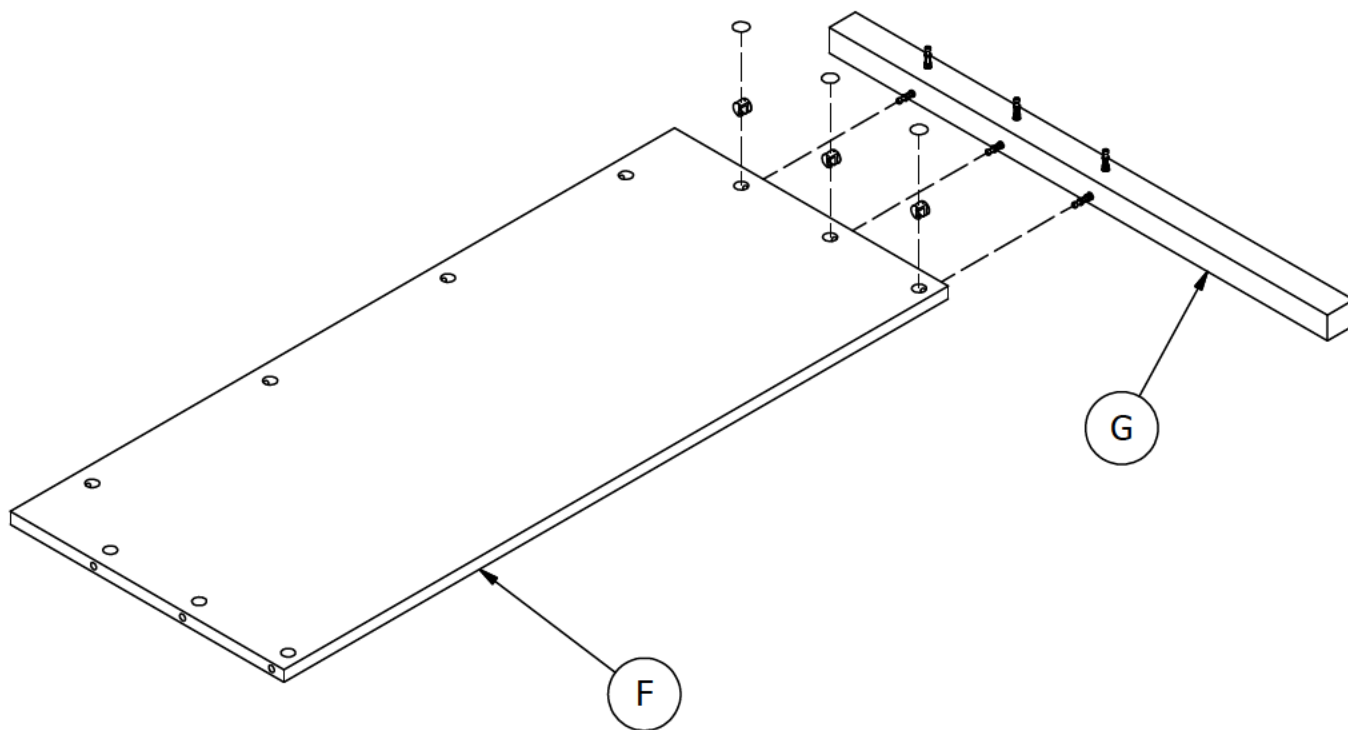
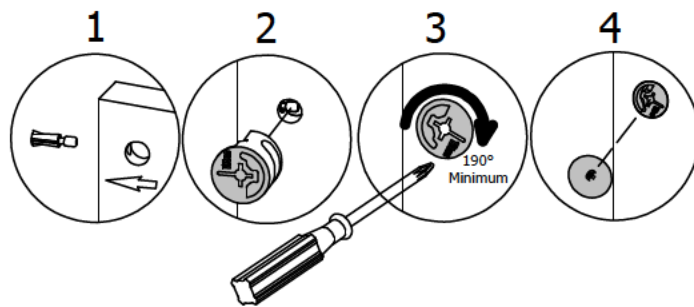
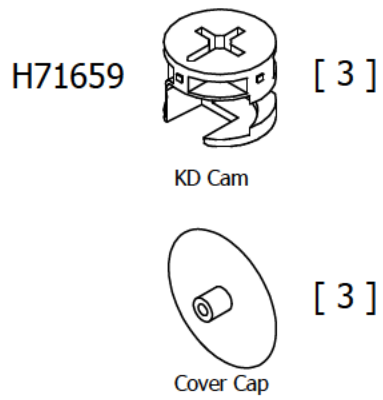
# Assemble Cabinet

H23491 [ 5 ]  
#10 x 2"



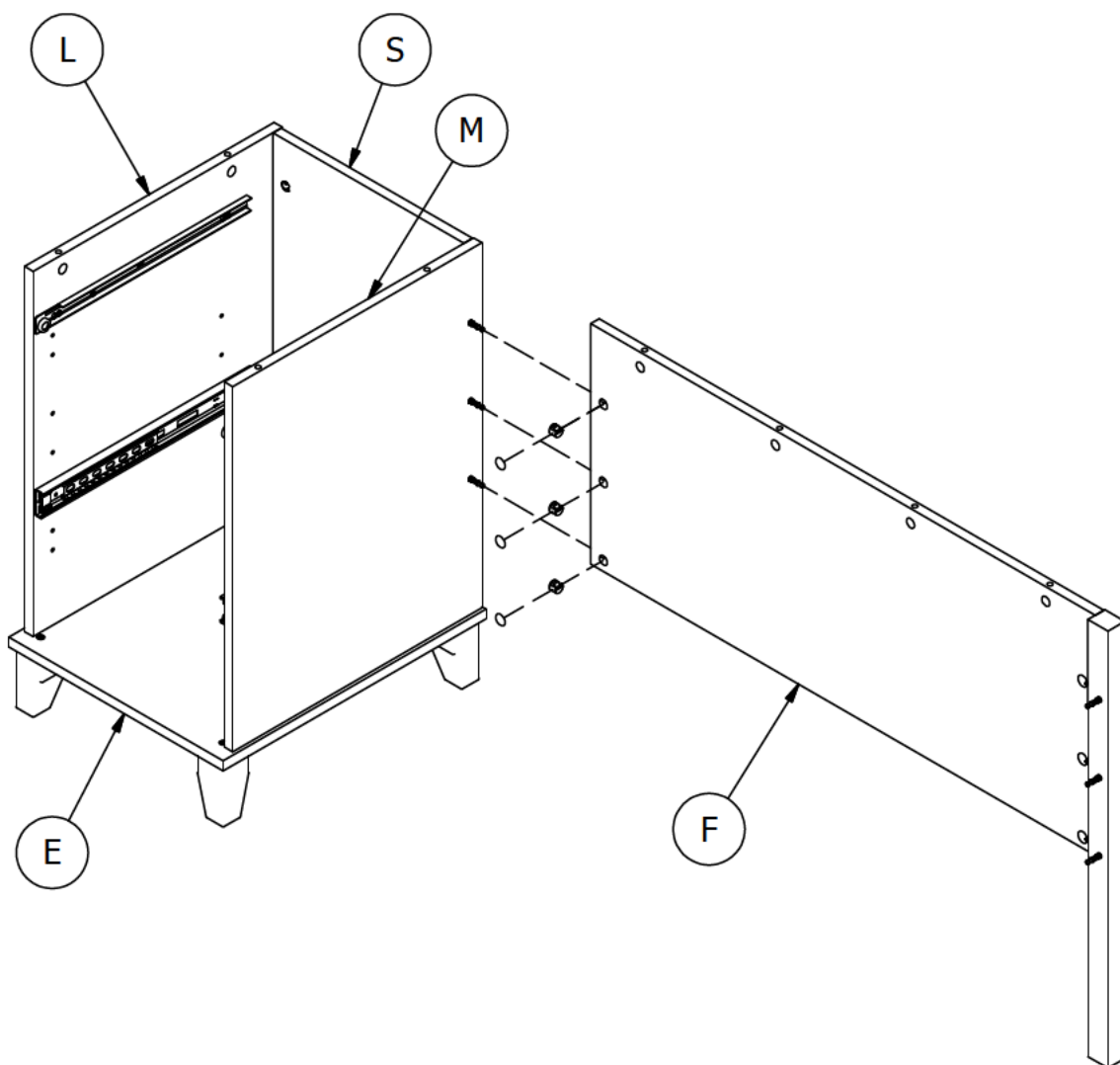
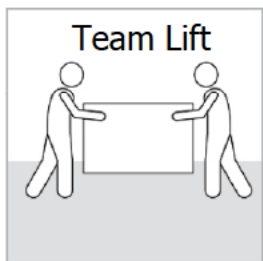
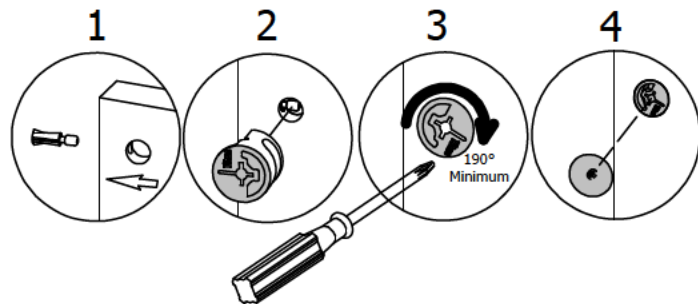
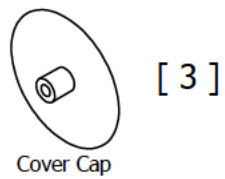
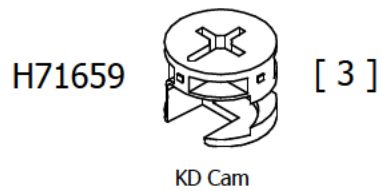
# STEP 35

# Assemble Modesty Panel



# STEP 36

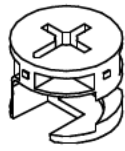
# Assemble Modesty Panel to Cabinet



# STEP 37

## Assemble Modesty Panel to Cabinet

H71659 [ 6 ]

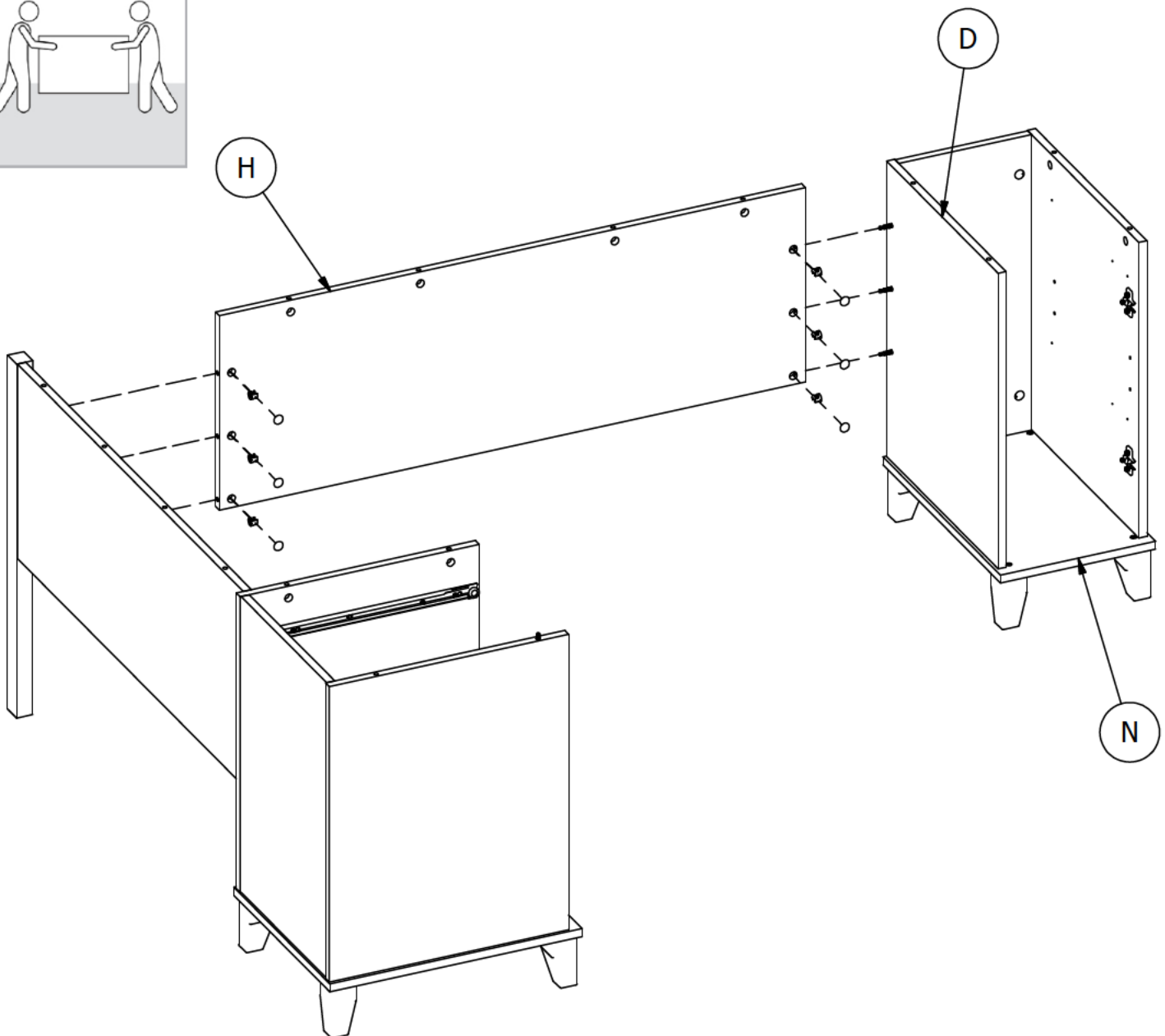
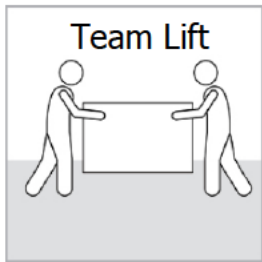
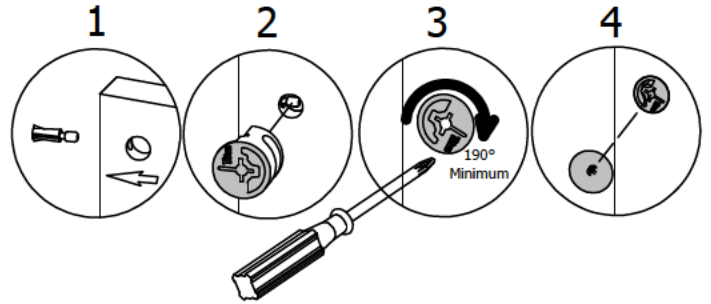


KD Cam

[ 6 ]



Cover Cap



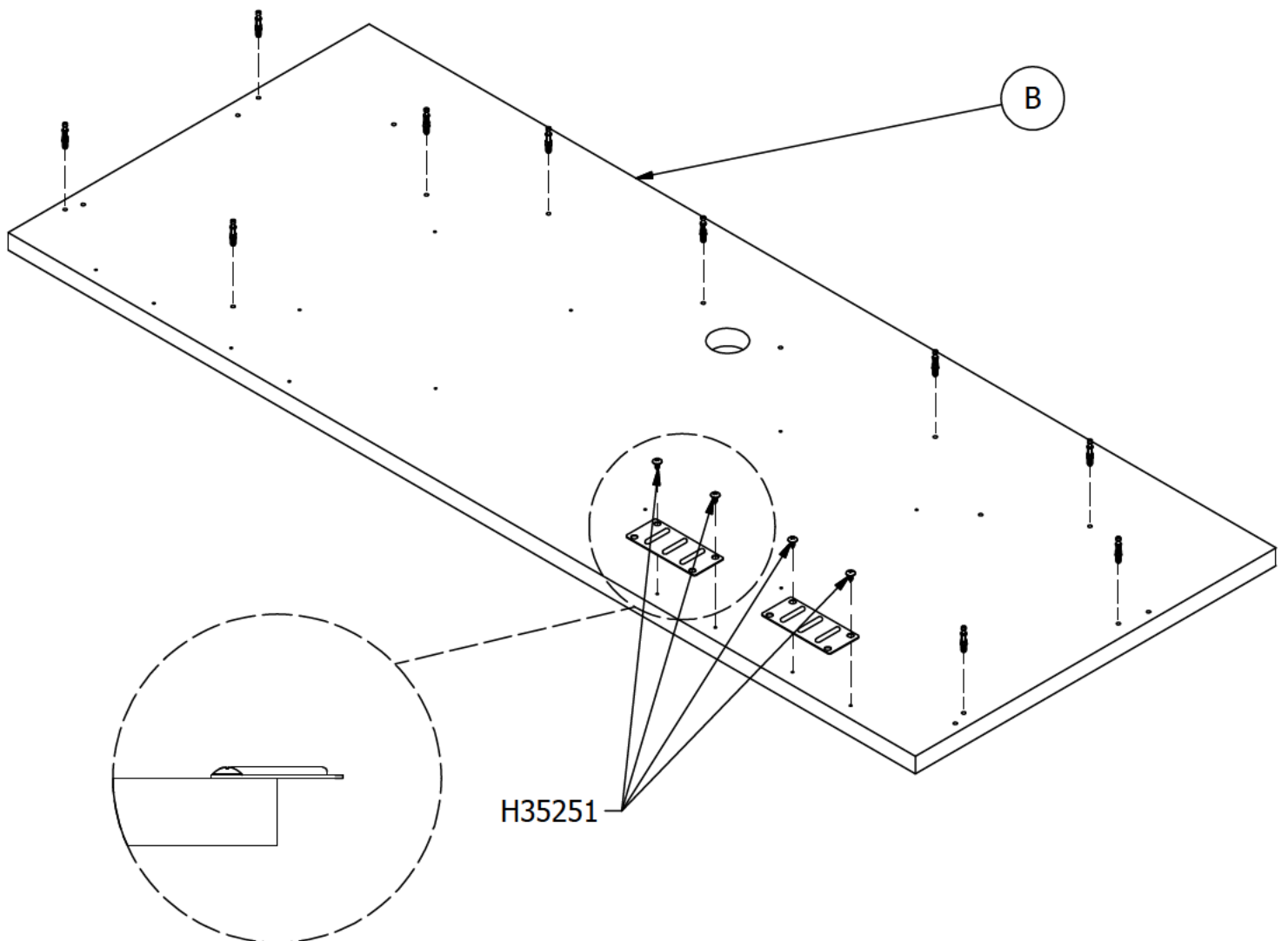
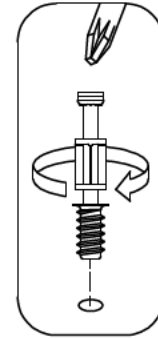
# STEP 38

# Prepare Work Surface

H72988 [ 10 ]  
KD Bolt

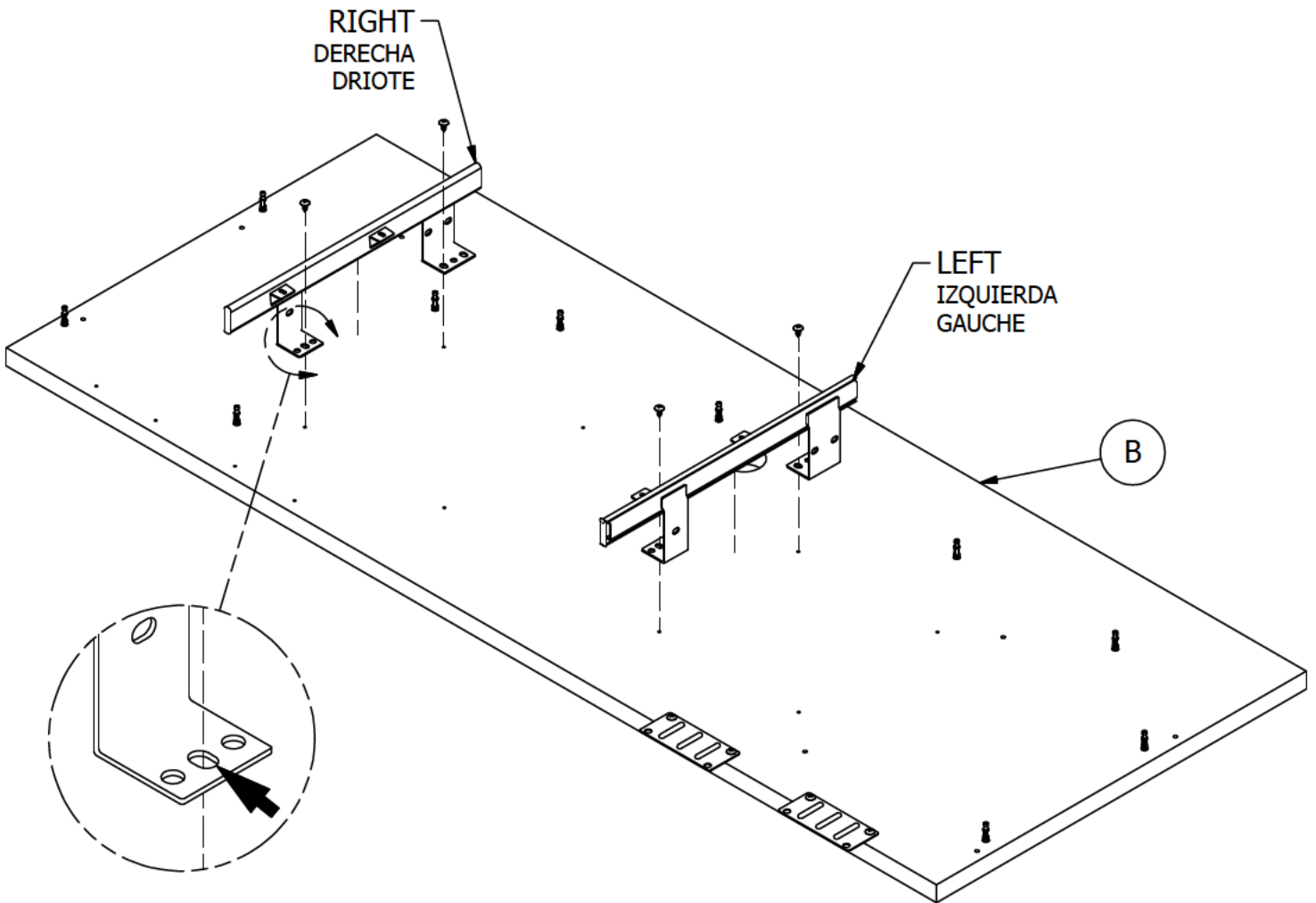
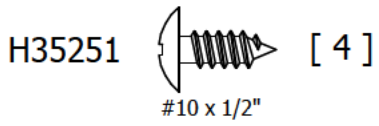
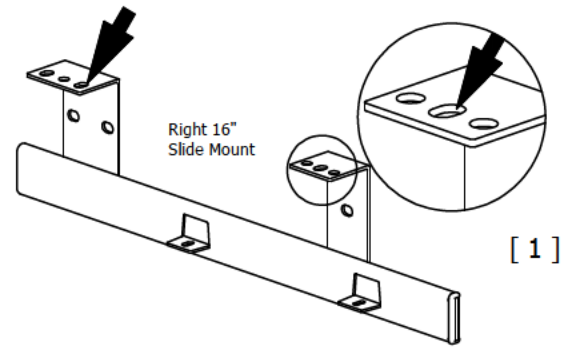
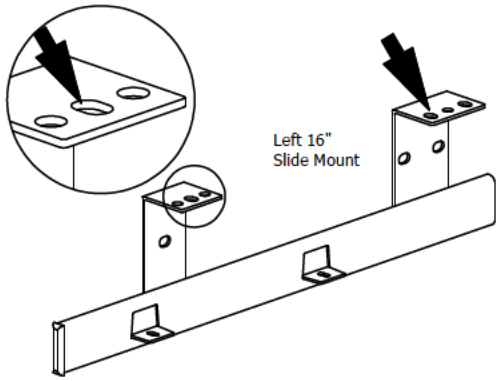
H35251 [ 4 ]  
#10 x 1/2"

H39922 [ 2 ]  
Strap



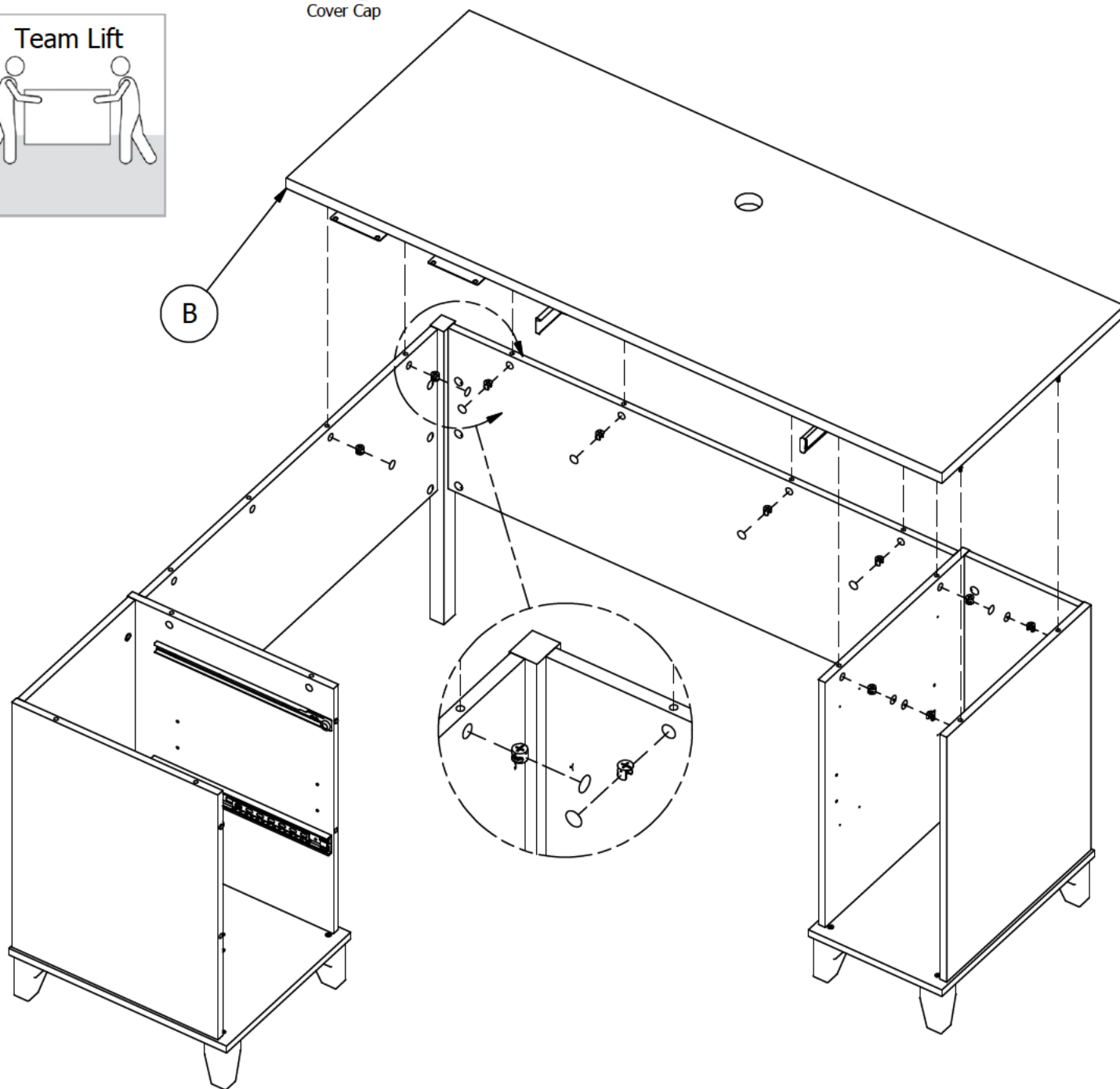
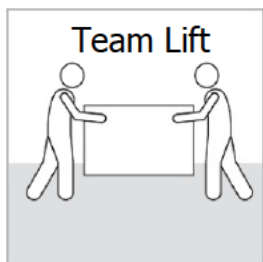
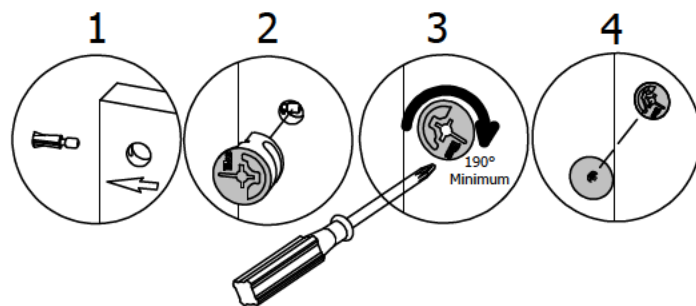
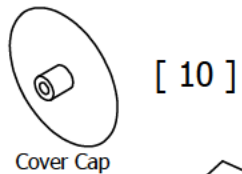
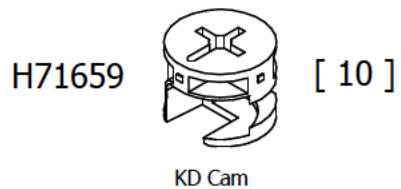
# STEP 39

# Prepare Work Surface



# STEP 40

# Assemble Work Surface

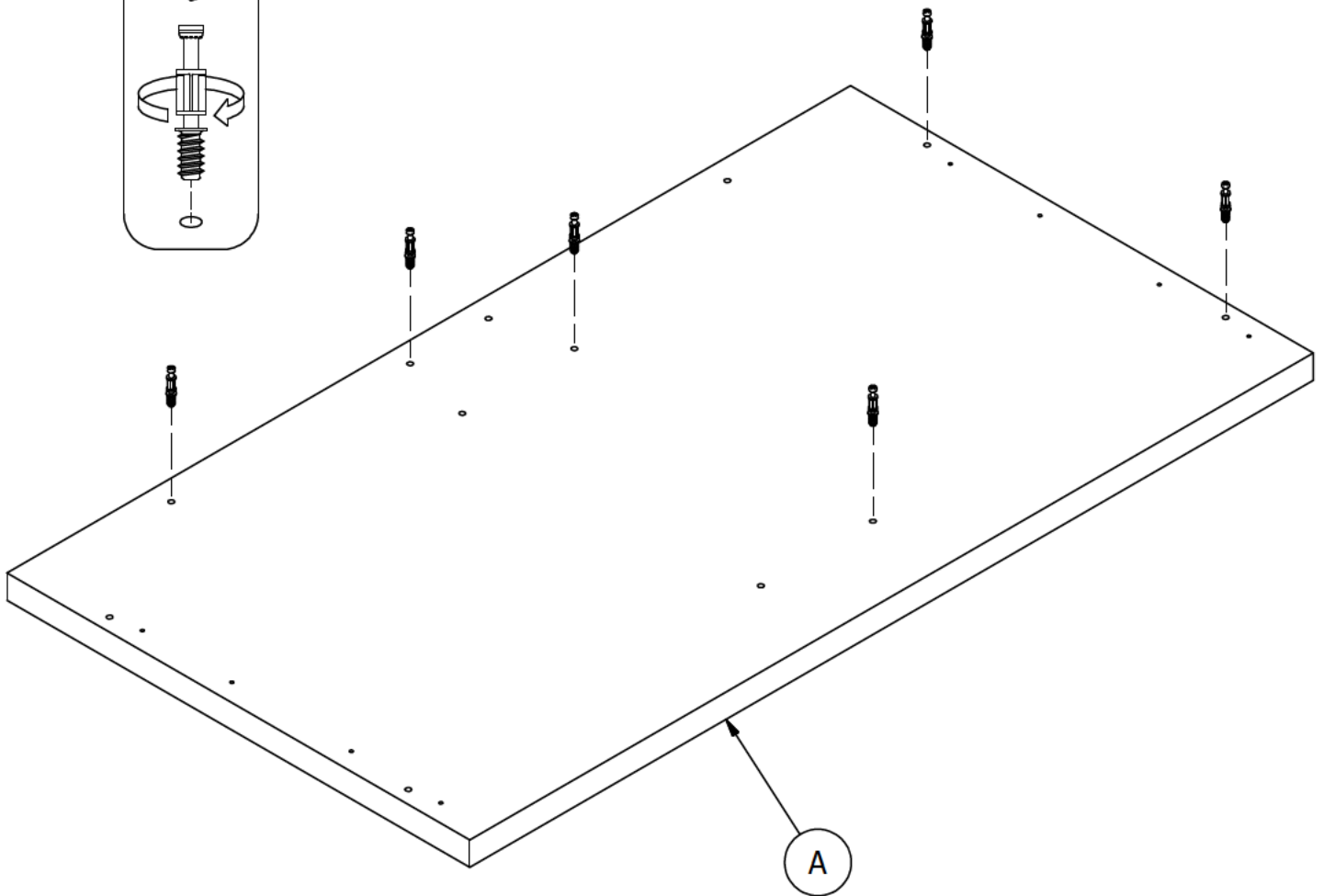
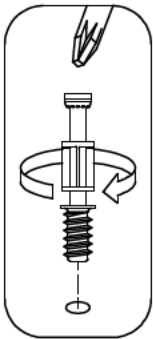


# STEP 41

# Prepare Work Surface

A187451G

H72988 [ 6 ]  
KD Bolt



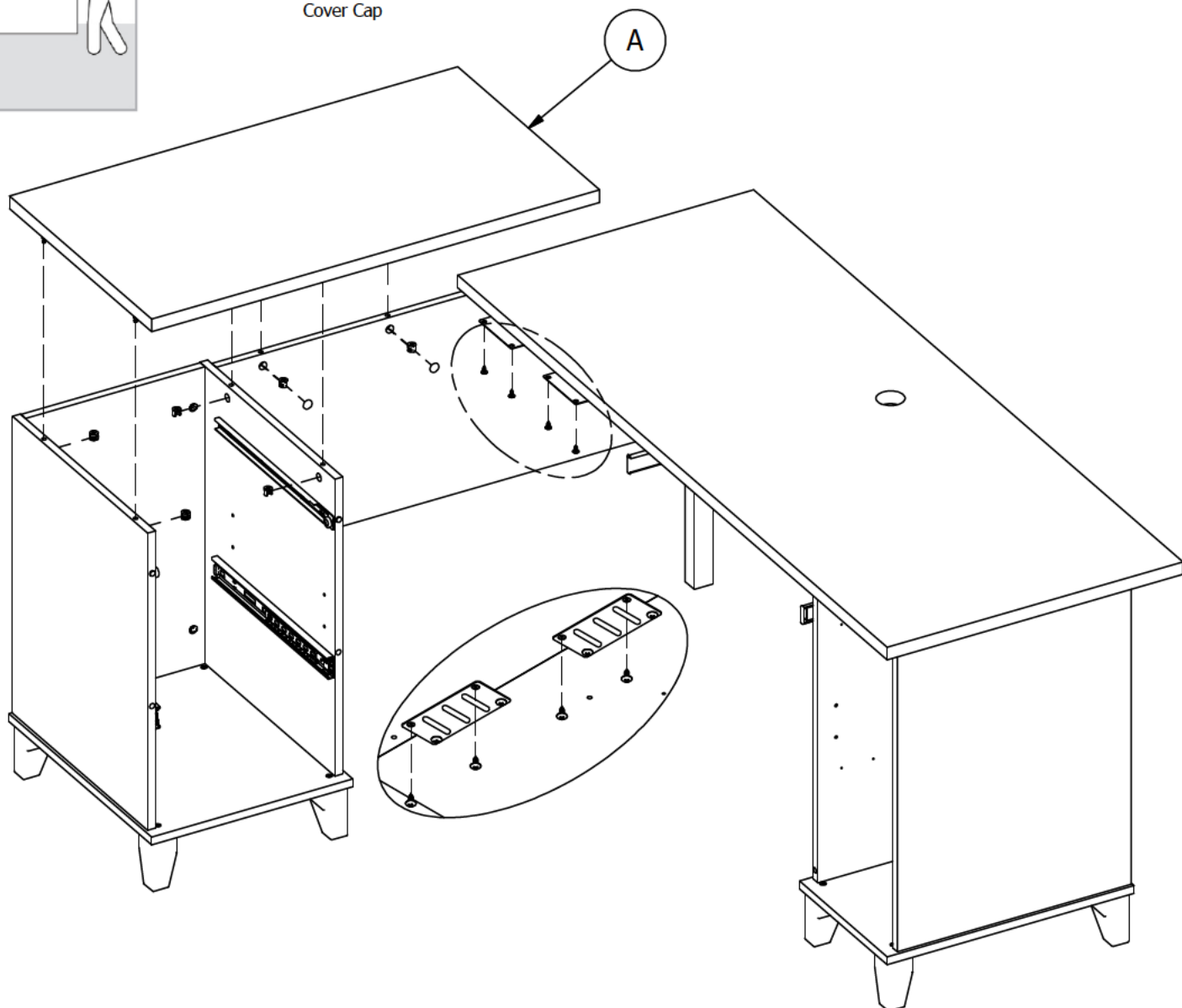
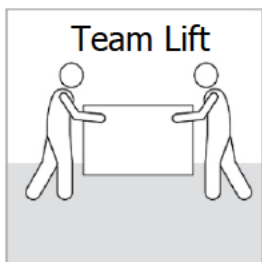
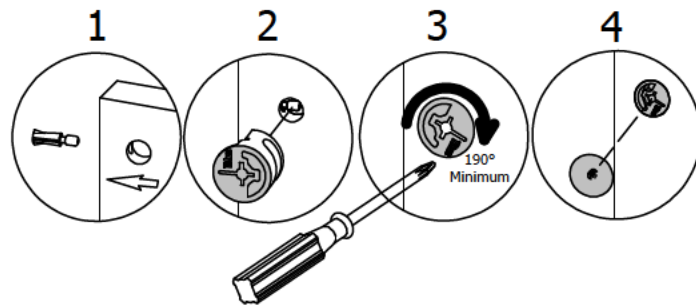
# STEP 42

# Assemble Work Surface

H71659 [ 6 ]  
KD Cam

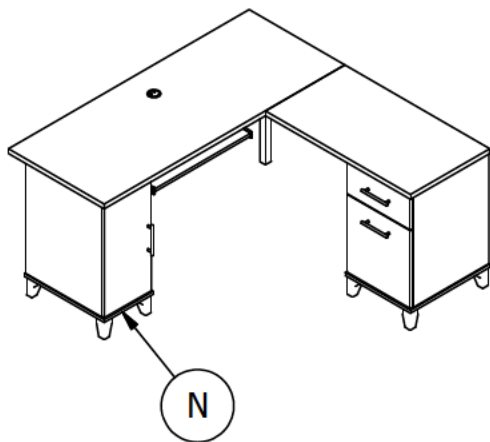
H35251 [ 4 ]  
#10 x 1/2"

[ 2 ]  
Cover Cap

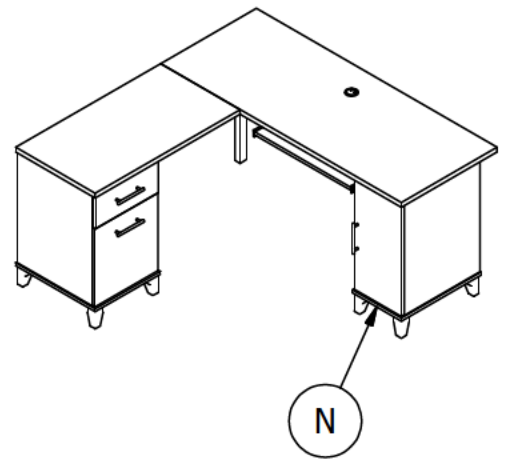


# STEP 43

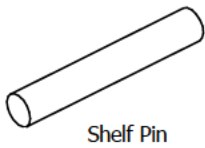
# Assemble Adjustable Shelf



Or



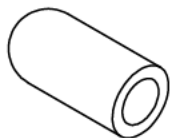
H23604



[ 4 ]

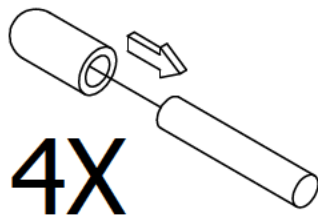
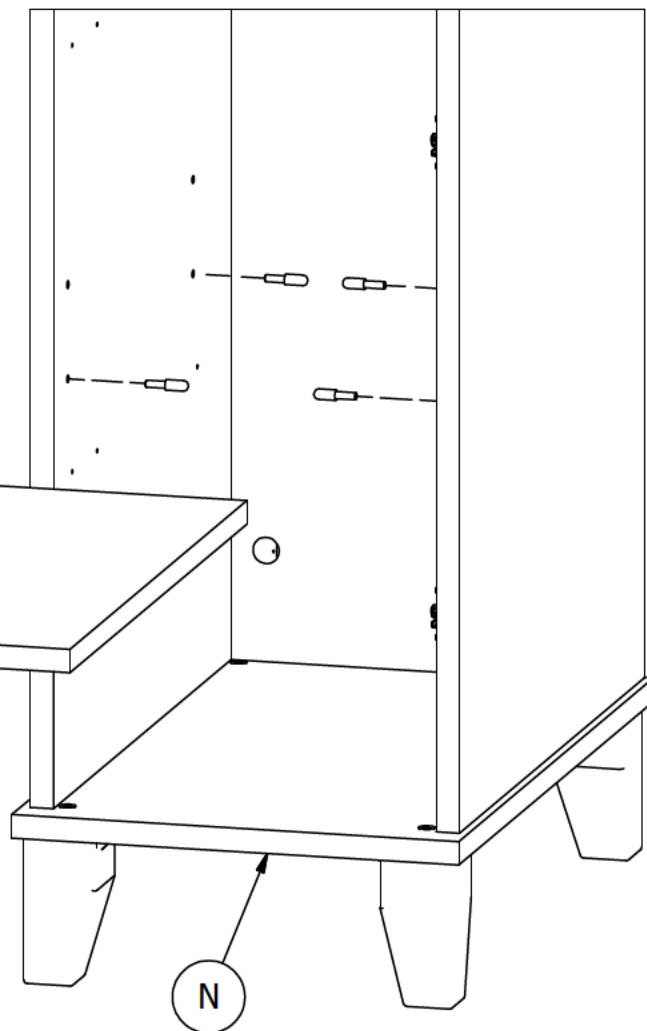
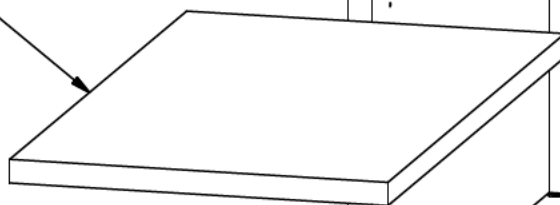
Shelf Pin

H126396



[ 4 ]

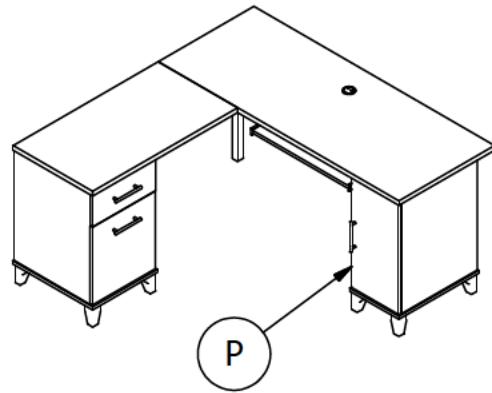
Shelf Pin Sleeve



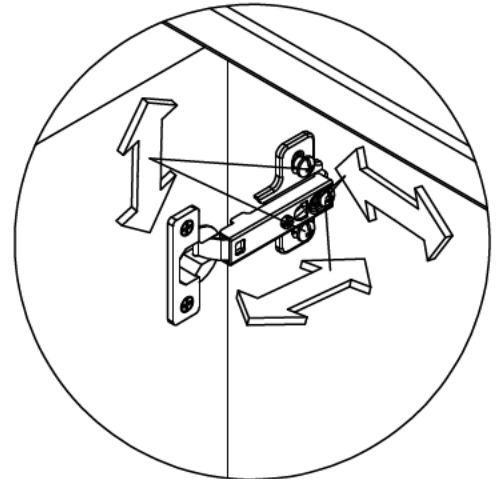
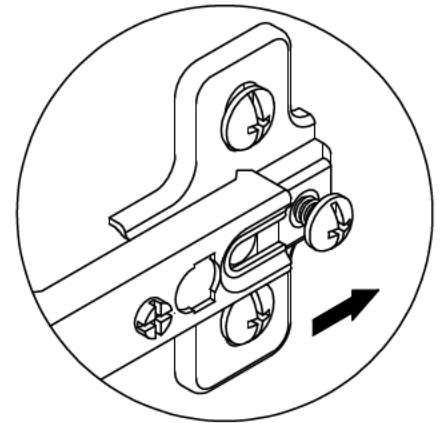
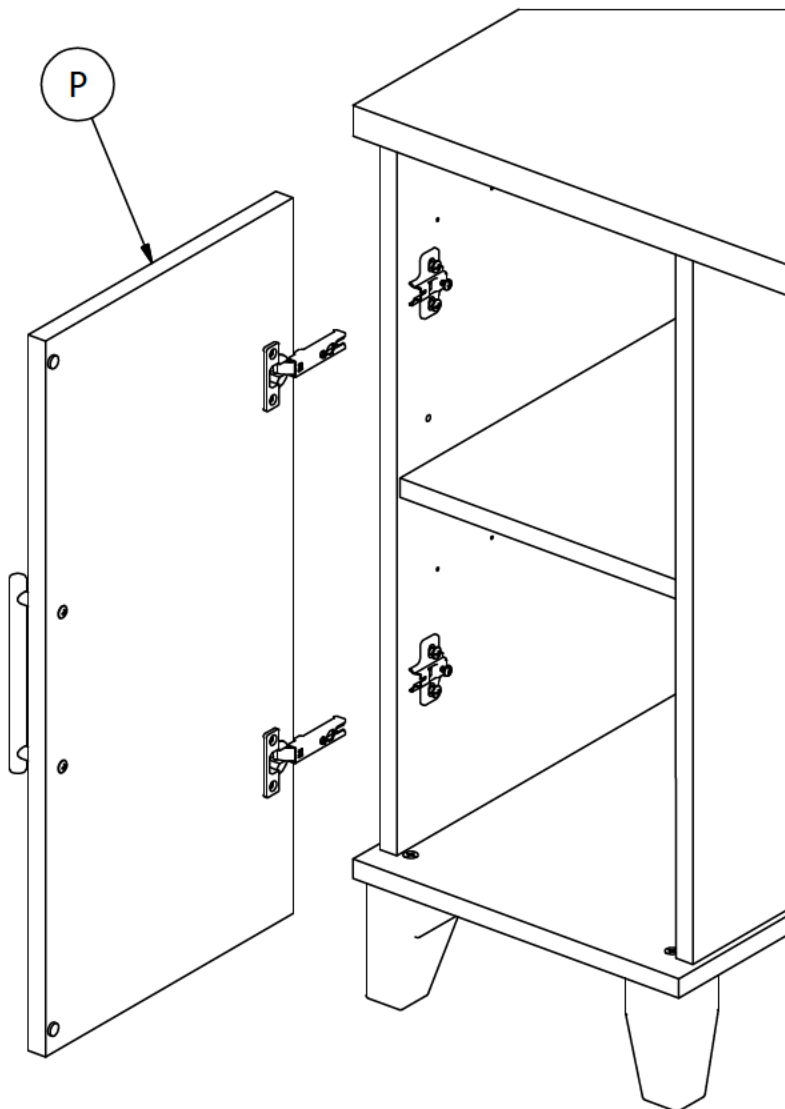
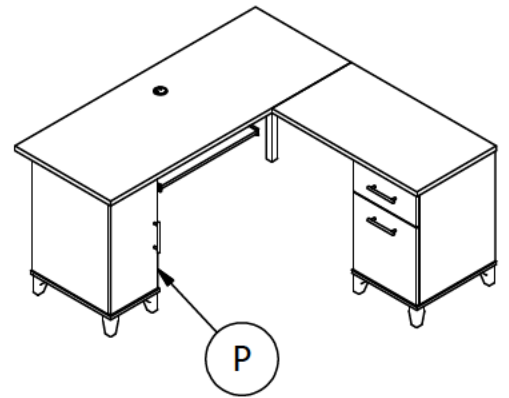
**4X**

# STEP 44

# Assemble and Adjust Door

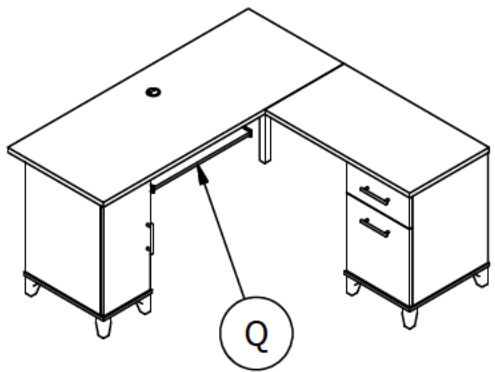


Or

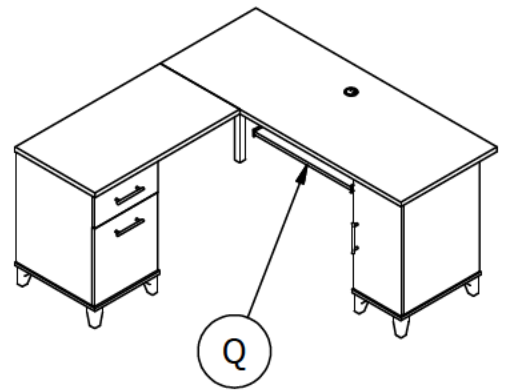


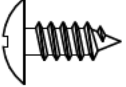
# STEP 45

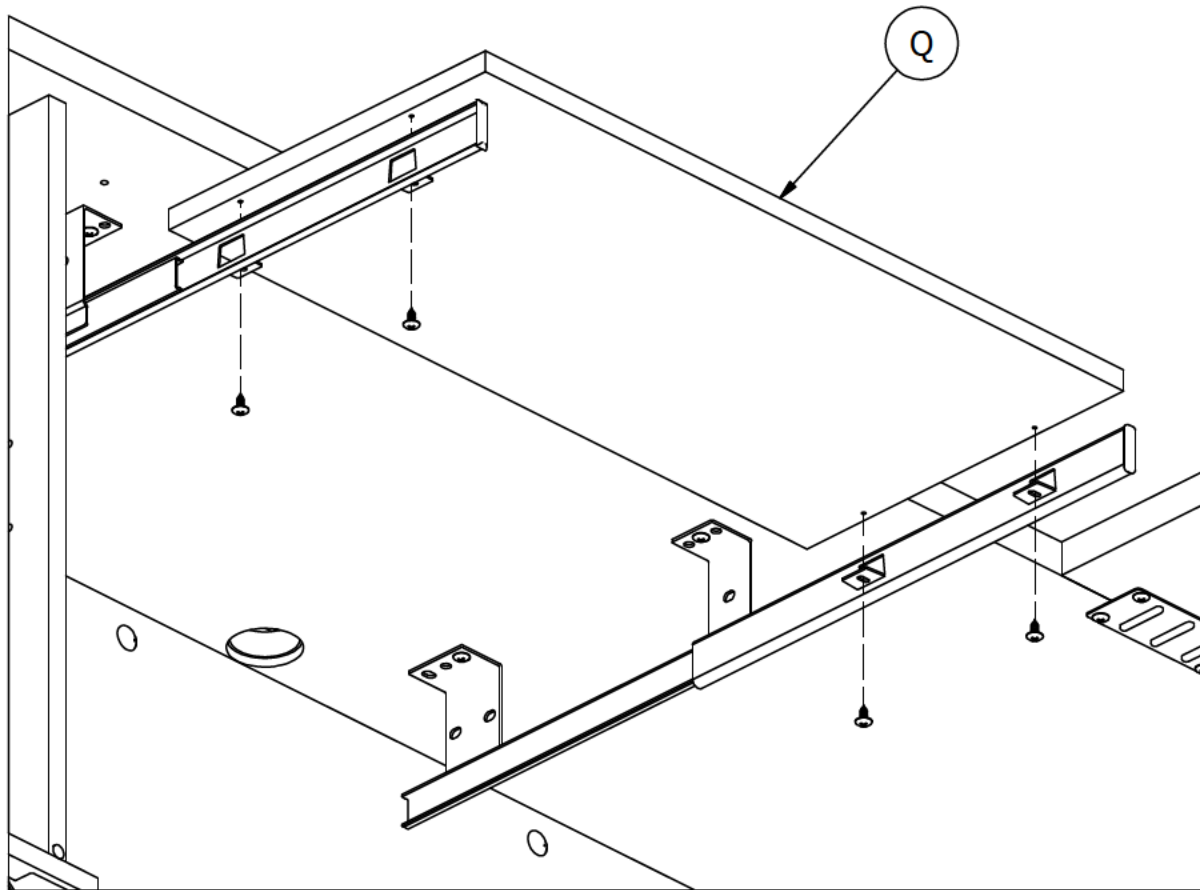
# Assemble Keyboard Shelf



Or

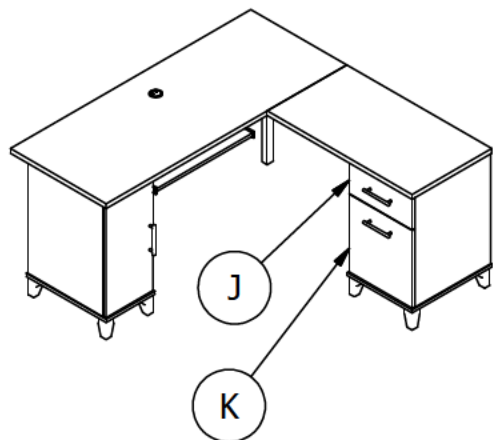


H35251  [ 4 ]  
#10 x 1/2"

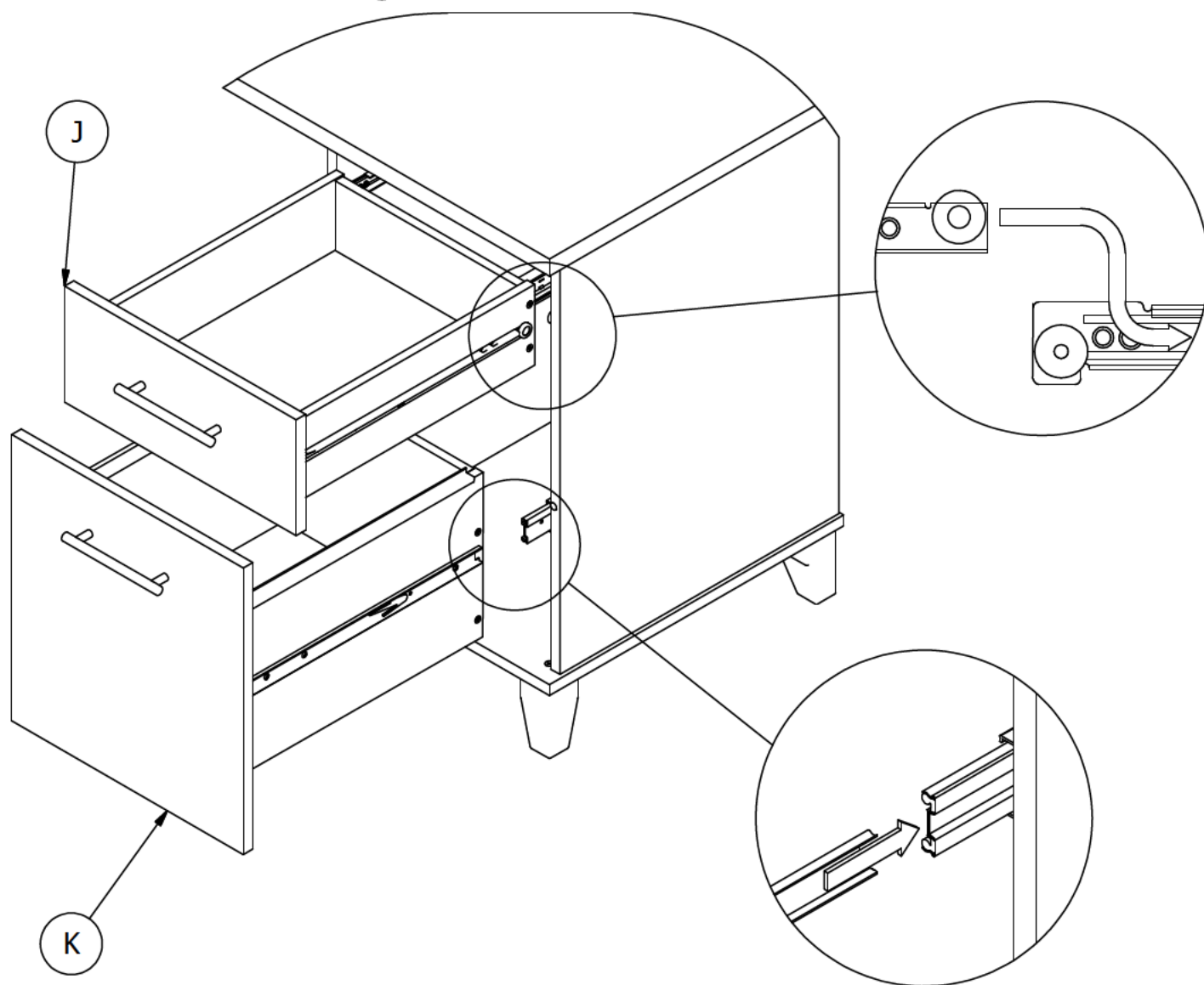
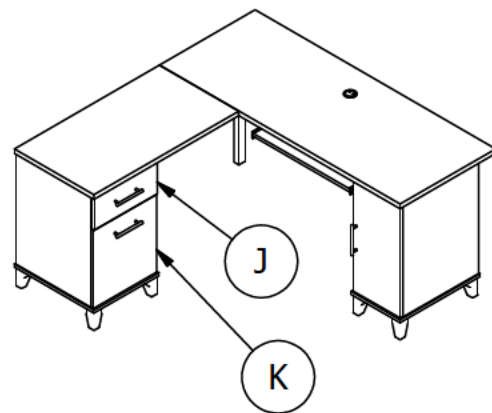


# STEP 46

# Insert Drawers



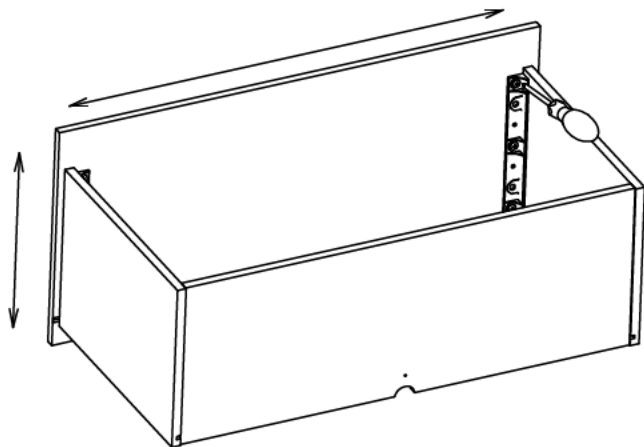
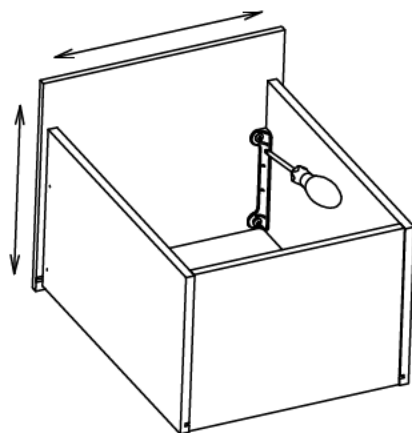
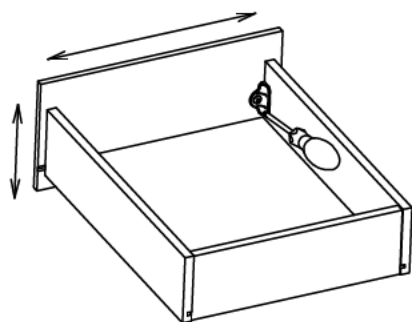
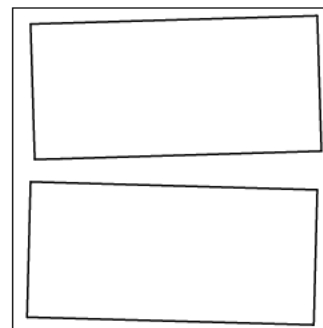
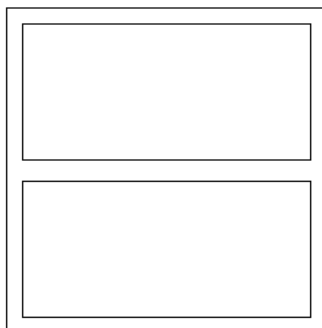
Or



# STEP 47

# Adjust Drawer Fronts

## DRAWER FRONT VIEW



REQUIRED TOOL: PHILLIPS SCREWDRIVER

HERRAMIENTA REQUERIDA: DESTORNILLADOR PHILLIPS  
OUTIL REQUIS: TOURNEVIS CRUCIFORME



1. LOOSEN SCREWS.
2. ADJUST DRAWER FRONTS.
3. TIGHTEN SCREWS.

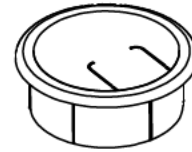
1. Afloje los tornillos
2. Ajustar frentes de cajón
3. Apriete los tornillos

1. Desserrer les vis
2. Ajuster les façades des tiroirs
3. Serrer les vis

# STEP 48

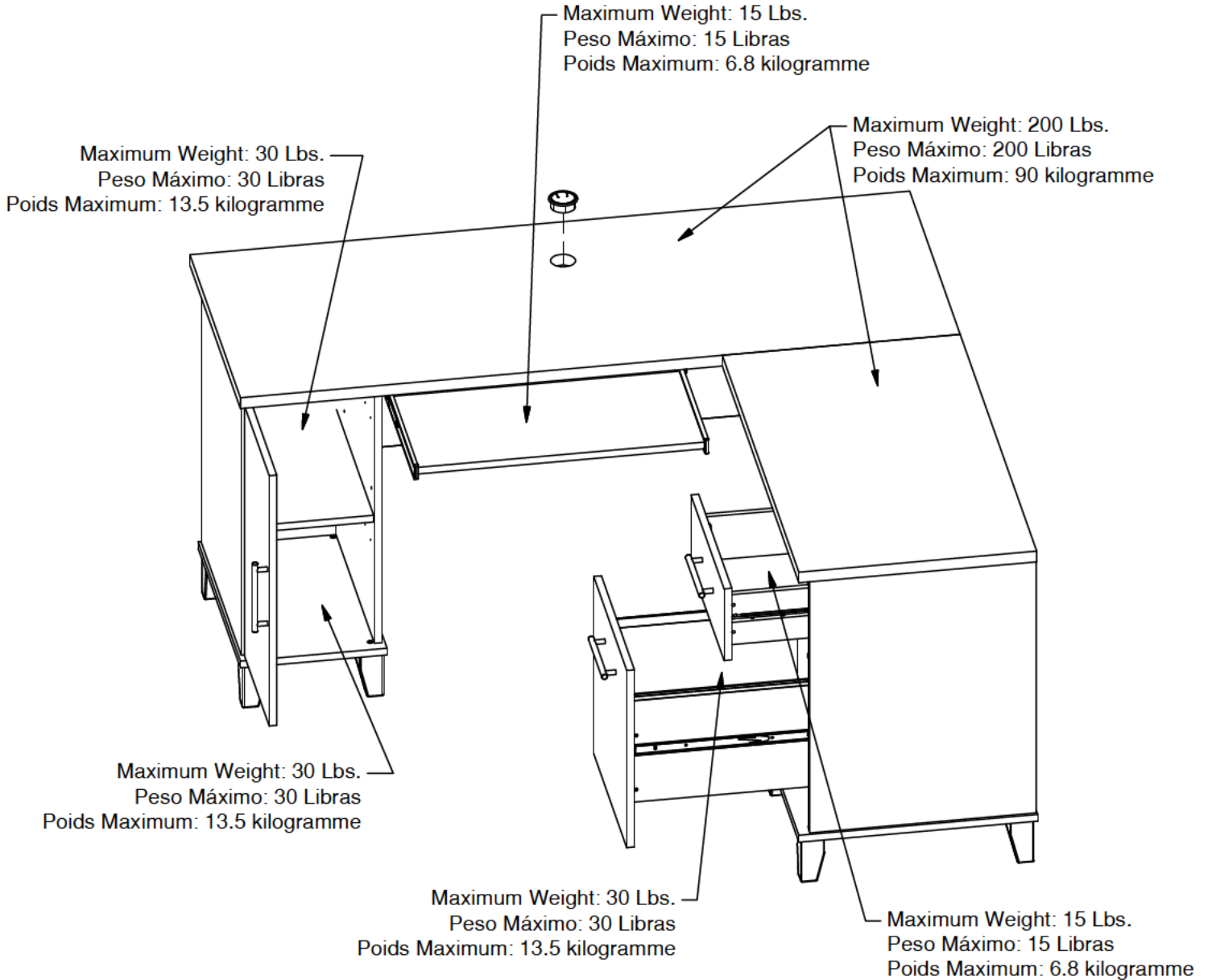
# Grommet Insert and Loading

Gently clean surfaces with a damp sponge eraser.



[ 1 ]

Grommet



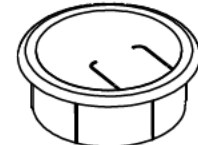
Congratulations! You are all done. If you have any questions or concerns, please call.

# PARTS LIST

## WC81030

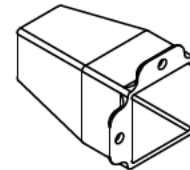
A	W200553	[ 1 ]	N	W196055	[ 1 ]
B	W200552	[ 1 ]	O	W200724	[ 1 ]
C	W196045	[ 1 ]	P	W193865	[ 1 ]
D	W196046	[ 1 ]	Q	W200559	[ 1 ]
E	W196047	[ 1 ]	R	W193867	[ 1 ]
F	W196085	[ 1 ]	S	W193868	[ 1 ]
G	W196049	[ 1 ]	T	W106489	[ 2 ]
H	W196084	[ 1 ]	U	W176195	[ 1 ]
J	W193859	[ 1 ]	V	W107681	[ 2 ]
K	W193860	[ 1 ]	W	W107685	[ 1 ]
L	W196053	[ 1 ]	X	W87410	[ 2 ]
M	w196054	[ 1 ]			

H195624 [ 1 ]



Grommet

H193807 [ 8 ]



Foot

H196000 [ 3 ]



Handle

H73619 [ 28 ]

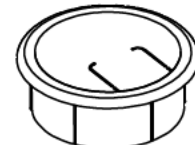


Cover Cap

## WC81130

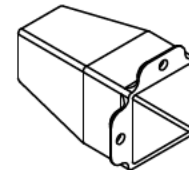
A	W200498	[ 1 ]	N	W200467	[ 1 ]
B	W200495	[ 1 ]	O	W200468	[ 1 ]
C	W200457	[ 1 ]	P	W200469	[ 1 ]
D	W200458	[ 1 ]	Q	W200472	[ 1 ]
E	W200459	[ 1 ]	R	W200470	[ 1 ]
F	W200497	[ 1 ]	S	W200471	[ 1 ]
G	W200461	[ 1 ]	T	W106489	[ 2 ]
H	W200496	[ 1 ]	U	W176195	[ 1 ]
J	W200463	[ 1 ]	V	W107681	[ 2 ]
K	W200464	[ 1 ]	W	W107685	[ 1 ]
L	W200465	[ 1 ]	X	W87410	[ 2 ]
M	W200466	[ 1 ]			

H151407 [ 1 ]



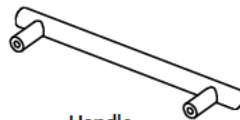
Grommet

H195789 [ 8 ]



Foot

H150001 [ 3 ]



Handle

H193368 [ 28 ]

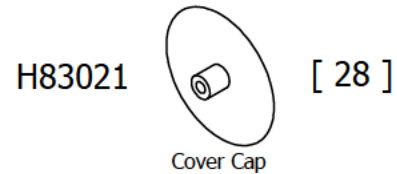
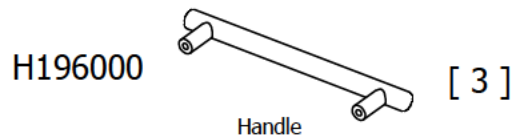
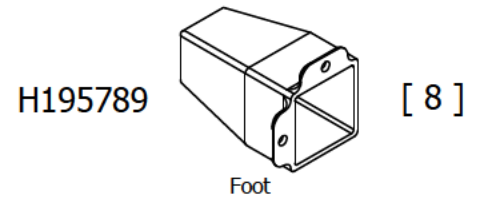
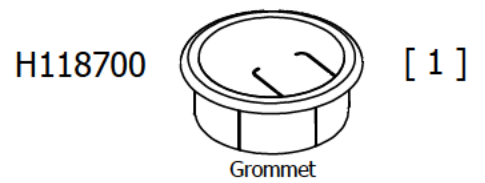


Cover Cap

# PARTS LIST

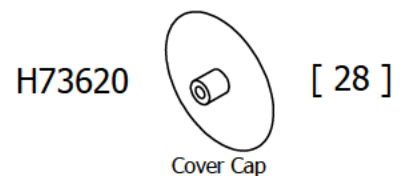
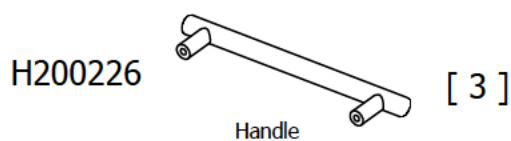
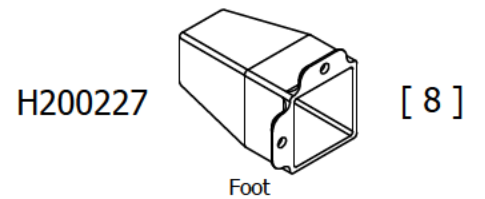
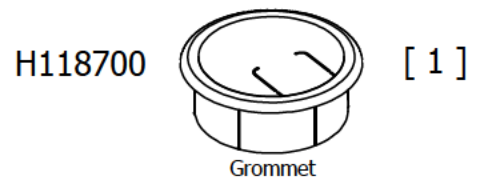
## WC81230

A	W195879	[ 1 ]	N	W195848	[ 1 ]
B	W195876	[ 1 ]	O	W195849	[ 1 ]
C	W195838	[ 1 ]	P	W195850	[ 1 ]
D	W195839	[ 1 ]	Q	W195853	[ 1 ]
E	W195840	[ 1 ]	R	W195851	[ 1 ]
F	W195878	[ 1 ]	S	W195852	[ 1 ]
G	W195842	[ 1 ]	T	W106489	[ 2 ]
H	W195877	[ 1 ]	U	W176195	[ 1 ]
J	W195844	[ 1 ]	V	W107681	[ 2 ]
K	W195845	[ 1 ]	W	W107685	[ 1 ]
L	W195846	[ 1 ]	X	W87410	[ 2 ]
M	W195847	[ 1 ]			



## WC81330

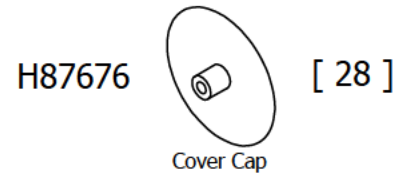
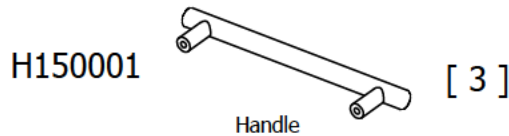
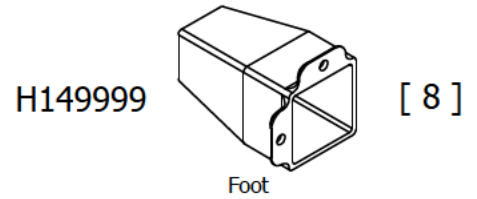
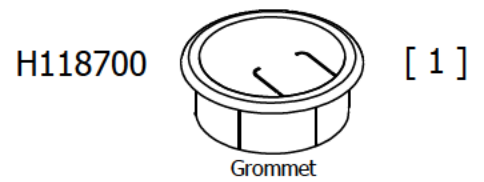
A	W200404	[ 1 ]	N	W200373	[ 1 ]
B	W200401	[ 1 ]	O	W200374	[ 1 ]
C	W200363	[ 1 ]	P	W200375	[ 1 ]
D	W200364	[ 1 ]	Q	W200378	[ 1 ]
E	W200365	[ 1 ]	R	W200376	[ 1 ]
F	W200403	[ 1 ]	S	W200377	[ 1 ]
G	W200367	[ 1 ]	T	W106489	[ 2 ]
H	W200402	[ 1 ]	U	W176195	[ 1 ]
J	W200369	[ 1 ]	V	W107681	[ 2 ]
K	W200370	[ 1 ]	W	W107685	[ 1 ]
L	W200371	[ 1 ]	X	W87410	[ 2 ]
M	W200372	[ 1 ]			



# PARTS LIST

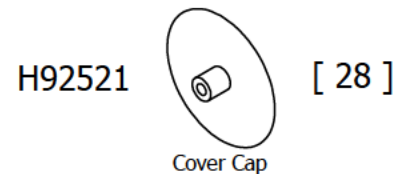
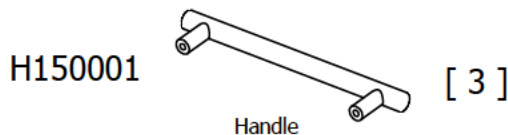
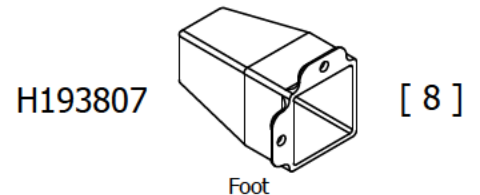
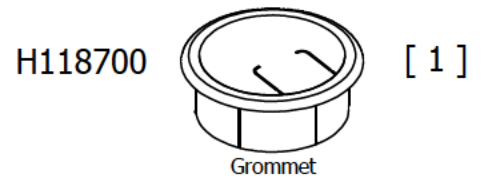
## WC81430C

A	W187442	[ 1 ]	N	W187372	[ 1 ]
B	W187439	[ 1 ]	O	W187373	[ 1 ]
C	W187362	[ 1 ]	P	W187374	[ 1 ]
D	W187363	[ 1 ]	Q	W195729	[ 1 ]
E	W187364	[ 1 ]	R	W187376	[ 1 ]
F	W187441	[ 1 ]	S	W187377	[ 1 ]
G	W187366	[ 1 ]	T	W106489	[ 2 ]
H	W187440	[ 1 ]	U	W176195	[ 1 ]
J	W187368	[ 1 ]	V	W107681	[ 2 ]
K	W187369	[ 1 ]	W	W107685	[ 1 ]
L	W187370	[ 1 ]	X	W87410	[ 2 ]
M	W187371	[ 1 ]			



## WC81530

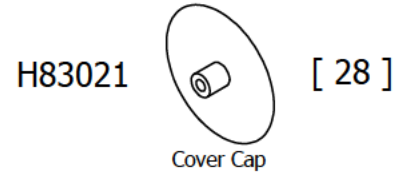
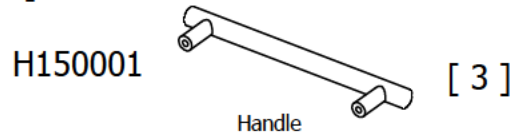
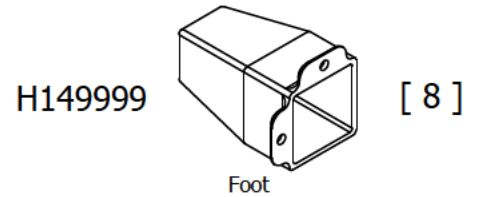
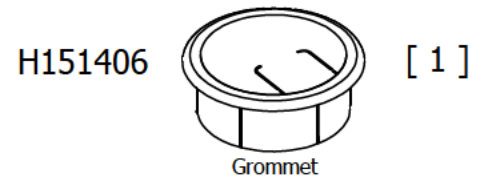
A	W193872	[ 1 ]	N	W193863	[ 1 ]
B	W193869	[ 1 ]	O	W193864	[ 1 ]
C	W193853	[ 1 ]	P	W193865	[ 1 ]
D	W193854	[ 1 ]	Q	W195730	[ 1 ]
E	W193855	[ 1 ]	R	W193867	[ 1 ]
F	W193871	[ 1 ]	S	W193868	[ 1 ]
G	W193857	[ 1 ]	T	W106489	[ 2 ]
H	W193870	[ 1 ]	U	W176195	[ 1 ]
J	W193859	[ 1 ]	V	W107681	[ 2 ]
K	W193860	[ 1 ]	W	W107685	[ 1 ]
L	W193861	[ 1 ]	X	W87410	[ 2 ]
M	W193862	[ 1 ]			



# PARTS LIST

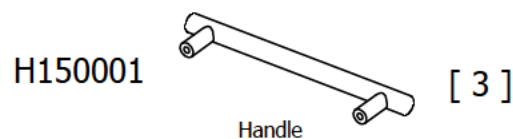
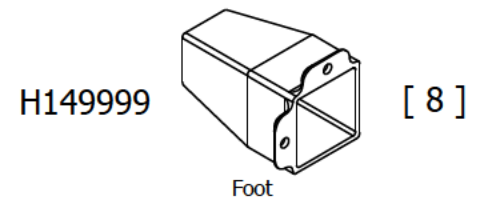
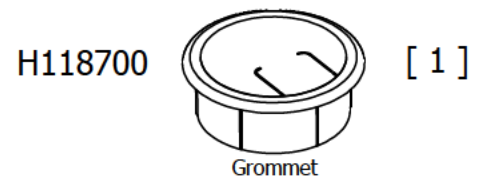
## WC81630

A	W186367	[ 1 ]	N	W186350	[ 1 ]
B	W186368	[ 1 ]	O	W186375	[ 1 ]
C	W186351	[ 1 ]	P	W186365	[ 1 ]
D	W186352	[ 1 ]	Q	W195731	[ 1 ]
E	W186353	[ 1 ]	R	W186363	[ 1 ]
F	W186369	[ 1 ]	S	W186364	[ 1 ]
G	W186354	[ 1 ]	T	W106489	[ 2 ]
H	W186370	[ 1 ]	U	W176195	[ 1 ]
J	W186355	[ 1 ]	V	W107681	[ 2 ]
K	W186356	[ 1 ]	W	W107685	[ 1 ]
L	W186357	[ 1 ]	X	W87410	[ 2 ]
M	W186358	[ 1 ]			



## WC81730C

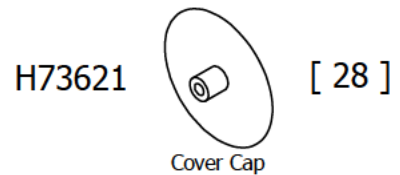
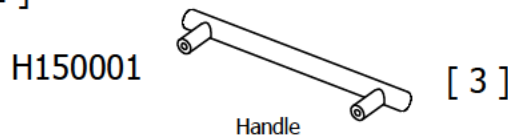
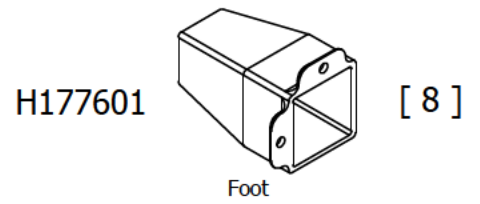
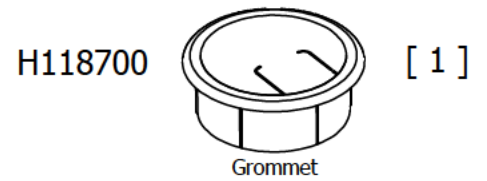
A	W187446	[ 1 ]	N	W187390	[ 1 ]
B	W187443	[ 1 ]	O	W187391	[ 1 ]
C	W187380	[ 1 ]	P	W187392	[ 1 ]
D	W187381	[ 1 ]	Q	W195732	[ 1 ]
E	W187382	[ 1 ]	R	W187394	[ 1 ]
F	W187445	[ 1 ]	S	W187395	[ 1 ]
G	W187384	[ 1 ]	T	W106489	[ 2 ]
H	W187444	[ 1 ]	U	W176195	[ 1 ]
J	W187386	[ 1 ]	V	W107681	[ 2 ]
K	W187387	[ 1 ]	W	W107685	[ 1 ]
L	W187388	[ 1 ]	X	W87410	[ 2 ]
M	W187389	[ 1 ]			



# PARTS LIST

## WC81830C

A	W187450	[ 1 ]	N	W187408	[ 1 ]
B	W187447	[ 1 ]	O	W187409	[ 1 ]
C	W187398	[ 1 ]	P	W187410	[ 1 ]
D	W187399	[ 1 ]	Q	W195733	[ 1 ]
E	W187400	[ 1 ]	R	W187412	[ 1 ]
F	W187449	[ 1 ]	S	W187413	[ 1 ]
G	W187402	[ 1 ]	T	W106489	[ 2 ]
H	W187448	[ 1 ]	U	W176195	[ 1 ]
J	W187404	[ 1 ]	V	W107681	[ 2 ]
K	W187405	[ 1 ]	W	W107685	[ 1 ]
L	W187406	[ 1 ]	X	W87410	[ 2 ]
M	W187407	[ 1 ]			



## WC81930

A	W196086	[ 1 ]	N	W196055	[ 1 ]
B	W196083	[ 1 ]	O	W196056	[ 1 ]
C	W196045	[ 1 ]	P	W196057	[ 1 ]
D	W196046	[ 1 ]	Q	W196060	[ 1 ]
E	W196047	[ 1 ]	R	W196058	[ 1 ]
F	W196085	[ 1 ]	S	W196059	[ 1 ]
G	W196049	[ 1 ]	T	W106489	[ 2 ]
H	W196084	[ 1 ]	U	W176195	[ 1 ]
J	W196051	[ 1 ]	V	W107681	[ 2 ]
K	W196052	[ 1 ]	W	W107685	[ 1 ]
L	W196053	[ 1 ]	X	W87410	[ 2 ]
M	W196054	[ 1 ]			

