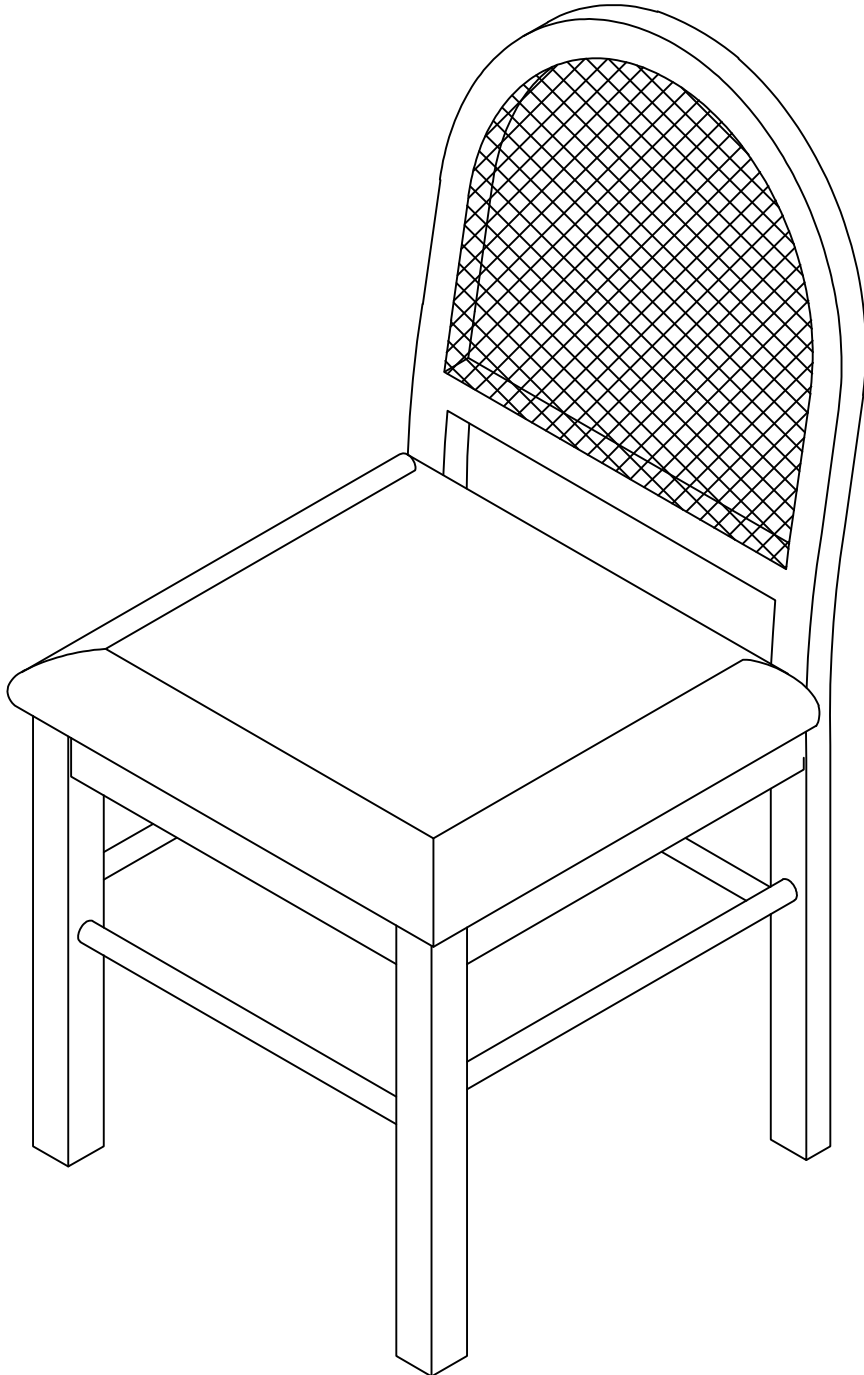


# Assembly Instruction

Item: N715P251606 - DINING CHAIR

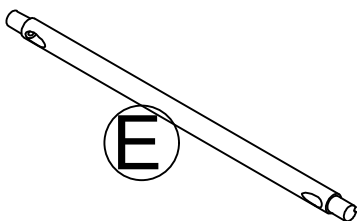
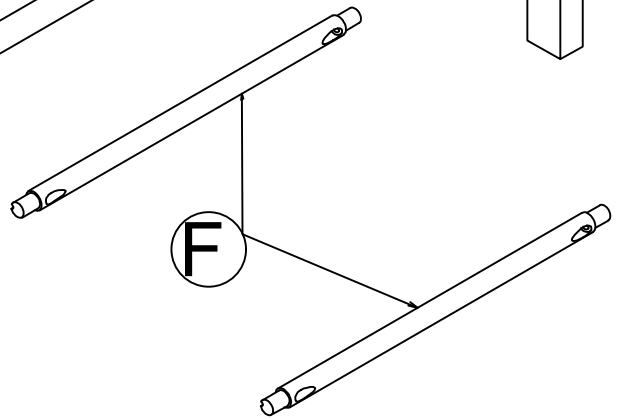
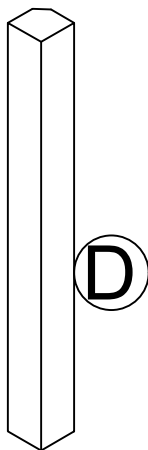
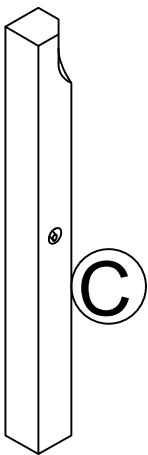
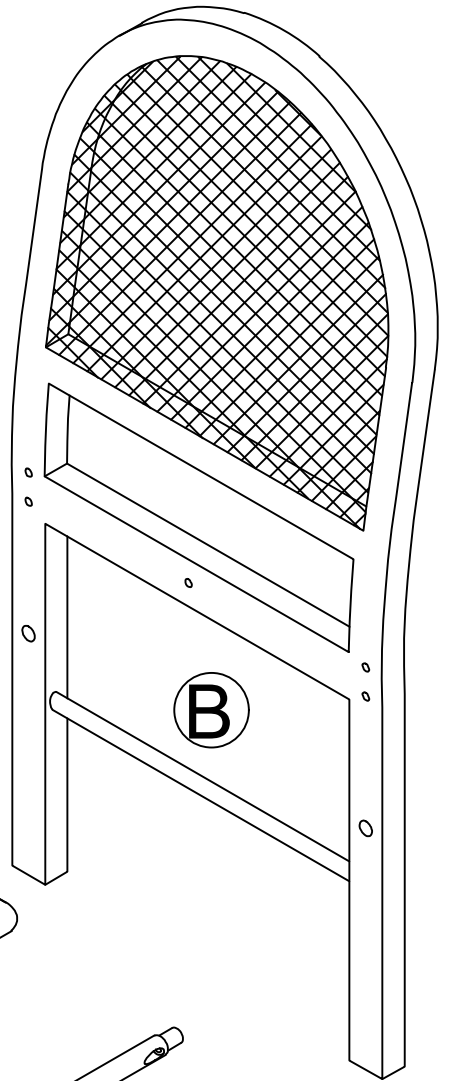
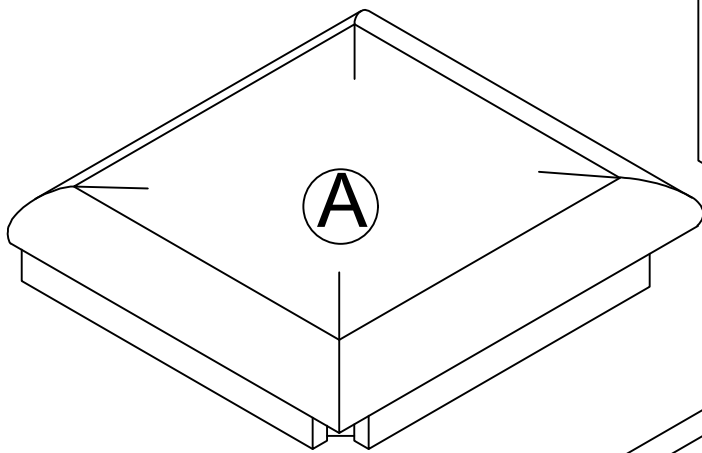


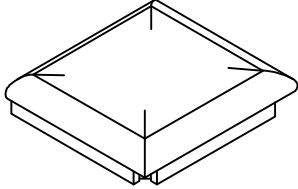
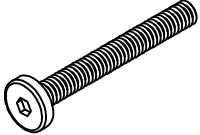
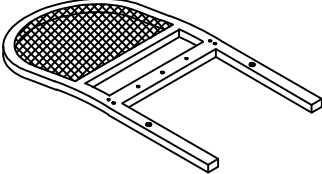
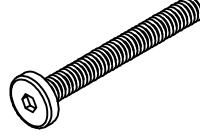
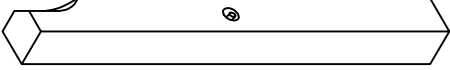
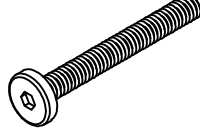
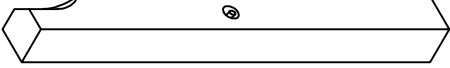

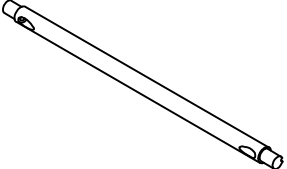
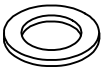
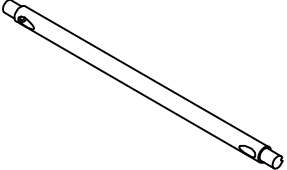
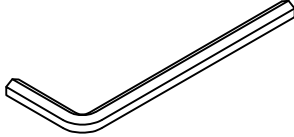

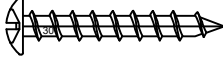
Please read these instructions fully before starting assembly:

1. Place all wooden parts on a clean and smooth surface such as a rug or carpet to avoid scratching the parts.
2. Kindly follow the assembly instructions step by step.
3. Do not tighten all screws and bolts until the table is fully assembled.
4. Unscrew the protective plastique supports from the metal insert of the table legs before assembly.
5. Parts of the assembly will be easier with 2 people.

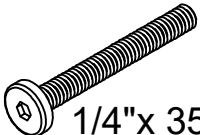
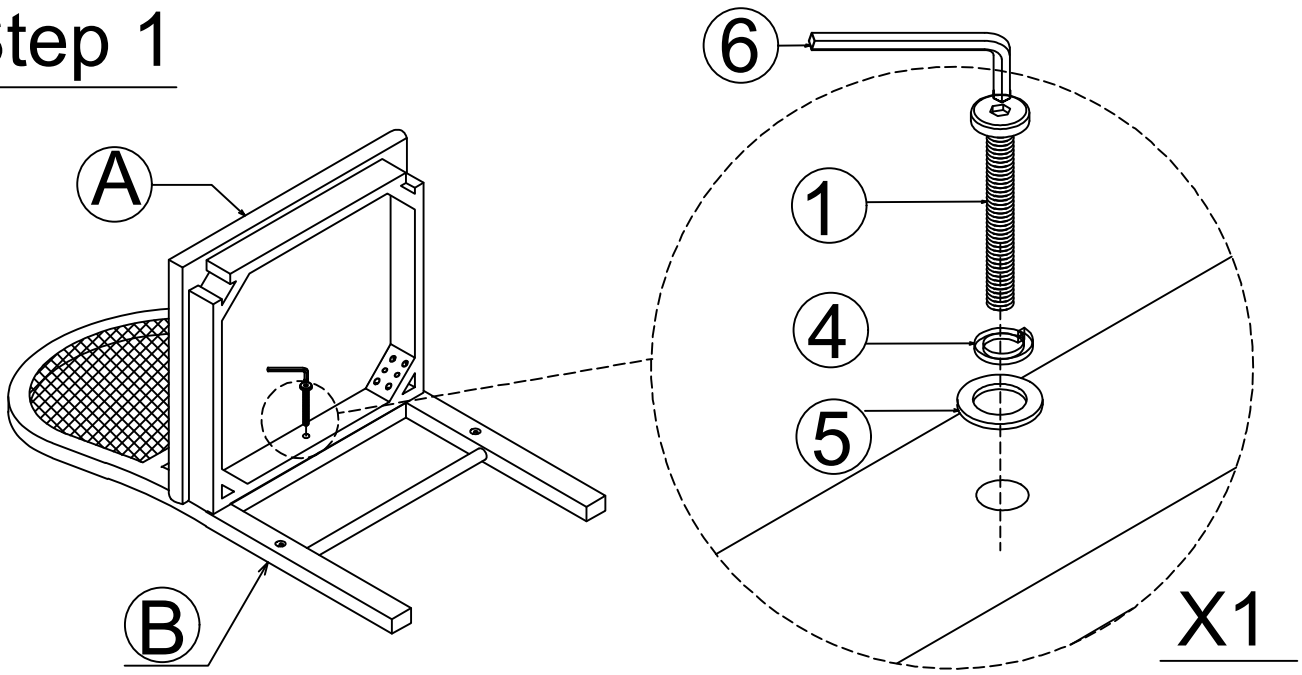
Care and maintenance:

Only clean using a damp cloth and mild detergent, do not use bleach or abrasive cleaners



Part list for one	Hardware list for one
<p data-bbox="97 197 172 271">A</p>  <p data-bbox="256 383 663 432">Seat Cushion (1pc)</p>	<p data-bbox="817 197 892 271">1</p>  <p data-bbox="1062 320 1310 360">1/4"x 35mm</p> <p data-bbox="1027 383 1275 432">BOLT (1pc)</p>
<p data-bbox="97 465 172 539">B</p>  <p data-bbox="256 651 611 701">Chair Back (1pc)</p>	<p data-bbox="817 465 892 539">2</p>  <p data-bbox="1062 589 1310 629">1/4"x 50mm</p> <p data-bbox="1027 651 1299 701">BOLT (4pcs)</p>
<p data-bbox="97 734 172 808">C</p>  <p data-bbox="252 920 703 969">Front Leg (Left) (1pc)</p>	<p data-bbox="817 734 892 808">3</p>  <p data-bbox="1062 857 1310 898">1/4"x 70mm</p> <p data-bbox="1027 920 1299 969">BOLT (4pcs)</p>
<p data-bbox="97 1003 172 1077">D</p>  <p data-bbox="252 1189 735 1238">Front Leg (Right) (1pc)</p>	<p data-bbox="817 1003 892 1077">4</p>  <p data-bbox="983 1111 1350 1151">Ø1/4"x13x1.5mm</p> <p data-bbox="951 1189 1414 1238">Spring Washer (9pcs)</p>
<p data-bbox="97 1272 172 1346">E</p>  <p data-bbox="252 1458 691 1507">Front Stretcher (1pc)</p>	<p data-bbox="817 1272 892 1346">5</p>  <p data-bbox="983 1379 1350 1420">Ø1/4"x16x1.5mm</p> <p data-bbox="951 1458 1350 1507">Flat Washer (9pcs)</p>
<p data-bbox="97 1541 172 1615">F</p>  <p data-bbox="252 1727 703 1776">Side Stretcher (2pcs)</p>	<p data-bbox="817 1541 892 1615">6</p>  <p data-bbox="951 1727 1477 1776">4mm Allen Wrench (1pc)</p>
<p data-bbox="75 1850 791 1951">Note: Tool required (not provided) Screwdriver</p> 	<p data-bbox="817 1809 892 1883">7</p>  <p data-bbox="1086 1917 1318 1957">#8 x 1-1/2"</p> <p data-bbox="951 1984 1366 2033">Wood Screw (6pcs)</p>

# Step 1



1/4"x 35mm

1 x 1



Ø1/4"x13x1.5mm

4 x 1



Ø1/4"x16x1.5mm

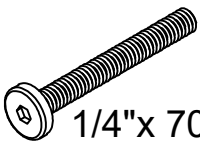
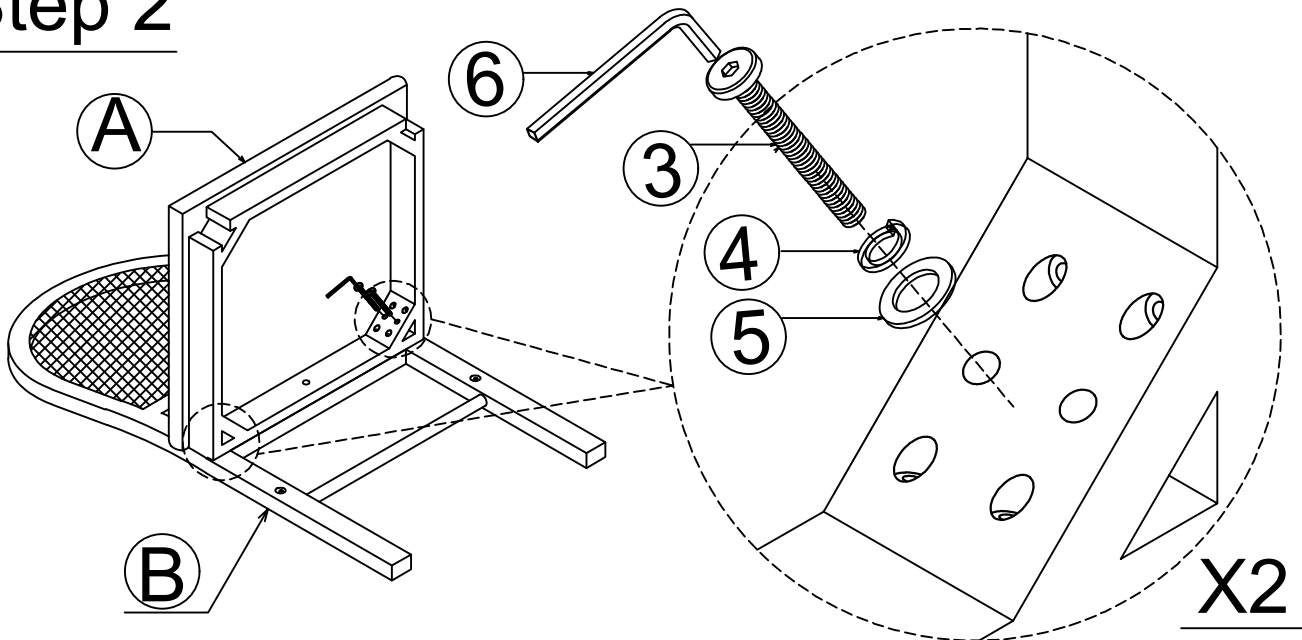
5 x 1



4mm Allen Wrench

6 x 1

# Step 2



1/4"x 70mm

3 x 4



Ø1/4"x13x1.5mm

4 x 4



Ø1/4"x16x1.5mm

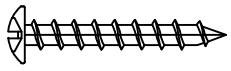
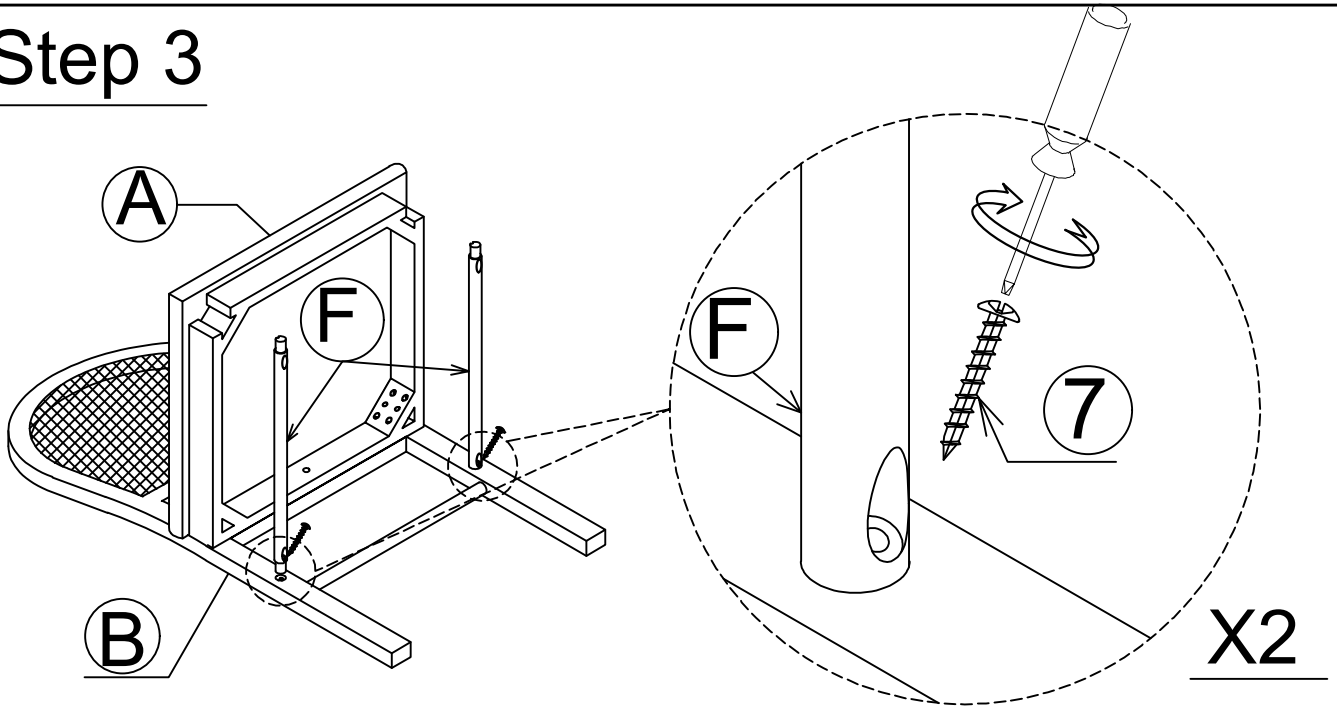
5 x 4



4mm Allen Wrench

6 x 1

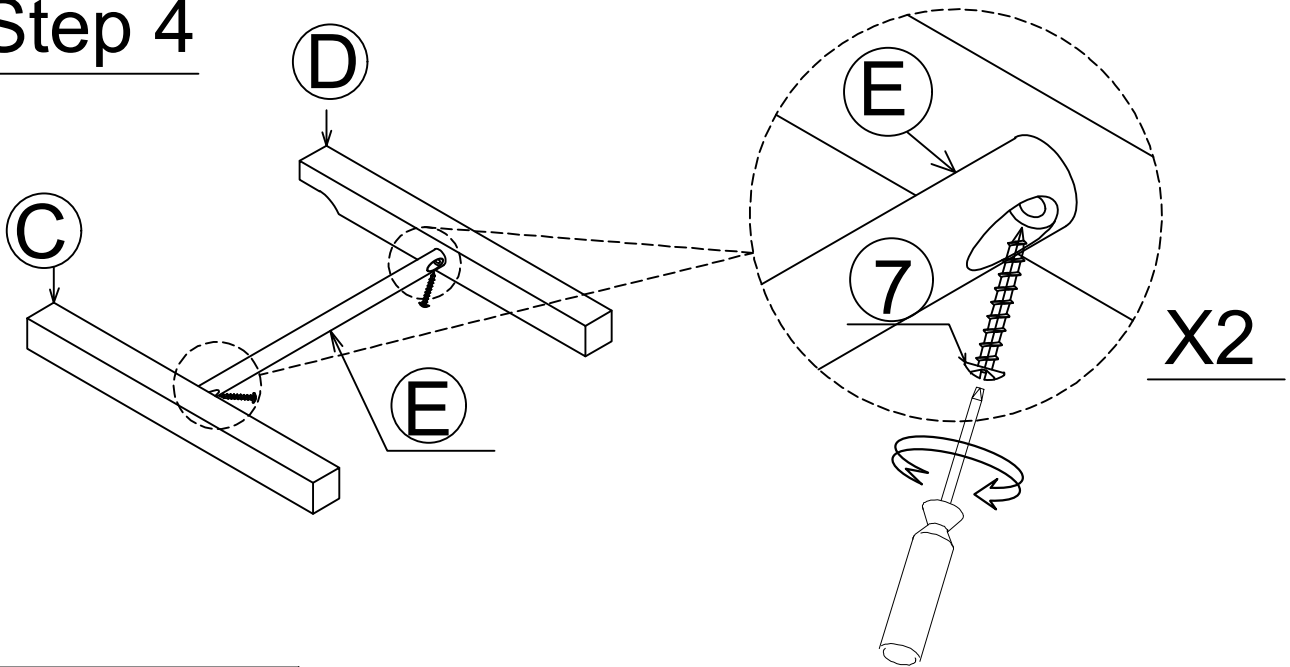
# Step 3



#8 x 1-1/2"

7 x 2

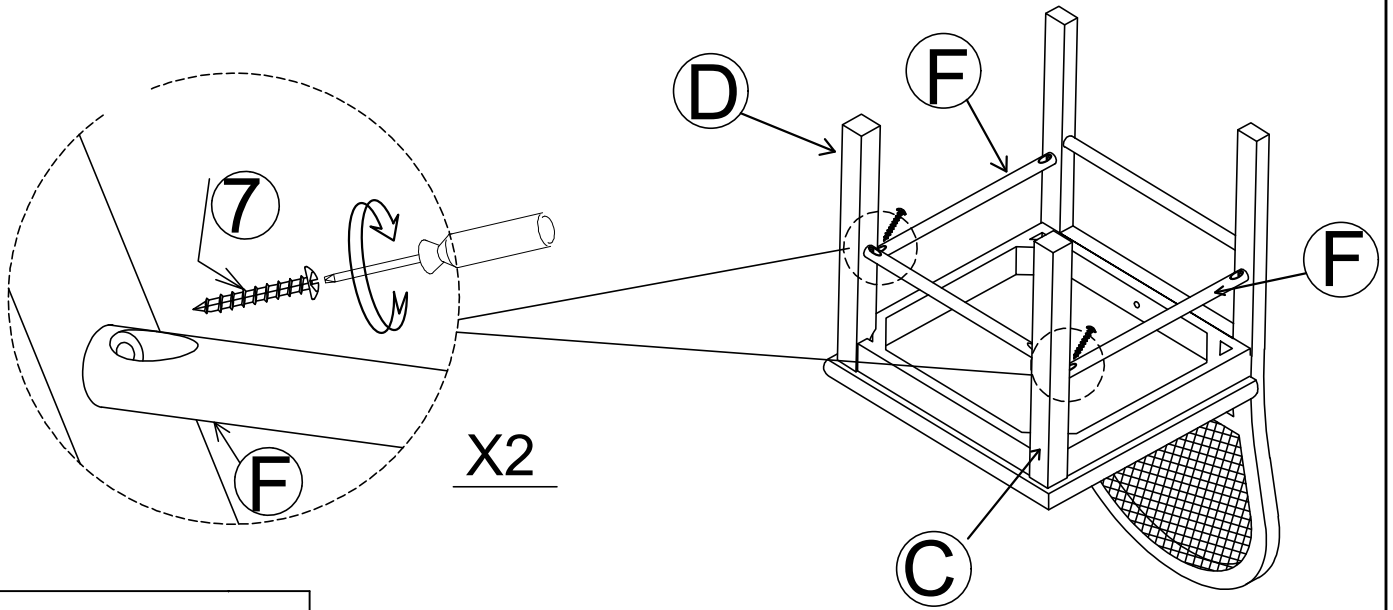
# Step 4



#8 x 1-1/2"

7 x 2

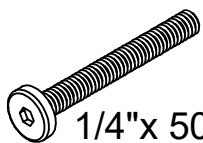
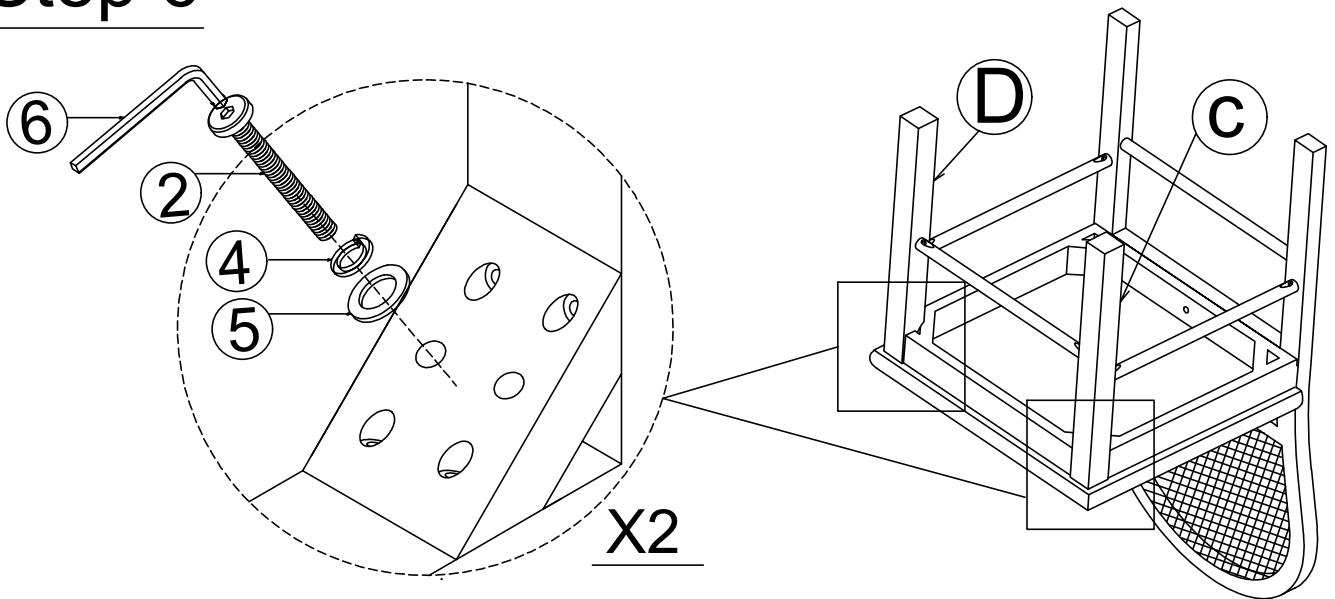
# Step 5



#8 x 1-1/2"

7 x 2

# Step 6



1/4"x 50mm

2 x 4



Ø1/4"x13x1.5mm

4 x 4



Ø1/4"x16x1.5mm

5 x 4



4mm Allen Wrench

6 x 1

Complete

