

SGBST

FTBFVT-6009
FTBFVT-6010

FTBFVT-6011
FTBFVT-6012

PARTS LIST

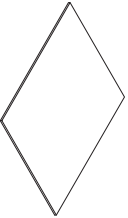
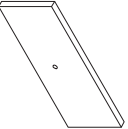
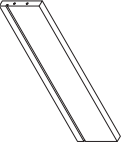
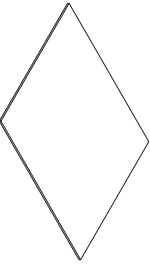
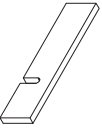
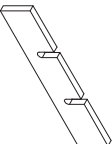
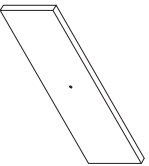
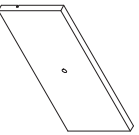
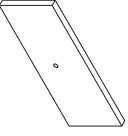
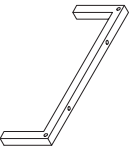
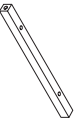
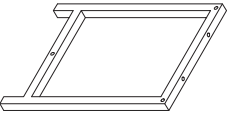
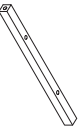
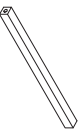
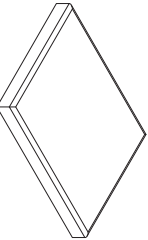



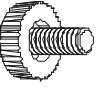
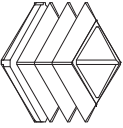

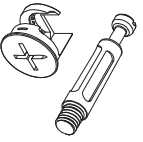


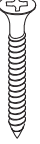



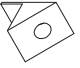
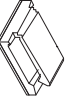
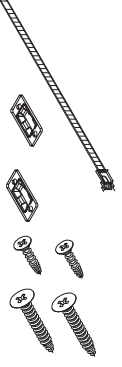

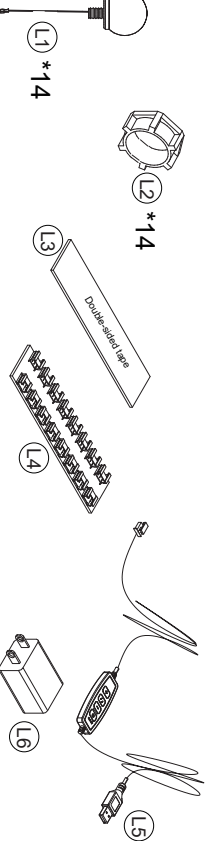


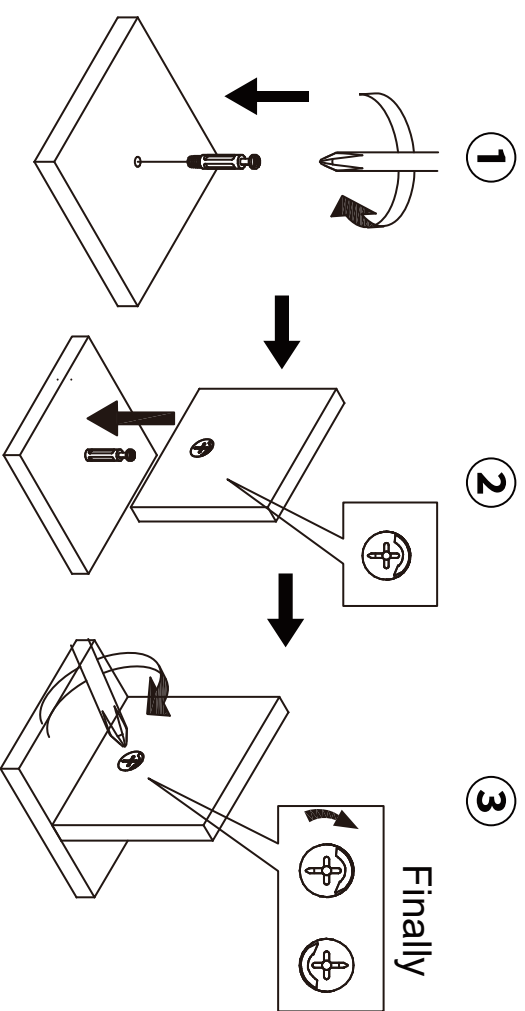
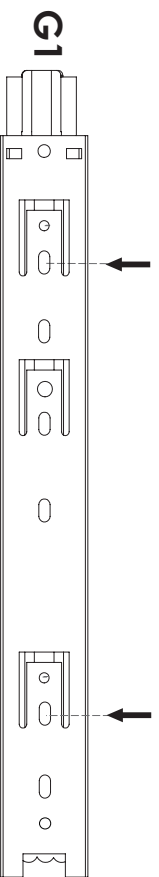
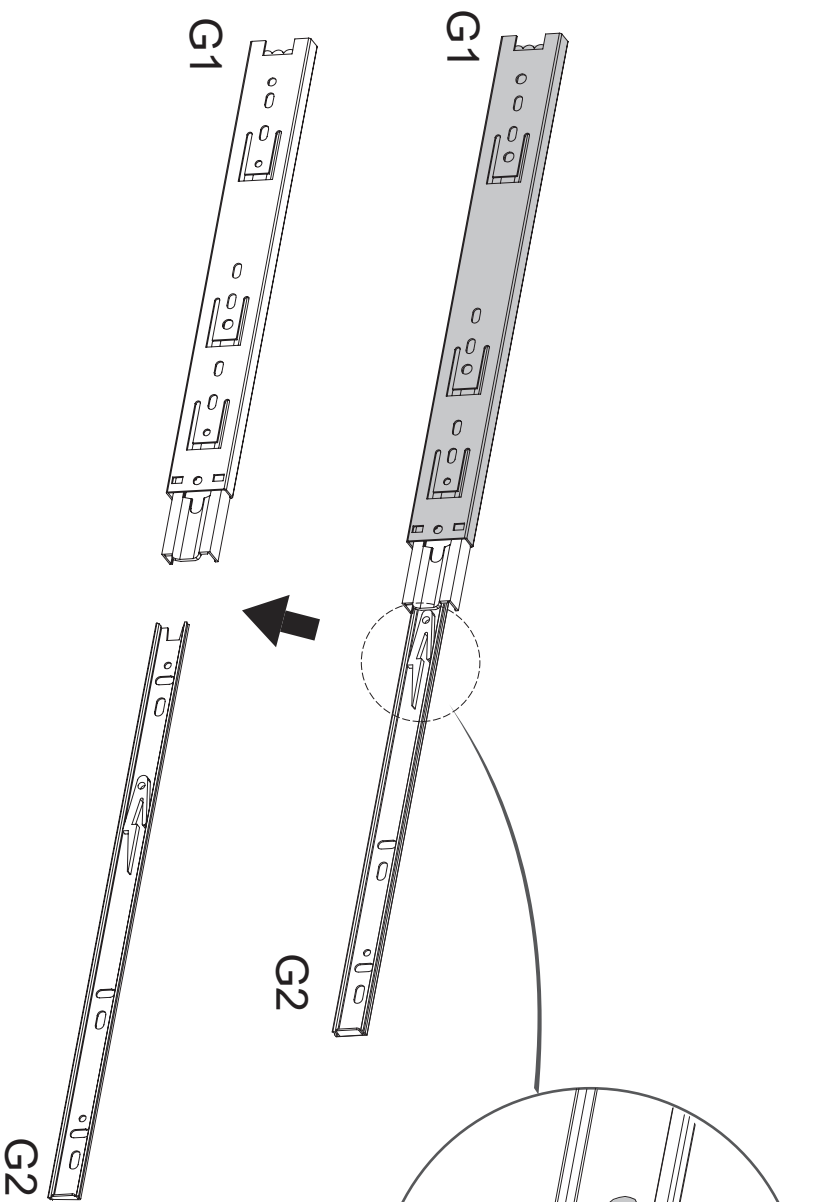
No hammer included

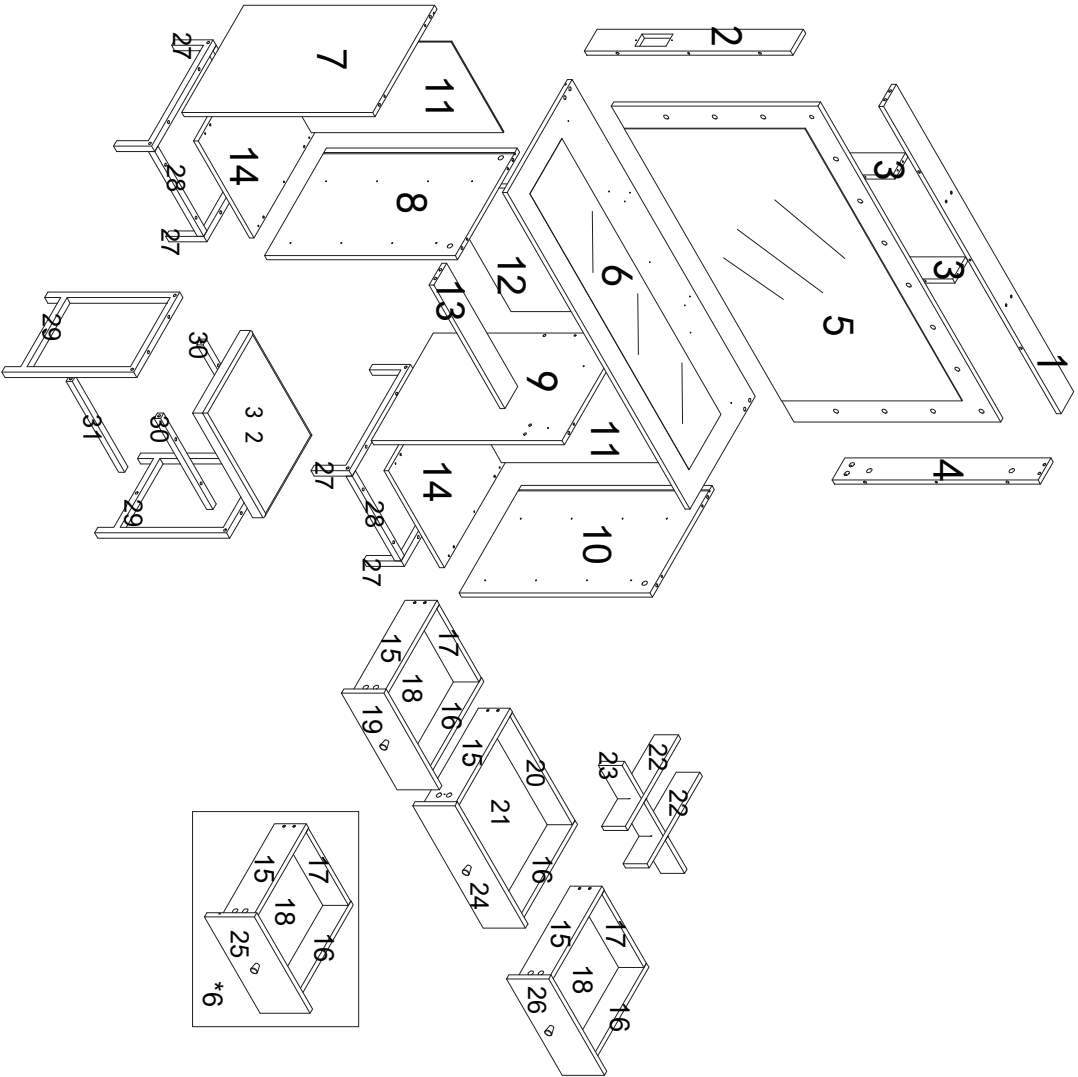
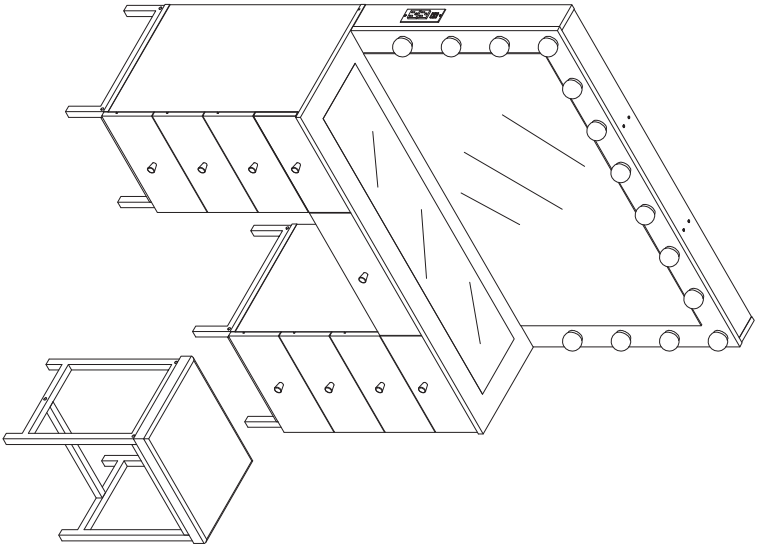
| | | | | |
|--------------|--------------|--------------|--------------|--------------|
| 1 | 2 | 3 | 4 | 5 |
| 1PCS | 1PCS | 1PCS | 2PC | 1PCS |

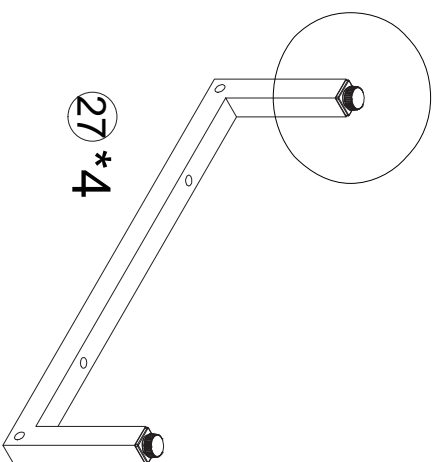
| | | | | |
|--------------|--------------|--------------|--------------|---------------|
| 6 | 7 | 8 | 9 | 10 |
| 1PCS | 1PCS | 1PCS | 1PCS | 1PCS |

| | | | | | | |
|---------------|---------------|---------------|---------------|---------------|---------------|---------------|
| 11 | 12 | 13 | 14 | 15 | 16 | 17 |
| 1PCS | 1PCS | 1PCS | 2PC | 9PC | 9PC | 8PC |

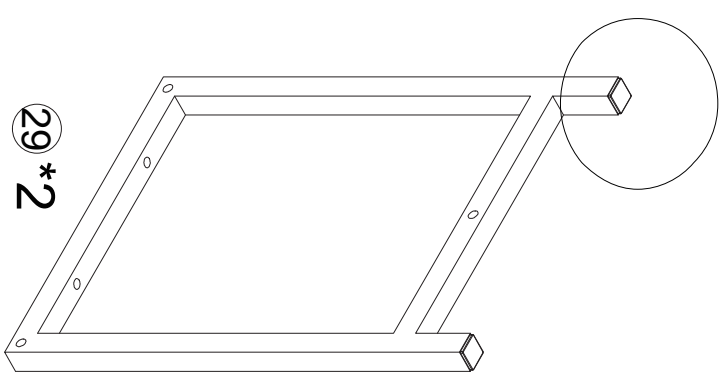
| | | | | | | | | | | | | | | | | | | | | |
|----|---|-------|----|---|-------|----|---|-------|----|---|-------|----|---|-----|----|---|------|----|---|------|
| 18 |  | 8PC | 19 |  | 1PCS | 20 |  | 1PCS | 21 |  | 1PCS | 22 |  | 2PC | 23 |  | 1PCS | 24 |  | 1PCS |
| 25 |  | 6PC | 26 |  | 1PCS | 27 |  | 4PC | 28 |  | 4PC | 29 |  | 2PC | 30 |  | 2PC | 31 |  | 1PCS |
| 32 |  | 1PCS | M |  | *1 | N |  | *14+2 | O |  | *24+3 | P |  | *8 | Q |  | *8 | R |  | *4 |
| A |  | *70+8 | B |  | *22+3 | C |  | *82+9 | D |  | *61+7 | E |  | *9 | F |  | *9 | G |  | *18 |
| H |  | *8 | I |  | *4 | J |  | *2 | K |  | *1 | L |  | *1 | | | | | | |



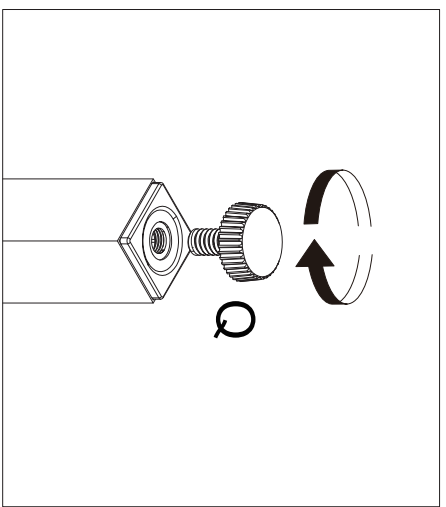
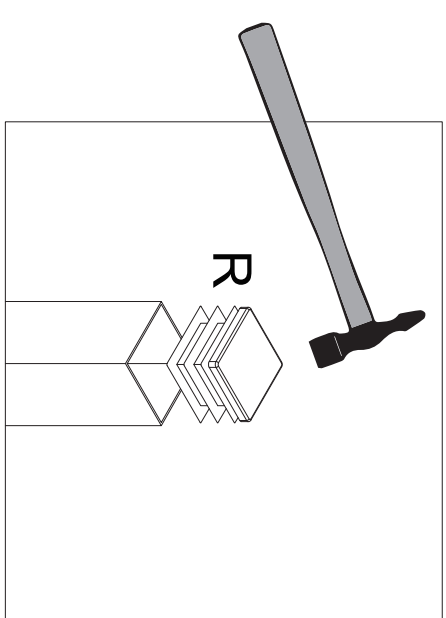
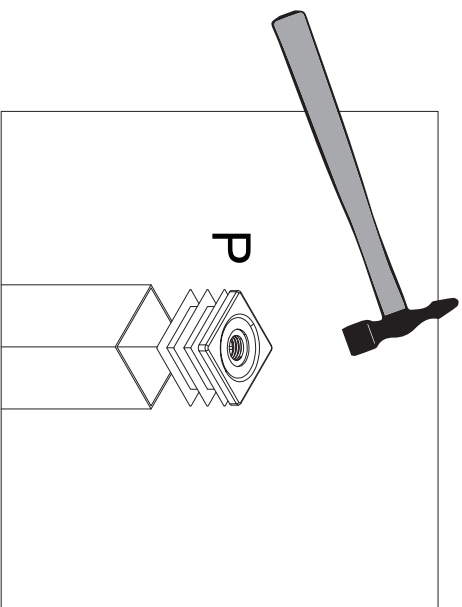




27*4

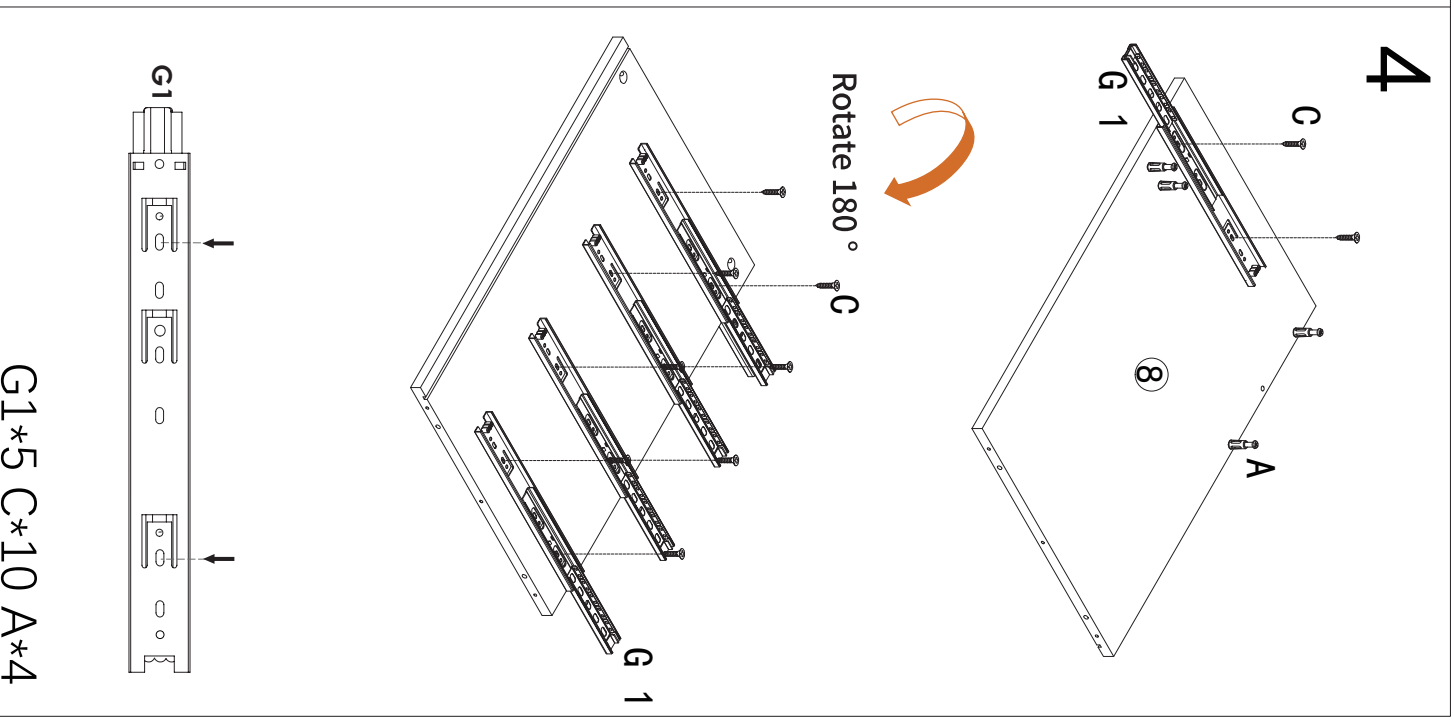
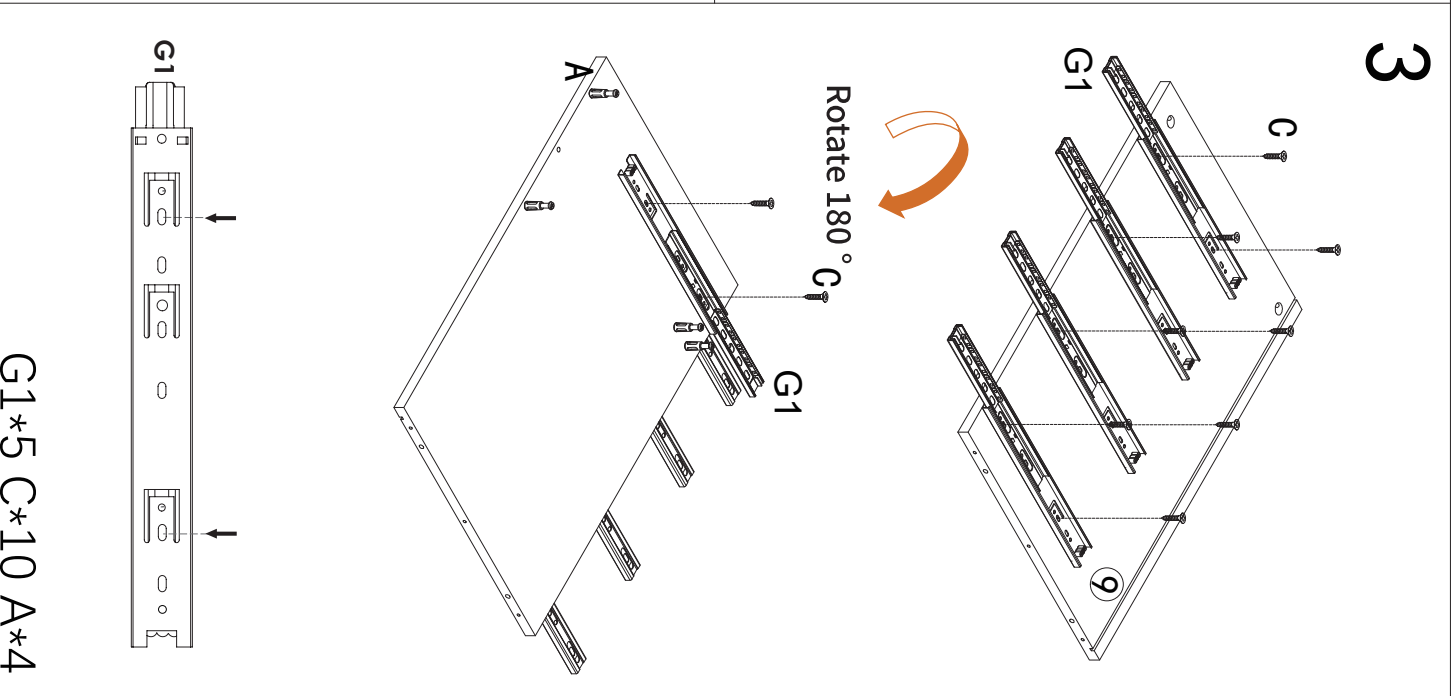
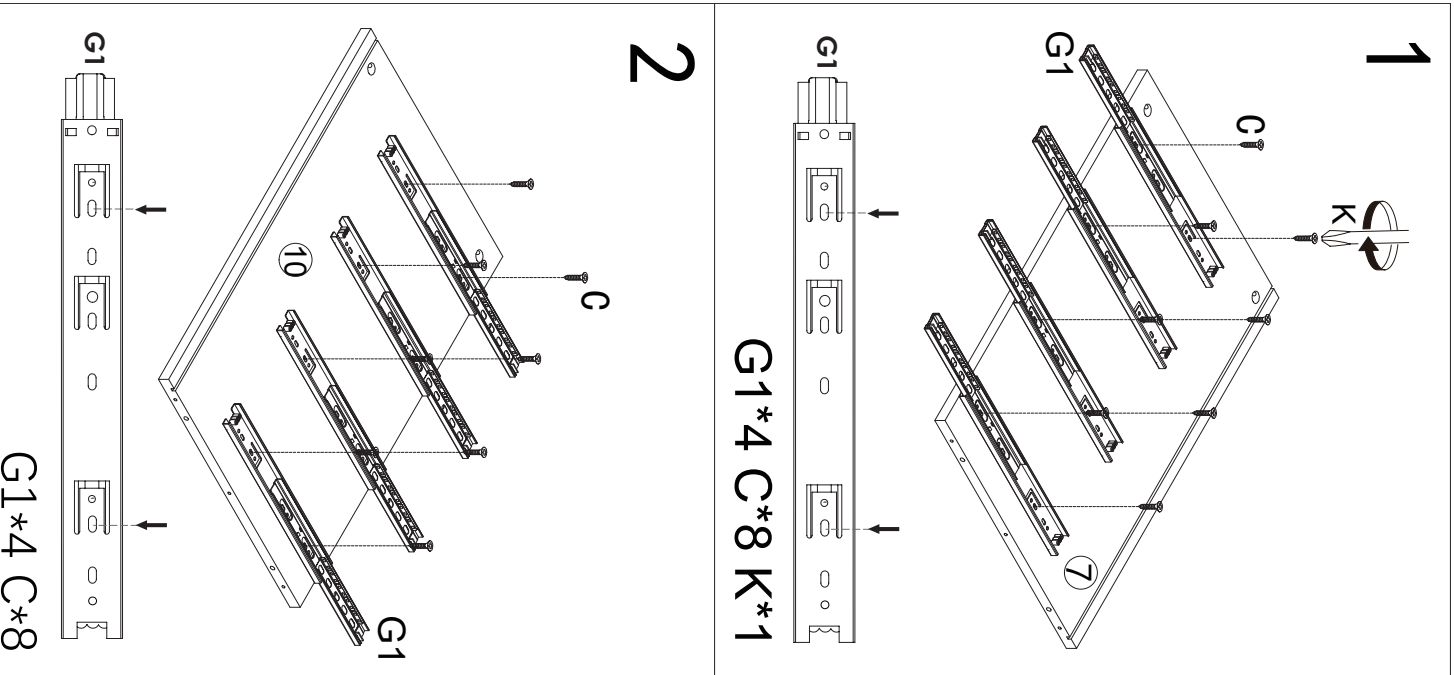


29*2

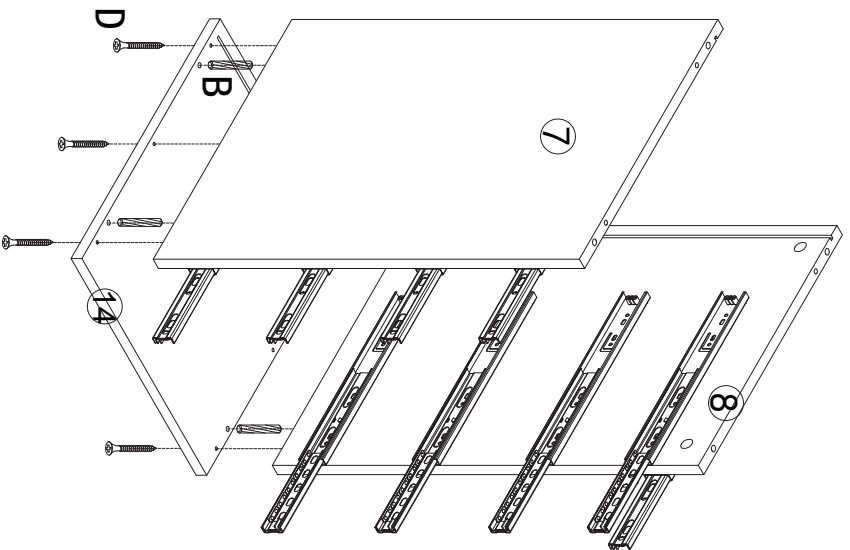


Adjustable footing

P*8 Q*8 R*4

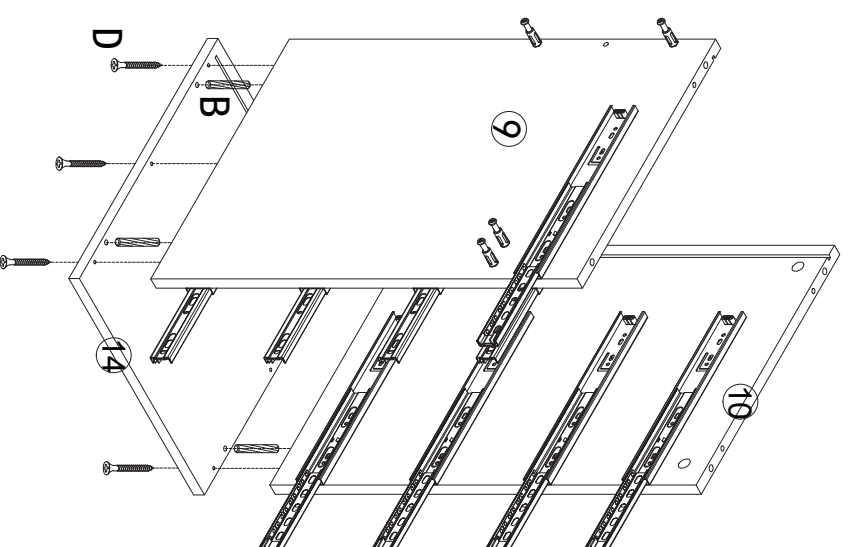


5



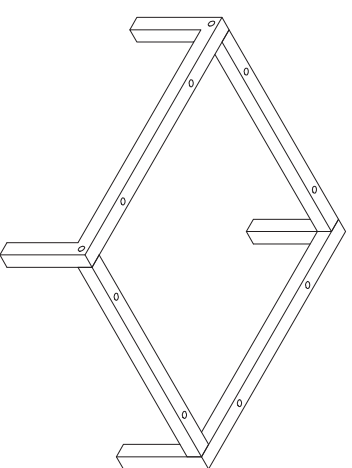
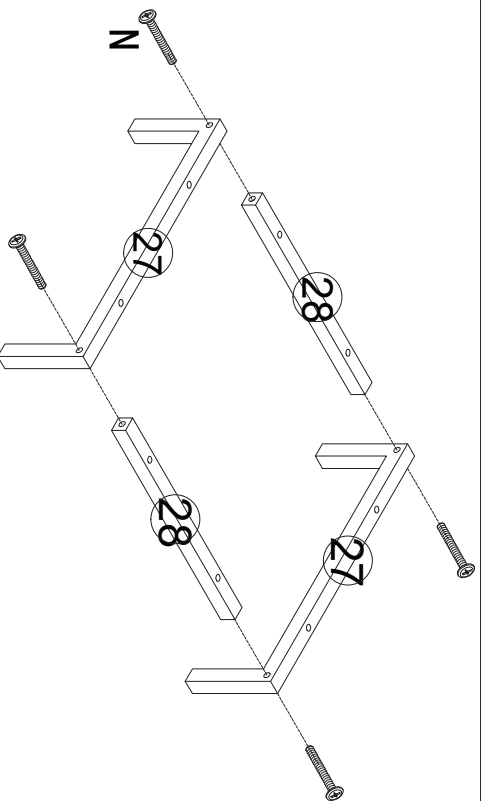
B*4 D*6

6



B*4 D*6

7

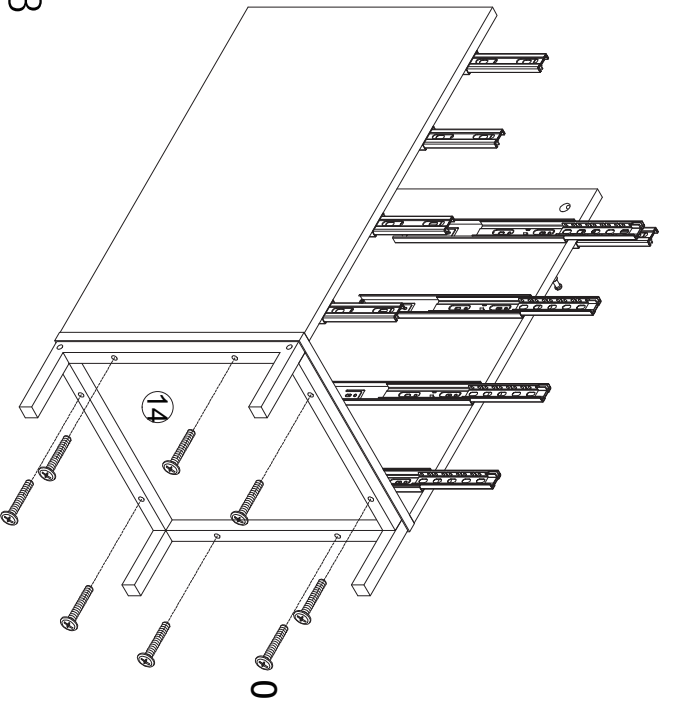


*2

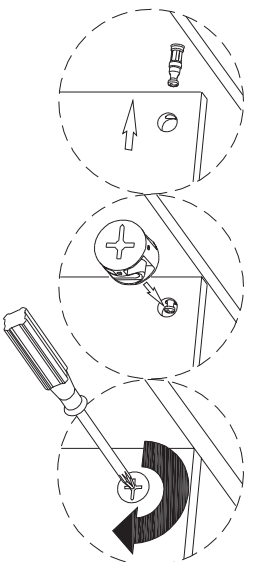
N*8

8

0*8

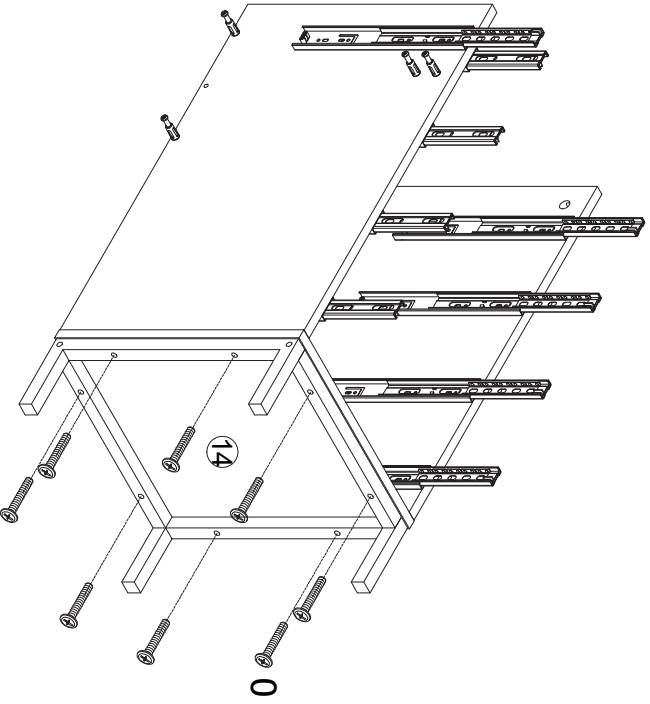


10

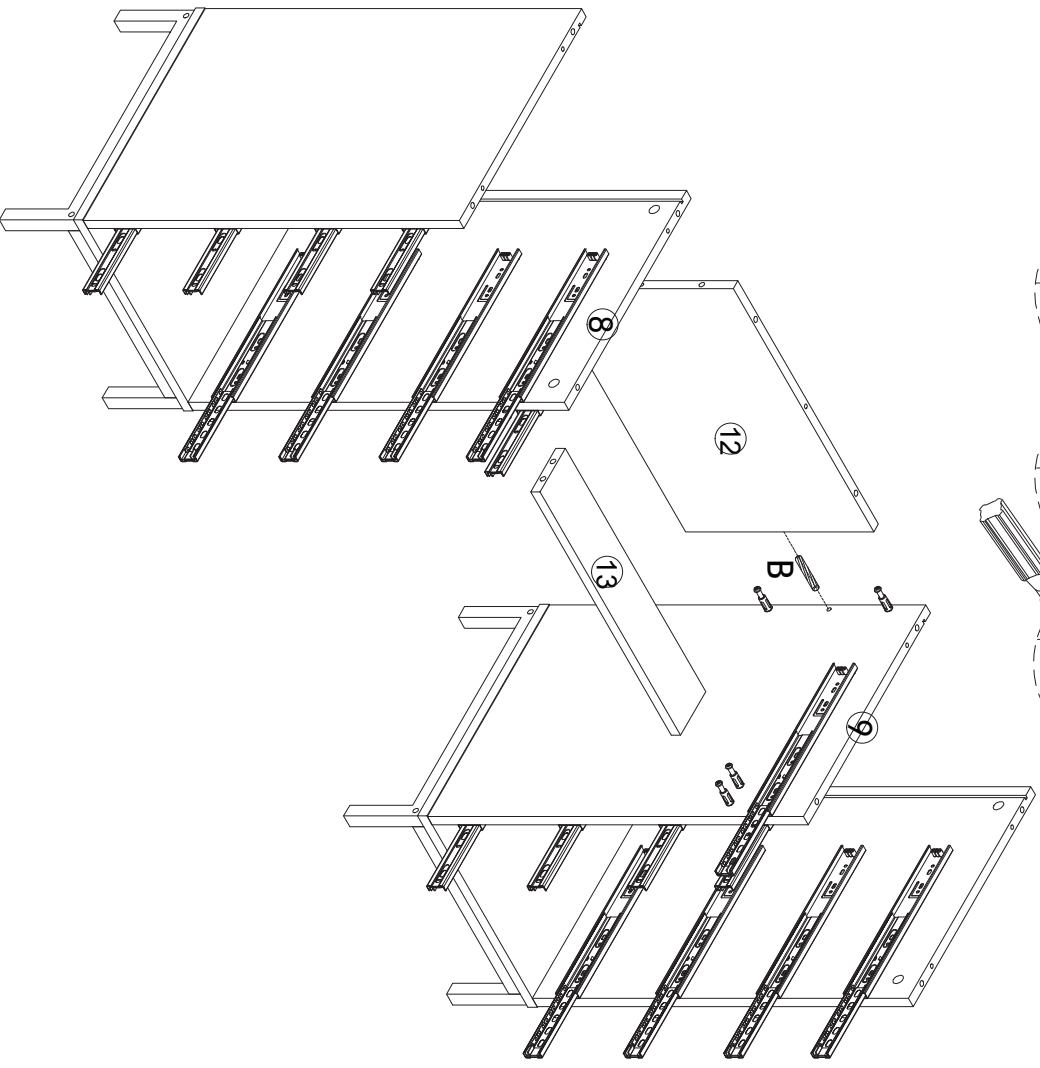


9

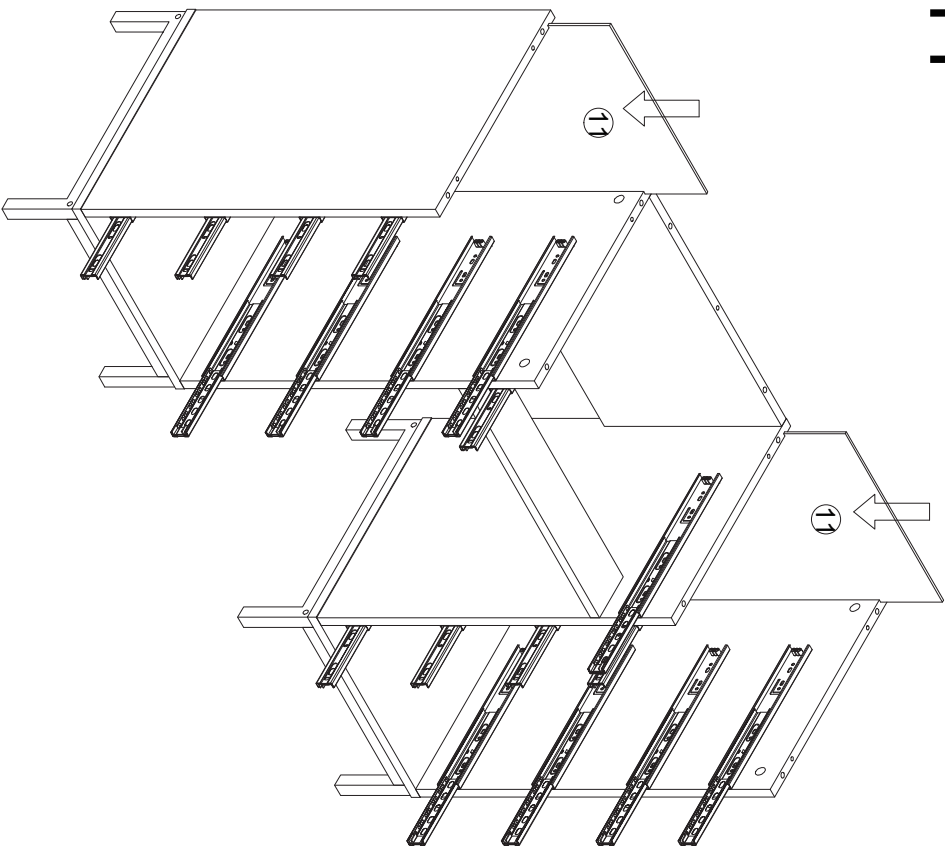
0*8



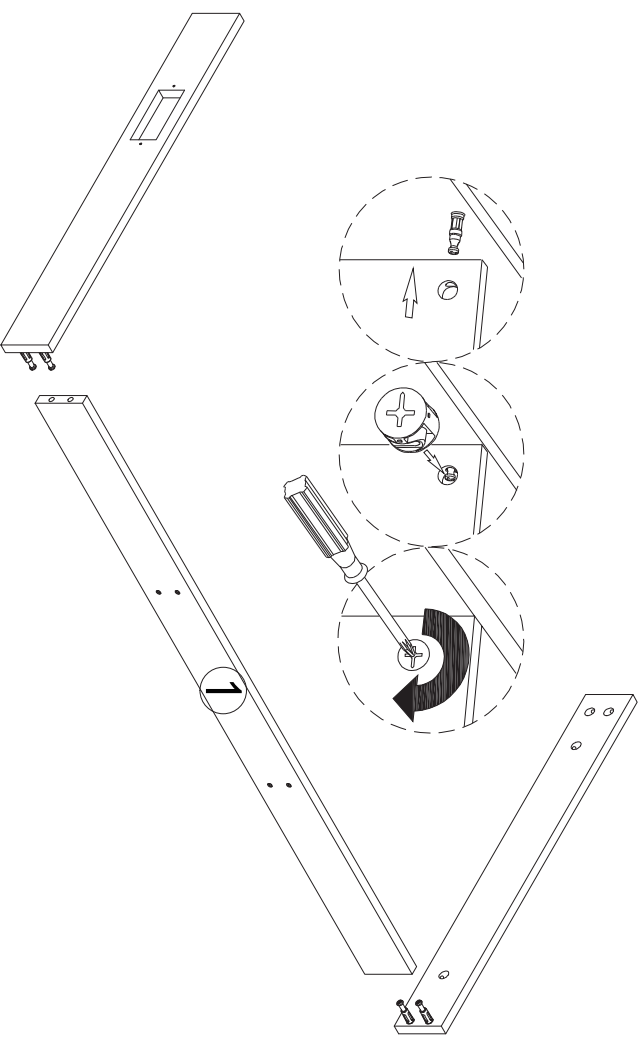
B*2



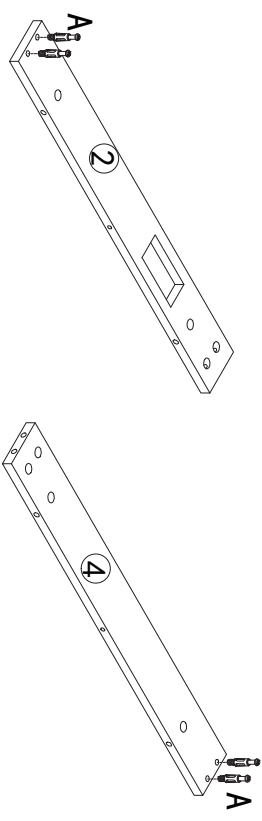
11



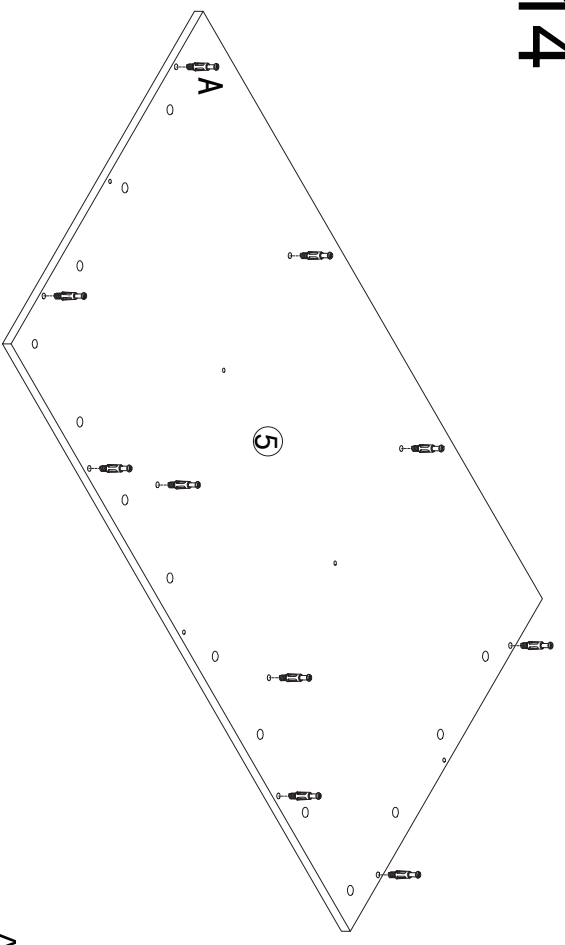
13



12



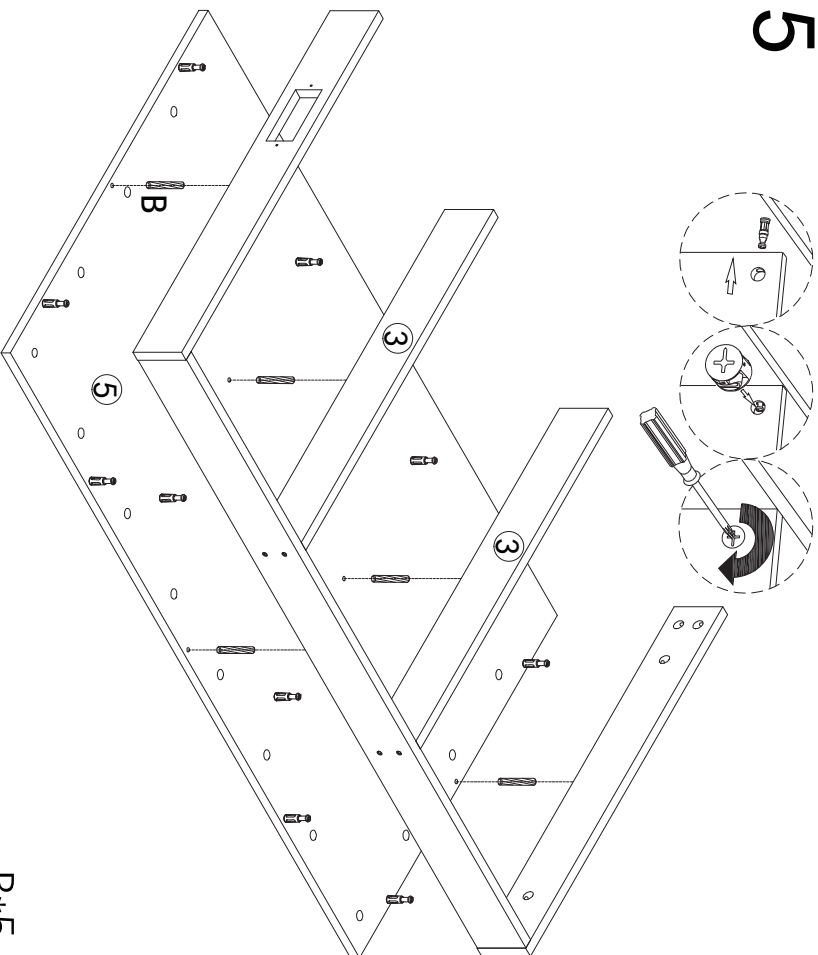
14



A*4

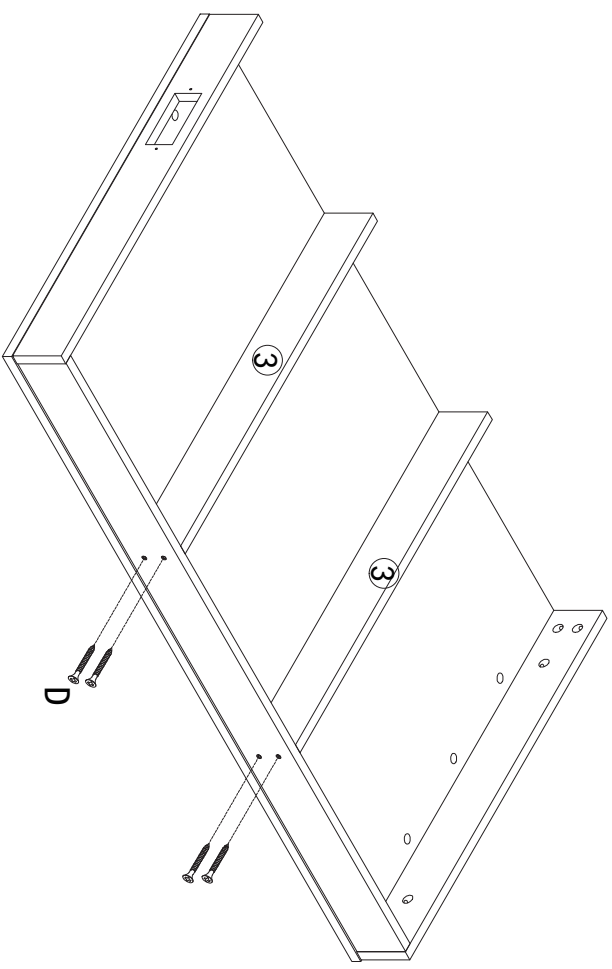
A*10

15



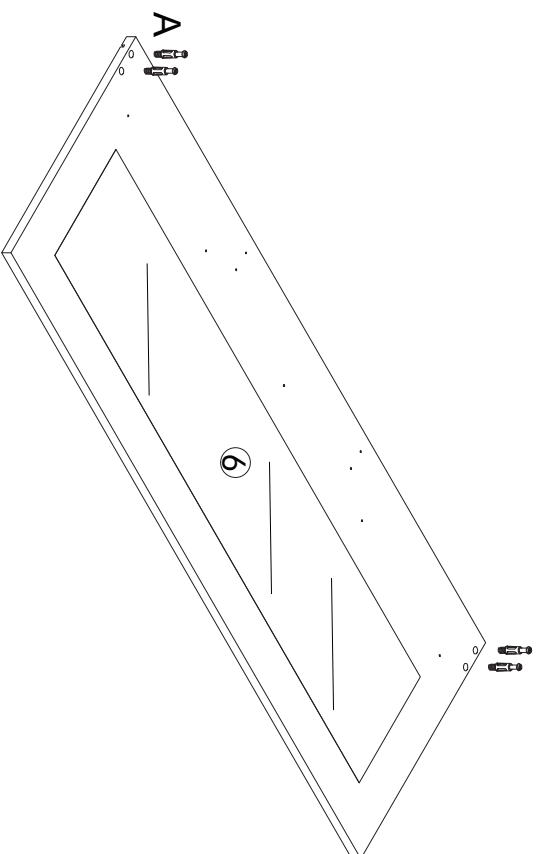
B*5

16

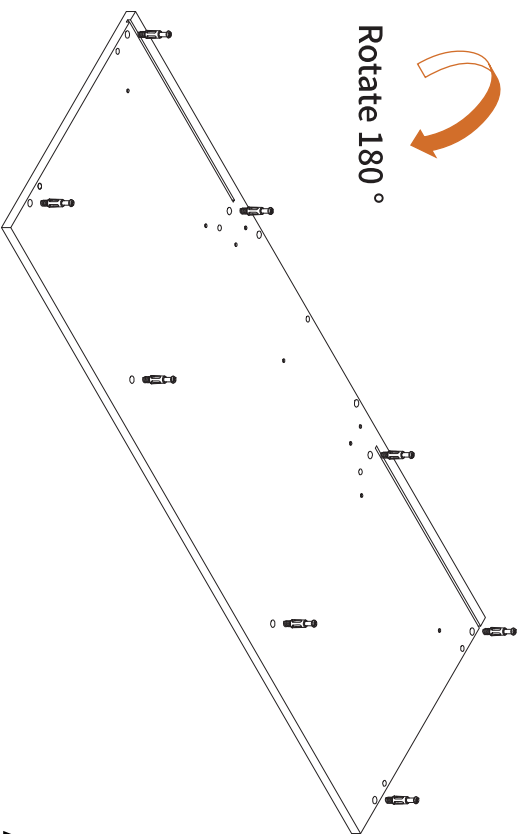


D*4

17

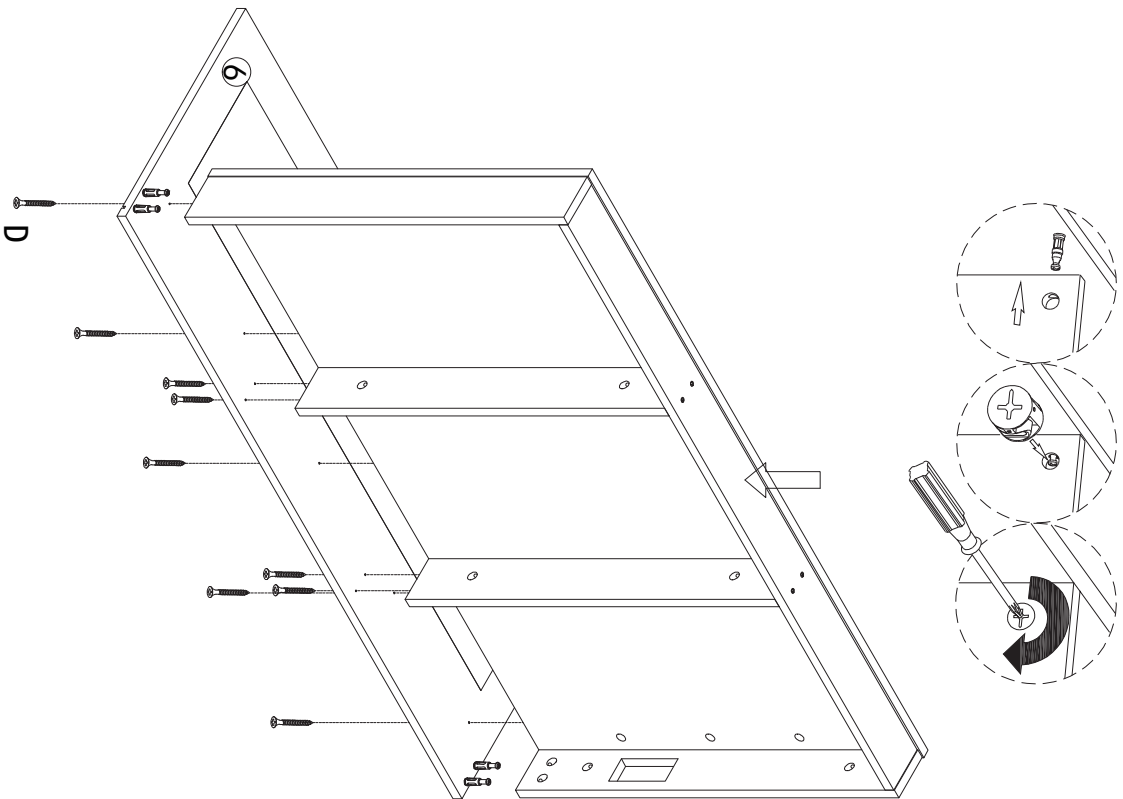


Rotate 180°



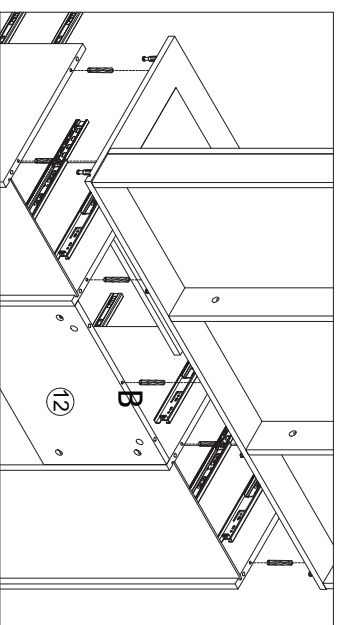
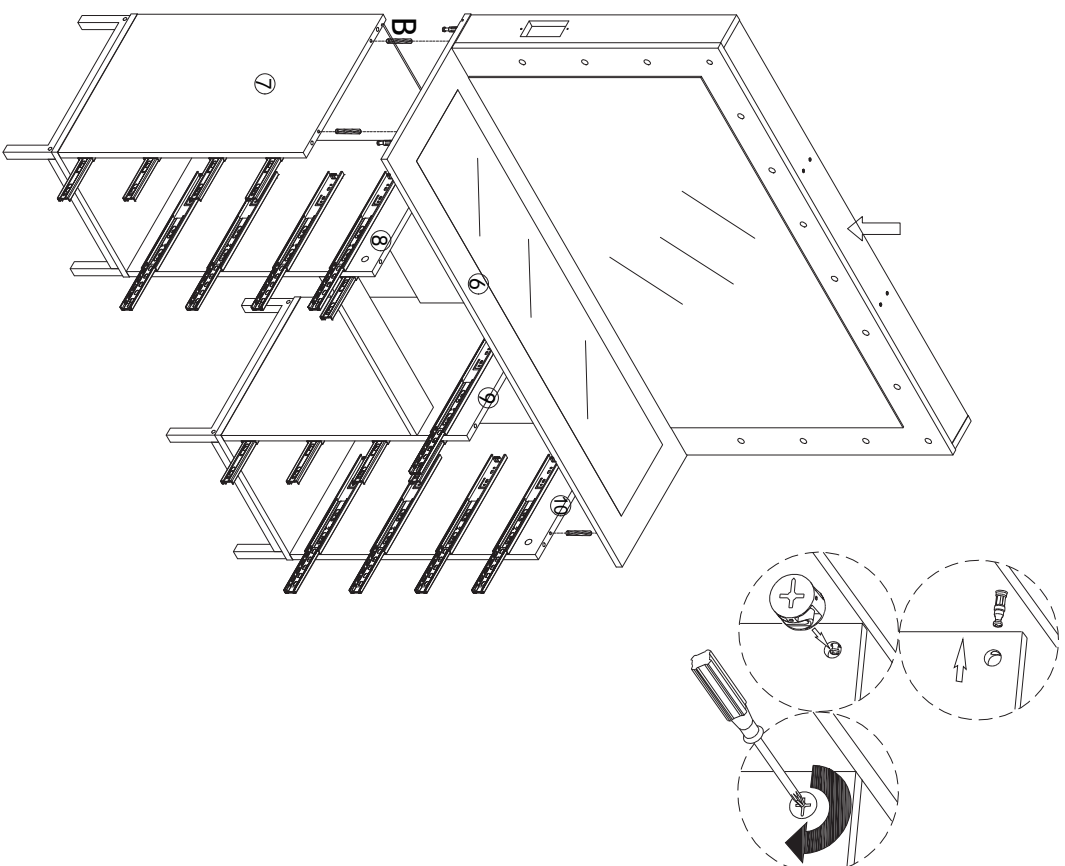
A*12

18

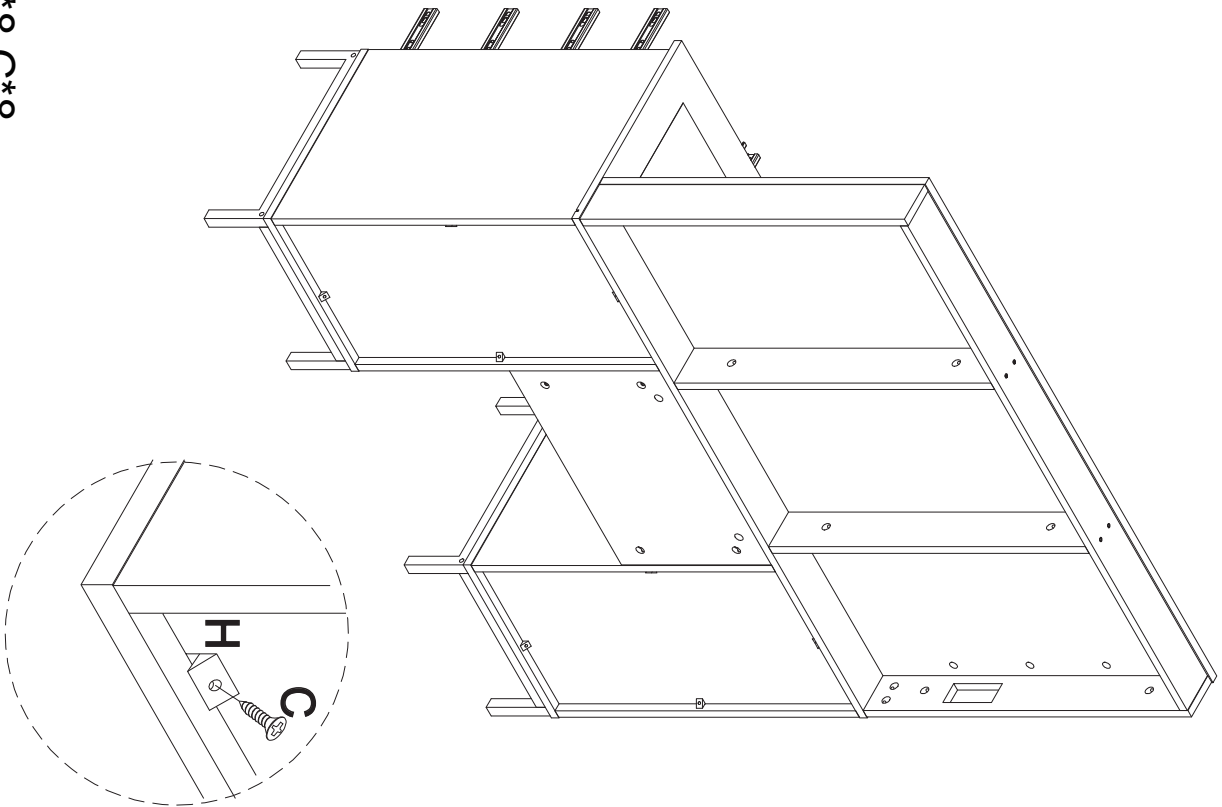


D*9

19

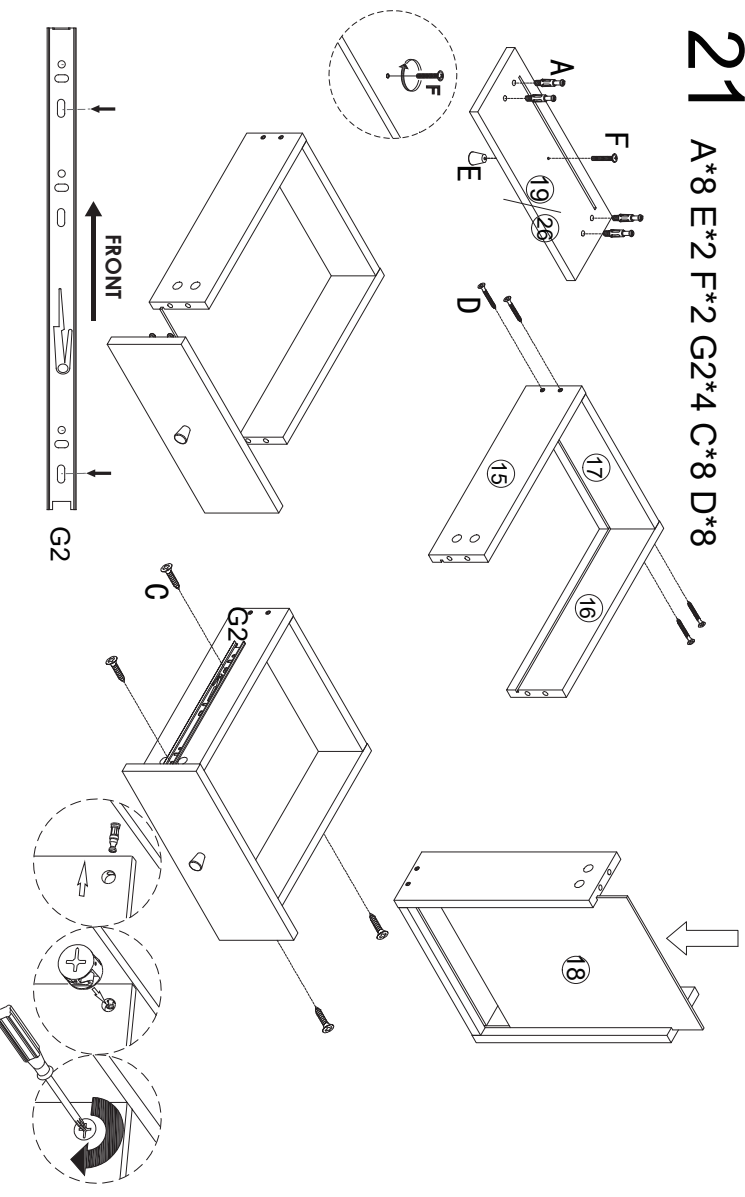


B*7

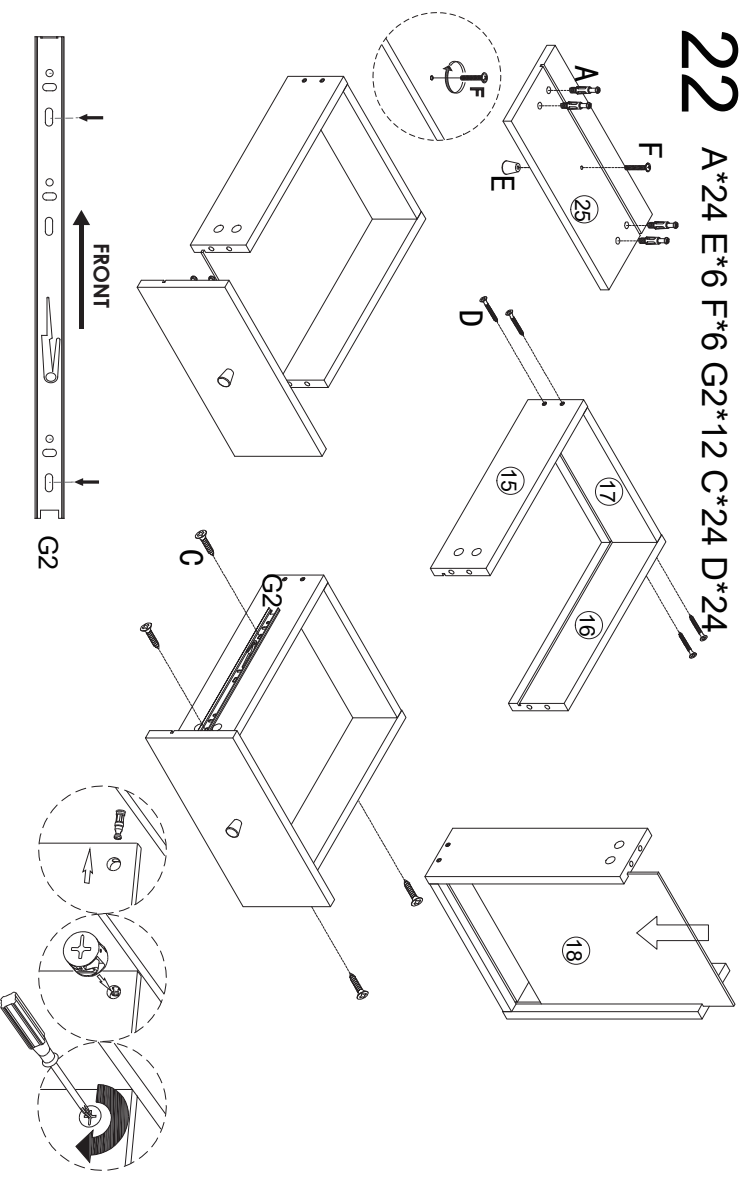


H*8 C*8

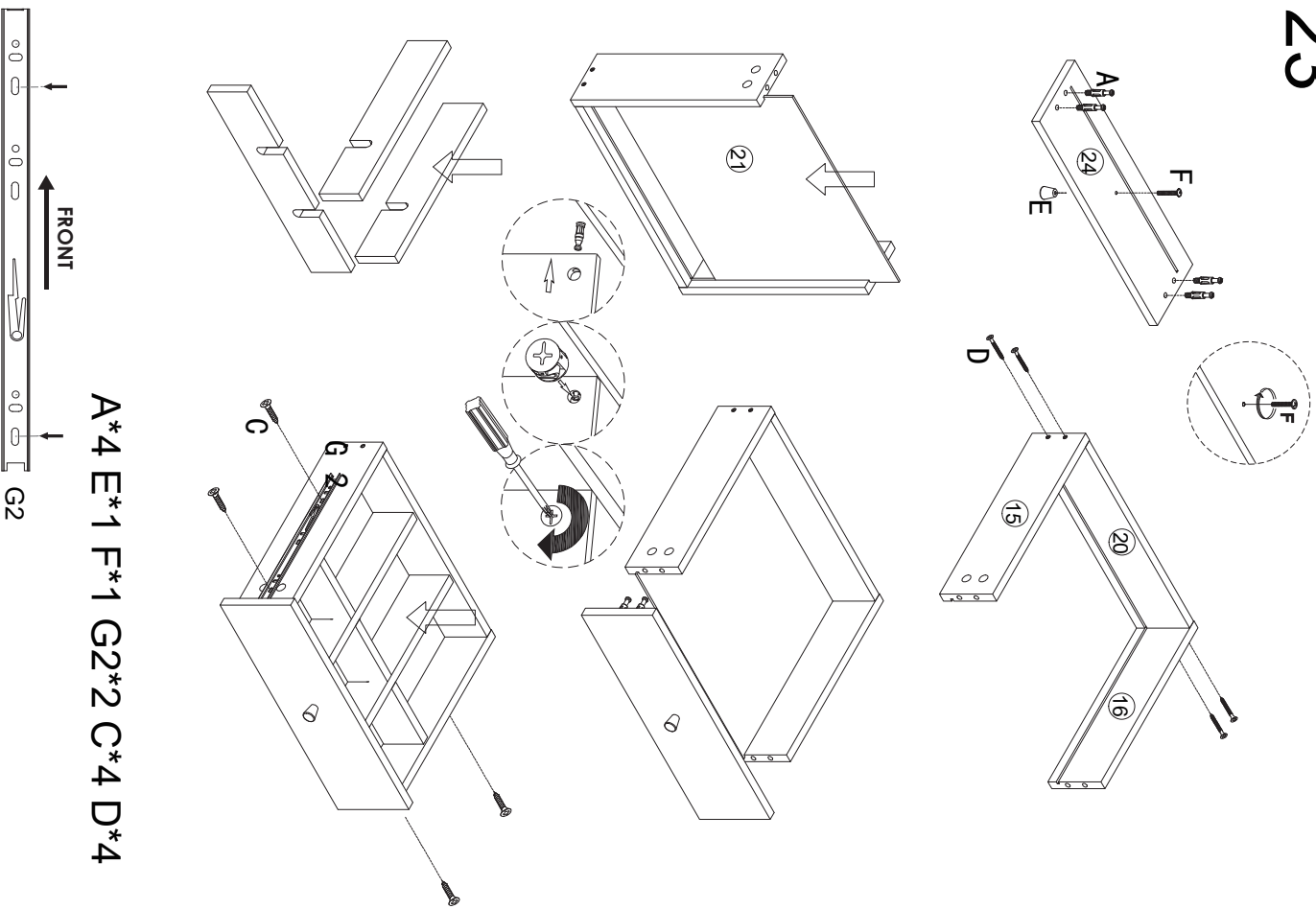
21 A*8 E*2 F*2 G2*4 C*8 D*8



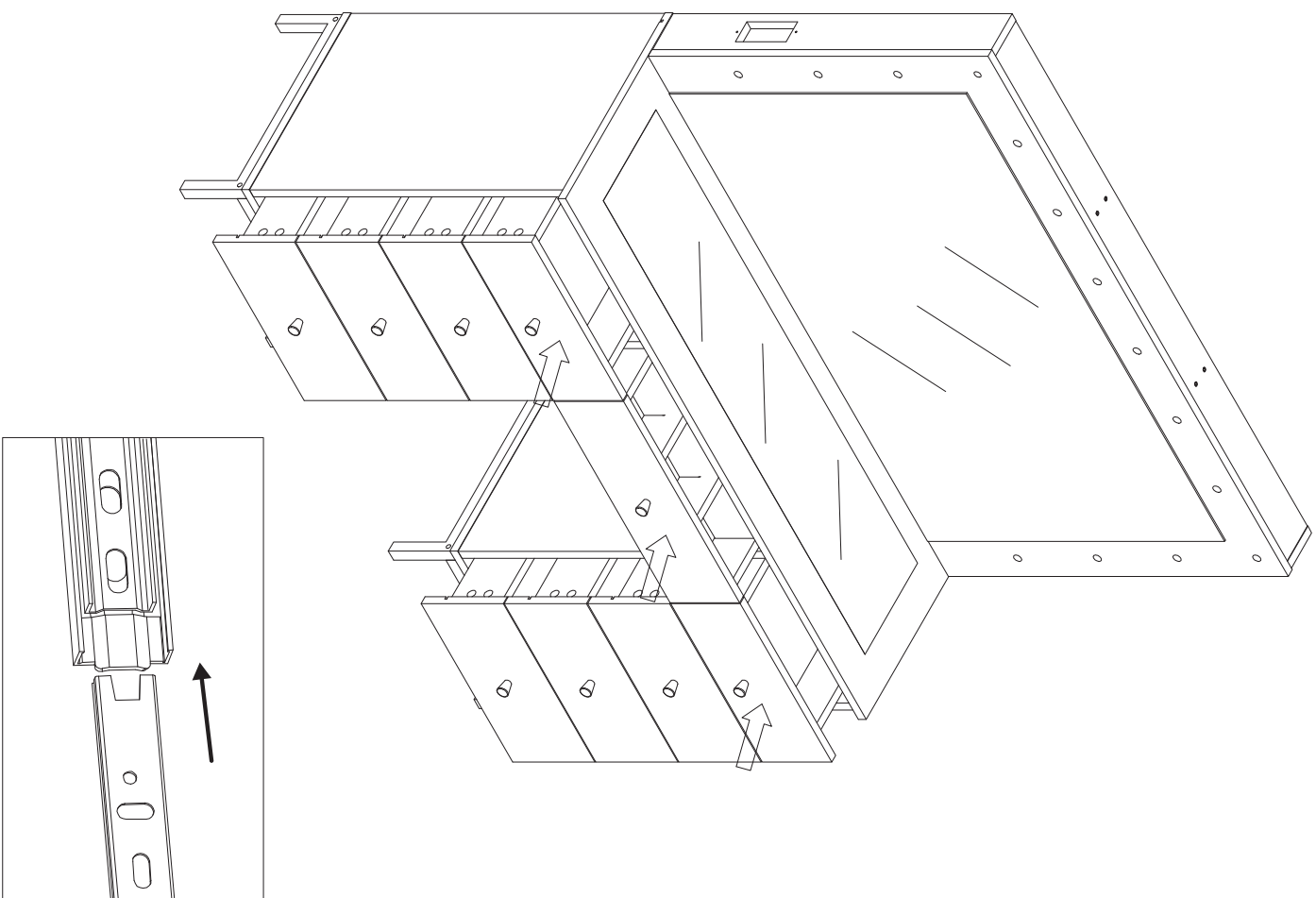
22 A*24 E*6 F*6 G2*12 C*24 D*24

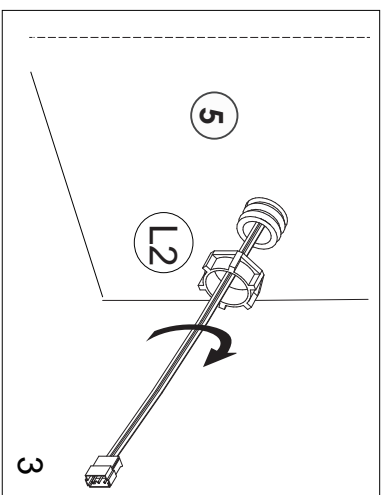
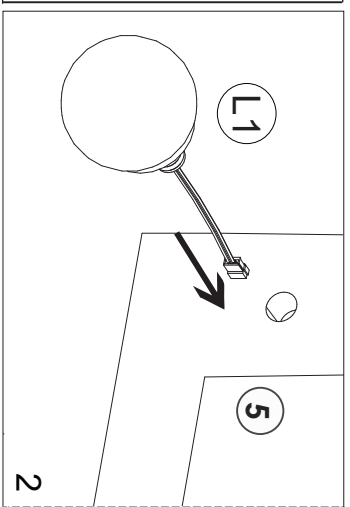
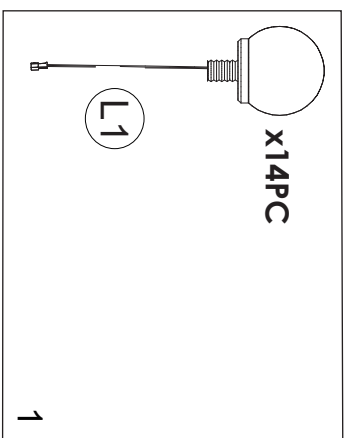
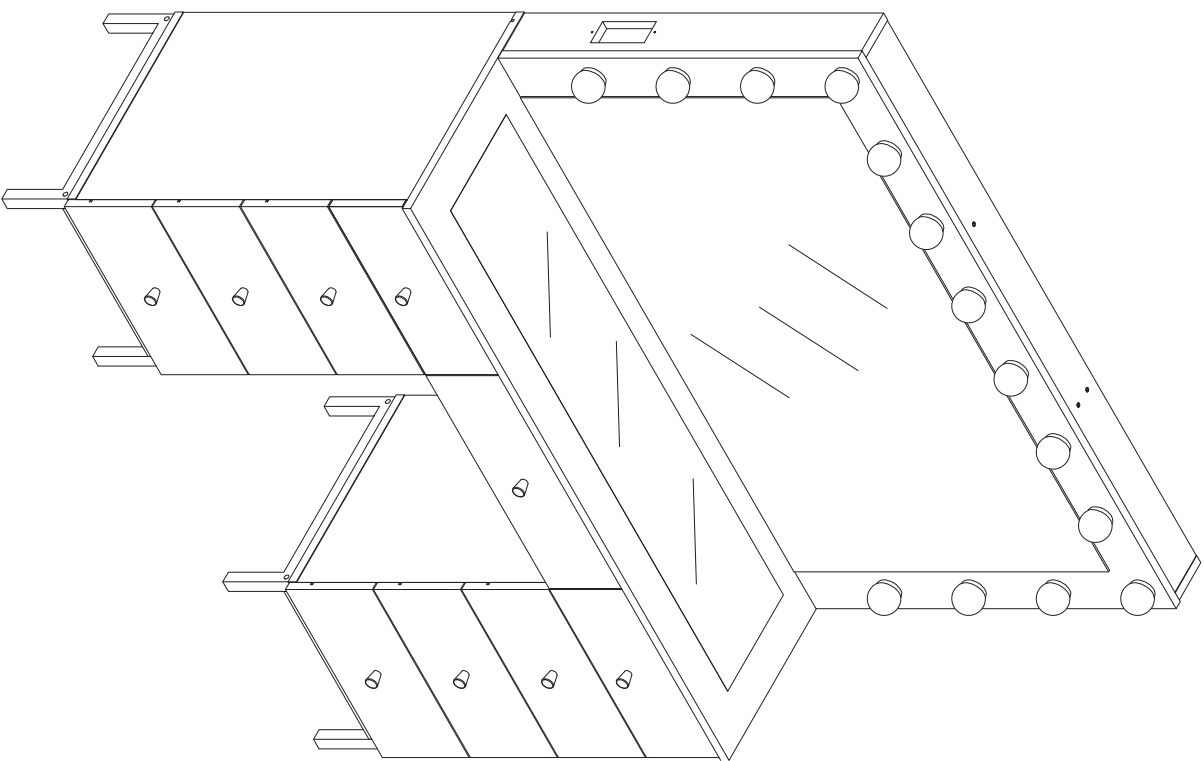


23

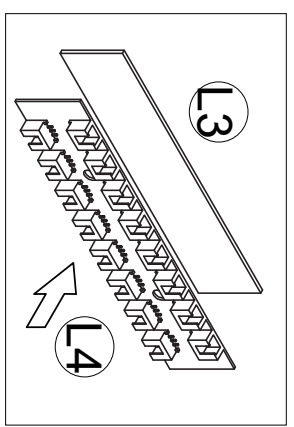
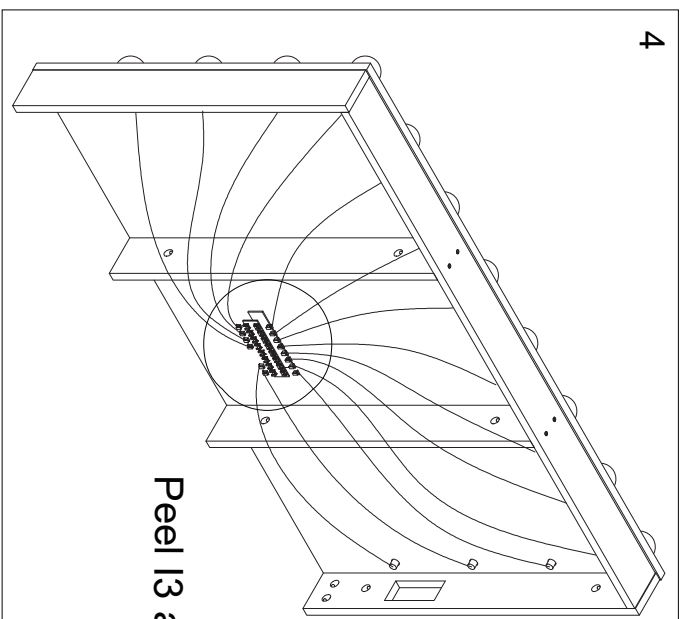


24



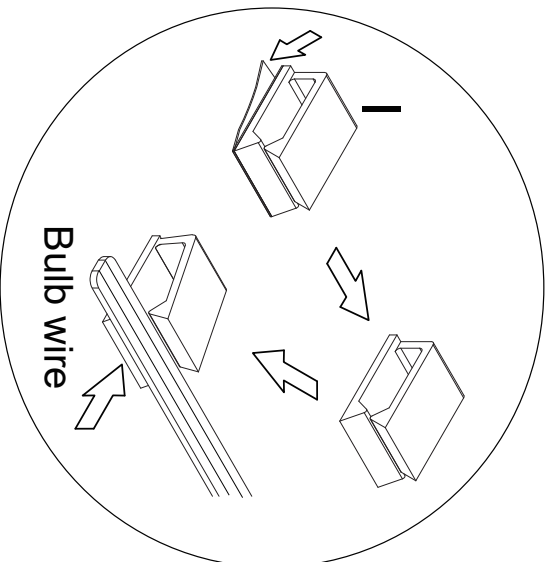
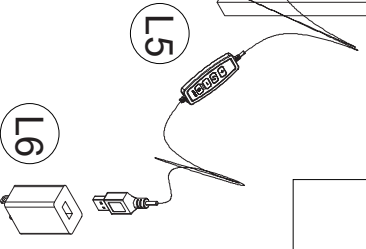
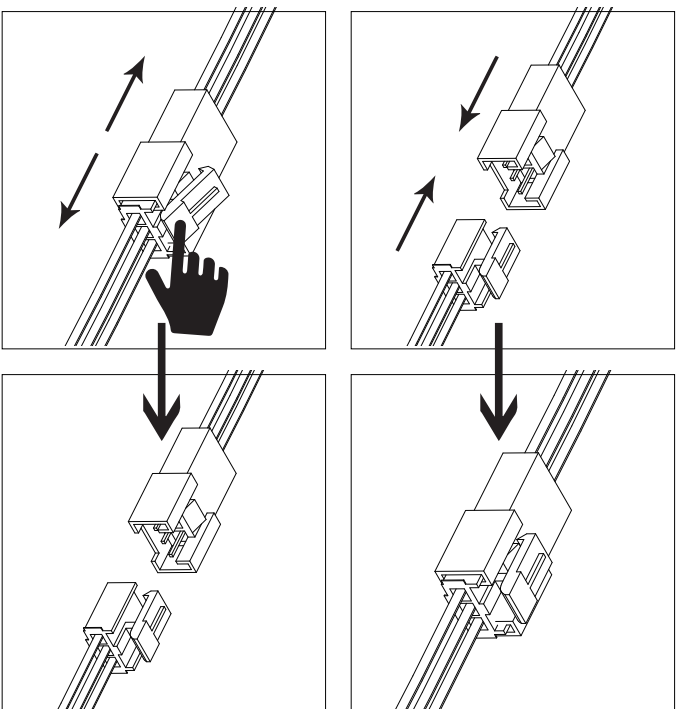
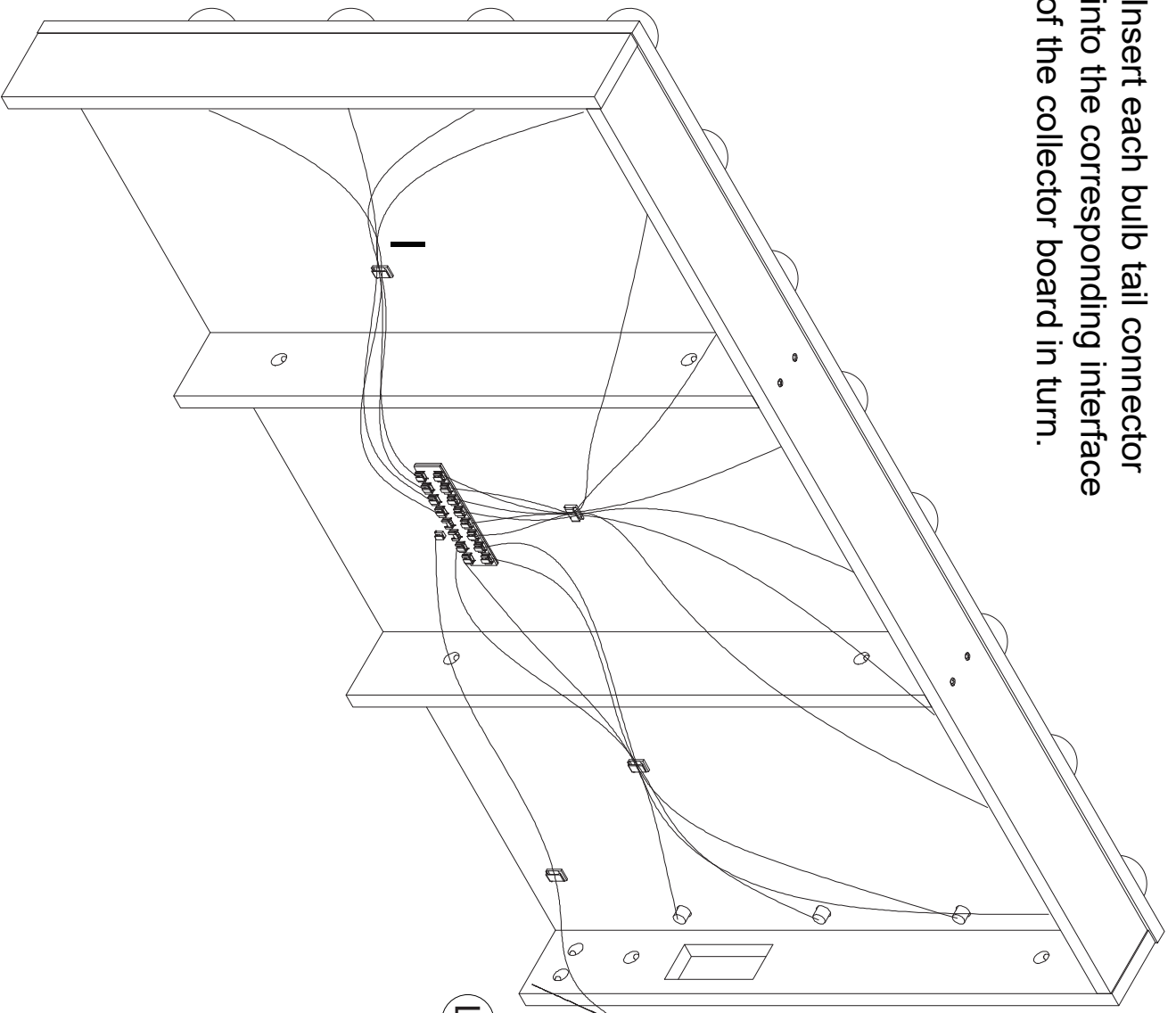


Thread 14 light bulbs into the holes one by one and tighten them with L2 nuts to secure them.



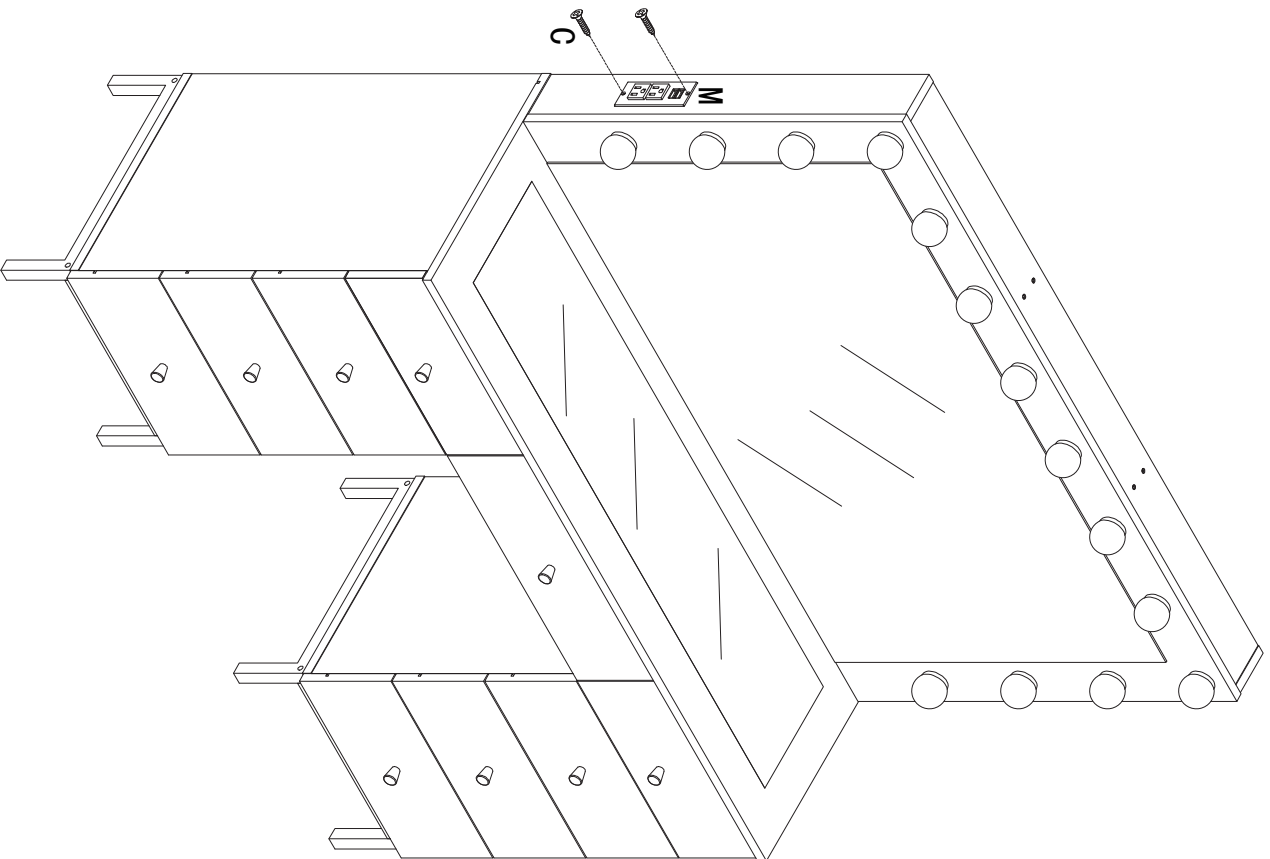
Peel L3 and stick to fix L4 on panel

Insert each bulb tail connector into the corresponding interface of the collector board in turn.



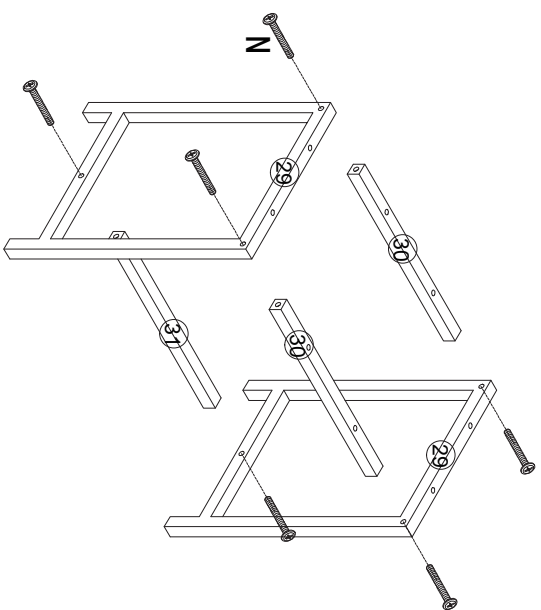
1*4 L*1

26



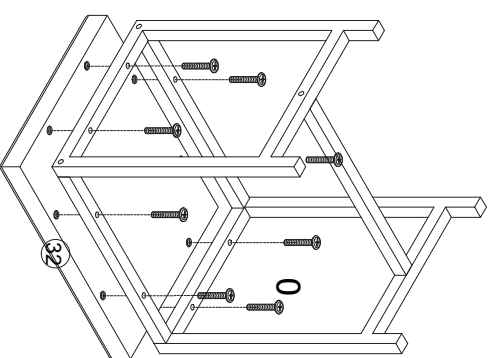
M*1 C*2

27



N*6

28



O*8

