

Instruction Manual

Please save this manual for future reference.

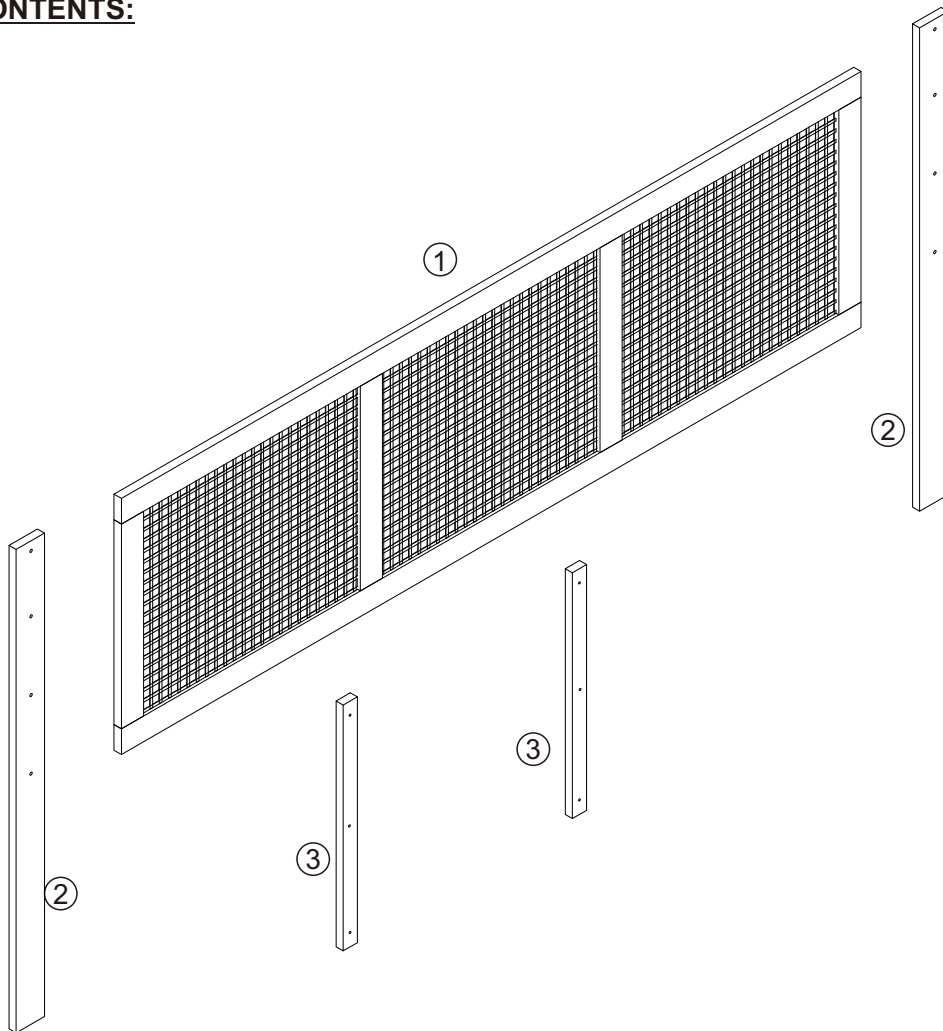
Product Name:	Product Name: Light Oak Finish Wood with Rattan Panels Headboard, Queen/Full

Thank you for purchasing this LuxenHöme product. This product has been manufactured with the highest standards of safety and quality.

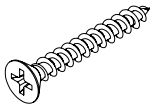
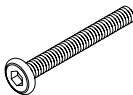
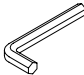
PLEASE READ ALL INSTRUCTIONS BEFORE ASSEMBLY.

Unpack all parts from the packaging inside the carton to ensure there are no missing or damaged parts. If any parts are missing or damaged, do not attempt to assemble or use the product.

CARTON CONTENTS:



Hardware:

Ax6 	Bx8 	Cx1 
--	--	--

Tools required for assembly: Allen wrench (included), screwdriver (not included).
If using power drill, please use care.

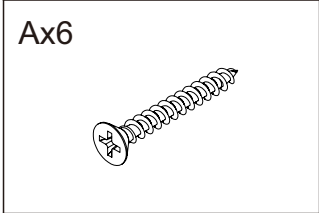
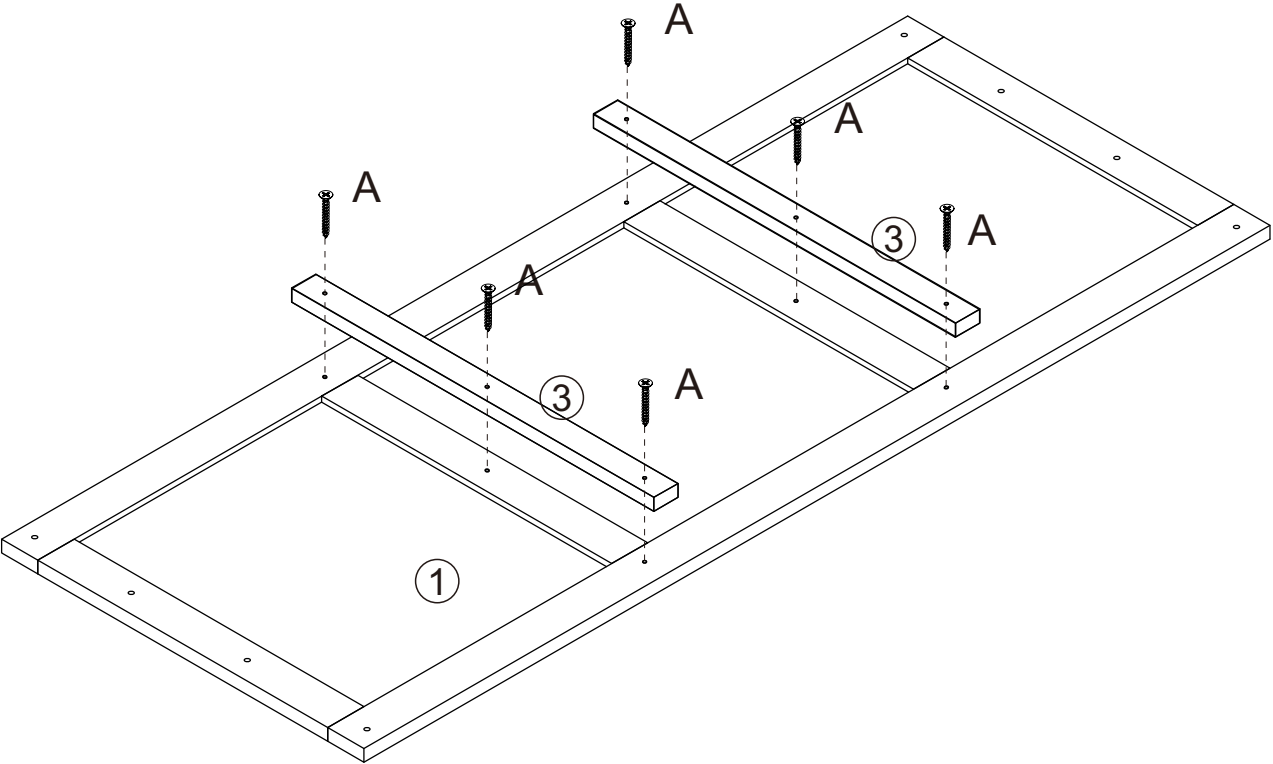
Instruction Manual

Please save this manual for future reference.

Product Name:	Product Name: Light Oak Finish Wood with Rattan Panels Headboard, Queen/Full
---------------	--

Assembly Instructions:

Step 1: Attach the two #3 panels to the back of the headboard using the screws (hardware A). See image below.

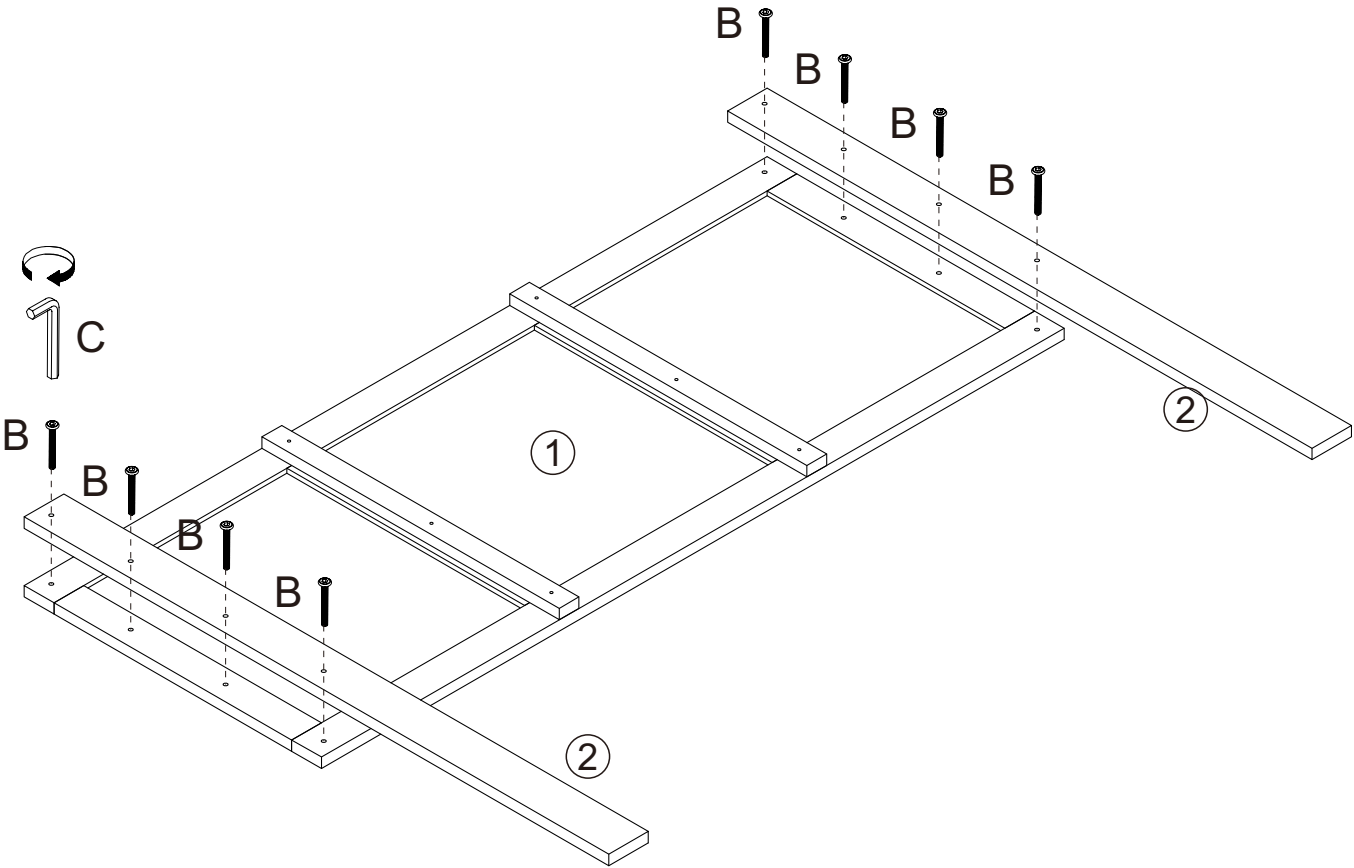


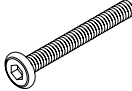
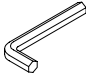
Instruction Manual

Please save this manual for future reference.

Product Name:	Product Name: Light Oak Finish Wood with Rattan Panels Headboard, Queen/Full
---------------	--

Step 2: Attach the two #2 legs to the back of the headboard using screws (B hardware). See image below.



Bx8	Cx1
	

Instruction Manual

Please save this manual for future reference.

Product Name:	Product Name: Light Oak Finish Wood with Rattan Panels Headboard, Queen/Full

The headboard is now ready to set up with your bed.

This freestanding headboard is quick and easy to attach to a bed frame.

1. Pull the bed frame away from the wall, and arrange the headboard to rest against the desired spot on the wall.
2. Push the bed frame up against the headboard until the headboard fits snug between the wall and the bed.
3. Make your bed and enjoy!

