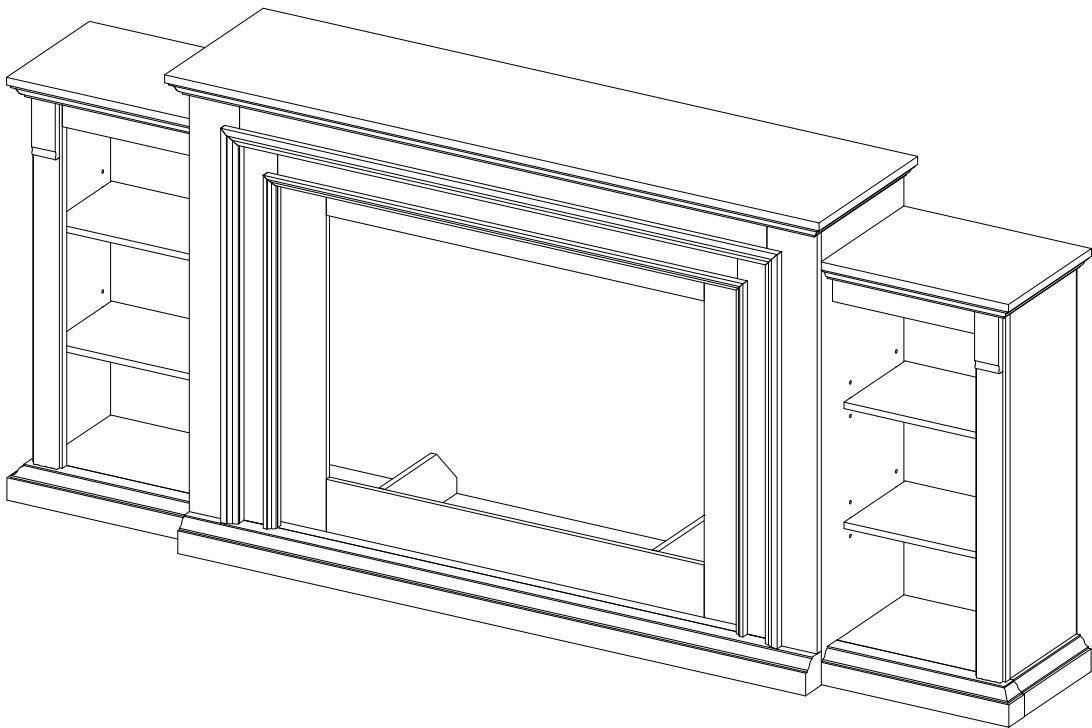
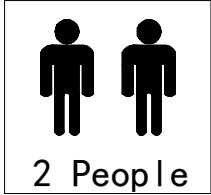
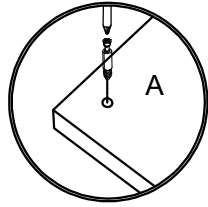


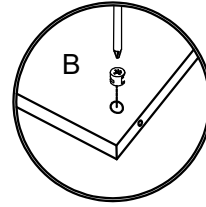
ASSEMBLY INSTRUCTIONS



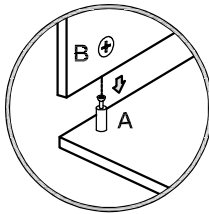
How to use the cam lock system



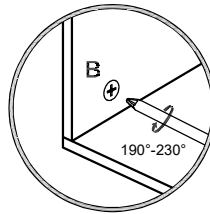
1. Screw cam bolt into panel



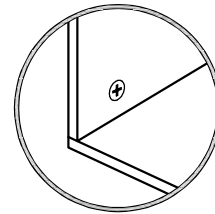
2. Push cam into panel - arrow feature on cam top points to panel edge



3. Align cam bolt(s) with cam(s) and insert all the way into cross-bored hole(s)

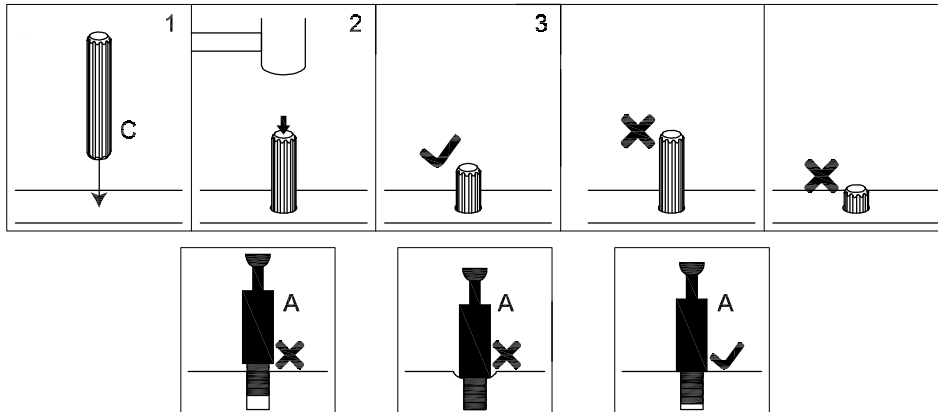


4. Rotate cam(s) clockwise 190°-230° to lock panels together



5. Panels should be tight against each other and connection should be rigid

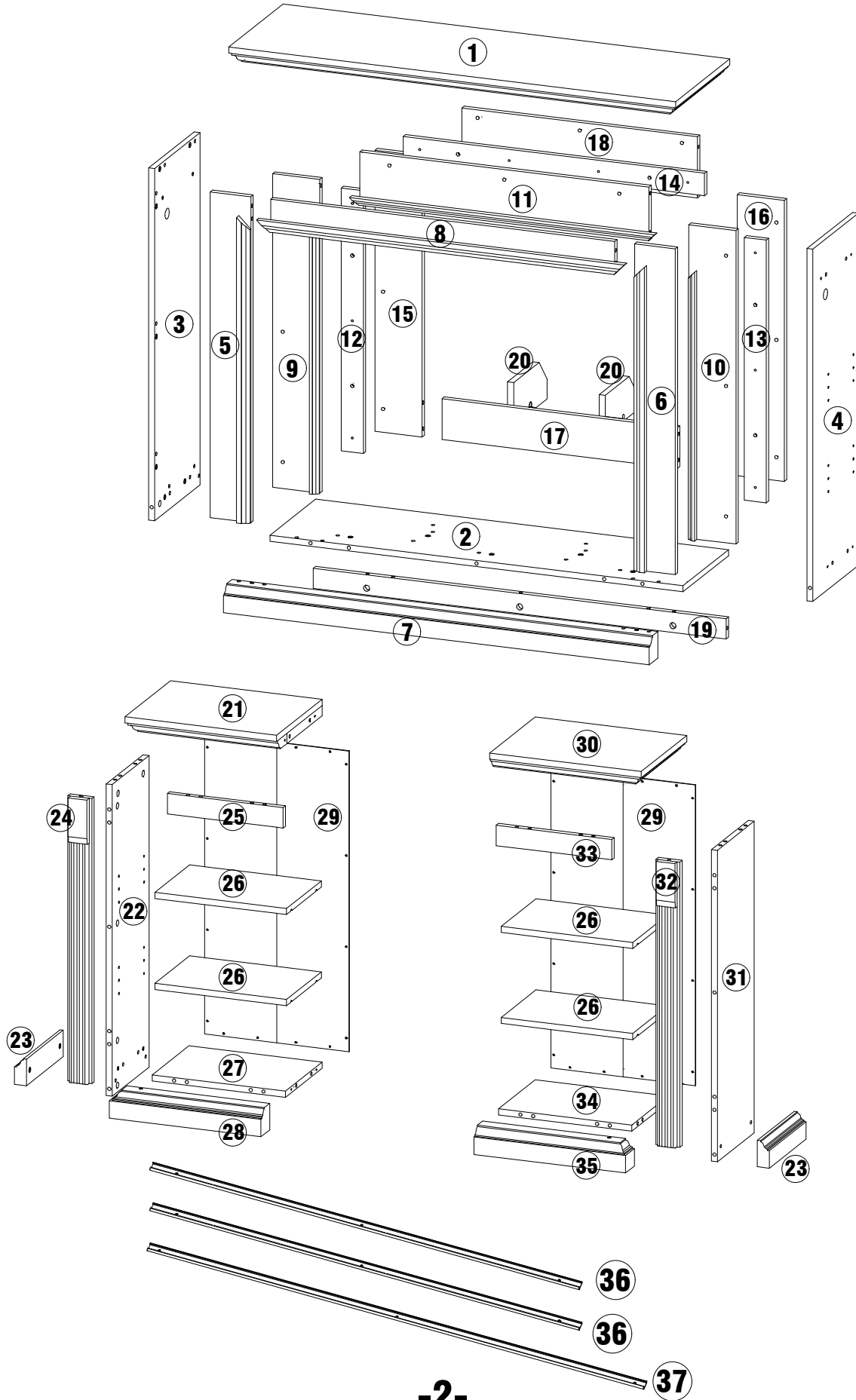
Insert the wood dowel [C] at least half way by tapping lightly with a rubber mallet, IF NECESSARY.



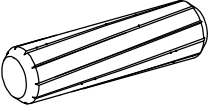
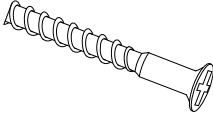
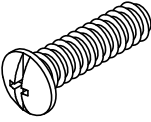
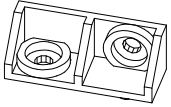
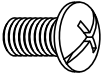
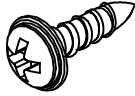
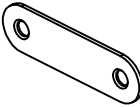
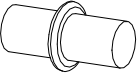
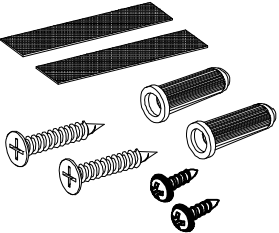



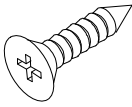
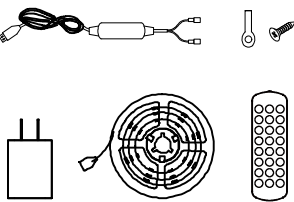
⚠ WARNING

- Unit must be placed on a level surface or leveled with included hardware (when applicable).
- Do not sit or stand on or allow children to climb, sit or stand on the assembled product.
- For safety reasons, it is imperative that this unit be mounted to the wall.
- Do not use without installing the tip restraint.
- Unit can tip over causing severe injury or death.
- Do not exceed the recommended weight limits.
- Evenly distribute the weight on each level and always keep the heavier loads on the bottom.
- Before cutting, drilling or hammering into any wall or floor surface, verify the location of electrical, plumbing and gas lines. Cutting may cause serious injury.

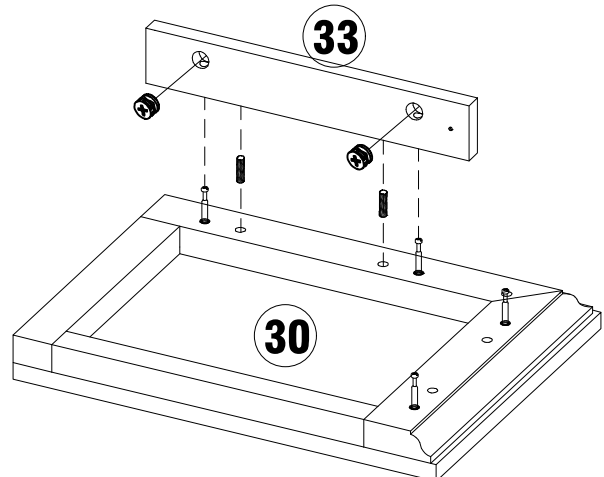
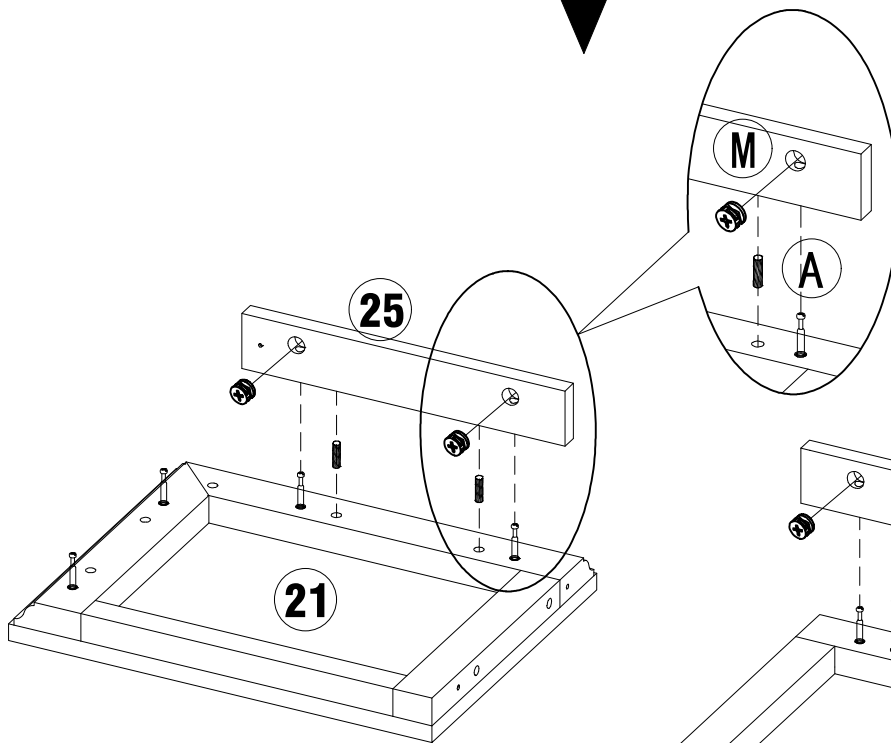
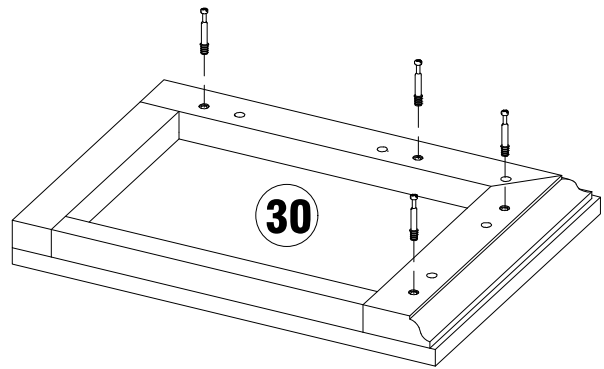
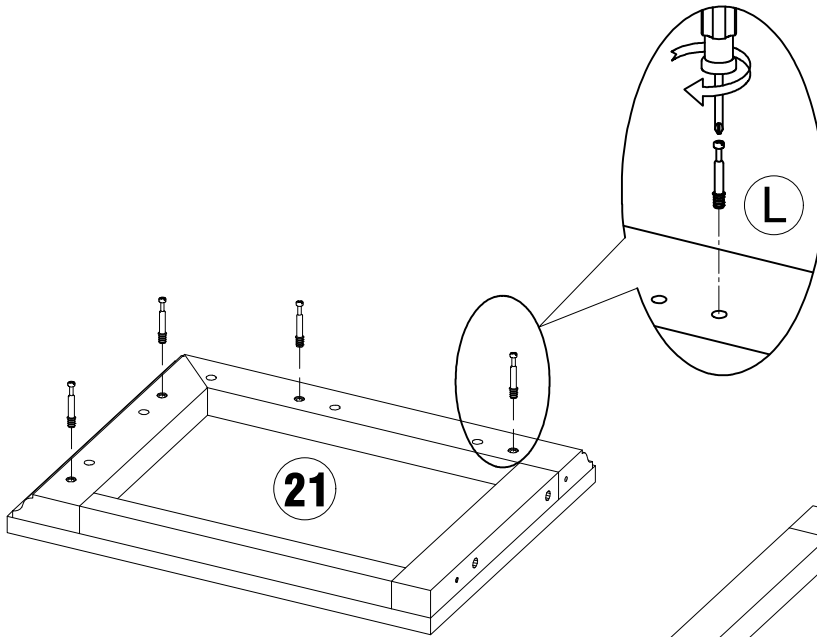
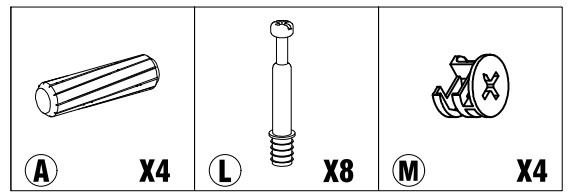
PACKAGE INCLUDE



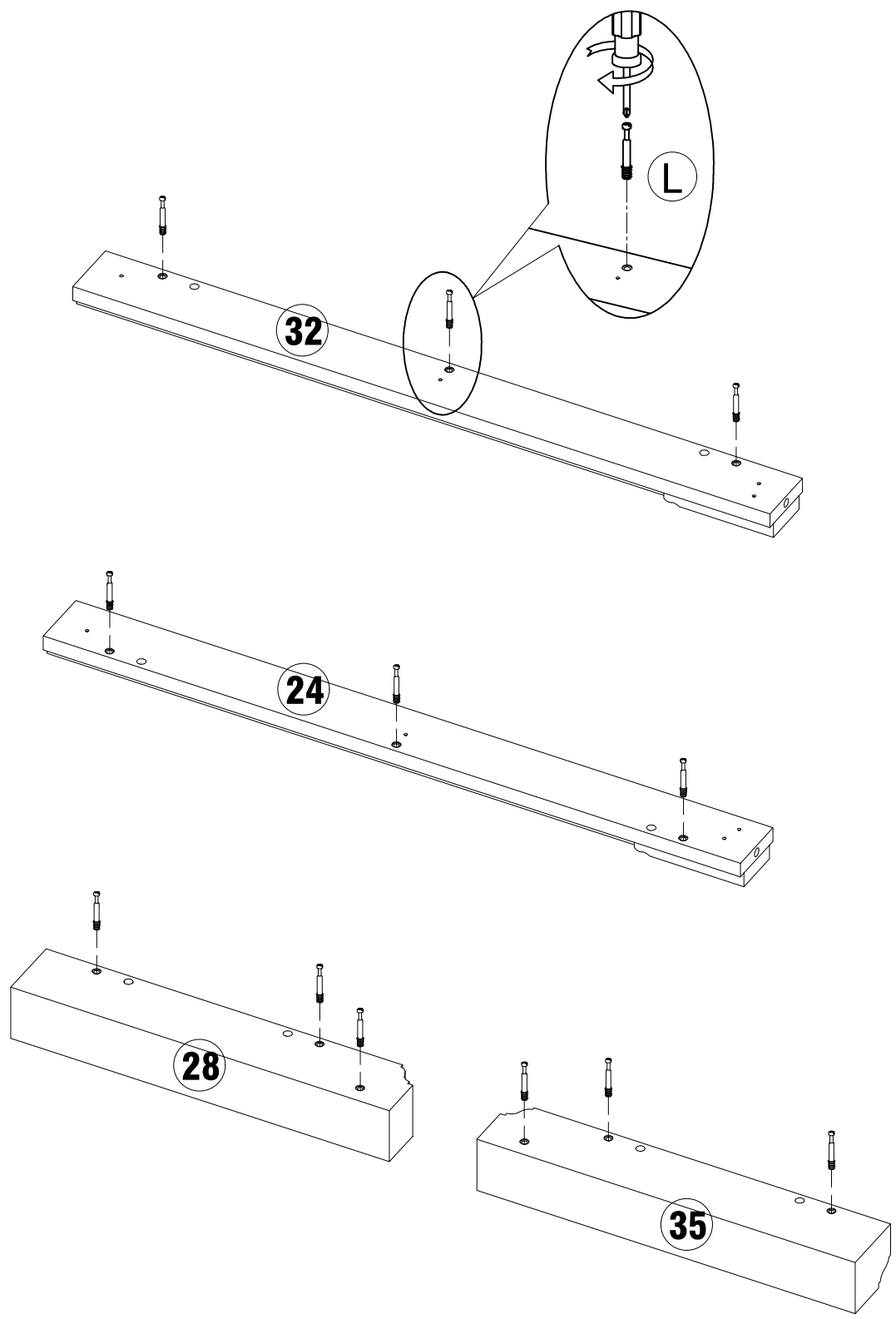
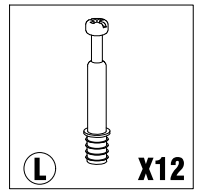
PACKAGE CONTENT

<p>∅6X30MM</p>  <p>A 66X+2</p>	 <p>B 8X+1</p>	 <p>C 22X+2</p>	 <p>D 22X</p>
 <p>E 44X+2</p>	<p>∅3X12MM</p>  <p>F 61X+2</p>	 <p>G 10X</p>	 <p>H 16X+2</p>
 <p>J 1X</p>	<p>∅8X20MM</p>  <p>K 6X+1</p>	 <p>L 34X+2</p>	 <p>M 34X+2</p>
 <p>N 10X+1</p>	 <p>P 1X</p>		

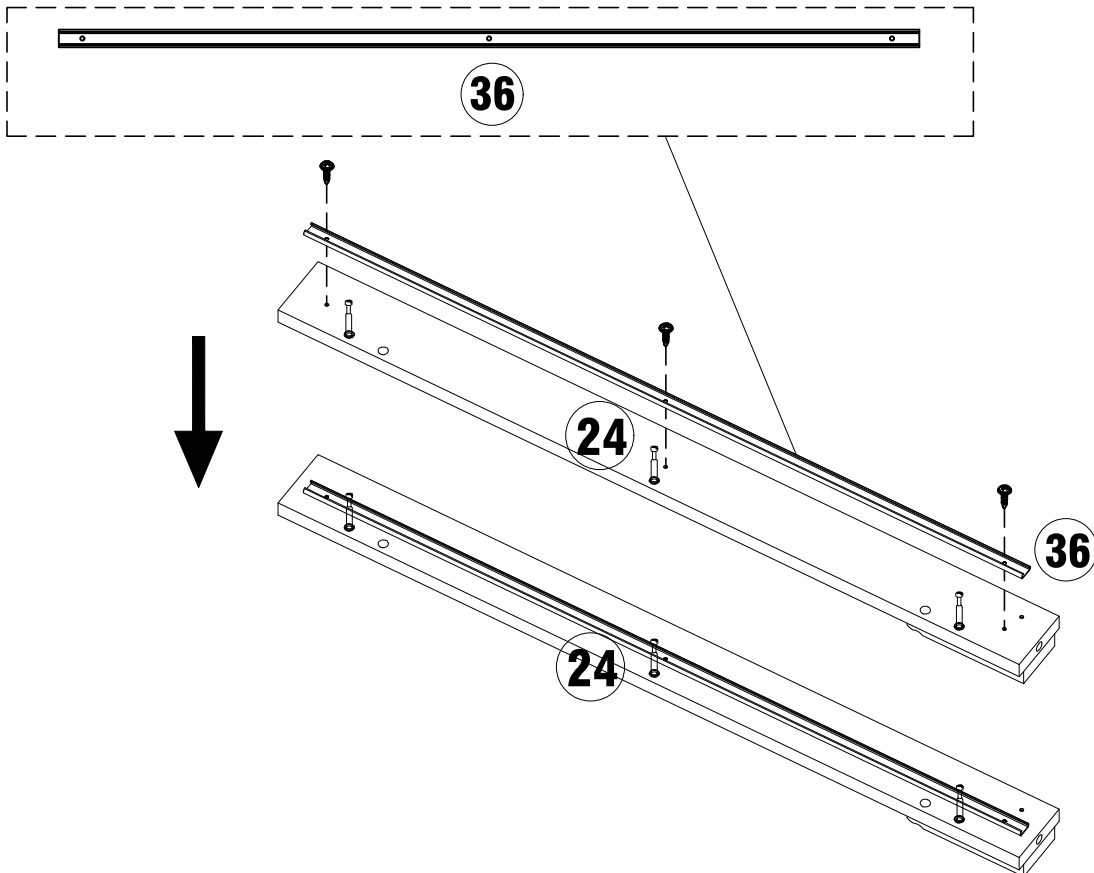
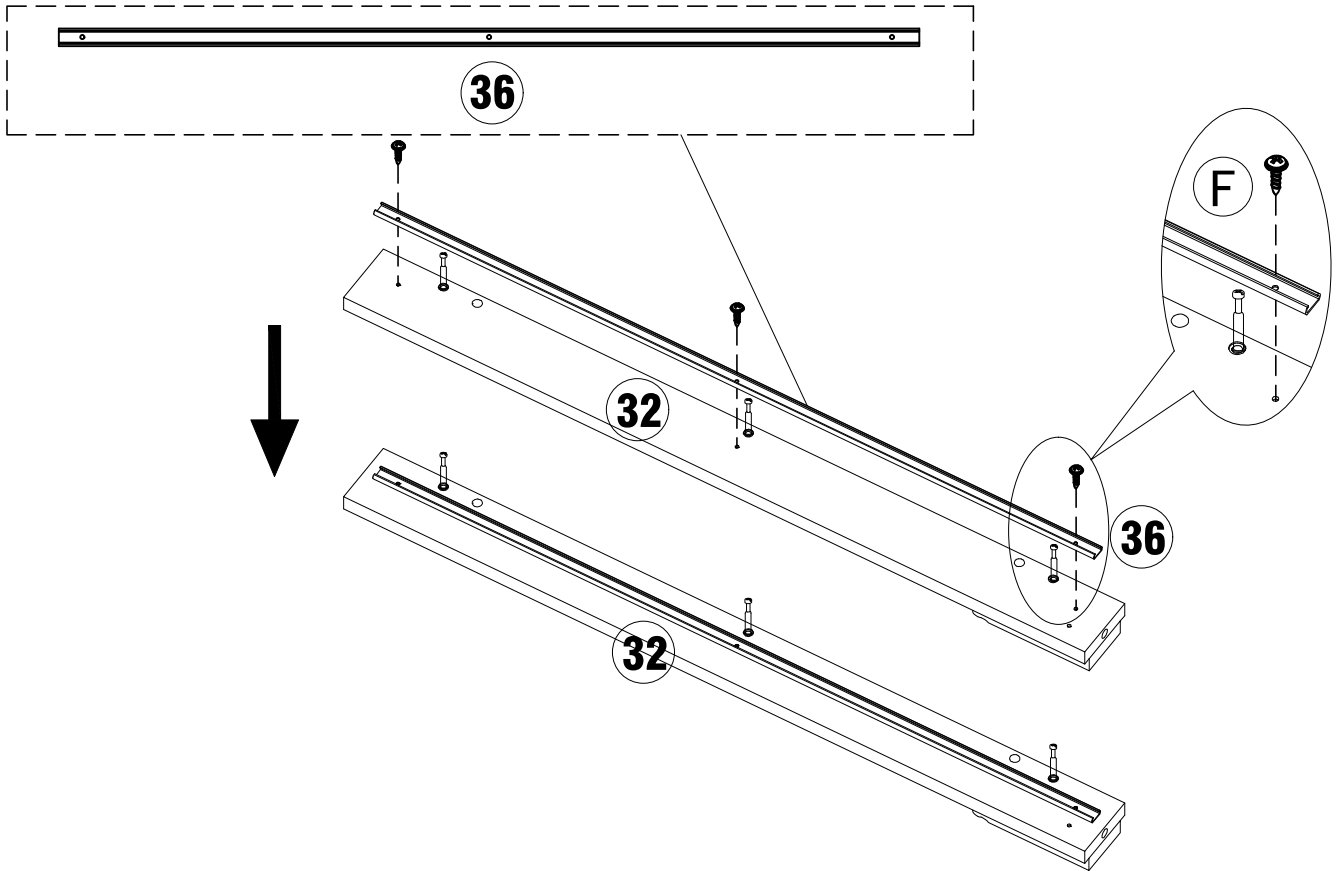
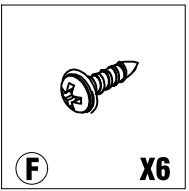
STEP 1



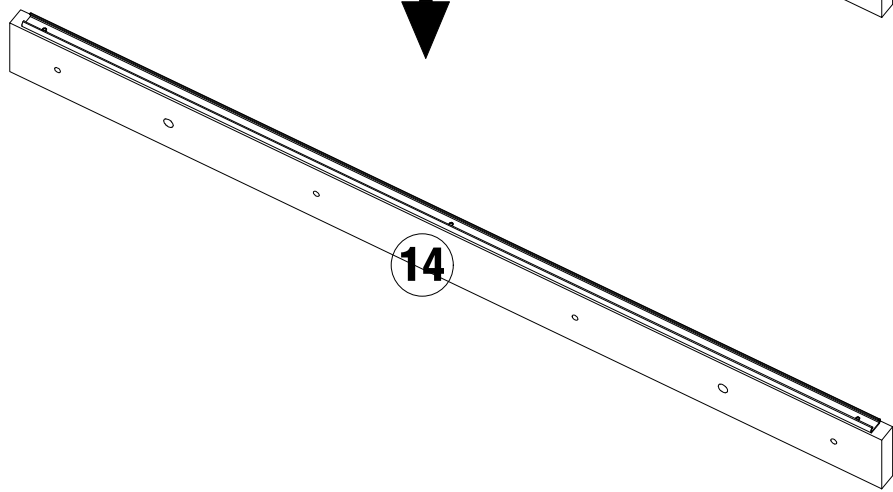
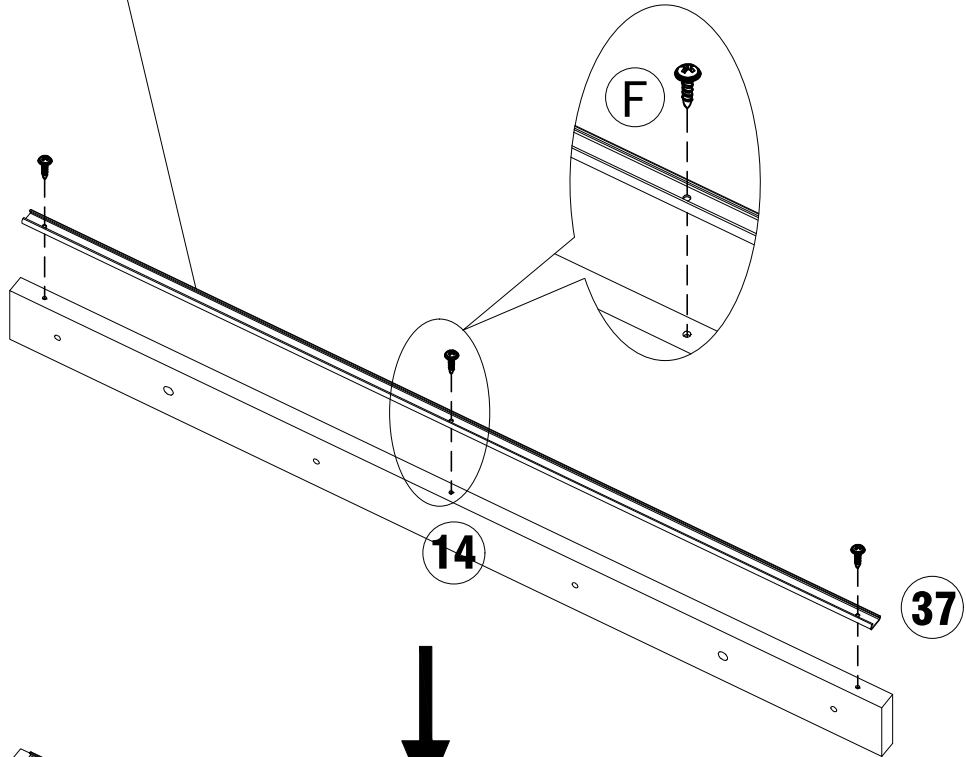
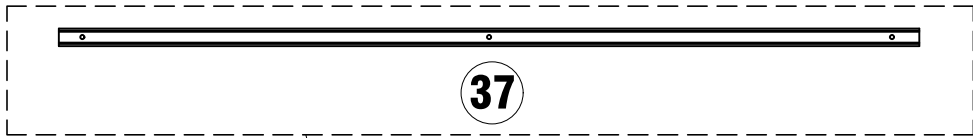
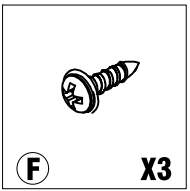
STEP 2



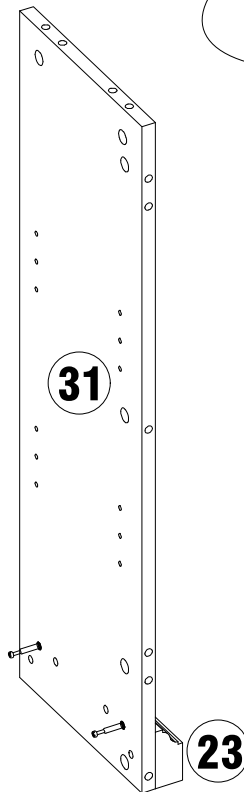
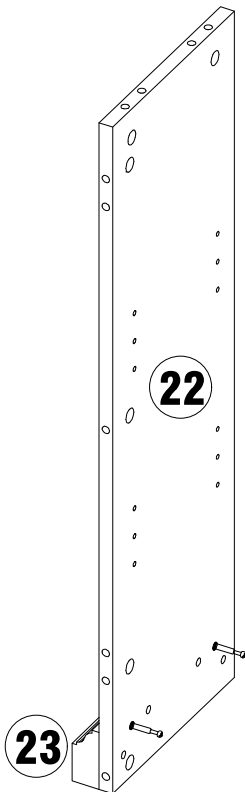
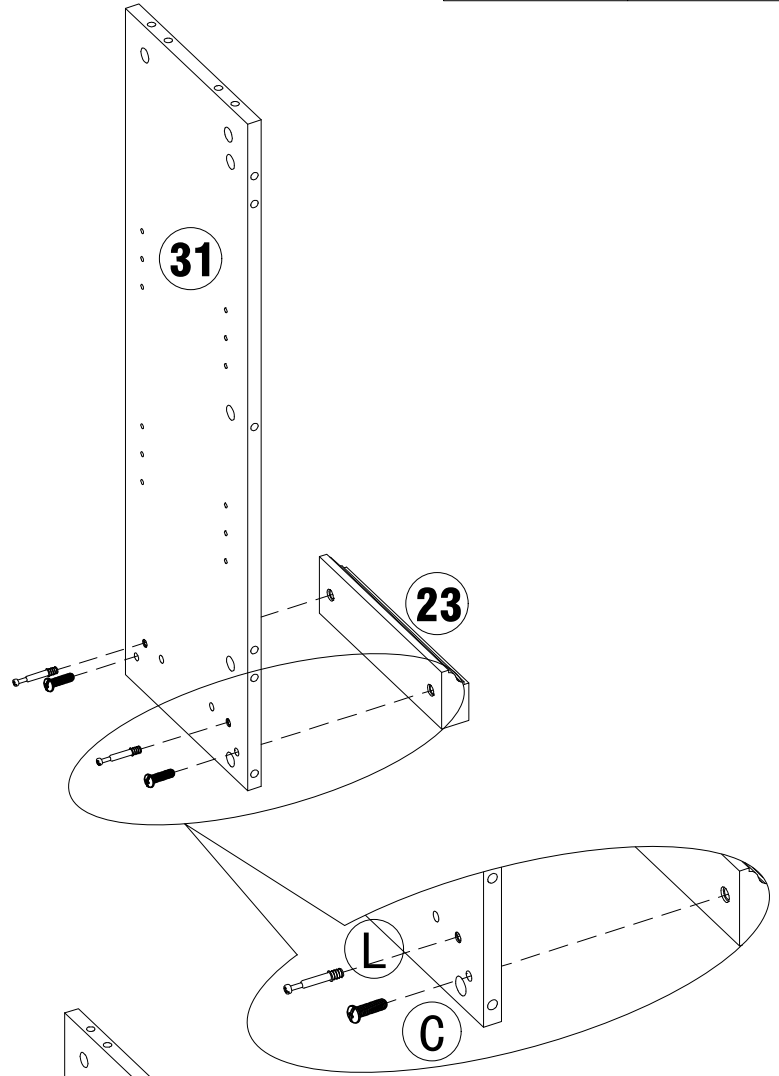
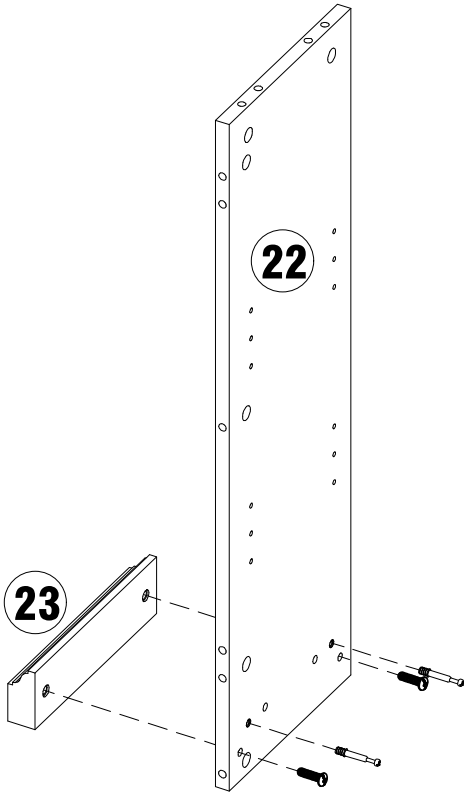
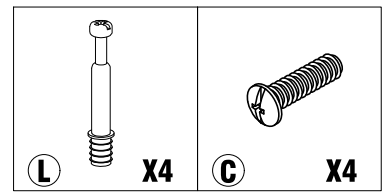
STEP 3



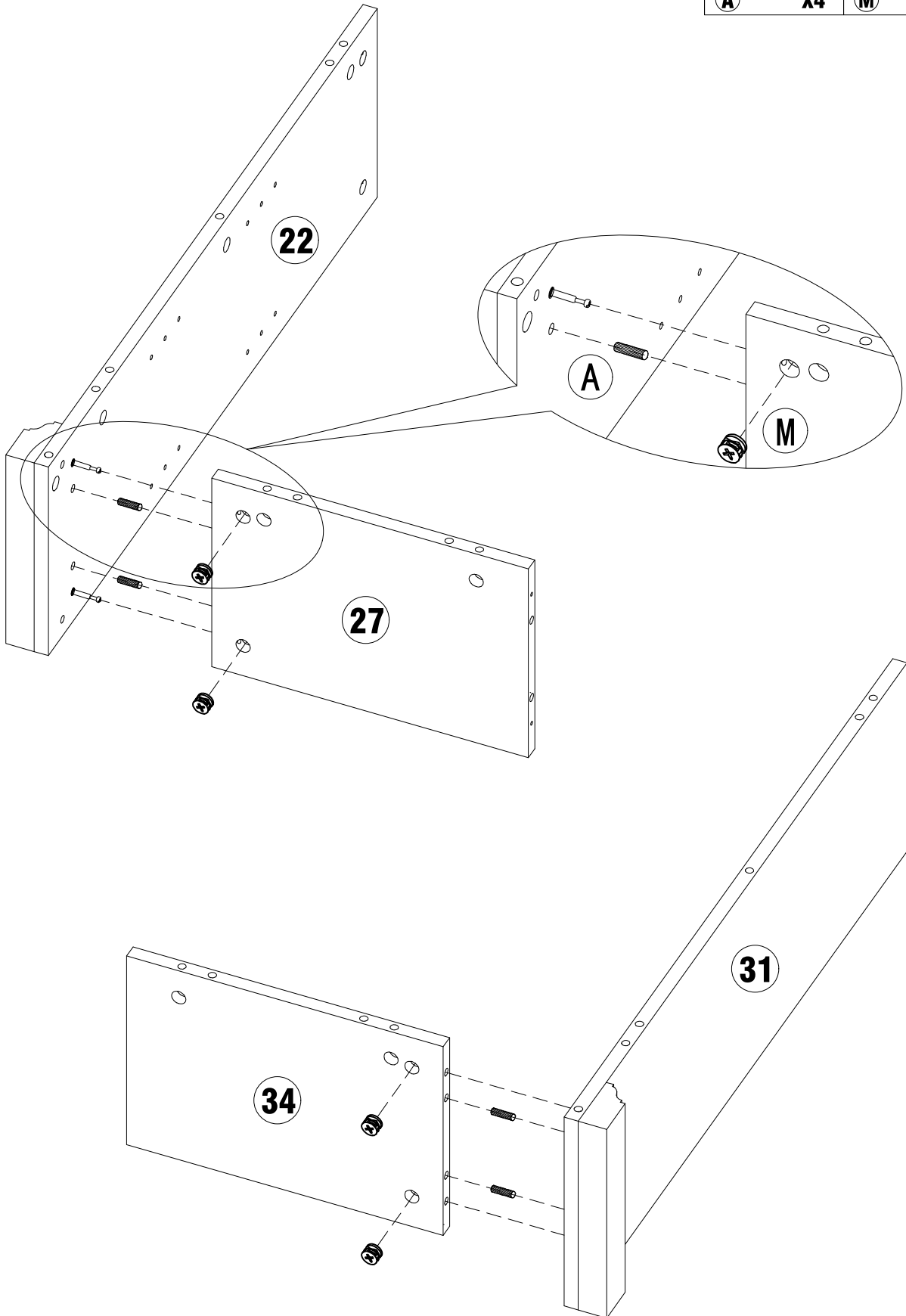
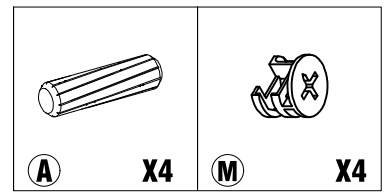
STEP 4



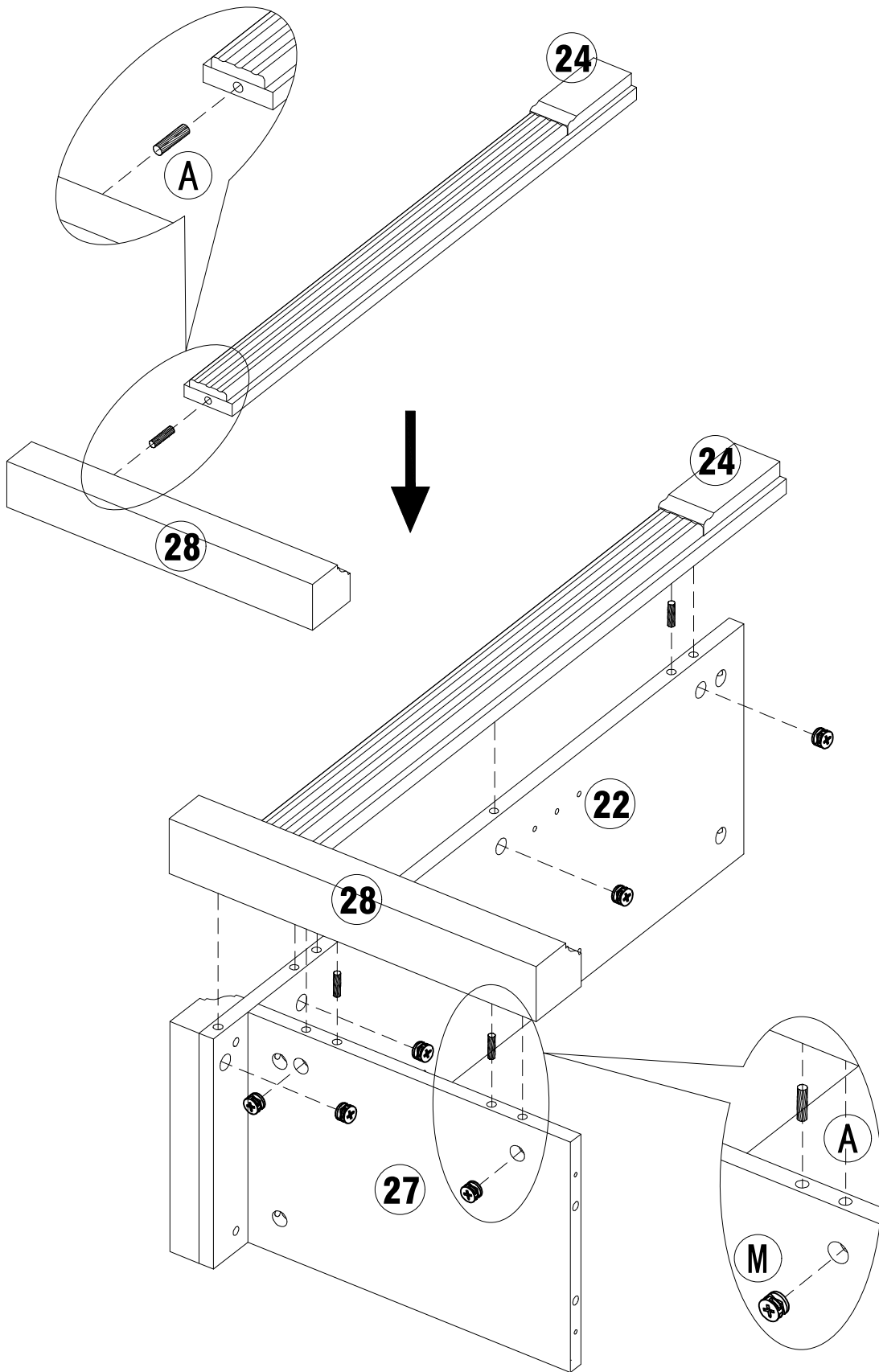
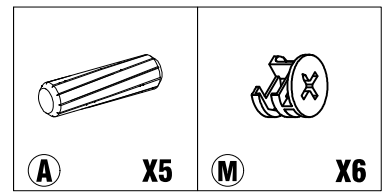
STEP 5



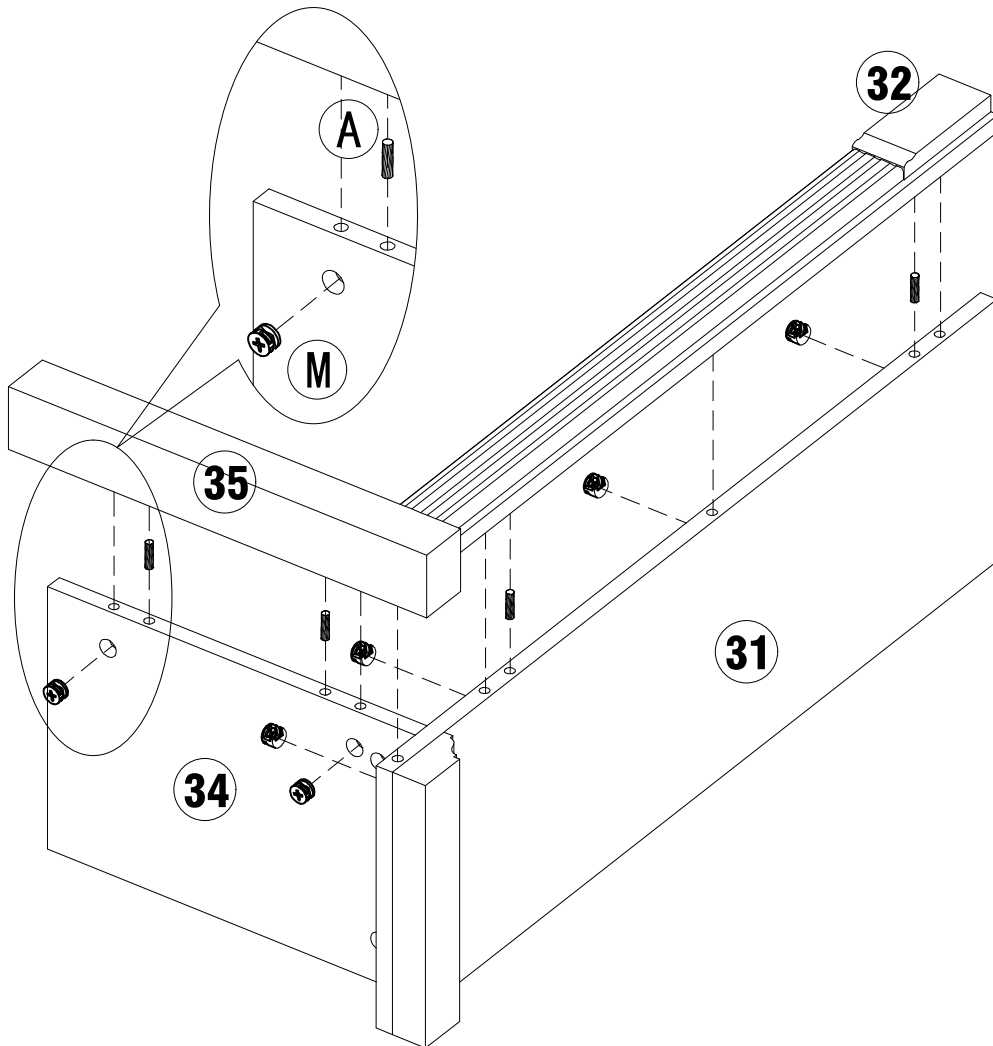
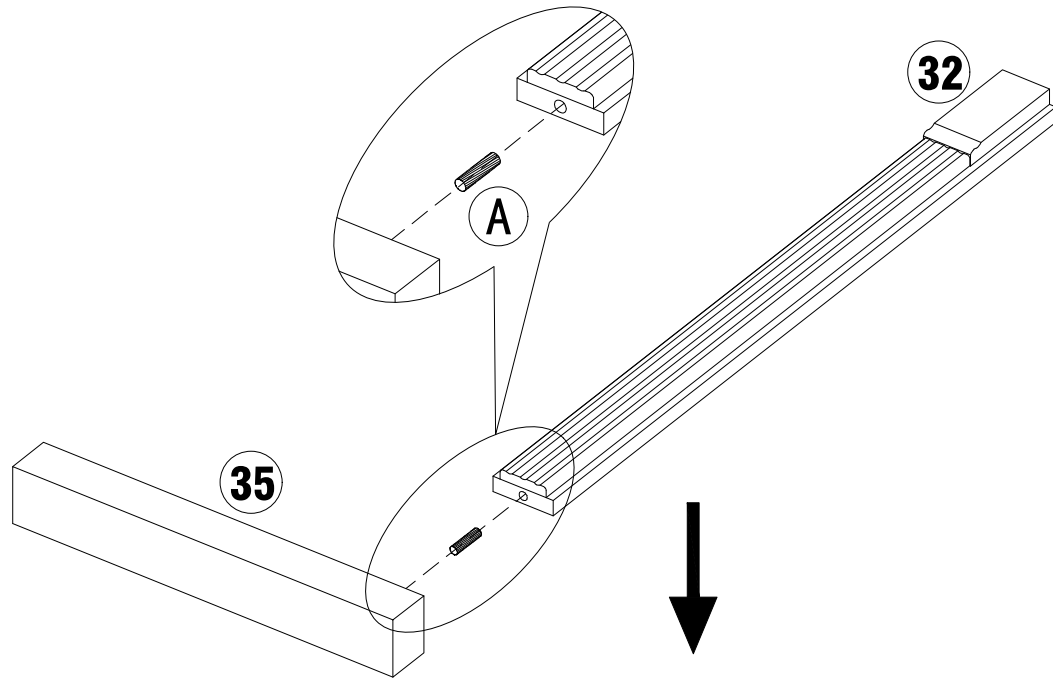
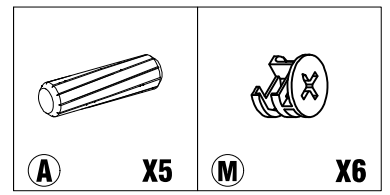
STEP 6



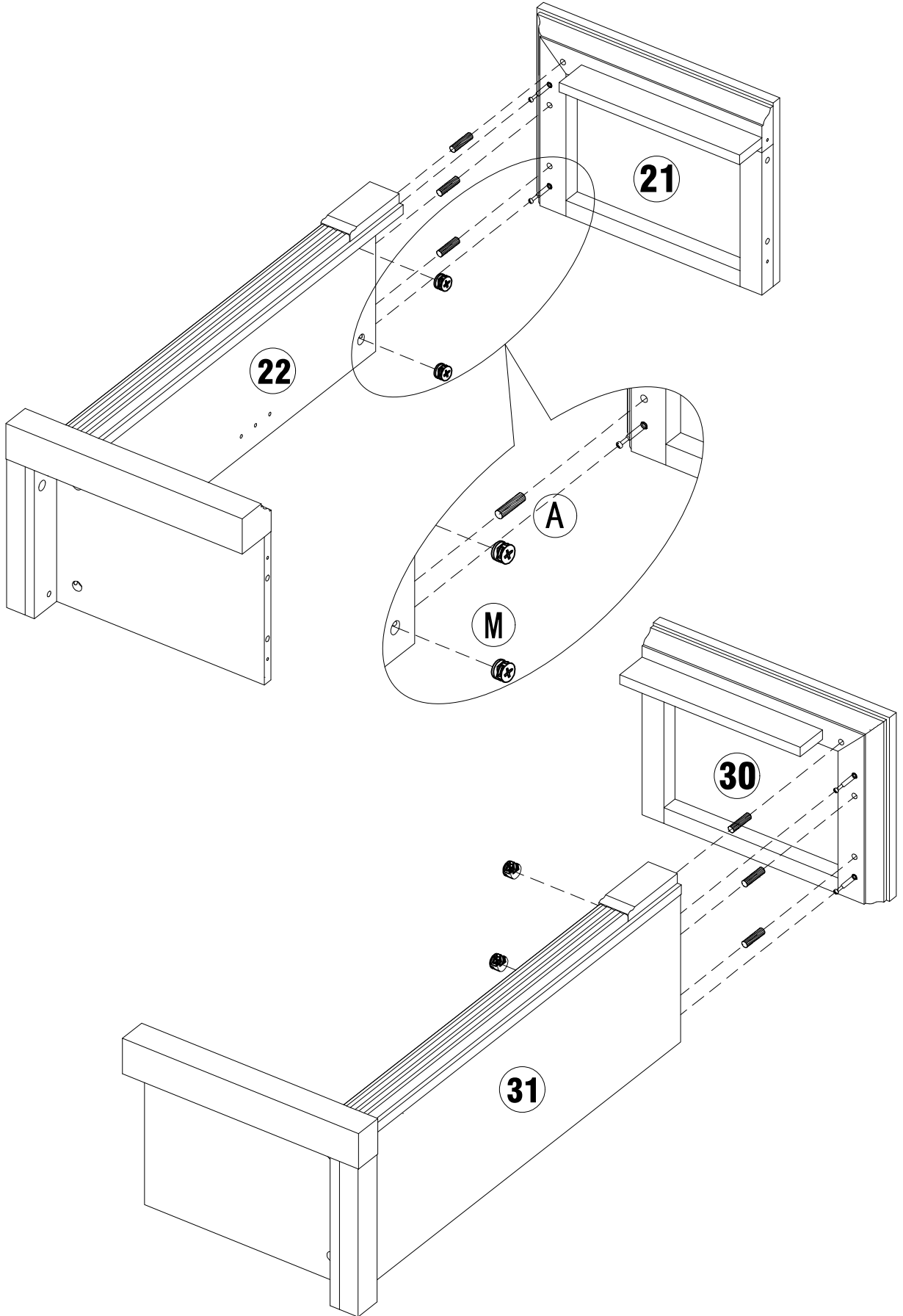
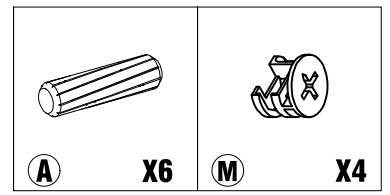
STEP 7



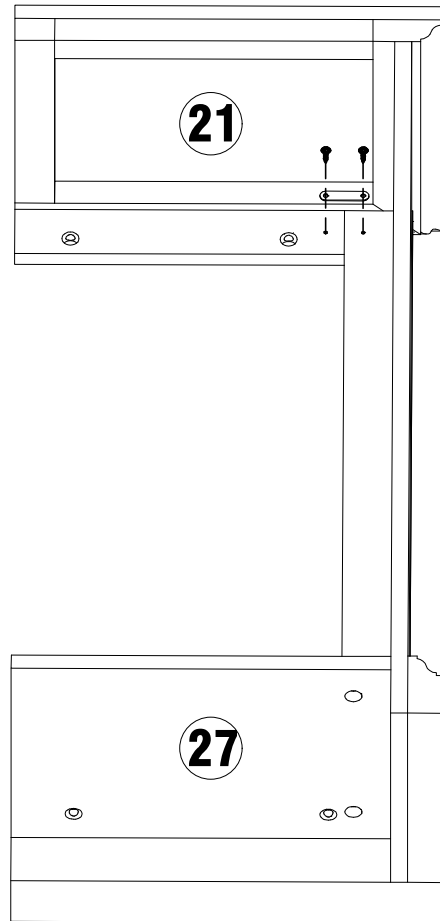
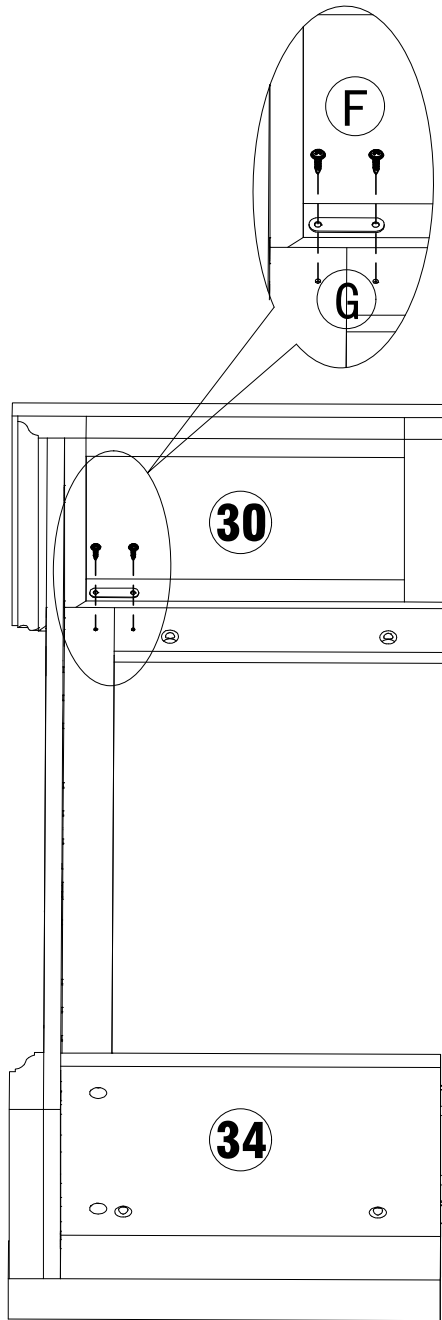
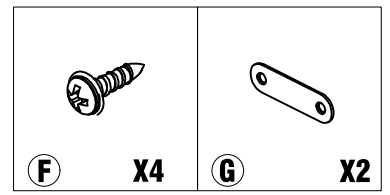
STEP 8



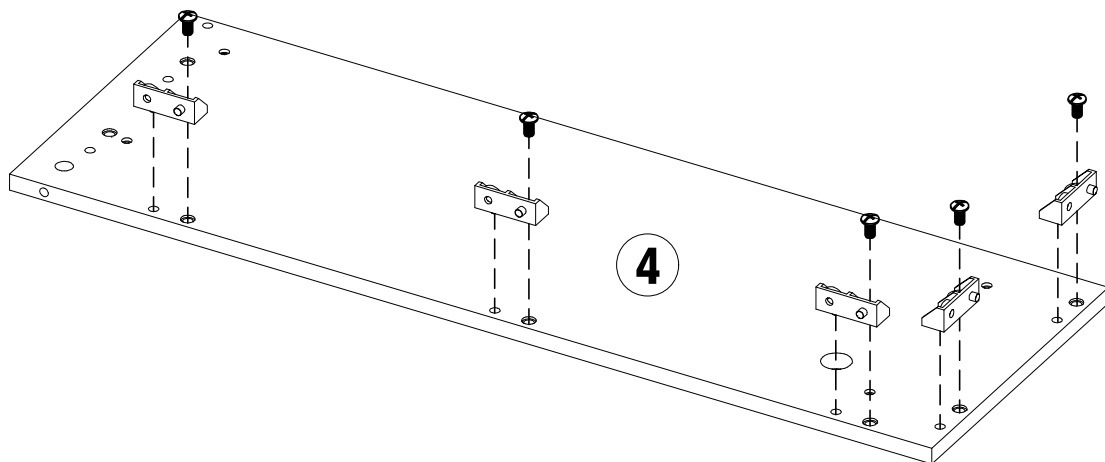
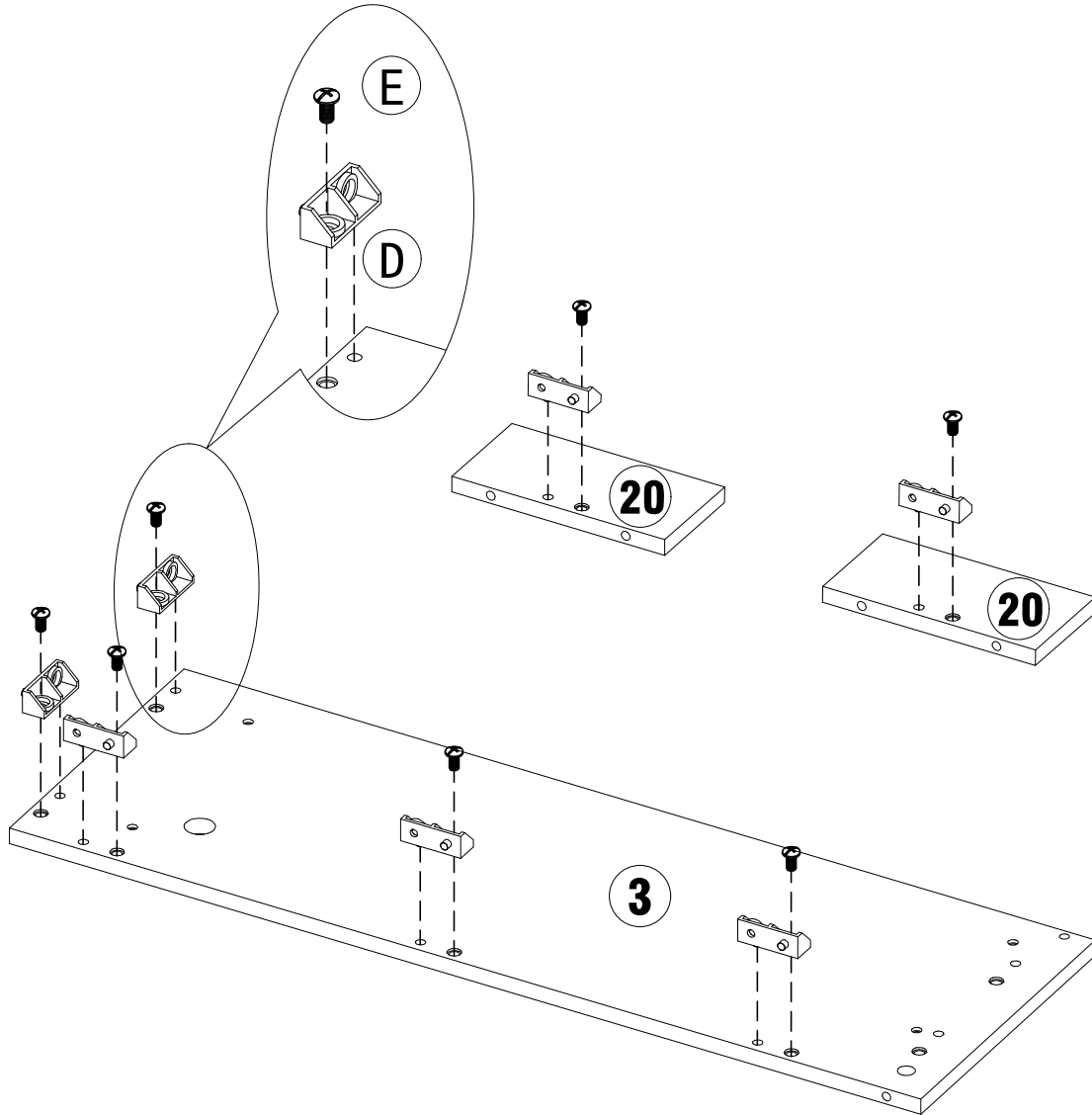
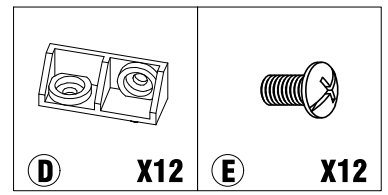
STEP 9



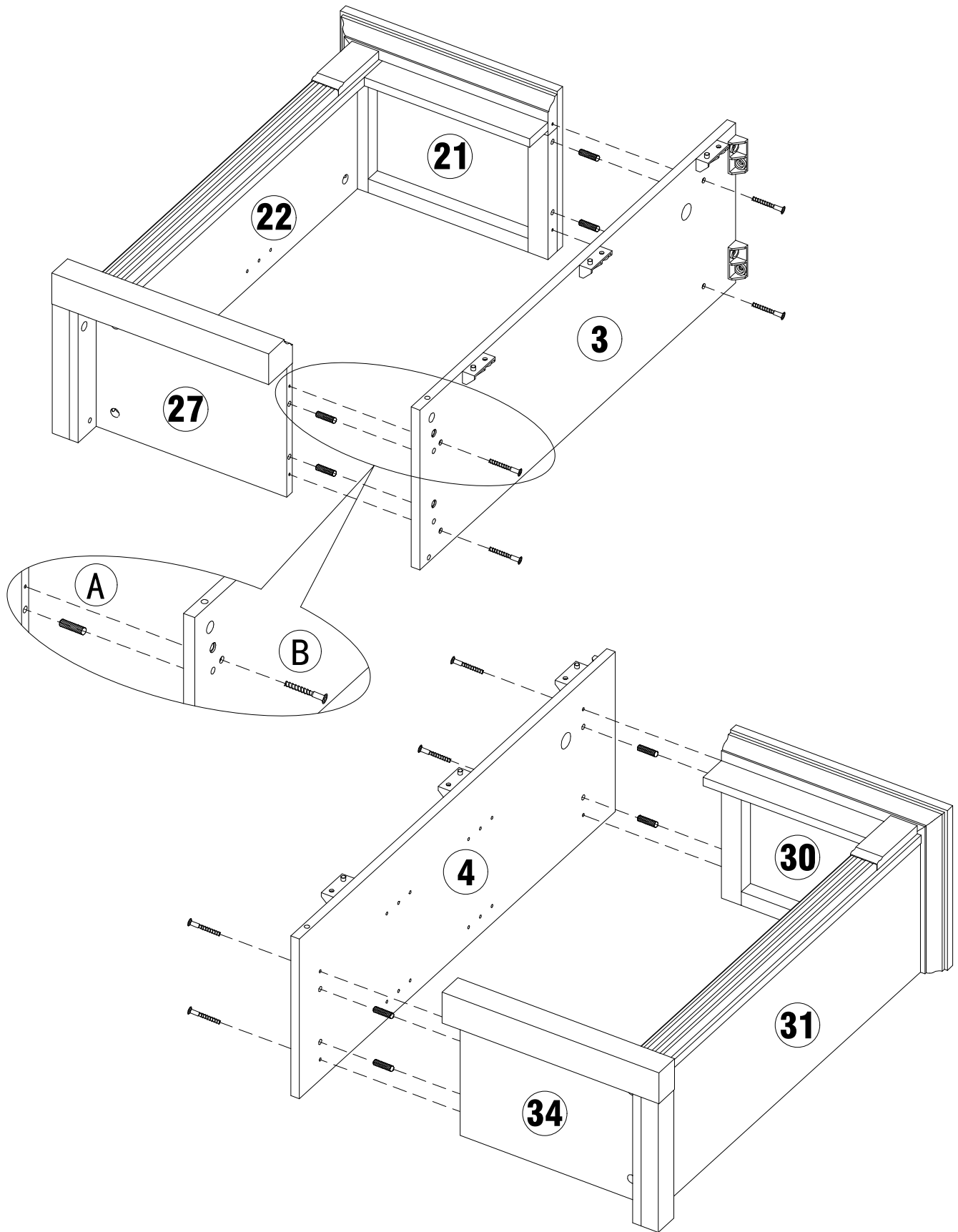
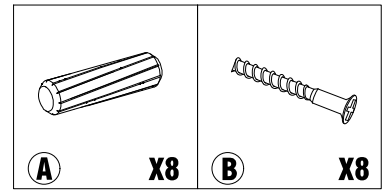
STEP 10



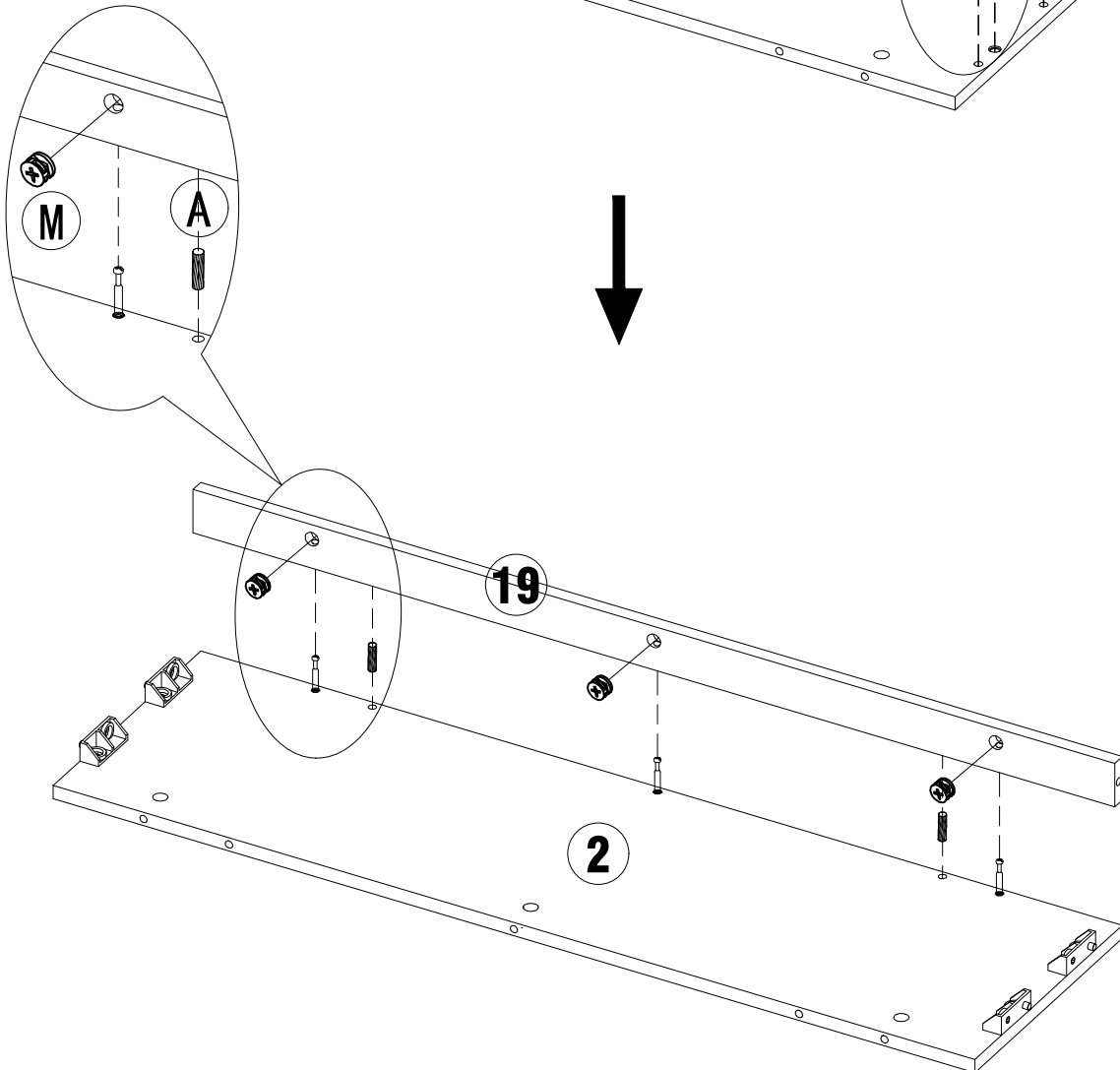
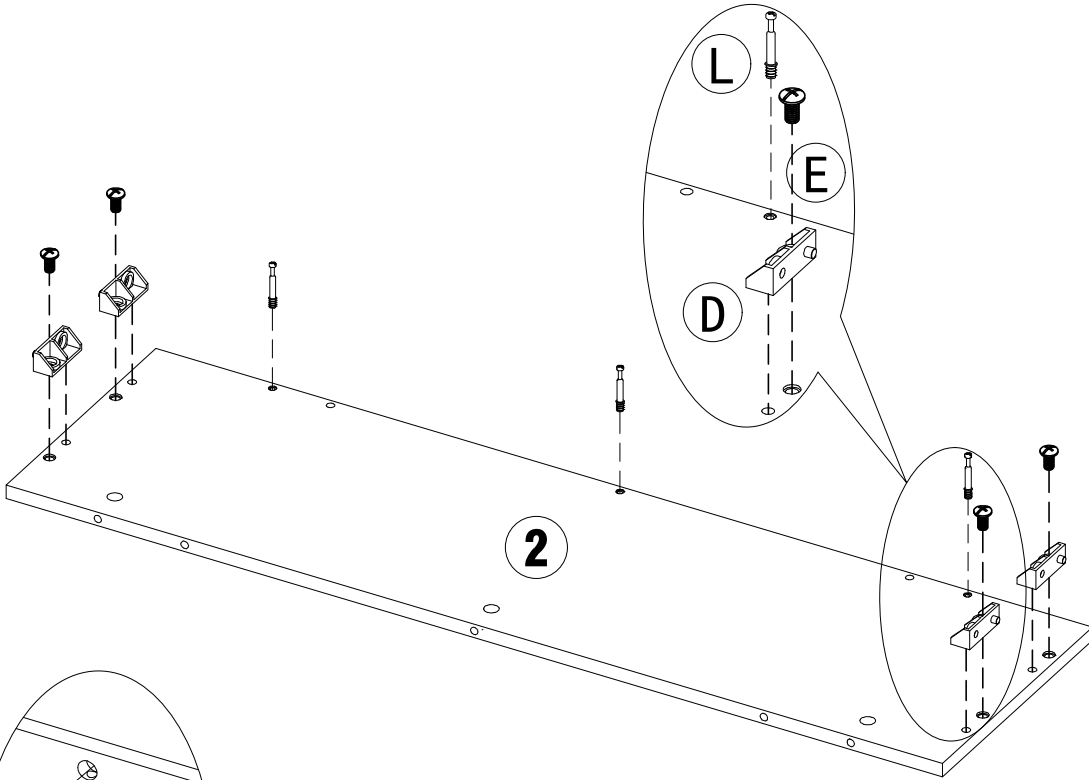
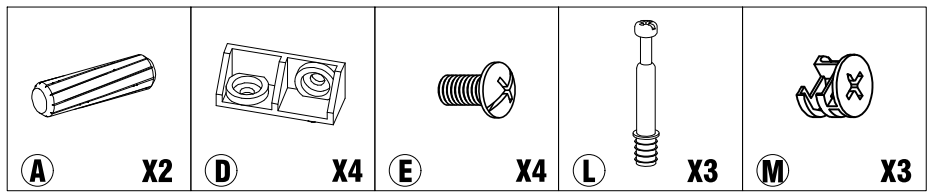
STEP 11



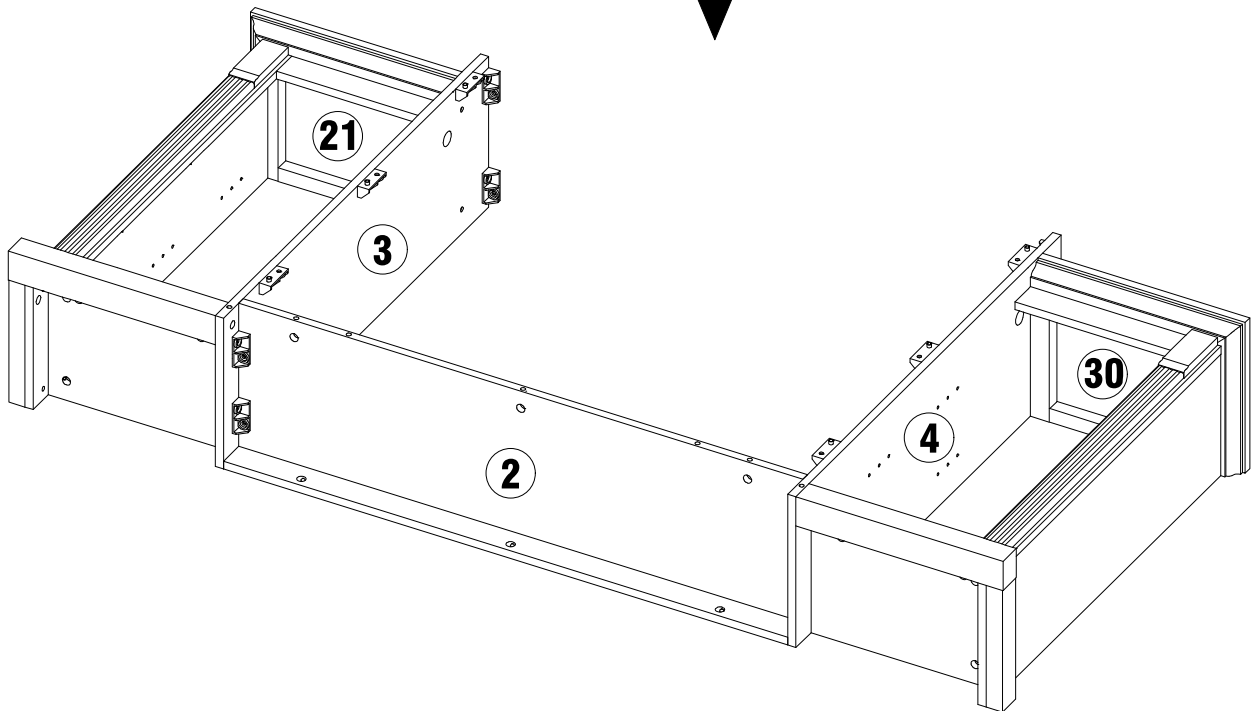
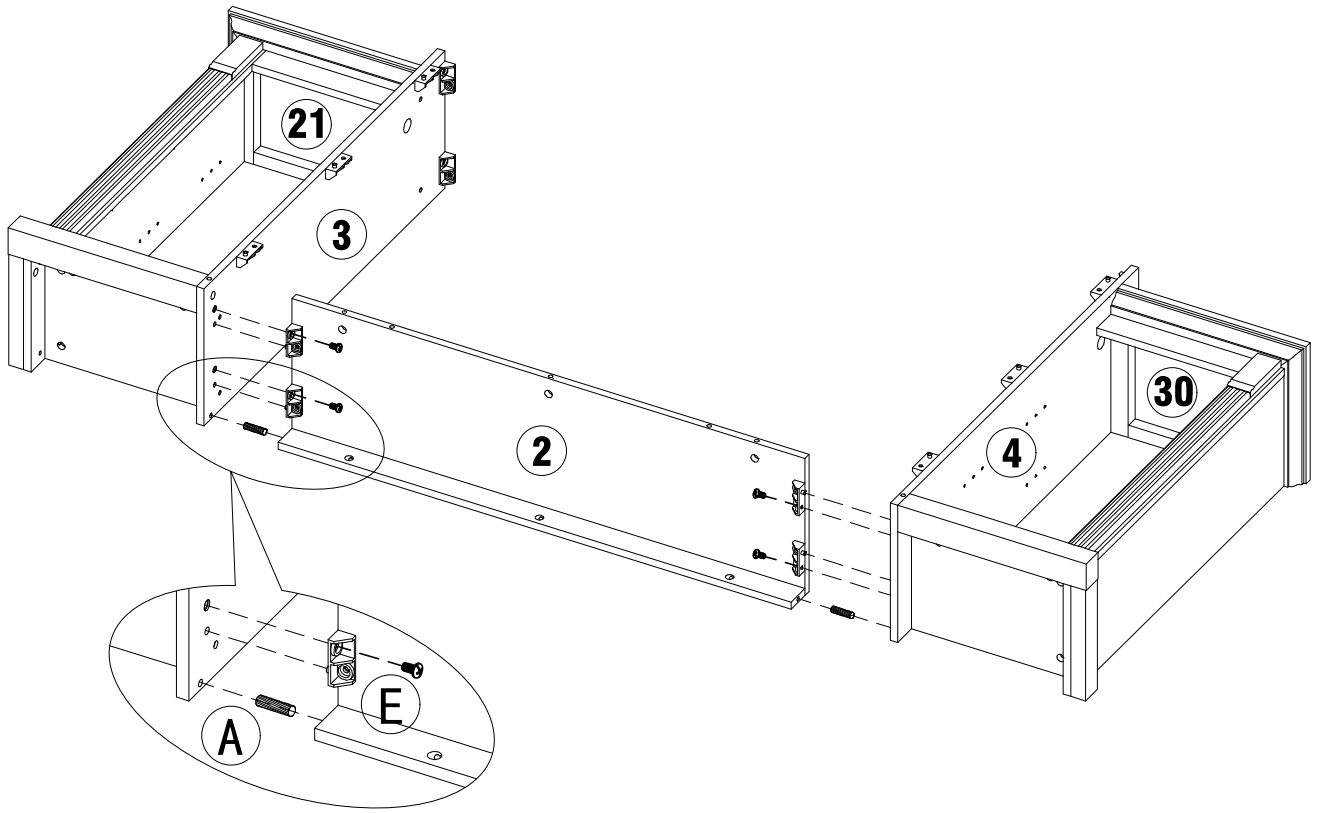
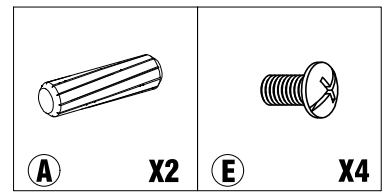
STEP 12



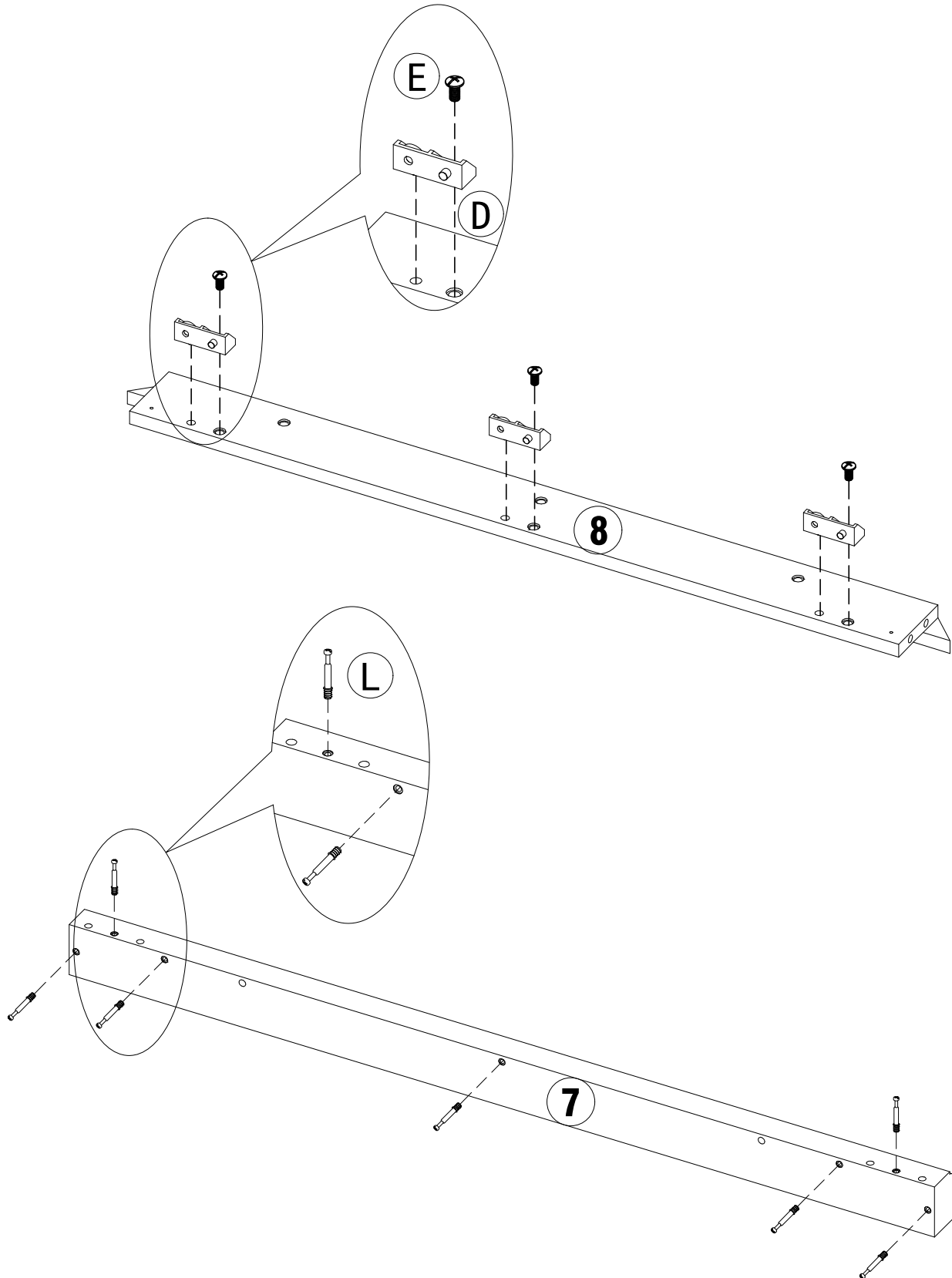
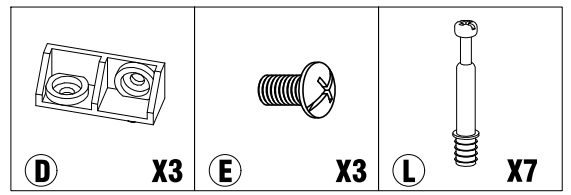
STEP 13



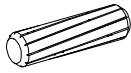


STEP 14

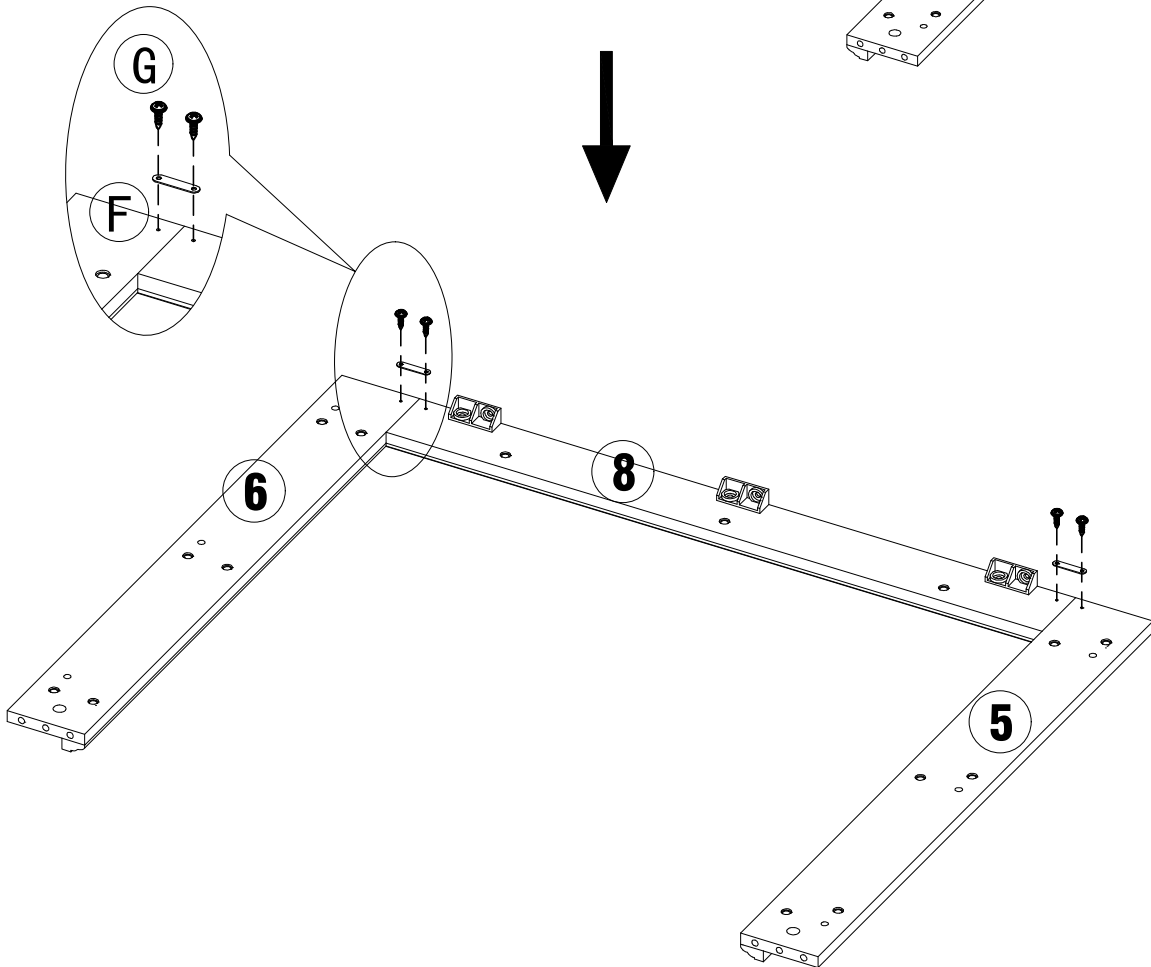
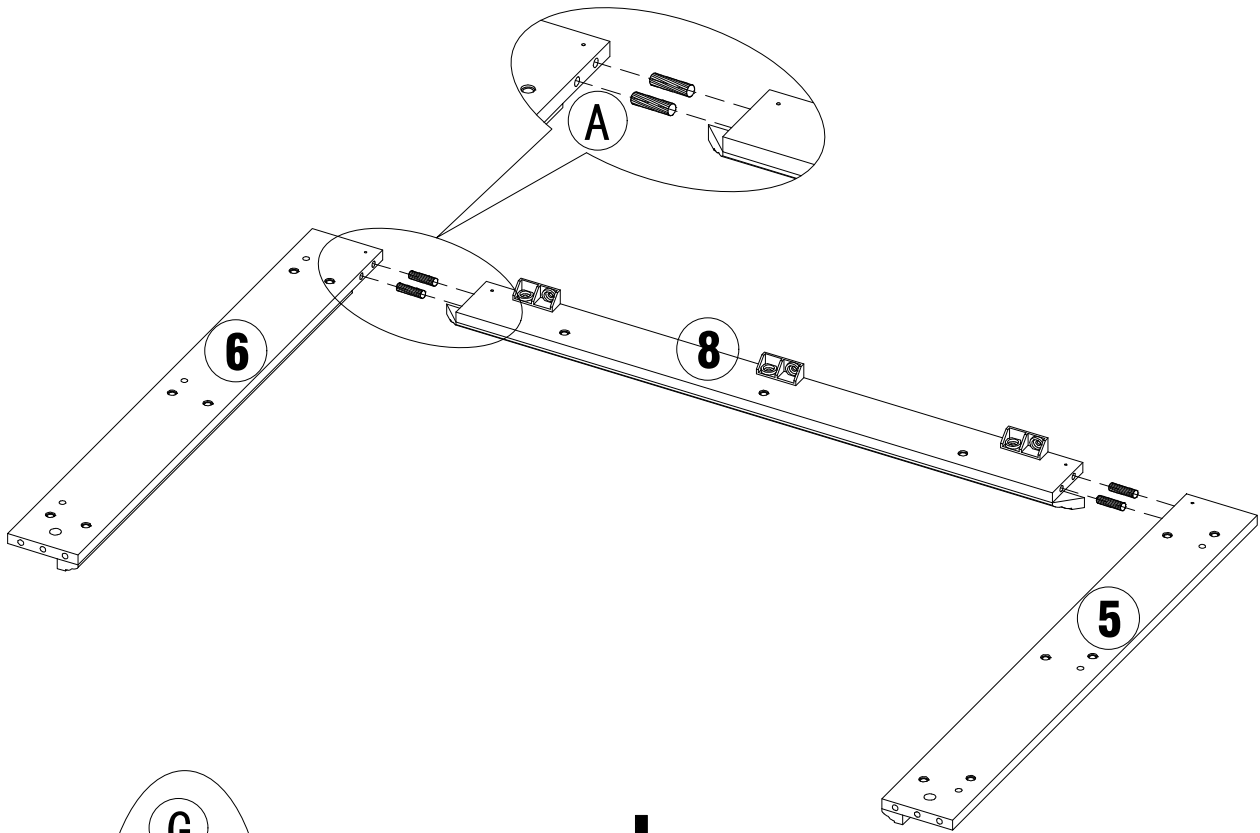


STEP 15

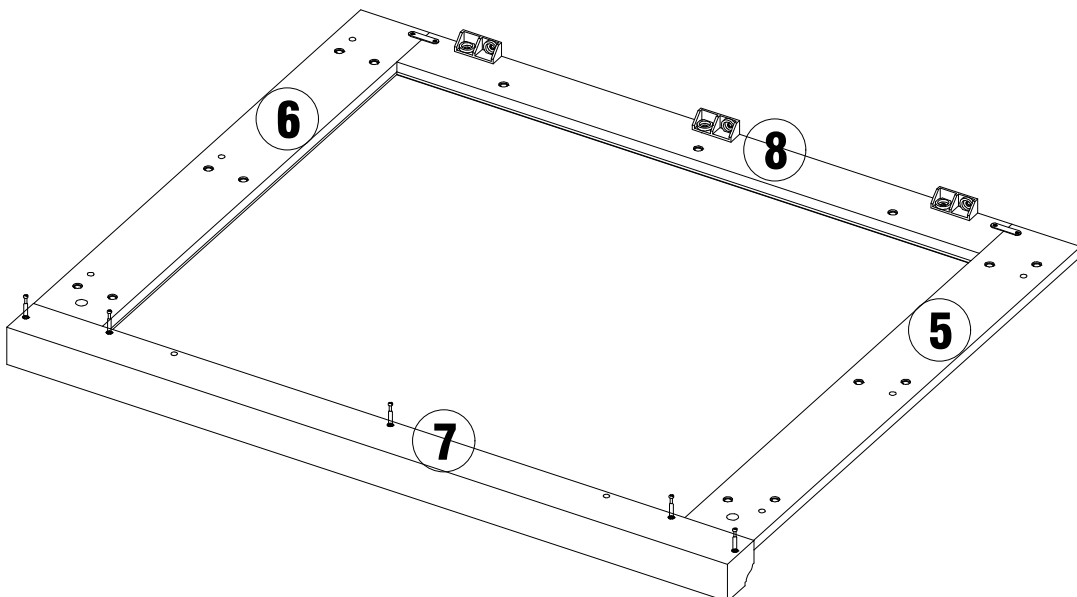
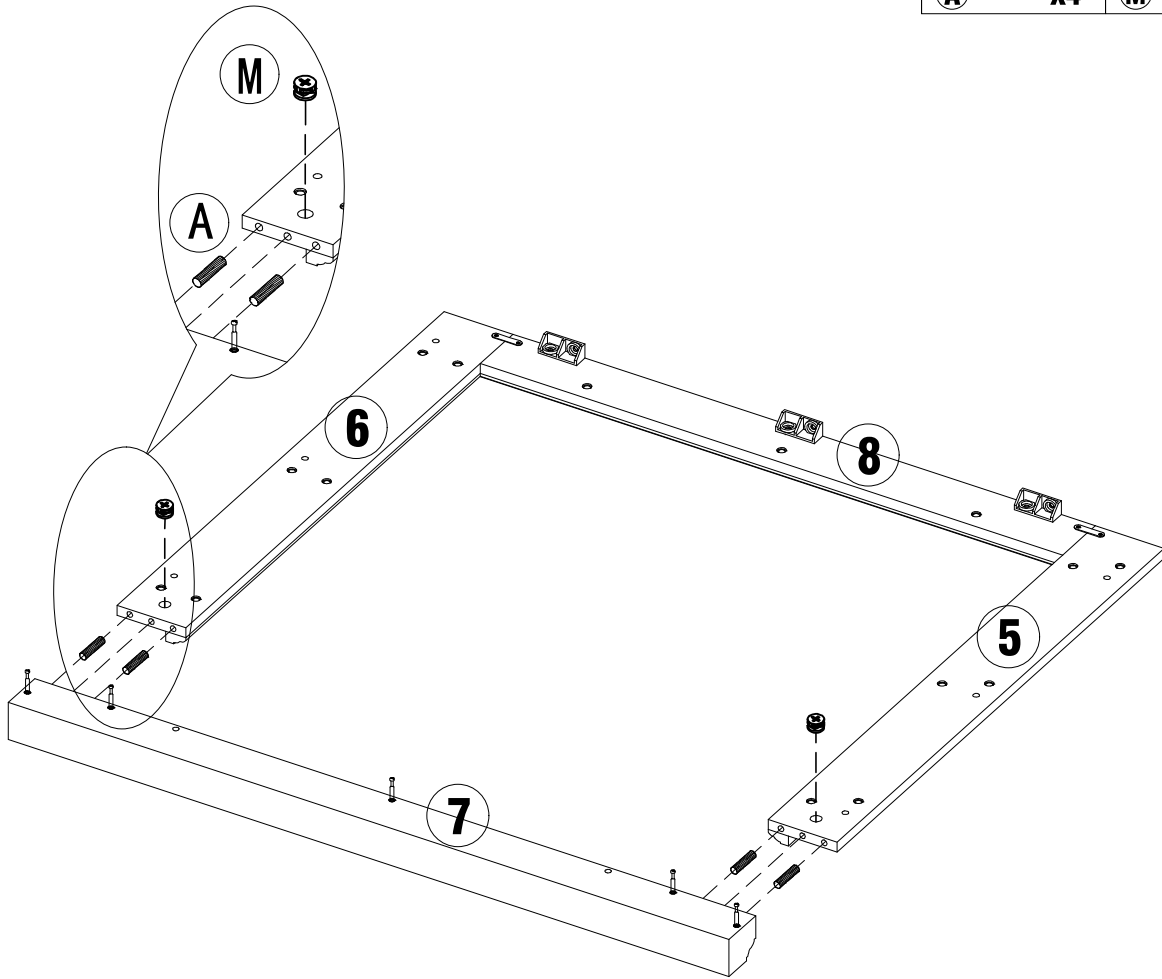
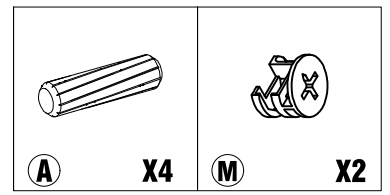


STEP 16

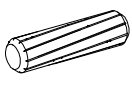

					
A	X4	F	X4	G	X2

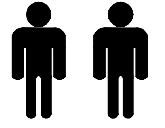


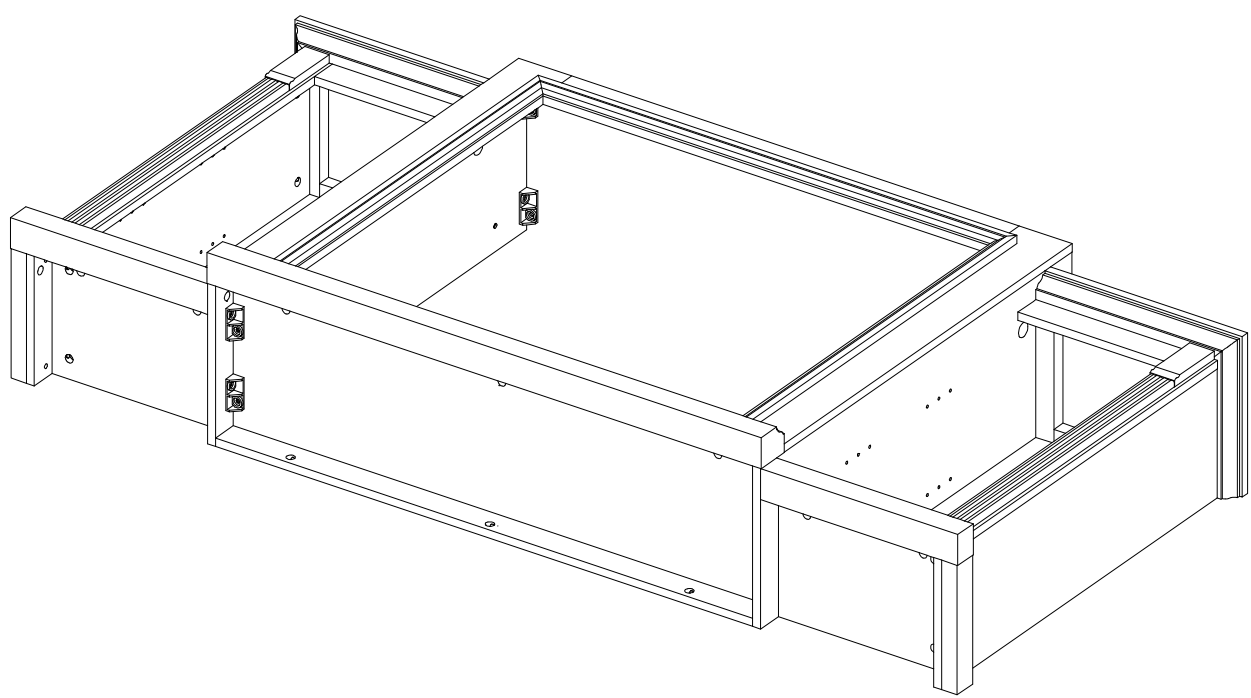
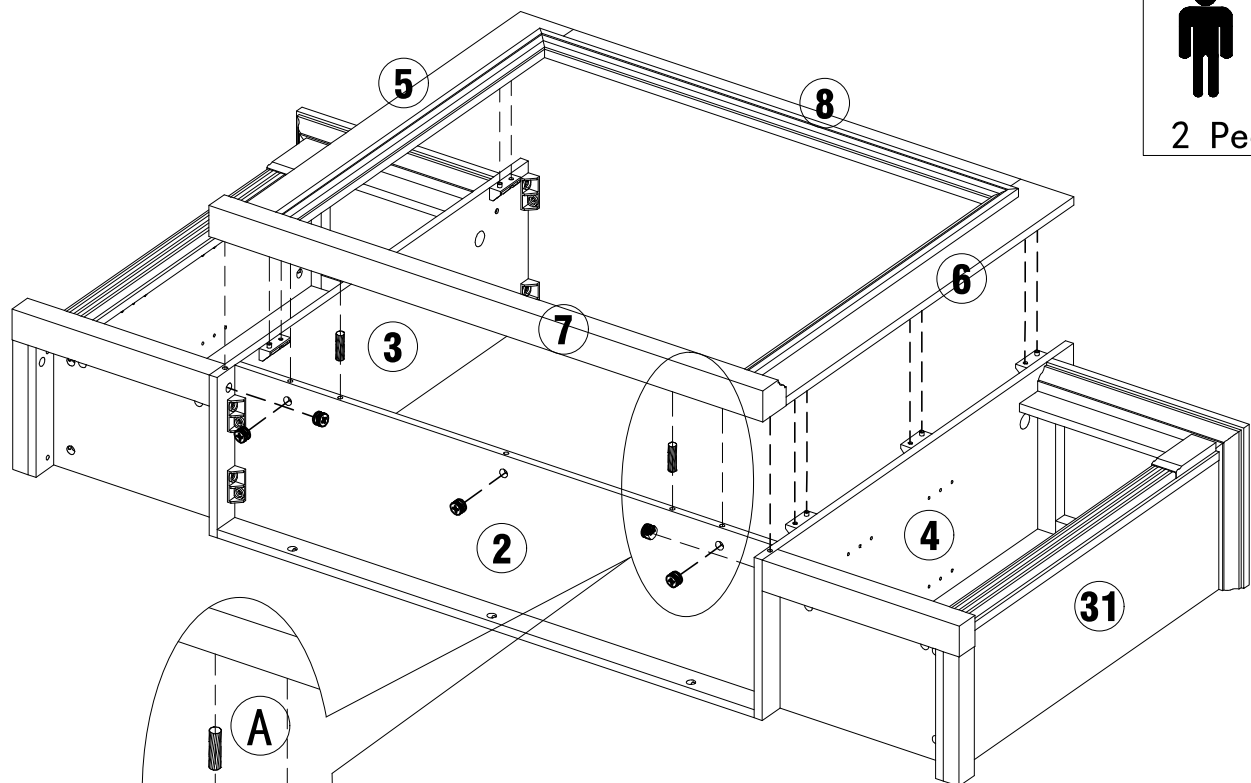
STEP 17



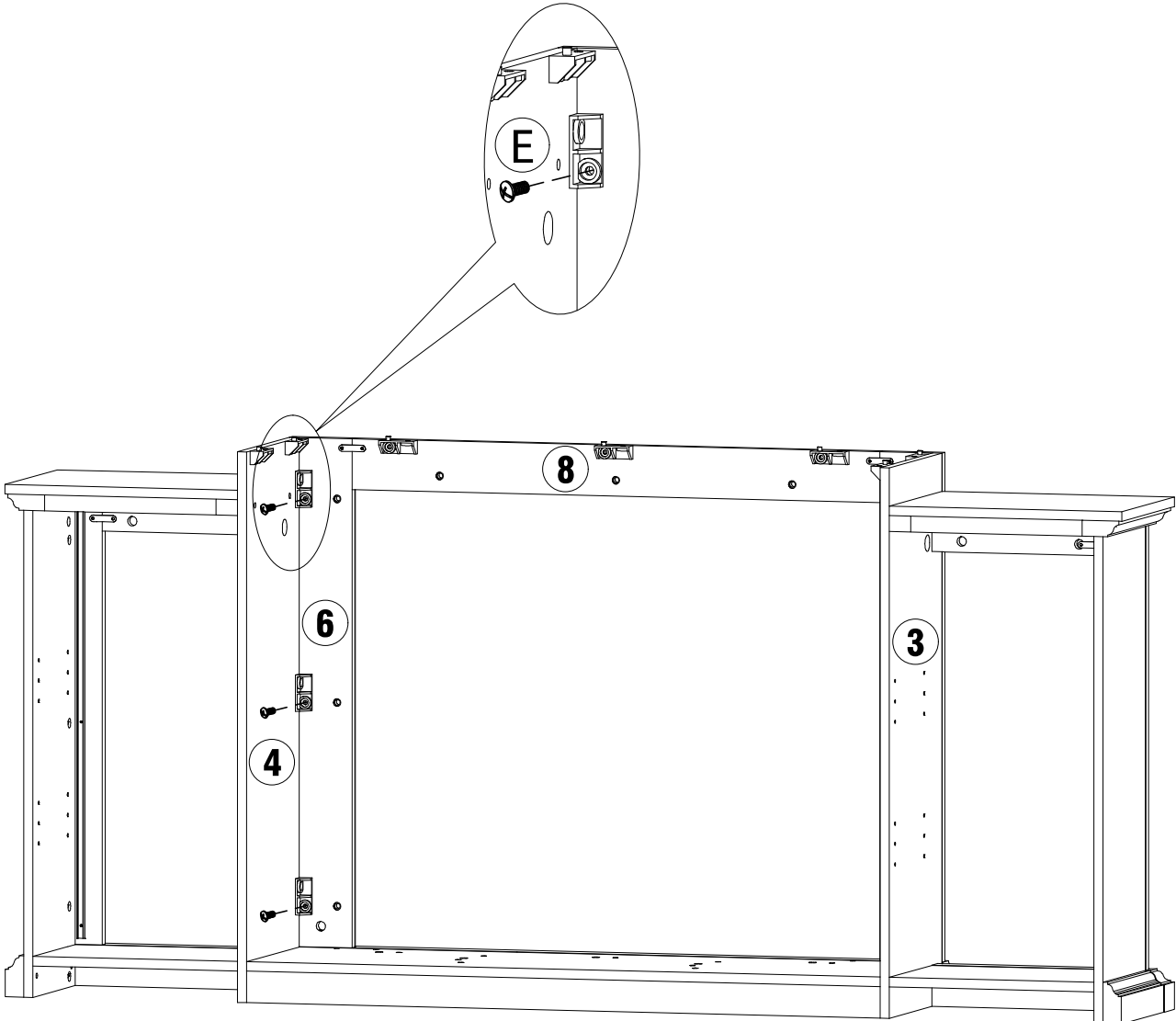
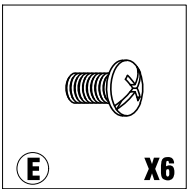
STEP 18

	
A	X2
	M
	X5

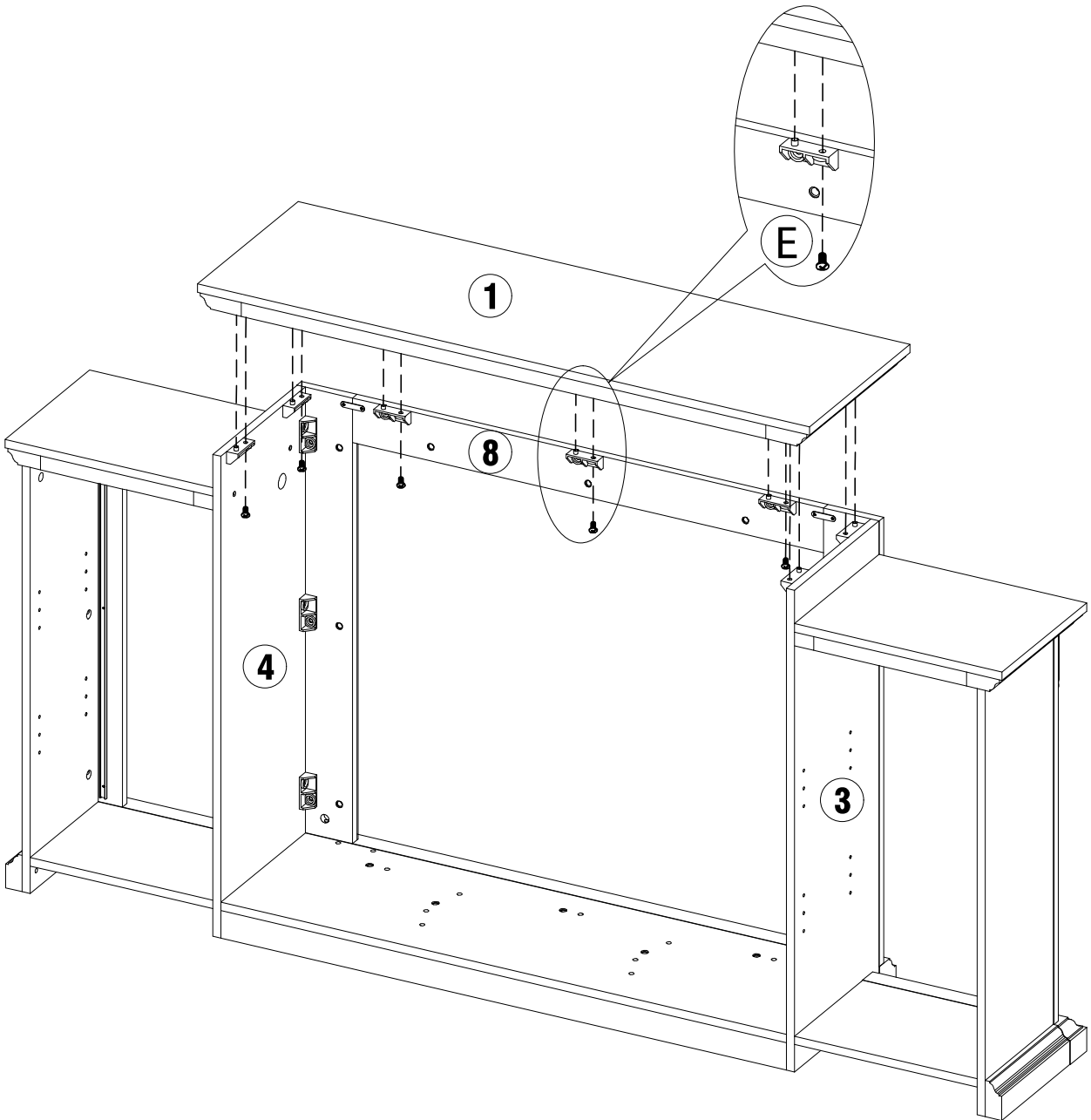
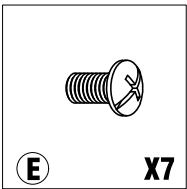

2 People



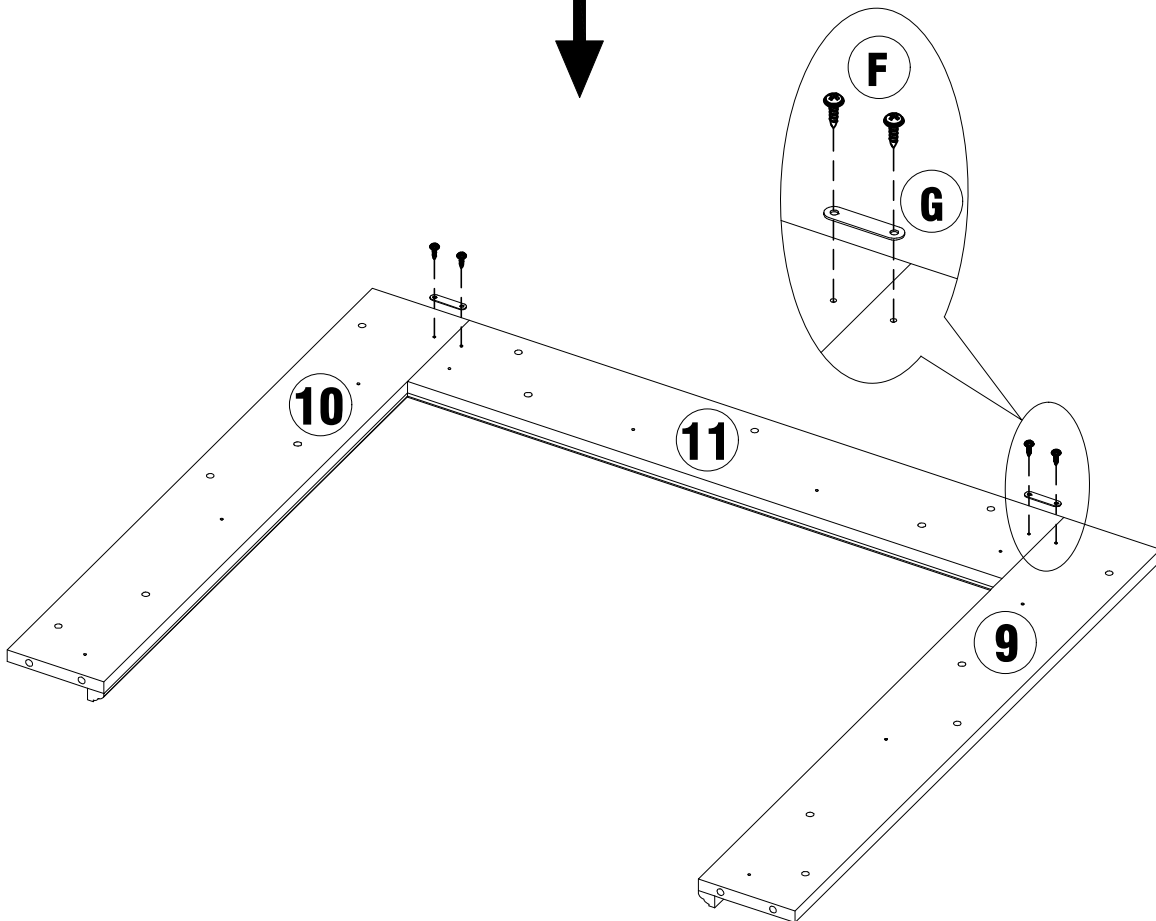
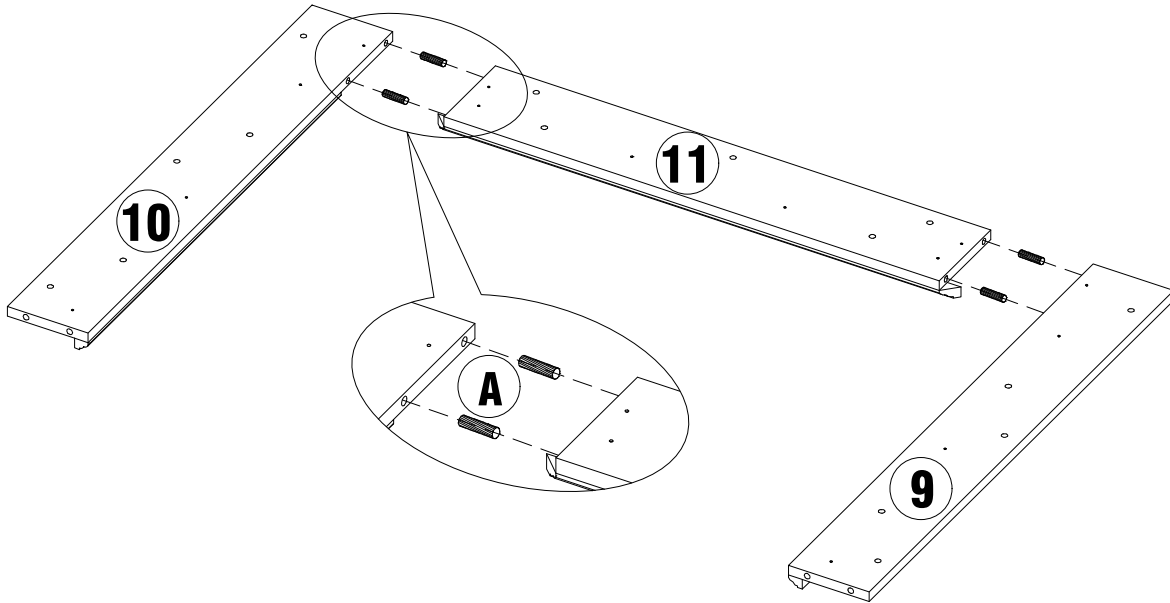
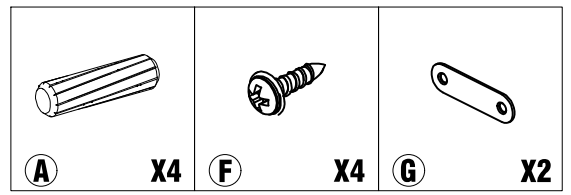
STEP 19



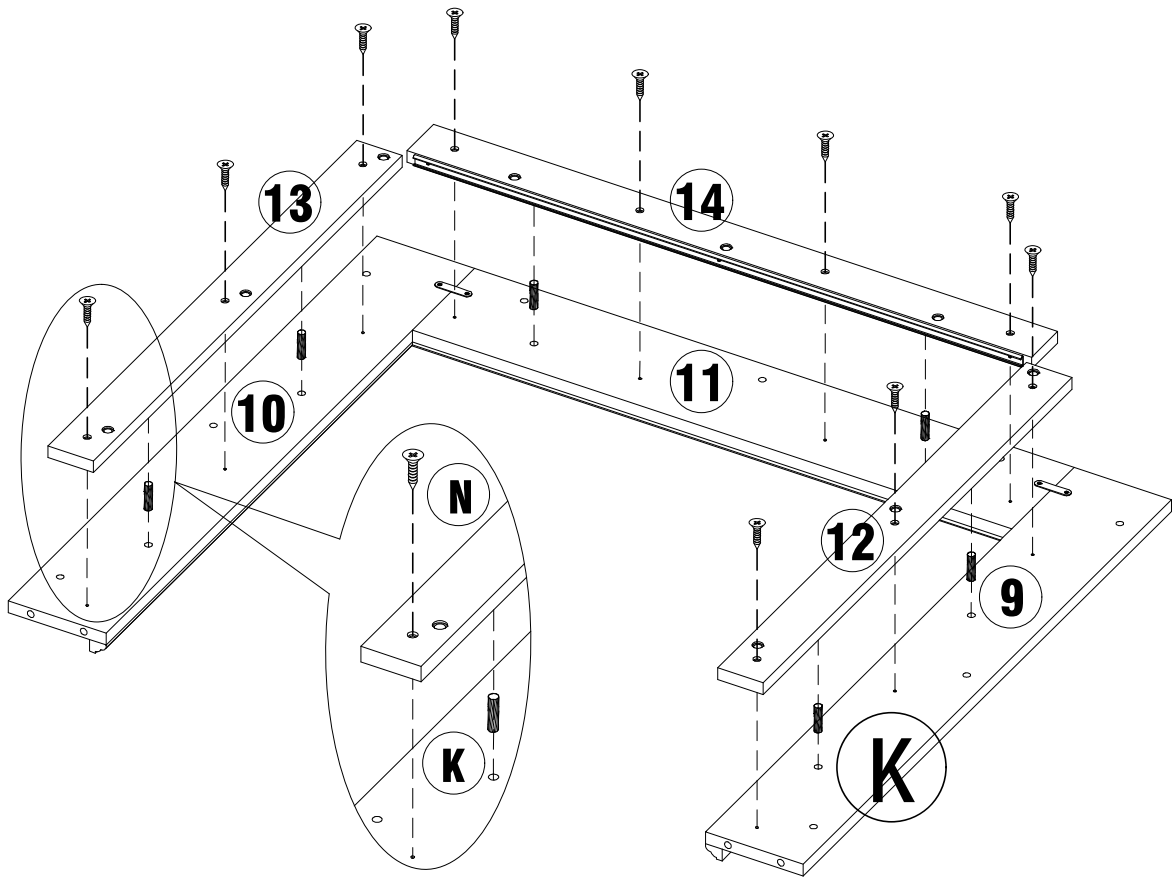
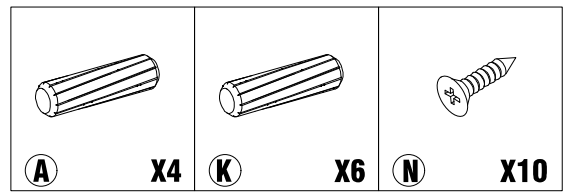
STEP 20



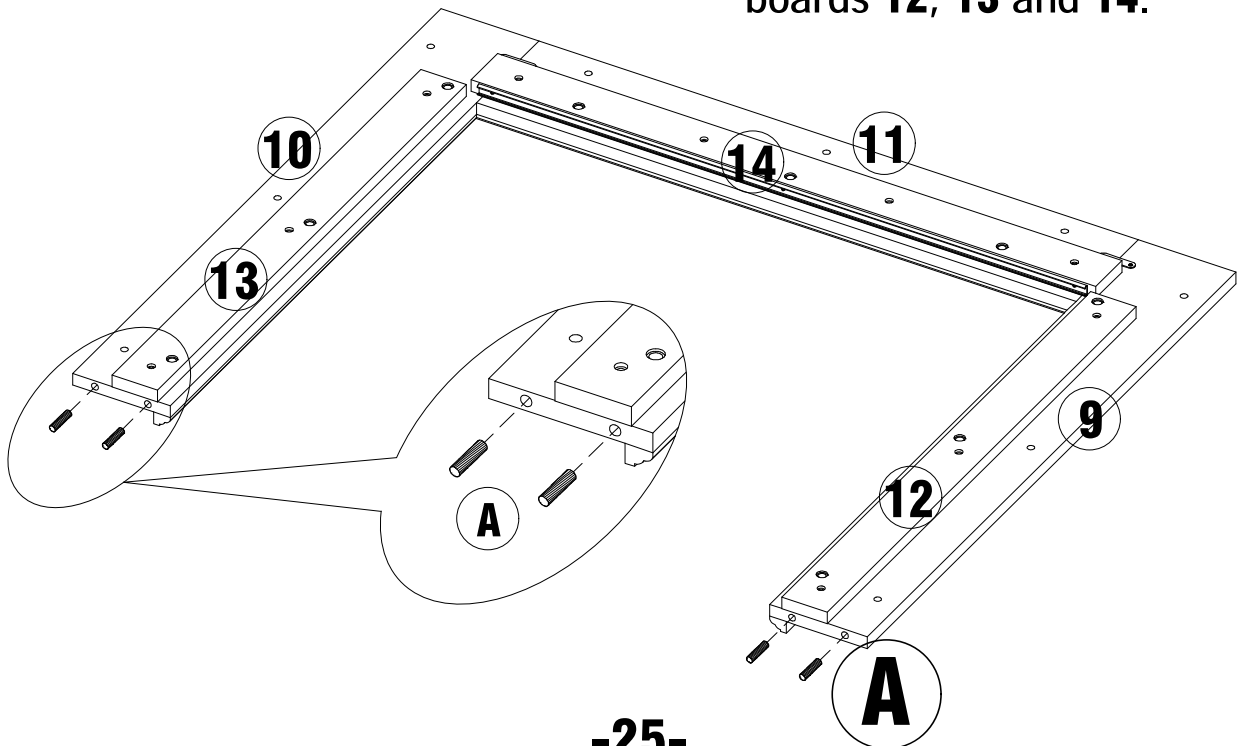
STEP 21



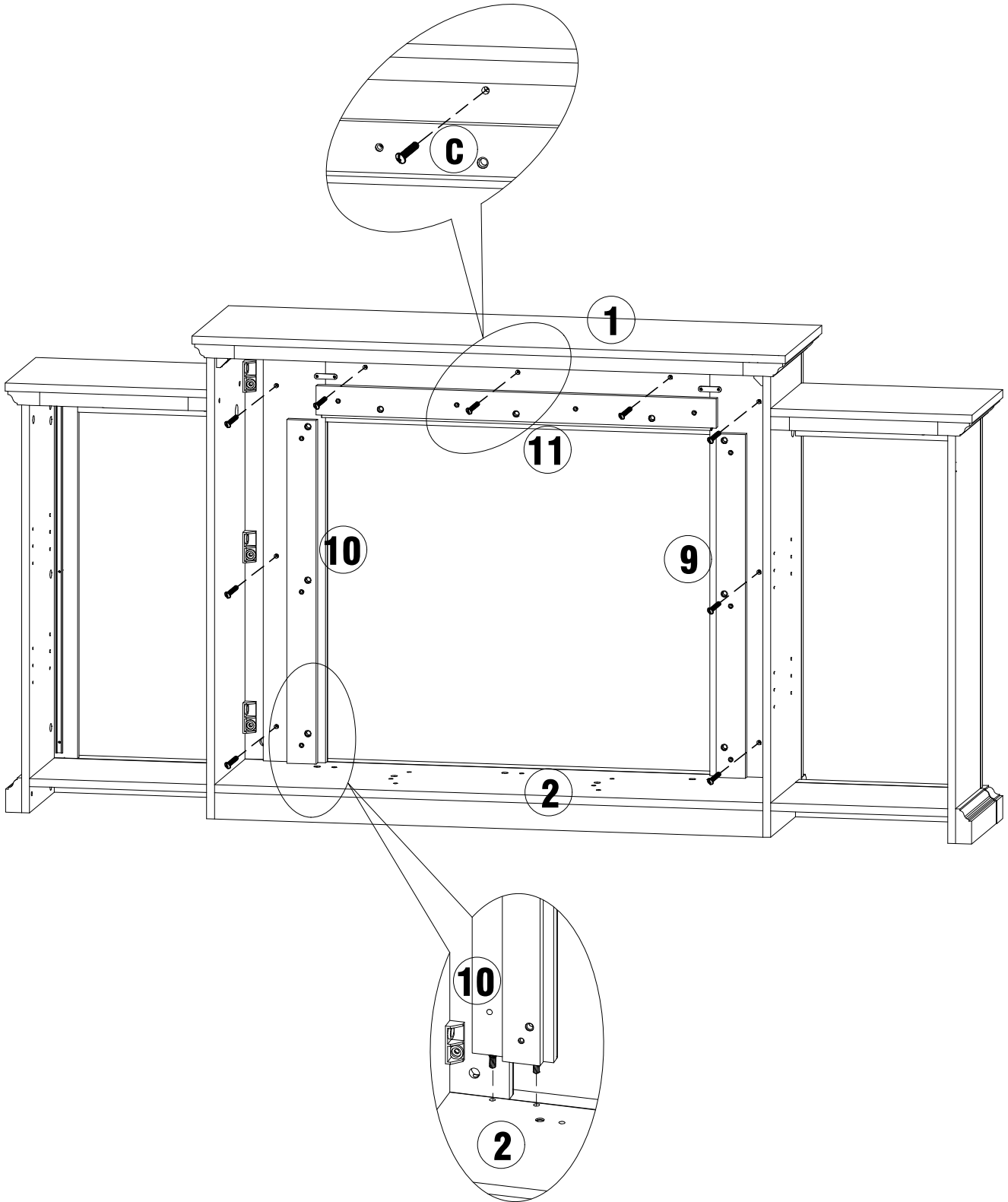
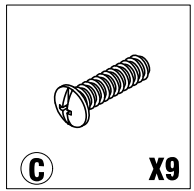
STEP 22



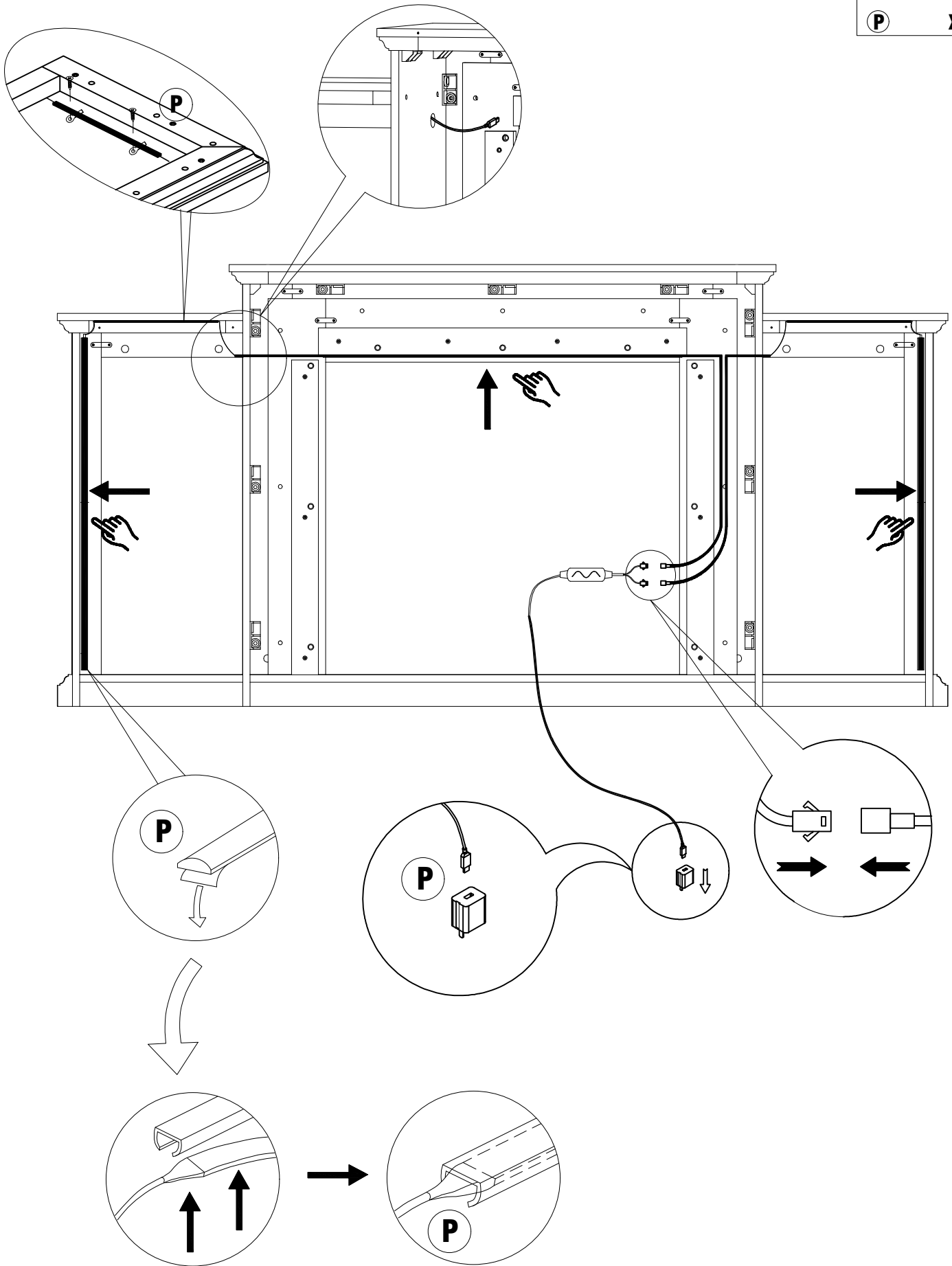
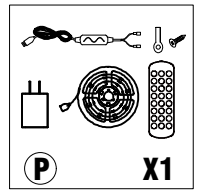
Note: Please use 6 wooden dowel pins (K) when assembling the steps for boards 12, 13 and 14.



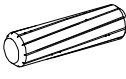
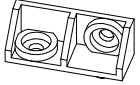



STEP 23

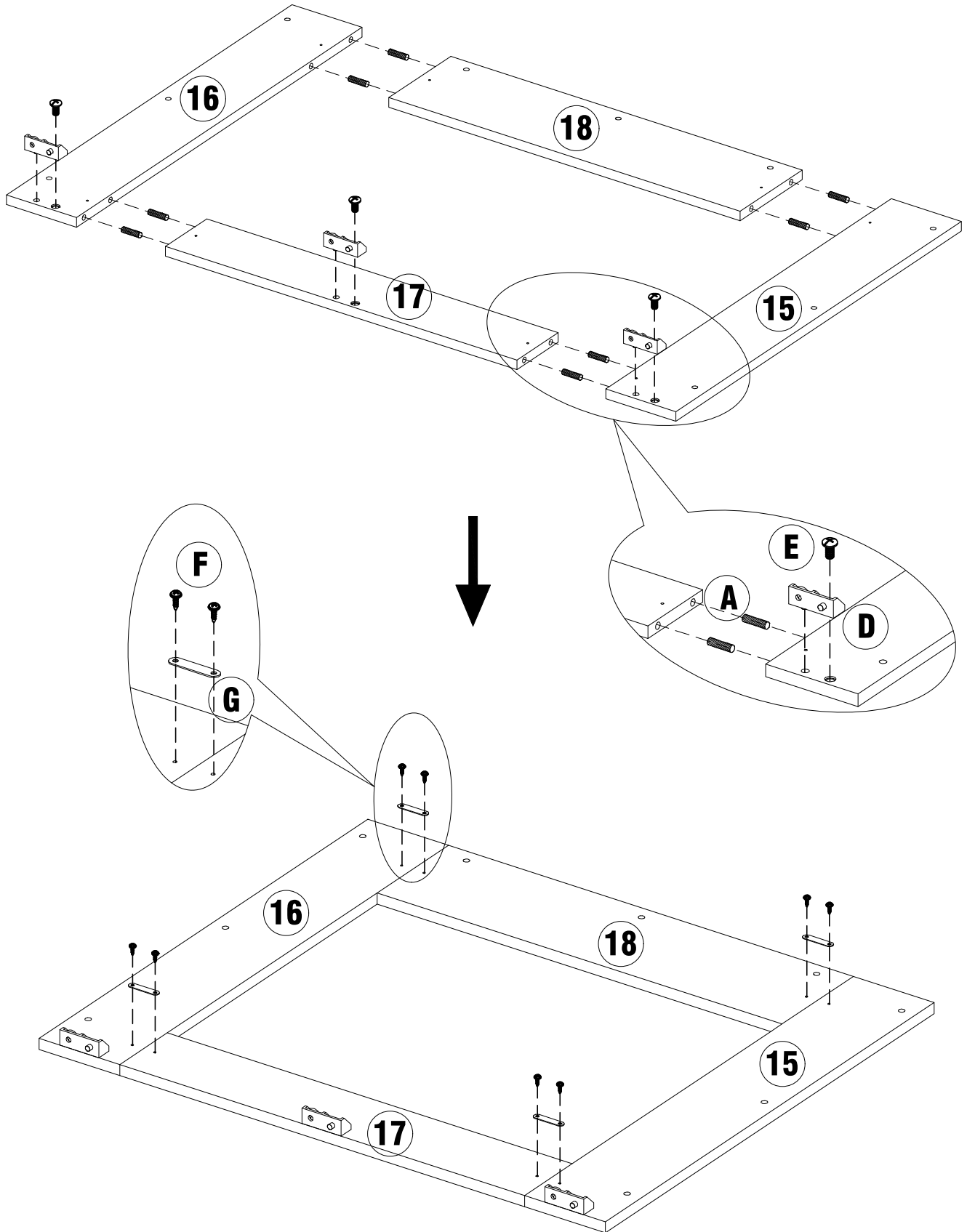


STEP 24

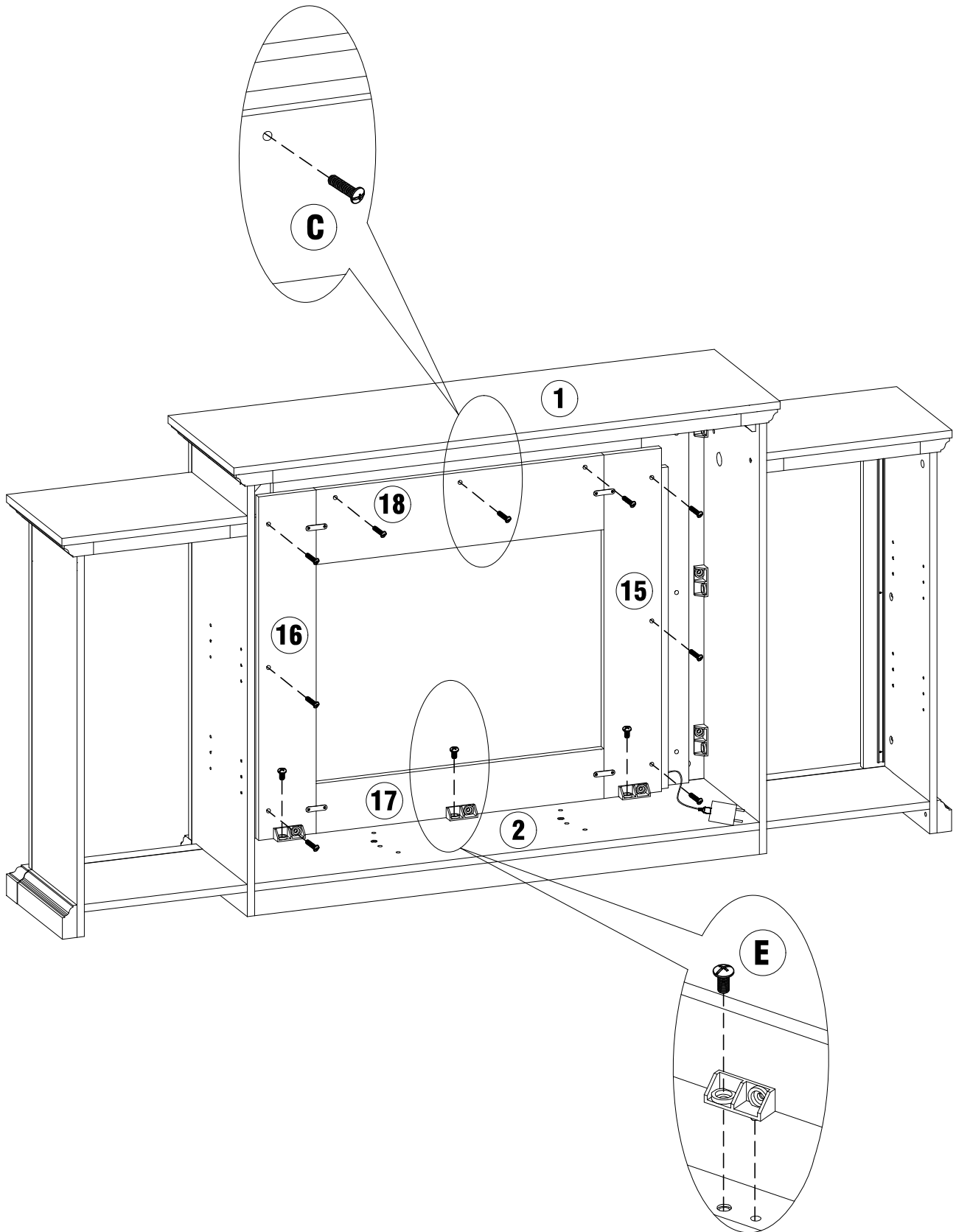
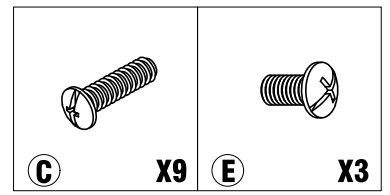


STEP 25

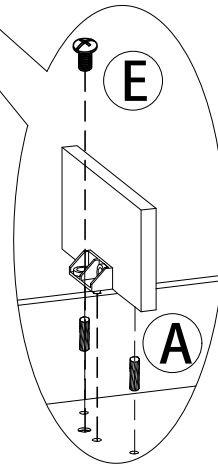
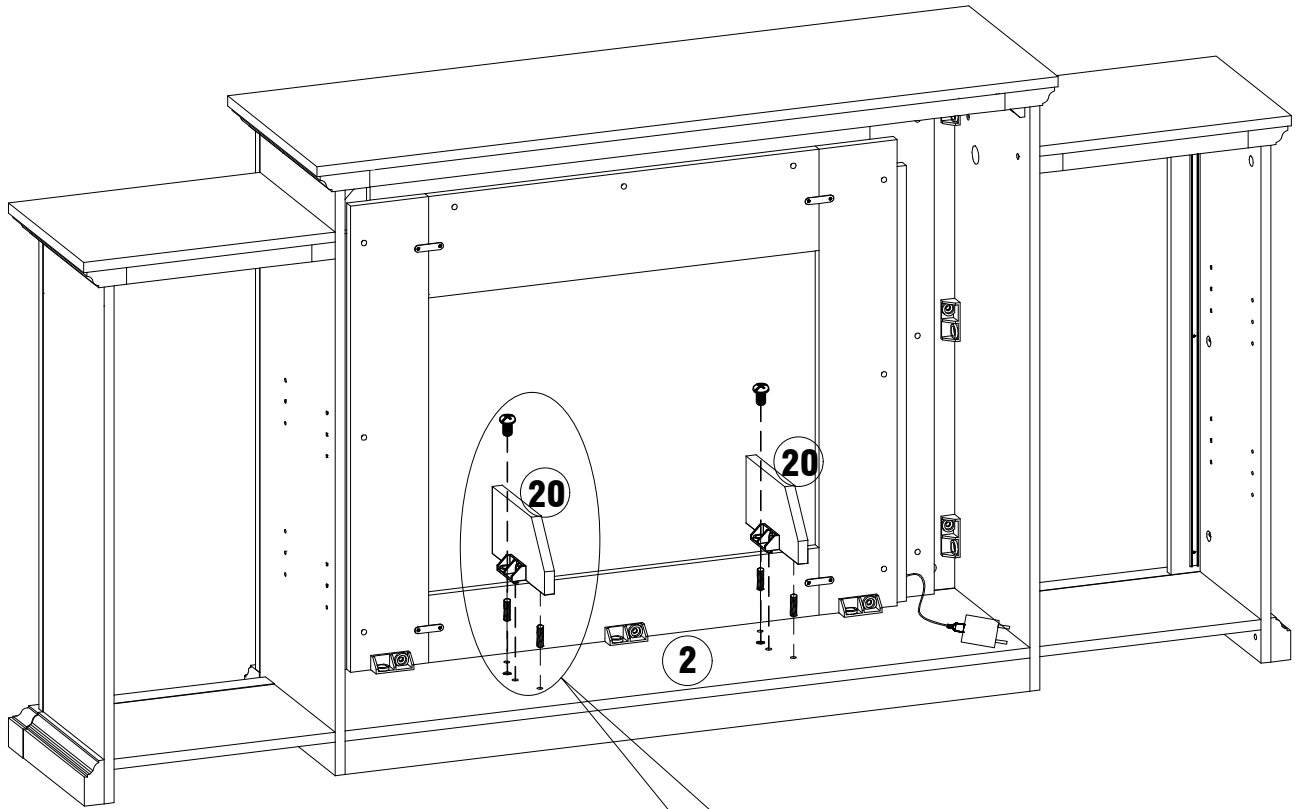
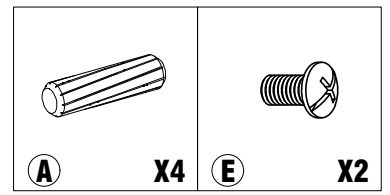
				
A X8	D X3	E X3	F X8	G X4



STEP 26



STEP 27

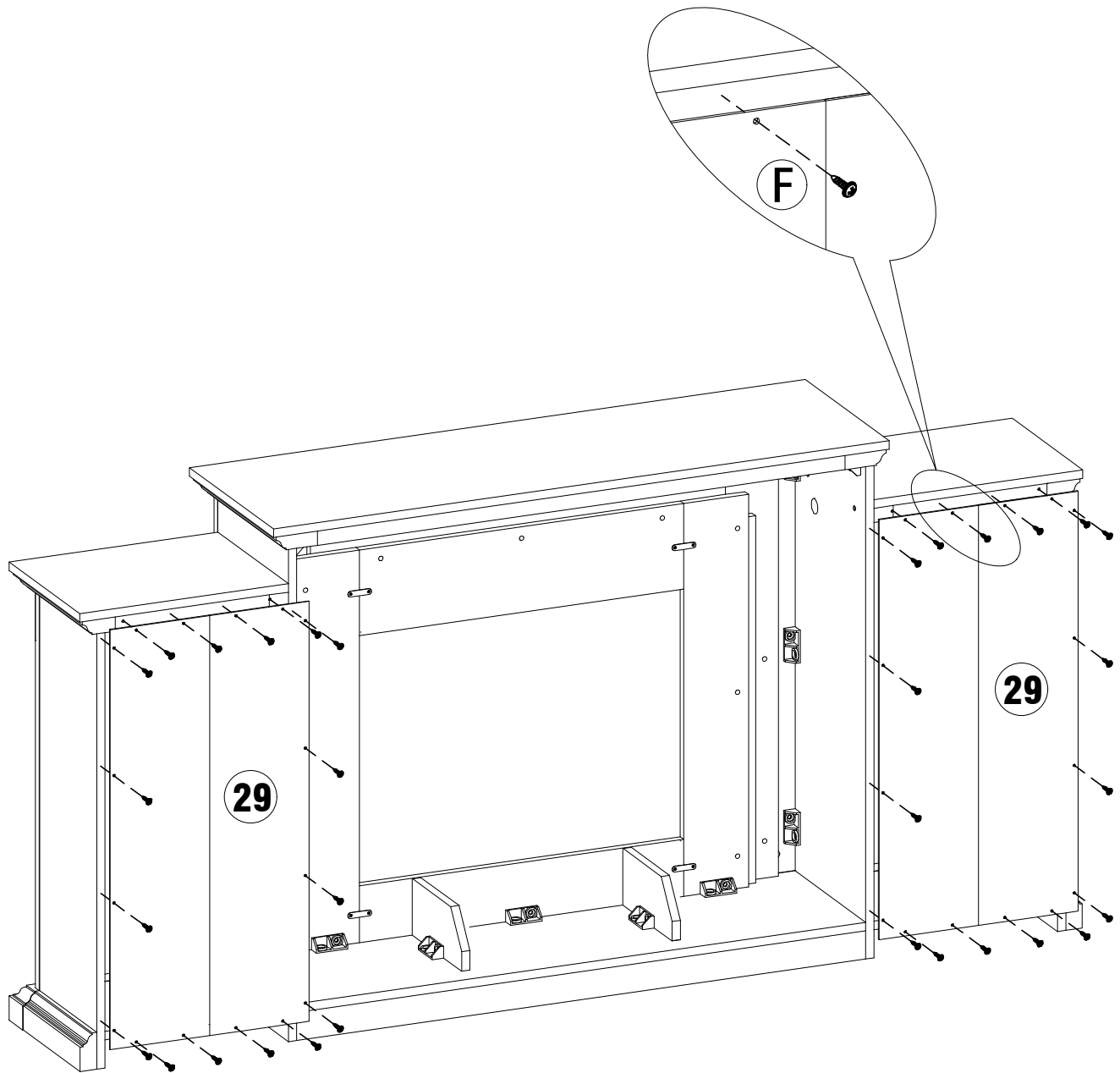


STEP 28

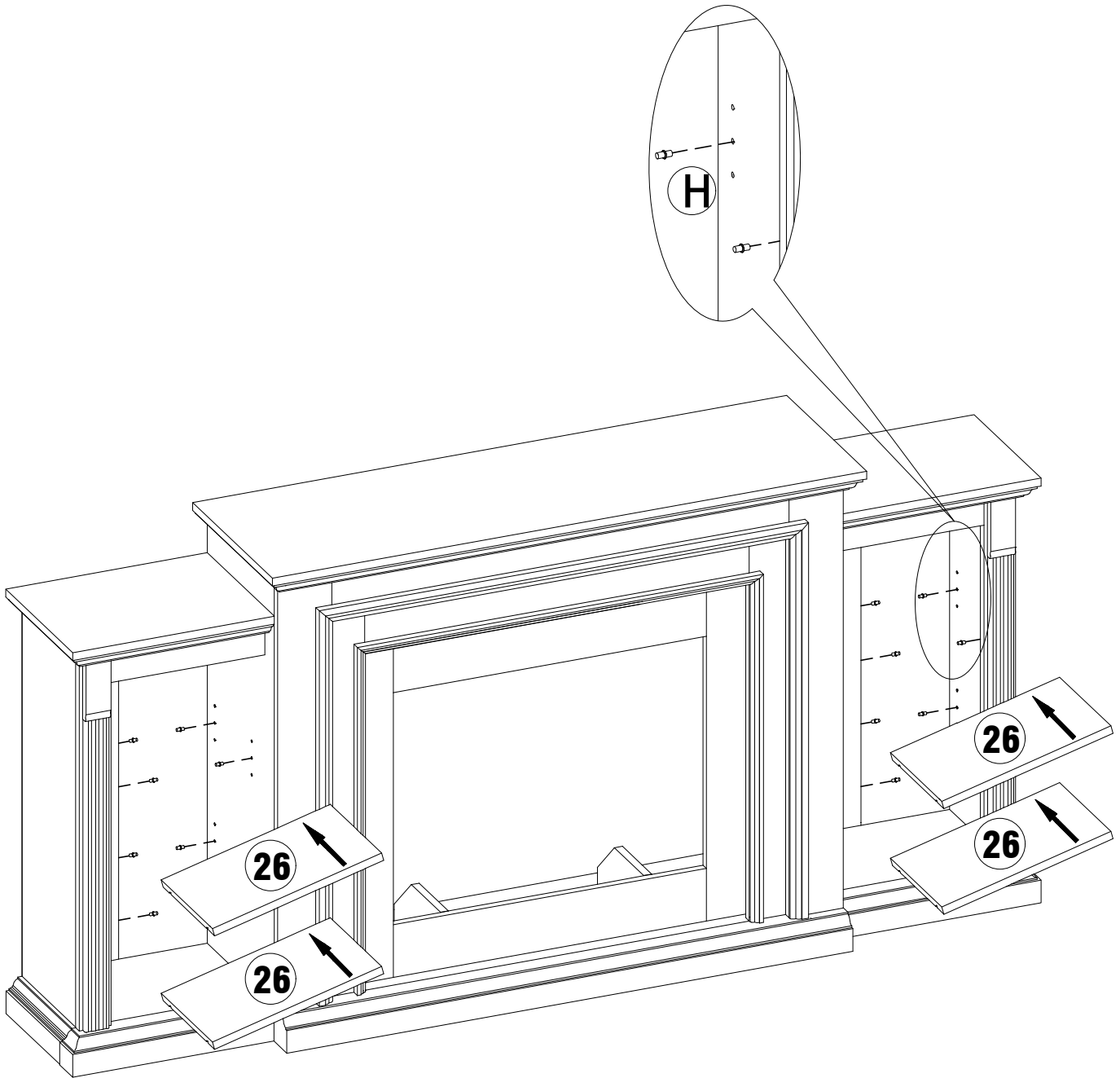
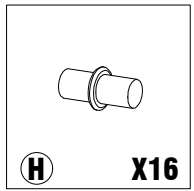


F

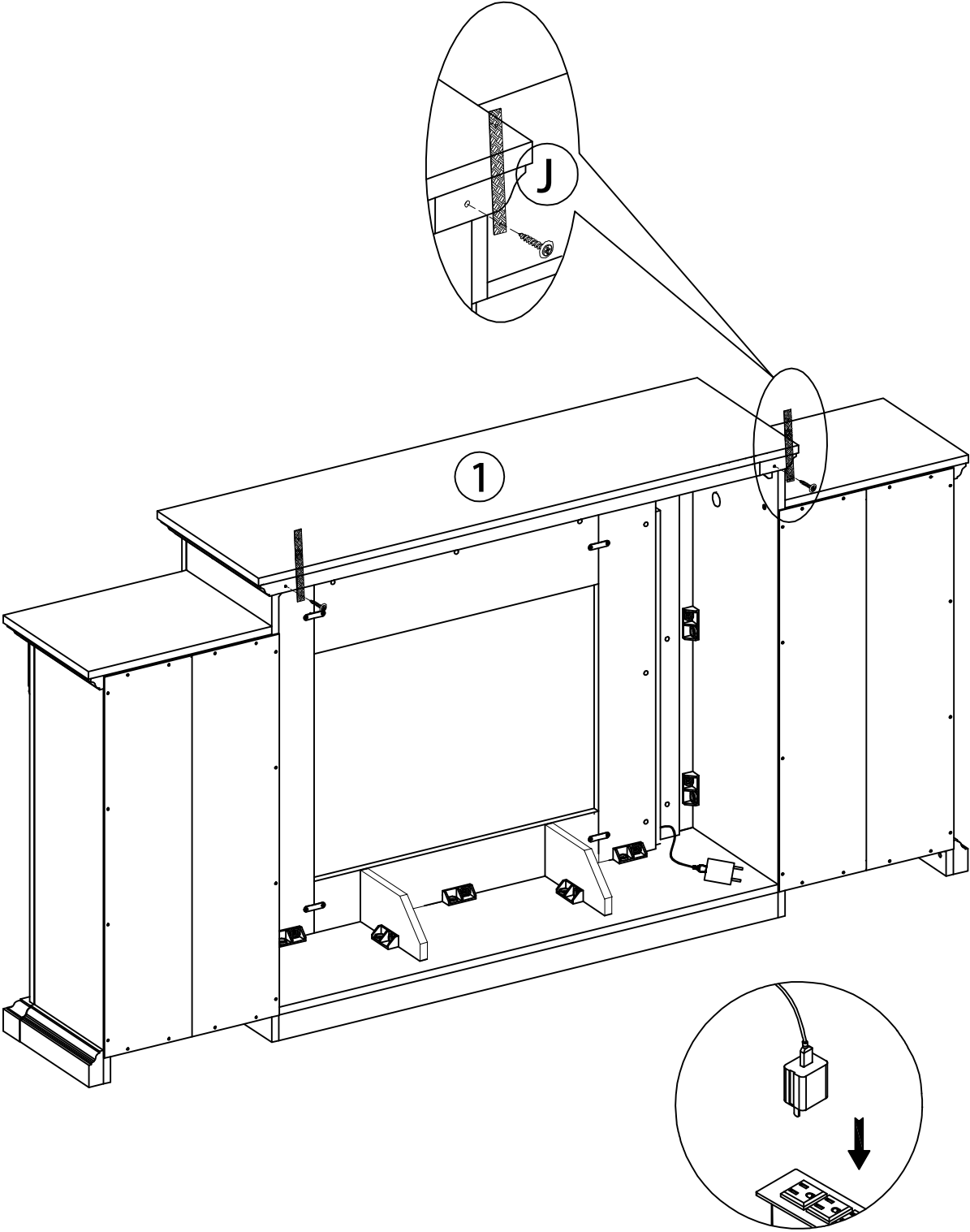
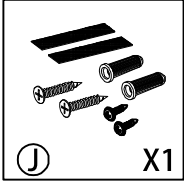
X32



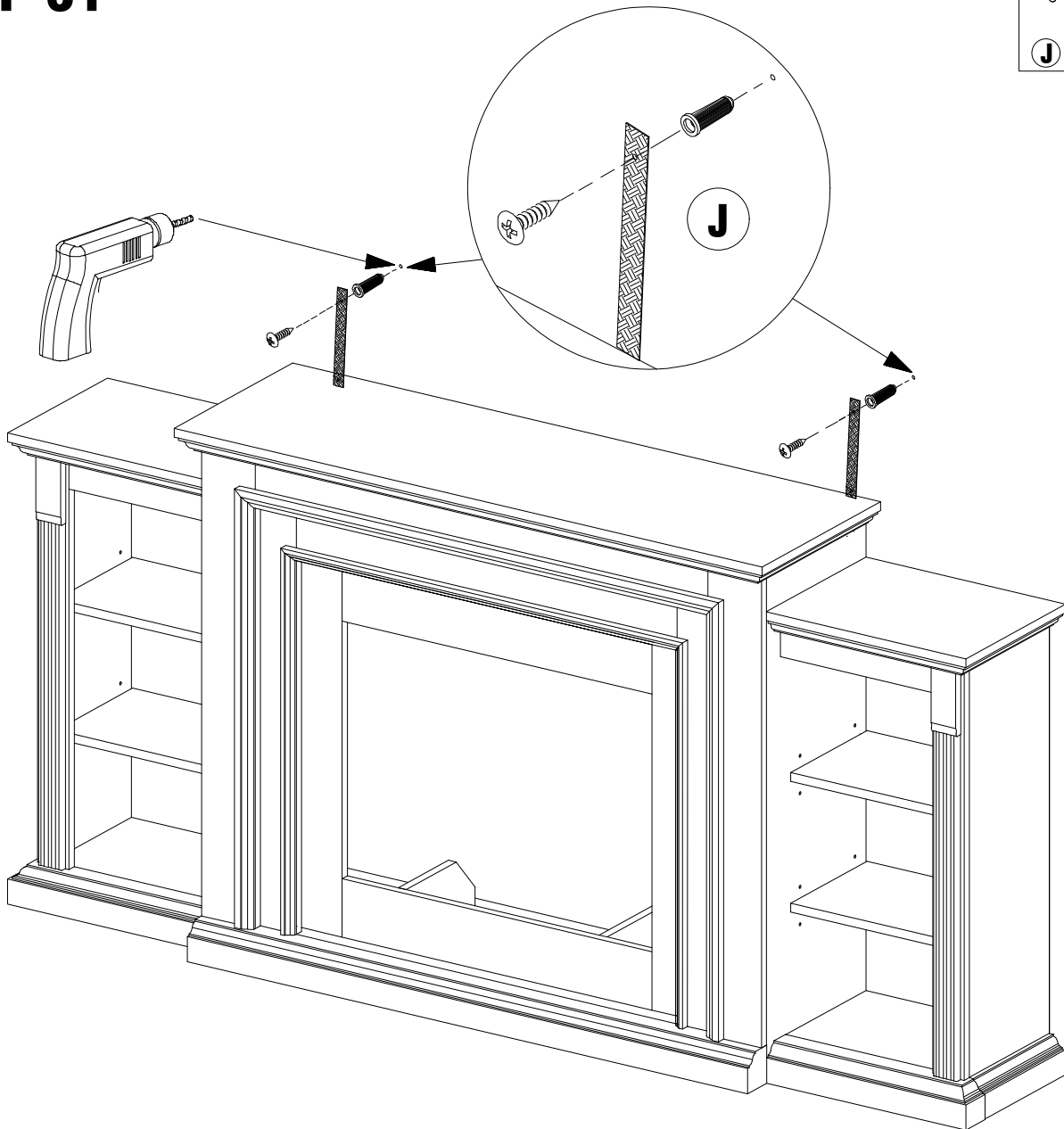
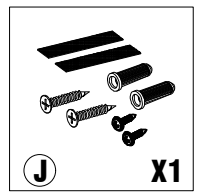
STEP 29



STEP 30



STEP 31



⚠ WARNING



Children have died from furniture tipover.

To reduce the risk of furniture tipover:

- ALWAYS install tipover restraint provided.
- NEVER put a TV on this product.
- NEVER allow children to stand, climb or hang on drawers, doors, or shelves.
- NEVER open more than one drawer at a time.
- Place heaviest items in the lowest drawers.

*This is a permanent label.
Do not remove!*

