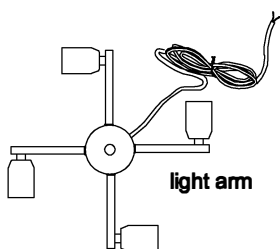
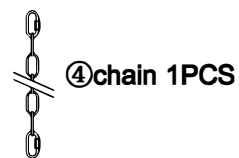
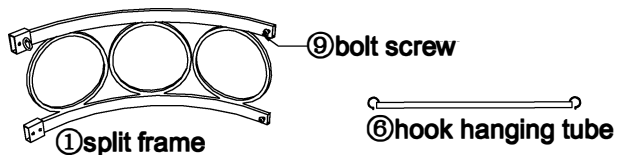






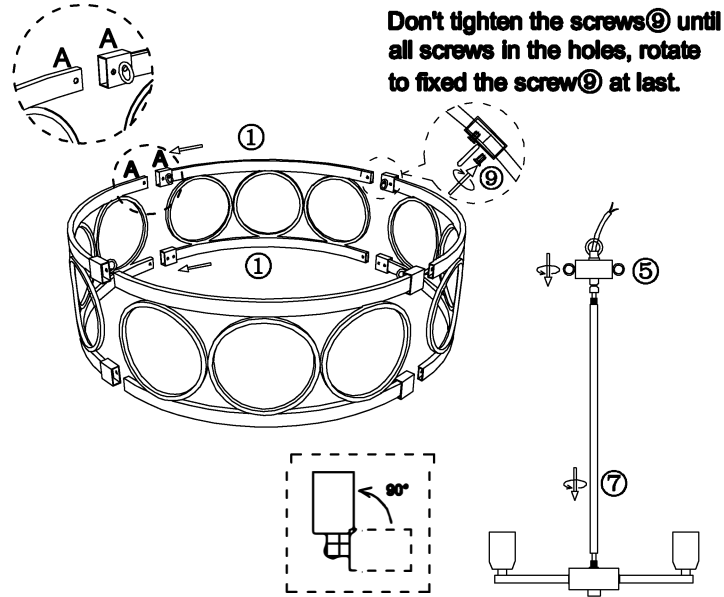


# Installation & Assembly

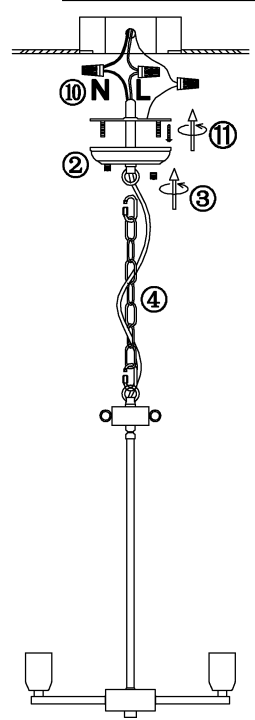


-  X1PCS
-  X3PCS
-  X3PCS
-  X3PCS
-  X3PCS
-  X2PCS

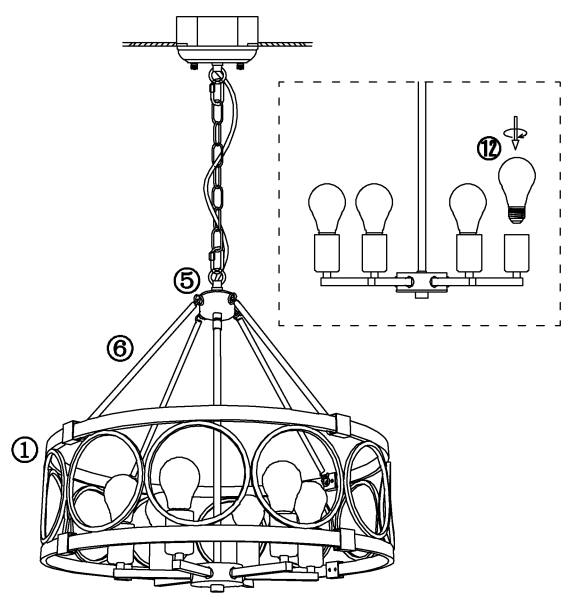
Note: male A should connect with femaleA, male B should connect with femaleB(C with C, D with D).



- 1.Assembled the split frame to be a complete framed with bolt screw 9.
- 2.Turn the lamp head 90-degrees to make it perpendicular to the lamp arm, let the wire of the light fixture8 go through the hanging tube7 and hanging part5, rotate to fix both parts to the light fixture.



- 3.Hang the fixture to the canopy2 with chain4, let the wire go through the chain4 and canopy2.
- 4.Install the bracket to the ceiling junction box with screw11.
- 5.Connect the wire to the house line with cap connector10.
- 6.Install the light fixture to the bracket with cap nut3.



- 7.Hang the metal frame to the part 5 with tube6.
- 8.Install the bulb12.

**Please read carefully before installation!!!**  
**Note : Please make sure that the electricity is powered off during installation !**  
**Only a professional electrician should install this kind of product !**