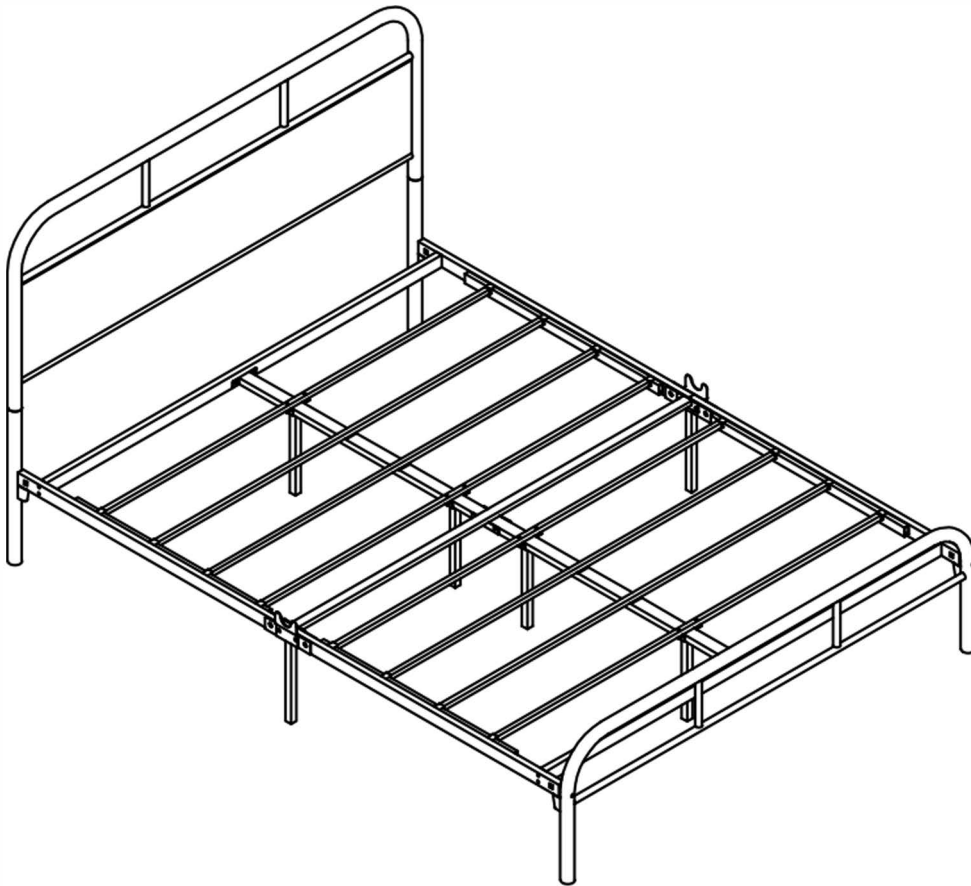


# ASSEMBLY INSTRUCTION

## WARRANTY:

We warranty this product to be free from defects in materials. This warranty covers one year from the date of original purchase.



## NOTES:


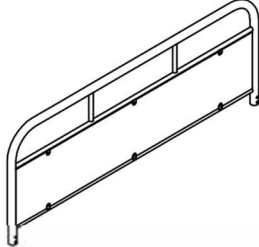
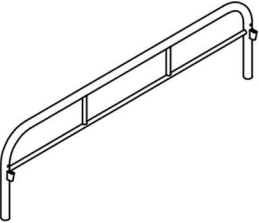




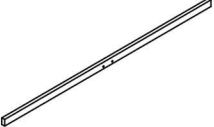


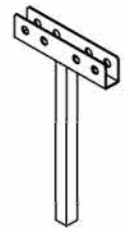
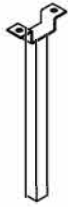
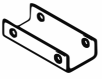







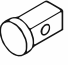
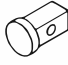




- The item is only intended to be used indoors. The product must be assembled and used in accordance with the provisions of the manual.
- It is recommended that assembly is undertaken by about 2 adults. Please read assembly instructions before assembly and strictly adhere to each step outlined. Estimated assembly time is 30 minutes.

## WARNING:

- **WARNING FOR YOUNG CHILDREN** - This product contains small components, please ensure that they are kept away from small children while assembling.

# 1

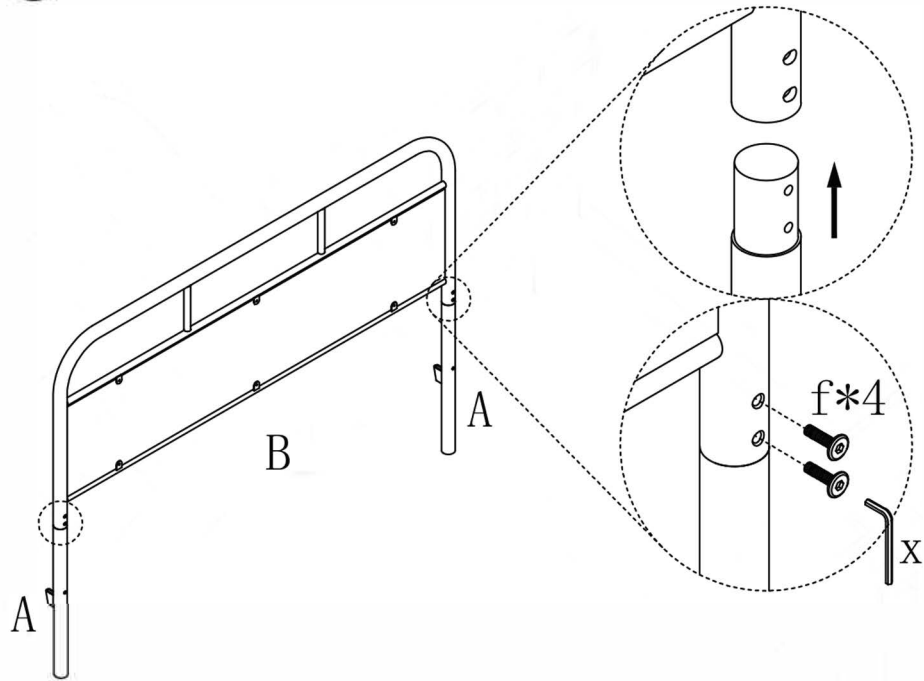
# PARTS LIST

A	B	C	O	P	Q	R	S				
											
2PCS	1PCS	1PCS	1PCS	4PCS	4PCS	2PCS	2PCS				
T	U	V	W	X	Z	a	b	d	e	f	k
											
2PCS	2PCS	2PCS	4PCS	1PCS	2PCS	1/4*85 4PCS	1/4*55 2PCS	1/4*40 16PCS	1/4*28 8PCS	1/4*19 8PCS	4PCS
u	u	v	w	x	y						
											
1/4 4PCS	1/4 4PCS	4PCS	1/4 18PCS	1/4 2PCS	2PCS						

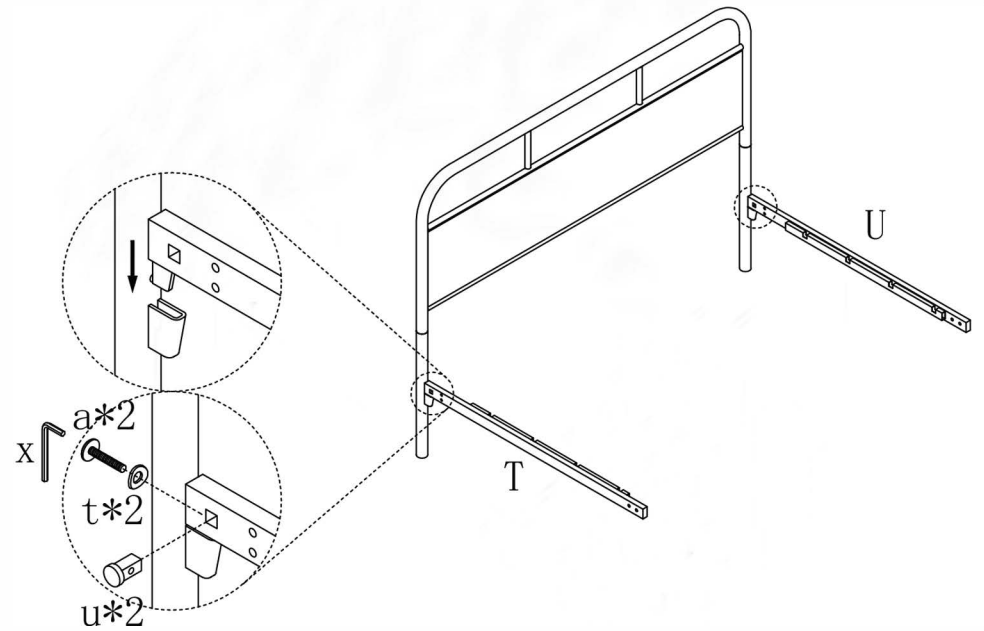
# 2

NOTE: PLEASE DO NOT TIGHTEN THE BOLTS UNTIL ALL FIXED

1



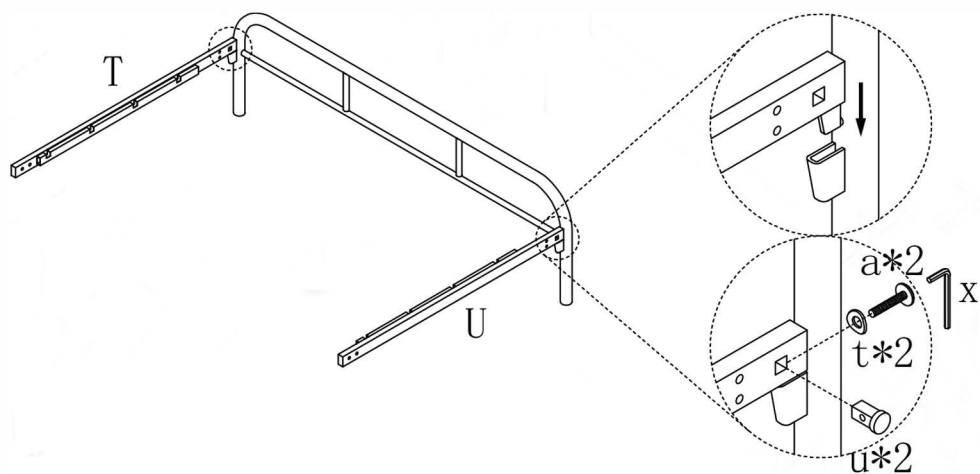
2



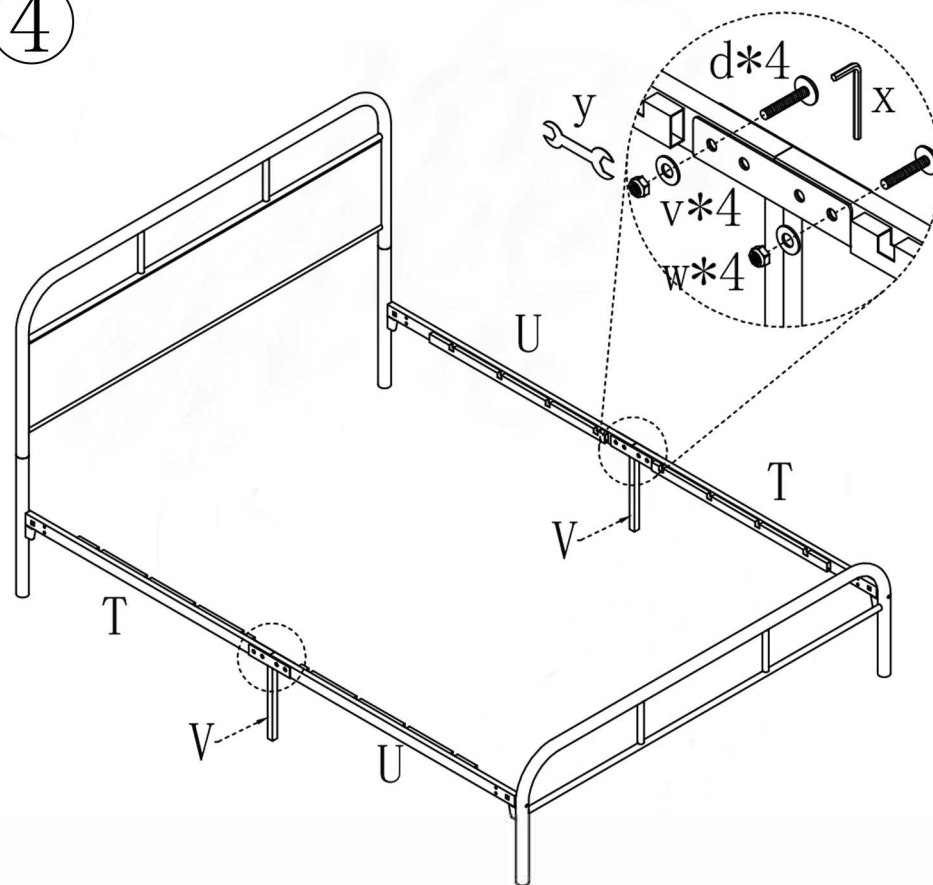
3

NOTE: PLEASE DO NOT TIGHTEN THE BOLTS UNTIL ALL FIXED

3



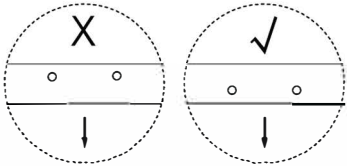
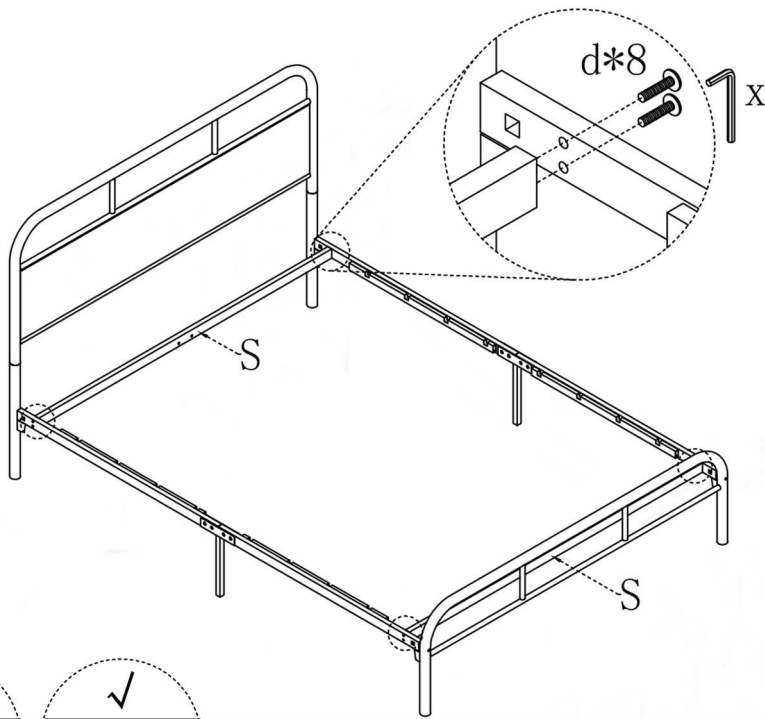
4



# 4

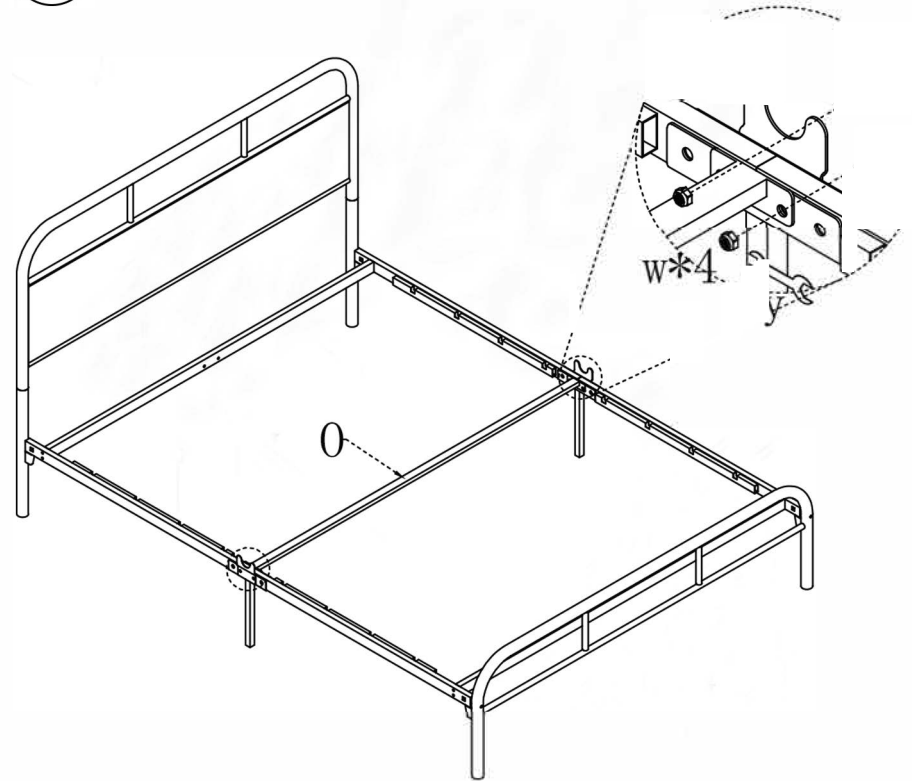
NOTE: PLEASE DO NOT TIGHTEN THE BOLTS UNTIL ALL FIXED

## 5



Note: the Part "S" must put in the middle hole position.

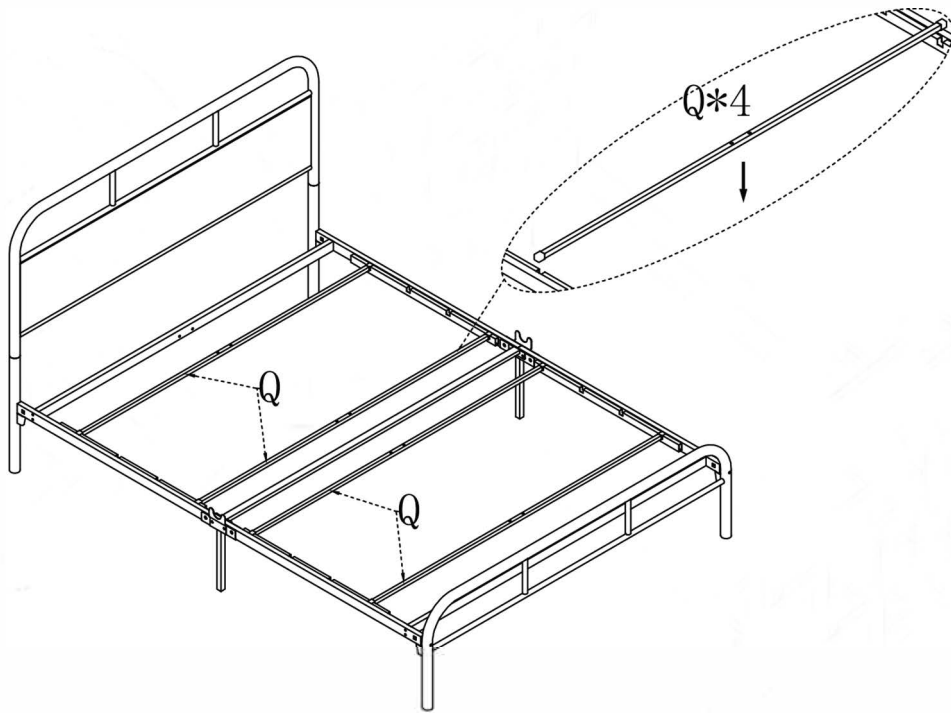
## 6



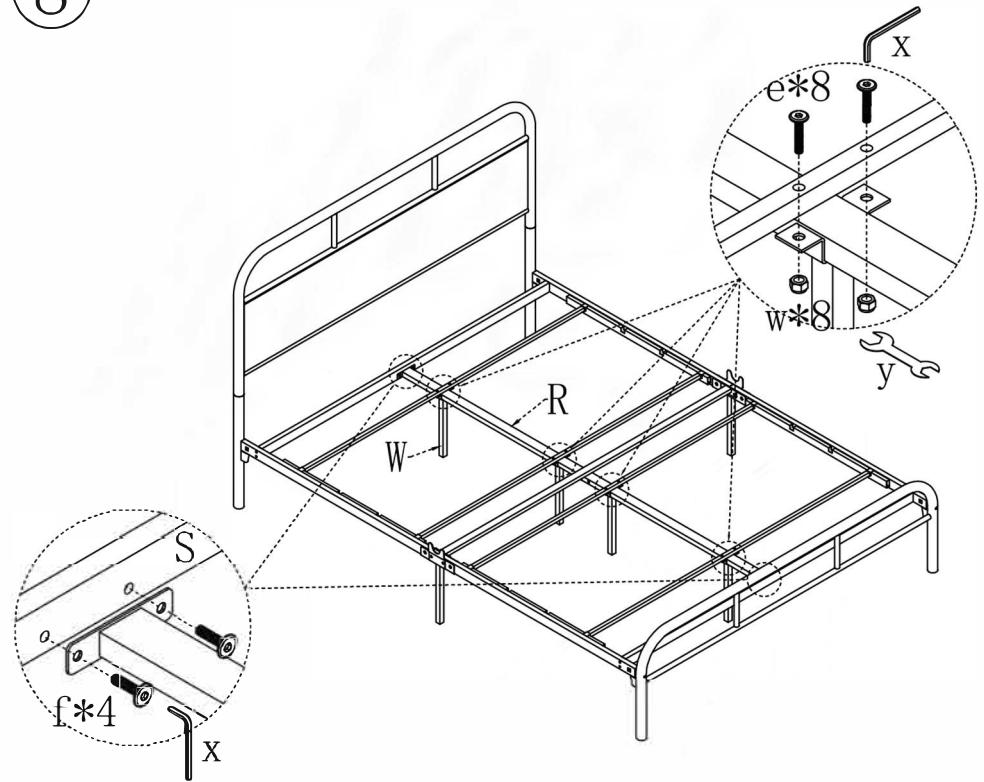
5

NOTE: PLEASE DO NOT TIGHTEN THE BOLTS UNTIL ALL FIXED

7



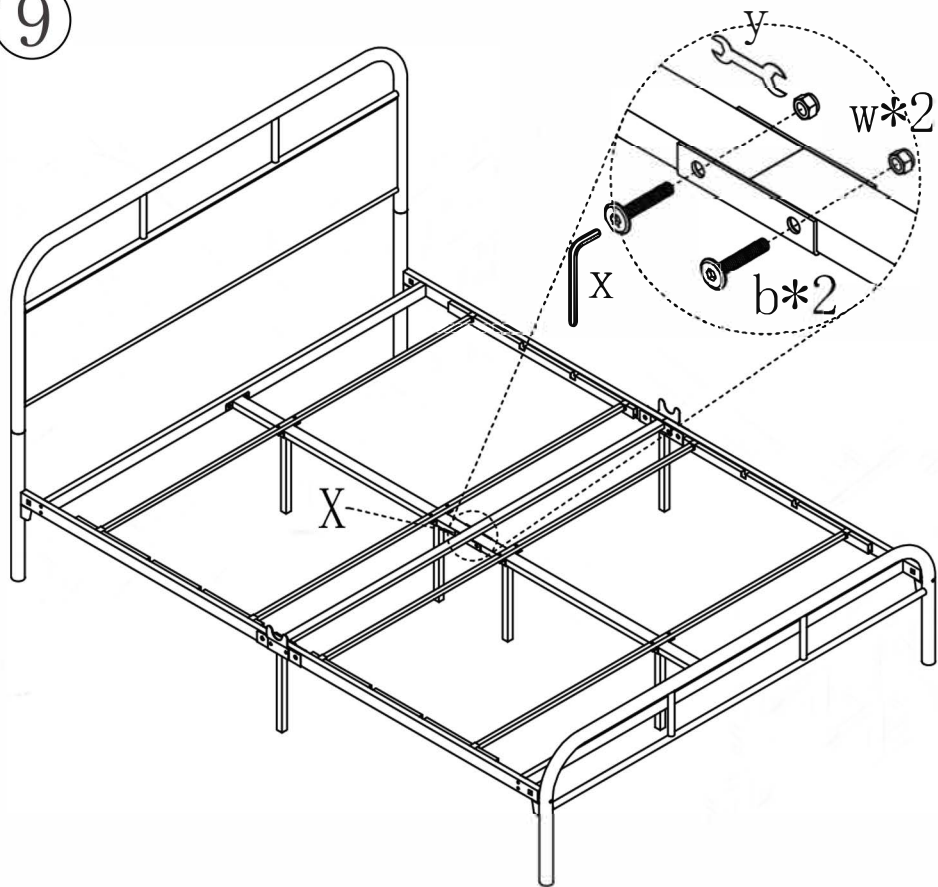
8



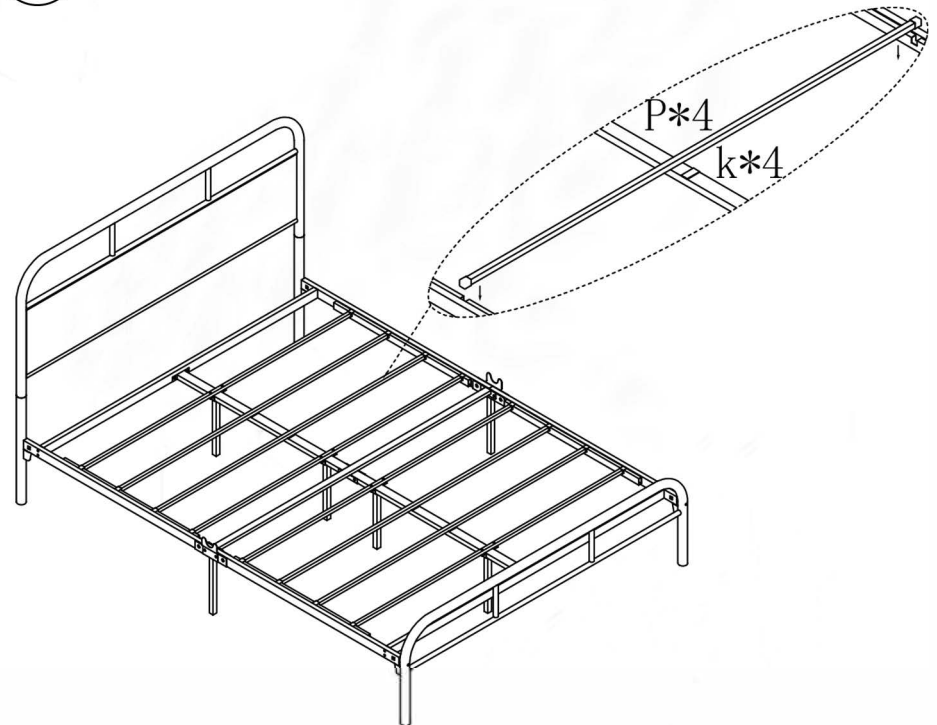
# 6

NOTE: PLEASE DO NOT TIGHTEN THE BOLTS UNTIL ALL FIXED

9



10



Note: paste the "k" fitting on the surface of the "R" fitting, as shown in the picture in the middle of the "R" fitting.

**IMPORTANT: Please completely tighten all the bolts and nuts.**