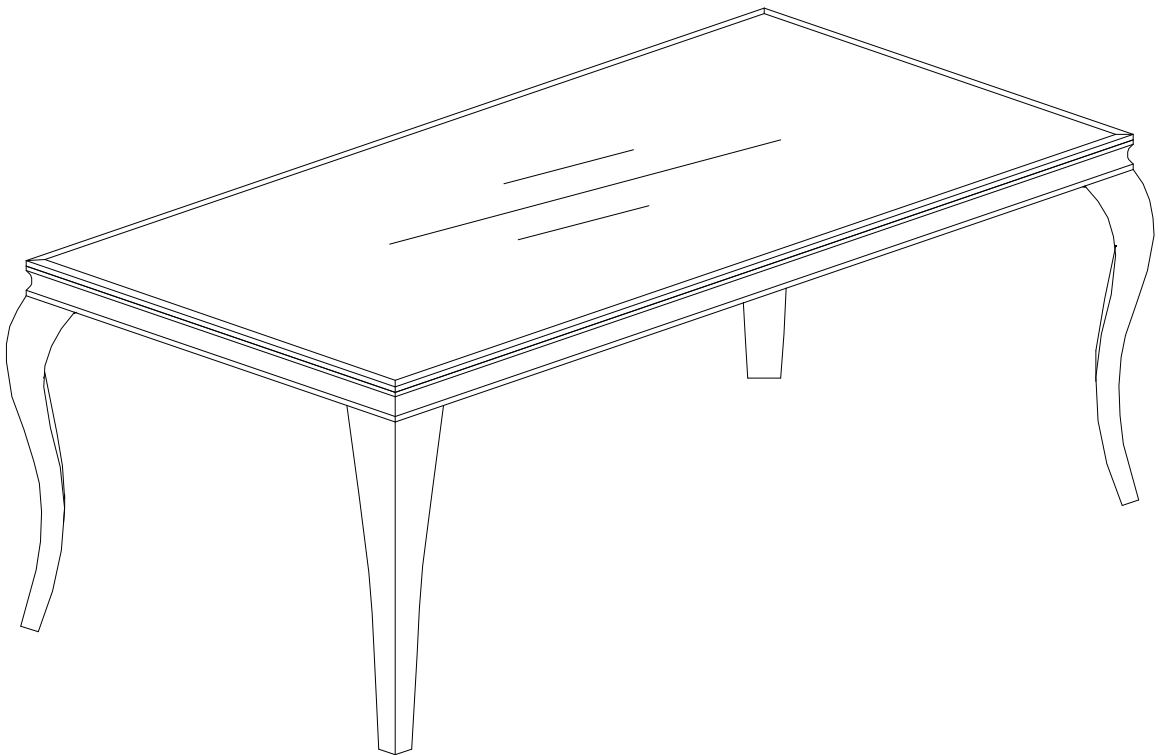


ASSEMBLY INSTRUCTIONS



Dining Table

ASSEMBLY INSTRUCTIONS

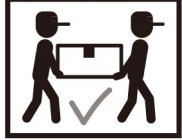
ASSEMBLY TIPS:

1. Remove hardware from box and sort by size.
2. Please check to see that all hardware and parts are present prior to start of assembly.
3. Please follow attached instructions in the same sequence as numbered to assure fast & easy assembly.



WARNING!

1. Don't attempt to repair or modify parts that are broken or defective. Please contact the store immediately.
2. This product is for home use only and not intended for commercial establishments.



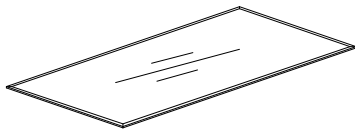
ASSEMBLY TIME

10 MINUTES

PARTS IDENTIFICATION

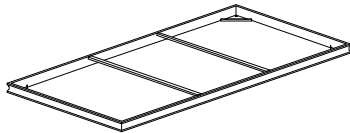
B1(BOX 1)

A GLASS



1PC

B TOP FRAME



1PC

C LEG

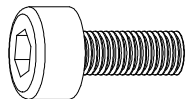


4PCS

Z HARDWARE IDENTIFICATION

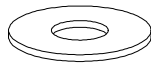
B3(BOX 3)-HARDWARE PACK

1 BOLTS M10*12



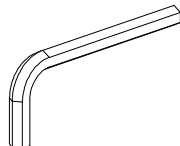
12PCS

2 FLAT WASHER Ø10*20



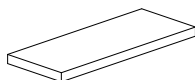
12PCS

3 ALLEN WRENCH 8MM



1PC

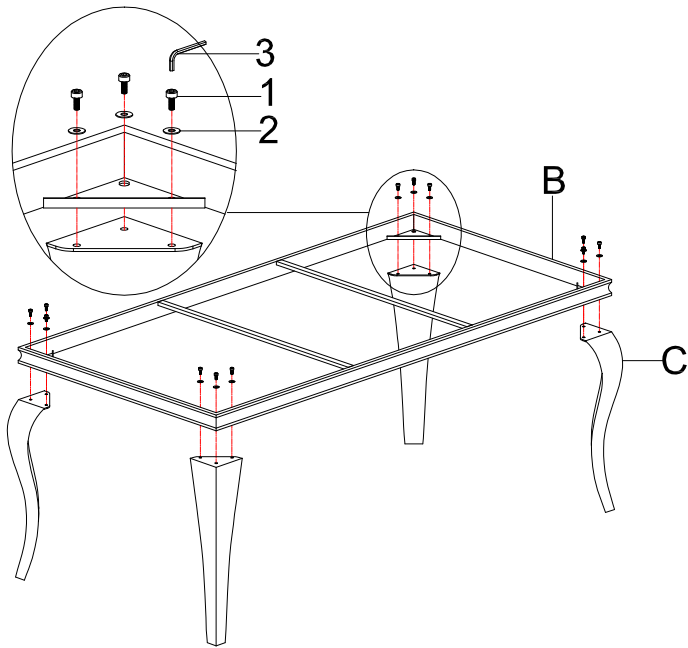
4 GLASS REST



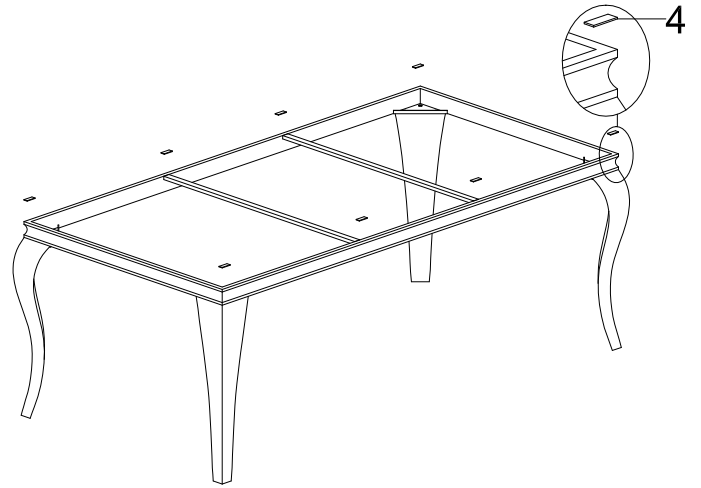
8PCS

ASSEMBLY INSTRUCTIONS

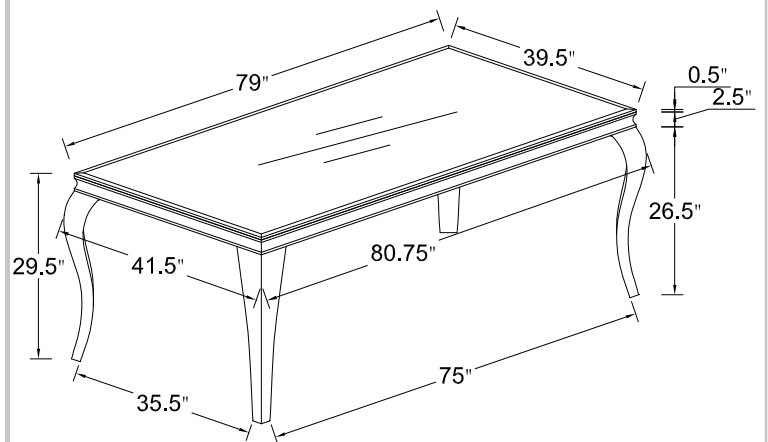
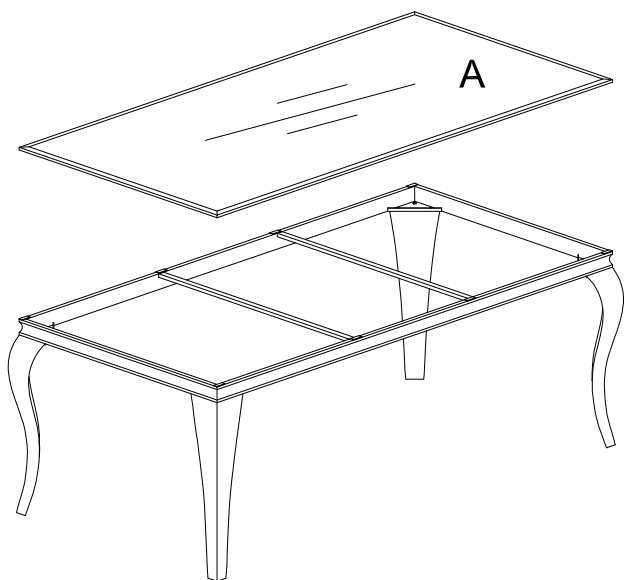
STEP1



STEP2



STEP3



NOTE :DIMENSION TOLERANCE $\pm 5\%$