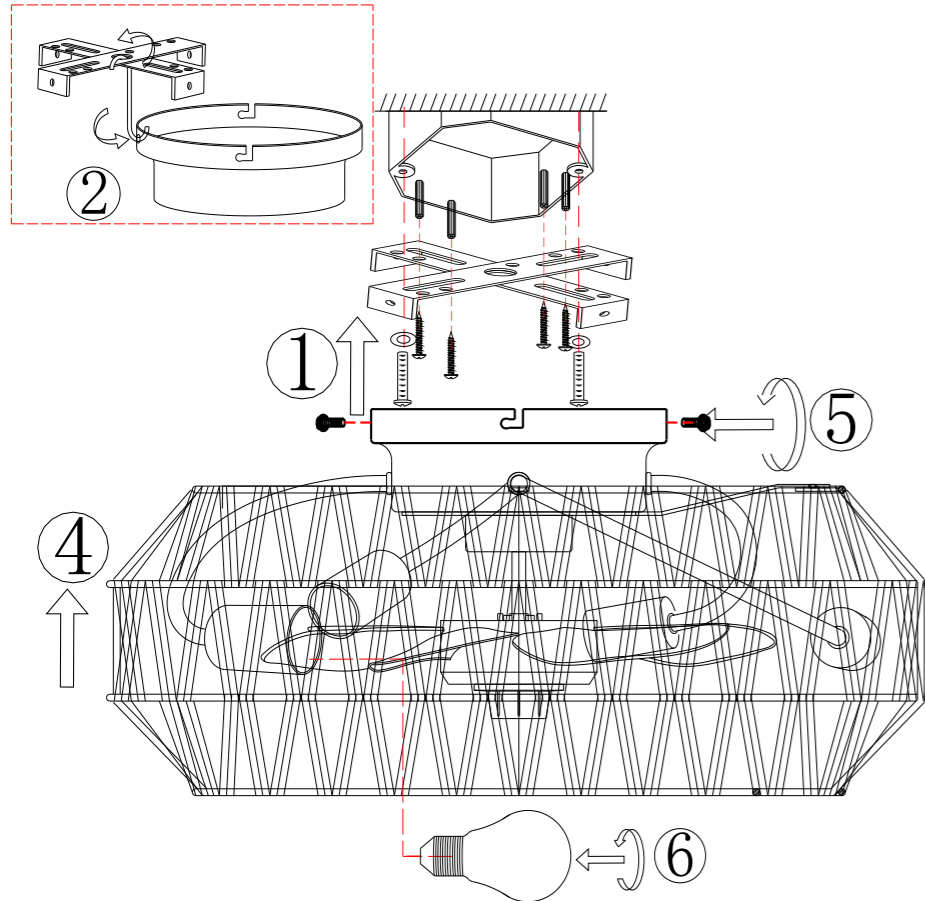


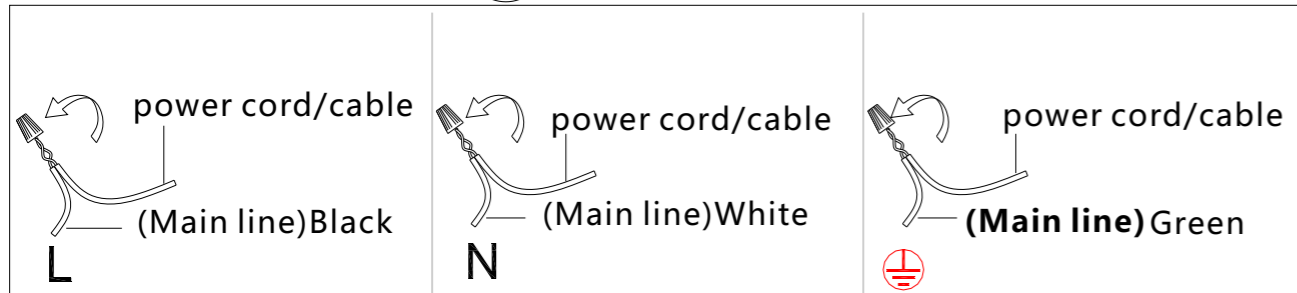
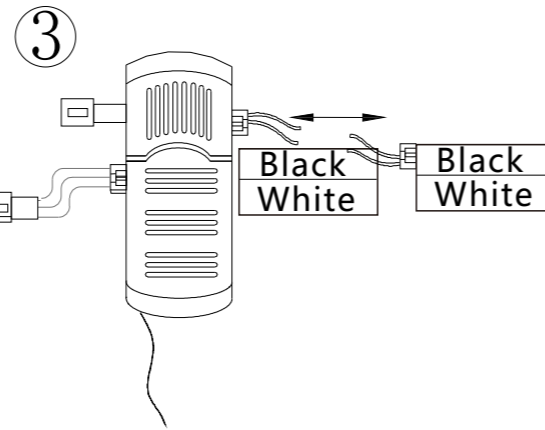
USE INSTALLATION INSTRUCTIONS

18.8-INCH CEILING FAN

1. Pre-Installation(continued)



See page 2 for the detailed wiring diagram :



1. Rated 120V/60HZ, bulb 40W max imam.
2. Care should be taken to avoid damage to the surface of lighting an wite,wearing gloves are remmended when installing.
3. Keep lighting away from acom acid,alkali and other corTosive chemical or gas,clean the lighting with clean soft cloth only.
4. Installation must be carried out by qualified electrician only.
5. Disconnect the power before installing,cleaning and replacing lighting.
6. Never cover the lighting when power is connected.

2.Assembly - Hanging the Fan (continued)

Making the electrical connections

WARNING : To avoid possible electrical shock , turn the electricity off at the main fuse box before wiring . If you feel you do not have enough electrical wiring knowledge or experience , contact a licensed electrician.

WARNING : Check to see that all connections are tight including ground , and that no bare wire is visible at the connect Terminal blocks , except for the ground wire.

CAUTION : Do not use with a wall light dimmer switch.

NOTE : The fan must be installed at a maximum distance of 20 ft from the remote control for proper signal transmission between the remote control and the fan's receiving unit.

Motor to receiver electrical connections

- 1 . Connect the fan wire with receiver wire by connect terminal.
- 2 . Connect the lamp line with receiver wire by connect terminal Receiver to house supply wires electrical connections.
- 3 . Connect the receiver white wire marked " AC in N " to the household white wire (neutral) using a wire terminal block.
- 4 . Connect the receiver Black wire marked " AC in L " to the household Black wire (hot) using a wire terminal block.
- 5 . Connect the fan wire an the ground wire on the hanger through the terminal block.
- 6 . Use the terminal block to connect the ground wire on the mounting bracket and the receiver to the household ground wire.

