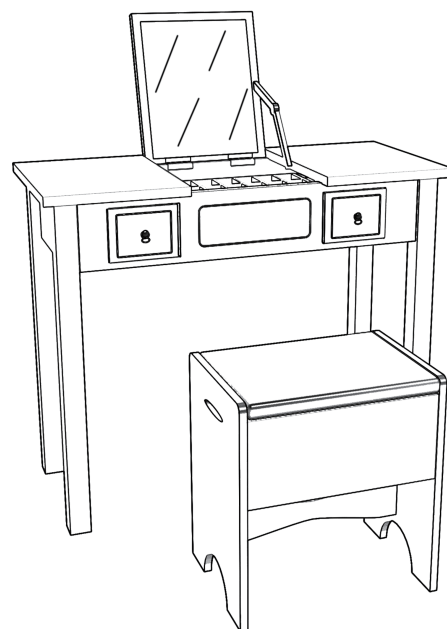


User Manual



You need

① 1 person is needed

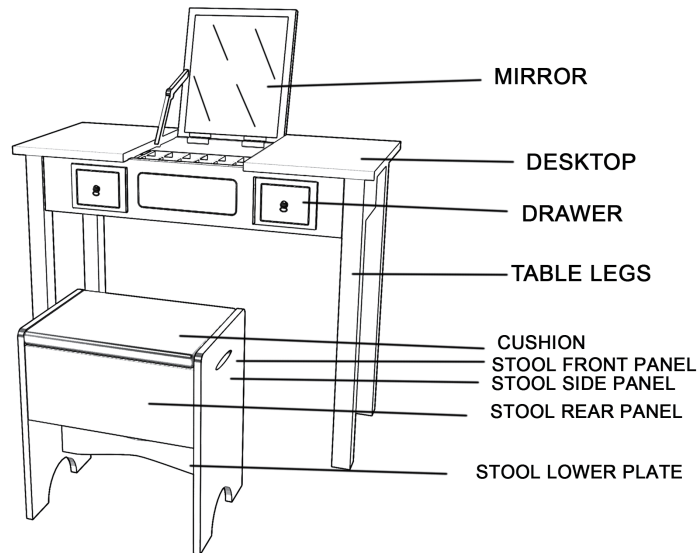




② Take 30 minutes



Technical Specifications	
Style	for furniture
Max weight capacity	desk180kg; stool150kg

PART LIST



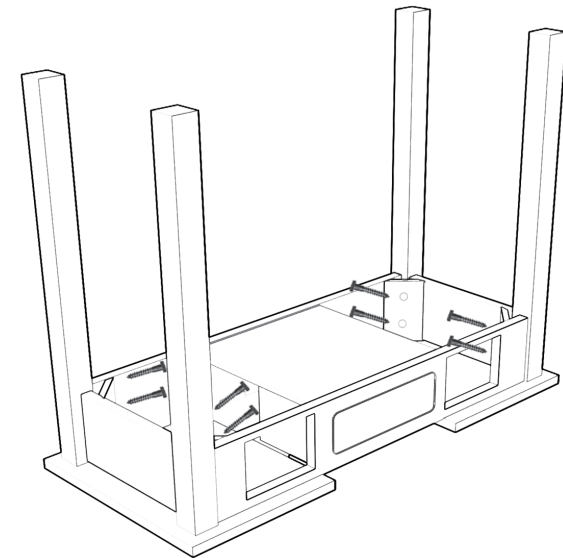
	
M6x60mm	M4x40mm
① 8PCS	② 12PCS

PRODUCT ASSEMBLY

 Check the package contents before getting started !

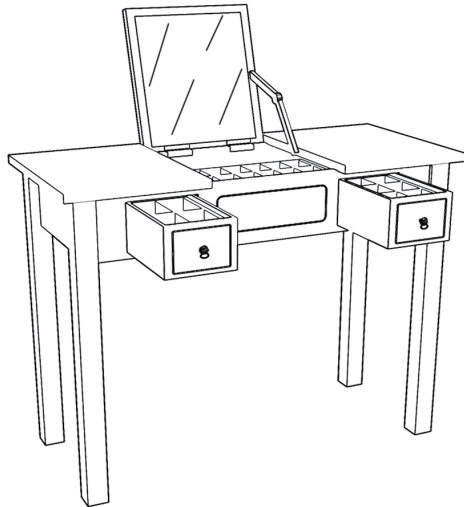
STEP 1


M6x60mm
① 8PCS



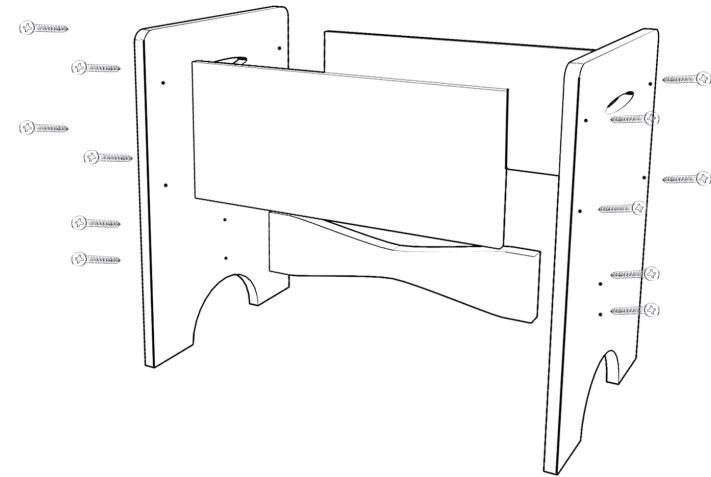
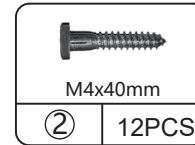
USE HARDWARE 1 (X 8 PCS) TO MOUNT THE LEGS TO THE TABLE.

STEP 2



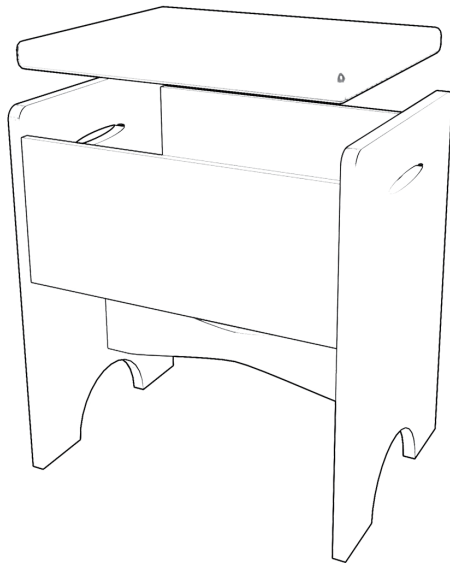
LOAD THE DRAWER AND THE TABLE IS INSTALLED.

STEP 3



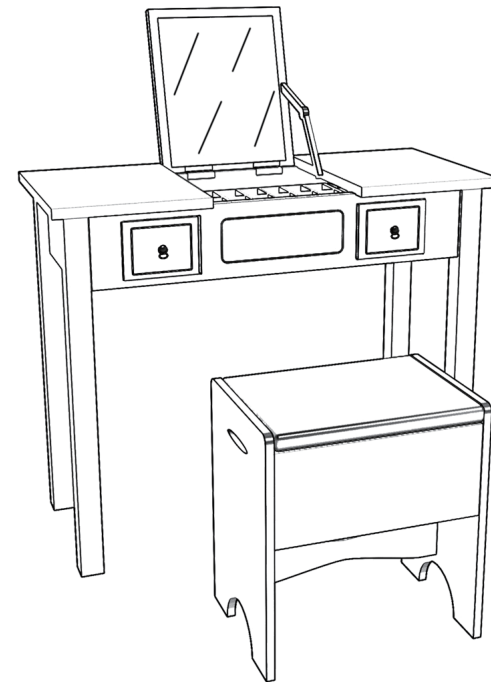
AS SHOWN, THE FRONT PANEL, REAR PANEL, SIDE PANELS, AND SIDE LOWER PANELS OF THE STOOL ARE MOUNTED TOGETHER USING HARDWARE 2 (X 12PCS).

STEP 4



PLACE THE CUSHION ON THE ASSEMBLED
STOOL AND THE STOOL IS INSTALLED.

STEP 5



ASSEMBLY COMPLETED