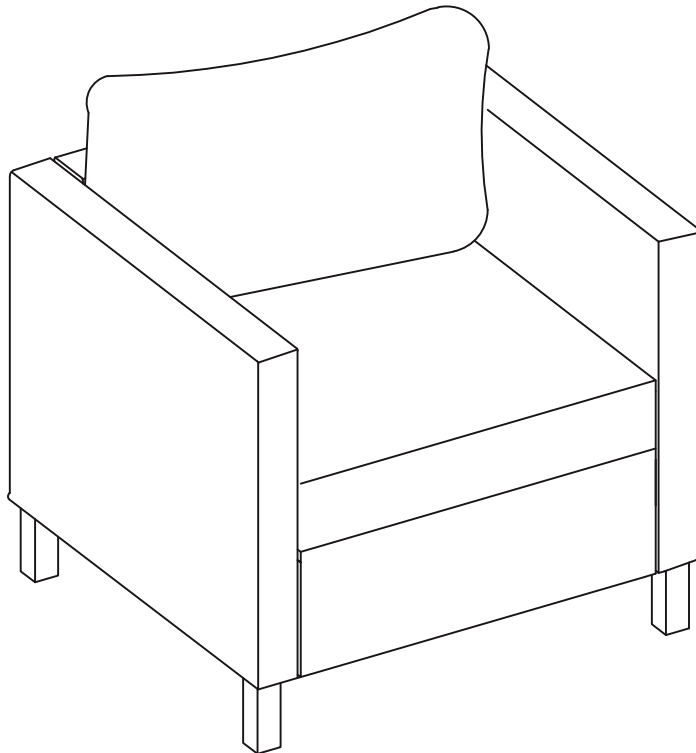


Instruction Manual

78cm Armchair - Light Grey Rattan with Stone Grey Cushions



CONTENTS

Safety and care advice	1
Components	2
Assembly instructions	4
Copyright	12

⚠ SAFETY AND CARE ADVICE ⚠

PLEASE READ THESE INSTRUCTIONS CAREFULLY AND KEEP FOR FUTURE REFERENCE

- **Warning:** Please lift with care.
- Check you have all the components and tools listed on pages 2 and 3.
- Remove all fittings from the plastic bags and separate them into their groups.
- Keep children and animals away from the work area, small parts could choke if swallowed.
- Make sure you have enough space to lay out the parts before starting.
- Do not stand or put weight on the product, this could cause damage.
- Assemble the item as close to its final position (in the same room) as possible.
- Assemble on a soft level surface to avoid damaging the unit or your floor (use opened out unit carton).

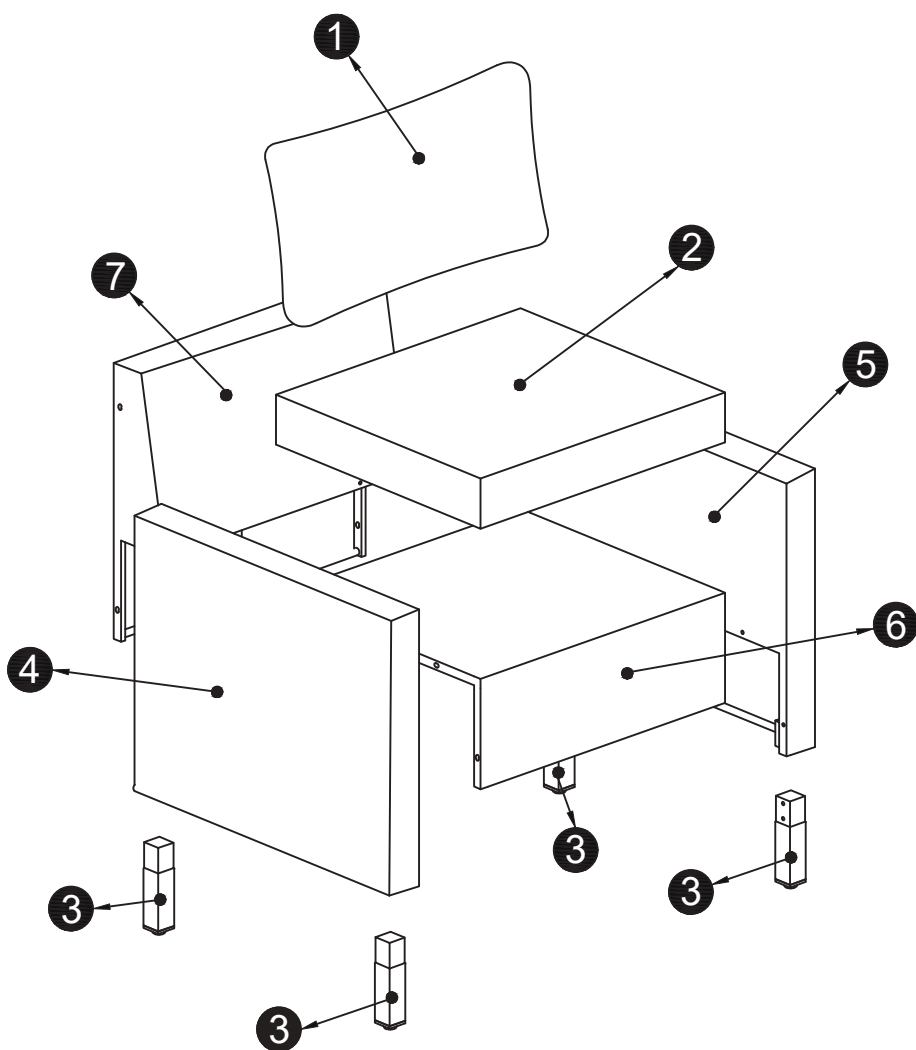


- We do not recommend the use of power drill/drivers **for inserting screws**, as this could damage the unit. Only use hand screwdrivers.
- Dispose of all packaging carefully and responsibly.

CARE AND MAINTENANCE

- Only clean using a damp cloth and mild detergent, do not use bleach or abrasive cleaners.
- From time to time check that there are no loose screws on this unit.
- This product should not be discarded with household waste. Take to your local authority waste disposal center.

Note *If required the next page can be cut out and used as reference throughout the assembly. Keep this page with these instructions for future reference.*

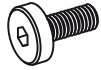


1	Back Cushion	x1	5	Arm Left	x1
2	Seat Cushion	x1	6	Seat	x1
3	Legs	x4	7	Back	x1
4	Arm Right	x1			

COMPONENTS

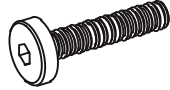
Please check you have all the fittings listed below:

A



Bolt M6 x 20 (8 pcs)

B



Bolt M6 x 40 (12 pcs)

C



Flat Washer (20 pcs)

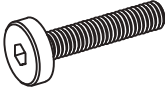


D

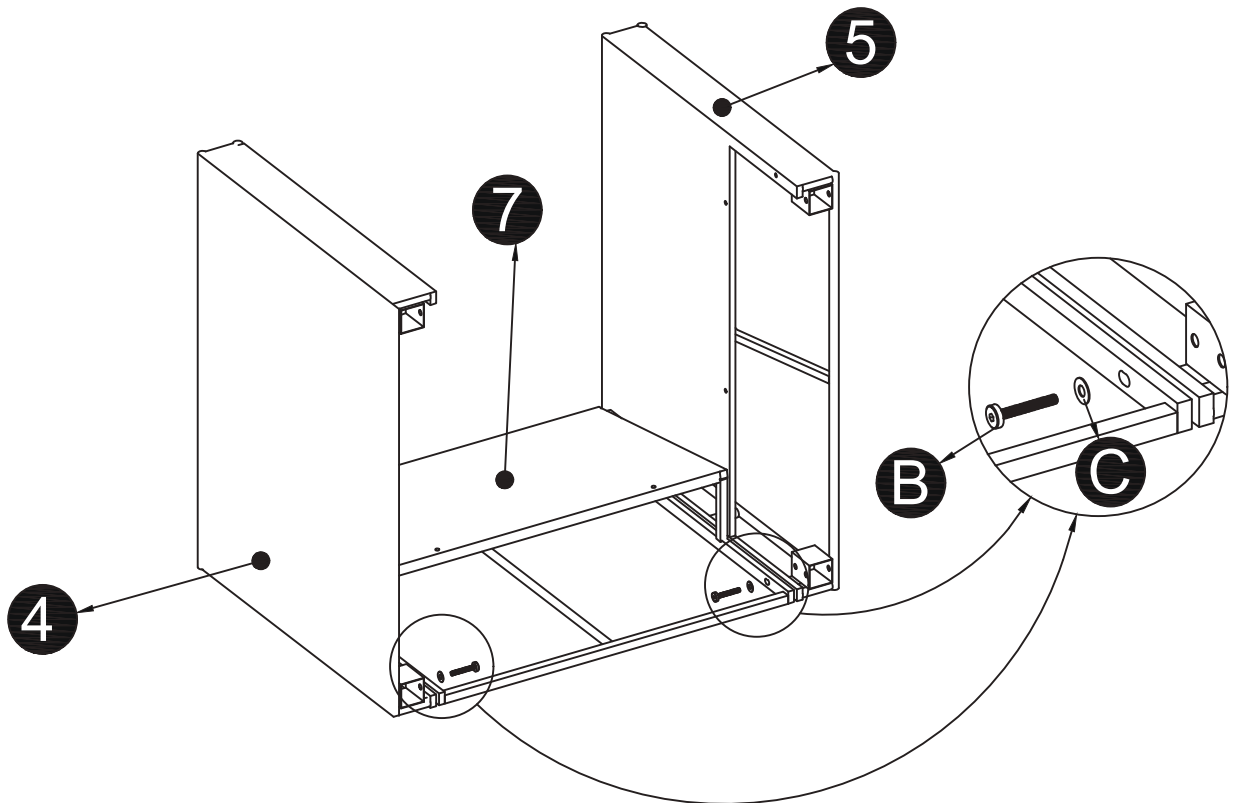
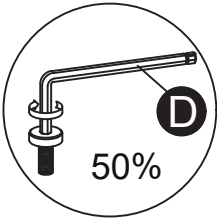


Allen Key (1 pc)

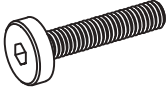


ASSEMBLY INSTRUCTIONS

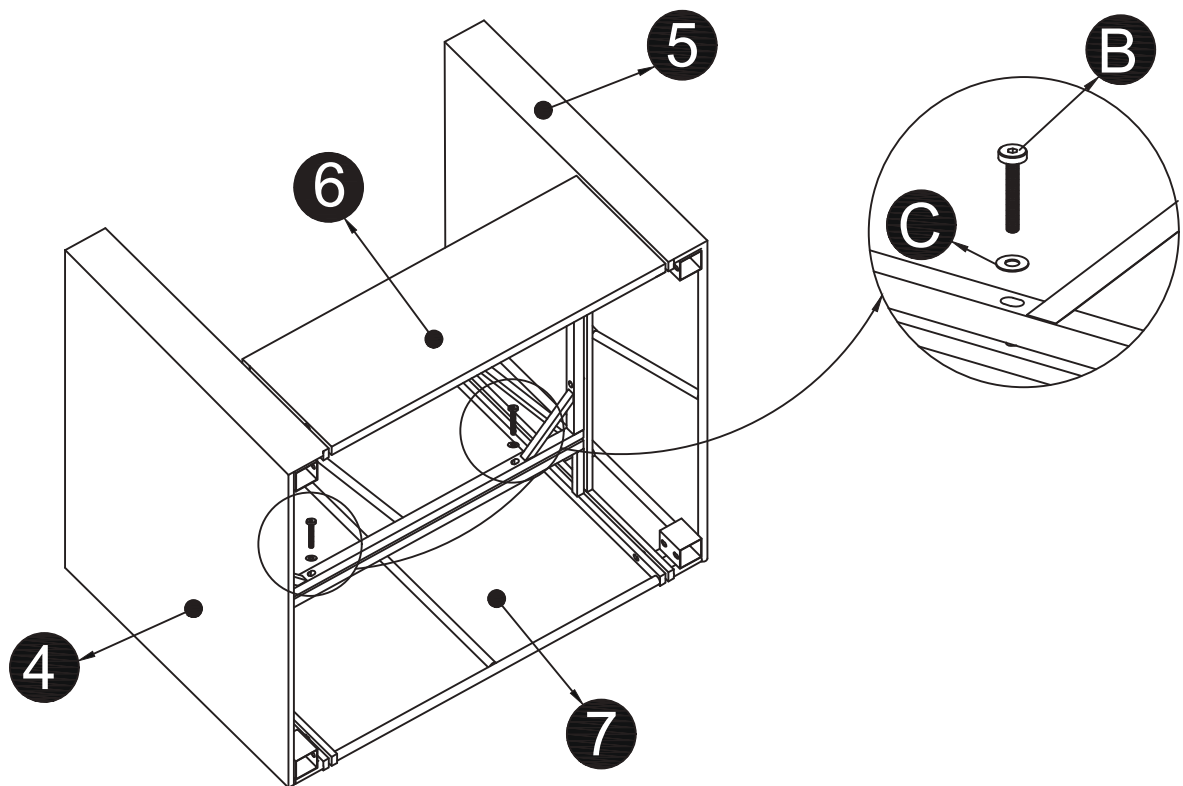
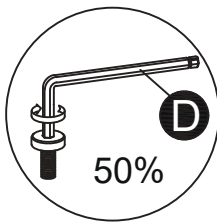
Step 1:

B		2
C		2
D		1

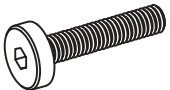




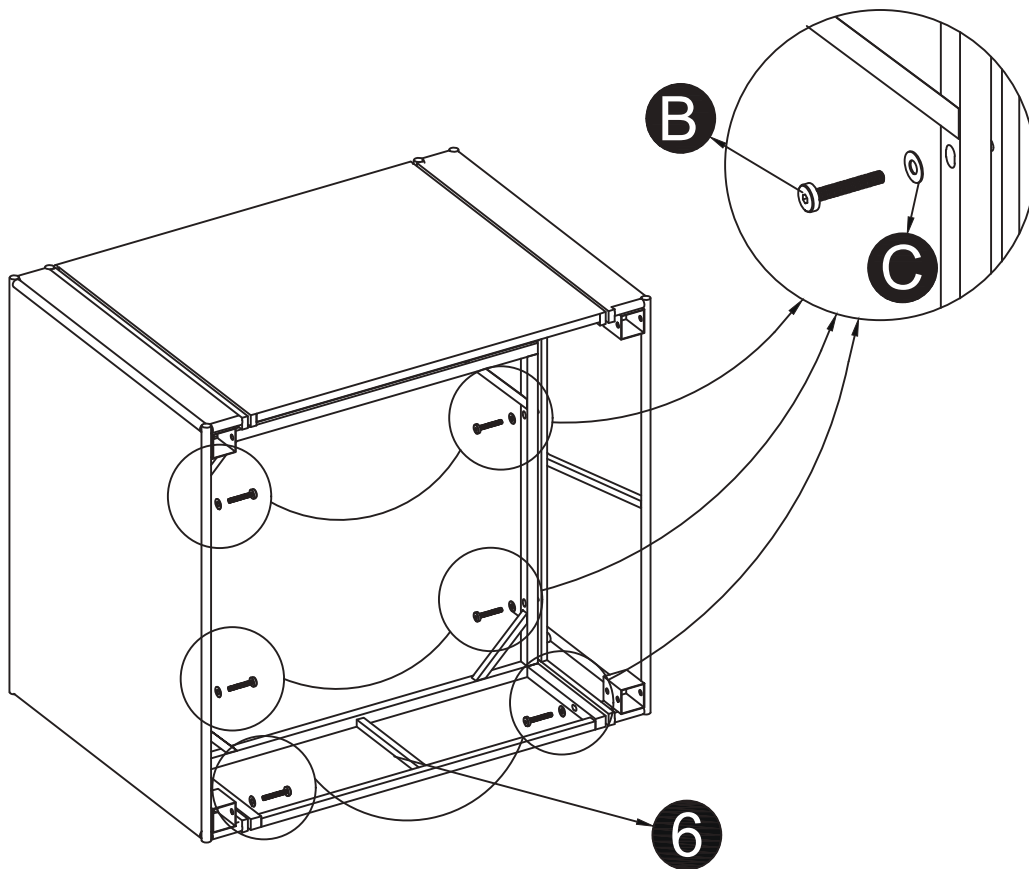
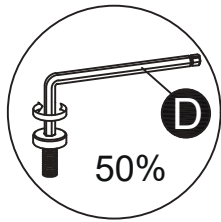
ASSEMBLY INSTRUCTIONS

B		2
C		2
D		1

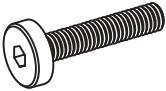




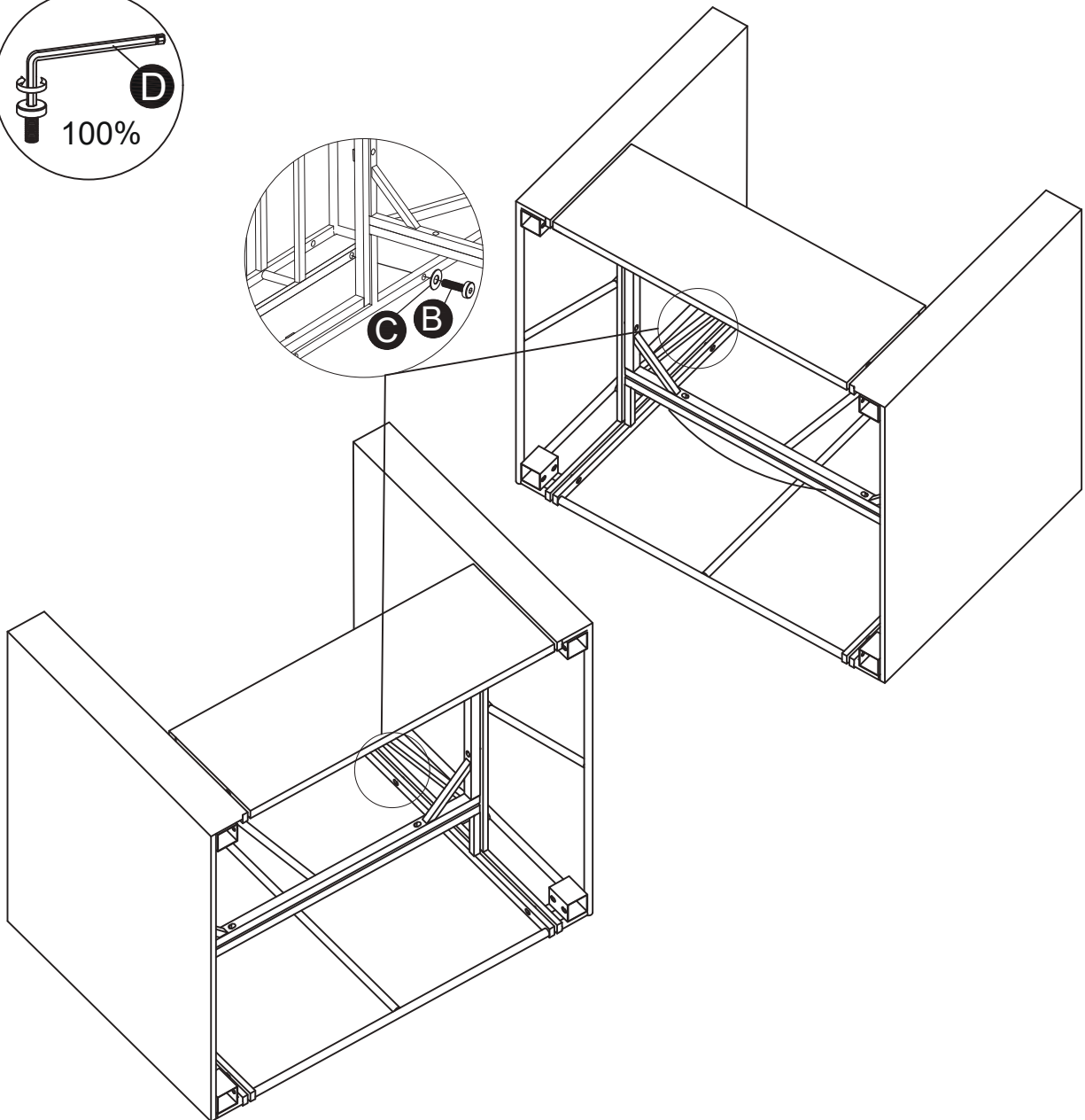
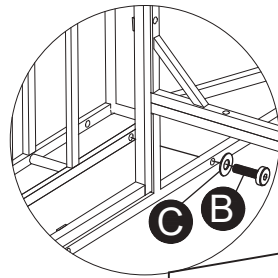
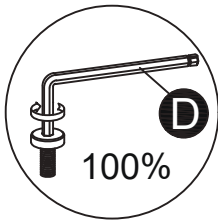
ASSEMBLY INSTRUCTIONS

B		6
C		6
D		1

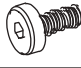




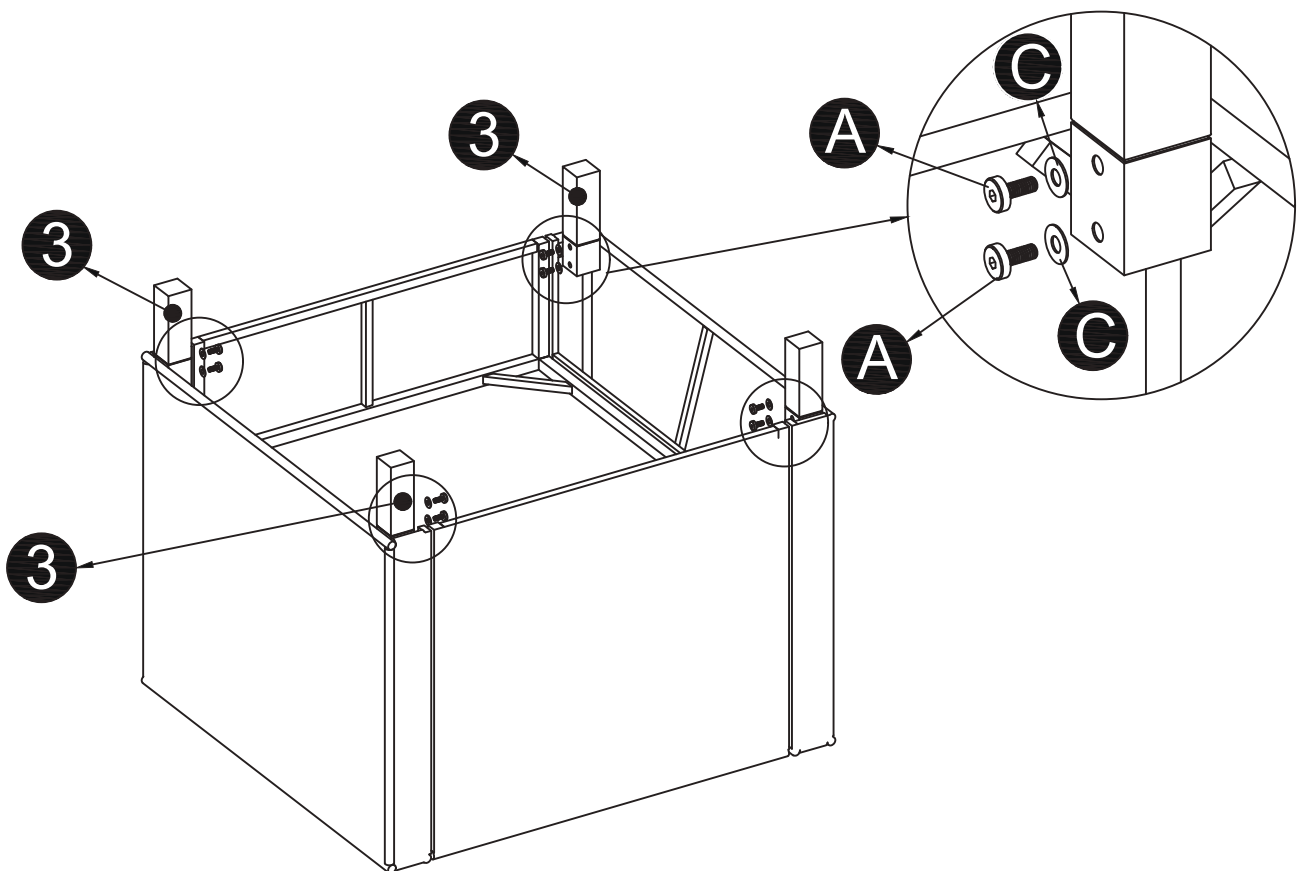
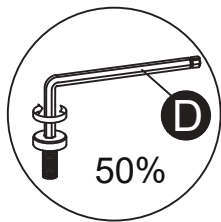
ASSEMBLY INSTRUCTIONS

B		2
C		2
D		1

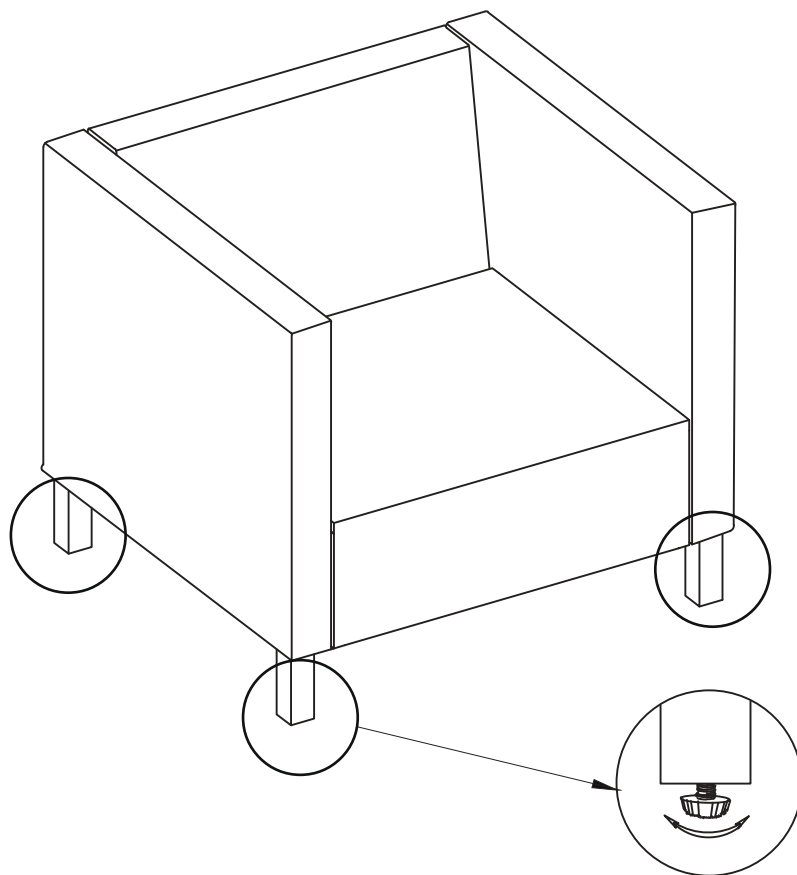
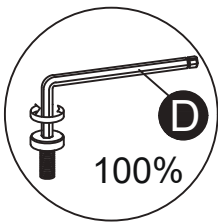


ASSEMBLY INSTRUCTIONS

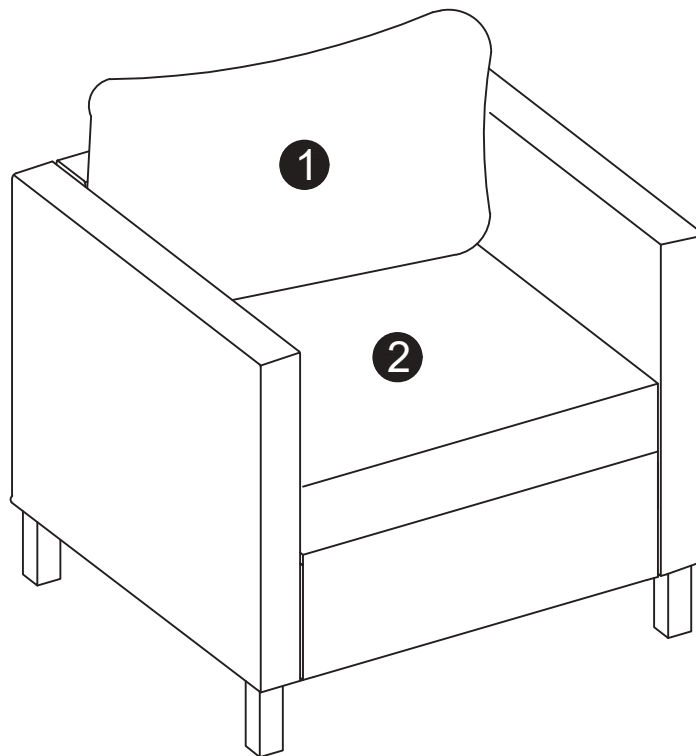
A		8
C		8
D		1



ASSEMBLY INSTRUCTIONS



ASSEMBLY INSTRUCTIONS



Congratulation! Now you have finished assembling the product.

IF YOU FIND A DEFECTIVE PART

We fully stock all parts and components. Any defective part can be quickly replaced. Take note of the defective part number in manual and we will arrange a quick replacement.

COPYRIGHT

All material in this instruction manual is copyrighted
Any unauthorised use may violate worldwide copyright, trademark and other laws.