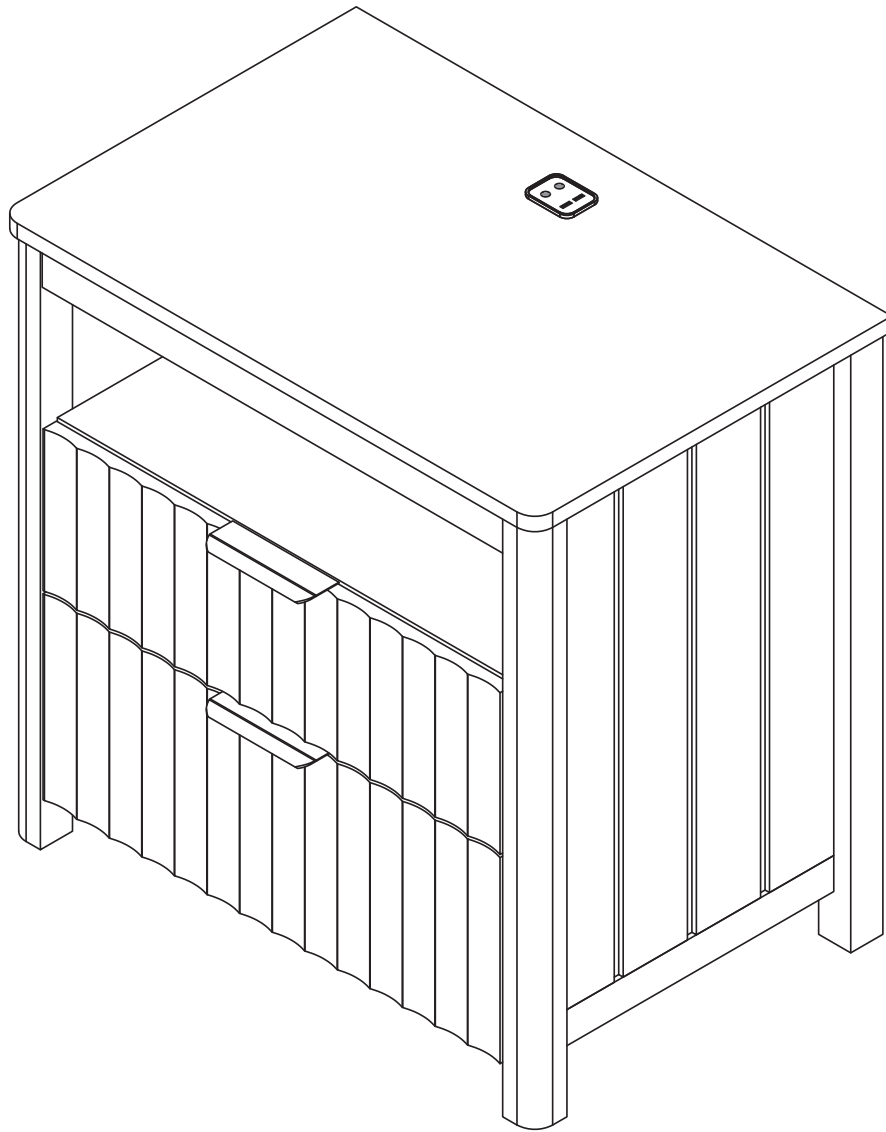
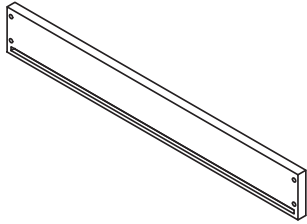
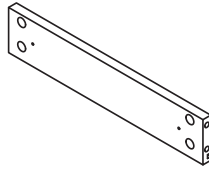


Product Installation Instructions

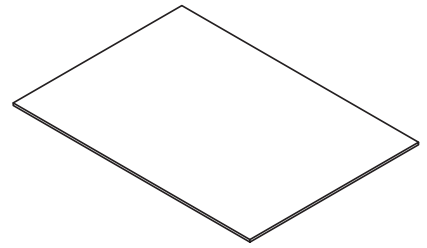




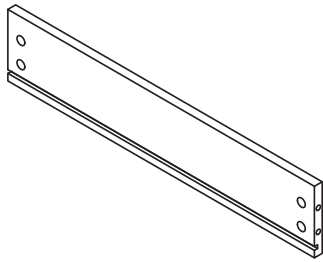
1x2



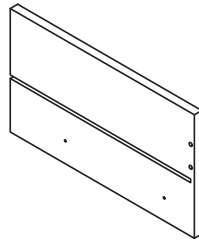
2x2



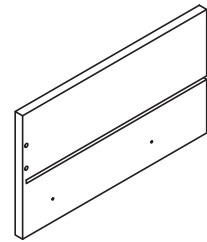
3x1



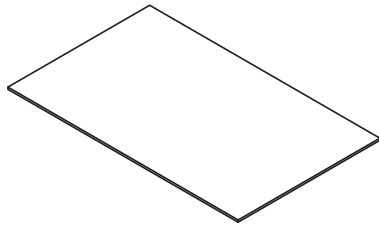
4x1



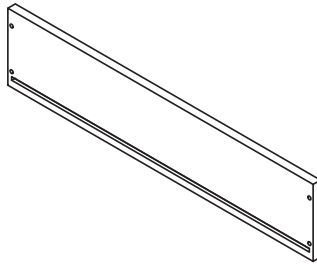
5x1



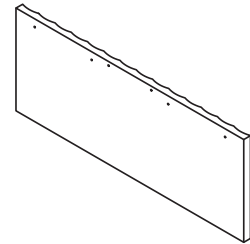
6x1



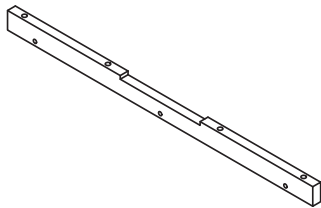
7x1



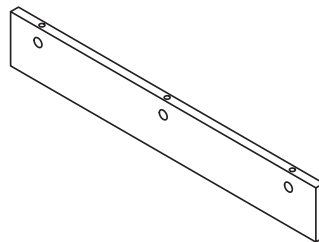
8x1



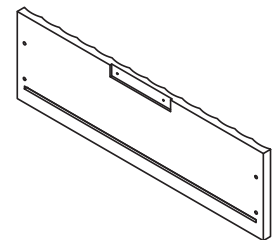
9x1



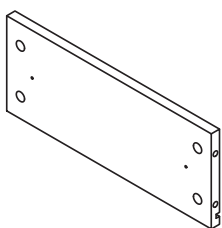
10x1



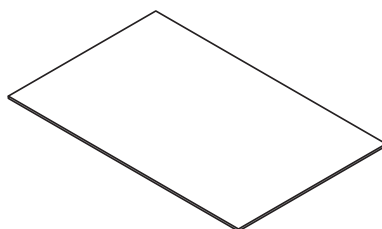
11x1



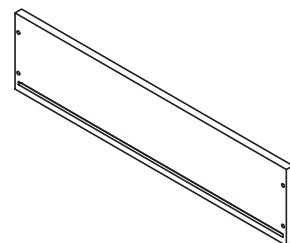
12x1



13x2



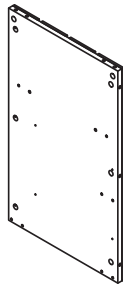
14x1



15x1



16x1



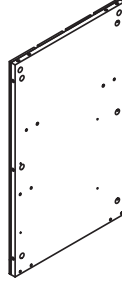
17x1



18x1



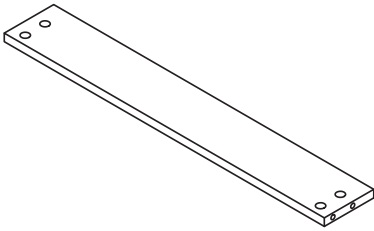
19x1



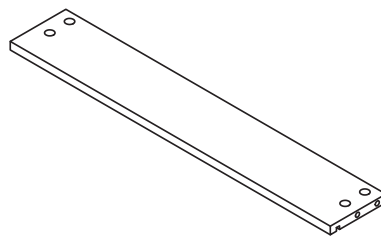
20x1



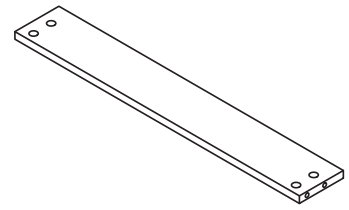
21x1



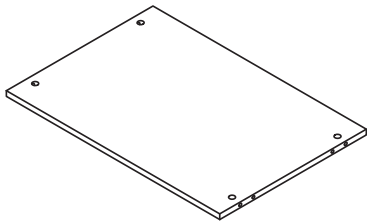
22x1



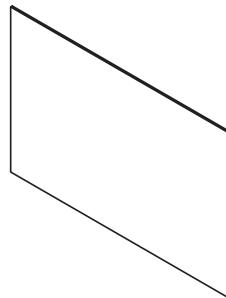
23x1



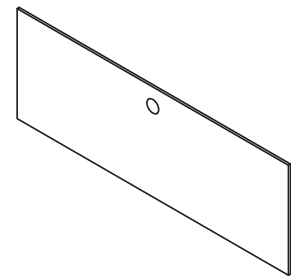
24x1



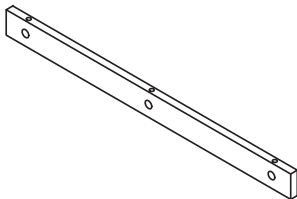
25x1



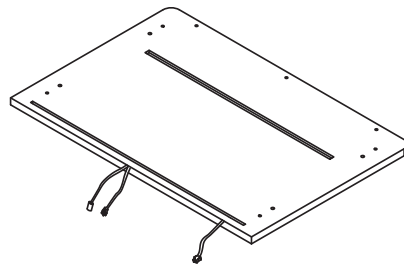
26x1



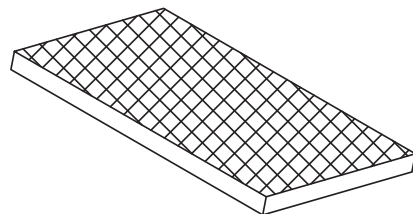
27x1



28x1

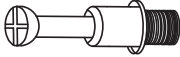

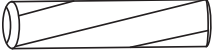
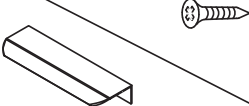
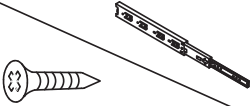
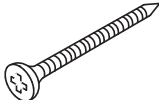

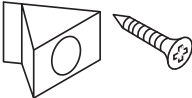
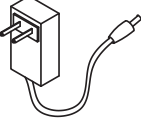


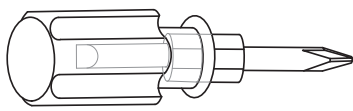
29x1



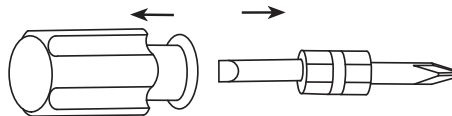
30x1

Accessories list

A		Two In One Screw (6x28mm)	62pcs +6pcs
B		Two In One Nut (10x12mm)	62pcs +6pcs
C		Wood Chipping (6x30mm)	8pcs +2pcs
D		Handle & Screw (3x12mm)	4pcs +1pcs 2pcs
E		Screw & Guide (29cm) (3x12mm)	6pcs 30pcs +2pcs
F		Screw (4x30mm)	4pcs +1pcs
G		Non-slip pads (36x36x2mm)	4pcs +2pcs
H		Fixing Clip & Screw (3x16mm)	6pcs +1pcs
		AC/DC Adapter (12V=2.0A)	1pcs

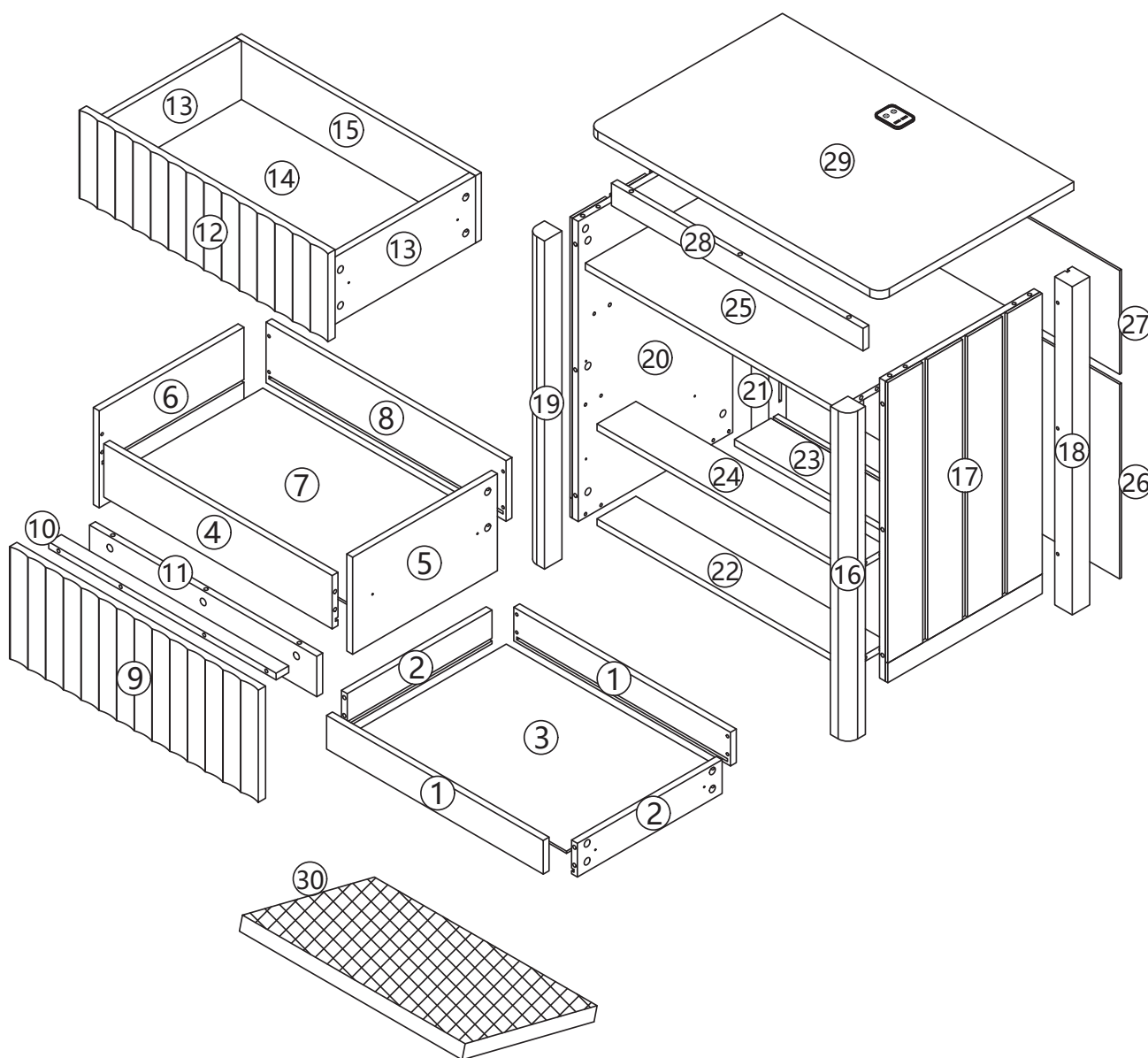


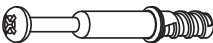







1pcs

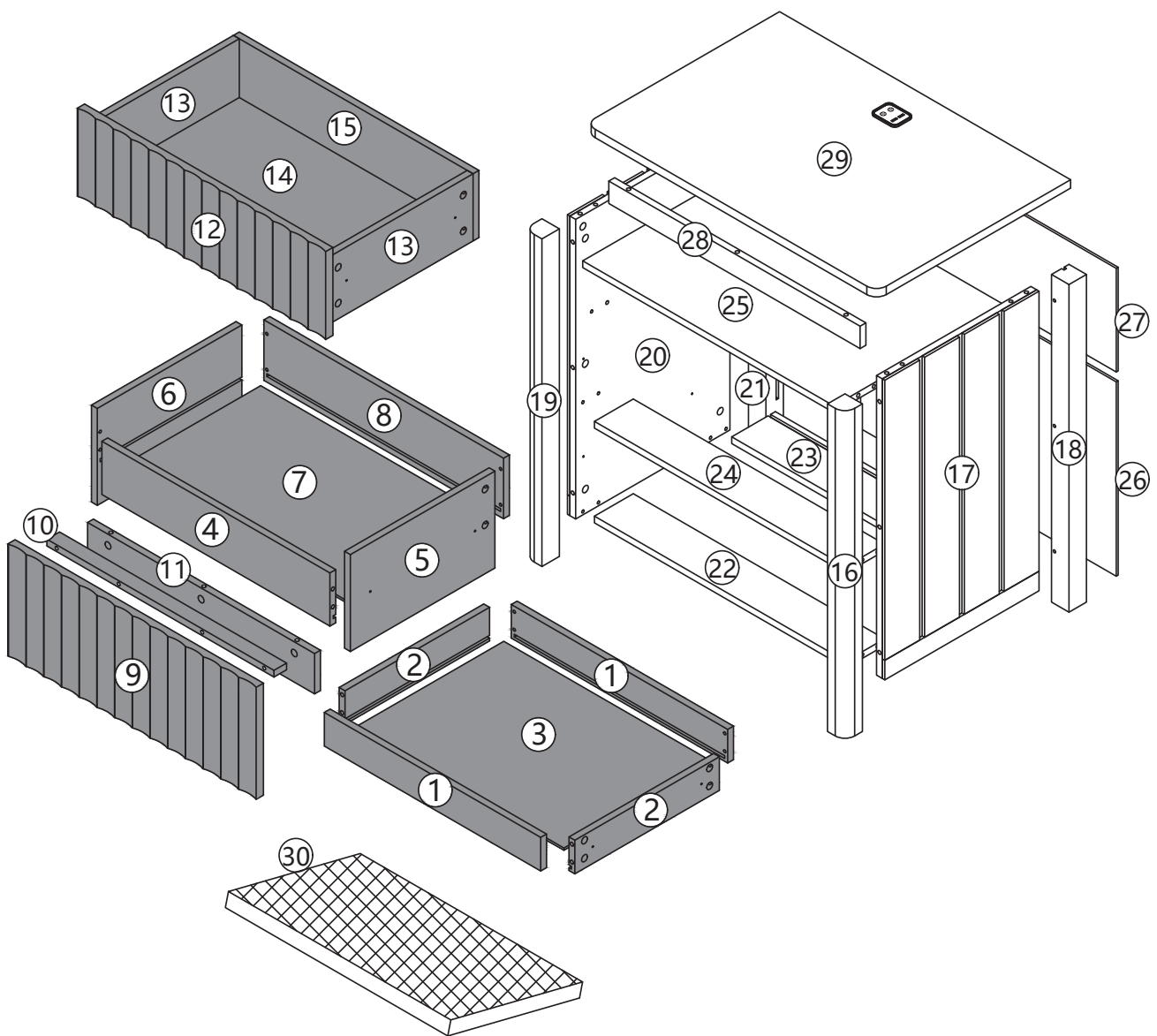


Double-head screwdriver, use as required

Product structure decomposition

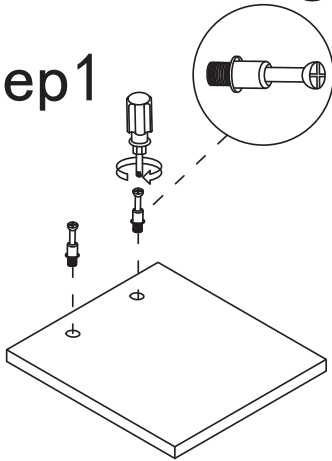


A		27pcs	B		27pcs	D		
E		x6			x2	F		4pcs

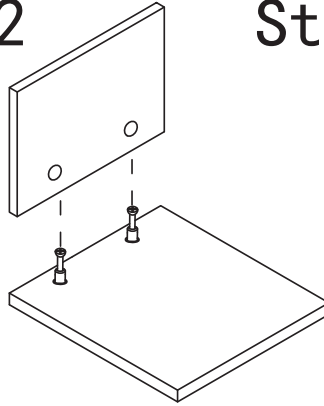


Use parts ① and ②

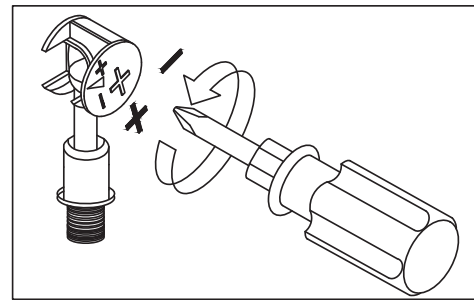
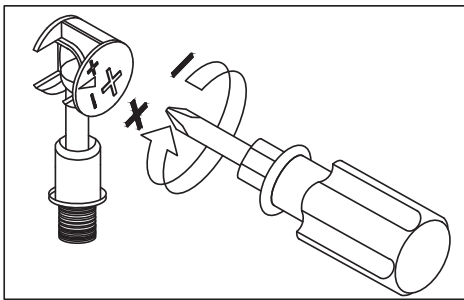
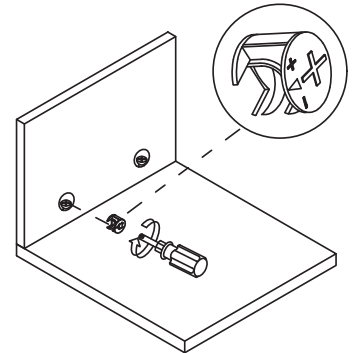
Step 1



Step 2



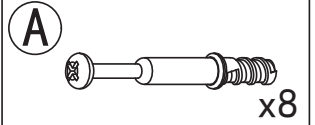
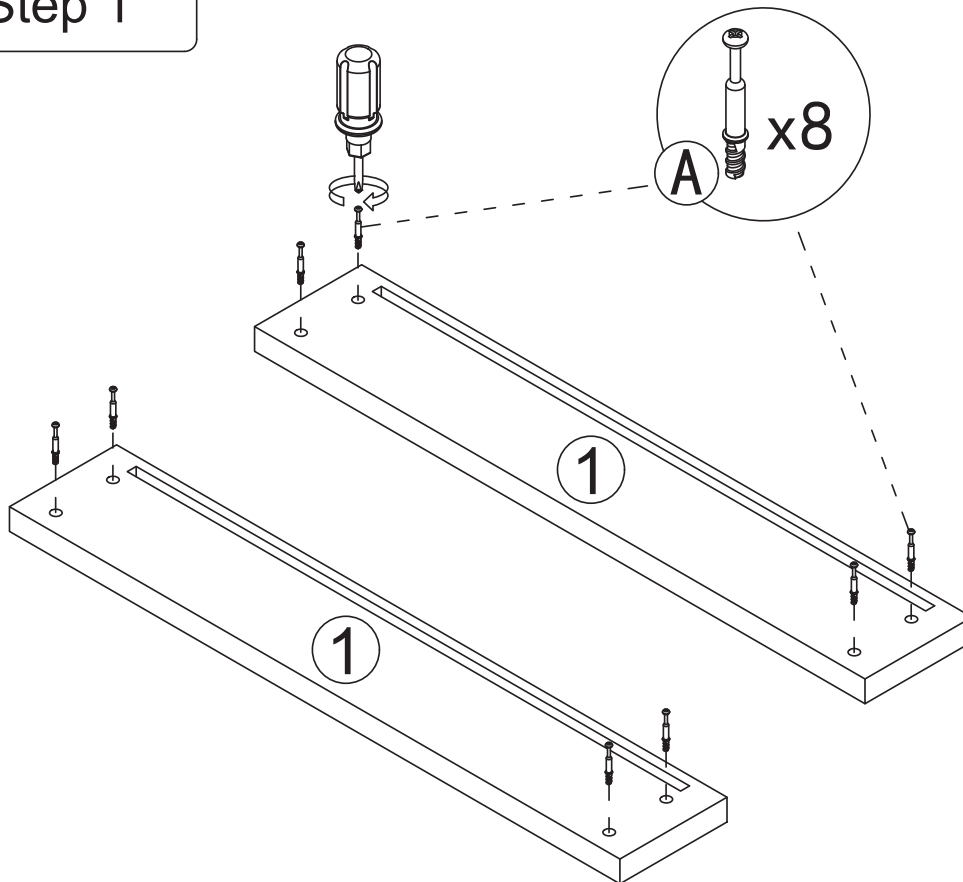
Step 3



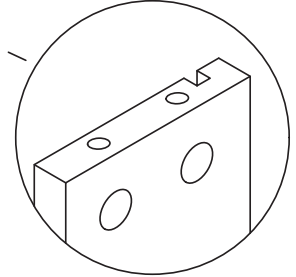
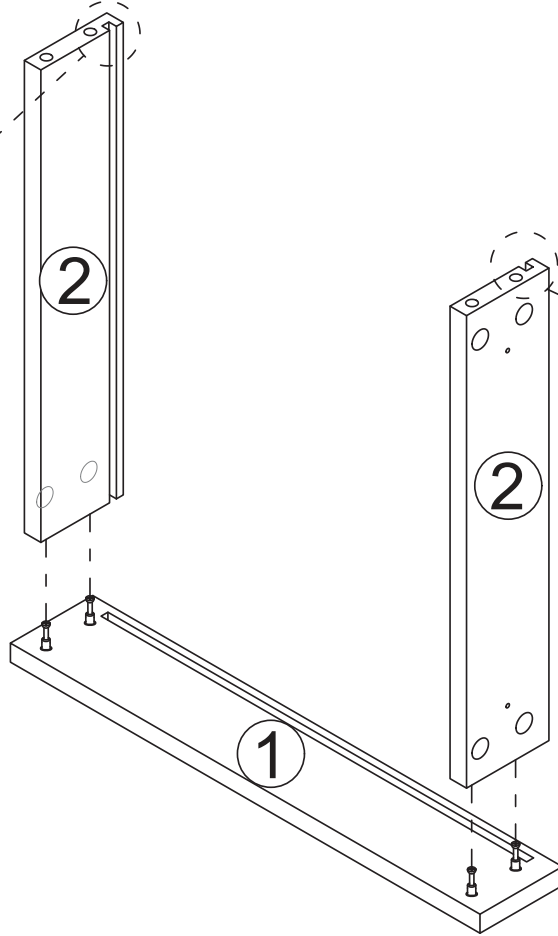
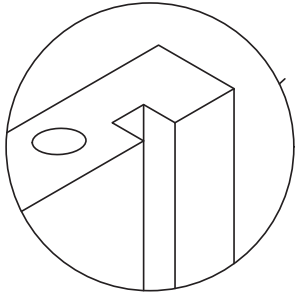
Use a screwdriver to lock in the direction of the "+" sign

Disassemble along the direction of "-" sign

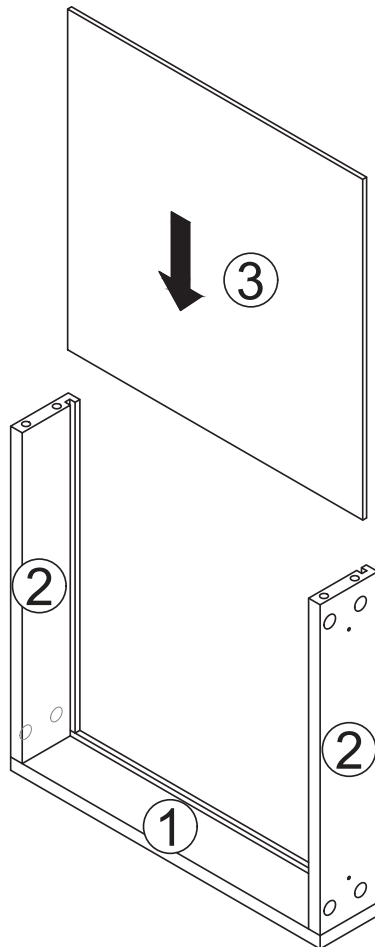
Step 1



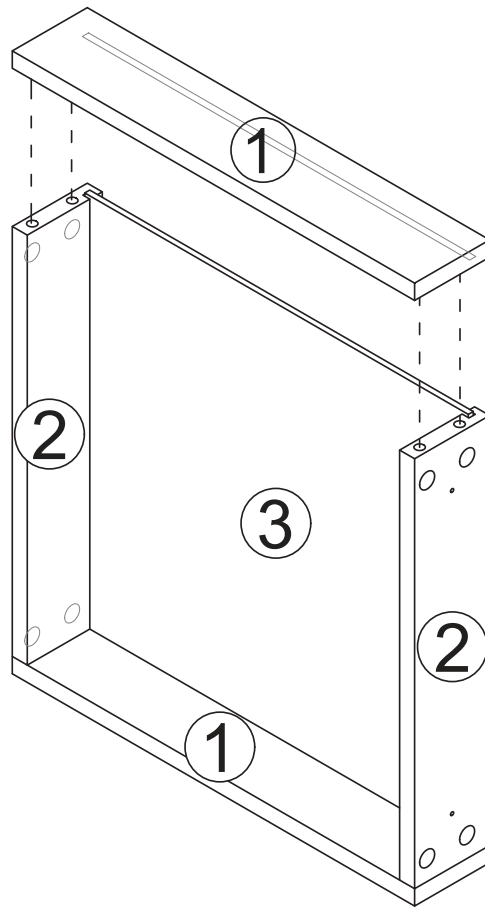
Step 2



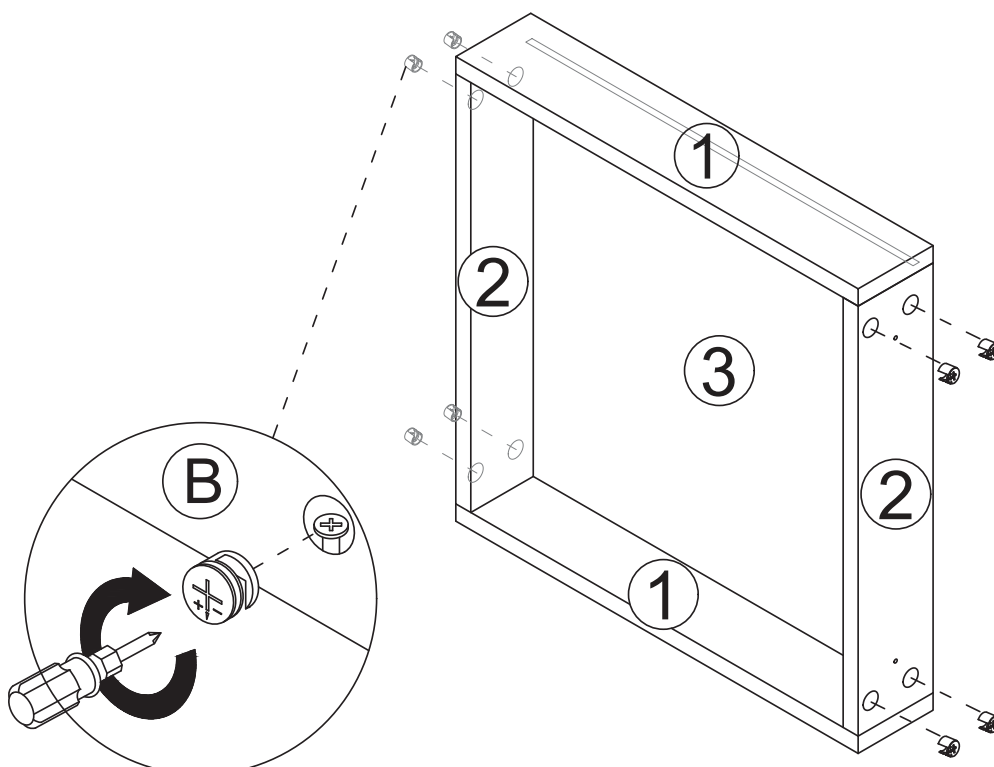
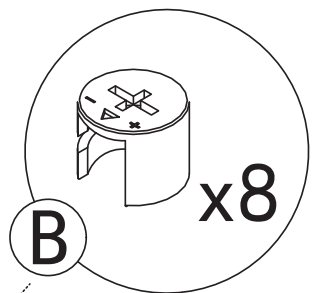
Step 3



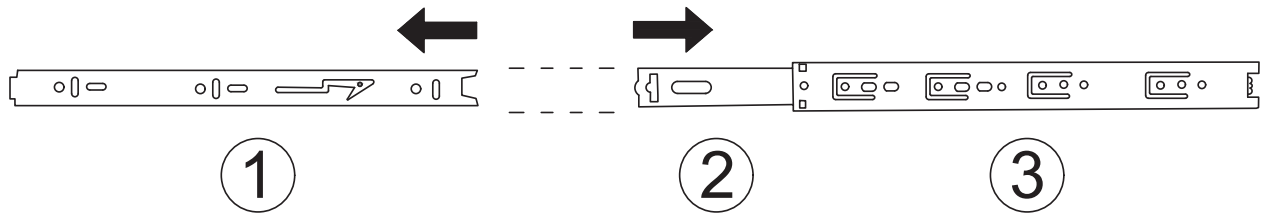
Step 4



Step 5

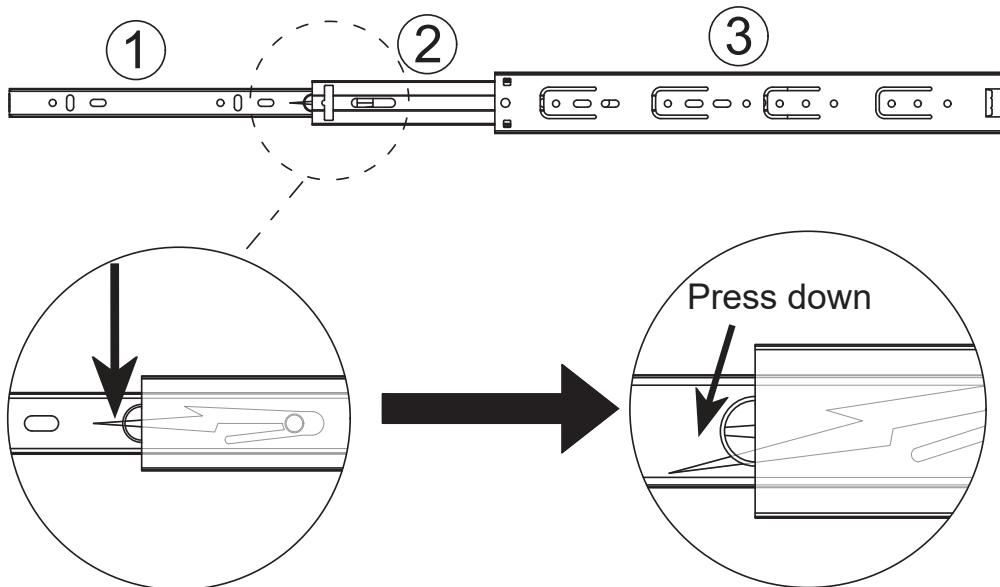


Drawer rail breakdown diagram



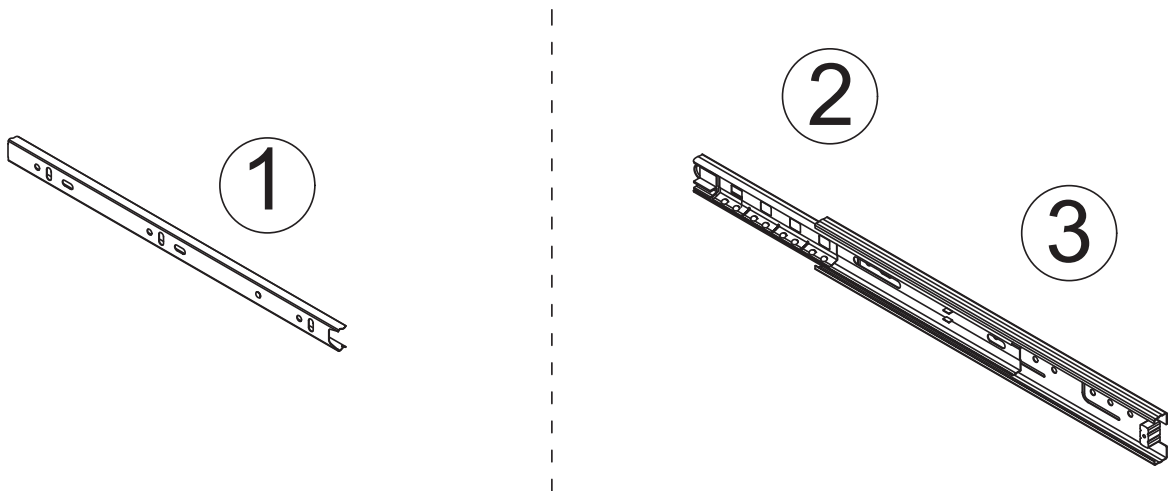
① Dismantle the schematic diagram

Step 1 : Pull the rails apart

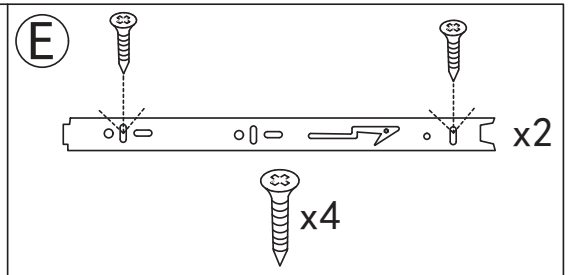
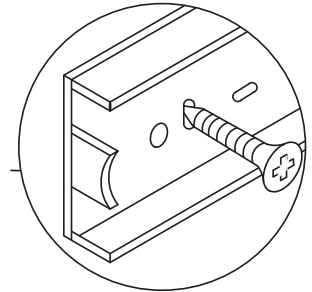
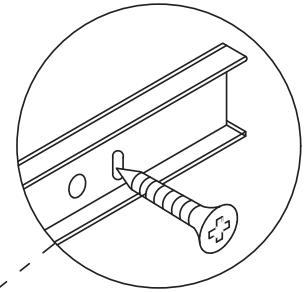
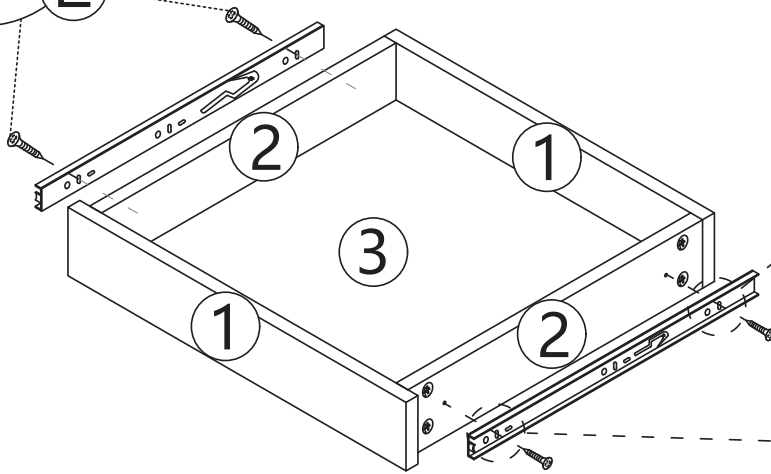
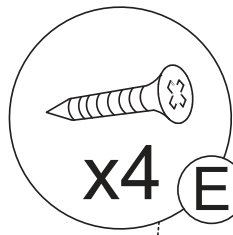


Step 2 : Press the nylon button and pull out ①.

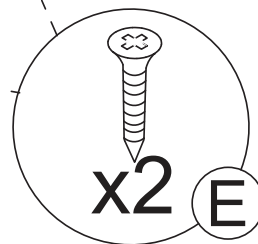
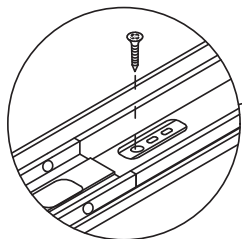
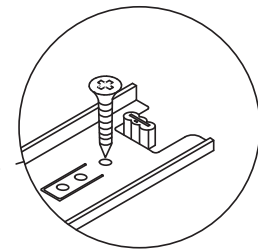
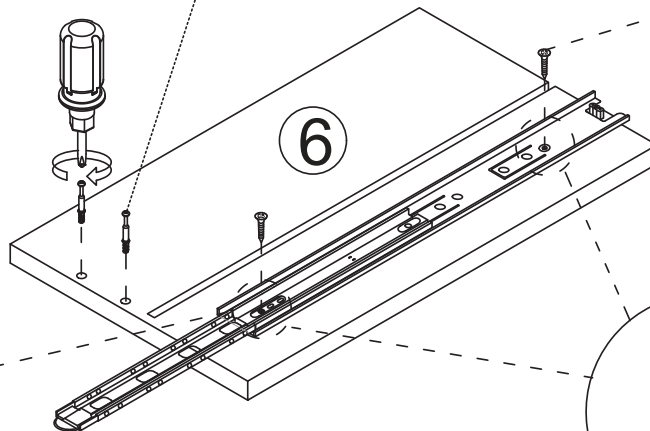
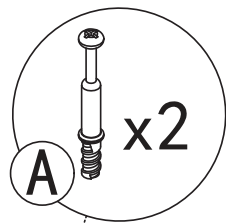
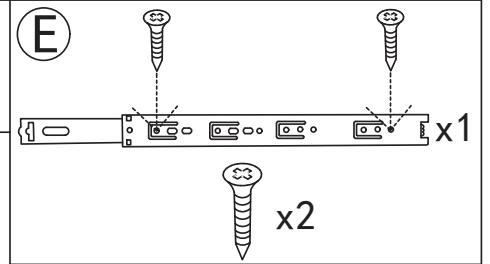
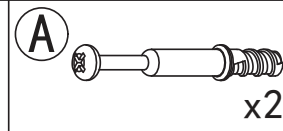
Drawer rail decomposition completed schematic diagram



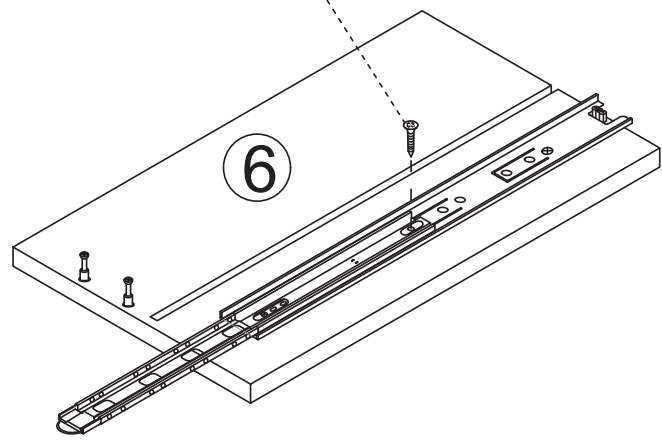
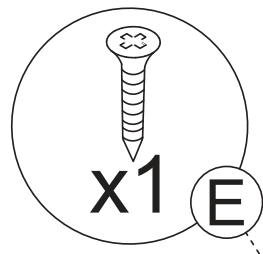
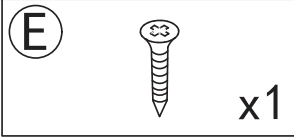
Step 6



Step 7

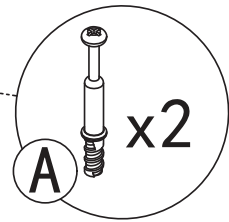
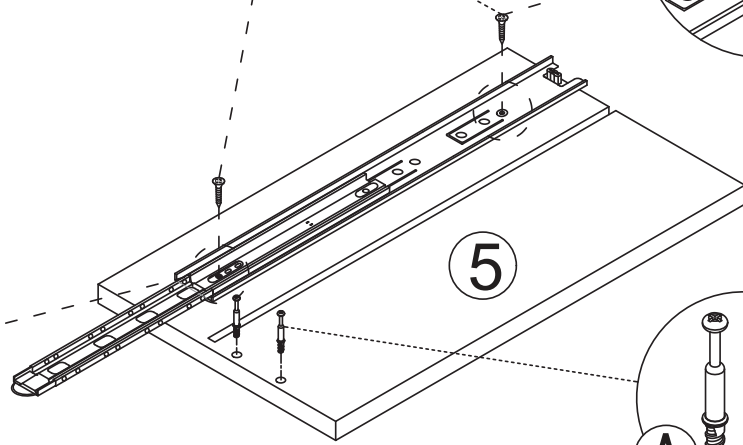
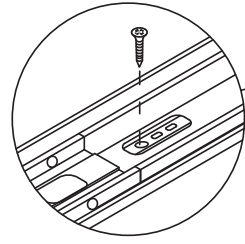
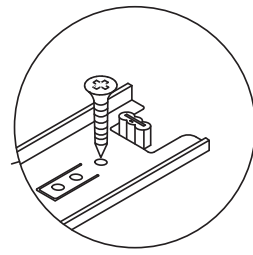
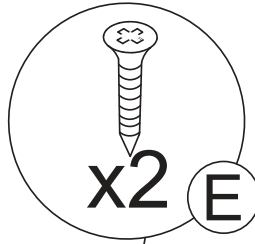
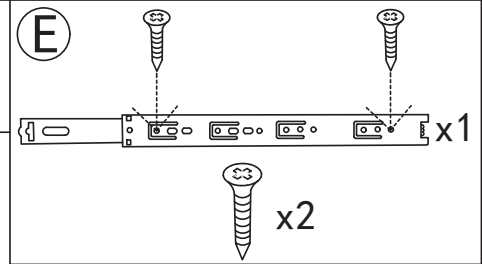
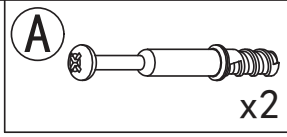


Step 8

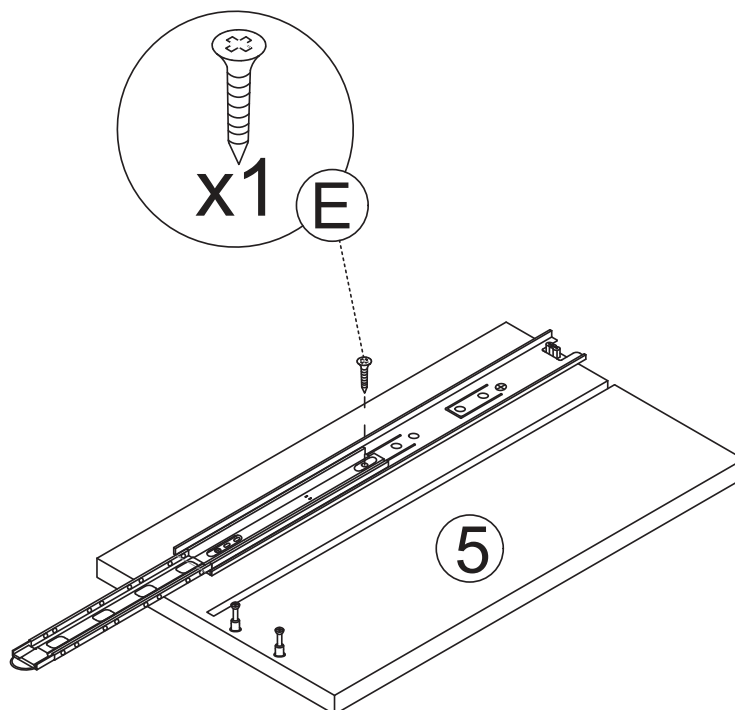
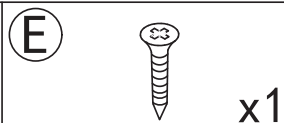


This hole is for strengthening fixed hole customers can choose to install according to their needs.

Step 9

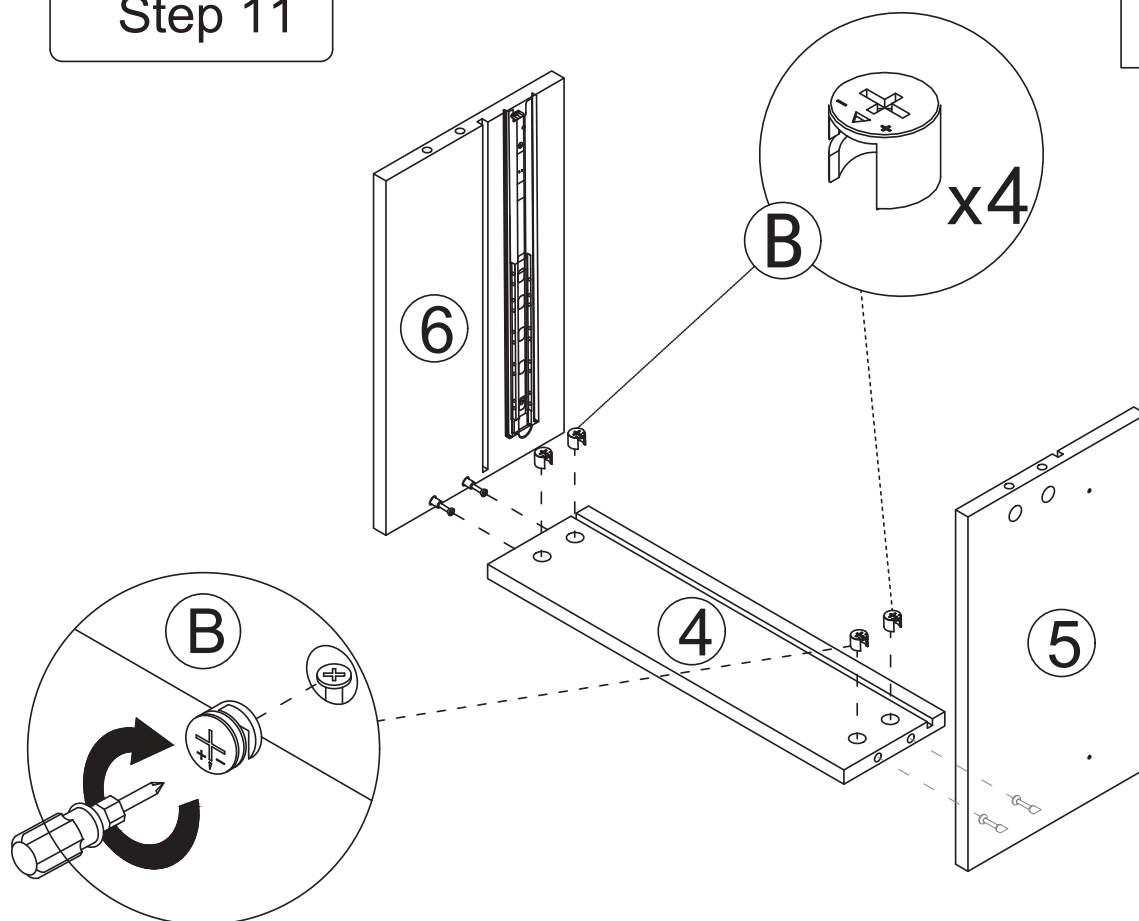


Step 10

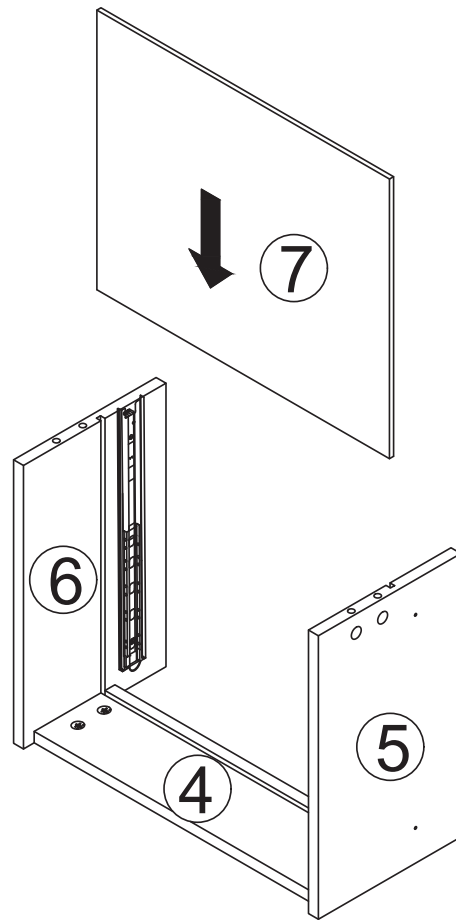


This hole is for strengthening fixed hole customers can choose to install according to their needs.

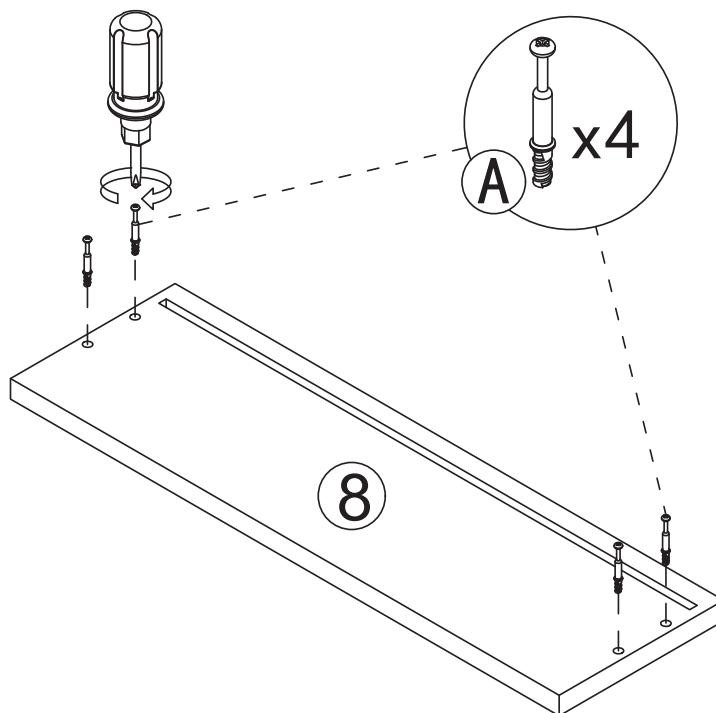
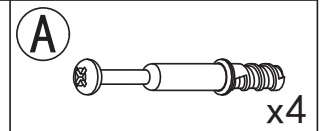
Step 11




Step 12

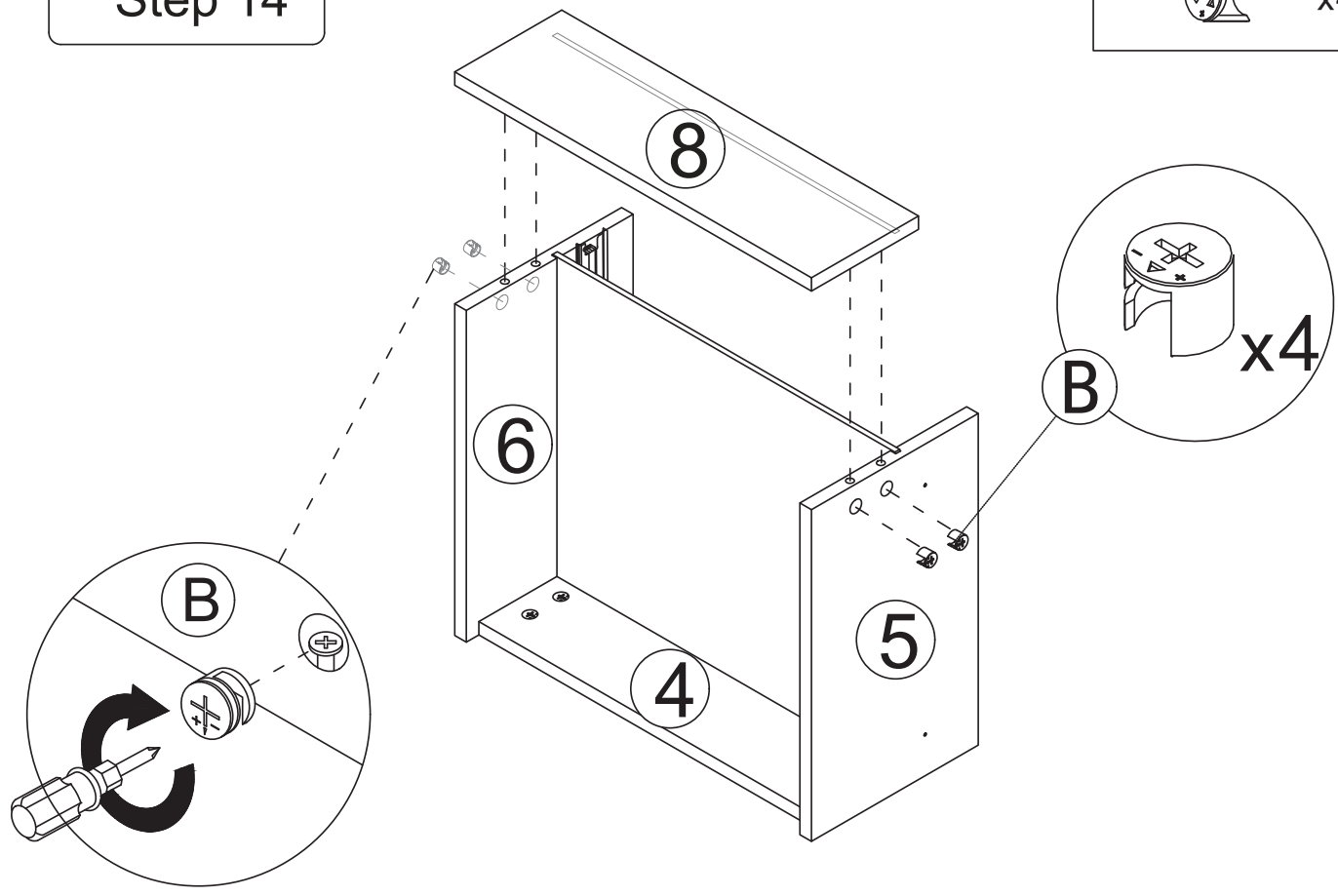


Step 13





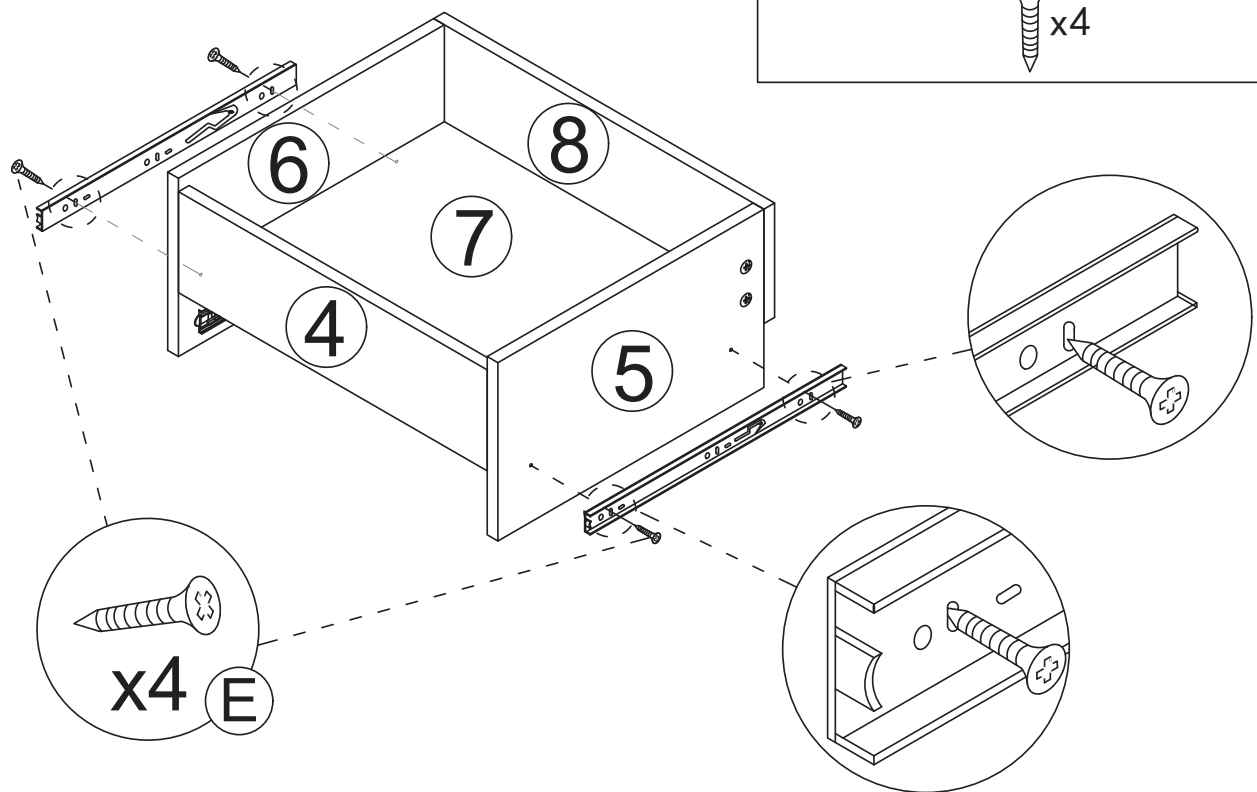
Step 14

B  x4

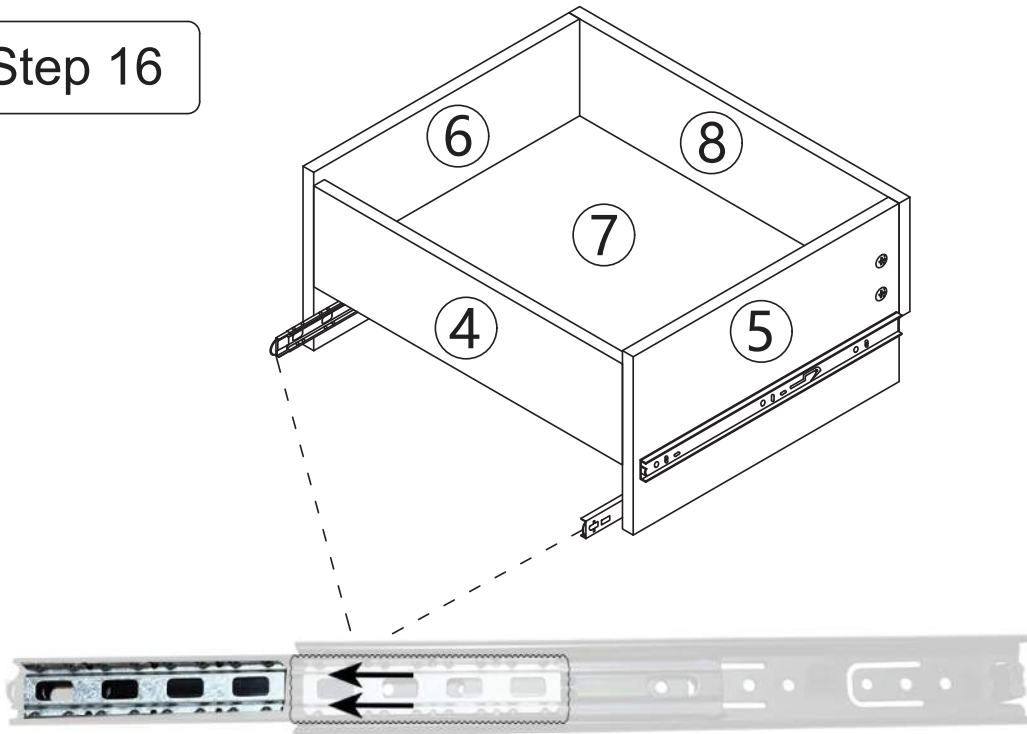


Step 15

E  x2
 x4

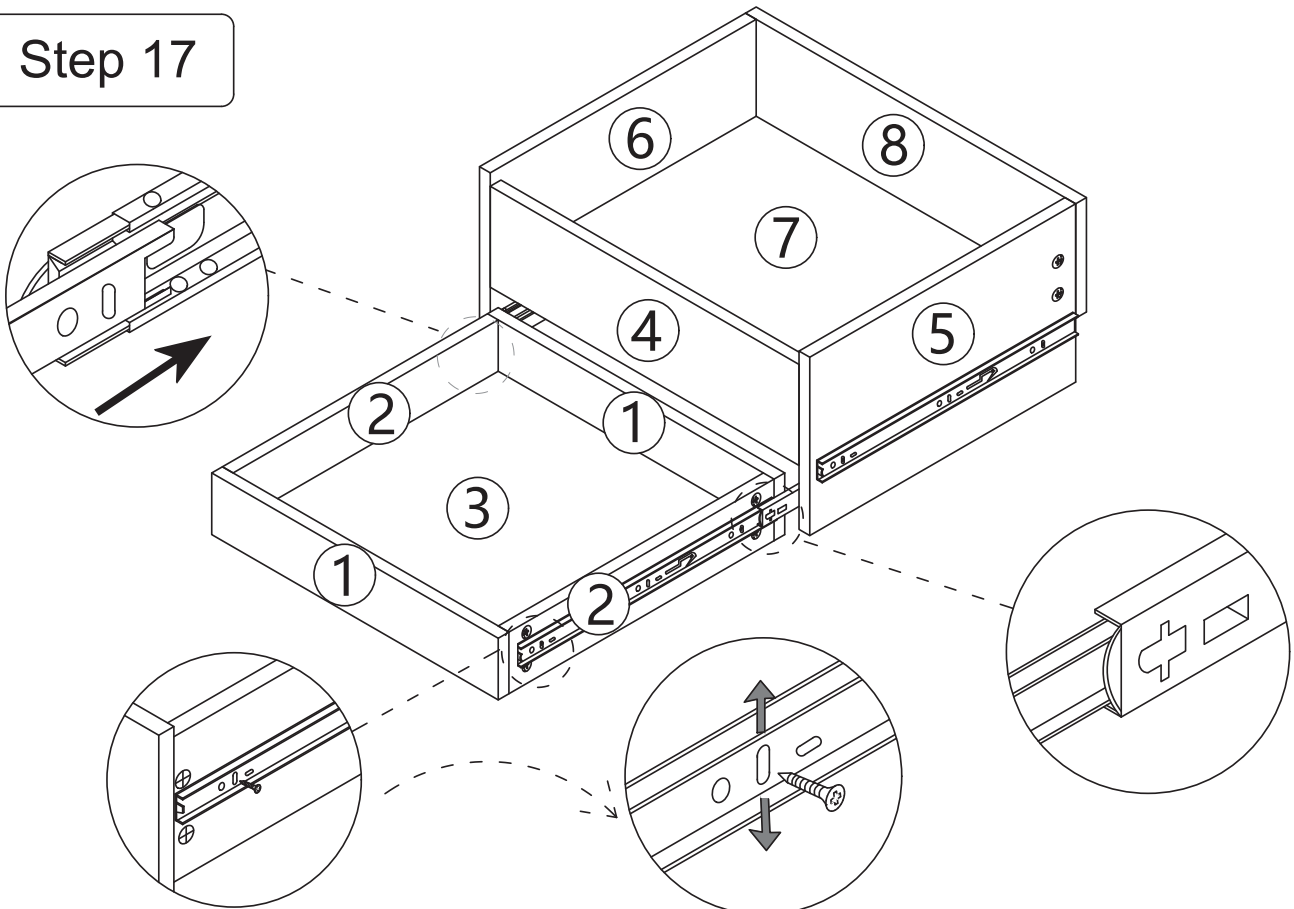


Step 16



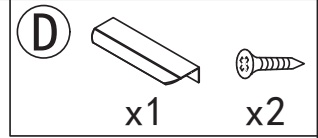
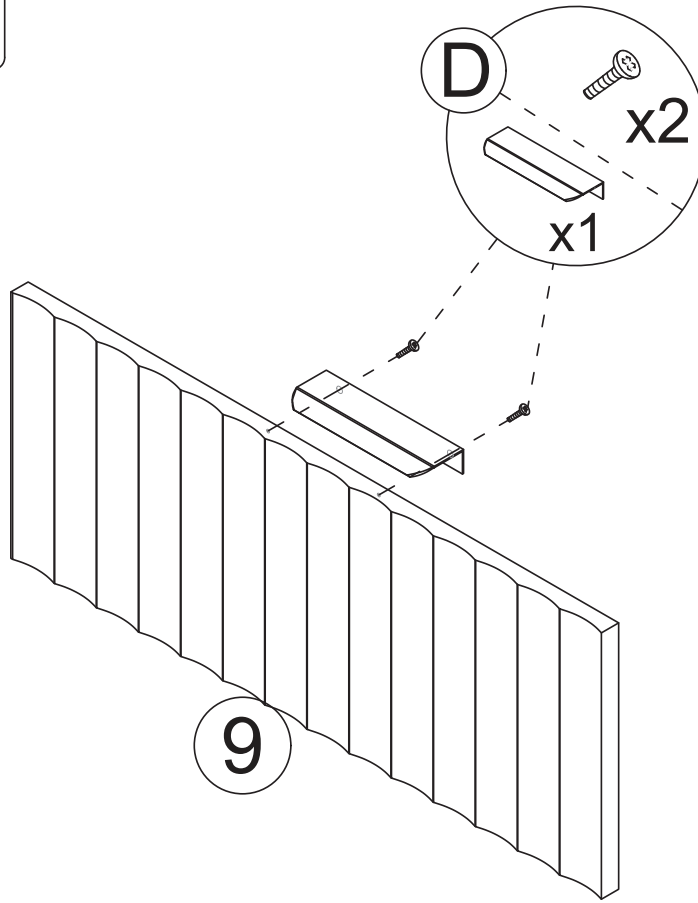
As shown, When installing the drawer, pull the guide rail out first, Slide beads are also pulled out.

Step 17

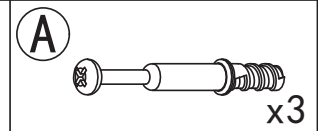
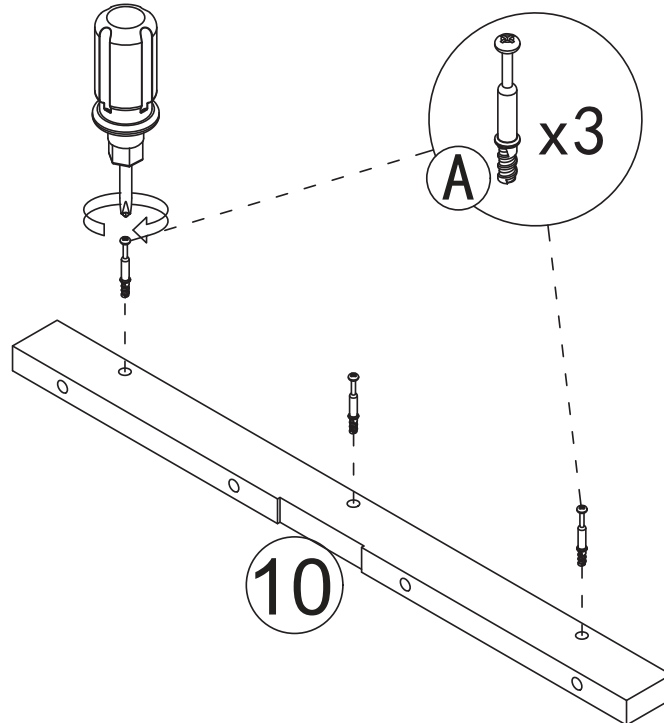


If a large gap is found after installing the drawer the slide rail can be moved up and down to adjust the gap


Step 18

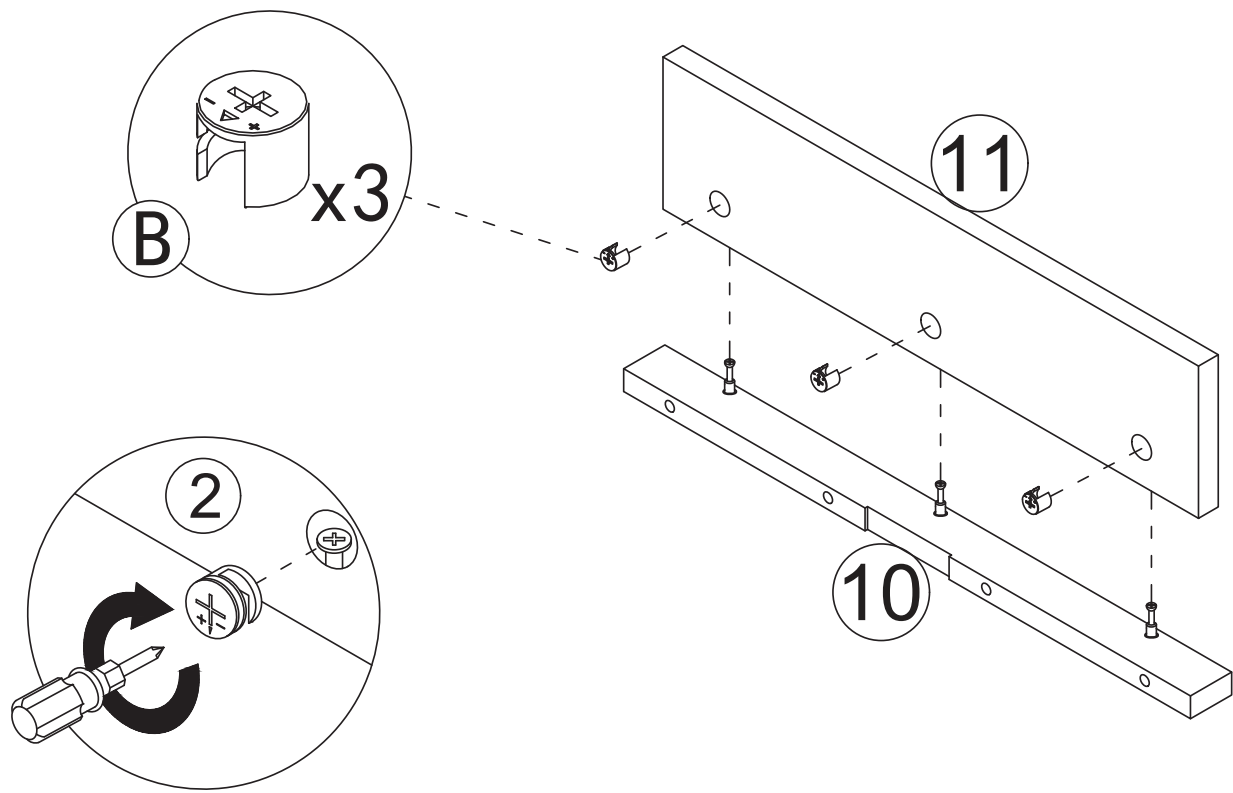


Step 19




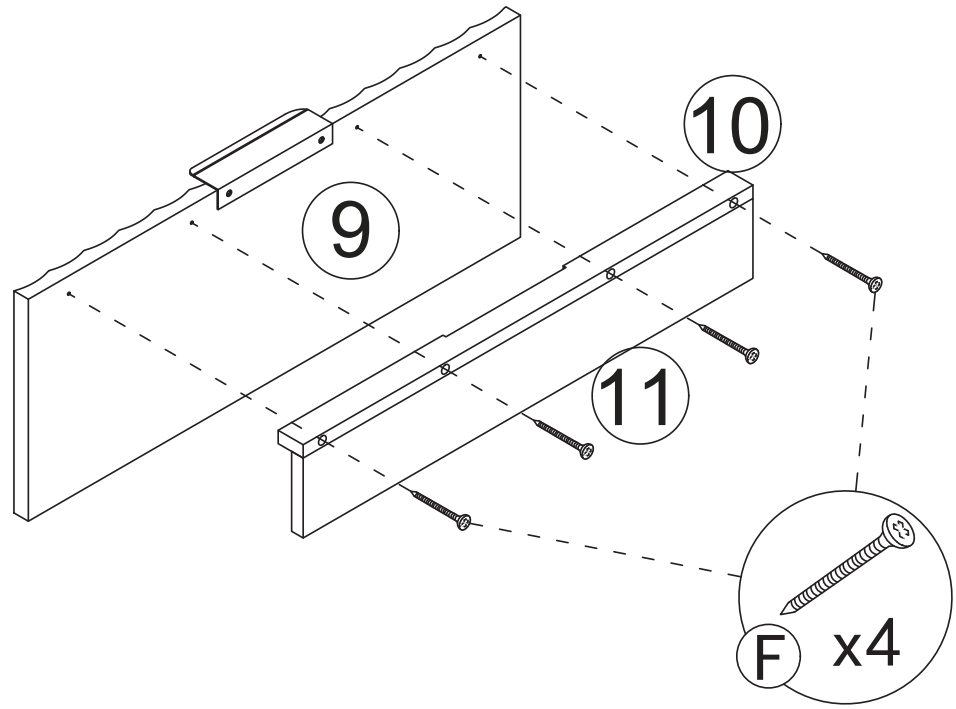
Step 20

B  x3

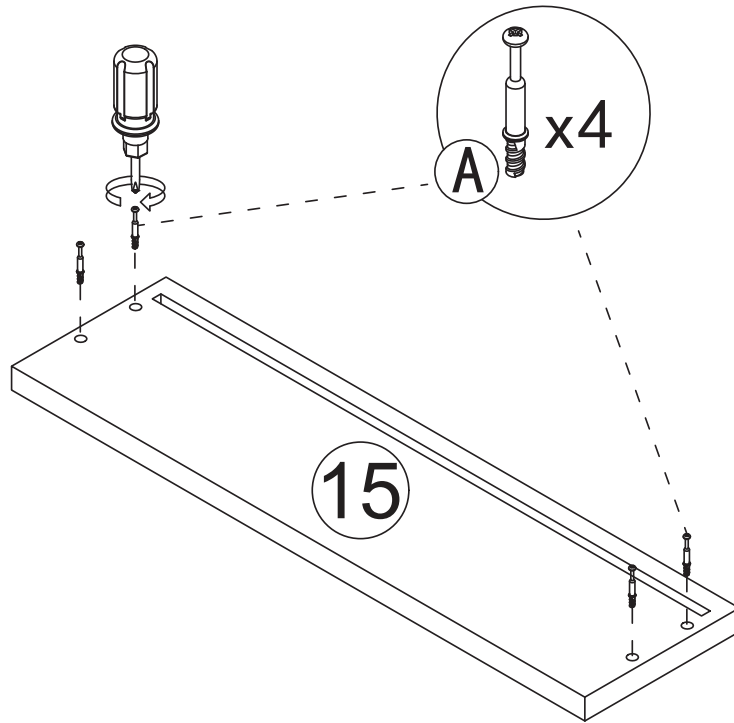
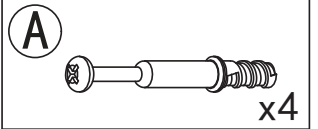


Step 21

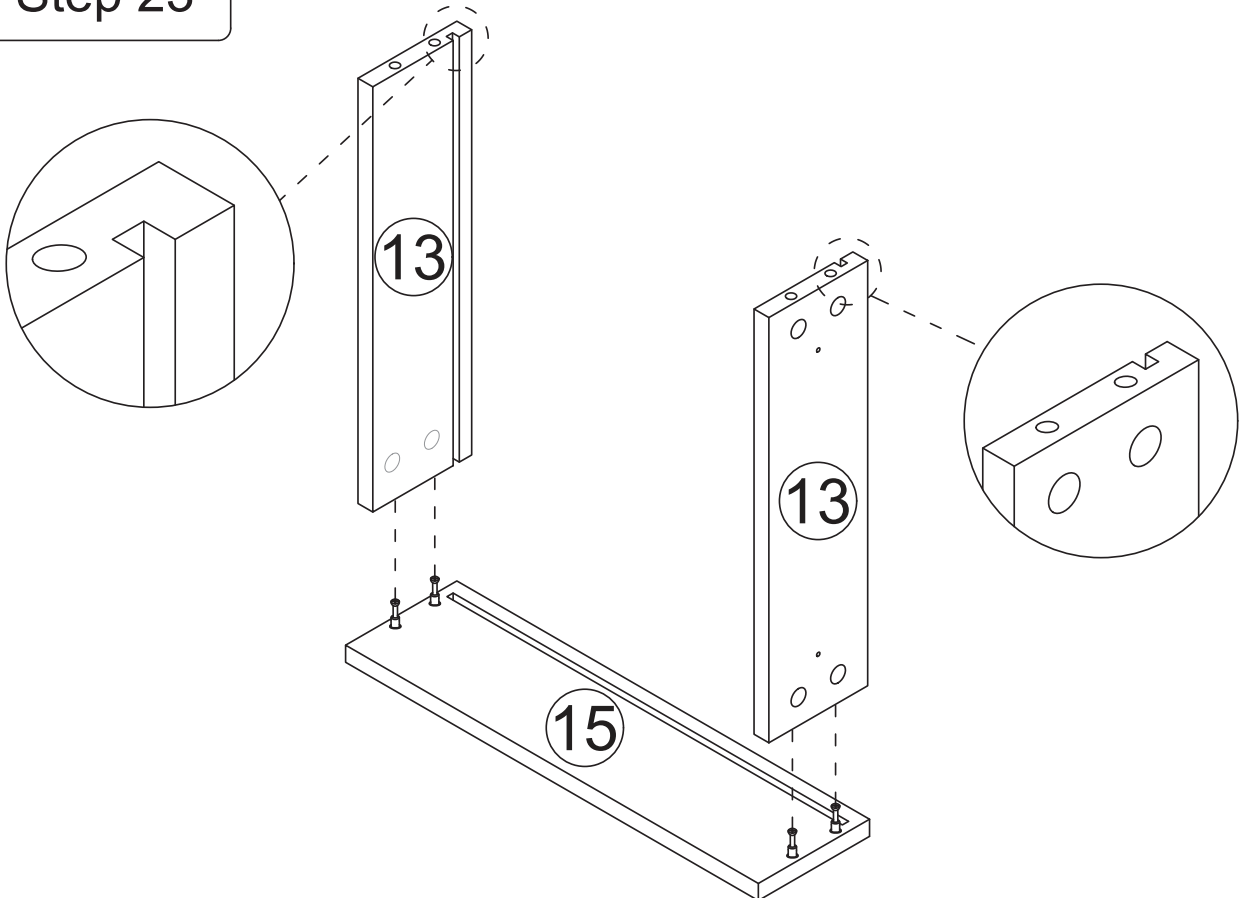
F  x4



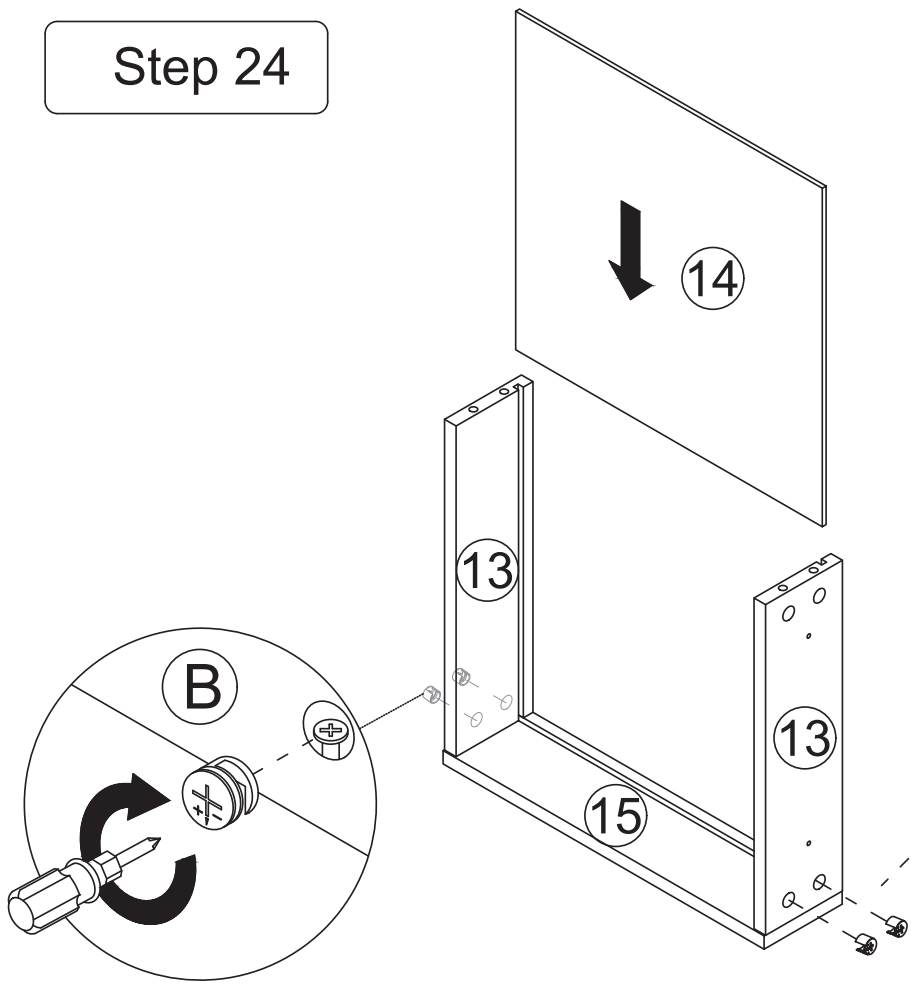
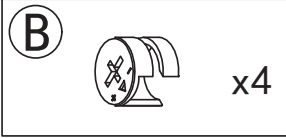
Step 22



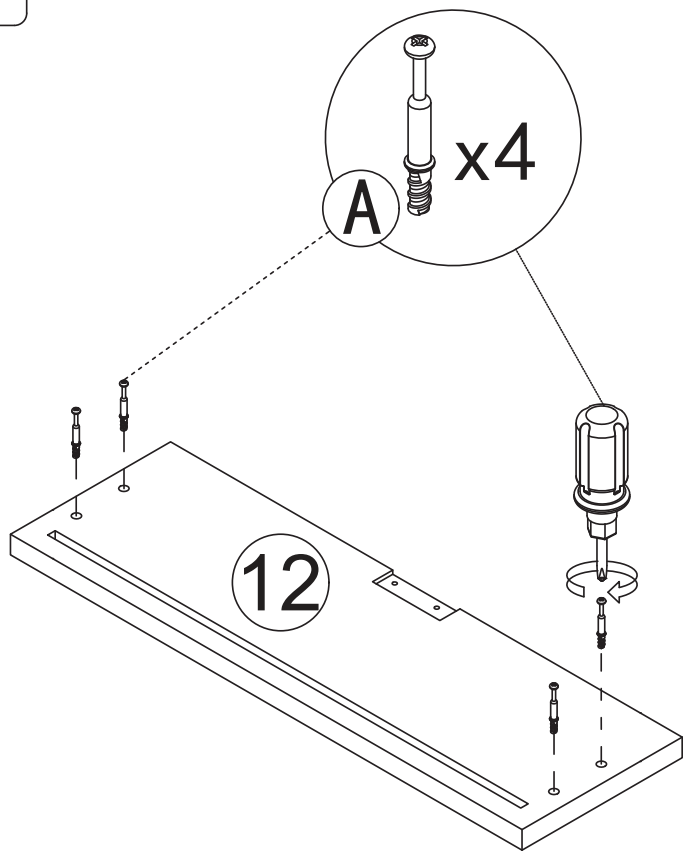
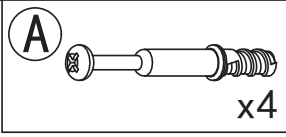
Step 23



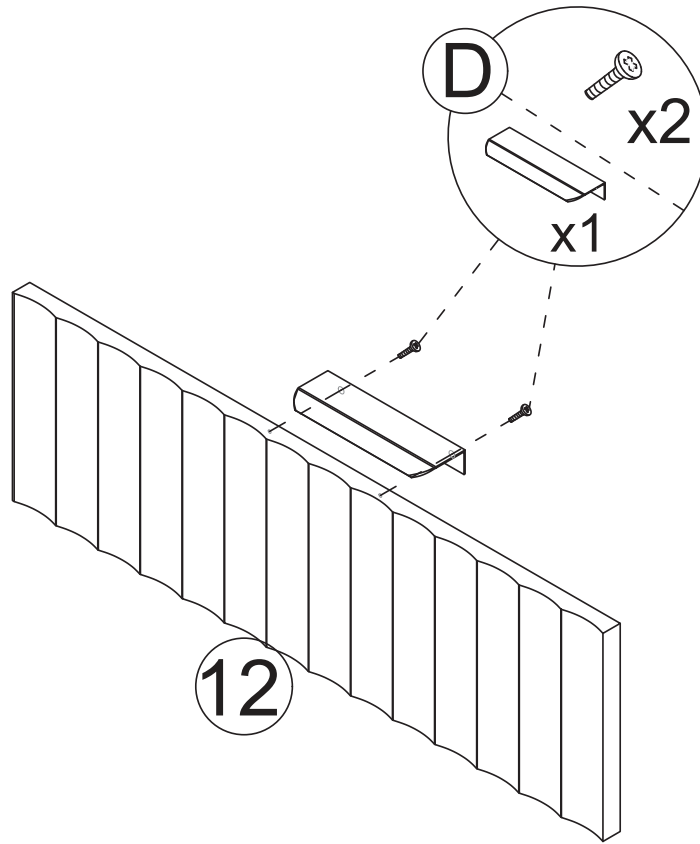
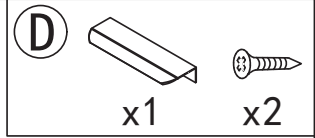
Step 24



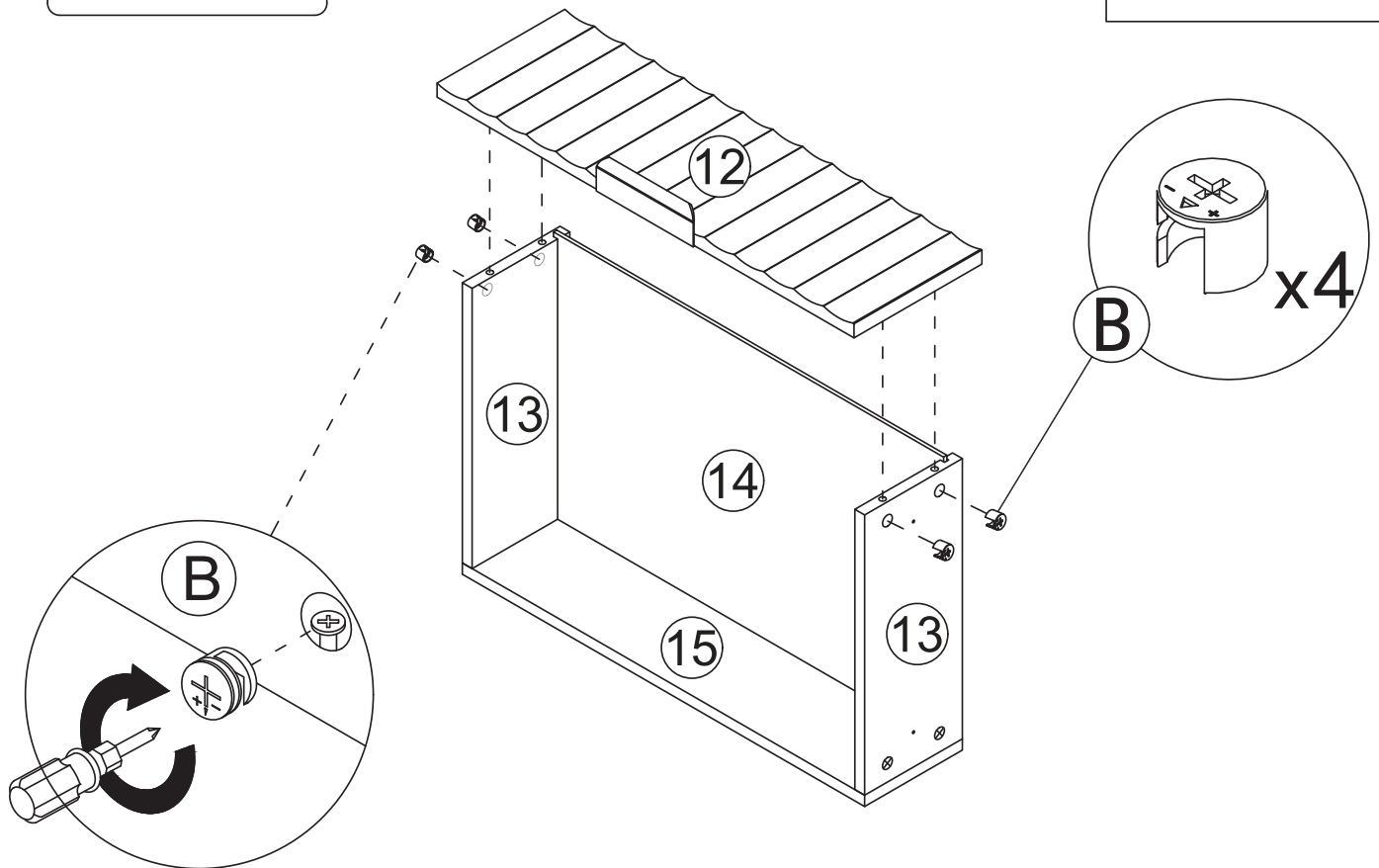
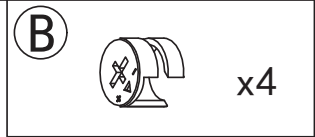
Step 25



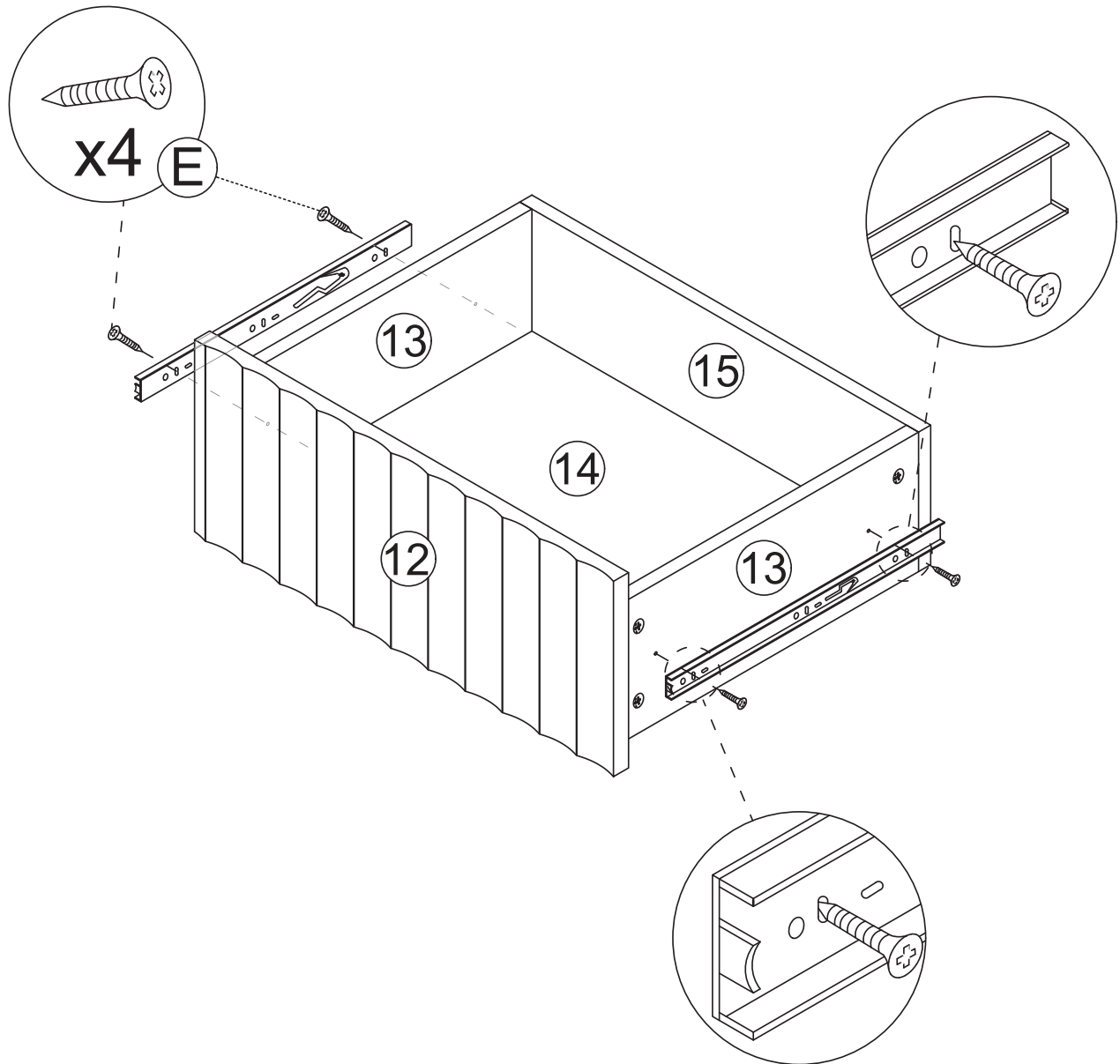
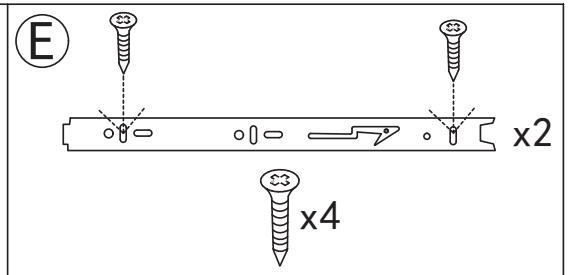
Step 26

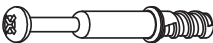

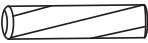



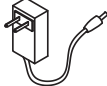


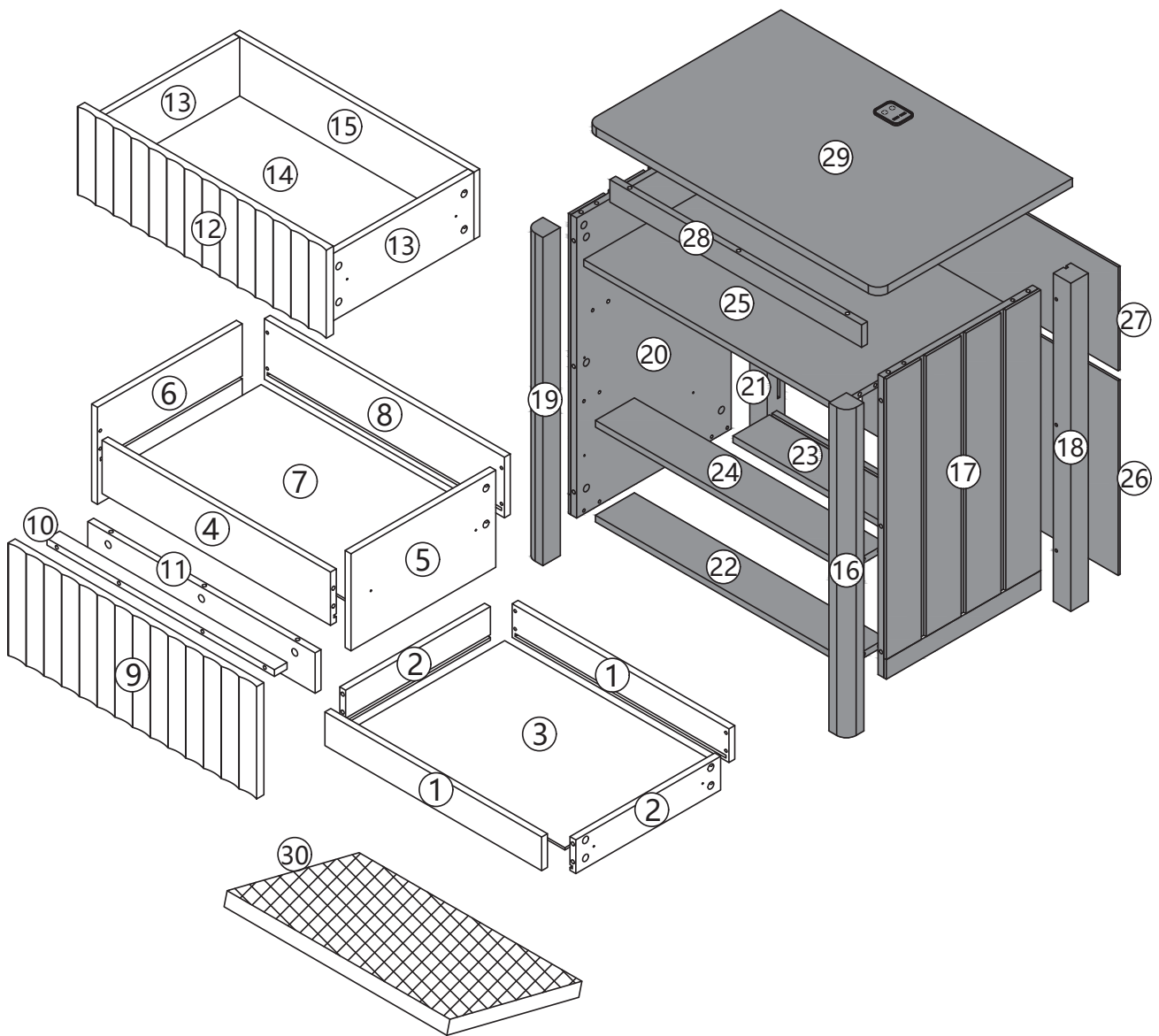
Step 27



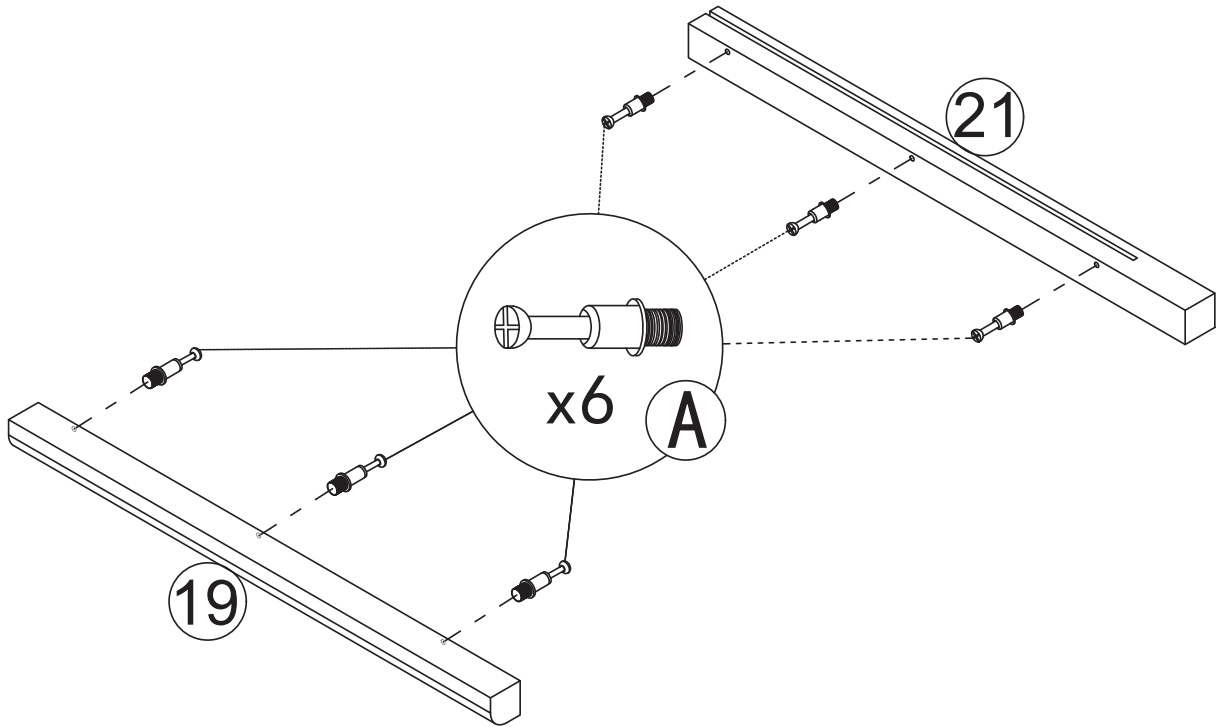
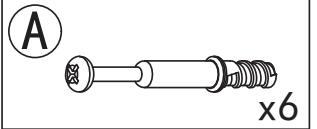
Step 28



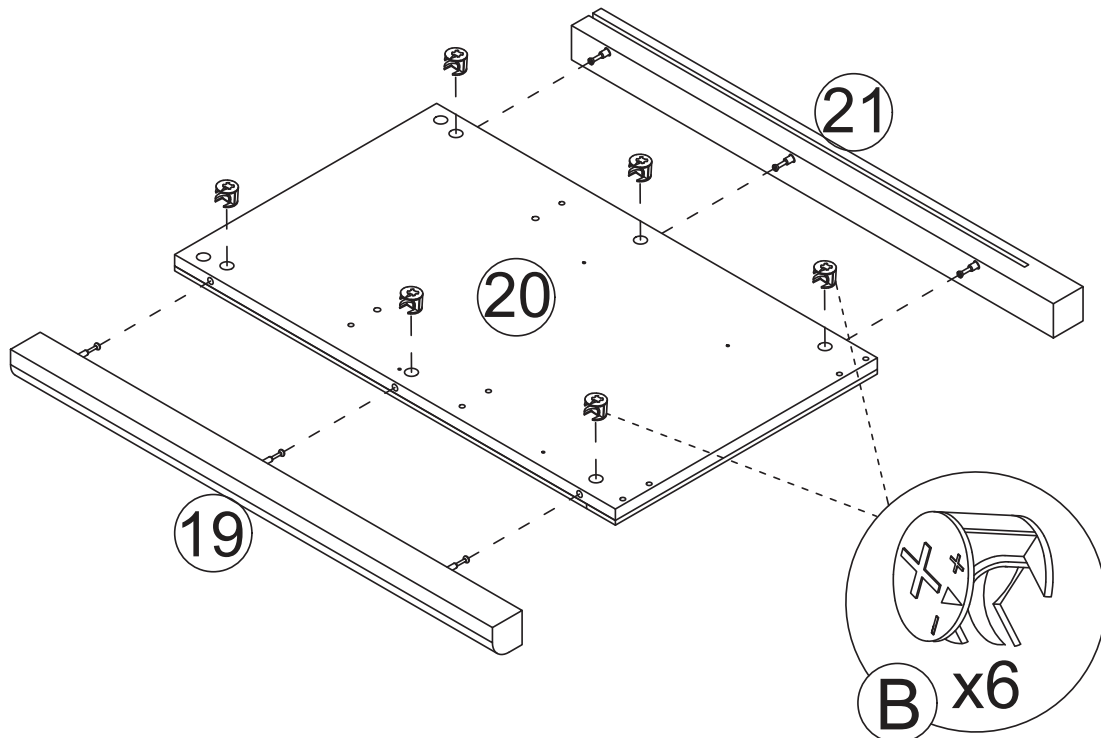
A		35pcs	B		35pcs	C		8pcs	
E		x4	G		4pcs	H		x6	
		1pcs							



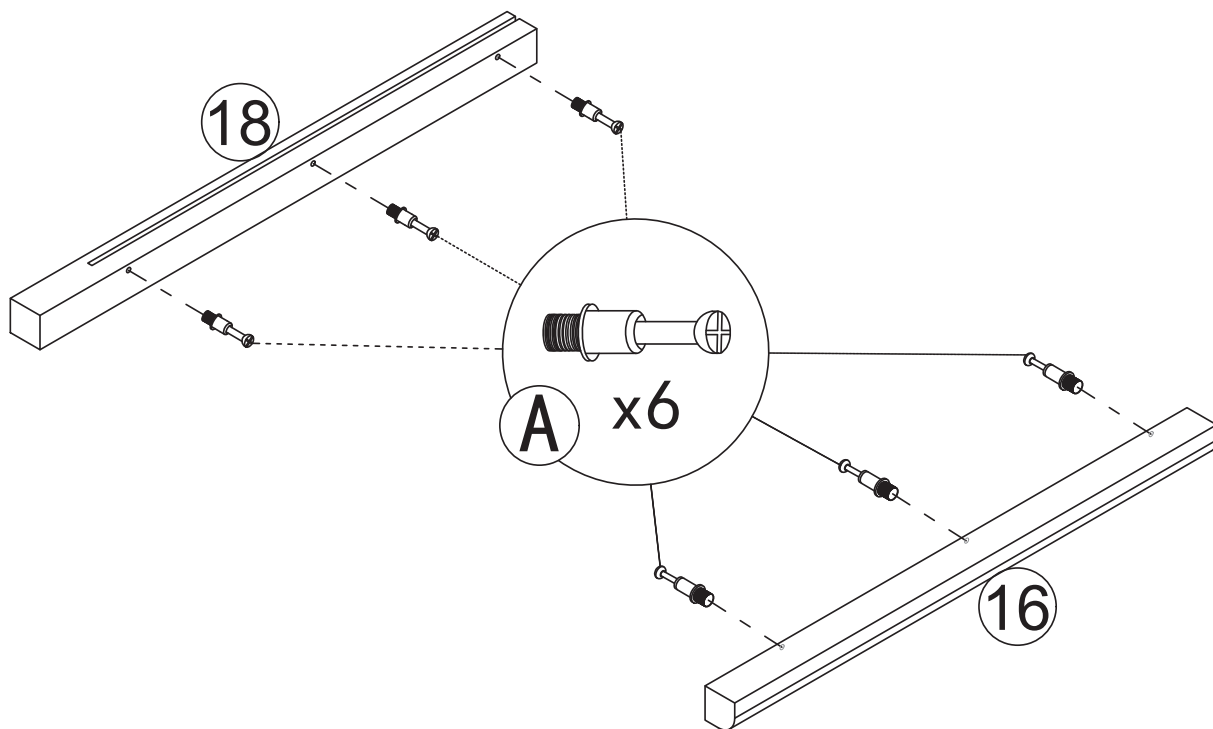
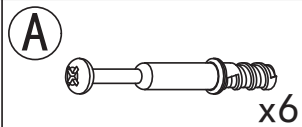
Step 29



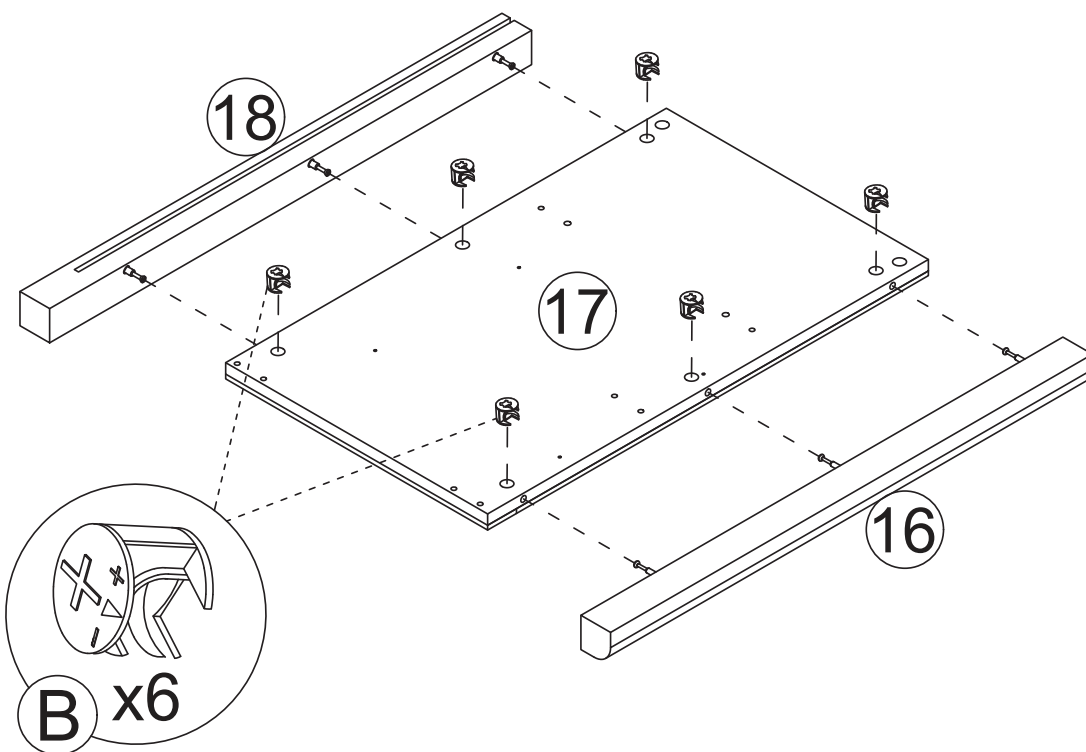
Step 30



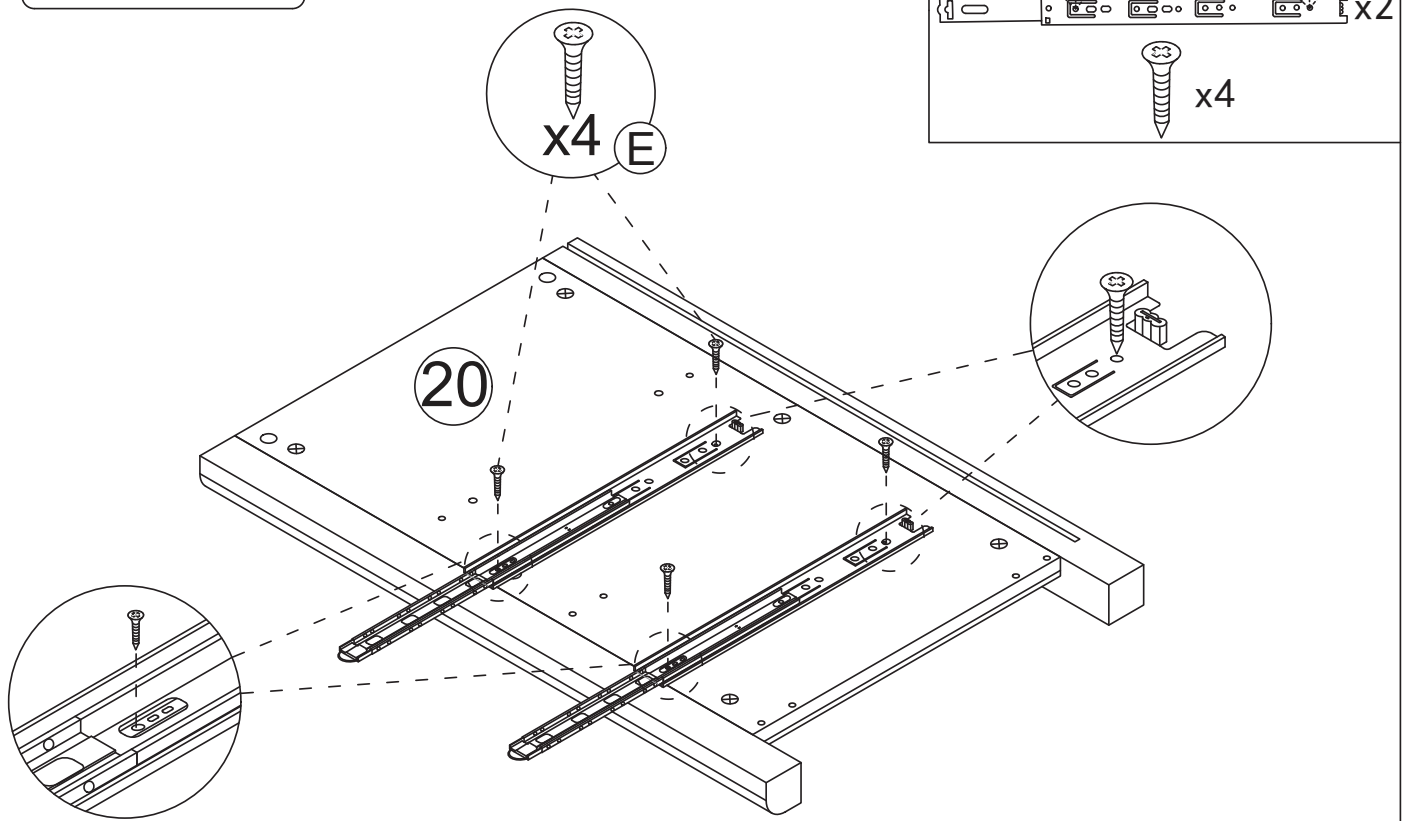
Step 31



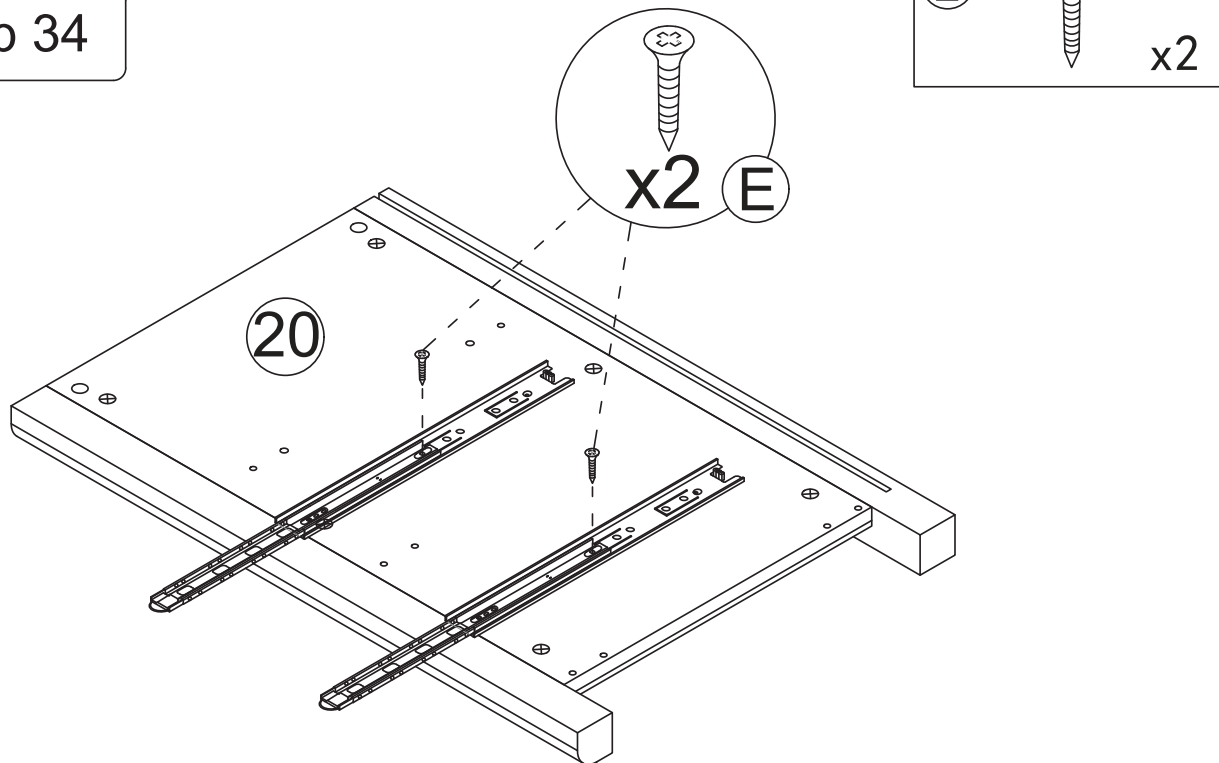
Step 32



Step 33

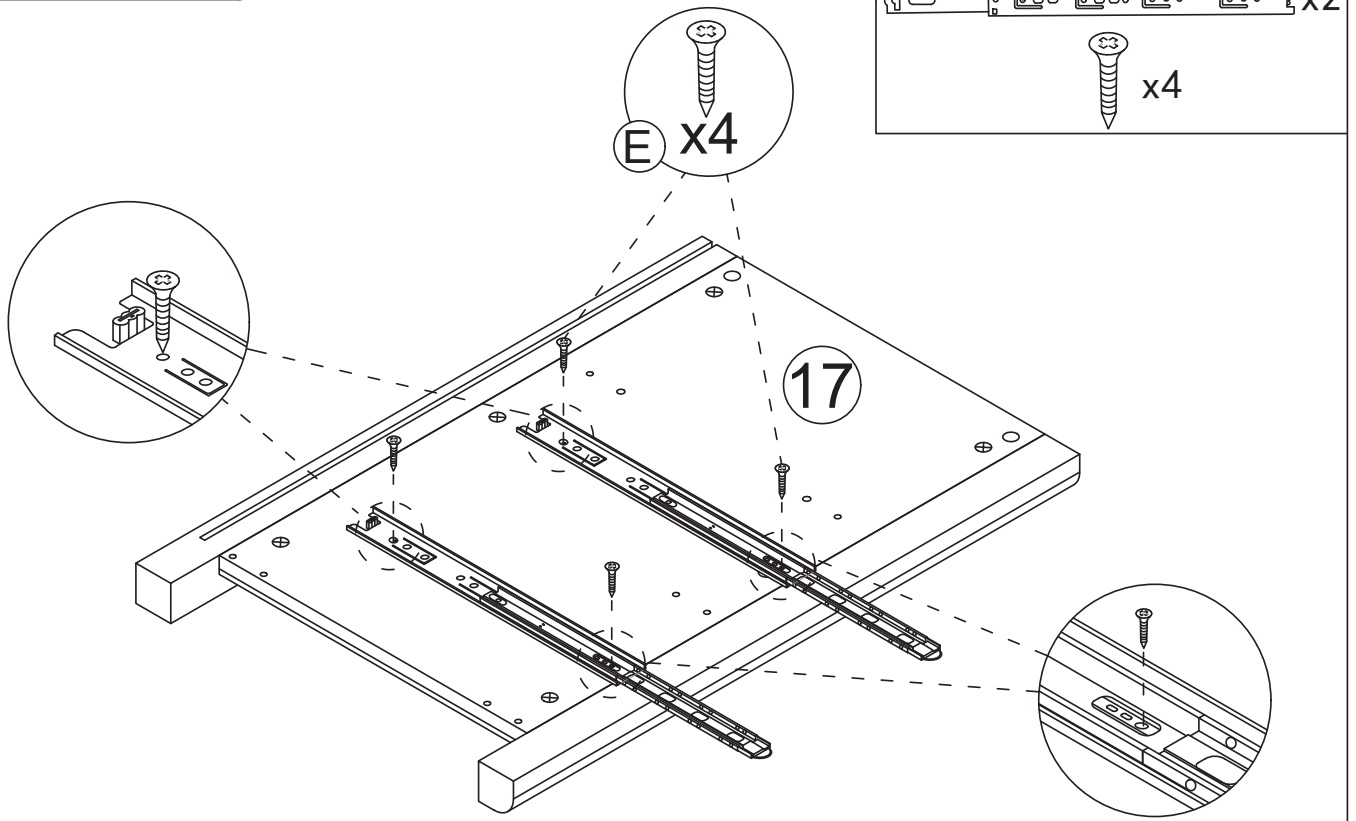


Step 34

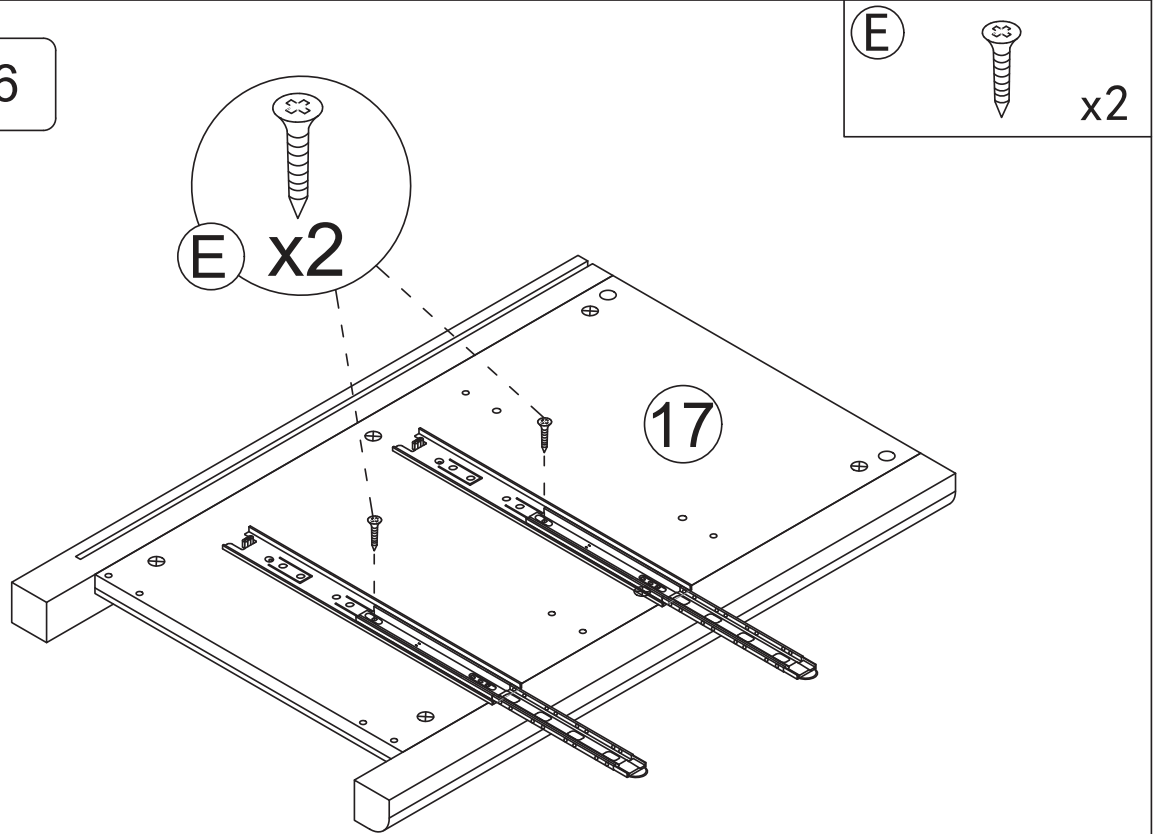


This hole is for strengthening fixed hole customers can choose to install according to their needs.

Step 35

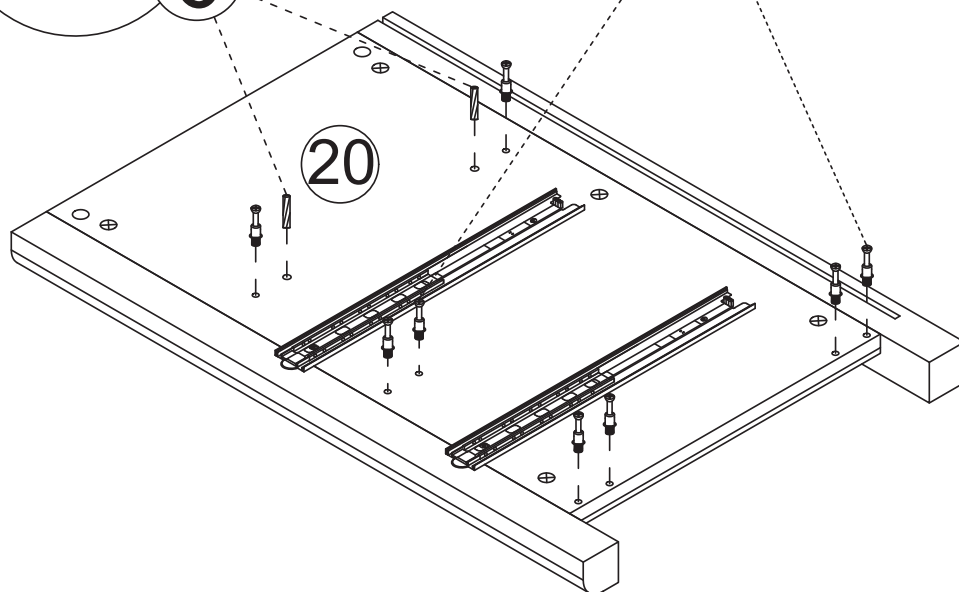
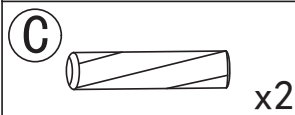
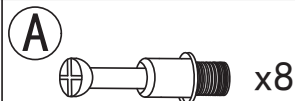
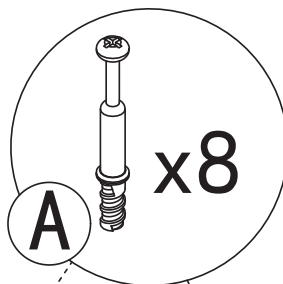
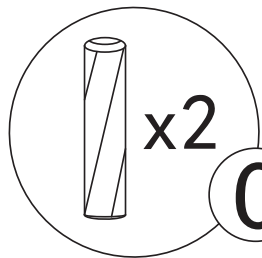


Step 36

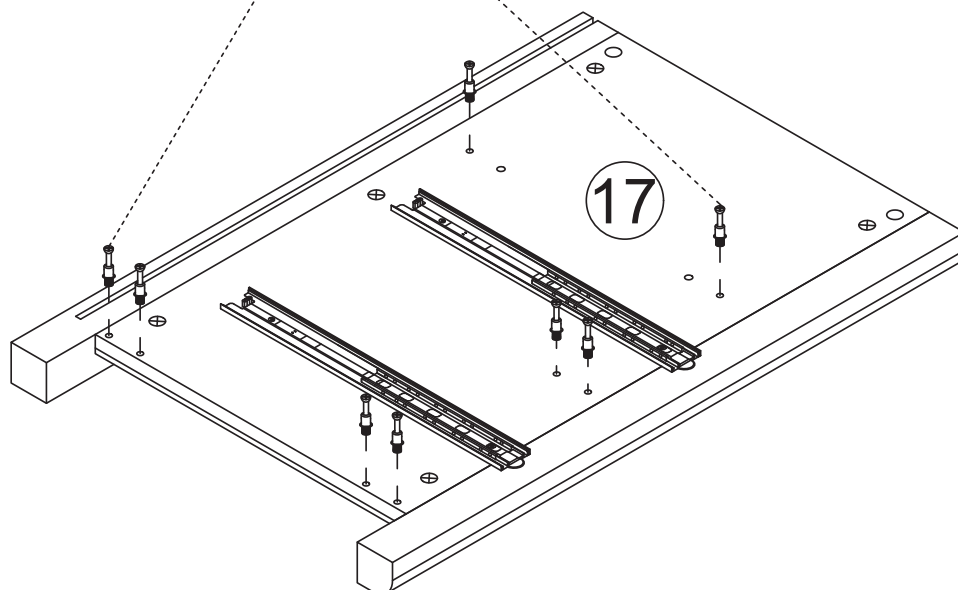
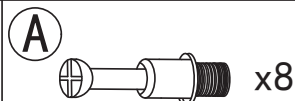
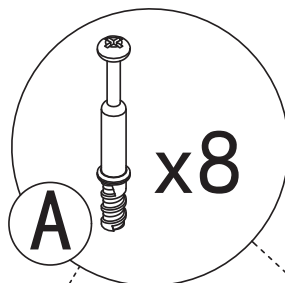


This hole is for strengthening fixed hole customers can choose to install according to their needs.


Step 37

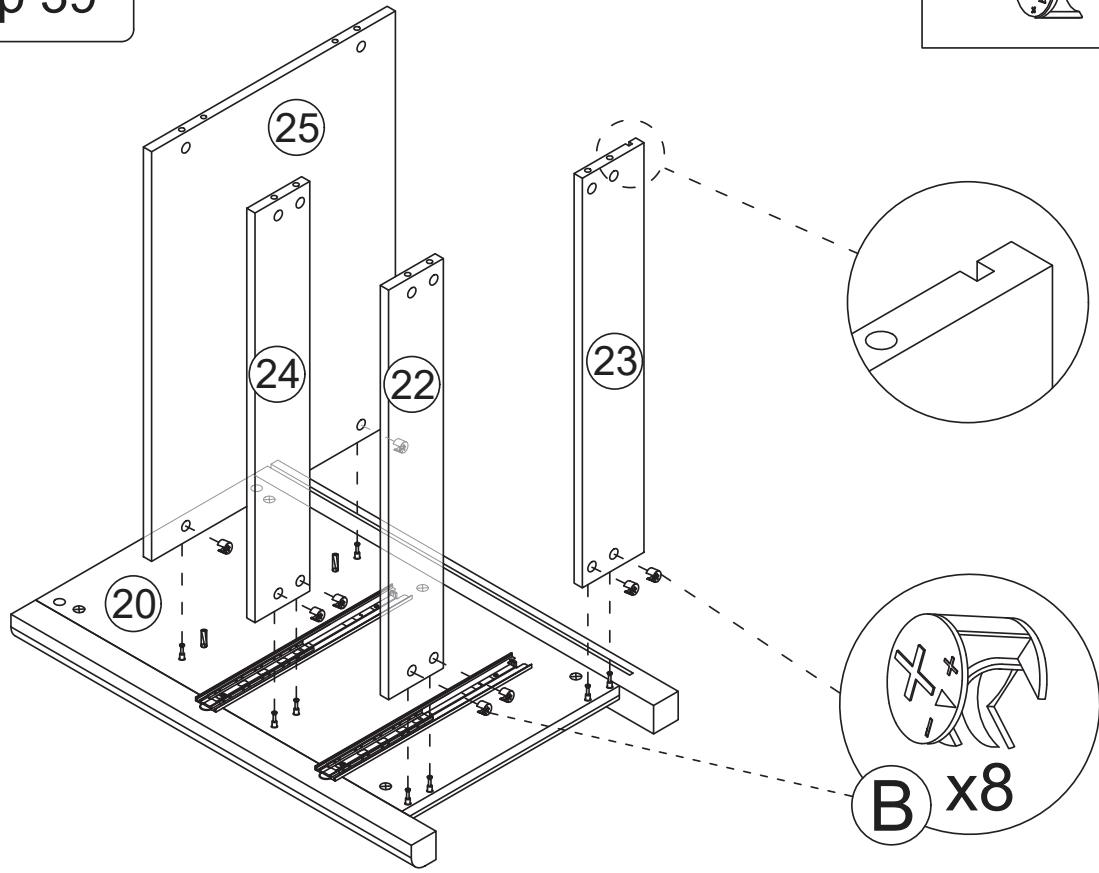


Step 38

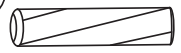


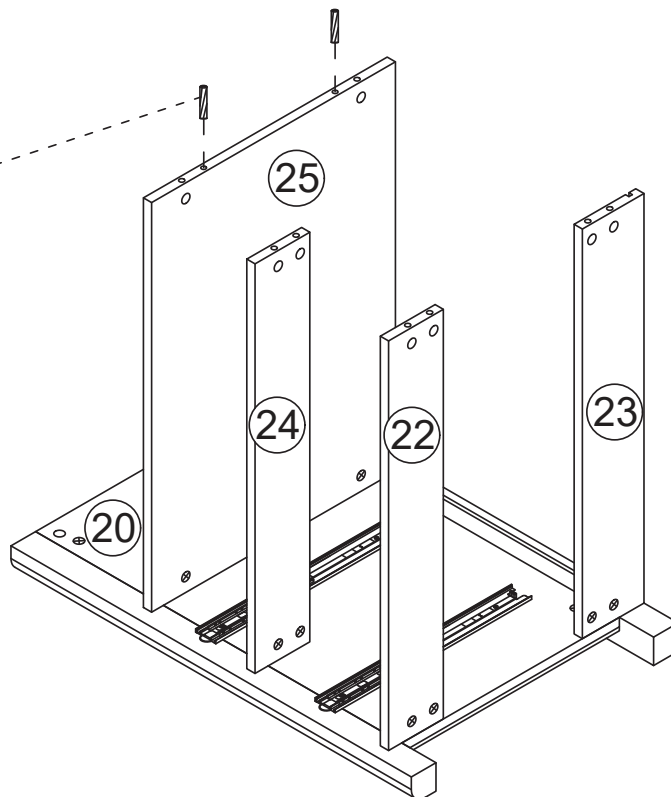
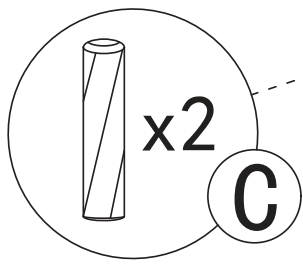
Step 39

B  x8




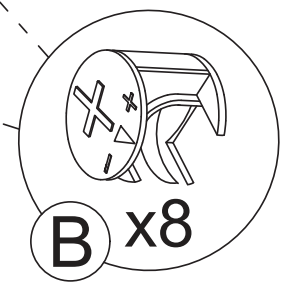
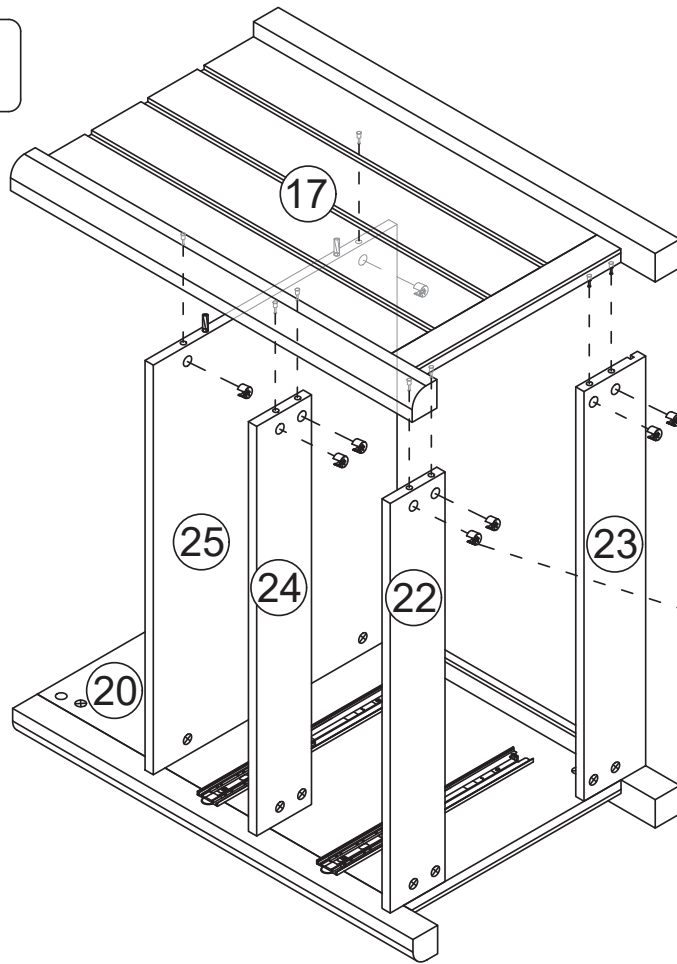
Step 40

C  x2



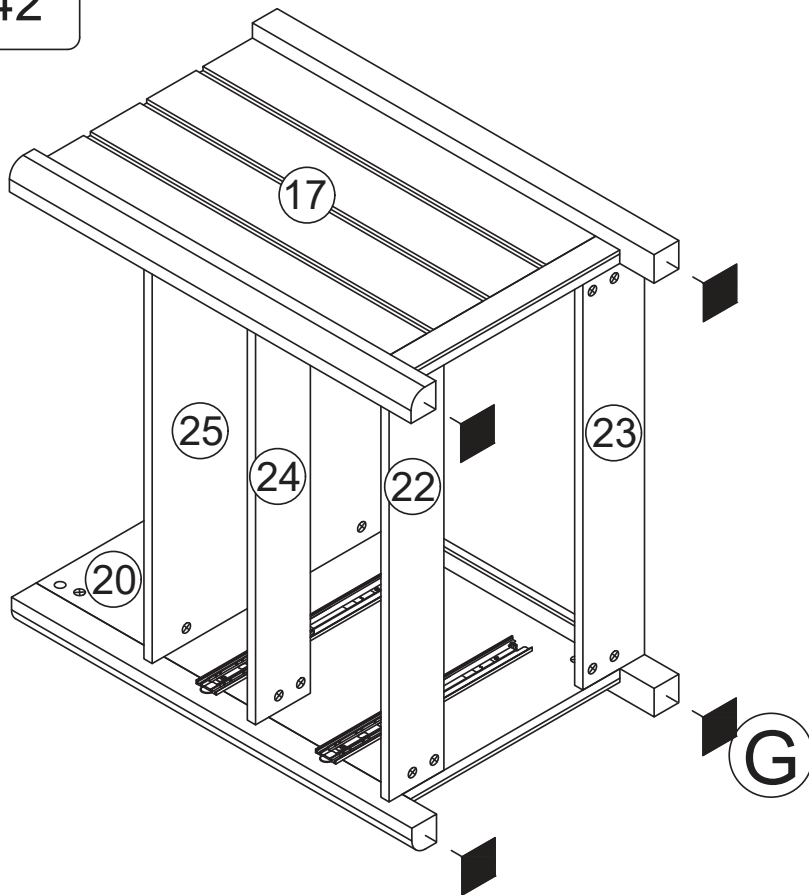
Step 41

B  x8

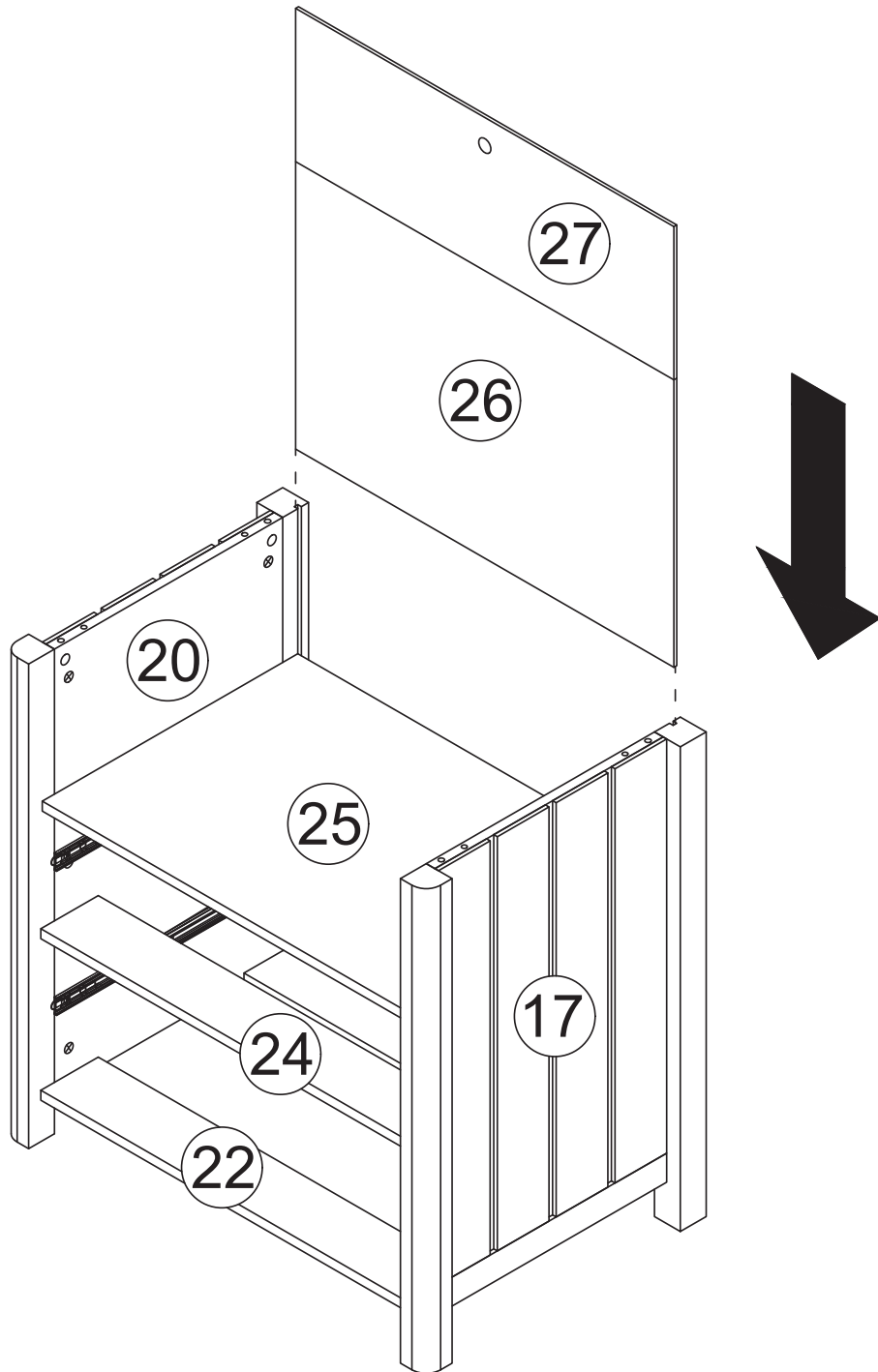


Step 42

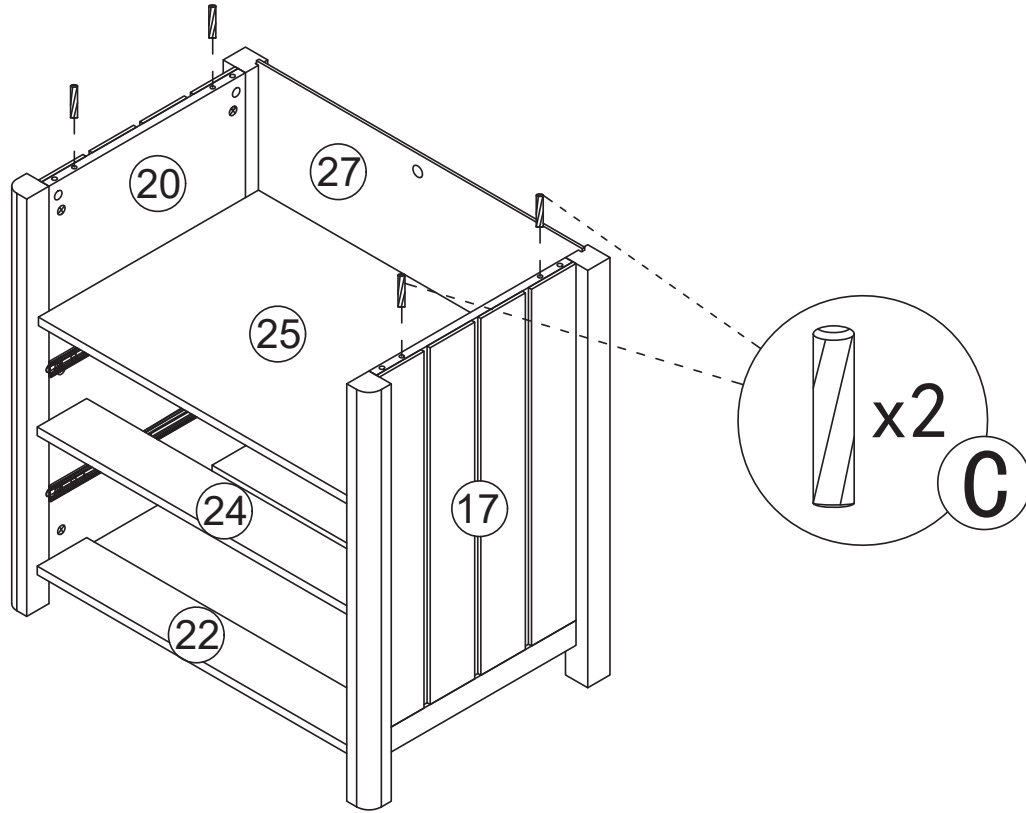
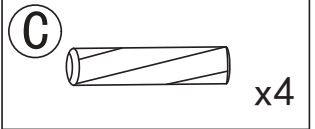
G  x4



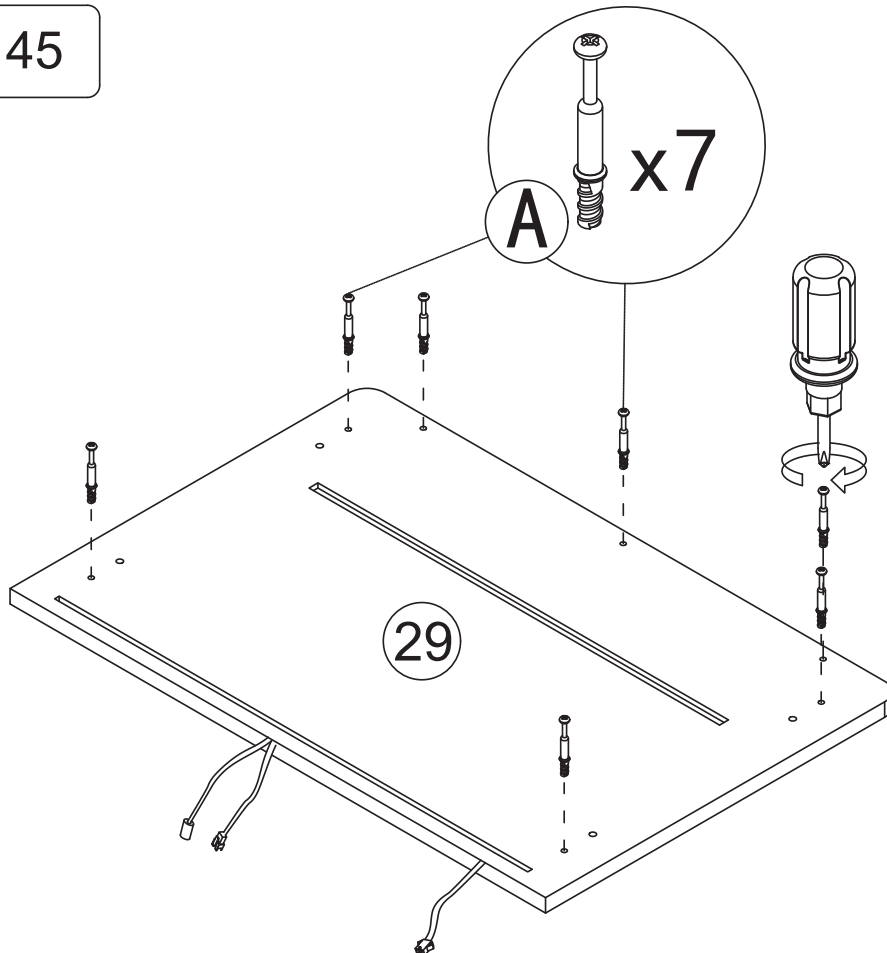
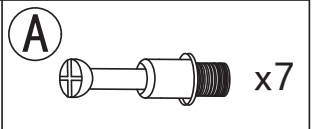
Step 43




Step 44




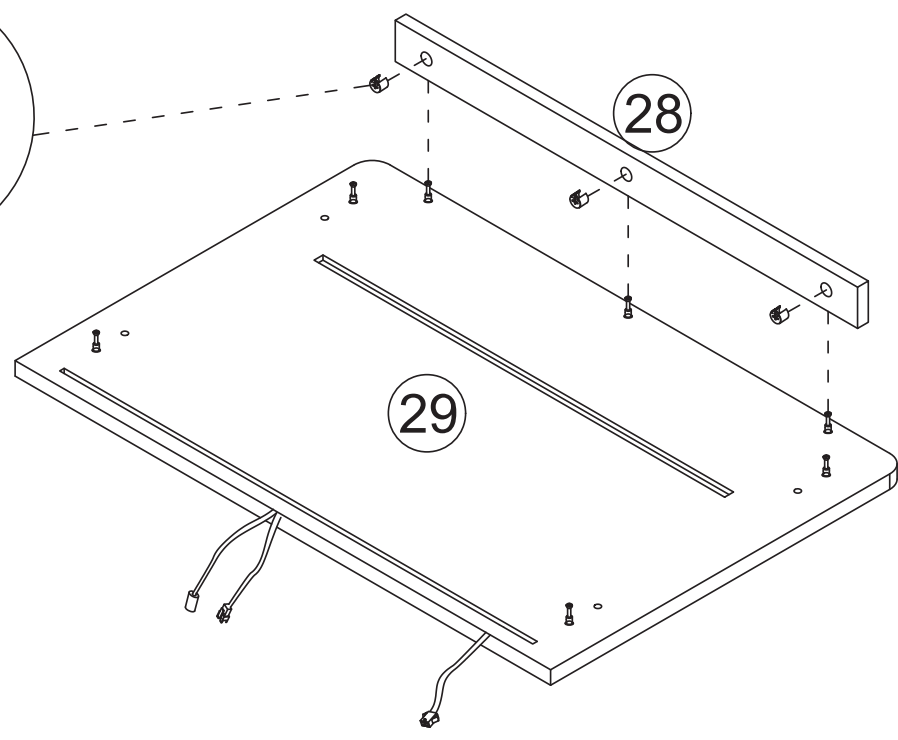
Step 45




Step 46


B  x3

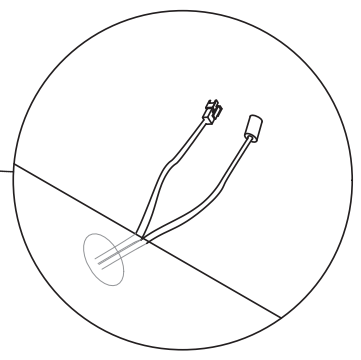
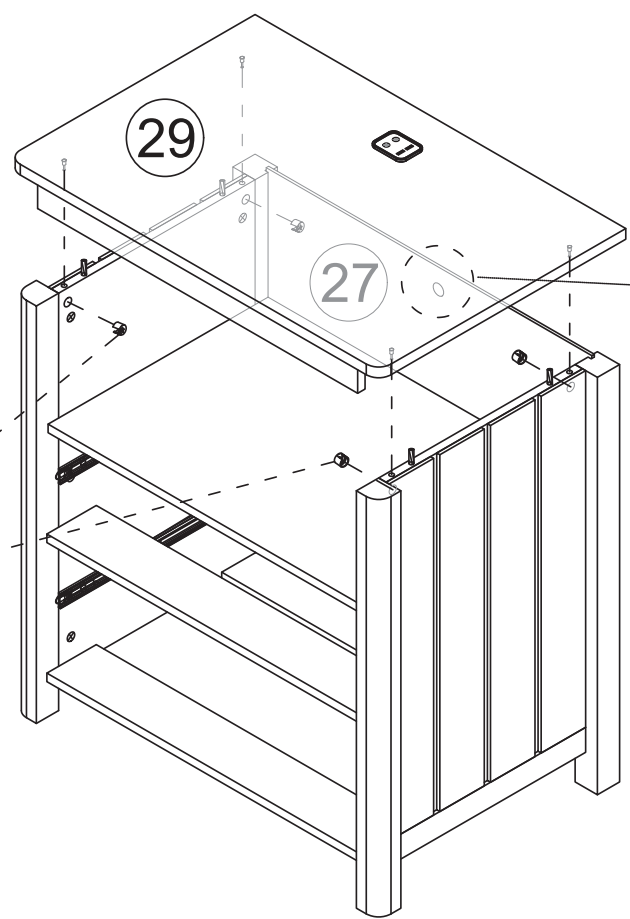
B x3 



Step 47

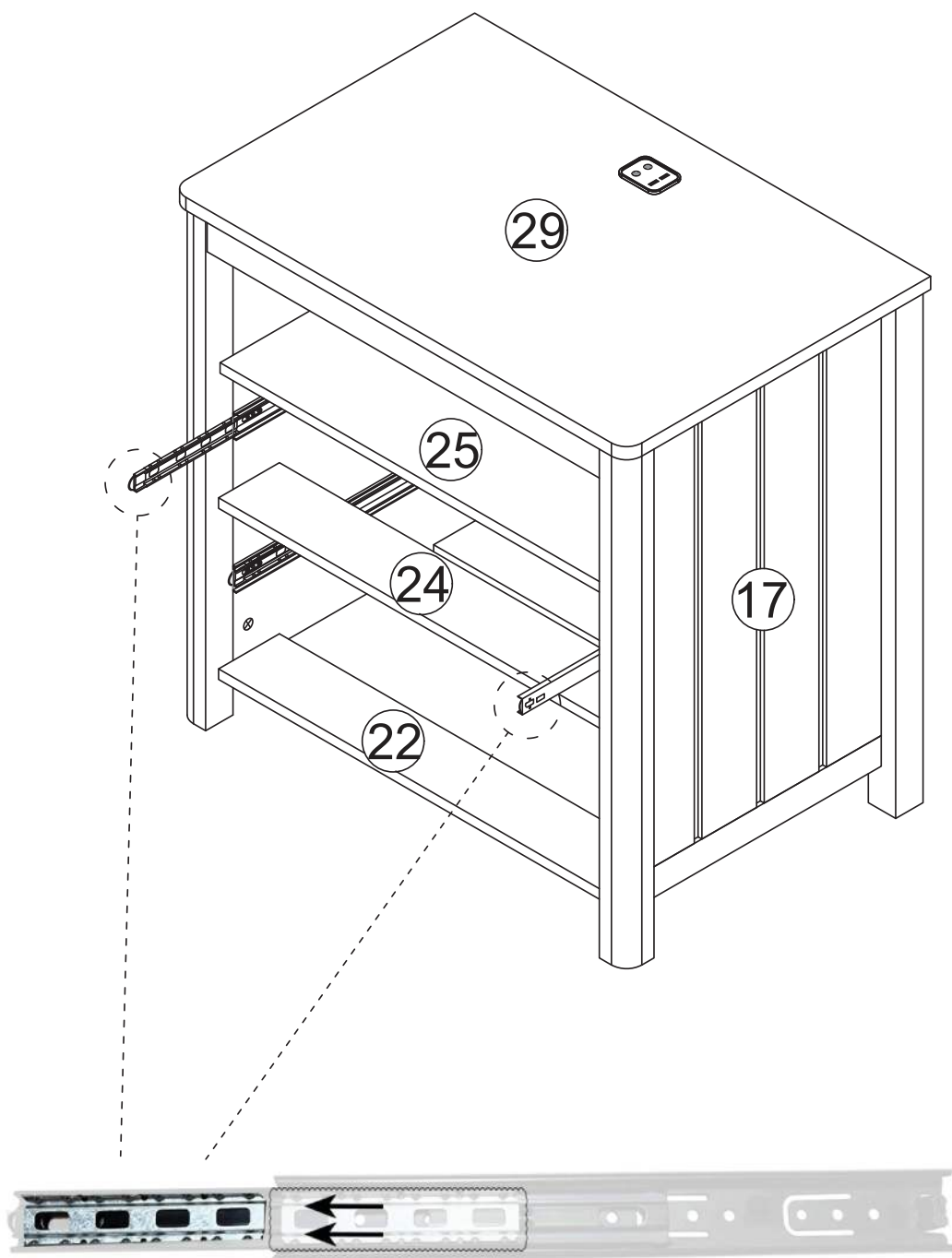
B  x4

B x4 



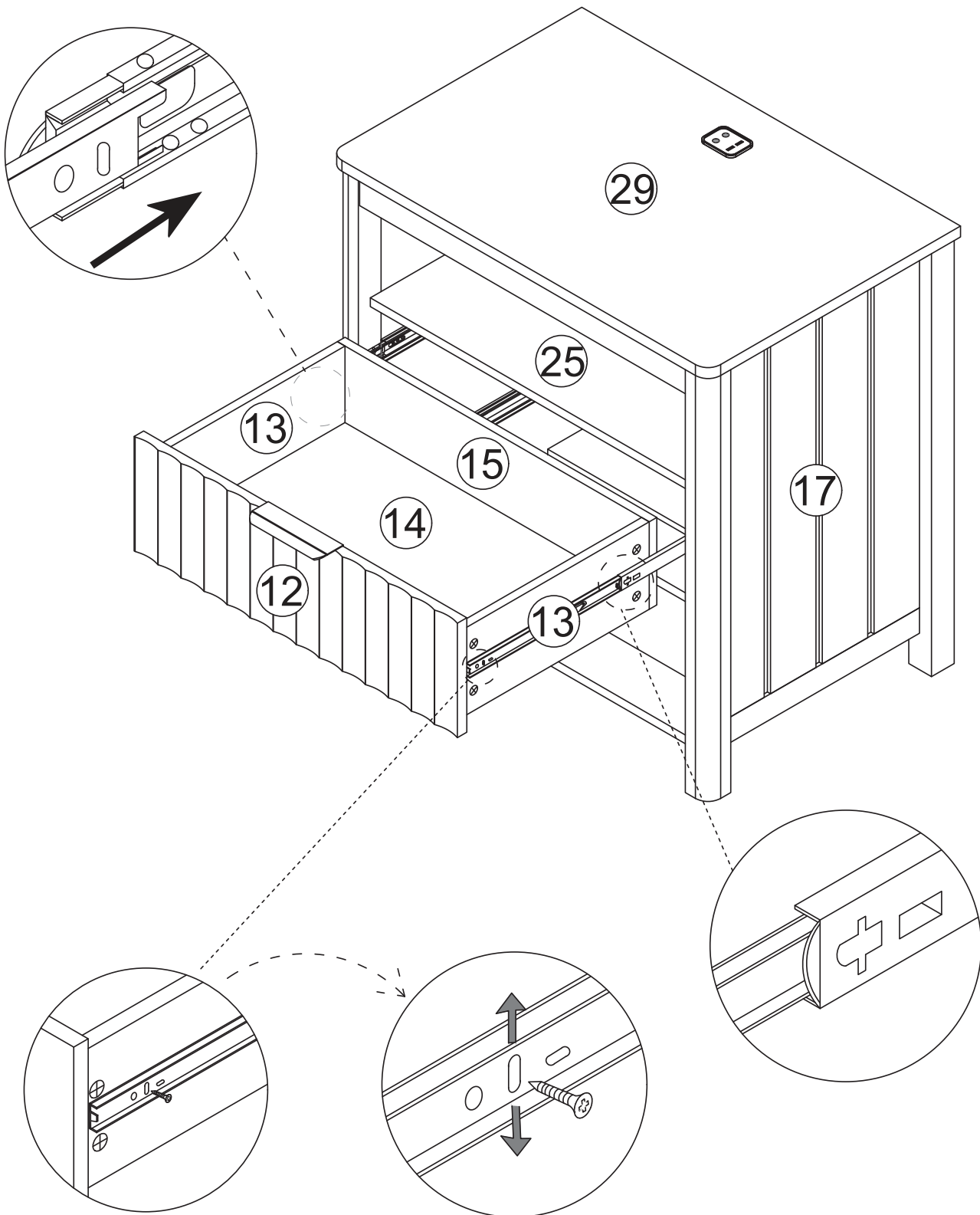
Thread the Lamp power cord through the hole on board No.27

Step 48



As shown, When installing the drawer,
pull the guide rail out first, Slide beads are also pulled out.

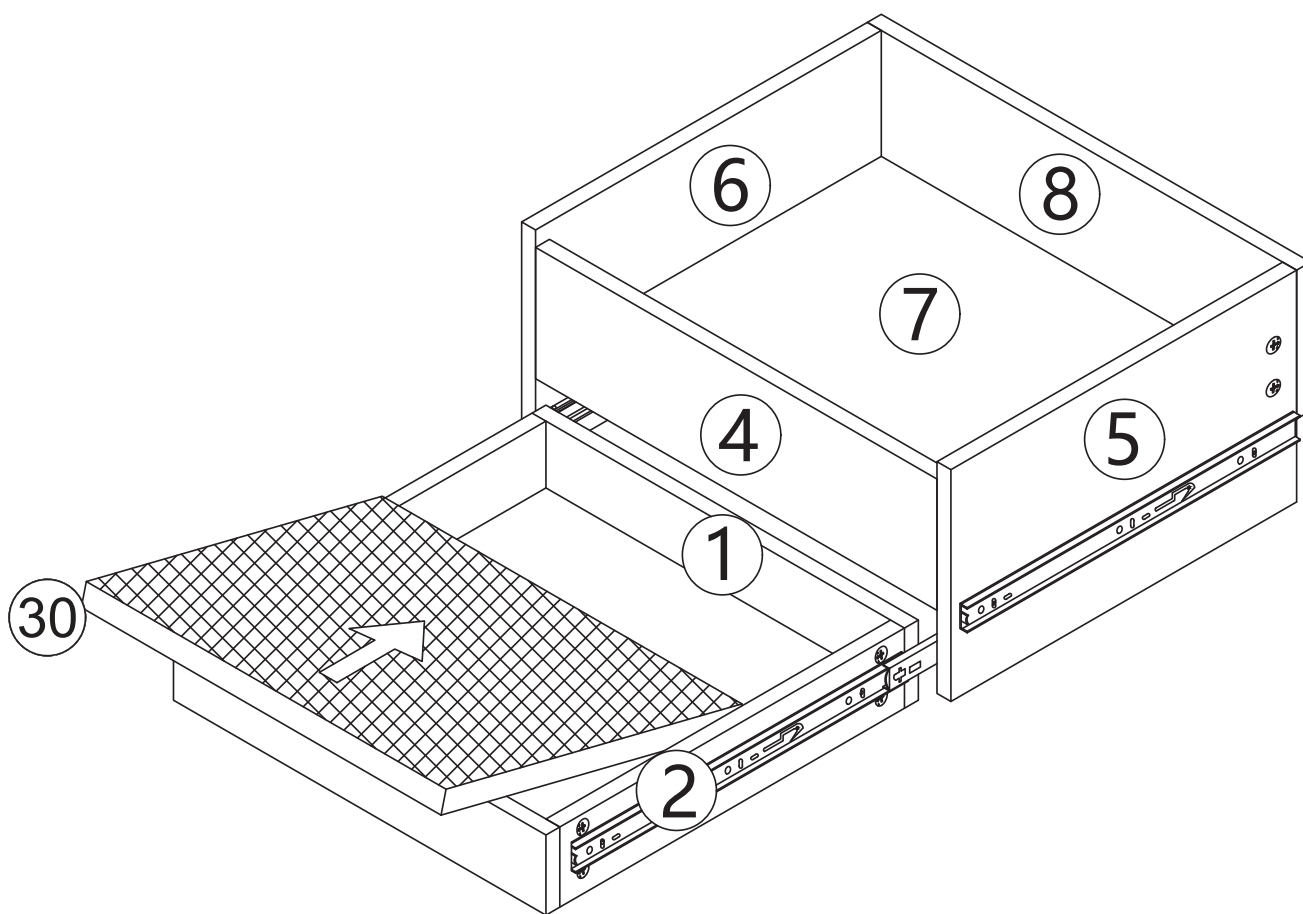
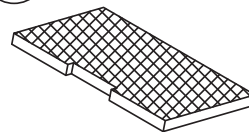
Step 49



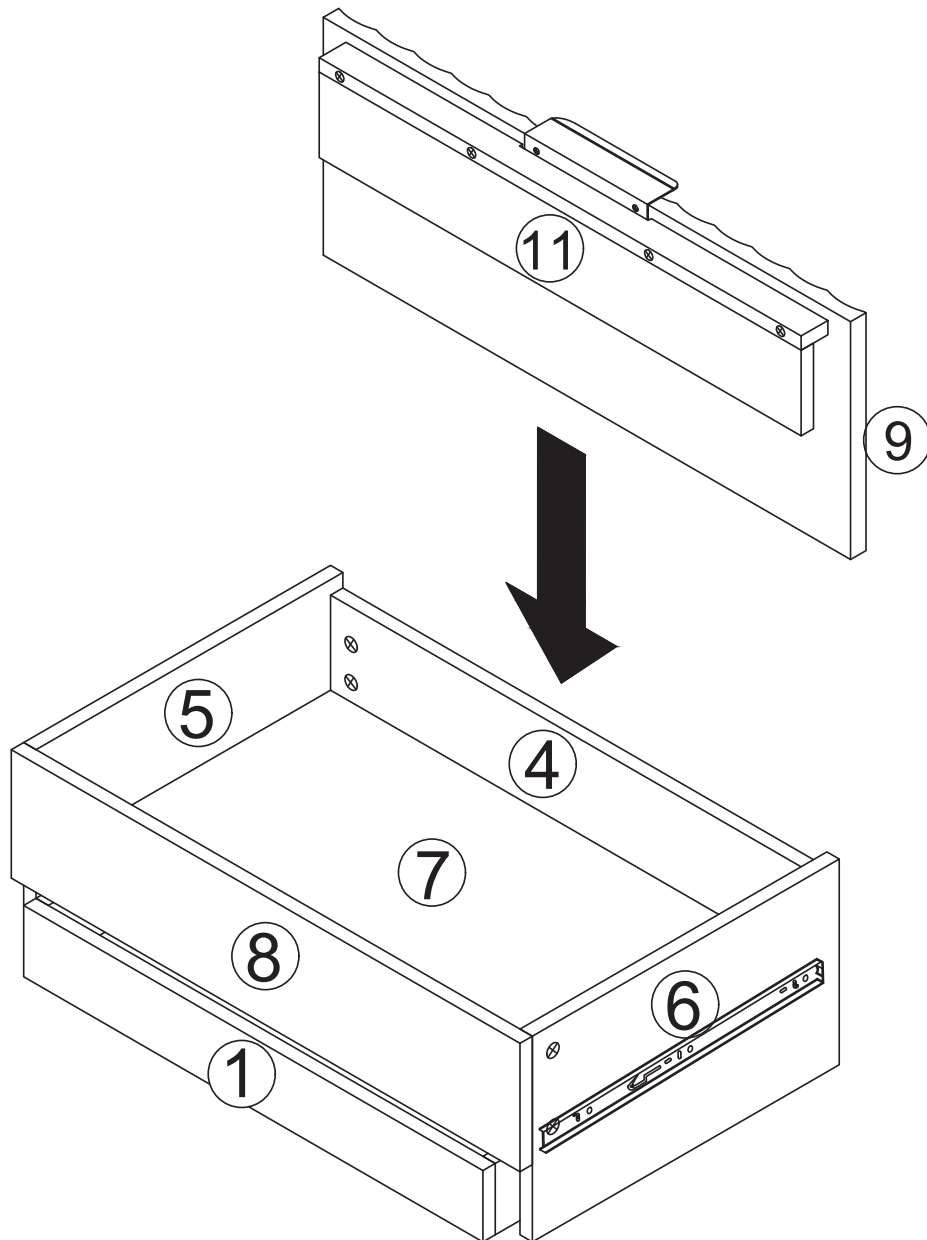
If a large gap is found after installing the drawer the slide rail can be moved up and down to adjust the gap

Step 50

30

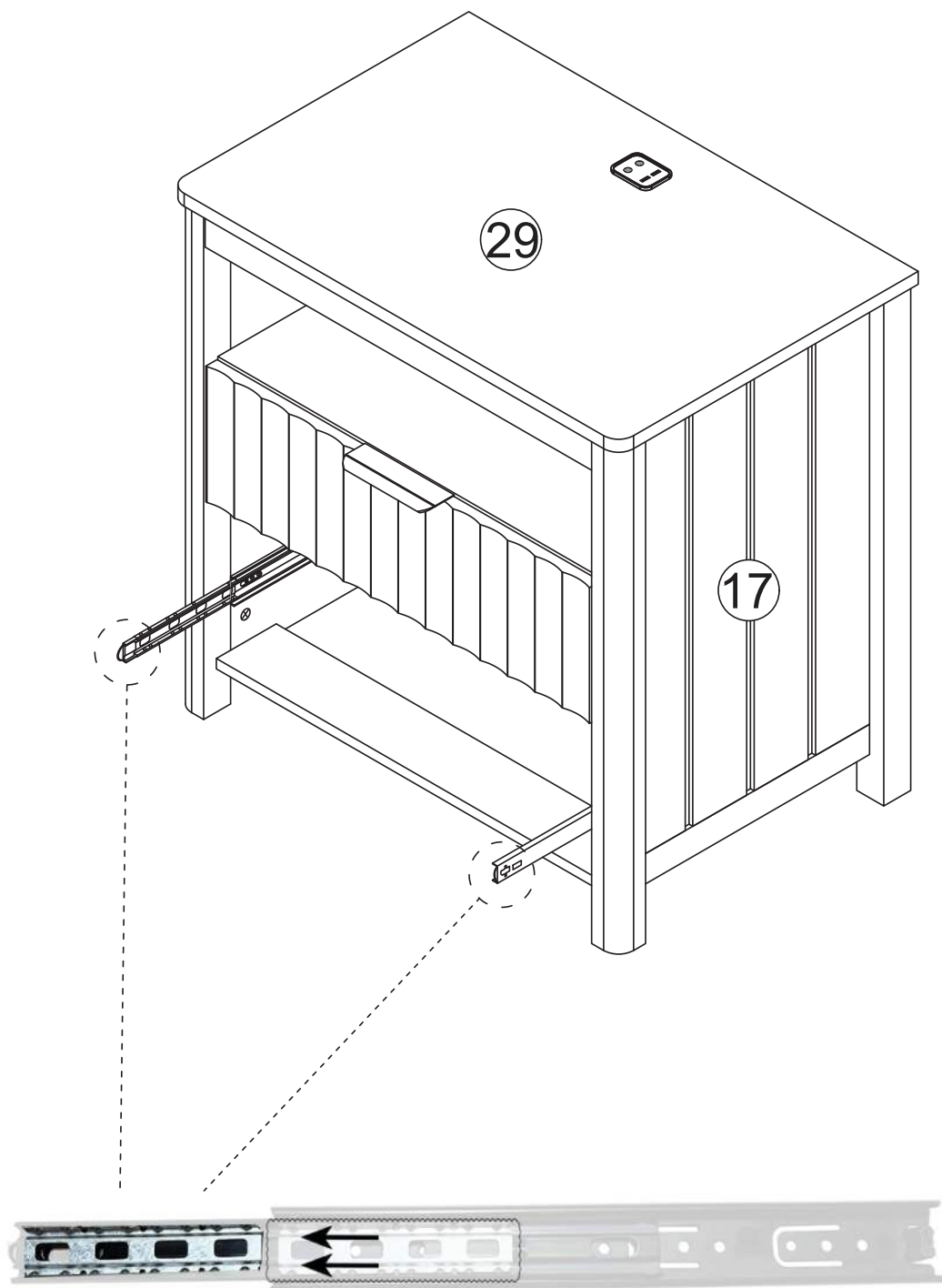


Step 51



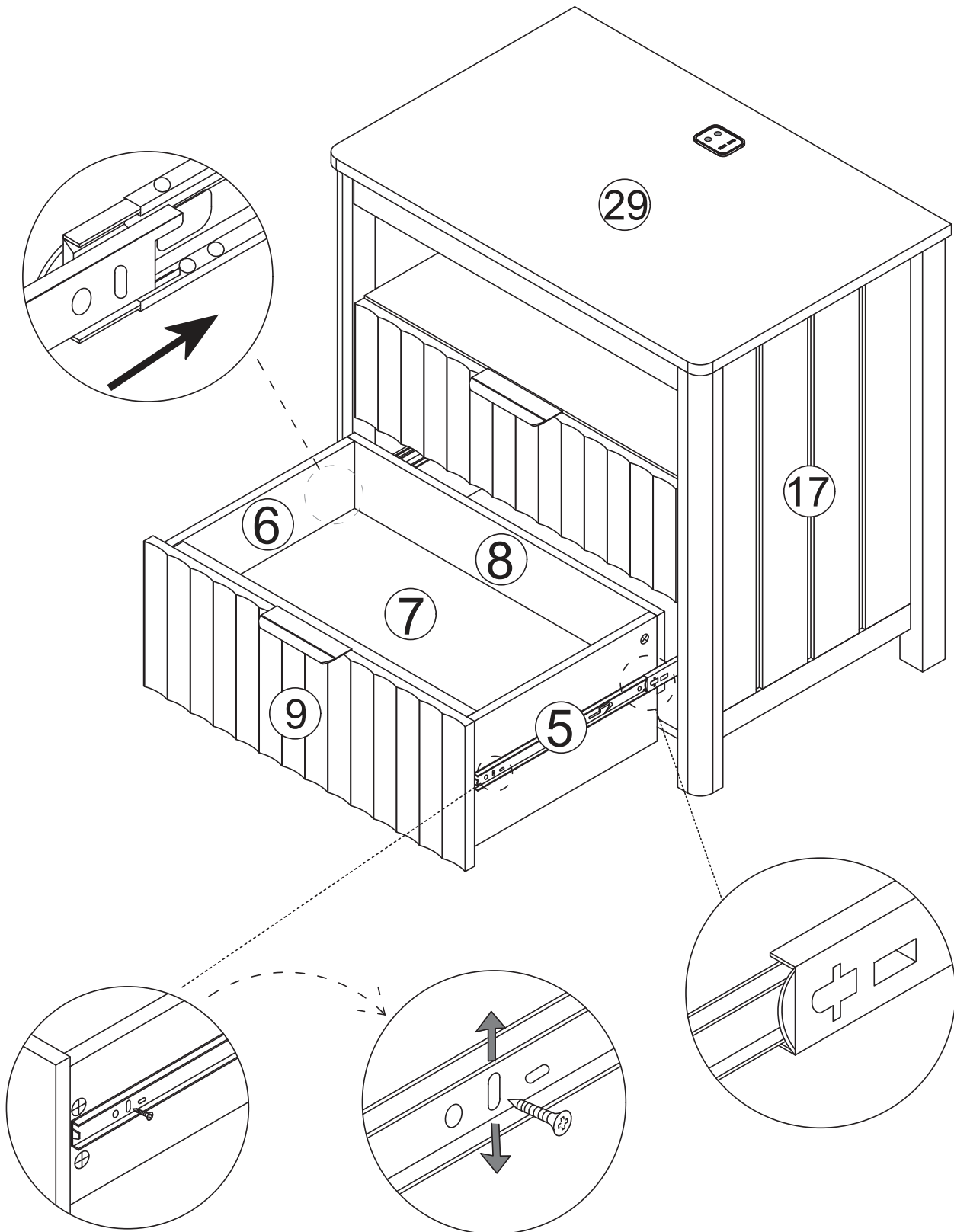
Place the drawer panel into the drawer slot and lock it securely.

Step 52



As shown, When installing the drawer,
pull the guide rail out first, Slide beads are also pulled out.

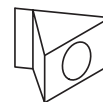
Step 53



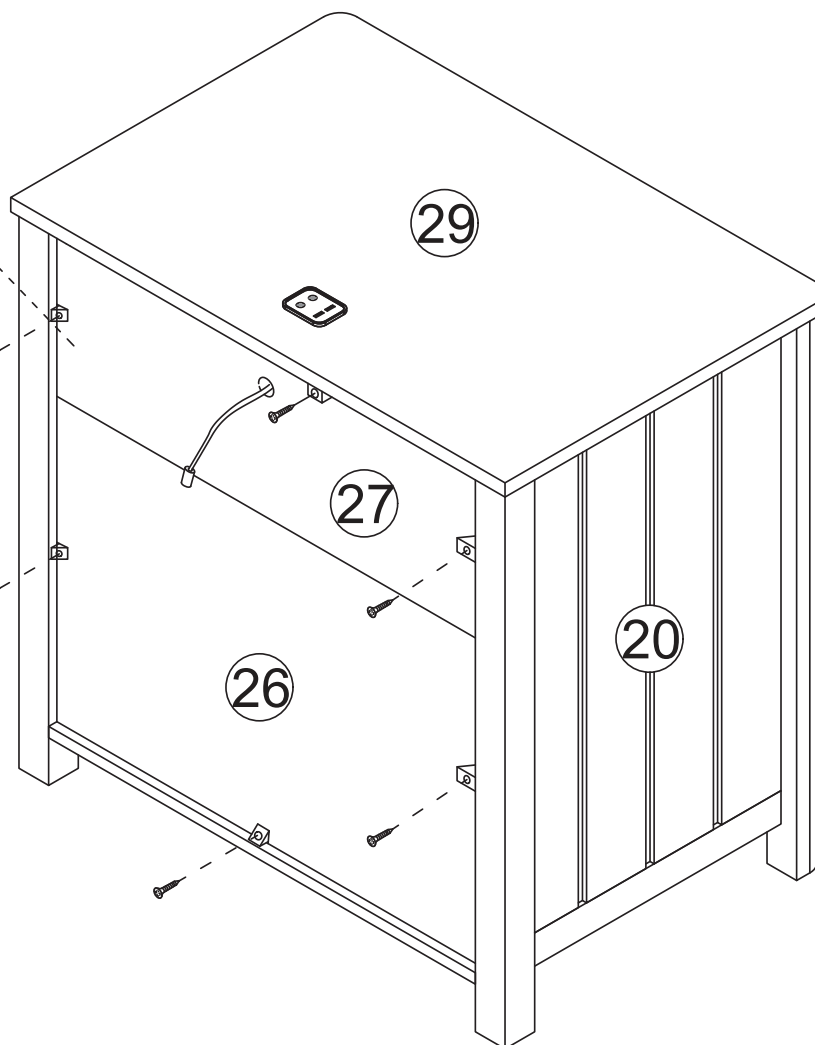
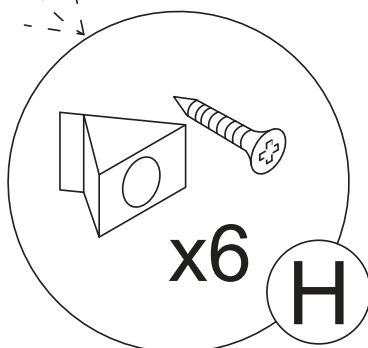
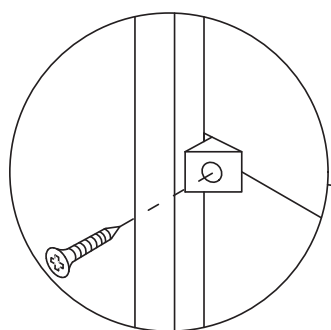
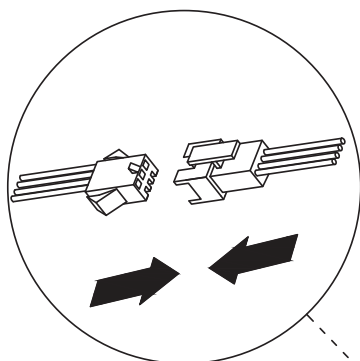
If a large gap is found after installing the drawer the slide rail can be moved up and down to adjust the gap

Step 54

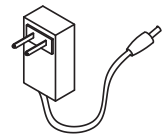
H



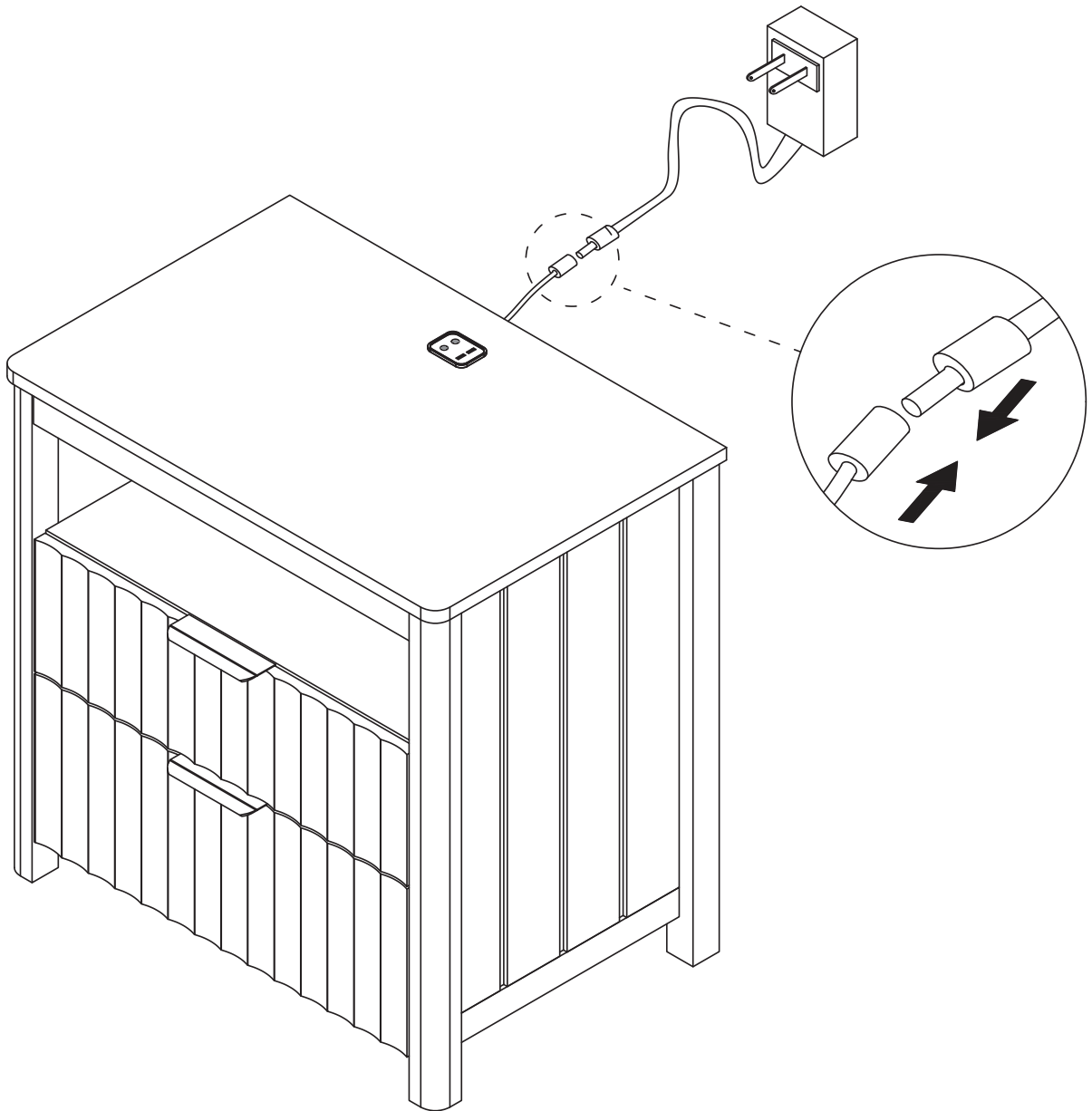
x6



Step 55



x1



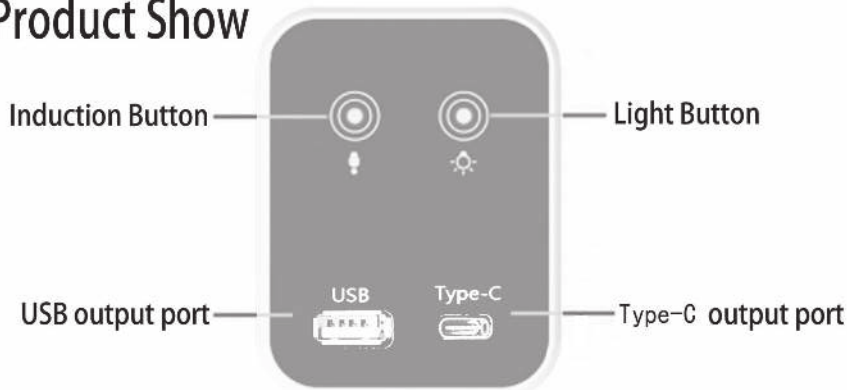
User's Guide

Thank you for purchasing this product. To use this product, please plug it into a 12V DC power supply. Please use if the product works normally after connecting to power.

Introduction

The box is an intelligent controller. It has 1 USB port and 1 type-C port and can distribute the current output up to 5V DC-2A. With 2 touch buttons, it can turn ON/OFF the light, change light colors, and adjust the light luminance.

Product Show



ATTENTION PLEASE

1. If there is no touch response suddenly, Re-plug the power to reset the touch static electricity.
2. If bubbles appear on the panel, remove the protective film.

Operation



This touch button is used to turn on/off, change colors, and adjust brightness.

A. Short touch -> lighting on -> short touch -> change light color -> short touch -> change light color -> short touch -> lighting off. **B.** Long touch -> adjust the luminance



This touch button is used to turn on/off the induction function.

A. Short touch to turn on the induction function. It can auto-turn on the light when people are close to the controller in 1 meters. It can auto power off the light when the body is far away from the controller after 30 seconds.

B. Long touch to turn off the induction function.

C. Note: When you touch the light button to change the light modes, the induction function will automatically turn off. It is best to turn on this function after selecting the light color and adjusting the brightness you want.